

0CW10-M51800EN

# P R E F A C E

1. This parts catalog is the 1st edition of 4TNV98T-ZSOM for OM Ltd.

Pub.No. : 0CW10-G51800

Published : June, 2009

2. Model name

Engine model	Vehicle	Vehicle made by
4TNV98T-ZSOM	FORK LIFT	OM Ltd.

## Directions for the Parts Catalog.

1. The parts stipulated in this Parts Catalog are not necessarily standard equipped parts.
2. Parts may change without prior notice.
3. The following is an example of the Parts Catalog format.

REF.	LEV.	PARTS NO.	DESCRIPTION	Q'TY						I	R
				(A)	(B)	(C)	(D)	(E)	(F)		
1	1	729595-51390	FUEL INJECTION PUMP	1	1	1	1	1			1
1-1	1	729595-51391	FUEL INJECTION PUMP	1	1	1	1	1		N	1
		(A=E00185) (B=E00200)									
3	2	26022-060162	SCREW M 6X 16	9	9	9	9	9			
3-1	2	26022-060162	SCREW M 6X 16	4	4	4	4	4		K	
		(A=E00156) (B=E00156) (C=E00156) (D=E00156) (E=E00156)									
4	2	129470-51040	CAMSHAFT	1	1	1	1	1			
5	2	122710-51050	BEARING, ROLLER	2	2	2	2	2			
6	2	129470-51060	RETAINER	1	1	1	1	1			

Remarks
(1) BOOST COMPEMSATOR TYPE. OPTIONAL PART, TO E00155,(4JH-DT, 4JH-DTZ

### ① Ref. No.

The Ref. No. listed may not be in accordance with the illustration Ref. No.

(Ex.) Illustration No.

List Ref No.

1 1 (Before change) → 1-1 (After change)

For interchangeable symbols N, R and K, illustrations for new parts may be abbreviated.

### ② Lev. (Level)

Level indication

The numbers below indicate the level of relativity towards the main part.

1 ---- Main parts (Assembly parts)

2 ---- Sub component included in " 1 ".

3 ---- Sub component included in " 2 ".

Note) Parts that are not for sale are partially illustrated but not listed.

### ③ Interchangeability Mark

When a part change takes place, one of the following interchangeability symbols is indicated beside the part.

Symbol	Interchangeability	Contents note
N	Old $\begin{matrix} \leftarrow \text{Yes} \\ \text{No} \rightarrow \end{matrix}$ New	New Part is interchangeable for Old Part but Old Part is not interchangeable for New Part.
Q	Old $\begin{matrix} \leftarrow \text{No} \\ \text{Yes} \rightarrow \end{matrix}$ New	New Part is not interchangeable for Old Part but Old Part is interchangeable for New Part.
R	Old $\begin{matrix} \leftarrow \text{Yes} \\ \text{Yes} \rightarrow \end{matrix}$ New	New/ Old Parts are both interchangeable.
S	Old $\begin{matrix} \leftarrow \text{No} \\ \text{No} \rightarrow \end{matrix}$ New	New/ Old Parts are both not interchangeable.
W		Part discontinued.
Z		Part newly added.
F		Not interchangeable by a single part but interchangeable together with related parts.
K		Changes only for used parts quantities.

### ④ Effective Machine No.

When a part changes, the effective Machine No. will be indicated in the (A)-(F) column.

Product Symbol	Product No.	Product Symbol	Product No.
C	Clutch No. Compressor No.	F	Machine No. (Agricultural Equip.)
D	Drive No.	M	Machine No.
E	Engine No.	Note 1)	Date

Note 1) A date may follow the symbol. (Ex.) 1996.01

Note 2) " XXX " are for parts that could not be predicted or for engine models that could not be identified.

Note 3) (A=E00185) is the E (Engine Serial Number) for the column (A) model (in this case 4JH-DT) after the parts design change.

### ⑤ Remarks Mark

Figures or alphabets (symbols) are entered in the remarks column.

The comments (remarks) on parts that are indicated at the bottom of the illustration are the same symbols as those stated above.

## Contents

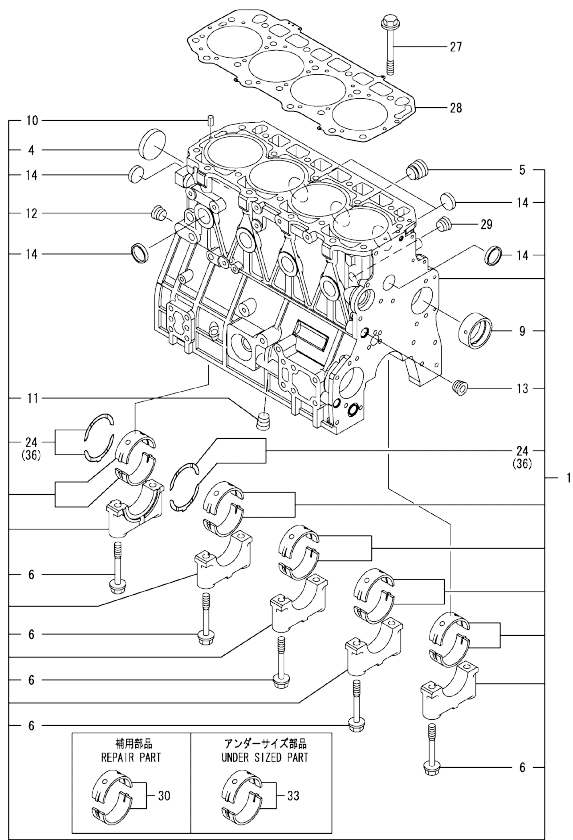
0CW10-M51800

Fig. No.	Fig. Name	Fig. No.	Fig. Name
4TNV98T-ZSOM			
1.	CYLINDER BLOCK		
2.	GEAR HOUSING		
3.	FLYWHEEL HOUSING & OIL SUMP		
4.	CYLINDER HEAD & BONNET		
5.	SUCTION MANIFOLD		
6.	EXHAUST MANIFOLD		
7.	CAMSHAFT & DRIVING GEAR		
8.	TURBINE		
9.	CRANKSHAFT & PISTON		
10.	LUB.OIL SYSTEM		
11.	LUB.OIL LINE		
12.	COOLING WATER SYSTEM		
13.	FUEL INJECTION PUMP		
14.	GOVERNOR		
15.	FUEL INJECTION VALVE		
16.	FUEL LINE		
17.	STARTING MOTOR		
18.	GENERATOR		
19.	ELECTRONIC CONTROL UNIT (ECU)		
20.	GASKET SET		

Fig.1. CYLINDER BLOCK

(A)=4TNV98T-ZSOM  
(B)=  
(C)=

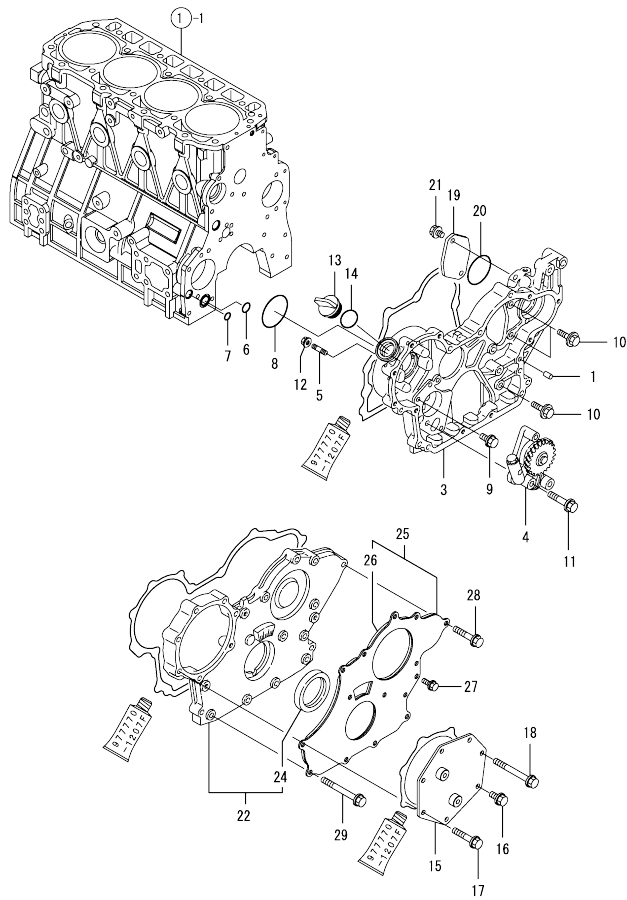
(D)=  
(E)=  
(F)=



No.	Lev.	Parts No.	Description	Q'ty						I	R
				(A)	(B)	(C)	(D)	(E)	(F)		
1	1	729928-01560	BLOCK ASSY, CYLINDER	1							
4	2	129900-01250	PLUG, 55	1							
5	2	171051-01921	PLUG, NPTF1	1							
6	2	129900-02020	BOLT, METAL CAP	10							
9	2	129900-02410	BUSH, CAMSHAFT	1							
10	2	22351-060012	PIN, SPRING 6.0X12	2							
11	2	23876-030000	PLUG, R03	1							
12	2	23876-030000	PLUG, R03	1							
13	2	23876-030000	PLUG, R03	1							
14	2	27241-300000	PLUG 30	8							
24	2	129900-02931	BEARING, THRUST	2							
27	1	129900-01200	BOLT, HEAD	18							
28	1	129907-01331	GASKET, HEAD	1							
29	1	23876-030000	PLUG, R03	1							
30	1	729900-02801	BEARING, MAIN	5							1
33	1	129900-02341	BEARING, 0.25 US	5							2
36	1	129900-02941	BEARING, THRUST 0.25	2							3

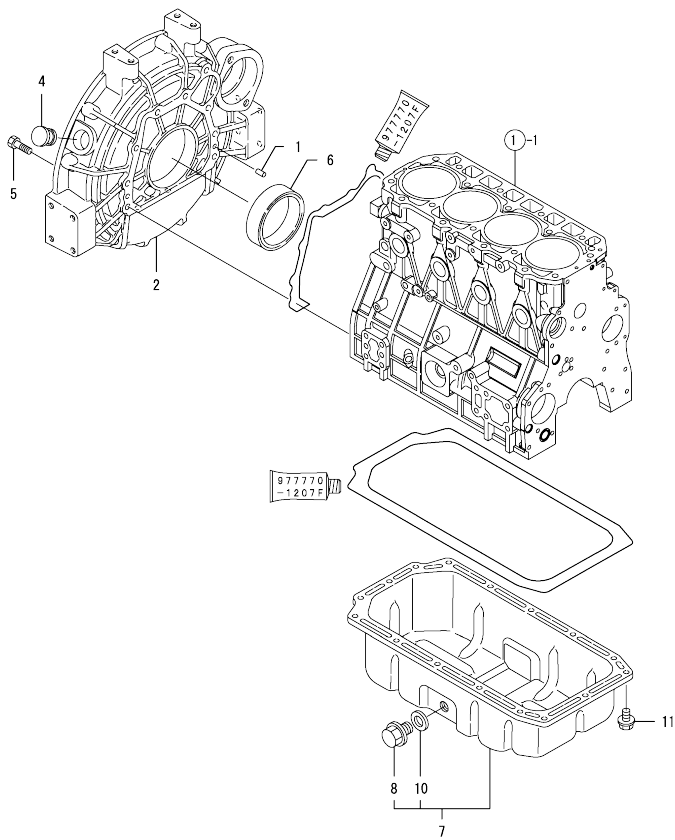
Remarks  
(1) REPAIR PART.  
(2) UNDER-SIZED(U.S=0.25)PART.  
(3) OVER-SIZED(O.S=0.25)PART.

Fig.2. GEAR HOUSING



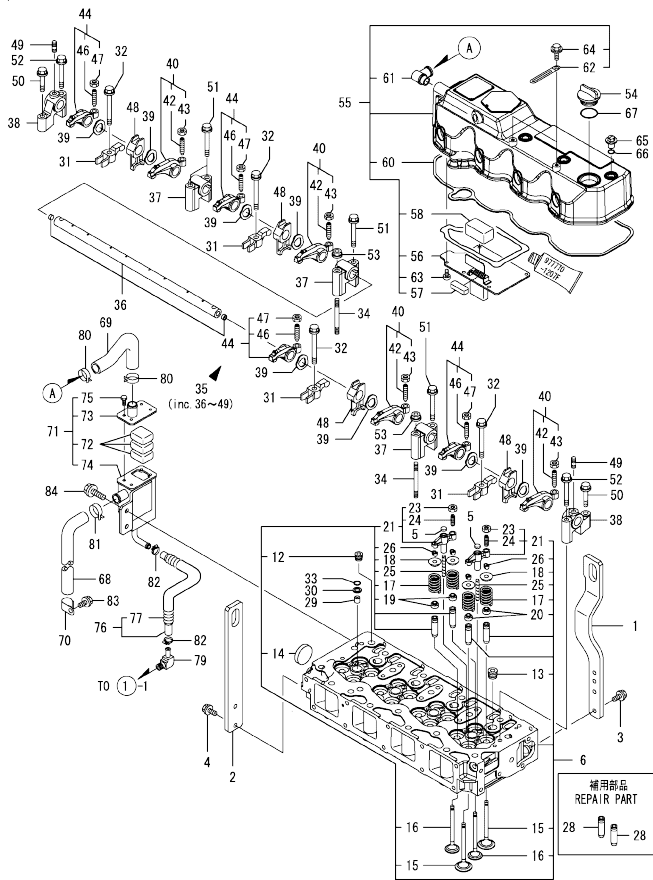
No.	Lev.	Parts No.	Description	Qty						I	R		
				(A)	(B)	(C)	(D)	(E)	(F)				
1	1	129100-01580	PIN, M8X16										
3	1	129972-01500	CASE, GEAR										
4	1	129908-32060	PUMP ASSY, OIL										
5	1	26216-100302	STUD, M10X 30										
6	1	129900-32030	O-RING, P20										
7	1	129900-32040	O-RING, P14										
8	1	24351-030750	O-RING, 1A3075										
9	1	26106-080162	BOLT, M8X 16 PLATED										
10	1	26106-080202	BOLT, M8X 20 PLATED										
11	1	26106-080452	BOLT, M8X 45 PLATED										
12	1	26306-100002	NUT, M10										
13	1	124160-01751	COVER, FILLER										
14	1	24311-000320	O-RING, 1AP32.0										
15	1	129973-42361	SUPPORT, PULLEY										
16	1	26106-080202	BOLT, M8X 20 PLATED										
17	1	26106-080452	BOLT, M8X 45 PLATED										
18	1	26106-080752	BOLT, M8X 75 PLATED										
19	1	129930-01870	COVER										
20	1	24321-000850	O-RING, 1AG85.0										
21	1	26106-100202	BOLT, M10X 20 PLATED										
22	1	729906-01550	COVER ASSY,GEAR CASE										
24	2	129916-01800	SEAL, OIL										
25	1	129900-01850	COVER ASSY,GEAR CASE										
26	2	129900-01870	SPONGE										
27	1	26106-080162	BOLT, M8X 16 PLATED										
28	1	26106-080402	BOLT, M8X 40 PLATED										
29	1	26106-080702	BOLT, M8X 70 PLATED										

Fig.3. FLYWHEEL HOUSING & OIL SUMP



No.	Lev.	Parts No.	Description	Q'ty						I	R	
				(A)	(B)	(C)	(D)	(E)	(F)			
1	1	129100-01580	PIN, M8X16		2							
2	1	129951-01620	HOUSING, FLYWHEEL	1								
4	1	119000-01840	PLUG, RUBBER	1								
5	1	26206-100352	BOLT, M10X 35 PLATED	9								
6	1	129916-01790	SEAL, D115/95XT11	1								
7	1	129982-01710	SUMP ASSY, OIL	1								
8	2	119640-01640	PLUG, DRAIN M22	1								
10	2	22190-220002	WASHER, SEAL 22	1								
11	1	26106-080122	BOLT, M8X 12 PLATED	16								

Fig.4. CYLINDER HEAD & BONNET



(A)=4TNV98T-ZSOM  
(B)=  
(C)=

(D)=  
(E)=  
(F)=

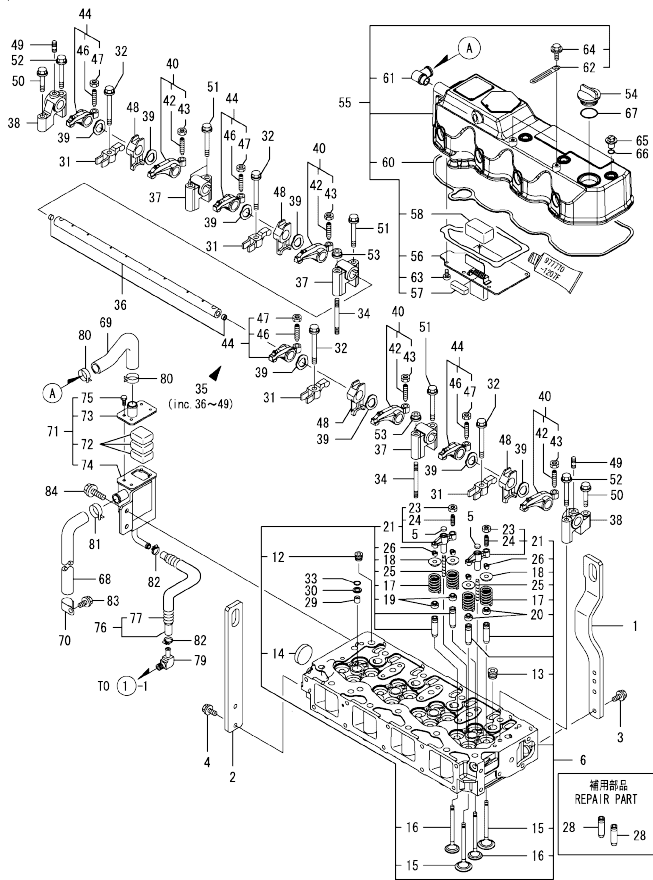
No.	Lev.	Parts No.	Description	Q'ty						I	R
				(A)	(B)	(C)	(D)	(E)	(F)		
1	1	129973-07901	LIFTER	1							
2	1	129973-07910	LIFTER	1							
3	1	26106-080202	BOLT, M8X 20 PLATED	2							
4	1	26106-080202	BOLT, M8X 20 PLATED	2							
5	1	123907-11550	SEAT, VALVE BRIDGE	8							
6	1	129928-11700	HEAD ASSY, CYLINDER	1							
12	2	23876-020000	PLUG, R02	1							
13	2	23876-030000	PLUG, R03	4							
14	2	27241-400000	PLUG, 40	1							
15	2	129907-11100	VALVE, INTAKE	8							
16	2	129907-11110	VALVE, EXHAUST	8							
17	2	129907-11120	SPRING, VALVE	16							
18	2	119620-11180	RETAINER, SPRING	16							
19	2	119803-11340	SEAL, VALVE STEM	8							
20	2	124160-11340	SEAL, VALVE STEM	8							
21	2	129907-11510	BRIDGE ASSY, VALVE	8							
23	3	129150-11750	NUT, M8	8							
24	3	123907-11830	ADJUSTER	8							
25	2	123907-11820	GUIDE	8							
26	2	27310-070001	COTTER, 7	16							
28	1	129907-11800	GUIDE, VALVE	16							1
29	1	119802-11870	PROTECTOR, NOZZLE	4							
30	1	119625-11880	SEAT, NOZZLE	4							
31	1	129907-11910	RETAINER, NOZZLE	4							
32	1	129907-11950	BOLT, M8X75	4							
33	1	24311-000120	O-RING, 1AP12.0	4							
34	1	119593-11301	STUD, M8X80	2							
35	1	129907-11341	SHAFT ASSY, ROCKER	1							
36	2	129907-11250	SHAFT, ROCKER ARM	1							
37	2	129907-11260	SUPPORT, ROCKER ARM	3							
38	2	129907-11270	SUPPORT, ROCKER ARM	2							
39	2	123907-11280	WASHER	8							
40	2	129907-11650	ARM, ROCKER	4							
42	3	129150-11230	SCREW, VALVE ADJUST	4							
43	3	129150-11750	NUT, M8	4							
44	2	129907-11660	ARM, ROCKER	4							
46	3	129150-11230	SCREW, VALVE ADJUST	4							
47	3	129150-11750	NUT, M8	4							
48	2	129907-11920	RETAINER	4							
49	2	26226-080222	STUD, M8X 22	2							
50	1	26106-080402	BOLT, M8X 40 PLATED	2							
51	1	26106-080602	BOLT, M8X 60 PLATED	4							
52	1	26106-080602	BOLT, M8X 60 PLATED	2							
53	1	26306-080002	NUT, M8	2							
54	1	124160-01751	COVER, FILLER	1							
55	1	129928-11320	BONNET ASSY, HEAD	1							
56	2	129907-03011	PLATE	1							
57	2	129907-03061	BAFFLE, BREATHER	1							
58	2	129907-03070	BAFFLE, BREATHER	1							
60	2	129933-11310	GASKET, BONNET	1							
61	2	119100-11330	ELBOW	1							

Remarks  
(1) REPAIR PART.

N:Old  $\frac{REV}{100}$  New, Q:Old  $\frac{REV}{100}$  New, R:Old  $\frac{REV}{100}$  New, S:Old  $\frac{REV}{100}$  New, W:Add, Z:Discontinued, F:Interchangeable by set, K:Q'ty Change  
 ++ CONTINUE ++  
 Copyright (C) YANMAR GLOBAL CS CO., LTD. All Rights Reserved.



Fig.4. CYLINDER HEAD & BONNET



(A)=4TNV98T-ZSOM  
(B)=  
(C)=

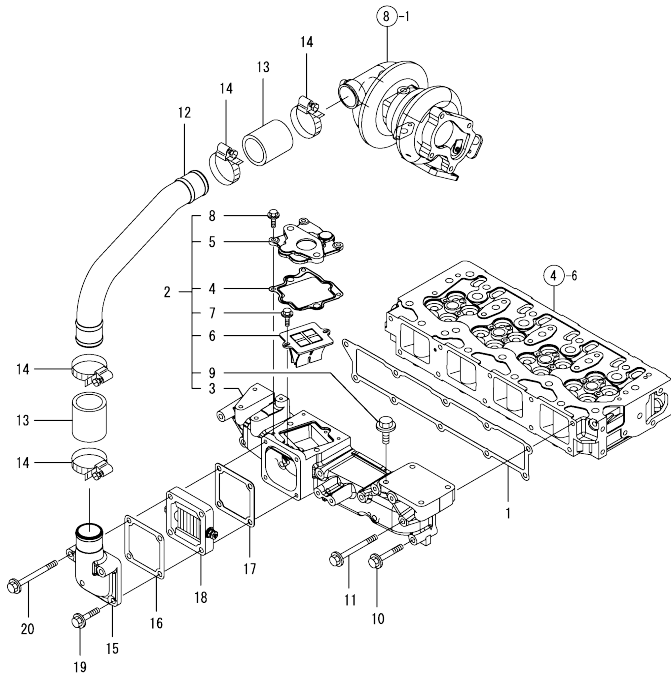
(D)=  
(E)=  
(F)=

No.	Lev.	Parts No.	Description	Q'ty						I	R
				(A)	(B)	(C)	(D)	(E)	(F)		
62	2	129509-79700	CLIP	2							
63	2	22857-500100	SCREW, 5X10	6							
64	2	26106-060122	BOLT, M6X 12 PLATED	2							
65	1	124160-11360	KNOB	4							
66	1	24311-000120	O-RING, 1AP12.0	4							
67	1	24311-000320	O-RING, 1AP32.0	1							
68	1	119006-03090	HOSE, BREATHER	1							
69	1	129908-03099	HOSE, BREATHER	1							
70	1	129150-03100	RETAINER, PIPE	1							
71	1	129908-03230	BREATHER ASSY	1							
72	2	123901-03240	FILTER	3							
73	2	129908-03240	COVER, BREATHER	1							
74	2	129908-03250	BREATHER	1							
75	2	26116-050102	BOLT, M5X 10 PLATED	4							
76	1	129935-03260	HOSE ASSY, RETURN	1							
77	2	129935-03270	TUBE, CORRUGATED	1							
79	1	123901-03280	ELBOW, PT3/8-10	1							
80	1	129410-03990	CLIP	2							
81	1	129960-03990	CLIP, HOSE 22	1							
82	1	23000-022000	CLAMP, 22	2							
83	1	26106-080122	BOLT, M8X 12 PLATED	1							
84	1	26106-080142	BOLT, M8X 14 PLATED	2							

Remarks  
(1) REPAIR PART.

N:Old  $\frac{100}{100}$  New, Q:Old  $\frac{100}{100}$  New, R:Old  $\frac{100}{100}$  New, S:Old  $\frac{100}{100}$  New, W:Add, Z:Discontinued, F:Interchangeable by set, K:Qty Change  
Copyright (C) YANMAR GLOBAL CS CO., LTD. All Rights Reserved.

Fig.5. SUCTION MANIFOLD

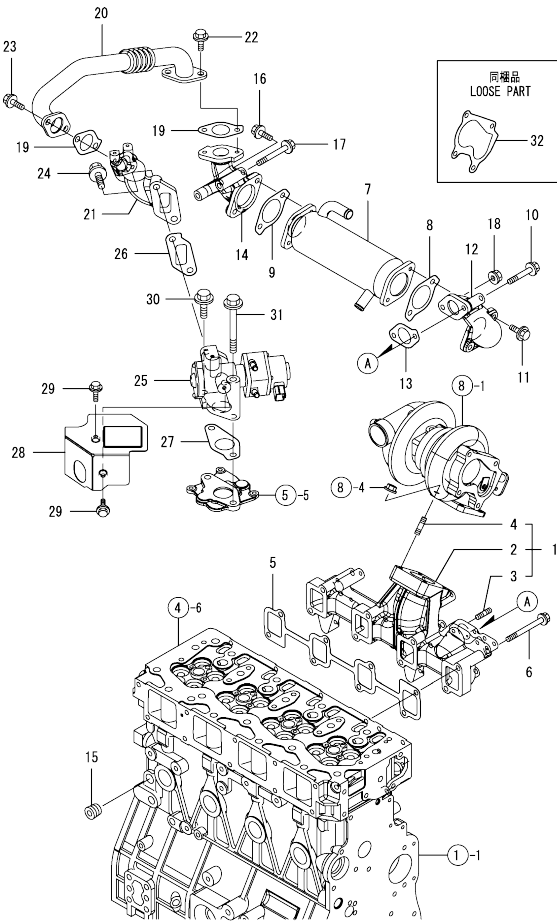


(A)=4TNV98T-ZSOM  
(B)=  
(C)=

(D)=  
(E)=  
(F)=

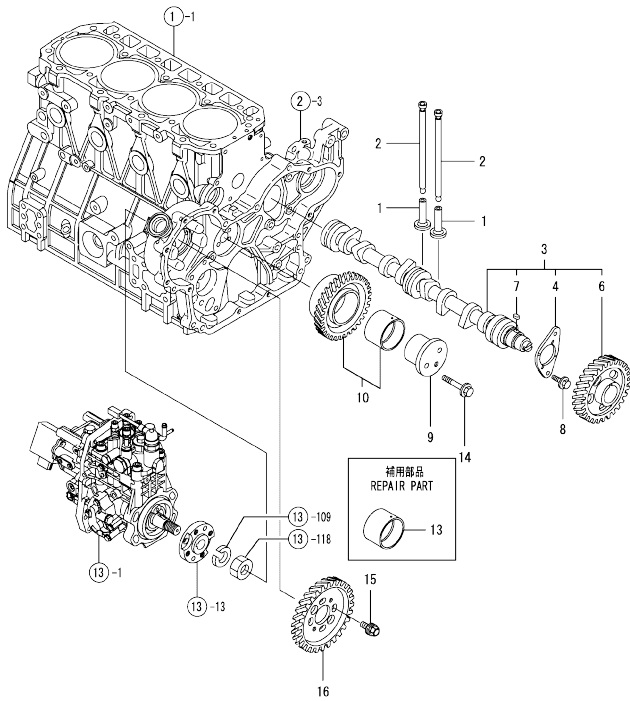
No.	Lev.	Parts No.	Description	Q'ty						I	R
				(A)	(B)	(C)	(D)	(E)	(F)		
1	1	129907-12110	GASKET, MANIFOLD	1							
2	1	129973-12160	MANIFOLD ASSY,INTAKE	1							
3	2	129973-12100	MANIFOLD, AIR INTAKE	1							
4	2	129973-12110	GASKET	1							
5	2	129973-12200	SPACER	1							
6	2	129928-13700	VALVE	1							
7	2	26106-060142	BOLT, M6X 14 PLATED	2							
8	2	26106-060182	BOLT, M6X 18 PLATED	3							
9	2	26106-100162	BOLT, M10X 16 PLATED	1							
10	1	26106-080552	BOLT, M8X 55 PLATED	5							
11	1	26106-080852	BOLT, M8X 85 PLATED	5							
12	1	129973-18200	DUCT, AIR	1							
13	1	123951-18220	JOINT, RUBBER	2							
14	1	23000-054000	CLAMP, 54	4							
15	1	129973-12850	BEND, INTAKE	1							
16	1	119129-77020	GASKET	1							
17	1	121850-77021	GASKET	1							
18	1	119005-77051	HEATER	1							
19	1	26106-080402	BOLT, M8X 40 PLATED	2							
20	1	26106-080702	BOLT, M8X 70 PLATED	2							

Fig.6. EXHAUST MANIFOLD



No.	Lev.	Parts No.	Description	Qty						I	R
				(A)	(B)	(C)	(D)	(E)	(F)		
1	1	129973-13150	MANIFOLD ASSY	1							
2	2	129973-13101	MANIFOLD, EXHAUST	1							
3	2	129418-18320	STUD, M8X20	1							
4	2	129418-18320	STUD, M8X20	4							
5	1	129900-13251	GASKET	1							
6	1	123900-13630	BOLT, M8X80	8							
7	1	129973-13400	COOLER, EGR	1							
8	1	129928-13410	GASKET	1							
9	1	129928-13410	GASKET	1							
10	1	119802-13620	BOLT, M8X50	1							
11	1	119802-13790	BOLT, M8X25 10.9T	2							
12	1	129973-13800	BEND	1							
12-1	1	129973-13801	BEND,EGR COOLER IN	1							N
(A=EZZZZZ)											
13	1	129927-13810	GASKET	1							
14	1	129973-13810	BEND	1							
14-1	1	129973-13811	BEND,EGR COOLER OUT	1							N
(A=EZZZZZ)											
15	1	23876-030000	PLUG, R03	1							
16	1	26106-080222	BOLT, M8X 22 PLATED	2							
17	1	26106-080652	BOLT, M8X 65 PLATED	2							
18	1	26306-080002	NUT, M8	1							
19	1	129927-13810	GASKET	2							
20	1	129973-13820	PIPE ASSY	1							
21	1	129973-13840	PIPE	1							
22	1	26106-080162	BOLT, M8X 16 PLATED	2							
23	1	26106-080162	BOLT, M8X 16 PLATED	2							
24	1	26106-100302	BOLT, M10X 30 PLATED	2							
25	1	129927-13900	VALVE	1							
26	1	129927-13910	GASKET	1							
27	1	129927-13920	GASKET	1							
28	1	129973-13961	COVER	1							
29	1	26106-060162	BOLT, M6X 16 PLATED	2							
30	1	26106-100402	BOLT, M10X 40 PLATED	1							
31	1	26106-101052	BOLT, M10X105 PLATED	1							
32	1	123901-18080	GASKET	1							

Fig.7. CAMSHAFT & DRIVING GEAR



(A)=4TNV98T-ZSOM  
(B)=  
(C)=

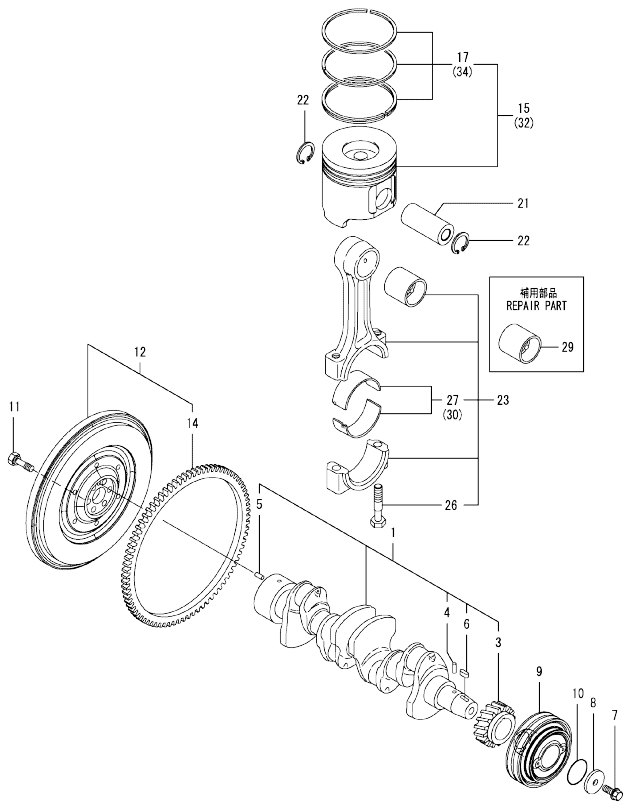
(D)=  
(E)=  
(F)=

No.	Lev.	Parts No.	Description	Q'ty						I	R
				(A)	(B)	(C)	(D)	(E)	(F)		
1	1	129150-14200	TAPPET	8							
2	1	129907-14400	ROD, PUSH	8							
3	1	129908-14581	CAMSHAFT ASSY	1							
4	2	129150-02450	BEARING, THRUST	1							
6	2	129900-14100	GEAR, CAMSHAFT	1							
7	2	22512-070140	KEY, 7X 14	1							
8	1	26106-080162	BOLT, M8X 16 PLATED	2							
9	1	123900-25060	SHAFT, IDLE GEAR	1							
10	1	129900-25100	GEAR ASSY, IDLE	1							
13	1	129150-25920	BUSH, IDLE GEAR	1							1
14	1	26106-080552	BOLT, M8X 55 PLATED	3							
15	1	129953-25300	BOLT	4							
16	1	129907-25900	GEAR, PUMP	1							

Remarks  
(1) REPAIR PART.



Fig.9. CRANKSHAFT & PISTON



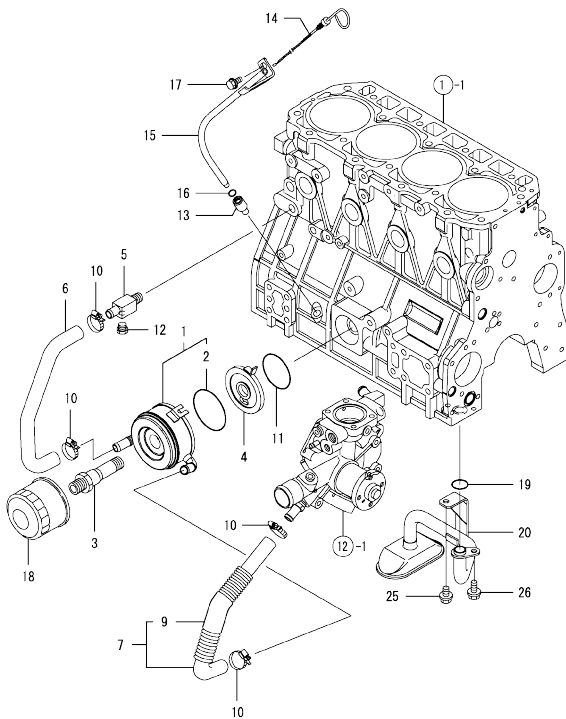
Remarks  
 (1) REPAIR PART.  
 (2) UNDER-SIZED(U.S=0.25)PART.  
 (3) OVER-SIZED(O.S=0.25)PART.

No.	Lev.	Parts No.	Description	Q'ty						I	R
				(A)	(B)	(C)	(D)	(E)	(F)		
1	1	129908-21000	CRANKSHAFT ASSY	1							
3	2	129900-21200	GEAR, CRANKSHAFT	1							
4	2	121850-21290	PIN	1							
5	2	121850-21920	PIN, M10X22	1							
6	2	22512-070140	KEY, 7X 14	1							
7	1	129916-21610	BOLT	1							
8	1	129960-21640	WASHER	1							
9	1	129973-21660	V-PULLEY	1							
10	1	24341-000530	O-RING, 1AS53.0	1							
11	1	121850-21130	BOLT, FLYWHEEL	6							
12	1	129948-21510	FLYWHEEL ASSY	1							
14	2	127410-21480	GEAR, RING Z=129	1							
15	1	129928-22080	PISTON ASSY	4							
17	2	129927-22050	RING SET, PISTON	4							
21	1	120130-22301	PIN, PISTON	4							
22	1	22252-000300	RING, 30	8							
23	1	129900-23001	ROD ASSY, CONNECTING	4							
26	2	129900-23200	BOLT, CONNECTING ROD	8							
27	2	129900-23601	BEARING, CRANK PIN	4							
29	1	129900-23911	BEARING, PISTON PIN	4							1
30	1	129900-23611	BEARING, 0.25 US	4							2
32	1	729928-22900	PISTON ASSY, 0.25 OS	4							3
34	2	729927-22950	RING SET, 0.25 OS	4							3

Fig.10. LUB.OIL SYSTEM

(A)=4TNV98T-ZSOM  
(B)=  
(C)=

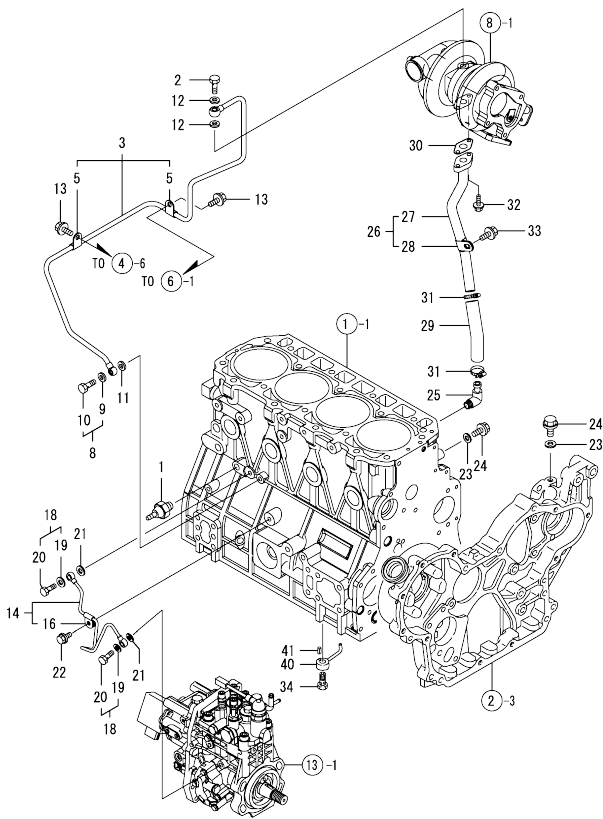
(D)=  
(E)=  
(F)=



No.	Lev.	Parts No.	Description	Q'ty						I	R
				(A)	(B)	(C)	(D)	(E)	(F)		
1	1	129908-33010	COOLER ASSY, OIL	1							
2	2	123912-33050	O-RING	1							
3	1	123912-33100	BOLT, COOLER	1							
4	1	129908-33101	BRACKET, COOLER	1							
5	1	129006-44480	JOINT	1							
6	1	129908-49060	PIPE, WATER	1							
7	1	123910-49600	PIPE, WATER	1							
9	2	123910-49610	TUBE, CORRUGATED	1							
10	1	23000-025000	CLAMP, 25	4							
11	1	24321-000600	O-RING, 1AG60.0	1							
12	1	171056-49120	PLUG, DRAIN	1							
13	1	119260-34810	GUIDE, DIPSTICK	1							
14	1	129907-34811	DIPSTICK, OIL	1							
15	1	129928-34870	GUIDE, DIPSTICK	1							
16	1	24316-240100	O-RING, 4DP10A	1							
17	1	26106-080162	BOLT, M8X 16 PLATED	1							
18	1	129150-35153	FILTER 80X80L	1							1
19	1	129900-32030	O-RING, P20	1							
20	1	129953-35000	PIPE ASSY, OIL INLET	1							
25	1	26106-080122	BOLT, M8X 12 PLATED	1							
26	1	26106-080162	BOLT, M8X 16 PLATED	1							

Remarks  
(1) REPAIR PART.

Fig.11. LUB.OIL LINE



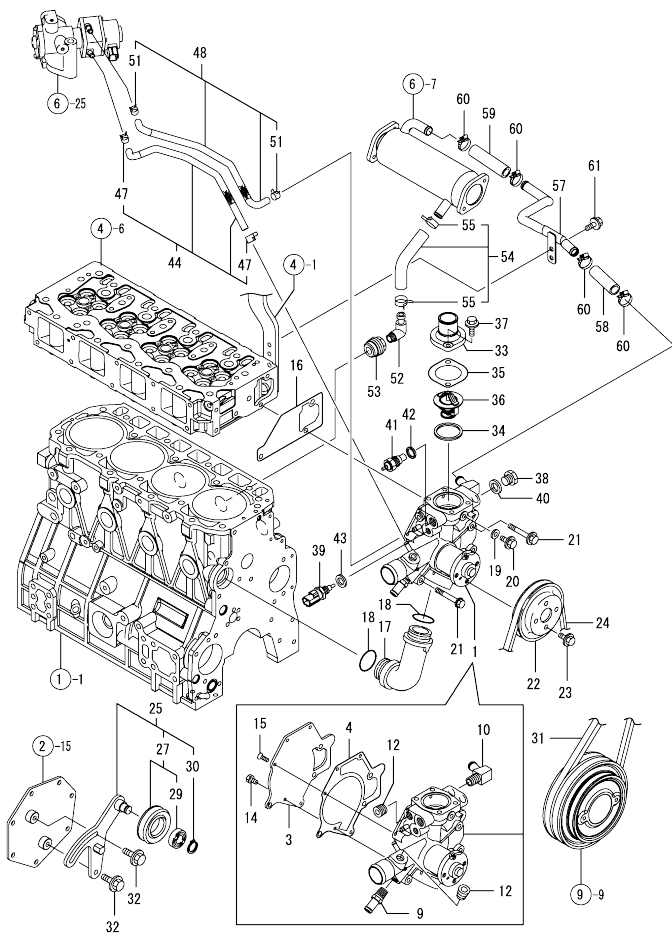
(A)=4TNV98T-ZSOM  
(B)=  
(C)=

(D)=  
(E)=  
(F)=

No.	Lev.	Parts No.	Description	Q'ty						I	R
				(A)	(B)	(C)	(D)	(E)	(F)		
1	1	114250-39450	SWITCH, 0.5KG	1							
2	1	121252-39150	BOLT, JOINT M10X1.5	1							
3	1	129973-39450	PIPE ASSY, OIL	1							
5	2	124223-39900	RETAINER	2							
8	1	129005-59830	BOLT ASSY, JOINT M8	1							
9	2	22190-080002	WASHER, SEAL 6	1							
10	2	23857-030000	BOLT, JOINT 3	1							
11	1	22190-080002	WASHER, SEAL 6	1							
12	1	23414-100000	GASKET, 10X1.0	2							
13	1	26106-080122	BOLT, M8X 12 PLATED	2							
14	1	129927-39060	PIPE ASSY, OIL	1							
16	2	123907-39500	RETAINER	1							
18	1	129005-59830	BOLT ASSY, JOINT M8	2							
19	2	22190-080002	WASHER, SEAL 6	2							
20	2	23857-030000	BOLT, JOINT 3	2							
21	1	22190-080002	WASHER, SEAL 6	2							
22	1	26106-080122	BOLT, M8X 12 PLATED	1							
23	1	22190-080002	WASHER, SEAL 6	2							
24	1	26106-080122	BOLT, M8X 12 PLATED	2							
25	1	124070-13300	ELBOW, PT3/8	1							
26	1	129973-39610	PIPE ASSY, OIL	1							
27	2	129973-39650	PIPE, OIL	1							
28	2	123910-39850	RETAINER	1							
29	1	129973-39640	JOINT	1							
30	1	129908-39690	GASKET	1							
31	1	23000-025000	CLAMP, 25	2							
32	1	26106-060162	BOLT, M6X 16 PLATED	2							
33	1	26106-080122	BOLT, M8X 12 PLATED	1							
34	1	129908-39410	VALVE ASSY, CHECK	4							
40	1	119000-39650	NOZZLE	4							
41	1	22351-030010	PIN, SPRING 3.0X10	4							



Fig.12. COOLING WATER SYSTEM

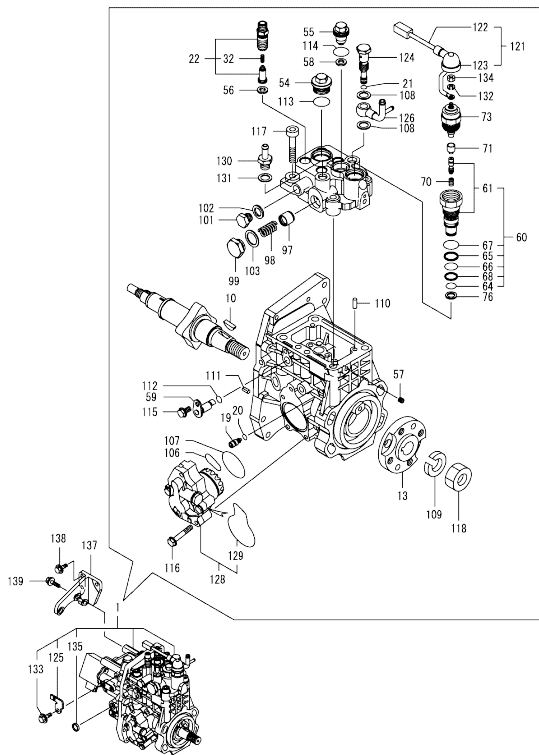


(A)=4TNV98T-ZSOM  
(B)=  
(C)=

(D)=  
(E)=  
(F)=

No.	Lev.	Parts No.	Description	Qty						I	R
				(A)	(B)	(C)	(D)	(E)	(F)		
1	1	129948-42020	PUMP ASSY, WATER	1							
3	2	129900-42161	COVER	1							
4	2	129900-42170	GASKET	1							
9	2	129963-49300	JOINT, D14	1							
10	2	129973-49410	ELBOW, R3/8	1							
12	2	129916-49740	PLUG, R03	2							
14	2	26116-060162	BOLT, M6X 16 PLATED	2							
15	2	26577-060162	SCREW, M6X16	3							
16	1	129900-42061	GASKET, WATER PUMP	1							
17	1	129900-42070	PIPE, WATER	1							
18	1	129900-42140	O-RING, P36	2							
19	1	23414-080000	GASKET, 8X1.0	1							
20	1	26106-080122	BOLT, M8X 12 PLATED	1							
21	1	26106-080552	BOLT, M8X 55 PLATED	3							
22	1	129973-42350	V-PULLEY, D=115	1							
23	1	26106-080142	BOLT, M8X 14 PLATED	4							
24	1	129948-42250	V-BELT, A43	1							
25	1	129973-42400	PULLEY ASSY, TENSION	1							
27	2	129457-96200	PULLEY ASSY, TENSION	1							
29	3	24104-062024	BEARING, BALL 6202UU	1							
30	2	22242-000150	RING, 15	1							
31	1	25152-004100	V-BELT, A41	1							
32	1	26106-100162	BOLT, M10X 16 PLATED	2							
33	1	129981-49531	COVER, THERMOSTAT	1							
34	1	121850-49550	GASKET, THERMOSTAT	1							
35	1	129900-49560	GASKET	1							
36	1	121850-49810	THERMOSTAT, 71	1							
37	1	26106-080252	BOLT, M8X 25 PLATED	2							
38	1	121450-42450	PLUG, M16	1							
39	1	129927-44900	SENSOR	1							
40	1	124465-44950	GASKET, 16	1							
41	1	124250-49351	SENSOR	1							
42	1	129150-49360	GASKET	1							
43	1	22190-120002	WASHER, SEAL 12	1							
44	1	129973-49610	PIPE ASSY, WATER	1							
47	2	23080-012000	CLAMP, 12	2							
48	1	129973-49620	PIPE ASSY, WATER	1							
51	2	23080-012000	CLAMP, 12	2							
52	1	124070-13300	ELBOW, PT3/8	1							
53	1	129973-49110	JOINT	1							
54	1	129973-49740	PIPE ASSY, WATER	1							
55	2	129960-03990	CLIP, HOSE 22	2							
57	1	129973-49760	PIPE, WATER	1							
58	1	129973-49770	JOINT	1							
59	1	129973-49780	JOINT	1							
60	1	23000-022000	CLAMP, 12	4							
61	1	26106-080122	BOLT, M8X 12 PLATED	2							

Fig.13. FUEL INJECTION PUMP



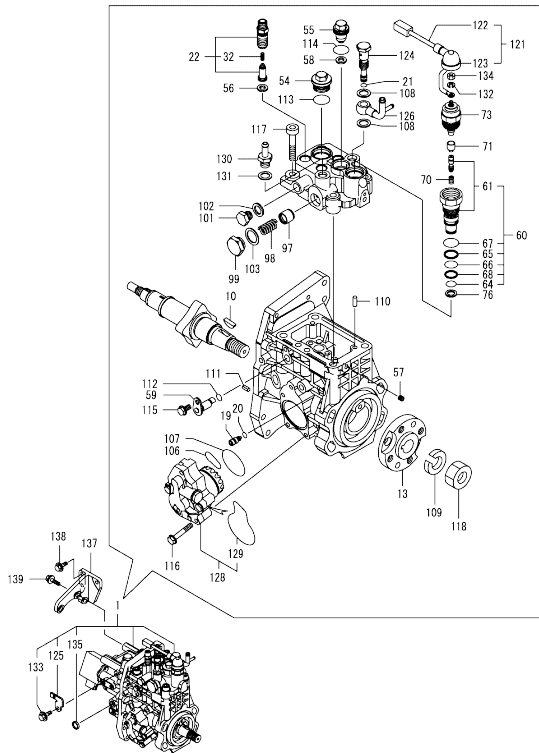
Remarks

(1) GOVERNOR ASSY (FIG.14) IS INCORPORATED IN THIS FUEL INJECTION PUMP (REF.NO.1).  
 (1) ECO PUMP.  
 MAKE SURE TO UPDATE THE ENGINES ECU INFORMATION WHEN REPLACING THE ECO PUMP.  
 FAILING TO DO SO WILL RESULT IN ENGINE MALFUNCTION.

No.	Lev.	Parts No.	Description	Q'ty						I	R
				(A)	(B)	(C)	(D)	(E)	(F)		
1	1	729948-51360	PUMP ASSY, INJECTION	1							1
10	2	144626-51090	FEATHER KEY, 5X19	1							
13	2	158563-51150	FLANGE	1							
19	2	158600-51270	STOPPER, TAPPET	1							
20	2	158563-51281	O-RING, 4D S6	1							
21	2	158563-51281	O-RING, 4D S6	1							
22	2	129928-51390	VALVE ASSY, DELIVERY	4							
32	3	158563-51330	SPRING, DELIVERY	4							
54	2	158601-51550	PLUG, M22	1							
55	2	129907-51560	PLUG, M16	1							
56	2	158552-51571	GASKET, PLUG	4							
57	2	158557-51570	PLUG, RACK	1							
58	2	129906-51580	GASKET, PLUG	1							
59	2	158552-51580	LIFTER, LINK	1							
60	2	129657-51590	TIMER ASSY	1							
61	3	129657-51600	TIMER ASSY	1							
64	3	158553-51670	O-RING	1							
65	3	119802-51680	RING, BACKUP	1							
66	3	119802-51690	O-RING	1							
67	3	24356-010200	O-RING, 4D1020	1							
68	3	24372-000150	RING, BACK UP T2P15	1							
70	2	119852-51630	SPRING, TIMER	1							
71	2	119852-51640	CAP, TIMER	1							
73	2	119852-51650	VALVE ASSY, SOLENOID	1							
76	2	158553-51680	GASKET, TIMER	1							
97	2	158601-51770	PISTON, ACCUMULATOR	1							
98	2	158552-51781	SPRING, ACCUMULATOR	1							
99	2	158601-51790	PLUG	1							
101	2	158553-51930	PLUG, M12	1							
102	2	22190-120002	WASHER, SEAL 12	1							
103	2	22190-180002	WASHER, SEAL 18	1							
106	2	158552-52310	O-RING	1							
107	2	158552-52400	O-RING, 4E S42	1							
108	2	22190-120002	WASHER, SEAL 12	2							
109	2	22217-180000	WASHER, SPRING 18	1							
110	2	22312-050140	PIN, PARALLEL M5X14	2							
111	2	22351-050010	PIN, SPRING 5.0X10	2							
112	2	24311-000070	O-RING, 1AP7.0	1							
113	2	24356-010200	O-RING, 4D1020	1							
114	2	24356-020210	O-RING, 4D2021	1							
115	2	26106-060102	BOLT, M6X 10 PLATED	1							
116	2	26106-060352	BOLT, M6X 35 PLATED	4							
117	2	26450-100452	BOLT, M10X 45	4							
118	2	26776-180002	NUT, LOCK M18	1							
121	2	129927-51650	HARNES ASSY, WIRE	1							
122	3	129927-51660	HARNES	1							
123	3	129263-77941	CAP, RUBBER	1							
124	2	158601-51650	JOINT, OVER FLOW	1							
125	2	129927-51670	BRACKET	1							
126	2	158552-51670	JOINT, OVER FLOW	1							
128	2	158552-52100	PUMP ASSY, FUEL FEED	1							

N:Old  $\frac{New}{Old}$  New, Q:Old  $\frac{New}{Old}$  New, R:Old  $\frac{New}{Old}$  New, S:Old  $\frac{New}{Old}$  New, W:Add, Z:Discontinued, F:Interchangeable by set, K:Q'ty Change  
 ++ CONTINUE ++ Copyright (C) YANMAR GLOBAL CS CO., LTD. All Rights Reserved.

Fig.13. FUEL INJECTION PUMP



(A)=4TNV98T-ZSOM  
(B)=  
(C)=

(D)=  
(E)=  
(F)=

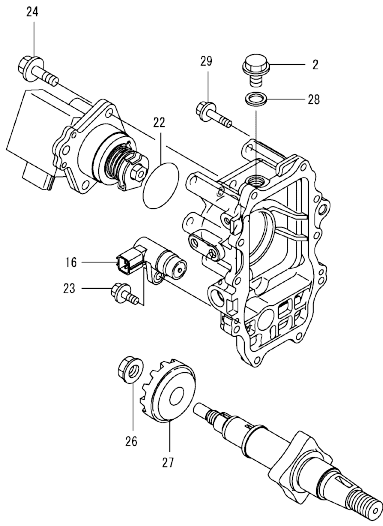
No.	Lev.	Parts No.	Description	Q'ty					
				(A)	(B)	(C)	(D)	(E)	(F)
129	3	158552-52500	O-RING	1					
130	2	119934-59910	JOINT, PIPE	1					
131	2	22190-120002	WASHER, SEAL 12	1					
132	2	22217-050000	WASHER, SPRING 5	1					
133	2	26106-060122	BOLT, M6X 12 PLATED	1					
134	2	26716-050002	NUT, M5	1					
135	2	27241-160000	PLUG, 16	1					
137	1	129927-51250	RETAINER, PUMP	1					
138	1	26106-080202	BOLT, M8X 20 PLATED	3					
139	1	26106-080302	BOLT, M8X 30 PLATED	3					

Remarks

(1) GOVERNOR ASSY (FIG.14) IS INCORPORATED IN THIS FUEL INJECTION PUMP. (REF.NO.1).  
(1) ECO PUMP.  
MAKE SURE TO UPDATE THE ENGINES ECU INFORMATION WHEN REPLACING THE ECO PUMP.  
FAILING TO DO SO WILL RESULT IN ENGINE MALFUNCTION.

0CW10-M51800 4TNV98T-ZSOM  
 Fig.14. GOVERNOR

0CW10-M51800 Fig.14



(A)=4TNV98T-ZSOM  
 (B)=  
 (C)=

(D)=  
 (E)=  
 (F)=

No.	Lev.	Parts No.	Description	Q'ty						I	R
				(A)	(B)	(C)	(D)	(E)	(F)		
2	2	158553-51930	PLUG, M12	1							
16	2	158557-61720	SENSOR	1							
22	2	24341-000480	O-RING, 1AS48.0	1							
23	2	26106-060162	BOLT, M6X 16 PLATED	1							
24	2	26106-080252	BOLT, M8X 25 PLATED	3							
26	2	129008-61301	NUT	1							
27	2	158553-61780	GEAR, SENSOR	1							
28	2	22190-120000	WASHER, SEAL 12	1							
29	2	26106-060252	BOLT, M6X 25 PLATED	10							

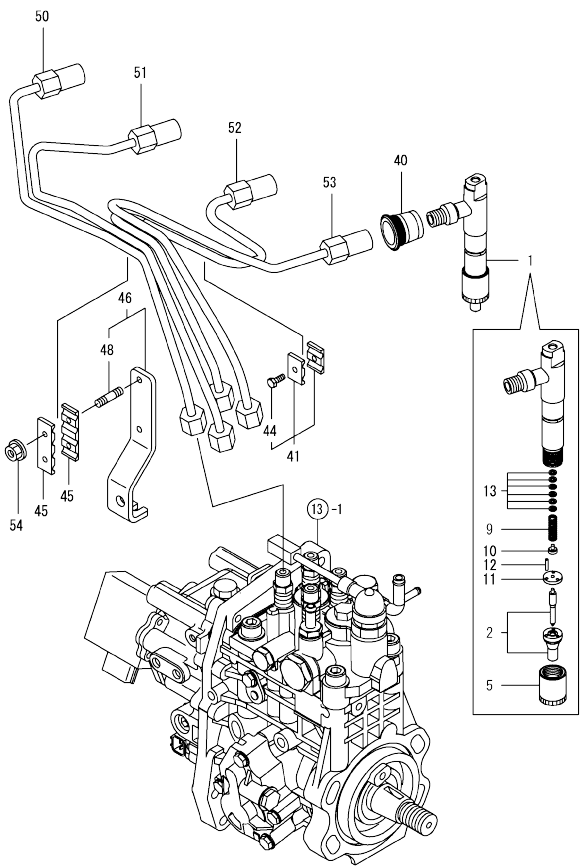
Remarks  
 \* THIS FIGURE(GOVERNOR ASSY)IS  
 INCORPORATED IN THE FUEL INJECTION  
 PUMP ASSY(FIG.13).

N:Old  $\frac{100}{100}$  New, Q:Old  $\frac{100}{100}$  New, R:Old  $\frac{100}{100}$  New, S:Old  $\frac{100}{100}$  New, W:Add, Z:Discontinued, F:Interchangeable by set, K:Q'ty Change  
 Copyright (C) YANMAR GLOBAL CS CO., LTD. All Rights Reserved.

Fig.15. FUEL INJECTION VALVE

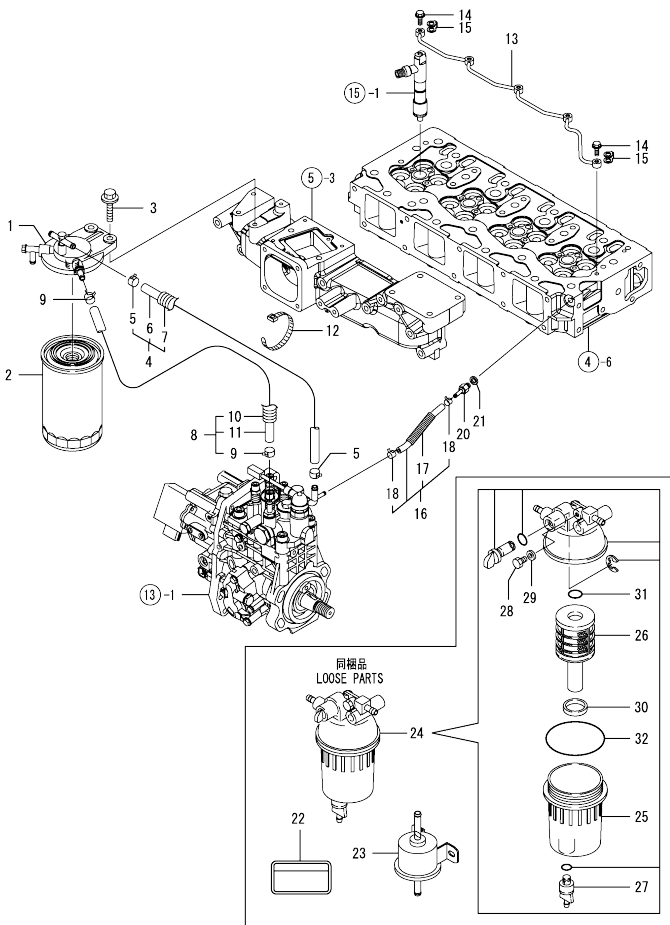
(A)=4TNV98T-ZSOM  
(B)=  
(C)=

(D)=  
(E)=  
(F)=



No.	Lev.	Parts No.	Description	Q'ty						I	R
				(A)	(B)	(C)	(D)	(E)	(F)		
1	1	729928-53300	VALVE ASSY,INJECTION	4							
2	2	129672-53010	VALVE ASSY,INJECTION	4							
5	2	114250-53080	NUT, NOZZLE D16.95	4							
9	2	114250-53120	SPRING, NOZZLE	4							
10	2	114250-53130	SEAT, SPRING	4							
11	2	114250-53140	PLATE	4							
12	2	114250-53210	PIN	8							
13	2	119803-53400	SHIM SET	4							
40	1	123907-11601	SEAL	4							
41	1	119305-59120	RETAINER, PIPE	1							
44	2	129150-59131	BOLT, M4X14	1							
45	1	123472-59120	RETAINER, PIPE	2							
46	1	129973-59700	SUPPORT ASSY	1							
48	2	26216-060202	STUD, M6X 20	2							
50	1	129973-59810	PIPE ASSY, INJECTION	1							
51	1	129973-59820	PIPE ASSY, INJECTION	1							
52	1	129973-59830	PIPE ASSY, INJECTION	1							
53	1	129973-59840	PIPE ASSY, INJECTION	1							
54	1	26366-060002	NUT, M6	2							

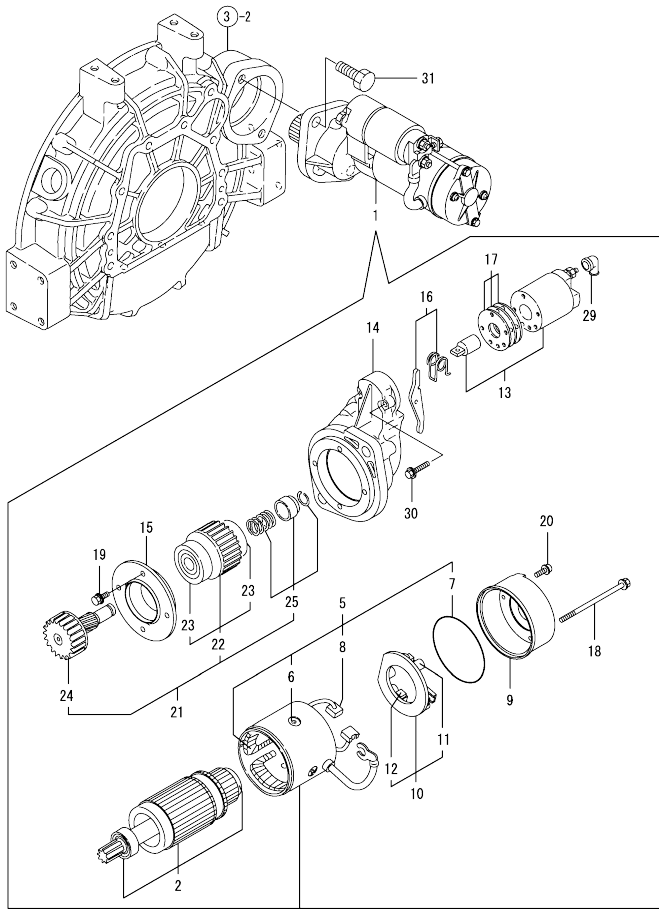
Fig.16. FUEL LINE



No.	Lev.	Parts No.	Description	Q'ty						I	R
				(A)	(B)	(C)	(D)	(E)	(F)		
1	1	129004-55612	BRACKET, FILTER	1							
2	1	123907-55801	FILTER, FUEL	1							
3	1	26106-080302	BOLT, M8X 30 PLATED	2							
4	1	129467-59010	PIPE ASSY, FUEL	1							
5	2	124766-59050	CLIP, HOSE 12	2							
6	2	129335-59090	PIPE, FUEL D13X500	1							
7	2	119560-59110	TUBE, CORRUGATED	1							
8	1	129950-59211	PIPE, FUEL	1							
9	2	124766-59050	CLIP, HOSE 12	2							
10	2	129950-59221	TUBE, CORRUGATED	1							
11	2	105025-59530	PIPE, FUEL D13X400	1							
12	1	121750-59890	BAND, 140	1							
13	1	129907-59140	PIPE ASSY, RETURN	1							
14	1	123907-59540	BOLT, PIPE JOINT M6	5							
15	1	123907-59550	GASKET	5							
16	1	129927-59550	PIPE ASSY, RETURN	1							
17	2	129263-49750	TUBE, CORRUGATED	1							
18	2	124722-59050	CLIP, HOSE 9	2							
20	1	123907-59560	JOINT	1							
21	1	22190-080002	WASHER, SEAL 6	1							
22	1	114110-07760	LABEL, FUEL OIL	1							
23	1	119225-52102	PUMP ASSY, FUEL FEED	1							
24	1	129242-55700	SEPARATOR ASSY	1							
25	2	129242-55720	CUP	1							
26	2	129242-55730	ELEMENT	1							
27	2	129242-55740	PLUG, DRAIN	1							
28	2	129242-55750	VALVE, AIR VENT	1							
29	2	129242-55760	GASKET	1							
30	2	129242-55770	FLOAT	1							
31	2	24311-000160	O-RING, 1AP16.0	1							
32	2	24321-000750	O-RING, 1AG75.0	1							

N:Old  $\frac{100}{100}$  New, Q:Old  $\frac{100}{100}$  New, R:Old  $\frac{100}{100}$  New, S:Old  $\frac{100}{100}$  New, W:Add, Z:Discontinued, F:Interchangeable by set, K:Qty Change  
 Copyright (C) YANMAR GLOBAL CS CO., LTD. All Rights Reserved.

Fig.17. STARTING MOTOR



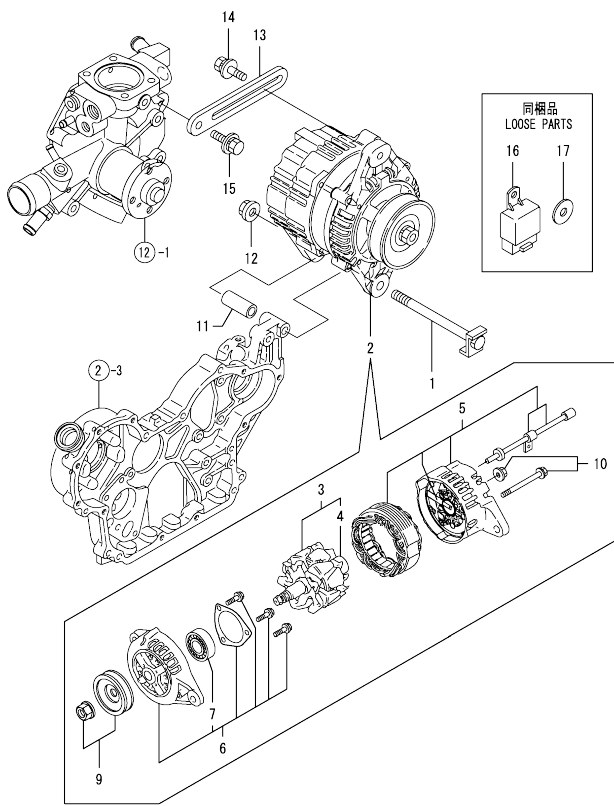
(A)=4TNV98T-ZSOM  
(B)=  
(C)=

(D)=  
(E)=  
(F)=

No.	Lev.	Parts No.	Description	Q'ty						I	R
				(A)	(B)	(C)	(D)	(E)	(F)		
1	1	129940-77010	STARTER 12V,3KW	1							
2	2	129940-77100	ARMATURE ASSY	1							
5	2	129940-77130	COIL ASSY, FIELD	1							
6	3	129940-77140	SCREW, POLE CORE SET	4							
7	3	129940-77150	O-RING	1							
8	3	129940-77160	BRUSH (+)(-)	2							
9	2	129940-77170	COVER, REAR	1							
10	2	129940-77180	HOLDER, BRUSH	1							
11	3	129940-77190	SPRING, BRUSH	1							
12	3	129940-77200	BRUSH (+)(-)	2							
13	2	129940-77210	SWITCH ASSY,MAGNETIC	1							
14	2	129940-77220	HOUSING, GEARS	1							
15	2	129940-77230	RETAINER, BEARING	1							
16	2	129940-77240	SHIFT LEVER SET	1							
17	2	129940-77250	COVER ASSY, DUST	1							
18	2	129940-77260	THROUGHT BOLT	2							
19	2	129940-77270	BOLT M6X 20	4							
20	2	129940-77280	SCREW M4X 10	2							
21	2	123900-77510	PINION ASSY	1							
22	3	123900-77520	CLUTCH ASSY	1							
23	4	X2240610100	BALL BEARING (3)	2							
24	3	123900-77540	SHAFT, PINION	1							
25	3	119131-77550	STOPPER KIT, PINION	1							
29	2	121254-77810	COVER, TERMINAL	1							
30	2	114371-79070	BOLT M 6X 37	2							
31	1	26116-120252	BOLT, M12X 25 PLATED	2							

0CW10-M51800 4TNV98T-ZSOM  
 Fig.18. GENERATOR

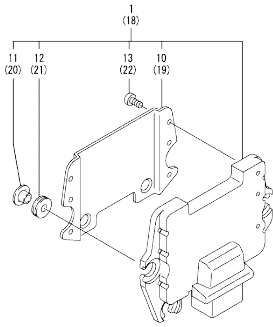
0CW10-M51800 Fig.18



No.	Lev.	Parts No.	Description	Q'ty						I	R
				(A)	(B)	(C)	(D)	(E)	(F)		
1	1	129002-77281	BOLT, M10	1							
2	1	129612-77290	ALTERNATOR, 12V-80A	1							
3	2	123910-77740	ROTOR ASSY	1							
4	3	129900-77810	BALL BEARING	1							
5	2	129612-77820	BRACKET ASSY	1							
6	2	129900-77890	BRACKET, FRONT	1							
7	3	129900-77900	BALL BEARING	1							
9	2	129900-77910	PULLEY	1							
10	2	129900-77920	SCREW KIT	1							
11	1	129002-77340	PIECE, DISTANCE	1							
12	1	26306-100002	NUT, M10	1							
13	1	129900-77330	ADJUSTER	1							
14	1	119810-77340	BOLT, ADJUSTER	1							
15	1	26014-080252	BOLT, M8X 25	1							
16	1	198461-52950	RELAY, CA TYPE C	1							
17	1	129927-77690	WASHER	3							



Fig.19. ELECTRONIC CONTROL UNIT (ECU)



(A)=4TNV98T-ZSOM  
(B)=  
(C)=

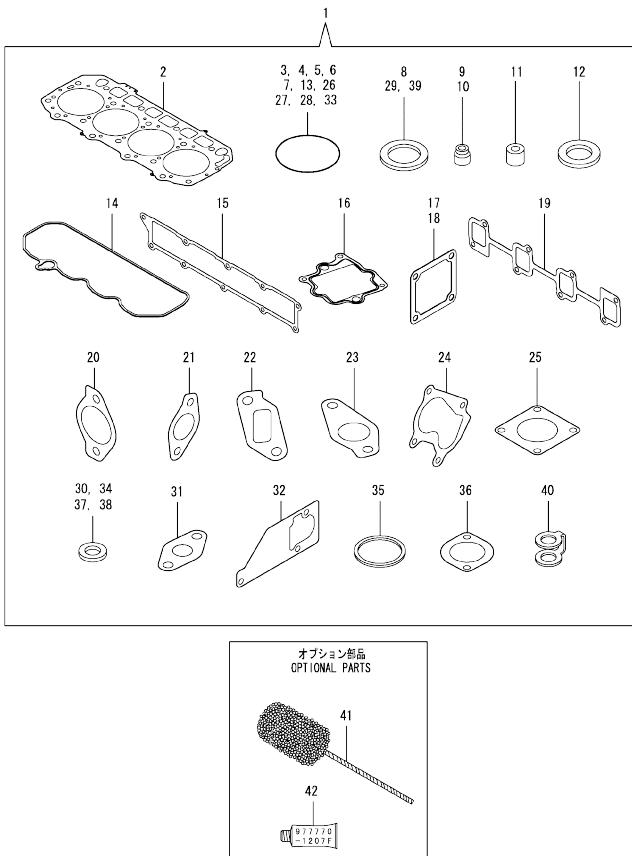
(D)=  
(E)=  
(F)=

No.	Lev.	Parts No.	Description	Q'ty						I	R
				(A)	(B)	(C)	(D)	(E)	(F)		
1	1	129948-75080	CONTROLLER ASSY, EUC	1							1
10	2	129927-77600	SHIELD	1							
11	2	129927-77680	COLLAR	3							
12	2	119578-91351	ABSORBER	3							
13	2	22877-500080	SCREW, 5X 8	6							
18	1	129927-75900	CONTROLLER ASSY, EUC	1							2
19	2	129927-77600	SHIELD	1							
20	2	129927-77680	COLLAR	3							
21	2	119578-91351	ABSORBER	3							
22	2	22877-500080	SCREW, 5X 8	6							

Remarks

(1)ECO ECU  
THIS PART CANNOT BE ORDERED.  
REPLACE THE PART USING A SERVICE  
ECU WITH THE PROPER ENGINE  
INFORMATION INSTALLED.  
(2)SERVICE ECU  
IF THE PROPER INFORMATION IS NOT  
INSTALLED, THE ENGINE WILL NOT  
OPERATE.  
TO INSTALL PROPER INFORMATION,  
GO TO AN AUTHORIZED DISTRIBUTOR.

Fig.20. GASKET SET



No.	Lev.	Parts No.	Description	Qty						I	R	
				(A)	(B)	(C)	(D)	(E)	(F)			
1	1	729928-92730	GASKET SET	1							1	
2	2	129907-01331	GASKET, HEAD	1								
3	2	129900-32030	O-RING, P20	2								
4	2	129900-32040	O-RING, P14	1								
5	2	24351-030750	O-RING, 1A3075	1								
6	2	24311-000320	O-RING, 1AP32.0	2								
7	2	24321-000850	O-RING, 1AG85.0	1								
8	2	22190-220002	WASHER, SEAL 22	1								
9	2	119803-11340	SEAL, VALVE STEM	8								
10	2	124160-11340	SEAL, VALVE STEM	8								
11	2	119802-11870	PROTECTOR, NOZZLE	4								
12	2	119625-11880	SEAT, NOZZLE	4								
13	2	24311-000120	O-RING, 1AP12.0	8								
14	2	129933-11310	GASKET, BONNET	1								
15	2	129907-12110	GASKET, MANIFOLD	1								
16	2	129973-12110	GASKET	1								
17	2	119129-77020	GASKET	1								
18	2	121850-77021	GASKET	1								
19	2	129900-13251	GASKET	1								
20	2	129928-13410	GASKET	2								
21	2	129927-13810	GASKET	3								
22	2	129927-13910	GASKET	1								
23	2	129927-13920	GASKET	1								
24	2	123901-18080	GASKET	1								
25	2	129472-18090	GASKET	1								
26	2	24341-000530	O-RING, 1AS53.0	1								
27	2	24321-000600	O-RING, 1AG60.0	1								
28	2	24316-240100	O-RING, 4DP10A	1								
29	2	22190-080002	WASHER, SEAL 6	9								
30	2	23414-100000	GASKET, 10X1.0	2								
31	2	129908-39690	GASKET	1								
32	2	129900-42061	GASKET, WATER PUMP	1								
33	2	129900-42140	O-RING, P36	2								
34	2	23414-080000	GASKET, 8X1.0	1								
35	2	121850-49550	GASKET, THERMOSTAT	1								
36	2	129900-49560	GASKET	1								
37	2	124465-44950	GASKET, 16	1								
38	2	129150-49360	GASKET	1								
39	2	22190-120002	WASHER, SEAL 12	1								
40	2	123907-59550	GASKET	5								
41	1	129400-92450	HONE	1								1
42	1	977770-1207F	GASKET, LIQUID	1								1

Remarks  
(1) OPTIONAL PART.

## Parts No. Index

Parts No.	Fig. No.	Ref. No.
105025-59530	16	11
114110-07760	16	22
114250-39450	11	1
114250-53080	15	5
114250-53120	15	9
114250-53130	15	10
114250-53140	15	11
114250-53210	15	12
114371-79070	17	30
119000-01840	3	4
119000-39650	11	40
119005-77051	5	18
119006-03090	4	68
119100-11330	4	61
119129-77020	5	16
	20	17
119131-18320	8	3
119131-77550	17	25
119225-52102	16	23
119260-34810	10	13
119305-59120	15	41
119560-59110	16	7
119578-91351	19	12
		21
119593-11301	4	34
119620-11180	4	18
119625-11880	4	30
	20	12
119640-01640	3	8
119802-11870	4	29
	20	11
119802-13620	6	10
119802-13790	6	11
119802-51680	13	65
119802-51690	13	66
119803-11340	4	19
	20	9
119803-53400	15	13
119810-77340	18	14
119852-51630	13	70
119852-51640	13	71
119852-51650	13	73
119934-59910	13	130
120130-22301	9	21
121252-39150	11	2
121254-77810	17	29
121450-42450	12	38
121750-59890	16	12
121850-21130	9	11
121850-21290	9	4

Parts No.	Fig. No.	Ref. No.
121850-21920	9	5
121850-49550	12	34
	20	35
121850-49810	12	36
121850-77021	5	17
	20	18
123472-59120	15	45
123900-13630	6	6
123900-25060	7	9
123900-77510	17	21
123900-77520	17	22
123900-77540	17	24
123901-03240	4	72
123901-03280	4	79
123901-18080	6	32
	20	24
123907-11280	4	39
123907-11550	4	5
123907-11601	15	40
123907-11820	4	25
123907-11830	4	24
123907-39500	11	16
123907-55801	16	2
123907-59540	16	14
123907-59550	16	15
	20	40
123907-59560	16	20
123910-39850	11	28
123910-49600	10	7
123910-49610	10	9
123910-77740	18	3
123912-33050	10	2
123912-33100	10	3
123951-18220	5	13
124070-13300	11	25
	12	52
124160-01751	2	13
	4	54
124160-11340	4	20
	20	10
124160-11360	4	65
124223-39900	11	5
124250-49351	12	41
124465-44950	12	40
	20	37
124722-59050	16	18
124766-59050	16	5
		9
127410-21480	9	14
129002-77281	18	1

Parts No.	Fig. No.	Ref. No.
129002-77340	18	11
129004-55612	16	1
129005-59830	11	8
		18
129006-44480	10	5
129008-61301	14	26
129100-01580	2	1
	3	1
129150-02450	7	4
129150-03100	4	70
129150-11230	4	42
		46
129150-11750	4	23
		43
		47
129150-14200	7	1
129150-25920	7	13
129150-35153	10	18
129150-49360	12	42
	20	38
	15	44
129150-59131	16	24
129242-55700	16	25
129242-55720	16	25
129242-55730	16	26
129242-55740	16	27
129242-55750	16	28
129242-55760	16	29
129242-55770	16	30
129263-49750	16	17
129263-77941	13	123
129335-59090	16	6
129400-92450	20	41
129410-03990	4	80
129418-18320	6	3
		4
129457-96200	12	27
129467-59010	16	4
129472-18090	8	2
	20	25
129509-79700	4	62
129612-77290	18	2
129612-77820	18	5
129657-51590	13	60
129657-51600	13	61
129672-53010	15	2
129900-01200	1	27
129900-01250	1	4
129900-01850	2	25
129900-01870	2	26
129900-02020	1	6

Parts No.	Fig. No.	Ref. No.
129900-02341	1	33
129900-02410	1	9
129900-02931	1	24
129900-02941	1	36
129900-13251	6	5
	20	19
129900-14100	7	6
129900-21200	9	3
129900-23001	9	23
129900-23200	9	26
129900-23601	9	27
129900-23611	9	30
129900-23911	9	29
129900-25100	7	10
129900-32030	2	6
	10	19
	20	3
129900-32040	2	7
	20	4
129900-42061	12	16
	20	32
129900-42070	12	17
129900-42140	12	18
	20	33
129900-42161	12	3
129900-42170	12	4
129900-49560	12	35
	20	36
129900-77330	18	13
129900-77810	18	4
129900-77890	18	6
129900-77900	18	7
129900-77910	18	9
129900-77920	18	10
129906-51580	13	58
129907-01331	1	28
	20	2
129907-03011	4	56
129907-03061	4	57
129907-03070	4	58
129907-11100	4	15
129907-11110	4	16
129907-11120	4	17
129907-11250	4	36
129907-11260	4	37
129907-11270	4	38
129907-11341	4	35
129907-11510	4	21
129907-11650	4	40
129907-11660	4	44

## Parts No. Index

Parts No.	Fig. No.	Ref. No.
129907-11800	4	28
129907-11910	4	31
129907-11920	4	48
129907-11950	4	32
129907-12110	5	1
	20	15
129907-14400	7	2
129907-25900	7	16
129907-34811	10	14
129907-51560	13	55
129907-59140	16	13
129908-03099	4	69
129908-03230	4	71
129908-03240	4	73
129908-03250	4	74
129908-14581	7	3
129908-21000	9	1
129908-32060	2	4
129908-33010	10	1
129908-33101	10	4
129908-39410	11	34
129908-39690	11	30
	20	31
129908-49060	10	6
129916-01790	3	6
129916-01800	2	24
129916-21610	9	7
129916-49740	12	12
129927-13810	6	13
	19	19
	20	21
129927-13900	6	25
129927-13910	6	26
	20	22
129927-13920	6	27
	20	23
129927-22050	9	17
129927-39060	11	14
129927-44900	12	39
129927-51250	13	137
129927-51650	13	121
129927-51660	13	122
129927-51670	13	125
129927-59550	16	16
129927-75900	19	18
129927-77600	19	10
	19	19
129927-77680	19	11
	20	20
129927-77690	18	17

Parts No.	Fig. No.	Ref. No.
129928-11320	4	55
129928-11700	4	6
129928-13410	6	8
	20	9
	20	20
129928-13700	5	6
129928-18010	8	1
129928-22080	9	15
129928-34870	10	15
129928-51390	13	22
129930-01870	2	19
129933-11310	4	60
	20	14
129935-03260	4	76
129935-03270	4	77
129940-77010	17	1
129940-77100	17	2
129940-77130	17	5
129940-77140	17	6
129940-77150	17	7
129940-77160	17	8
129940-77170	17	9
129940-77180	17	10
129940-77190	17	11
129940-77200	17	12
129940-77210	17	13
129940-77220	17	14
129940-77230	17	15
129940-77240	17	16
129940-77250	17	17
129940-77260	17	18
129940-77270	17	19
129940-77280	17	20
129948-21510	9	12
129948-42020	12	1
129948-42250	12	24
129948-75080	19	1
129950-59211	16	8
129950-59221	16	10
129951-01620	3	2
129953-25300	7	15
129953-35000	10	20
129960-03990	4	81
	12	55
129960-21640	9	8
129963-49300	12	9
129972-01500	2	3
129973-07901	4	1
129973-07910	4	2
129973-12100	5	3

Parts No.	Fig. No.	Ref. No.
129973-12110	5	4
	20	16
129973-12160	5	2
129973-12200	5	5
129973-12850	5	15
129973-13101	6	2
129973-13150	6	1
129973-13400	6	7
129973-13800	6	12
129973-13801	6	12 -1
129973-13810	6	14
129973-13811	6	14 -1
129973-13820	6	20
129973-13840	6	21
129973-13961	6	28
129973-18200	5	12
129973-21660	9	9
129973-39450	11	3
129973-39610	11	26
129973-39640	11	29
129973-39650	11	27
129973-42350	12	22
129973-42361	2	15
129973-42400	12	25
129973-49110	12	53
129973-49410	12	10
129973-49610	12	44
129973-49620	12	48
129973-49740	12	54
129973-49760	12	57
129973-49770	12	58
129973-49780	12	59
129973-59700	15	46
129973-59810	15	50
129973-59820	15	51
129973-59830	15	52
129973-59840	15	53
129981-49531	12	33
129982-01710	3	7
444626-51090	13	10
158552-51571	13	56
158552-51580	13	59
158552-51670	13	126
158552-51781	13	98
158552-52100	13	128
158552-52310	13	106
158552-52400	13	107
158552-52500	13	129
158553-51670	13	64
158553-51680	13	76

Parts No.	Fig. No.	Ref. No.
158553-51930	13	101
	14	2
158553-61780	14	27
158557-51570	13	57
158557-61720	14	16
158563-51150	13	13
158563-51281	13	20
		21
158563-51330	13	32
158600-51270	13	19
158601-51550	13	54
158601-51650	13	124
158601-51770	13	97
158601-51790	13	99
171051-01921	1	5
171056-49120	10	12
198461-52950	18	16
22190-080002	11	9
		11
		19
		21
		23
		21
		20
		29
22190-120000	14	28
22190-120002	12	43
	13	102
		108
		131
		20
		39
22190-180002	13	103
22190-220002	3	10
	20	8
22217-050000	13	132
22217-180000	13	109
22242-000150	12	30
22252-000300	9	22
22312-050140	13	110
22351-030010	11	41
22351-050010	13	111
22351-060012	1	10
22512-070140	7	7
	9	6
22857-500100	4	63
22877-500080	19	13
		22
23000-022000	4	82
	12	60
23000-025000	10	10
	11	31

## Parts No. Index

Parts No.	Fig. No.	Ref. No.
23000-054000	5	14
23080-012000	12	47
		51
23414-080000	12	19
	20	34
23414-100000	11	12
	20	30
23857-030000	11	10
		20
23876-020000	4	12
23876-030000	1	11
		12
		13
		29
	4	13
	6	15
24104-062024	12	29
24311-000070	13	112
24311-000120	4	33
		66
	20	13
24311-000160	16	31
24311-000320	2	14
	4	67
	20	6
24316-240100	10	16
	20	28
24321-000600	10	11
	20	27
24321-000750	16	32
24321-000850	2	20
	20	7
24341-000480	14	22
24341-000530	9	10
	20	26
24351-030750	2	8
	20	5
24356-010200	13	67
		113
24356-020210	13	114
24372-000150	13	68
25152-004100	12	31
26014-080252	18	15
26106-060102	13	115
26106-060122	4	64
	13	133
26106-060142	5	7
26106-060162	6	29
	11	32
	14	23

Parts No.	Fig. No.	Ref. No.
26106-060182	5	8
26106-060252	14	29
26106-060352	13	116
26106-080122	3	11
	4	83
	10	25
	11	13
		22
		24
		33
	12	20
		61
26106-080142	4	84
	12	23
26106-080162	2	9
		27
	6	22
		23
	7	8
	10	17
		26
26106-080202	2	10
		16
	4	3
		4
	13	138
26106-080222	6	16
26106-080252	12	37
	14	24
26106-080302	13	139
	16	3
26106-080402	2	28
	4	50
	5	19
26106-080452	2	11
		17
26106-080552	5	10
	7	14
	12	21
26106-080602	4	51
		52
26106-080652	6	17
26106-080702	2	29
	5	20
26106-080752	2	18
26106-080852	5	11
26106-100162	5	9
	12	32
26106-100202	2	21
26106-100302	6	24

Parts No.	Fig. No.	Ref. No.
26106-100402	6	30
26106-101052	6	31
26116-050102	4	75
26116-060162	12	14
26116-120252	17	31
26206-100352	3	5
26216-060202	15	48
26216-100302	2	5
26226-080222	4	49
26306-080002	4	53
	6	18
	8	4
26306-100002	2	12
	18	12
26366-060002	15	54
26450-100452	13	117
26577-060162	12	15
26716-050002	13	134
26776-180002	13	118
27241-160000	13	135
27241-300000	1	14
27241-400000	4	14
27310-070001	4	26
729900-02801	1	30
729906-01550	2	22
729927-22950	9	34
729928-01560	1	1
729928-22900	9	32
729928-53300	15	1
729928-92730	20	1
729948-51360	13	1
977770-1207F	20	42
X2240610100	17	23

Parts No.	Fig. No.	Ref. No.
-----------	----------	----------