

0CW10-M38101EN

P R E F A C E

1. This Parts Catalog carries all parts incorporated in YANMAR Model 4TNV98T-ZNSAD, 4TNV98T-ZNSADC, 4TNV98T-ZNSADT engine manufactured since February,2012.
2. Each illustration corresponds to the parts list on the following page.
3. When ordering parts, clearly write down the engine model and serial number, as well as the name and number of each part in your order sheet. This will help insure reliable delivery of the parts you have ordered.

Contents

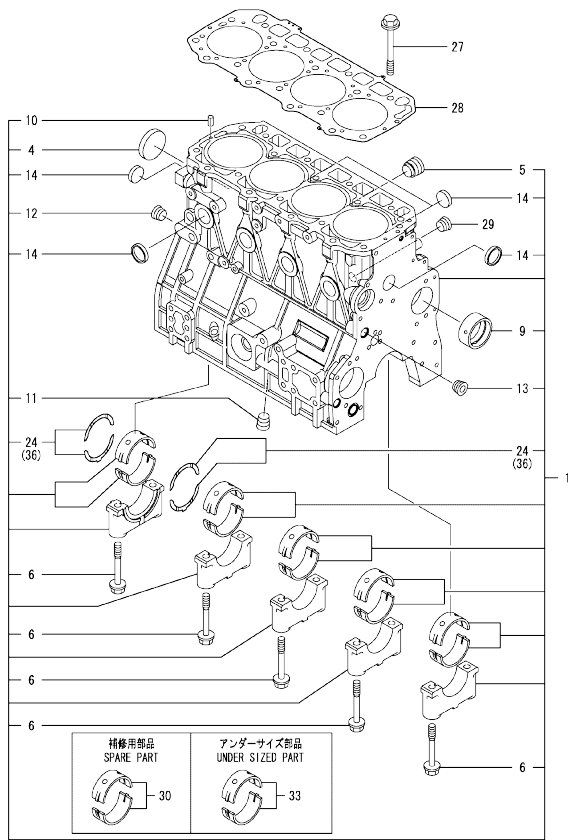
0CW10-M38101

Fig. No.	Fig. Name	Fig. No.	Fig. Name
ENGINE			
1.	CYLINDER BLOCK		
2.	GEAR HOUSING		
3.	FLYWHEEL HOUSING & OIL SUMP		
4.	CYLINDER HEAD & BONNET		
5.	SUCTION MANIFOLD		
6.	EXHAUST MANIFOLD		
7.	CAMSHAFT & DRIVING GEAR		
8.	TURBINE		
9.	CRANKSHAFT & PISTON		
10.	LUB. OIL SYSTEM		
11.	LUB. OIL PIPE		
12.	COOLING WATER SYSTEM		
13.	FUEL INJECTION PUMP		
14.	GOVERNOR		
15.	FUEL INJECTION VALVE		
16.	FUEL PIPE		
17.	STARTER MOTOR		
18.	GENERATOR		
19.	ELECTRONIC CONTROL UNIT(ECU)		
20.	GASKET SET		

Fig.1. CYLINDER BLOCK

(A)=4TNV98T-ZNSAD
 (B)=4TNV98T-ZNSADT
 (C)=4TNV98T-ZNSADC

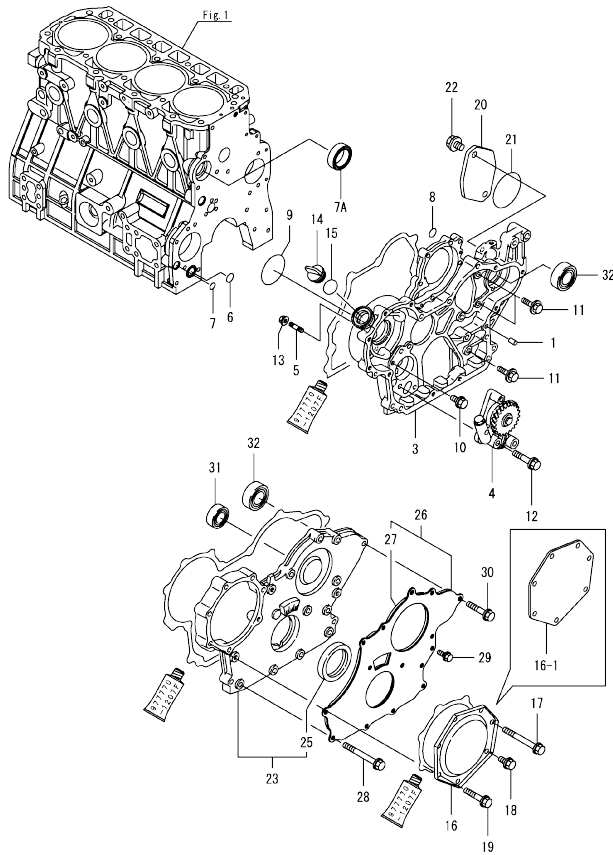
(D)=
 (E)=
 (F)=



No.	Lev.	Parts No.	Description	Q'ty						I	R
				(A)	(B)	(C)	(D)	(E)	(F)		
1	1	729928-01560	BLOCK ASSY, CYLINDER	1	1	1					
4	2	129900-01250	PLUG, 55	1	1	1					
5	2	171051-01921	PLUG, NPTF1	1	1	1					
6	2	129900-02020	BOLT, METAL CAP	10	10	10					
9	2	129900-02410	BUSH, CAMSHAFT	1	1	1					
10	2	22351-060012	PIN, SPRING 6.0X12	2	2	2					
11	2	23876-030000	PLUG, R03	1	1	1					
12	2	23876-030000	PLUG, R03	1	1	1					
13	2	23876-030000	PLUG, R03	1	1	1					
14	2	27241-300000	PLUG 30	8	8	8					
24	2	129900-02931	METAL ASSY, THRUST	2	2	2					
27	1	129900-01200	BOLT, CYLINDER HEAD	18	18	18					
28	1	129907-01331	GASKET, HEAD	1	1	1					
29	1	23876-030000	PLUG, R03	1	1	1					
30	1	729900-02801	METAL ASSY, MAIN	5	5	5					1
33	1	129900-02341	METAL ASSY, MAIN 25	5	5	5					2
36	1	129900-02941	METAL ASSY, 0.25 OS	2	2	2					3

Remarks
 (1)Spare parts.
 (2)Under-sized(U.S.=0.25) parts.
 (3)Over-sized(O.S.=0.25) parts.

Fig.2. GEAR HOUSING



(A)=4TNV98T-ZNSAD
(B)=4TNV98T-ZNSADT
(C)=4TNV98T-ZNSADC

(D)=
(E)=
(F)=

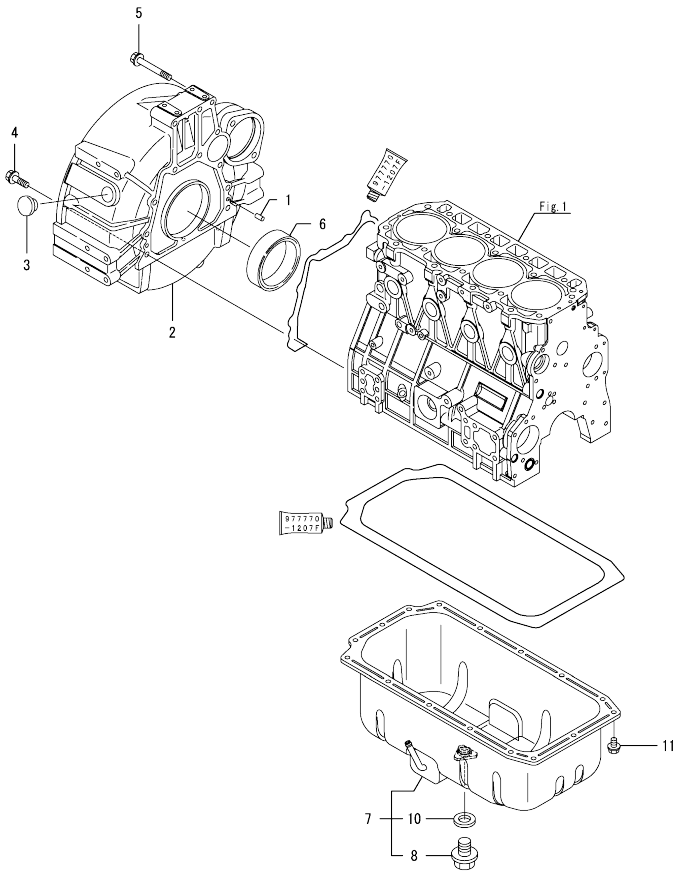
No.	Lev.	Parts No.	Description	Qty						I	R
				(A)	(B)	(C)	(D)	(E)	(F)		
1	1	129100-01580	PIN, PARALLEL 8X16	4	4	4					
3	1	129933-01500	CASE, GEAR	1	1	1					
4	1	129908-32060	PUMP ASSY, OIL	1	1	1					
5	1	26216-100302	STUD, M10X 30	4	4	4					
6	1	129900-32030	O-RING, P20	1	1	1					
7	1	129900-32040	O-RING, P14	1	1	1					
7A	1	129927-42140	GASKET, PUMP OUTLET	1	1	1					W
		(A=EX0784)	(B=ET4138)								
8	1	24311-000070	O-RING, 1AP7.0	1	1	1					
9	1	24351-030750	O-RING, 1A3075	1	1	1					
10	1	26106-080162	BOLT, M8X 16 PLATED	1	1	1					
11	1	26106-080202	BOLT, M8X 20 PLATED	3	3	3					
12	1	26106-080452	BOLT, M8X 45 PLATED	3	3	3					
13	1	26306-100002	NUT, M10	4	4	4					
14	1	124160-01751	CAP, FILLER	1	1	1					
15	1	24311-000320	O-RING, 1AP32.0	1	1	1					
16	1	129900-01740	COVER, PUMP TIMING	1	1	1					
16-1	1	129951-01740	COVER, PUMP TIMING	1	1	1					F 1
		(A=EXXXXX)	(C=EXXXXX)								
17	1	129001-91810	BOLT, M8X70	1	1	1					
17-1	1	26106-080702	BOLT, M8X 70 PLATED	1	1	1					R
		(A=EXXXXX)	(C=EXXXXX)								
17-2	1	26106-080752	BOLT, M8X 75 PLATED	1	1	1					N
		(A=EXXXXX)	(C=EXXXXX)								
18	1	26106-080162	BOLT, M8X 16 PLATED	1	1	1					
18-1	1	26106-080202	BOLT, M8X 20 PLATED	1	1	1					N
		(A=EXXXXX)	(C=EXXXXX)								
19	1	26106-080402	BOLT, M8X 40 PLATED	5	5	5					
19-1	1	26106-080452	BOLT, M8X 45 PLATED	5	5	5					N
		(A=EXXXXX)	(C=EXXXXX)								
20	1	121023-26070	COVER, PUMP	1	1	1					
20-1	1	121023-26071	COVER, PUMP	1	1	1					N
		(A=EXXXXX)	(C=EXXXXX)								
21	1	24321-000850	O-RING, 1AG85.0	1	1	1					
22	1	26106-100202	BOLT, M10X 20 PLATED	2	2	2					
23	1	729907-01559	COVER ASSY, CASE	1	1	1					
25	2	129916-01800	SEAL, OIL	1	1	1					
26	1	129900-01850	COVER ASSY, CASE	1	1	1					
27	2	129900-01870	SPONGE, COVER	1	1	1					
28	1	129001-91810	BOLT, M8X70	6	6	6					
28-1	1	26106-080702	BOLT, M8X 70 PLATED	6	6	6					R
		(A=EXXXXX)	(C=EXXXXX)								
29	1	26106-080162	BOLT, M8X 16 PLATED	3	3	3					
30	1	26106-080402	BOLT, M8X 40 PLATED	5	5	5					
31	1	129900-14140	BEARING, BALL 6205	1	1	1					
32	1	129900-26250	BEARING, BALL 6206C3	2	2	2					

Remarks

(1)No.16 is interchangeable with a set of No.16-1, 17-2, 18-1 & 19-1.

N:Old $\frac{New}{Old}$ New, Q:Old $\frac{New}{Old}$ New, R:Old $\frac{New}{Old}$ New, S:Old $\frac{New}{Old}$ New, W:Add, Z:Discontinued, F:Interchangeable by set, K:Qty Change
Copyright (C) YANMAR GLOBAL CS CO., LTD. All Rights Reserved.

Fig.3. FLYWHEEL HOUSING & OIL SUMP

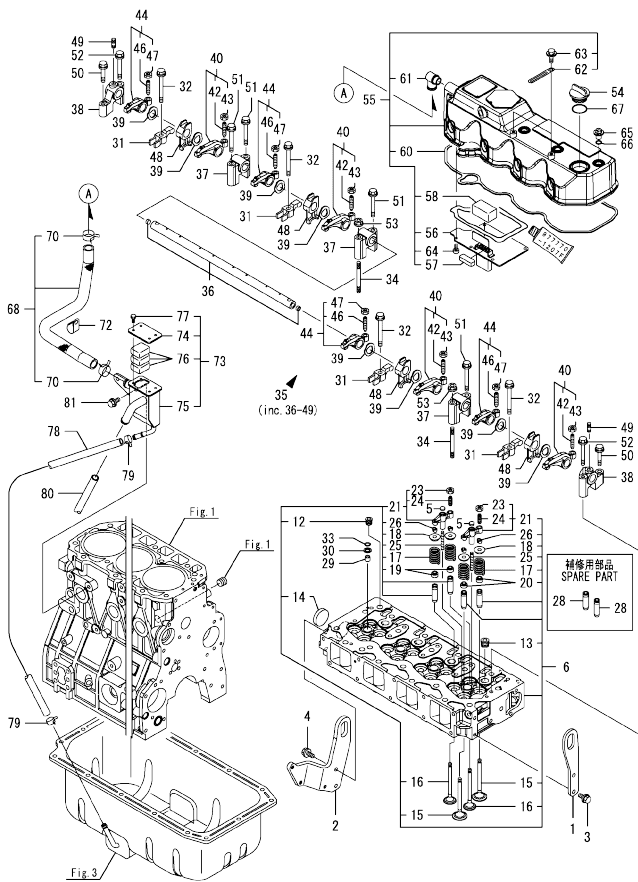


(A)=4TNV98T-ZNSAD
 (B)=4TNV98T-ZNSADT
 (C)=4TNV98T-ZNSADC

(D)=
 (E)=
 (F)=

No.	Lev.	Parts No.	Description	Q'ty					
				(A)	(B)	(C)	(D)	(E)	(F)
1	1	129100-01580	PIN, PARALLEL 8X16	2	2	2			
2	1	129955-01600	HOUSING, FLYWHEEL	1	1	1			
3	1	119620-01750	CAP, WHEEL COVER	1	1	1			
4	1	26206-100352	BOLT, M10X 35 PLATED	9	9	9			
5	1	26206-100702	BOLT, M10X 70 PLATED	3	3	3			
6	1	129916-01790	SEAL, D115/95XT11	1	1	1			
7	1	129948-01740	OIL PAN ASSY	1	1	1			
8	2	119640-01640	PLUG, DRAIN M22	1	1	1			
10	2	22190-220002	WASHER, SEAL 22	1	1	1			
11	1	26106-080122	BOLT, M8X 12 PLATED	16	16	16			

Fig.4. CYLINDER HEAD & BONNET



(A)=4TNV98T-ZNSAD
(B)=4TNV98T-ZNSADT
(C)=4TNV98T-ZNSADC

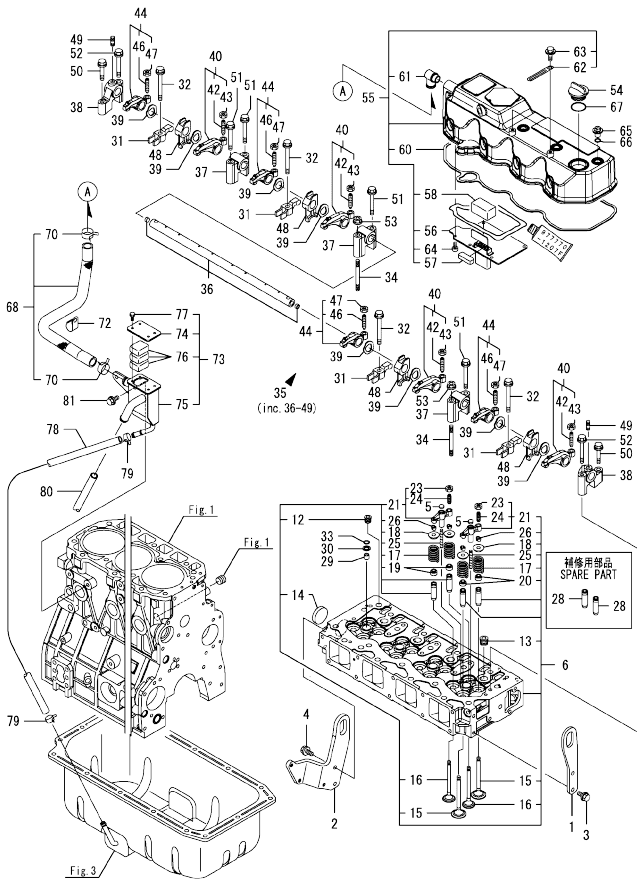
(D)=
(E)=
(F)=

No.	Lev.	Parts No.	Description	Q'ty						I	R
				(A)	(B)	(C)	(D)	(E)	(F)		
1	1	129907-07900	LIFTER, ENGINE	1	1	1					
2	1	129948-07900	LIFTER, ENGINE	1	1	1					
3	1	26106-080162	BOLT, M8X 16 PLATED	2	2	2					
4	1	26106-080202	BOLT, M8X 20 PLATED	2	2	2					
5	1	123907-11550	SEAT, VALVE BRIDGE	8	8	8					
6	1	129928-11700	HEAD ASSY, CYLINDER	1	1	1					
12	2	23876-020000	PLUG, R02	1	1	1					
13	2	23876-030000	PLUG, R03	4	4	4					
14	2	27241-400000	PLUG, 40	1	1	1					
15	2	129907-11100	VALVE, INTAKE	8	8	8					
16	2	129907-11110	VALVE, EXHAUST	8	8	8					
17	2	129907-11120	SPRING, VALVE	16	16	16					
18	2	119620-11180	RETAINER, SPRING	16	16	16					
19	2	119803-11340	SEAL, VALVE STEM	8	8	8					
20	2	124160-11340	SEAL, VALVE STEM	8	8	8					
21	2	129907-11510	BRIDGE ASSY, VALVE	8	8	8					
23	3	129150-11750	NUT, M8XP1.0	8	8	8					
24	3	123907-11830	ADJUSTER, BRIDGE	8	8	8					
25	2	123907-11820	GUIDE, BRIDGE	8	8	8					
26	2	27310-070001	COTTER, 7	16	16	16					
28	1	129907-11800	GUIDE, VALVE	16	16	16					1
29	1	119802-11870	PROTECTOR, NOZZLE	4	4	4					
30	1	119625-11880	SEAT, NOZZLE	4	4	4					
31	1	129907-11910	RETAINER, NOZZLE	4	4	4					
32	1	129907-11950	BOLT, VALVE HOLDER	4	4	4					
33	1	24311-000120	O-RING, 1AP12.0	4	4	4					
34	1	119593-11301	STUD, M8X80	2	2	2					
35	1	129907-11341	SUPPORT ASSY, ROCKER	1	1	1					
36	2	129907-11250	SHAFT, ROCKER ARM	1	1	1					
37	2	129907-11260	SUPPORT, ROCKER A	3	3	3					
38	2	129907-11270	SUPPORT, ROCKER B	2	2	2					
39	2	123907-11280	WASHER, WAVE	8	8	8					
40	2	129907-11650	ARM ASSY, ROCKER INT	4	4	4					
42	3	129150-11230	SCREW, VALVE ADJUST	4	4	4					
43	3	129150-11750	NUT, M8XP1.0	4	4	4					
44	2	129907-11660	ARM ASSY, ROCKER EXH	4	4	4					
46	3	129150-11230	SCREW, VALVE ADJUST	4	4	4					
47	3	129150-11750	NUT, M8XP1.0	4	4	4					
48	2	129907-11920	RETAINER, NOZZLE	4	4	4					
49	2	26226-080222	STUD, M8X 22	2	2	2					
50	1	26106-080402	BOLT, M8X 40 PLATED	2	2	2					
51	1	26106-080602	BOLT, M8X 60 PLATED	4	4	4					
52	1	26106-080602	BOLT, M8X 60 PLATED	2	2	2					
53	1	26306-080002	NUT, M8	2	2	2					
54	1	124160-01751	CAP, FILLER	1	1	1					
55	1	129948-11300	BONNET ASSY, HEAD	1	1	1					
56	2	129907-03011	PLATE, BAFFLE	1	1	1					
57	2	129907-03061	BAFFLE, BREATHER	1	1	1					
58	2	129907-03070	BAFFLE, BREATHER	1	1	1					
60	2	129933-11310	GASKET, BONNET	1	1	1					
61	2	119100-11330	ELBOW, BREATHER	1	1	1					

Remarks
(1) Spare parts.

N:Old $\frac{New}{Old}$ New, Q:Old $\frac{New}{Old}$ New, R:Old $\frac{New}{Old}$ New, S:Old $\frac{New}{Old}$ New, W:Add, Z:Discontinued, F:Interchangeable by set, K:Q'ty Change
++ CONTINUE ++
Copyright (C) YANMAR GLOBAL CS CO., LTD. All Rights Reserved.

Fig.4. CYLINDER HEAD & BONNET



(A)=4TNV98T-ZNSAD
 (B)=4TNV98T-ZNSADT
 (C)=4TNV98T-ZNSADC

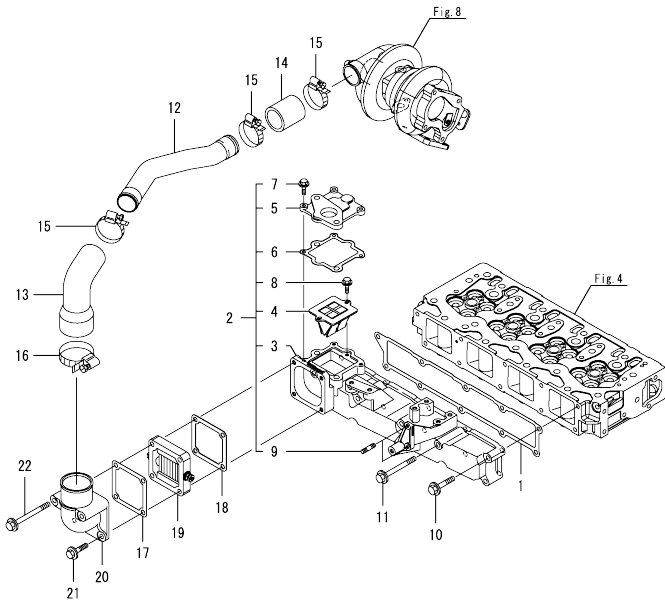
(D)=
 (E)=
 (F)=

No.	Lev.	Parts No.	Description	Q'ty						I	R
				(A)	(B)	(C)	(D)	(E)	(F)		
62	2	129509-79700	CLAMP, 140-M6	2	2	2					
63	2	26106-060122	BOLT, M6X 12 PLATED	2	2	2					
64	2	22857-500100	SCREW, 5X10	6	6	6					
65	1	124160-11360	KNOB, BONNET	4	4	4					
66	1	24311-000120	O-RING, 1AP12.0	4	4	4					
67	1	24311-000320	O-RING, 1AP32.0	1	1	1					
68	1	129948-03080	HOSE ASSY, BREATHER	1	1	1					
70	2	129410-03990	CLAMP, HOSE 21.5	2	2	2					
72	1	129150-03100	RETAINER, PIPE	1	1	1					
73	1	129972-03240	SEPARATOR ASSY, MIST	1	1	1					
74	2	129972-03220	COVER, SEPARATOR	1	1	1					
75	2	129972-03230	SEPARATOR, MIST	1	1	1					
76	2	123901-03240	FILTER	3	3	3					
77	2	26116-050102	BOLT, M5X 10 PLATED	4	4	4					
78	1	123912-03250	HOSE, RETURN	1	1	1					
79	1	23000-022000	CLAMP, 22	2	2	2					
80	1	23065-160250	PIPE, 16X 250	1	1	1					
81	1	26106-080142	BOLT, M8X 14 PLATED	2	2	2					

Remarks
 (1)Spare parts.

N:Old $\frac{100}{100}$ New, Q:Old $\frac{100}{100}$ New, R:Old $\frac{100}{100}$ New, S:Old $\frac{100}{100}$ New, W:Add, Z:Discontinued, F:Interchangeable by set, K:Q'ty Change
 Copyright (C) YANMAR GLOBAL CS CO., LTD. All Rights Reserved.

Fig.5. SUCTION MANIFOLD



(A)=4TNV98T-ZNSAD
(B)=4TNV98T-ZNSADT
(C)=4TNV98T-ZNSADC

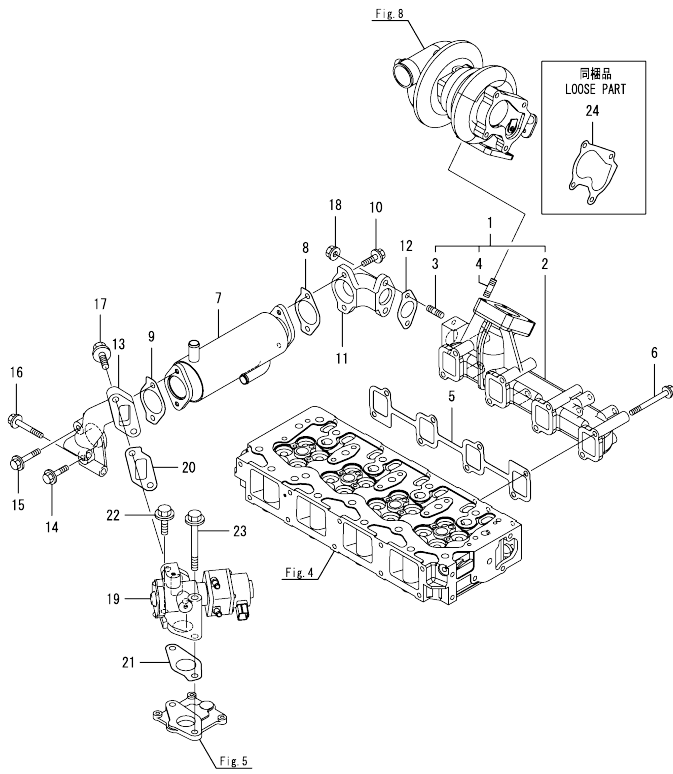
(D)=
(E)=
(F)=

No.	Lev.	Parts No.	Description	Q'ty						I	R
				(A)	(B)	(C)	(D)	(E)	(F)		
1	1	129907-12110	GASKET, MANIFOLD	1	1	1					
2	1	129928-12150	MANIFOLD ASSY,INTAKE	1	1	1					
3	2	129928-12100	MANIFOLD, INTAKE	1	1	1					
4	2	129928-13700	VALVE, REED	1	1	1					
5	2	129928-13710	SPACER, EGR VALVE	1	1	1					
6	2	129928-13720	GASKET, EGR-V SPACER	1	1	1					
7	2	26106-060202	BOLT, M6X 20 PLATED	3	3	3					
8	2	26106-060202	BOLT, M6X 20 PLATED	2	2	2					
9	2	26216-060202	STUD, M6X 20	2	2	2					
10	1	26106-080452	BOLT, M8X 45 PLATED	6	6	6					
11	1	26106-080802	BOLT, M8X 80 PLATED	4	4	4					
12	1	129928-18200	DUCT, AIR	1	1	1					
13	1	129974-18210	JOINT, RUBBER	1	1	1					
14	1	123951-18220	JOINT, RUBBER B	1	1	1					
15	1	23000-054000	CLAMP, 54	3	3	3					
16	1	23000-080000	CLAMP, 80	1	1	1					
17	1	119129-77020	GASKET, AIR HEATER	1	1	1					
18	1	121850-77021	GASKET, AIR HEATER	1	1	1					
19	1	119005-77051	HEATER, AIR	1	1	1					
20	1	119129-77520	BEND, INLET	1	1	1					
21	1	26106-080402	BOLT, M8X 40 PLATED	2	2	2					
22	1	26106-080902	BOLT, M8X 90 PLATED	2	2	2					

Fig.6. EXHAUST MANIFOLD

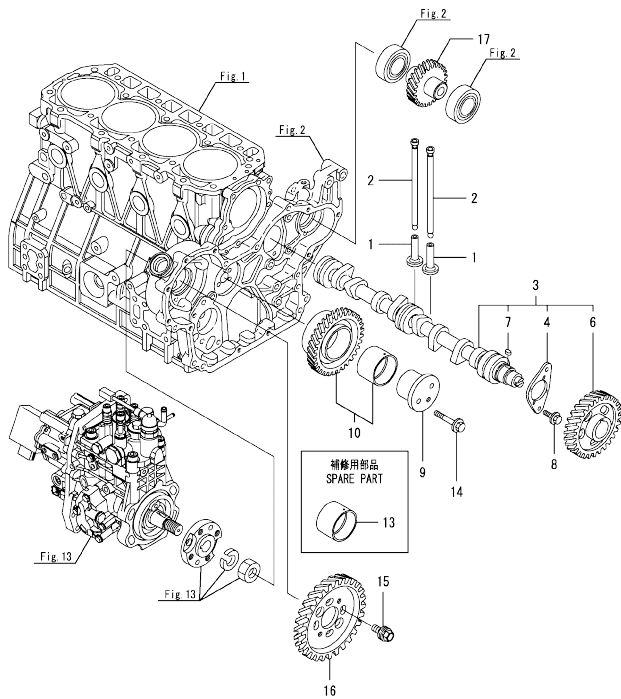
(A)=4TNV98T-ZNSAD
(B)=4TNV98T-ZNSADT
(C)=4TNV98T-ZNSADT

(D)=
(E)=
(F)=



No.	Lev.	Parts No.	Description	Qty						I	R
				(A)	(B)	(C)	(D)	(E)	(F)		
1	1	129928-13150	MANIFOLD ASSY	1	1	1					
2	2	129928-13100	MANIFOLD, EXHAUST	1	1	1					
3	2	129418-18320	STUD, M8X20	2	2	2					
4	2	129418-18320	STUD, M8X20	4	4	4					
5	1	129900-13251	GASKET, MANIFOLD	1	1	1					
6	1	123900-13630	BOLT, M8X80	8	8	8					
7	1	129928-13400	COOLER ASSY, EGR	1	1	1					
8	1	129928-13410	GASKET, EGR COOLER	1	1	1					
9	1	129928-13410	GASKET, EGR COOLER	1	1	1					
10	1	119802-13790	BOLT, M8X25 10.9T	2	2	2					
11	1	129948-13800	PIPE, EGR INLET	1	1	1					
12	1	129927-13810	GASKET, EGR PIPE	1	1	1					
13	1	129948-13810	PIPE, EGR INLET	1	1	1					
14	1	26106-080352	BOLT, M8X 35 PLATED	1	1	1					
15	1	26106-080452	BOLT, M8X 45 PLATED	1	1	1					
16	1	26106-080552	BOLT, M8X 55 PLATED	2	2	2					
17	1	26106-100252	BOLT, M10X 25 PLATED	2	2	2					
18	1	26306-080002	NUT, M8	2	2	2					
19	1	129927-13900	VALVE, EGR	1	1	1					
19-1	1	129928-13900	VALVE, EGR	1	1	1					N
		(A=EC6570)	(C=EC6570)								
20	1	129927-13910	GASKET, EGR	1	1	1					
21	1	129927-13920	GASKET, EGR	1	1	1					
22	1	26106-100402	BOLT, M10X 40 PLATED	1	1	1					
23	1	26106-101052	BOLT, M10X105 PLATED	1	1	1					
24	1	123901-18080	GASKET, TURBINE OUT	1	1	1					

Fig.7. CAMSHAFT & DRIVING GEAR



(A)=4TNV98T-ZNSAD
 (B)=4TNV98T-ZNSADT
 (C)=4TNV98T-ZNSADC

(D)=
 (E)=
 (F)=

No.	Lev.	Parts No.	Description	Q'ty						I	R
				(A)	(B)	(C)	(D)	(E)	(F)		
1	1	129150-14200	TAPPET	8	8	8					
2	1	129907-14400	ROD, PUSH	8	8	8					
3	1	129908-14590	CAMSHAFT ASSY	1	1	1					
4	2	129150-02450	METAL, THRUST	1	1	1					
6	2	129900-14110	GEAR, CAMSHAFT	1	1	1					
7	2	22512-070140	KEY, 7X 14	1	1	1					
8	1	26106-080162	BOLT, M8X 16 PLATED	2	2	2					
9	1	123900-25060	SHAFT, IDLE GEAR	1	1	1					1
10	1	129900-25110	GEAR ASSY, IDLE	1	1	1					
13	1	129150-25920	BUSH, IDLE GEAR	1	1	1					
14	1	26106-080552	BOLT, M8X 55 PLATED	3	3	3					
15	1	129953-25300	BOLT, PUMP BODY	4	4	4					
16	1	129907-25900	GEAR, PUMP	1	1	1					
17	1	129900-26030	GEAR ASSY, PUMP	1	1	1					

Remarks
 (1)Spare parts.

0CW10-M38101 ENGINE
 Fig.8. TURBINE

0CW10-M38101 Fig.8

(A)=4TNV98T-ZNSAD
 (B)=4TNV98T-ZNSADT
 (C)=4TNV98T-ZNSADC

(D)=
 (E)=
 (F)=

No.	Lev.	Parts No.	Description	Q'ty						I	R
				(A)	(B)	(C)	(D)	(E)	(F)		
1	1	129935-18010	TURBINE, RHF5	1	1	1					
2	1	129472-18090	GASKET, TURBINE IN	1	1	1					
3	1	119131-18320	STUD, M8X22	4	4	4					
4	1	26306-080002	NUT, M8	4	4	4					

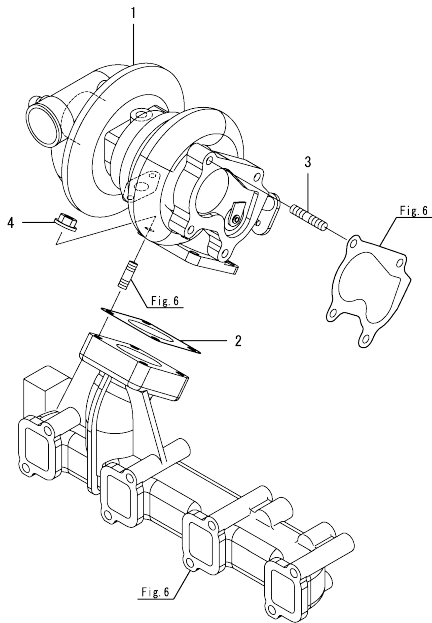
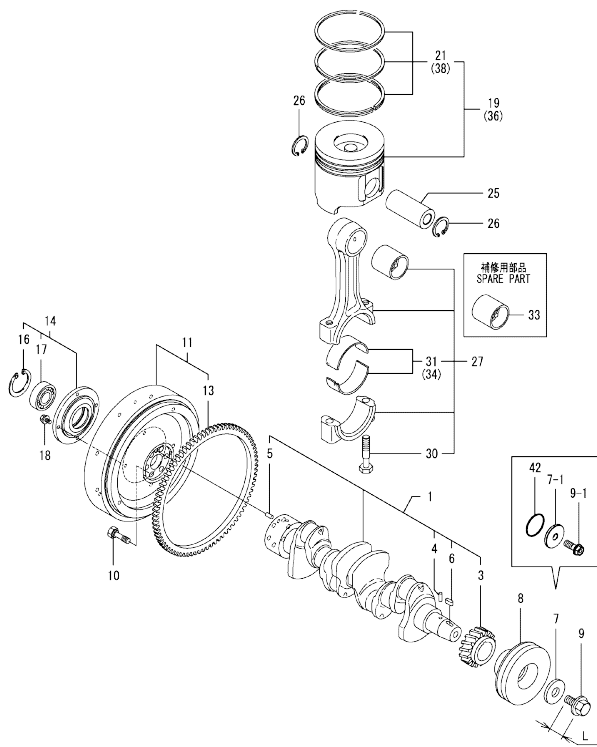


Fig.9. CRANKSHAFT & PISTON



Remarks
 (1)Spare parts.
 (2)Under-sized(U.S.=0.25) parts.
 (3)Over-sized(O.S.=0.25) parts.
 (4)L=No.9 : 30mm, No.9-1 : 35mm.

(A)=4TNV98T-ZNSAD
 (B)=4TNV98T-ZNSADT
 (C)=4TNV98T-ZNSADC

(D)=
 (E)=
 (F)=

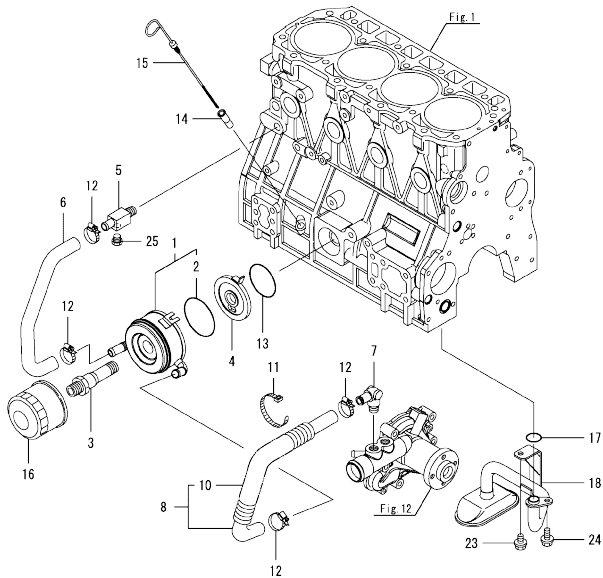
No.	Lev.	Parts No.	Description	Qty						I	R
				(A)	(B)	(C)	(D)	(E)	(F)		
1	1	129908-21100	CRANKSHAFT ASSY	1	1	1					
3	2	129900-21220	GEAR, CRANKSHAFT	1	1	1					
4	2	121850-21290	PIN, CRANK GEAR	1	1	1					
5	2	121850-21920	PIN, PARALLEL 10X22	1	1	1					
6	2	22512-070140	KEY, 7X 14	1	1	1					
7	1	129900-21640	WASHER	1	1	1					
7-1	1	129960-21940	WASHER, V-PULLEY	1	1	1					N
		(A=*2018.08)	(B=E137052)	(C=*2018.08)							
8	1	129907-21660	V-PULLEY, CRANKSHAFT	1	1	1					
9	1	121850-21680	BOLT, V-PULLEY	1	1	1					
9-1	1	129916-21610	BOLT, V-PULLEY	1	1	1					S 4
		(A=EC6570)	(C=EC6570)								
10	1	121850-21130	BOLT, FLYWHEEL	6	6	6					
11	1	129955-21590	FLYWHEEL ASSY	1	1	1					
13	2	129900-21600	GEAR, RING	1	1	1					
14	1	129955-21460	CASE ASSY, BEARING	1	1	1					
16	2	22252-000721	RING, 72	1	1	1					
17	2	24105-063064	BEARING, BALL 6306Z	1	1	1					
17-1	2	24107-063064	BEARING, BALL 6306ZZ	1	1	1					N
		(A=*2011.12)	(C=*2011.12)								
18	1	26106-080222	BOLT, M8X 22 PLATED	4	4	4					
19	1	129928-22080	PISTON ASSY	4	4	4					
21	2	129927-22050	RING SET, PISTON	4	4	4					
25	1	120130-22301	PIN, PISTON	4	4	4					
26	1	22252-000300	RING, 30	8	8	8					
27	1	129900-23001	ROD ASSY, CONNECTING	4	4	4					
30	2	129900-23200	BOLT, CONNECTING ROD	8	8	8					
31	2	129900-23601	METAL ASSY,CRANK PIN	4	4	4					
33	1	129900-23911	METAL, PISTON PIN	4	4	4					1
34	1	129900-23611	METAL ASSY, PIN_25	4	4	4					2
36	1	729928-22900	PISTON ASSY, 0.25 OS	4	4	4					3
38	2	729927-22950	RING SET, PISTON_25	4	4	4					3
42	1	129960-21930	GASKET, WASHER	1	1	1					W
		(A=*2018.08)	(B=E137052)	(C=*2018.08)							

Fig.10. LUB. OIL SYSTEM

(A)=4TNV98T-ZNSAD
 (B)=4TNV98T-ZNSADT
 (C)=4TNV98T-ZNSADC

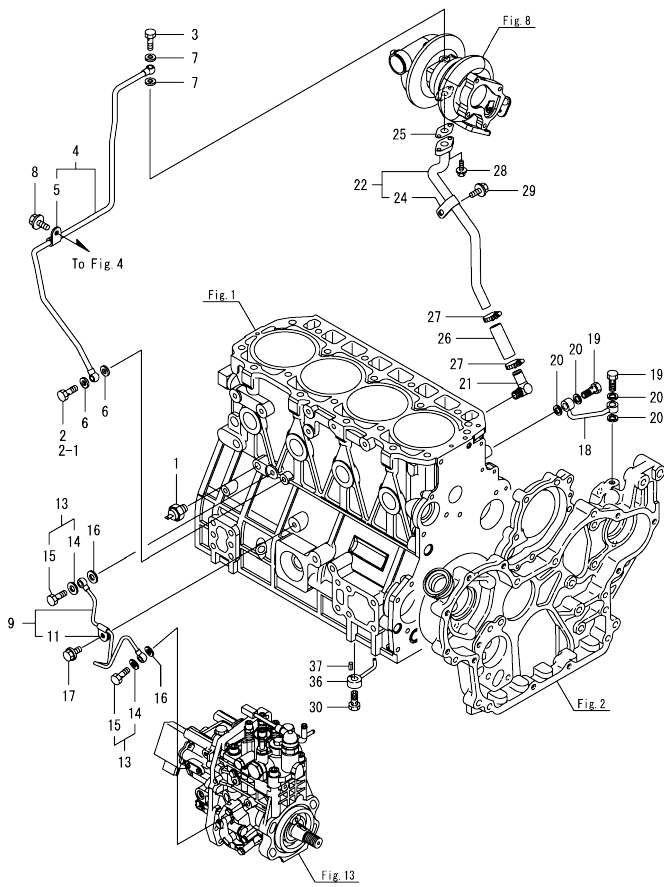
(D)=
 (E)=
 (F)=

No.	Lev.	Parts No.	Description	Q'ty						I	R
				(A)	(B)	(C)	(D)	(E)	(F)		
1	1	129908-33010	COOLER ASSY, OIL	1	1	1					
2	2	123912-33050	O-RING	1	1	1					
3	1	123912-33100	BOLT, COOLER	1	1	1					
4	1	129908-33101	BRACKET, COOLER	1	1	1					
5	1	129006-44480	JOINT, R02	1	1	1					
6	1	129908-49060	HOSE, WATER	1	1	1					
7	1	129466-49300	ELBOW, PT3/8	1	1	1					
8	1	123910-49600	HOSE ASSY WATER	1	1	1					
10	2	123910-49610	TUBE, CORRUGATED	1	1	1					
11	1	121750-59890	BAND, NYLON	1	1	1					
12	1	23000-025000	CLAMP, 25	4	4	4					
13	1	24321-000600	O-RING, 1AG60.0	1	1	1					
14	1	121520-34810	GUIDE, DIPSTICK	1	1	1					
15	1	129953-34830	DIPSTICK, OIL	1	1	1					
16	1	129150-35170	FILTER ASSY, D80X80L	1	1	1					
17	1	129900-32030	O-RING, P20	1	1	1					
18	1	129953-35000	PIPE ASSY, OIL INLET	1	1	1					
23	1	26106-080122	BOLT, M8X 12 PLATED	1	1	1					
24	1	26106-080162	BOLT, M8X 16 PLATED	1	1	1					
25	1	171056-49120	PLUG, DRAIN R1/4	1	1	1					



Remarks
 (1) Spare parts.

Fig.11. LUB. OIL PIPE

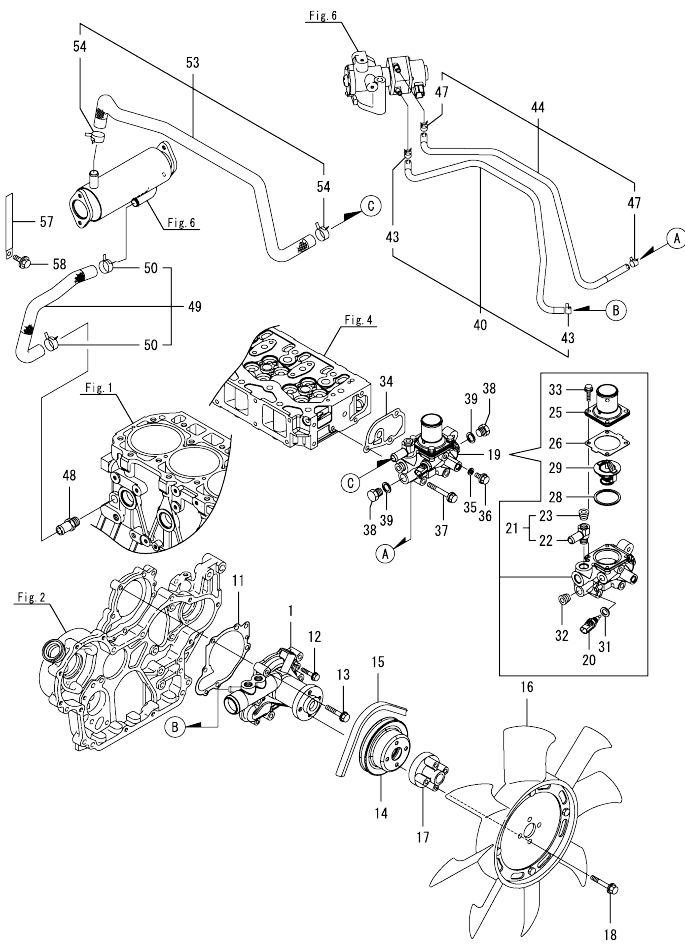


(A)=4TNV98T-ZNSAD
(B)=4TNV98T-ZNSADT
(C)=4TNV98T-ZNSADC

(D)=
(E)=
(F)=

No.	Lev.	Parts No.	Description	Q'ty						I	R
				(A)	(B)	(C)	(D)	(E)	(F)		
1	1	119761-39450	SWITCH, HYDRAULIC	1	1	1					
2	1	105010-39140	BOLT, PIPE JOINT M8	1	1	1					
2-1	1	129198-59540	BOLT, PIPE JOINT M8	1	1	1					S
3	1	121252-39150	BOLT, JOINT M10X1.5	1	1	1					
4	1	129928-39450	PIPE ASSY, OIL	1	1	1					
5	2	124223-39900	RETAINER	1	1	1					
6	1	22190-080002	WASHER, SEAL 8	2	2	2					
7	1	23414-100000	GASKET, 10X1.0	2	2	2					
8	1	26106-080122	BOLT, M8X 12 PLATED	1	1	1					
9	1	129927-39060	PIPE ASSY, OIL	1	1	1					
11	2	123907-39500	RETAINER, PIPE	1	1	1					
13	1	129005-59830	BOLT ASSY, JOINT M8	2	2	2					
14	2	22190-080002	WASHER, SEAL 8	2	2	2					
15	2	23857-030000	BOLT, JOINT 3	2	2	2					
16	1	22190-080002	WASHER, SEAL 8	2	2	2					
17	1	26106-080122	BOLT, M8X 12 PLATED	1	1	1					
18	1	129930-39050	PIPE, HO PUMP	1	1	1					
19	1	105010-39140	BOLT, PIPE JOINT M8	2	2	2					
20	1	22190-080002	WASHER, SEAL 8	4	4	4					
21	1	124070-13300	ELBOW, PT3/8	1	1	1					
22	1	129935-39610	PIPE, OIL RETURN	1	1	1					
24	2	123910-39850	RETAINER	1	1	1					
25	1	129908-39690	GASKET, RETURN PIPE	1	1	1					
26	1	123901-39820	HOSE, OIL RETURN	1	1	1					
27	1	23000-025000	CLAMP, 25	2	2	2					
28	1	26106-060162	BOLT, M6X 16 PLATED	2	2	2					
29	1	26106-080122	BOLT, M8X 12 PLATED	1	1	1					
30	1	129908-39410	VALVE ASSY, CHECK	4	4	4					
36	1	119000-39650	NOZZLE, COOLING	4	4	4					
37	1	22351-030010	PIN, SPRING 3.0X10	4	4	4					

Fig.12. COOLING WATER SYSTEM



(A)=4TNV98T-ZNSAD
(B)=4TNV98T-ZNSADT
(C)=4TNV98T-ZNSADC

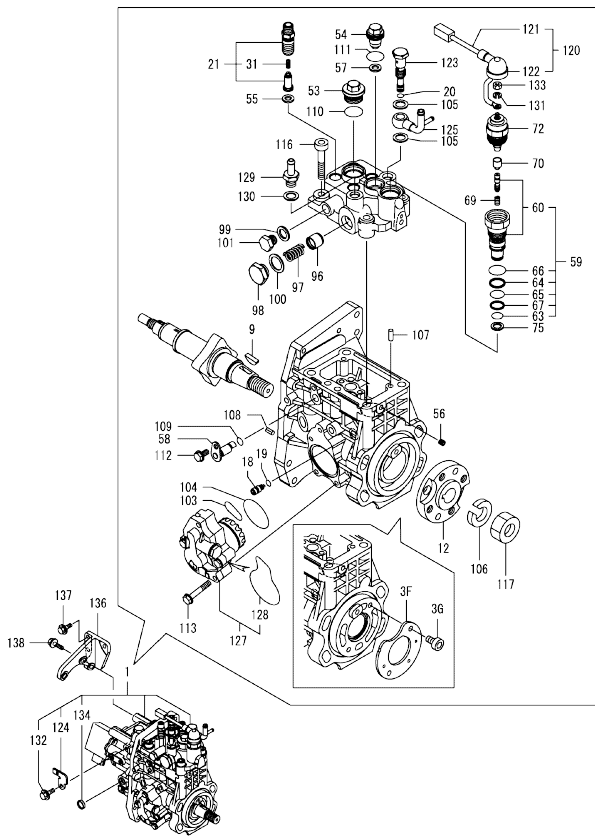
(D)=
(E)=
(F)=

No.	Lev.	Parts No.	Description	Q'ty						I	R
				(A)	(B)	(C)	(D)	(E)	(F)		
1	1	129927-42000	PUMP ASSY, WATER	1	1	1					
11	1	129900-42020	GASKET, WATER PUMP	1	1	1					
12	1	26106-060302	BOLT, M6X 30 PLATED	2	2	2					
13	1	26106-080552	BOLT, M8X 55 PLATED	5	5	5					
14	1	129900-42461	V-PULLEY, PUMP	1	1	1					
14-1	1	129900-42462	V-PULLEY, PUMP	1	1	1					R
(A=EJ2397) (C=EJ2397)											
15	1	25132-004150	V-BELT, A41.5	1	1	1					
16	1	129920-44740	FAN, COOLING D=430	1	1	1					
17	1	119141-44760	SPACER, FAN	1	1	1					
18	1	26106-080552	BOLT, M8X 55 PLATED	4	4	4					
19	1	129928-49800	CASE ASSY, THERMOSTAT	1	1	1					
20	2	129927-44900	SENSOR, TEMPERATURE	1	1	1					
21	2	129928-49400	JOINT ASSY	1	1	1					
22	3	129928-49410	JOINT	1	1	1					
23	3	23875-030000	PLUG, R03	1	1	1					
25	2	129916-49530	COVER, THERMOSTAT	1	1	1					
26	2	121850-49540	GASKET, THERMOSTAT	1	1	1					
28	2	121850-49550	GASKET, THERMOSTAT	1	1	1					
29	2	121850-49810	THERMOSTAT, 71C	1	1	1					
29-1	2	121850-49811	THERMOSTAT, 71C	1	1	1					N
(A=EE6220) (C=EE6220)											
31	2	22190-120002	WASHER, SEAL 12	1	1	1					
32	2	23875-030000	PLUG, R03	1	1	1					
33	2	26106-060202	BOLT, M6X 20 PLATED	4	4	4					
34	1	129900-49870	GASKET, THERMOSTAT	1	1	1					
35	1	23414-080000	GASKET, 8X1.0	1	1	1					
36	1	26106-080122	BOLT, M8X 12 PLATED	1	1	1					
37	1	26106-080602	BOLT, M8X 60 PLATED	3	3	3					
38	1	121450-42450	PLUG, M16	2	2	2					
39	1	124465-44950	GASKET, 16	2	2	2					
40	1	129927-49610	HOSE ASSY, WATER A	1	1	1					
43	2	23080-012000	CLAMP, 12	2	2	2					
44	1	129927-49620	HOSE ASSY, WATER B	1	1	1					
47	2	23080-012000	CLAMP, 12	2	2	2					
48	1	129928-49420	JOINT	1	1	1					
49	1	129948-49610	HOSE, COOLER INLET	1	1	1					
50	2	129960-03990	CLAMP, HOSE 19.8	2	2	2					
53	1	129948-49620	HOSE, COOLER OUTLET	1	1	1					
54	2	129960-03990	CLAMP, HOSE 19.8	2	2	2					
57	1	129928-79700	CLAMP, 150-M8	1	1	1					
58	1	26106-080122	BOLT, M8X 12 PLATED	1	1	1					

Fig.13. FUEL INJECTION PUMP

(A)=4TNV98T-ZNSAD
(B)=4TNV98T-ZNSADT
(C)=4TNV98T-ZNSADC

(D)=
(E)=
(F)=



No.	Lev.	Parts No.	Description	Qty						I	R
				(A)	(B)	(C)	(D)	(E)	(F)		
1	1	729928-51300	PUMP ASSY, INJECTION	1	1	1					1
3F	2	129928-51900 (A=EC6570)	COVER, OIL (C=EC6570)	1	1	1					W
3G	2	129008-51920 (A=EC6570)	BOLT, M6X10 (C=EC6570)	2	2	2					W
9	2	144626-51090	KEY, FEATHER 5X19	1	1	1					
12	2	158563-51150	FLANGE	1	1	1					
18	2	158600-51270	STOPPER, TAPPET	1	1	1					
19	2	158563-51281	O-RING, 4D S6	1	1	1					
20	2	158563-51281	O-RING, 4D S6	1	1	1					
21	2	129928-51390	VALVE ASSY, DELIVERY	4	4	4					
31	3	158563-51330	SPRING, DELIVERY	4	4	4					
53	2	158601-51550	PLUG, M22	1	1	1					
54	2	129907-51560	PLUG, M16	1	1	1					
55	2	158552-51571	GASKET, BARREL PLUG	4	4	4					
56	2	158557-51570	PLUG, RACK	1	1	1					
57	2	129906-51580	GASKET, BARREL PLUG	1	1	1					
58	2	158552-51580	LIFTER, LINK	1	1	1					
59	2	129657-51590	TIMER ASSY	1	1	1					
60	3	129657-51600	TIMER ASSY	1	1	1					
63	3	158553-51670	O-RING, PUMP TIMER	1	1	1					
64	3	119802-51680	RING, BACKUP	1	1	1					
65	3	119802-51690	O-RING, 1016	1	1	1					
66	3	24356-010200	O-RING, 4D1020	1	1	1					
66-1	3	24356-190200 (A=EXXXXX)	O-RING, 4D19020 (C=EXXXXX)	1	1	1					R
67	3	24372-000150	RING, BACK UP T2P15	1	1	1					
69	2	119852-51630	SPRING, TIMER	1	1	1					
70	2	119852-51640	CAP, TIMER	1	1	1					
72	2	119852-51650	VALVE ASSY, SOLENOID	1	1	1					
75	2	158553-51680	GASKET, TIMER	1	1	1					
96	2	158601-51770	PISTON, ACCUMULATOR	1	1	1					
97	2	158552-51781	SPRING, ACCUMULATOR	1	1	1					
98	2	158601-51790	PLUG, ACCUMULATOR	1	1	1					
99	2	22190-120002	WASHER, SEAL 12	1	1	1					
100	2	22190-180002	WASHER, SEAL 18	1	1	1					
101	2	23887-120002	PLUG, 12	1	1	1					
101-1	2	158553-51930 (A=EC6570)	PLUG, M12 (C=EC6570)	1	1	1					R
103	2	158552-52310	O-RING, FEED PUMP	1	1	1					
103-1	2	158552-52311 (A=EC6570)	O-RING, FEED PUMP (C=EC6570)	1	1	1					R
104	2	158552-52400	O-RING, 4E S42	1	1	1					
105	2	22190-120002	WASHER, SEAL 12	2	2	2					
106	2	22217-180000	WASHER, SPRING 18	1	1	1					
107	2	22312-050140	PIN, PARALLEL 5X14	2	2	2					
108	2	22351-050010	PIN, SPRING 5.0X10	2	2	2					
109	2	24311-000070	O-RING, 1AP7.0	1	1	1					
110	2	24356-010200	O-RING, 4D1020	1	1	1					
110-1	2	24356-190200 (A=EXXXXX)	O-RING, 4D19020 (C=EXXXXX)	1	1	1					R

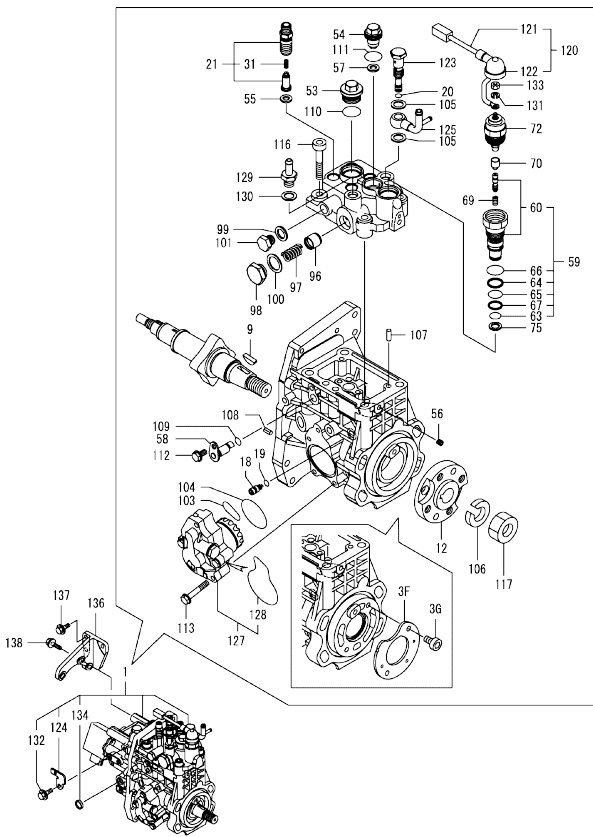
Remarks

- (1)Governor(Fig.14) is incorporated in this Fuel Injection Pump(No.1).
- (1)Eco pump
- Make sure to update the engines ECU information when replacing the Eco pump.
- Failing to do so will result in engine malfunction.

Fig.13. FUEL INJECTION PUMP

(A)=4TNV98T-ZNSAD
(B)=4TNV98T-ZNSADT
(C)=4TNV98T-ZNSADC

(D)=
(E)=
(F)=



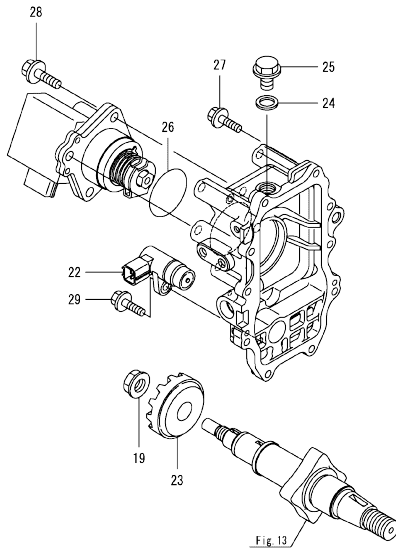
No.	Lev.	Parts No.	Description	Q'ty						I	R
				(A)	(B)	(C)	(D)	(E)	(F)		
111	2	24356-020210	O-RING, 4D2021	1							
111-1	2	24356-240210 (A=EXXXXX) (C=EXXXXX)	O-RING, 4D24021	1	1	1					R
112	2	26106-060102	BOLT, M6X 10 PLATED	1	1	1					
113	2	26106-060352	BOLT, M6X 35 PLATED	4	4	4					
116	2	26450-100452	BOLT, M10X 45	4	4	4					
117	2	26776-180002	NUT, LOCK M18	1	1	1					
120	2	129927-51650	HARNESS ASSY, WIRE	1	1	1					
121	3	129927-51660	HARNESS	1	1	1					
122	3	129263-77941	CAP, RUBBER	1	1	1					
123	2	158601-51650	JOINT, OVERFLOW	1	1	1					
124	2	129927-51670	BRACKET	1	1	1					
125	2	158552-51670	JOINT, OVERFLOW	1	1	1					
127	2	158552-52100	PUMP ASSY, FUEL FEED	1	1	1					
128	3	158552-52500	O-RING, PUMP INNER	1	1	1					
129	2	119934-59910	JOINT, PIPE	1	1	1					
130	2	22190-120002	WASHER, SEAL 12	1	1	1					
131	2	22217-050000	WASHER, SPRING 5	1	1	1					
132	2	26106-060122	BOLT, M6X 12 PLATED	1	1	1					
133	2	26716-050002	NUT, M5	1	1	1					
134	2	27241-160000	PLUG, 16	1	1	1					
136	1	129927-51250	RETAINER, FUEL PUMP	1	1	1					
137	1	26106-080202	BOLT, M8X 20 PLATED	3	3	3					
138	1	26106-080302	BOLT, M8X 30 PLATED	3	3	3					

Remarks

- (1)Governor(Fig.14) is incorporated in this Fuel Injection Pump(No.1).
 - (1)Eco pump
- Make sure to update the engines ECU information when replacing the Eco pump.
Failing to do so will result in engine malfunction.

0CW10-M38101 ENGINE
 Fig.14. GOVERNOR

0CW10-M38101 Fig.14



(A)=4TNV98T-ZNSAD
 (B)=4TNV98T-ZNSADT
 (C)=4TNV98T-ZNSADC

(D)=
 (E)=
 (F)=

No.	Lev.	Parts No.	Description	Q'ty						I	R
				(A)	(B)	(C)	(D)	(E)	(F)		
19	2	129008-61301	NUT, SUPPORT	1	1	1					
22	2	158557-61720	SENSOR, ROTATION	1	1	1					
23	2	158553-61780	GEAR, SENSOR	1	1	1					
24	2	23414-120000	GASKET, 12X1.0	1	1	1					
24-1	2	22190-120002	WASHER, SEAL 12	1	1	1					N
		(A=EXXXXX)	(C=EXXXXX)								
25	2	23887-120002	PLUG, 12	1	1	1					
25-1	2	158553-51930	PLUG, M12	1	1	1					R
		(A=EC6570)	(C=EC6570)								
26	2	24341-000480	O-RING, 1AS48.0	1	1	1					
27	2	26106-060252	BOLT, M6X 25 PLATED	10	10	10					
28	2	26106-080252	BOLT, M8X 25 PLATED	3	3	3					
29	2	26106-060162	BOLT, M6X 16 PLATED	1	1	1					

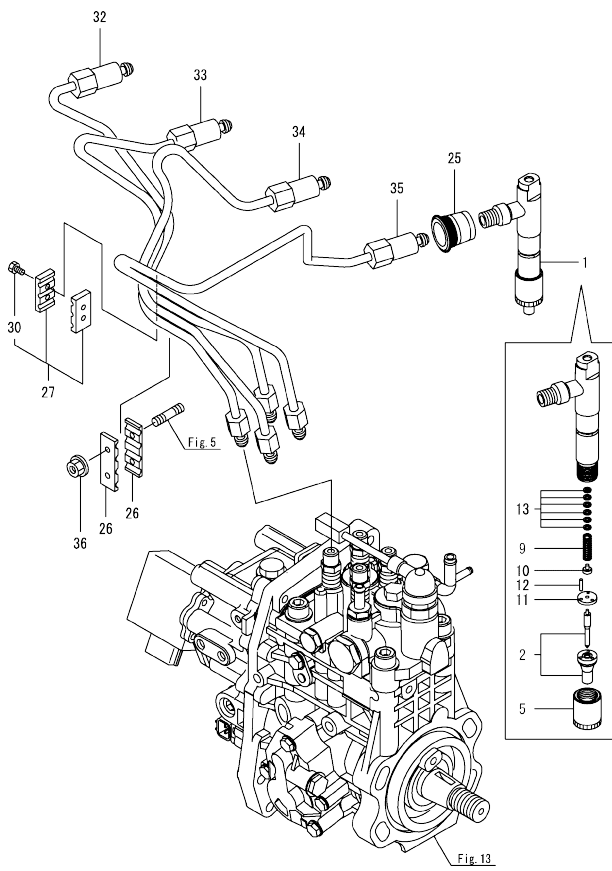
Remarks
 * This figure(Governor) is incorporated in the Fuel Injection Pump(Fig.13).

N:Old $\frac{100}{100}$ New, Q:Old $\frac{100}{100}$ New, R:Old $\frac{100}{100}$ New, S:Old $\frac{100}{100}$ New, W:Add, Z:Discontinued, F:Interchangeable by set, K:Qty Change
 Copyright (C) YANMAR GLOBAL CS CO., LTD. All Rights Reserved.

Fig.15. FUEL INJECTION VALVE

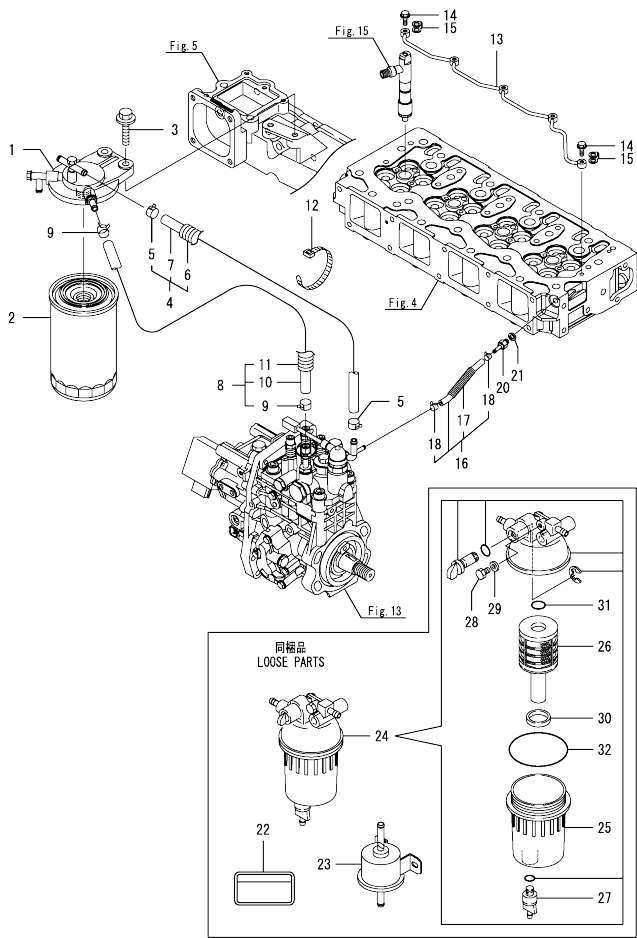
(A)=4TNV98T-ZNSAD
(B)=4TNV98T-ZNSADT
(C)=4TNV98T-ZNSADC

(D)=
(E)=
(F)=



No.	Lev.	Parts No.	Description	Q'ty						I	R
				(A)	(B)	(C)	(D)	(E)	(F)		
1	1	729928-53100	VALVE ASSY,INJECTION	4	4	4					
2	2	129928-53000	VALVE ASSY,INJECTION	4	4	4					
5	2	114250-53080	NUT, NOZZLE	4	4	4					
9	2	114250-53120	SPRING, NOZZLE	4	4	4					
10	2	114250-53130	SEAT, SPRING	4	4	4					
11	2	114250-53140	SPACER, VALVE STOP	4	4	4					
12	2	114250-53210	PIN, POSITIONING	8	8	8					
13	2	114250-53400	SHIM SET	4	4	4					
13-1	2	119803-53400	SHIM SET	4	4	4					R
(A=EC6570)				(C=EC6570)							
25	1	123907-11601	SEAL, PIPE	4	4	4					
26	1	123472-59120	RETAINER, PIPE	2	2	2					
27	1	129150-59120	RETAINER, PIPE	1	1	1					
30	2	129150-59131	BOLT, M4X14	2	2	2					
32	1	129927-59810	PIPE ASSY, INJECTION	1	1	1					
33	1	129927-59820	PIPE ASSY, INJECTION	1	1	1					
34	1	129927-59830	PIPE ASSY, INJECTION	1	1	1					
35	1	129927-59840	PIPE ASSY, INJECTION	1	1	1					
36	1	26366-060002	NUT, M6	2	2	2					

Fig.16. FUEL PIPE

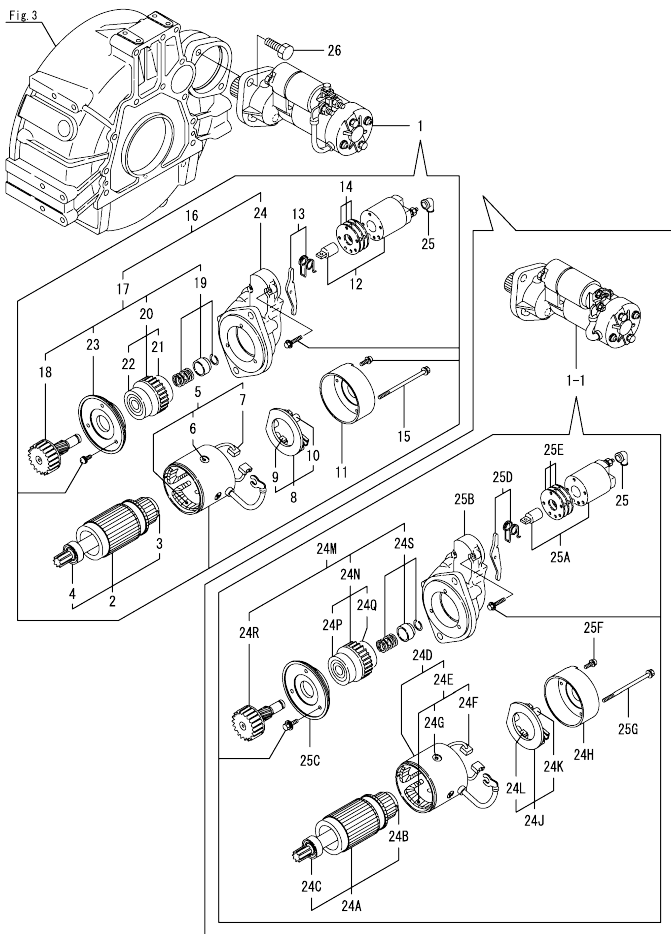


(A)=4TNV98T-ZNSAD
(B)=4TNV98T-ZNSADT
(C)=4TNV98T-ZNSADT

(D)=
(E)=
(F)=

No.	Lev.	Parts No.	Description	Q'ty						I	R
				(A)	(B)	(C)	(D)	(E)	(F)		
1	1	129004-55612	BRACKET, FILTER	1	1	1					
2	1	123907-55810	FILTER, FUEL	1	1	1					
3	1	26106-080302	BOLT, M8X 30 PLATED	2	2	2					
4	1	129457-59010	HOSE ASSY, FUEL	1	1	1					
5	2	124766-59050	CLAMP, HOSE 11.5	2	2	2					
6	2	129957-59120	TUBE, CORRUGATED 15	1	1	1					
7	2	105025-59750	HOSE, FUEL	1	1	1					
8	1	129961-59310	HOSE ASSY, FUEL	1	1	1					
9	2	124766-59050	CLAMP, HOSE 11.5	2	2	2					
10	2	129136-59110	HOSE, D13/7.5X270	1	1	1					
11	2	129961-59110	TUBE, CORRUGATED 15	1	1	1					
12	1	121750-59890	BAND, NYLON	1	1	1					
13	1	129907-59140	PIPE ASSY, RETURN	1	1	1					
14	1	123907-59540	BOLT, PIPE JOINT M6	5	5	5					
15	1	123907-59550	GASKET, FUEL RETURN	5	5	5					
16	1	129927-59550	HOSE ASSY RETURN	1	1	1					
17	2	129263-49750	TUBE, CORRUGATED	1	1	1					
18	2	124722-59050	CLAMP, HOSE 9	2	2	2					
20	1	123907-59560	JOINT, HOSE	1	1	1					
21	1	22190-080002	WASHER, SEAL 8	1	1	1					
22	1	114110-07760	LABEL, FUEL CAUTION	1	1	1					
22-1	1	114110-07761	LABEL, FUEL CAUTION (C=EG7401)	1	1	1					N
23	1	119225-52102	PUMP, FUEL FEED (A=EG7401)	1	1	1					
24	1	129242-55700	SEPARATOR ASSY, WATER (C=EXXXXX)	1	1	1					
24-1	1	129242-55701	SEPARATOR ASSY, WATER (C=EXXXXX)	1	1	1					N
25	2	129242-55720	CUP, SEPARATOR	1	1	1					
26	2	129242-55730	ELEMENT, FUEL FILTER	1	1	1					
27	2	129242-55740	PLUG, DRAIN	1	1	1					
28	2	129242-55750	VALVE, AIR VENT	1	1	1					
29	2	129242-55760	GASKET, PLUG	1	1	1					
30	2	129242-55770	FLOAT	1	1	1					
31	2	24311-000160	O-RING, 1AP16.0	1	1	1					
32	2	24321-000750	O-RING, 1AG75.0	1	1	1					

Fig.17. STARTER MOTOR



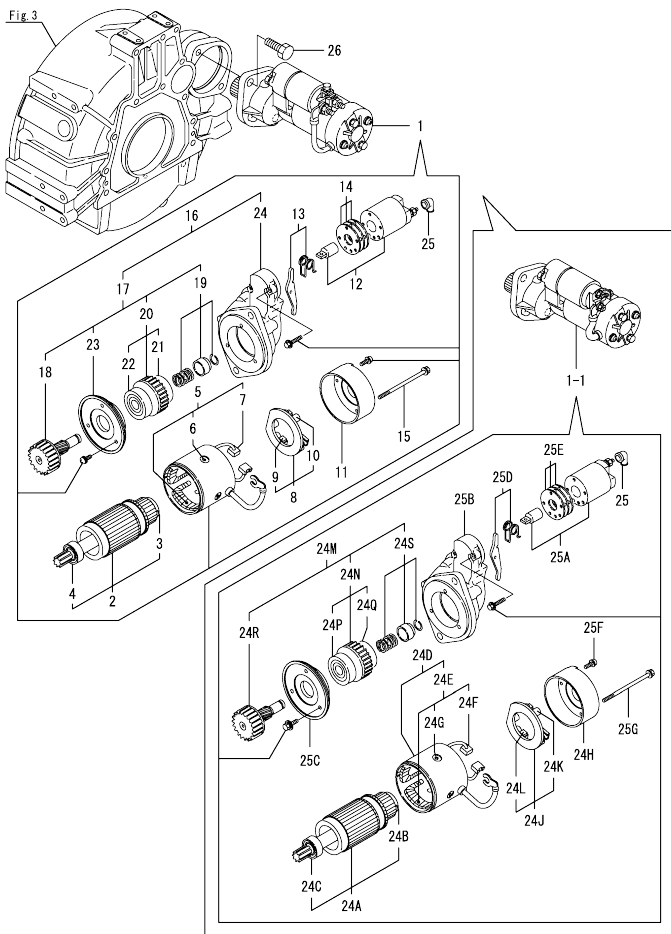
(A)=4TNV98T-ZNSAD
(B)=4TNV98T-ZNSADT
(C)=4TNV98T-ZNSADC

(D)=
(E)=
(F)=

No.	Lev.	Parts No.	Description	Q'ty						I	R
				(A)	(B)	(C)	(D)	(E)	(F)		
1	1	129900-77010	STARTER, 12V 2.3KW	1							
1-1	1	129900-77040 (A=EC6570)	STARTER, 12V 2.3KW (C=EC6570)	1	1						R
2	2	129900-77400 (A=EC6570)	ARMATURE ASSY (C=EC6570)	1		1					Z
3	3	X2114155110 (A=EC6570)	BEARING, BALL (C=EC6570)	1		1					Z
4	3	X2114255110 (A=EC6570)	BEARING, BALL (C=EC6570)	1		1					Z
5	2	129900-77440 (A=EC6570)	COIL ASSY, FIELD (C=EC6570)	1		1					Z
6	3	171008-77450 (A=EC6570)	SCREW, CORE SET (C=EC6570)	4		4					Z
7	3	129900-77450 (A=EC6570)	BRUSH, + (C=EC6570)	2		2					Z
8	2	129900-77480 (A=EC6570)	HOLDER ASSY, BRUSH (C=EC6570)	1		1					Z
9	3	129900-77450 (A=EC6570)	BRUSH, + (C=EC6570)	2		2					Z
10	3	X2130631300 (A=EC6570)	SPRING, BRUSH (C=EC6570)	4		4					Z
11	2	129900-77460 (A=EC6570)	COVER, REAR (C=EC6570)	1		1					Z
12	2	129900-77591 (A=EC6570)	SWITCH ASSY, MAGNET (C=EC6570)	1		1					Z
13	2	129900-77620 (A=EC6570)	LEVER SET, SHIFT (C=EC6570)	1		1					Z
14	2	129900-77650 (A=EC6570)	COVER KIT, DUST (C=EC6570)	1		1					Z
15	2	129900-77640 (A=EC6570)	BOLT, THROUGH (C=EC6570)	2		2					Z
16	2	129900-77700 (A=EC6570)	CASE ASSY, GEAR (C=EC6570)	1		1					Z
17	3	129900-77510 (A=EC6570)	PINION ASSY,W/CLUTCH (C=EC6570)	1		1					Z
18	4	129900-77540 (A=EC6570)	SHAFT, PINION (C=EC6570)	1		1					Z
19	4	129900-77550 (A=EC6570)	STOPPER SET, PINION (C=EC6570)	1		1					Z
20	4	129900-77520 (A=EC6570)	CLUTCH ASSY (C=EC6570)	1		1					Z
21	5	171008-77730 (A=EC6570)	BEARING, BALL 3 (C=EC6570)	1		1					Z
22	5	171008-77740 (A=EC6570)	BEARING, BALL 4 (C=EC6570)	1		1					Z
23	4	129900-77610 (A=EC6570)	RETAINER, BEARING (C=EC6570)	1		1					Z
24	3	129900-77710 (A=EC6570)	CASE, GEAR (C=EC6570)	1		1					Z
24A	2	129900-77120 (A=EC6570)	ARMATURE ASSY (C=EC6570)	1	1	1					W

N:Old $\frac{New}{Old}$ New, Q:Old $\frac{New}{Old}$ New, R:Old $\frac{New}{Old}$ New, S:Old $\frac{New}{Old}$ New, W:Add, Z:Discontinued, F:Interchangeable by set, K:Q'ty Change
 ++ CONTINUE ++
 Copyright (C) YANMAR GLOBAL CS CO., LTD. All Rights Reserved.

Fig.17. STARTER MOTOR



(A)=4TNV98T-ZNSAD
(B)=4TNV98T-ZNSADT
(C)=4TNV98T-ZNSADC

(D)=
(E)=
(F)=

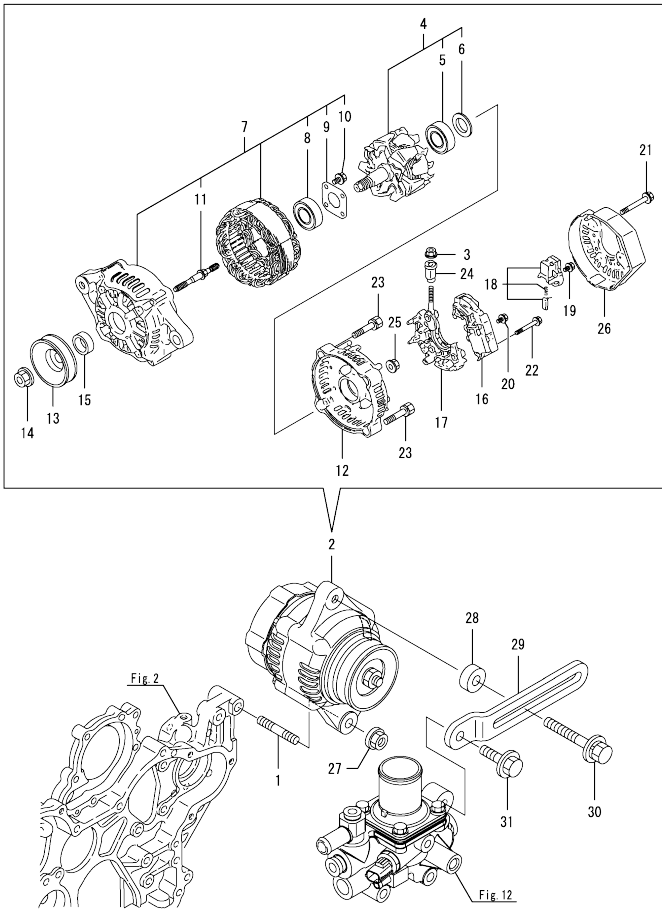
No.	Lev.	Parts No.	Description	Qty						I	R
				(A)	(B)	(C)	(D)	(E)	(F)		
24B	3	171008-77410 (A=EC6570)	BEARING, BALL 1 (C=EC6570)	1	1	1					W
24C	3	171008-77420 (A=EC6570)	BEARING, BALL 2 (C=EC6570)	1	1	1					W
24D	2	129900-77130 (A=EC6570)	YOKE ASSY (C=EC6570)	1	1	1					W
24E	3	129900-77140 (A=EC6570)	COIL ASSY, FIELD (C=EC6570)	1	1	1					W
24F	4	129900-77450 (A=EC6570)	BRUSH, + (C=EC6570)	2	2	2					W
24G	4	171008-77450 (A=EC6570)	SCREW, CORE SET (C=EC6570)	4	4	4					W
24H	2	129900-77150 (A=EC6570)	COVER, REAR (C=EC6570)	1	1	1					W
24J	2	129900-77160 (A=EC6570)	HOLDER ASSY, BRUSH (C=EC6570)	1	1	1					W
24K	3	X2130631300 (A=EC6570)	SPRING, BRUSH (C=EC6570)	4	4	4					W
24L	3	129900-77450 (A=EC6570)	BRUSH, + (C=EC6570)	2	2	2					W
24M	2	129900-77170 (A=EC6570)	CLUTCH ASSY, PINION (C=EC6570)	1	1	1					W
24N	3	129900-77180 (A=EC6570)	CLUTCH ASSY (C=EC6570)	1	1	1					W
24P	4	129900-77190 (A=EC6570)	BEARING, BALL 4 (C=EC6570)	1	1	1					W
24Q	4	X2114955020 (A=EC6570)	BEARING, BALL (C=EC6570)	1	1	1					W
24R	3	129900-77270 (A=EC6570)	SHAFT, PINION (C=EC6570)	1	1	1					W
24S	3	171008-77670 (A=EC6570)	STOPPER SET, PINION (C=EC6570)	1	1	1					W
25	2	171008-77750	COVER, TERMINAL	1	1	1					
25A	2	129900-77280 (A=EC6570)	SWITCH ASSY, MAGNET (C=EC6570)	1	1	1					W
25B	2	129900-77290 (A=EC6570)	CASE, GEAR (C=EC6570)	1	1	1					W
25C	2	129900-77380 (A=EC6570)	RETAINER, BEARING (C=EC6570)	1	1	1					W
25D	2	129900-77390 (A=EC6570)	LEVER ASSY, SHIFT (C=EC6570)	1	1	1					W
25E	2	129900-77420 (A=EC6570)	COVER KIT, DUST (C=EC6570)	1	1	1					W
25F	2	129900-77430 (A=EC6570)	SCREW, M4X10 (C=EC6570)	2	2	2					W
25G	2	129685-77640 (A=EC6570)	BOLT, THROUGH (C=EC6570)	2	2	2					W
26	1	26116-120302	BOLT, M12X 30 PLATED	2	2	2					
26-1	1	26106-120252 (A=EXXXXX)	BOLT, M12X 25 PLATED (C=EXXXXX)	2	2	2					R

N:Old $\frac{100}{100}$ New, Q:Old $\frac{100}{100}$ New, R:Old $\frac{100}{100}$ New, S:Old $\frac{100}{100}$ New, W:Add, Z:Discontinued, F:Interchangeable by set, K:Qty Change
Copyright (C) YANMAR GLOBAL CS CO., LTD. All Rights Reserved.

Fig.18. GENERATOR

(A)=4TNV98T-ZNSAD
(B)=4TNV98T-ZNSADT
(C)=4TNV98T-ZNSADC

(D)=
(E)=
(F)=



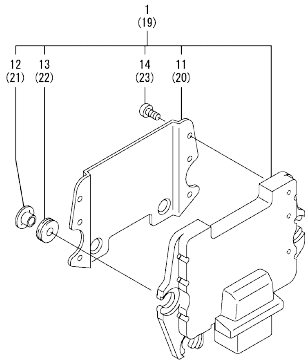
No.	Lev.	Parts No.	Description	Q'ty						I	R
				(A)	(B)	(C)	(D)	(E)	(F)		
1	1	129795-01900	BOLT, M10X30	1	1	1					
2	1	119626-77210	ALTERNATOR, 12V-55A	1	1	1					
3	2	X9490561001	NUT	1	1	1					
4	2	129052-77380	ROTOR ASSY	1	1	1					
5	3	123501-79240	BEARING, BALL	1	1	1					
6	3	119620-79250	COVER, BEARING	1	1	1					
7	2	129052-77422	FRAME ASSY	1	1	1					
8	3	119620-79200	BEARING, BALL	1	1	1					
9	3	119620-79210	PLATE, RETAINER	1	1	1					
10	3	119620-79220	SCREW	4	4	4					
11	3	119620-79230	STUD	2	2	2					
12	2	128401-77440	COVER, END	1	1	1					
13	2	119620-77461	PULLEY, GENERATOR	1	1	1					
14	2	119620-77471	NUT	1	1	1					
15	2	119620-77490	COLLAR	1	1	1					
16	2	119626-77710	REGULATOR ASSY	1	1	1					
17	2	129052-79260	HOLDER ASSY	1	1	1					
18	2	129052-79270	HOLDER ASSY, BRUSH	1	1	1					
19	2	119620-79290	SCREW	6	6	6					
20	2	119620-79300	SCREW	1	1	1					
21	2	119620-79310	BOLT	3	3	3					
22	2	119620-79320	SCREW, W/WASHER	2	2	2					
23	2	119620-79330	BOLT	2	2	2					
24	2	119620-79340	BUSH, INSULATION	1	1	1					
25	2	119620-79350	NUT	2	2	2					
26	2	119626-77450	COVER, END	1	1	1					
27	1	26306-100002	NUT, M10	1	1	1					
28	1	119940-77270	SPACER, GENERATOR (C=EXXXXX)	1	1						Z
29	1	129972-77330	ADJUSTER, BELT (C=EXXXXX)	1	1						
29-1	1	129988-77330	ADJUSTER, BELT (A=EXXXXX) (C=EXXXXX)	1	1	1					F 1
30	1	129972-77341	BOLT, ADJUSTER L=50 (C=EXXXXX)	1	1						
30-1	1	119810-77340	BOLT, ADJUSTER L=30 (A=EXXXXX) (C=EXXXXX)	1	1	1					S
31	1	26106-080222	BOLT, M8X 22 PLATED (C=EXXXXX)	1	1						
31-1	1	26014-080252	BOLT, M8X 25 (A=EXXXXX) (C=EXXXXX)	1	1	1					S
32	1	198461-52950	RELAY, CA TYPE C	1	1	1					
33	1	198461-52950	RELAY, CA TYPE C	1	1	1					
34	1	129927-77690	WASHER, ECU	3	3	3					
35	1	129927-77920	RELAY, ISO 70A	1	1	1					
36	1	129927-77920	RELAY, ISO 70A	1	1	1					

Fig.19. ELECTRONIC CONTROL UNIT(ECU)

(A)=4TNV98T-ZNSAD
 (B)=4TNV98T-ZNSADT
 (C)=4TNV98T-ZNSADC

(D)=
 (E)=
 (F)=

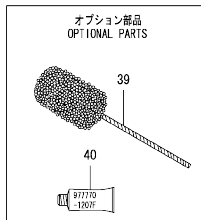
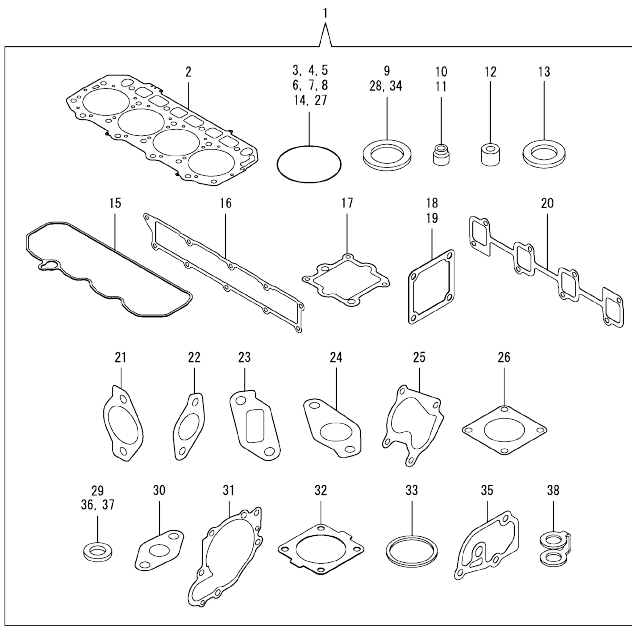
No.	Lev.	Parts No.	Description	Q'ty						I	R
				(A)	(B)	(C)	(D)	(E)	(F)		
1	1	129977-75010	CONTROLLER ASSY, ECU	1	1	1					1
11	2	129927-77600	SHIELD, ECU	1	1	1					
12	2	129927-77680	COLLAR, CONTROLLER	3	3	3					
13	2	119578-91351	RUBBER, CONTROLLER	3	3	3					
14	2	22877-500080	SCREW, 5X 8	6	6	6					
19	1	129927-75900	ECU ASSY, SERVICE	1	1	1					2
20	2	129927-77600	SHIELD, ECU	1	1	1					
21	2	129927-77680	COLLAR, CONTROLLER	3	3	3					
22	2	119578-91351	RUBBER, CONTROLLER	3	3	3					
23	2	22877-500080	SCREW, 5X 8	6	6	6					



Remarks

- (1)Eco ECU
 This part cannot be ordered.
 Replace the part using a Service ECU with the proper engine information installed.
- (2)Service ECU
 If the proper information is not installed, the engine will not operate.
 To install proper information, go to an authorized distributor.

Fig.20. GASKET SET



(A)=4TNV98T-ZNSAD
(B)=4TNV98T-ZNSADT
(C)=4TNV98T-ZNSADC

(D)=
(E)=
(F)=

No.	Lev.	Parts No.	Description	Q'ty						I	R	
				(A)	(B)	(C)	(D)	(E)	(F)			
1	1	729928-92660	GASKET SET	1	1	1					1	
2	2	129907-01331	GASKET, HEAD	1	1	1						
3	2	129900-32030	O-RING, P20	2	2	2						
4	2	129900-32040	O-RING, P14	1	1	1						
5	2	24311-000070	O-RING, 1AP7.0	1	1	1						
6	2	24351-030750	O-RING, 1A3075	1	1	1						
7	2	24311-000320	O-RING, 1AP32.0	2	2	2						
8	2	24321-000850	O-RING, 1AG85.0	1	1	1						
9	2	22190-220002	WASHER, SEAL 22	1	1	1						
10	2	119803-11340	SEAL, VALVE STEM	8	8	8						
11	2	124160-11340	SEAL, VALVE STEM	8	8	8						
12	2	119802-11870	PROTECTOR, NOZZLE	4	4	4						
13	2	119625-11880	SEAT, NOZZLE	4	4	4						
14	2	24311-000120	O-RING, 1AP12.0	8	8	8						
15	2	129933-11310	GASKET, BONNET	1	1	1						
16	2	129907-12110	GASKET, MANIFOLD	1	1	1						
17	2	129928-13720	GASKET, EGR-V SPACER	1	1	1						
18	2	119129-77020	GASKET, AIR HEATER	1	1	1						
19	2	121850-77021	GASKET, AIR HEATER	1	1	1						
20	2	129900-13251	GASKET, MANIFOLD	1	1	1						
21	2	129928-13410	GASKET, EGR COOLER	2	2	2						
22	2	129927-13810	GASKET, EGR PIPE	1	1	1						
23	2	129927-13910	GASKET, EGR	1	1	1						
24	2	129927-13920	GASKET, EGR	1	1	1						
25	2	123901-18080	GASKET, TURBINE OUT	1	1	1						
26	2	129472-18090	GASKET, TURBINE IN	1	1	1						
27	2	24321-000600	O-RING, 1AG60.0	1	1	1						
28	2	22190-080002	WASHER, SEAL 8	11	11	11						
29	2	23414-100000	GASKET, 10X1.0	2	2	2						
30	2	129908-39690	GASKET, RETURN PIPE	1	1	1						
31	2	129900-42020	GASKET, WATER PUMP	1	1	1						
32	2	121850-49540	GASKET, THERMOSTAT	1	1	1						
33	2	121850-49550	GASKET, THERMOSTAT	1	1	1						
34	2	22190-120002	WASHER, SEAL 12	1	1	1						
35	2	129900-49870	GASKET, THERMOSTAT	1	1	1						
36	2	23414-080000	GASKET, 8X1.0	1	1	1						
37	2	124465-44950	GASKET, 16	2	2	2						
38	2	123907-59550	GASKET, FUEL RETURN	5	5	5						
39	1	129400-92450	HONE, FLEX	1	1	1						1
40	1	977770-1207F	GASKET, LIQUID	1	1	1						1

Remarks
(1)Optional parts.

Parts No. Index

Parts No.	Fig. No.	Ref. No.
105010-39140	11	2
		19
105025-59750	16	7
114110-07760	16	22
114110-07761	16	22 -1
114250-53080	15	5
114250-53120	15	9
114250-53130	15	10
114250-53140	15	11
114250-53210	15	12
114250-53400	15	13
119000-39650	11	36
119005-77051	5	19
119100-11330	4	61
119129-77020	5	17
	20	18
119129-77520	5	20
119131-18320	8	3
119141-44760	12	17
119225-52102	16	23
119578-91351	19	13
		22
119593-11301	4	34
119620-01750	3	3
119620-11180	4	18
119620-77461	18	13
119620-77471	18	14
119620-77490	18	15
119620-79200	18	8
119620-79210	18	9
119620-79220	18	10
119620-79230	18	11
119620-79250	18	6
119620-79290	18	19
119620-79300	18	20
119620-79310	18	21
119620-79320	18	22
119620-79330	18	23
119620-79340	18	24
119620-79350	18	25
119625-11880	4	30
	20	13
119626-77210	18	2
119626-77450	18	26
119626-77710	18	16
119640-01640	3	8
119761-39450	11	1
119802-11870	4	29
	20	12
119802-13790	6	10

Parts No.	Fig. No.	Ref. No.
119802-51680	13	64
119802-51690	13	65
119803-11340	4	19
	20	10
119803-53400	15	13 -1
119810-77340	18	30 -1
119852-51630	13	69
119852-51640	13	70
119852-51650	13	72
119934-59910	13	129
119940-77270	18	28
120130-22301	9	25
121023-26070	2	20
121023-26071	2	20 -1
121252-39150	11	3
121450-42450	12	38
121520-34810	10	14
121750-59890	10	11
	16	12
121850-21130	9	10
121850-21290	9	4
121850-21680	9	9
121850-21920	9	5
121850-49540	12	26
	20	32
121850-49550	12	28
	20	33
121850-49810	12	29
121850-49811	12	29 -1
121850-77021	5	18
	20	19
123472-59120	15	26
123501-79240	18	5
123900-13630	6	6
123900-25060	7	9
123901-03240	4	76
123901-18080	6	24
	20	25
123901-39820	11	26
123907-11280	4	39
123907-11550	4	5
123907-11601	15	25
123907-11820	4	25
123907-11830	4	24
123907-39500	11	11
123907-55810	16	2
123907-59540	16	14
123907-59550	16	15
	20	38
123907-59560	16	20

Parts No.	Fig. No.	Ref. No.
123910-39850	11	24
123910-49600	10	8
123910-49610	10	10
123912-03250	4	78
123912-33050	10	2
123912-33100	10	3
123951-18220	5	14
124070-13300	11	21
124160-01751	2	14
	4	54
124160-11340	4	20
	20	11
124160-11360	4	65
124223-39900	11	5
124465-44950	12	39
	20	37
124722-59050	16	18
124766-59050	16	5
		9
128401-77440	18	12
129001-91810	2	17
		28
129004-55612	16	1
129005-59830	11	13
129006-44480	10	5
129008-51920	13	3 G
129008-61301	14	19
129052-77380	18	4
129052-77422	18	7
129052-79260	18	17
129052-79270	18	18
129100-01580	2	1
	3	1
129136-59110	16	10
129150-02450	7	4
129150-03100	4	72
129150-11230	4	42
		46
129150-11750	4	23
		43
		47
129150-14200	7	1
129150-25920	7	13
129150-35170	10	16
129150-59120	15	27
129150-59131	15	30
129198-59540	11	2 -1
129242-55700	16	24
129242-55701	16	24 -1
129242-55720	16	25

Parts No.	Fig. No.	Ref. No.
129242-55730	16	26
129242-55740	16	27
129242-55750	16	28
129242-55760	16	29
129242-55770	16	30
129263-49750	16	17
129263-77941	13	122
129400-92450	20	39
129410-03990	4	70
129418-18320	6	3
		4
129457-59010	16	4
129466-49300	10	7
129472-18090	8	2
	20	26
129509-79700	4	62
129657-51590	13	59
129657-51600	13	60
129685-77640	17	25 G
129795-01900	18	1
129900-01200	1	27
129900-01250	1	4
129900-01740	2	16
129900-01850	2	26
129900-01870	2	27
129900-02020	1	6
129900-02341	1	33
129900-02410	1	9
129900-02931	1	24
129900-02941	1	36
129900-13251	6	5
	20	20
129900-14110	7	6
129900-14140	2	31
129900-21220	9	3
129900-21600	9	13
129900-21640	9	7
129900-23001	9	27
129900-23200	9	30
129900-23601	9	31
129900-23611	9	34
129900-23911	9	33
129900-25110	7	10
129900-26030	7	17
129900-26250	2	32
129900-32030	2	6
	10	17
	20	3
129900-32040	2	7
	20	4

Parts No. Index

Parts No.	Fig. No.	Ref. No.	Parts No.	Fig. No.	Ref. No.	Parts No.	Fig. No.	Ref. No.	Parts No.	Fig. No.	Ref. No.
129900-42020	12	11	129907-11110	4	16	129927-51660	13	121	129948-13800	6	11
	20	31	129907-11120	4	17	129927-51670	13	124	129948-13810	6	13
129900-42461	12	14	129907-11250	4	36	129927-59550	16	16	129948-49610	12	49
129900-42462	12	14 -1	129907-11260	4	37	129927-59810	15	32	129948-49620	12	53
129900-49870	12	34	129907-11270	4	38	129927-59820	15	33	129951-01740	2	16 -1
	20	35	129907-11341	4	35	129927-59830	15	34	129953-25300	7	15
129900-77010	17	1	129907-11510	4	21	129927-59840	15	35	129953-34830	10	15
129900-77040	17	1 -1	129907-11650	4	40	129927-75900	19	19	129953-35000	10	18
129900-77120	17	24 A	129907-11660	4	44	129927-77600	19	11	129955-01600	3	2
129900-77130	17	24 D	129907-11800	4	28			20	129955-21460	9	14
129900-77140	17	24 E	129907-11910	4	31	129927-77680	19	12	129955-21590	9	11
129900-77150	17	24 H	129907-11920	4	48			21	129957-59120	16	6
129900-77160	17	24 J	129907-11950	4	32	129927-77690	18	34	129960-03990	12	50
129900-77170	17	24 M	129907-12110	5	1	129927-77920	18	35			54
129900-77180	17	24 N		20	16			36	129960-21930	9	42
129900-77190	17	24 P	129907-14400	7	2	129928-11700	4	6	129960-21940	9	7 -1
129900-77270	17	24 R	129907-21660	9	8	129928-12100	5	3	129961-59110	16	11
129900-77280	17	25 A	129907-25900	7	16	129928-12150	5	2	129961-59310	16	8
129900-77290	17	25 B	129907-51560	13	54	129928-13100	6	2	129972-03220	4	74
129900-77380	17	25 C	129907-59140	16	13	129928-13150	6	1	129972-03230	4	75
129900-77390	17	25 D	129908-14590	7	3	129928-13400	6	7	129972-03240	4	73
129900-77400	17	2	129908-21100	9	1	129928-13410	6	8	129972-77330	18	29
129900-77420	17	25 E	129908-32060	2	4			9	129972-77341	18	30
129900-77430	17	25 F	129908-33010	10	1			20	129974-18210	5	13
129900-77440	17	5	129908-33101	10	4	129928-13700	5	4	129977-75010	19	1
129900-77450	17	7	129908-39410	11	30	129928-13710	5	5	129988-77330	18	29 -1
		9	129908-39690	11	25	129928-13720	5	6	144626-51090	13	9
		24 F		20	30			20	158552-51571	13	55
		24 L	129908-49060	10	6	129928-13900	6	19 -1	158552-51580	13	58
129900-77460	17	11	129916-01790	3	6	129928-18200	5	12	158552-51670	13	125
129900-77480	17	8	129916-01800	2	25	129928-22080	9	19	158552-51781	13	97
129900-77510	17	17	129916-21610	9	9 -1	129928-39450	11	4	158552-52100	13	127
129900-77520	17	20	129916-49530	12	25	129928-49400	12	21	158552-52310	13	103
129900-77540	17	18	129920-44740	12	16	129928-49410	12	22	158552-52311	13	103 -1
129900-77550	17	19	129927-13810	6	12	129928-49420	12	48	158552-52400	13	104
129900-77591	17	12		20	22	129928-49800	12	19	158552-52500	13	128
129900-77610	17	23	129927-13900	6	19	129928-51390	13	21	158553-51670	13	63
129900-77620	17	13	129927-13910	6	20	129928-51900	13	3 F	158553-51680	13	75
129900-77640	17	15		20	23	129928-53000	15	2	158553-51930	13	101 -1
129900-77650	17	14	129927-13920	6	21	129928-79700	12	57		14	25 -1
129900-77700	17	16		20	24	129930-39050	11	18	158553-61780	14	23
129900-77710	17	24	129927-22050	9	21	129933-01500	2	3	158557-51570	13	56
129906-51580	13	57	129927-39060	11	9	129933-11310	4	60	158557-61720	14	22
129907-01331	1	28	129927-42000	12	1			20	158563-51150	13	12
	20	2	129927-42140	2	7 A	129935-18010	8	1	158563-51281	13	19
129907-03011	4	56	129927-44900	12	20	129935-39610	11	22			20
129907-03061	4	57	129927-49610	12	40	129948-01740	3	7	158563-51330	13	31
129907-03070	4	58	129927-49620	12	44	129948-03080	4	68	158600-51270	13	18
129907-07900	4	1	129927-51250	13	136	129948-07900	4	2	158601-51550	13	53
129907-11100	4	15	129927-51650	13	120	129948-11300	4	55	158601-51650	13	123

Parts No. Index

Parts No.	Fig. No.	Ref. No.
158601-51770	13	96
158601-51790	13	98
171008-77410	17	24 B
171008-77420	17	24 C
171008-77450	17	6
		24 G
171008-77670	17	24 S
171008-77730	17	21
171008-77740	17	22
171008-77750	17	25
171051-01921	1	5
171056-49120	10	25
198461-52950	18	32
		33
22190-080002	11	6
		14
		16
		20
	16	21
	20	28
22190-120002	12	31
	13	99
		105
		130
	14	24 -1
	20	34
22190-180002	13	100
22190-220002	3	10
	20	9
22217-050000	13	131
22217-180000	13	106
22252-000300	9	26
22252-000721	9	16
22312-050140	13	107
22351-030010	11	37
22351-050010	13	108
22351-060012	1	10
22512-070140	7	7
	9	6
22857-500100	4	64
22877-500080	19	14
		23
23000-022000	4	79
23000-025000	10	12
	11	27
23000-054000	5	15
23000-080000	5	16
23065-160250	4	80
23080-012000	12	43
		47

Parts No.	Fig. No.	Ref. No.
23414-080000	12	35
	20	36
23414-100000	11	7
	20	29
23414-120000	14	24
23857-030000	11	15
23875-030000	12	23
		32
23876-020000	4	12
23876-030000	1	11
		12
		13
		29
	4	13
23887-120002	13	101
	14	25
24105-063064	9	17
24107-063064	9	17 -1
24311-000070	2	8
	13	109
	20	5
24311-000120	4	33
		66
	20	14
24311-000160	16	31
24311-000320	2	15
	4	67
	20	7
24321-000600	10	13
	20	27
24321-000750	16	32
24321-000850	2	21
	20	8
24341-000480	14	26
24351-030750	2	9
	20	6
24356-010200	13	66
		110
24356-020210	13	111
24356-190200	13	66 -1
		110 -1
24356-240210	13	111 -1
24372-000150	13	67
25132-004150	12	15
26014-080252	18	31 -1
26106-060102	13	112
26106-060122	4	63
	13	132
26106-060162	11	28
	14	29

Parts No.	Fig. No.	Ref. No.
26106-060202	5	7
		8
	12	33
26106-060252	14	27
26106-060302	12	12
26106-060352	13	113
26106-080122	3	11
	10	23
	11	8
		17
		29
	12	36
		58
26106-080142	4	81
26106-080162	2	10
		18
		29
	4	3
	7	8
	10	24
26106-080202	2	11
		18 -1
	4	4
	13	137
26106-080222	9	18
	18	31
26106-080252	14	28
26106-080302	13	138
	16	3
26106-080352	6	14
26106-080402	2	19
	4	30
	4	50
	5	21
26106-080452	2	12
		19 -1
	5	10
	6	15
26106-080552	6	16
	7	14
	12	13
		18
26106-080602	4	51
		52
	12	37
26106-080702	2	17 -1
		28 -1
26106-080752	2	17 -2
26106-080802	5	11
26106-080902	5	22

Parts No.	Fig. No.	Ref. No.
26106-100202	2	22
26106-100252	6	17
26106-100402	6	22
26106-101052	6	23
26106-120252	17	26 -1
26116-050102	4	77
26116-120302	17	26
26206-100352	3	4
26206-100702	3	5
26216-060202	5	9
26216-100302	2	5
26226-080222	4	49
26306-080002	4	53
	6	18
	8	4
26306-100002	2	13
	18	27
26366-060002	15	36
26450-100452	13	116
26716-050002	13	133
26776-180002	13	117
27241-160000	13	134
27241-300000	1	14
27241-400000	4	14
27310-070001	4	26
729900-02801	1	30
729907-01559	2	23
729927-22950	9	38
729928-01560	1	1
729928-22900	9	36
729928-51300	13	1
729928-53100	15	1
729928-92660	20	1
977770-1207F	20	40
X2114155110	17	3
X2114255110	17	4
X2114955020	17	24 Q
X2130631300	17	10
		24 K
X9490561001	18	3