

0CD11-M08500EN

P R E F A C E

1. This parts catalog is the 1st edition of 4TNV98T-ZNIKB for KATO WORKS CO.,LTD.

Pub.No. : 0CD11-G08500

Published : November, 2009

2. Model name

Engine model	Vehicle	Vehicle made by
4TNV98T-ZNIKB	CRAWLER LOADER	KATO WORKS CO.,LTD.

Contents

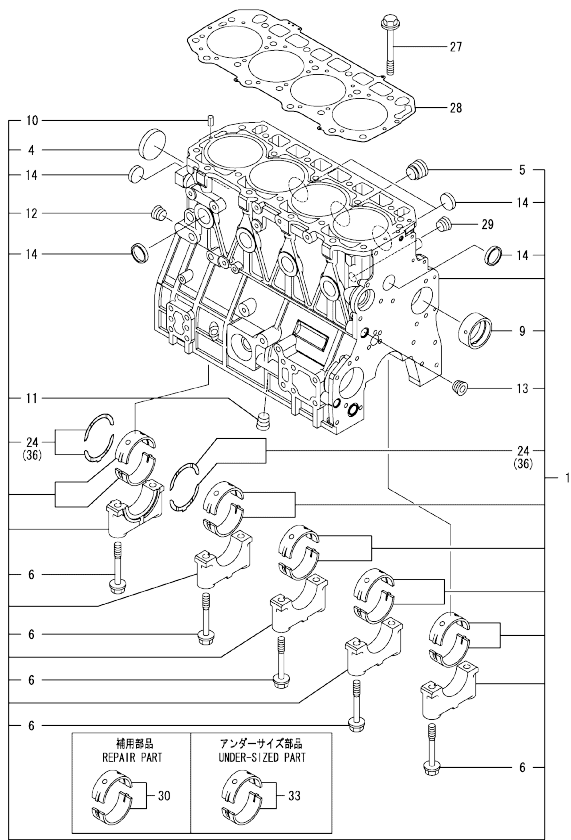
OCD11-M08500

Fig. No.	Fig. Name	Fig. No.	Fig. Name
4	TNV98T-ZNIKB		
1.	CYLINDER BLOCK		
2.	GEAR HOUSING		
3.	FLYWHEEL HOUSING & OIL SUMP		
4.	CYLINDER HEAD & BONNET		
5.	SUCTION MANIFOLD & AIR CLEANER		
6.	EXHAUST MANIFOLD & SILENCER		
7.	CAMSHAFT & DRIVING GEAR		
8.	TURBINE		
9.	CRANKSHAFT & PISTON		
10.	LUB. OIL SYSTEM		
11.	LUB. OIL LINE		
12.	COOLING WATER SYSTEM		
13.	FUEL INJECTION PUMP		
14.	GOVERNOR		
15.	FUEL INJECTION VALVE		
16.	FUEL LINE		
17.	STARTING MOTOR		
18.	GENERATOR		
19.	ELECTRONIC CONTROL UNIT (ECU)		
20.	GASKET SET		

Fig.1. CYLINDER BLOCK

(A)=4TNV98T-ZNIKB
(B)=
(C)=

(D)=
(E)=
(F)=

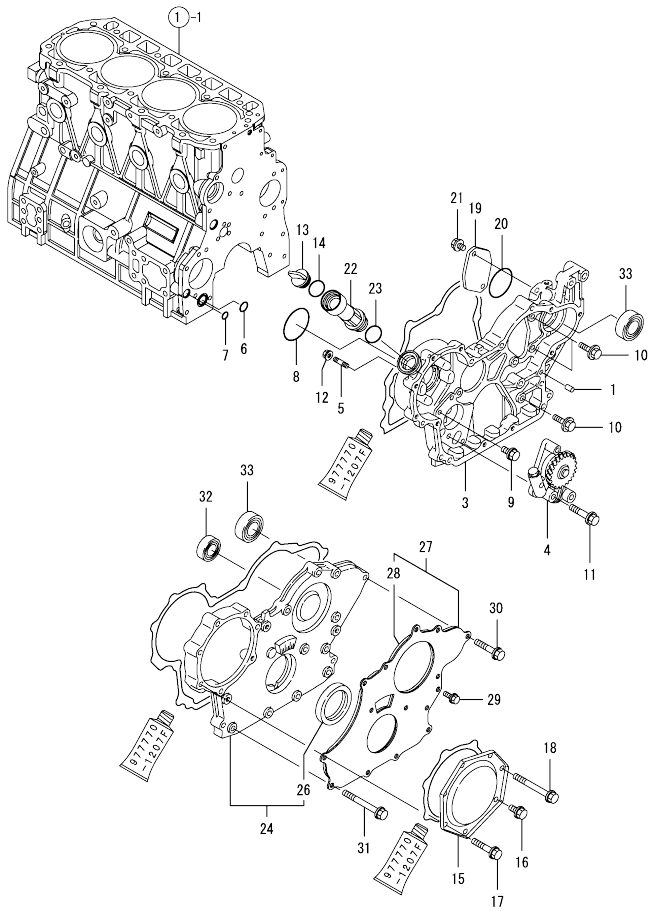


No.	Lev.	Parts No.	Description	Q'ty						I	R
				(A)	(B)	(C)	(D)	(E)	(F)		
1	1	729928-01560	BLOCK ASSY, CYLINDER	1							
4	2	129900-01250	PLUG, DISH TYPE 55	1							
5	2	171051-01921	PLUG, NPTF1	1							
6	2	129900-02020	BOLT, METAL CAP	10							
9	2	129900-02410	BUSH, CAMSHAFT	1							
10	2	22351-060012	PIN, SPRING 6.0X12	2							
11	2	23876-030000	PLUG, R03	1							
12	2	23876-030000	PLUG, R03	1							
13	2	23876-030000	PLUG, R03	1							
14	2	27241-300000	PLUG 30	8							
24	2	129900-02931	BEARING ASSY, THRUST	2							
27	1	129900-01200	BOLT, CYLINDER HEAD	18							
28	1	129907-01331	GASKET, HEAD	1							
29	1	23876-030000	PLUG, R03	1							
30	1	729900-02801	BEARING, MAIN	5							1
33	1	129900-02341	BEARING ASSY, MAIN	5							2
36	1	129900-02941	BEARING, THRUST 0.25	2							3

Remarks

- (1) REPAIR PART.
- (2) UNDER-SIZED (U.S=0.25) PART.
- (3) OVER-SIZED (O.S=0.25) PART.

Fig.2. GEAR HOUSING

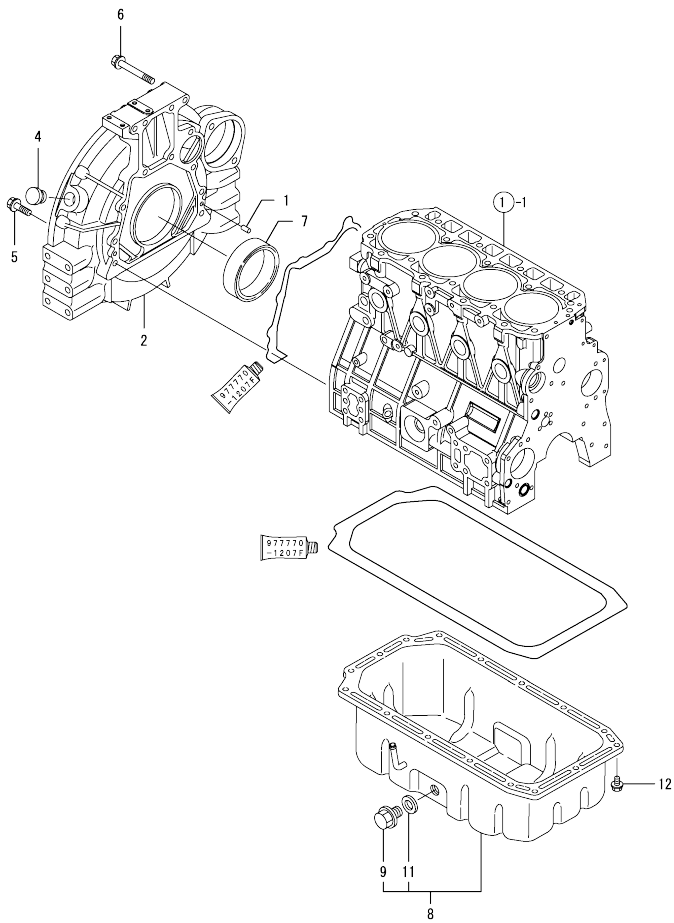


(A)=4TNV98T-ZNIKB
(B)=
(C)=

(D)=
(E)=
(F)=

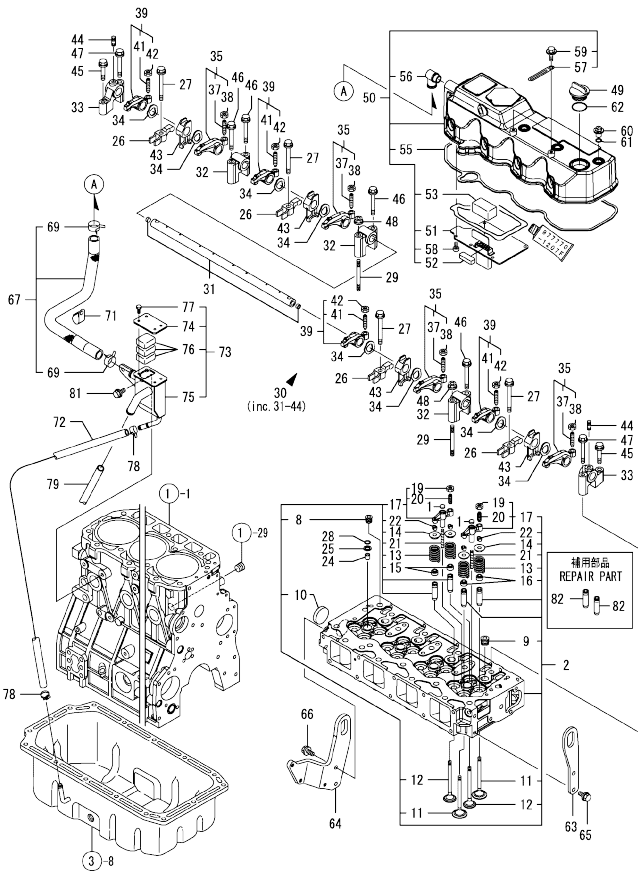
No.	Lev.	Parts No.	Description	Qty						I	R
				(A)	(B)	(C)	(D)	(E)	(F)		
1	1	129100-01580	PIN, PARALLEL 8X16	4							
3	1	129972-01500	CASE, GEAR	1							
4	1	129908-32060	PUMP ASSY, OIL	1							
5	1	26216-100302	STUD, M10X 30	4							
6	1	129900-32030	O-RING, P20	1							
7	1	129900-32040	O-RING, P14	1							
8	1	24351-030750	O-RING, 1A3075	1							
9	1	26106-080162	BOLT, M8X 16 PLATED	1							
10	1	26106-080202	BOLT, M8X 20 PLATED	3							
11	1	26106-080452	BOLT, M8X 45 PLATED	3							
12	1	26306-100002	NUT, M10	4							
13	1	124160-01751	CAP, FILLER	1							
14	1	24311-000320	O-RING, 1AP32.0	1							
15	1	129900-01740	COVER	1							
16	1	26106-080162	BOLT, M8X 16 PLATED	1							
17	1	26106-080402	BOLT, M8X 40 PLATED	5							
18	1	26106-080702	BOLT, M8X 70 PLATED	1							
19	1	129930-01870	COVER	1							
20	1	24321-000850	O-RING, 1AG85.0	1							
21	1	26106-100202	BOLT, M10X 20 PLATED	2							
22	1	121027-11743	PIPE	1							
23	1	24311-000320	O-RING, 1AP32.0	1							
24	1	729907-01559	COVER ASSY,GEAR CASE	1							
26	2	129916-01800	SEAL, OIL	1							
27	1	129900-01850	COVER ASSY,GEAR CASE	1							
28	2	129900-01870	SPONGE, GEAR CASE	1							
29	1	26106-080162	BOLT, M8X 16 PLATED	3							
30	1	26106-080402	BOLT, M8X 40 PLATED	5							
31	1	26106-080702	BOLT, M8X 70 PLATED	6							
32	1	129900-14140	BEARING, BALL 6205	1							
33	1	129900-26250	BEARING, BALL 6206C3	2							

Fig.3. FLYWHEEL HOUSING & OIL SUMP



No.	Lev.	Parts No.	Description	Q'ty						I	R
				(A)	(B)	(C)	(D)	(E)	(F)		
1	1	129100-01580	PIN, PARALLEL 8X16		2						
2	1	129953-01620	HOUSING, FLYWHEEL		1						
4	1	119620-01750	CAP		1						
5	1	26206-100352	BOLT, M10X 35 PLATED		9						
6	1	26206-100702	BOLT, M10X 70 PLATED		4						
7	1	129916-01790	SEAL, D115/95XT11		1						
8	1	129949-01710	SUMP ASSY, OIL		1						
9	2	119640-01640	PLUG, DRAIN M22		1						
11	2	22190-220002	WASHER, SEAL 22		1						
12	1	26106-080122	BOLT, M8X 12 PLATED		16						

Fig.4. CYLINDER HEAD & BONNET



(A)=4TNV98T-ZNIKB
(B)=
(C)=

(D)=
(E)=
(F)=

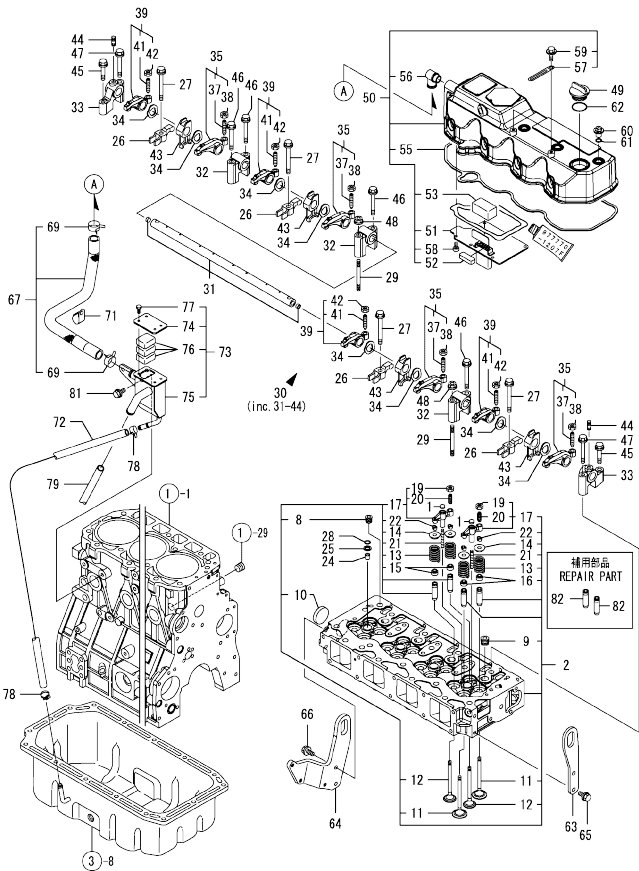
No.	Lev.	Parts No.	Description	Q'ty						I	R
				(A)	(B)	(C)	(D)	(E)	(F)		
1	1	123907-11550	SEAT, VALVE BRIDGE	8							
2	1	129928-11700	HEAD ASSY, CYLINDER	1							
8	2	23876-020000	PLUG, R02	1							
9	2	23876-030000	PLUG, R03	4							
10	2	27241-400000	PLUG, 40	1							
11	2	129907-11100	VALVE, SUCTION	8							
12	2	129907-11110	VALVE, EXHAUST	8							
13	2	129907-11120	SPRING, VALVE	16							
14	2	119620-11180	RETAINER, SPRING	16							
15	2	119803-11340	SEAL, VALVE STEM	8							
16	2	124160-11340	SEAL, VALVE STEM	8							
17	2	129907-11510	BRIDGE ASSY, VALVE	8							
19	3	129150-11750	NUT, M8	8							
20	3	123907-11830	ADJUSTER	8							
21	2	123907-11820	GUIDE, BRIDGE	8							
22	2	27310-070001	COTTER, 7	16							
24	1	119802-11870	PROTECTOR, NOZZLE	4							
25	1	119625-11880	SEAT, NOZZLE	4							
26	1	129907-11910	RETAINER, NOZZLE	4							
27	1	129907-11950	BOLT, M8X75	4							
28	1	24311-000120	O-RING, 1AP12.0	4							
29	1	119593-11301	BOLT, STUD M8X80	2							
30	1	129907-11341	SHAFT ASSY, ROCKER	1							
31	2	129907-11250	SHAFT, ROCKER ARM	1							
32	2	129907-11260	SUPPORT, ROCKER ARM	3							
33	2	129907-11270	SUPPORT, ROCKER ARM	2							
34	2	123907-11280	WASHER	8							
35	2	129907-11650	ARM ASSY, ROCKER	4							
37	3	129150-11230	SCREW, VALVE ADJUST	4							
38	3	129150-11750	NUT, M8	4							
39	2	129907-11660	ARM ASSY, ROCKER	4							
41	3	129150-11230	SCREW, VALVE ADJUST	4							
42	3	129150-11750	NUT, M8	4							
43	2	129907-11920	RETAINER, NOZZLE	4							
44	2	26226-080222	STUD, M8X 22	2							
45	1	26106-080402	BOLT, M8X 40 PLATED	2							
46	1	26106-080602	BOLT, M8X 60 PLATED	4							
47	1	26106-080602	BOLT, M8X 60 PLATED	2							
48	1	26306-080002	NUT, M8	2							
49	1	124160-01751	CAP, FILLER	1							
50	1	129948-11300	BONNET ASSY, HEAD	1							
51	2	129907-03011	PLATE, BAFFLE	1							
52	2	129907-03061	BAFFLE, BREATHER	1							
53	2	129907-03070	BAFFLE, BREATHER	1							
55	2	129933-11310	GASKET, BONNET	1							
56	2	119100-11330	ELBOW, BREATHER	1							
57	2	129509-79700	CLAMP, 140-M6	2							
58	2	22857-500100	SCREW, 5X10	6							
59	2	26106-060122	BOLT, M6X 12 PLATED	2							
60	1	124160-11360	KNOB	4							
61	1	24311-000120	O-RING, 1AP12.0	4							

Remarks

(1)REPAIR PART.

N:Old $\frac{New}{Old}$ New, Q:Old $\frac{New}{Old}$ New, R:Old $\frac{New}{Old}$ New, S:Old $\frac{New}{Old}$ New, W:Add, Z:Discontinued, F:Interchangeable by set, K:Q'ty Change
 ++ CONTINUE ++
 Copyright (C) YANMAR GLOBAL CS CO., LTD. All Rights Reserved.

Fig.4. CYLINDER HEAD & BONNET



(A)=4TNV98T-ZNIKB
(B)=
(C)=

(D)=
(E)=
(F)=

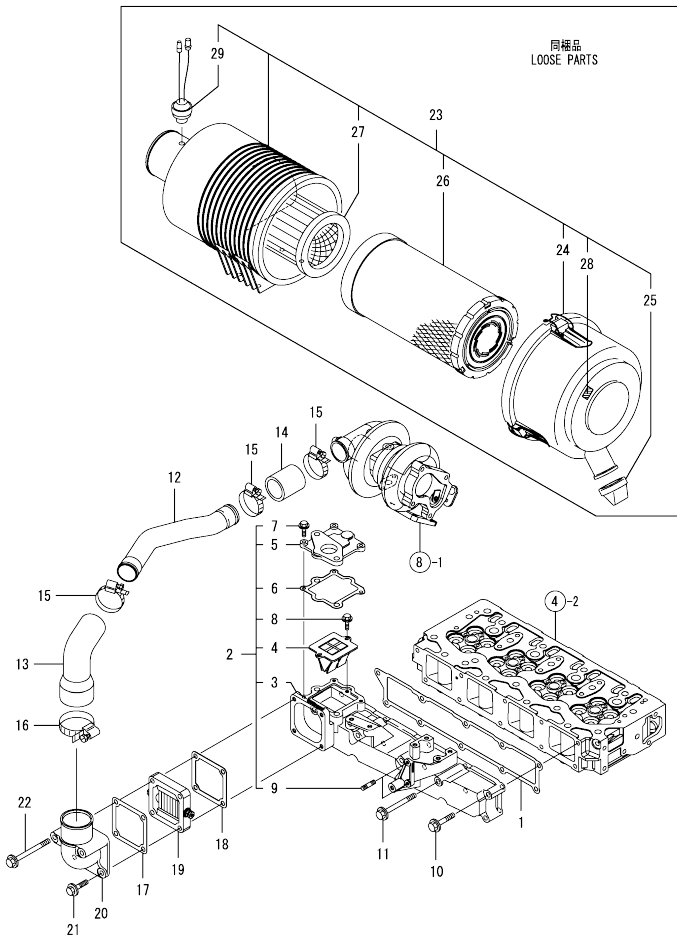
No.	Lev.	Parts No.	Description	Q'ty						I	R
				(A)	(B)	(C)	(D)	(E)	(F)		
62	1	24311-000320	O-RING, 1AP32.0	1							
63	1	129907-07900	LIFTER, ENGINE	1							
64	1	129948-07900	LIFTER, ENGINE	1							
65	1	26106-080162	BOLT, M8X 16 PLATED	2							
66	1	26106-080202	BOLT, M8X 20 PLATED	2							
67	1	129948-03080	HOSE ASSY, BREATHER	1							
69	2	129410-03990	CLAMP, HOSE 21.5	2							
71	1	129150-03100	RETAINER, PIPE	1							
72	1	129949-03200	HOSE, RUBBER	1							
73	1	129972-03240	SEPARATOR ASSY, MIST	1							
74	2	129972-03220	COVER, SEPARATOR	1							
75	2	129972-03230	SEPARATOR, MIST	1							
76	2	123901-03240	FILTER	3							
77	2	26116-050102	BOLT, M5X 10 PLATED	4							
78	1	23000-022000	CLAMP, 22	2							
79	1	23065-160250	PIPE, 16X 250	1							
81	1	26106-080142	BOLT, M8X 14 PLATED	2							
82	1	129907-11800	GUIDE, VALVE	16							1

Remarks
(1)REPAIR PART.

Fig.5. SUCTION MANIFOLD & AIR CLEANER

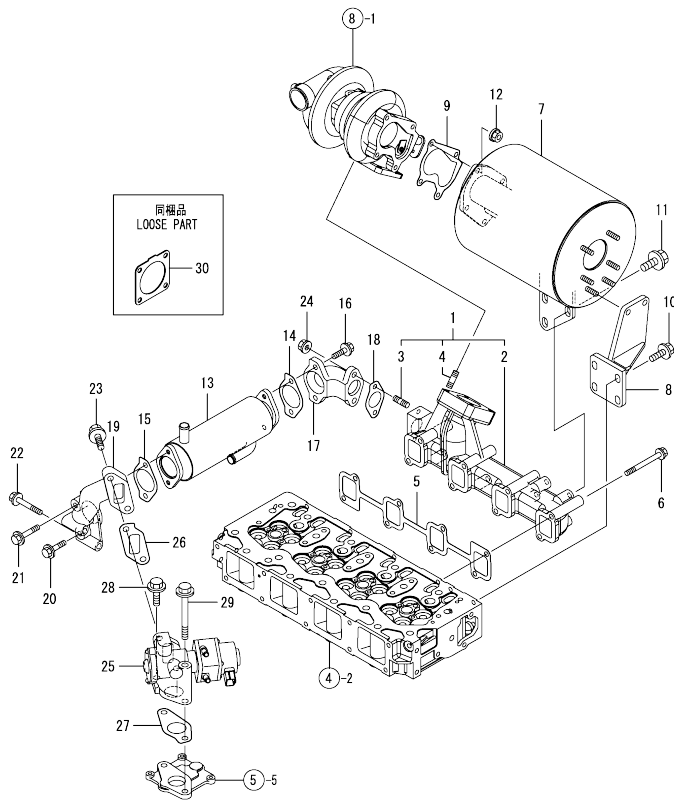
(A)=4TNV98T-ZNIKB
(B)=
(C)=

(D)=
(E)=
(F)=



No.	Lev.	Parts No.	Description	Q'ty						I	R
				(A)	(B)	(C)	(D)	(E)	(F)		
1	1	129907-12110	GASKET, MANIFOLD	1							
2	1	129928-12150	MANIFOLD ASSY,INTAKE	1							
3	2	129928-12100	MANIFOLD, AIR INTAKE	1							
4	2	129928-13700	VALVE, LEAD	1							
5	2	129928-13710	SPACER, EGR VALVE	1							
6	2	129928-13720	GASKET	1							
7	2	26106-060202	BOLT, M6X 20 PLATED	3							
8	2	26106-060202	BOLT, M6X 20 PLATED	2							
9	2	26216-060202	STUD, M6X 20	2							
10	1	26106-080452	BOLT, M8X 45 PLATED	6							
11	1	26106-080802	BOLT, M8X 80 PLATED	4							
12	1	129928-18200	DUCT, AIR	1							
13	1	129974-18210	JOINT, RUBBER	1							
14	1	123951-18220	JOINT, RUBBER	1							
15	1	23000-054000	CLAMP, 54	3							
16	1	23000-080000	CLAMP, 80	1							
16-1	1	23000-070000	CLAMP, 70	1							N
17	1	119129-77020	GASKET	1							
18	1	121850-77021	GASKET, AIR HEATER	1							
19	1	119005-77051	HEATER, AIR	1							
20	1	119129-77520	BEND	1							
21	1	26106-080402	BOLT, M8X 40 PLATED	2							
22	1	26106-080902	BOLT, M8X 90 PLATED	2							
23	1	123944-12500	CLEANER ASSY, AIR	1							
24	2	119117-12530	COVER	1							
25	2	119160-12540	VALVE	1							
26	2	119117-12560	ELEMENT	1							
27	2	119117-12570	ELEMENT	1							
28	2	129612-12650	LABEL, MARKING	1							
29	2	119140-12680	INDICATOR, CLEANER	1							

Fig.6. EXHAUST MANIFOLD & SILENCER

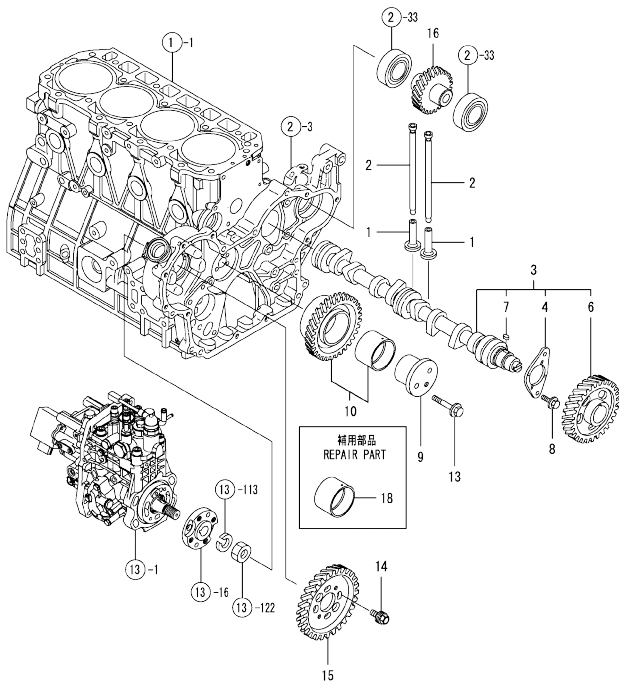


(A)=4TNV98T-ZNIKB
(B)=
(C)=

(D)=
(E)=
(F)=

No.	Lev.	Parts No.	Description	Q'ty						I	R
				(A)	(B)	(C)	(D)	(E)	(F)		
1	1	129928-13150	MANIFOLD ASSY, EXH.	1							
2	2	129928-13100	MANIFOLD, EXHAUST	1							
3	2	129418-18320	BOLT, STUD M8X20	2							
4	2	129418-18320	BOLT, STUD M8X20	4							
5	1	129900-13251	GASKET, EXH.MANIFOLD	1							
6	1	123900-13630	BOLT, M8X80	8							
7	1	129949-13510	SILENCER	1							
8	1	129949-13520	STAY, SILENCER	1							
9	1	123901-18080	GASKET	1							
10	1	26106-080202	BOLT, M8X 20 PLATED	4							
11	1	26106-100202	BOLT, M10X 20 PLATED	3							
12	1	26306-080002	NUT, M8	4							
13	1	129928-13400	COOLER ASSY, EGR	1							
14	1	129928-13410	GASKET	1							
15	1	129928-13410	GASKET	1							
16	1	119802-13790	BOLT, M8X25 10.9T	2							
17	1	129948-13800	PIPE, EGR IN	1							
18	1	129927-13810	GASKET	1							
19	1	129948-13810	PIPE, EGR IN	1							
20	1	26106-080352	BOLT, M8X 35 PLATED	1							
21	1	26106-080452	BOLT, M8X 45 PLATED	1							
22	1	26106-080552	BOLT, M8X 55 PLATED	2							
23	1	26106-100252	BOLT, M10X 25 PLATED	2							
24	1	26306-080002	NUT, M8	2							
25	1	129928-13900	VALVE, EGR	1							
26	1	129927-13910	GASKET, EGR	1							
27	1	129927-13920	GASKET, EGR	1							
28	1	26106-100402	BOLT, M10X 40 PLATED	1							
29	1	26106-101052	BOLT, M10X105 PLATED	1							
30	1	129930-13201	GASKET, SILENCER	1							

Fig.7. CAMSHAFT & DRIVING GEAR



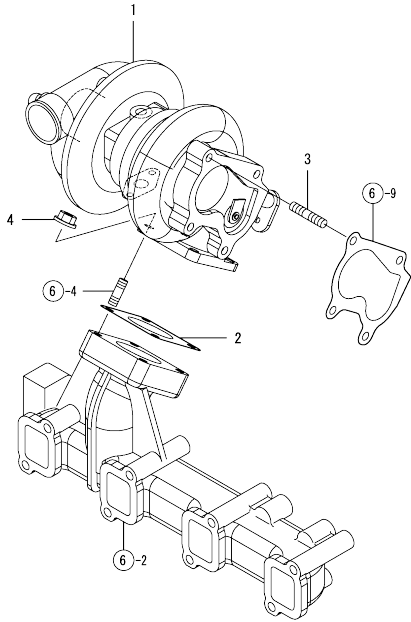
(A)=4TNV98T-ZNIKB
(B)=
(C)=

(D)=
(E)=
(F)=

No.	Lev.	Parts No.	Description	Q'ty						I	R
				(A)	(B)	(C)	(D)	(E)	(F)		
1	1	129150-14200	TAPPET	8							
2	1	129907-14400	PUSH-ROD	8							
3	1	129908-14590	CAMSHAFT ASSY	1							
4	2	129150-02450	BEARING, THRUST	1							
6	2	129900-14110	GEAR, CAMSHAFT	1							
7	2	22512-070140	KEY, 7X 14	1							
8	1	26106-080162	BOLT, M8X 16 PLATED	2							
9	1	123900-25060	SHAFT, IDLE GEAR	1							
10	1	129900-25110	GEAR ASSY, IDLE	1							
13	1	26106-080552	BOLT, M8X 55 PLATED	3							
14	1	129953-25300	BOLT	4							
15	1	129907-25900	GEAR, PUMP	1							
16	1	129900-26020	GEAR ASSY, PUMP	1							
18	1	129150-25920	BUSH, IDLE GEAR	1							1

Remarks
(1)REPAIR PART.

Fig.8. TURBINE

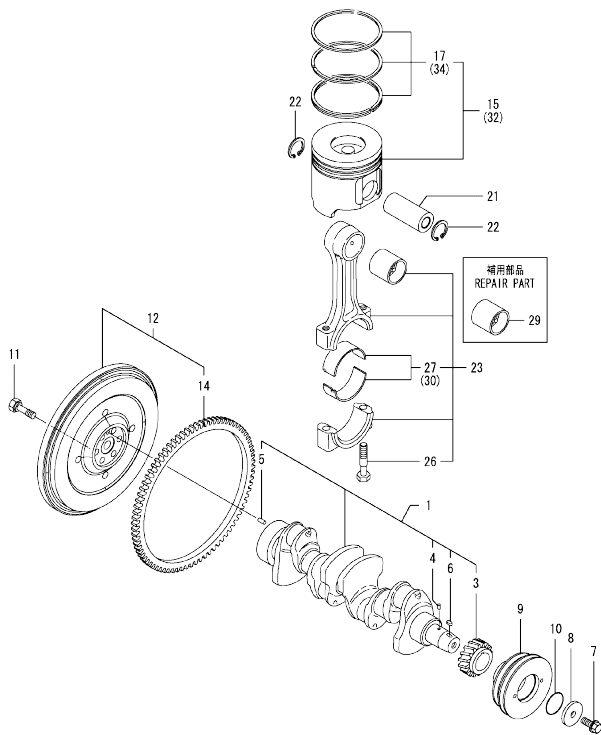


(A)=4TNV98T-ZNIKB
(B)=
(C)=

(D)=
(E)=
(F)=

No.	Lev.	Parts No.	Description	Q'ty					
				(A)	(B)	(C)	(D)	(E)	(F)
1	1	129935-18010	TURBOCHARGER, RHF5	1					
2	1	129472-18090	GASKET	1					
3	1	119131-18320	BOLT, STUD M8X22	4					
4	1	26306-080002	NUT, M8	4					

Fig.9. CRANKSHAFT & PISTON



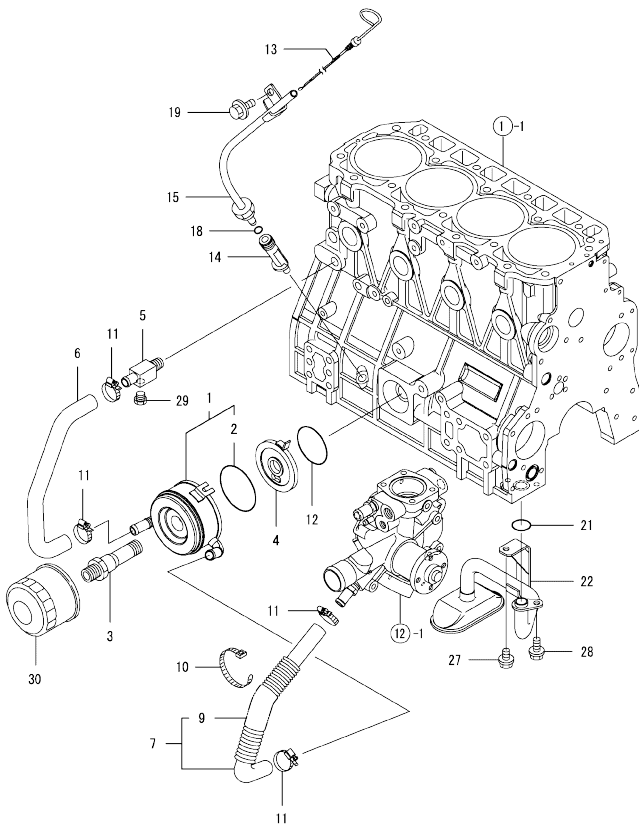
(A)=4TNV98T-ZNIKB
(B)=
(C)=

(D)=
(E)=
(F)=

No.	Lev.	Parts No.	Description	Q'ty						I	R	
				(A)	(B)	(C)	(D)	(E)	(F)			
1	1	129908-21100	CRANKSHAFT ASSY	1								
3	2	129900-21220	GEAR, CRANKSHAFT	1								
4	2	121850-21290	PIN	1								
5	2	121850-21920	PIN, PARALLEL 10X22	1								
6	2	22512-070140	KEY, 7X 14	1								
7	1	129916-21610	BOLT	1								
8	1	129960-21640	WASHER	1								
9	1	129916-21680	V-PULLEY, CRANKSHAFT	1								
10	1	24341-000530	O-RING, 1AS53.0	1								
11	1	121850-21130	BOLT, FLYWHEEL	6								
12	1	129906-21540	FLYWHEEL ASSY	1								
14	2	129900-21600	GEAR, RING	1								
15	1	129928-22080	PISTON ASSY	4								
17	2	129927-22050	RING SET, PISTON	4								
21	1	120130-22301	PIN, PISTON	4								
22	1	22252-000300	RING, 30	8								
23	1	129900-23001	ROD ASSY, CONNECTING	4								
26	2	129900-23200	BOLT, CONNECTING ROD	8								
27	2	129900-23601	BEARING, CRANK PIN	4								
29	1	129900-23911	BEARING, PISTON PIN	4								1
30	1	129900-23611	BEARING ASSY, 0.25US	4								2
32	1	729928-22900	PISTON ASSY, 0.25 OS	4								3
34	2	729927-22950	RING SET, 0.25 OS	4								3

Remarks
(1)REPAIR PART.
(2)UNDER-SIZED(U.S=0.25)PART.
(3)OVER-SIZED(O.S=0.25)PART.

Fig.10. LUB. OIL SYSTEM



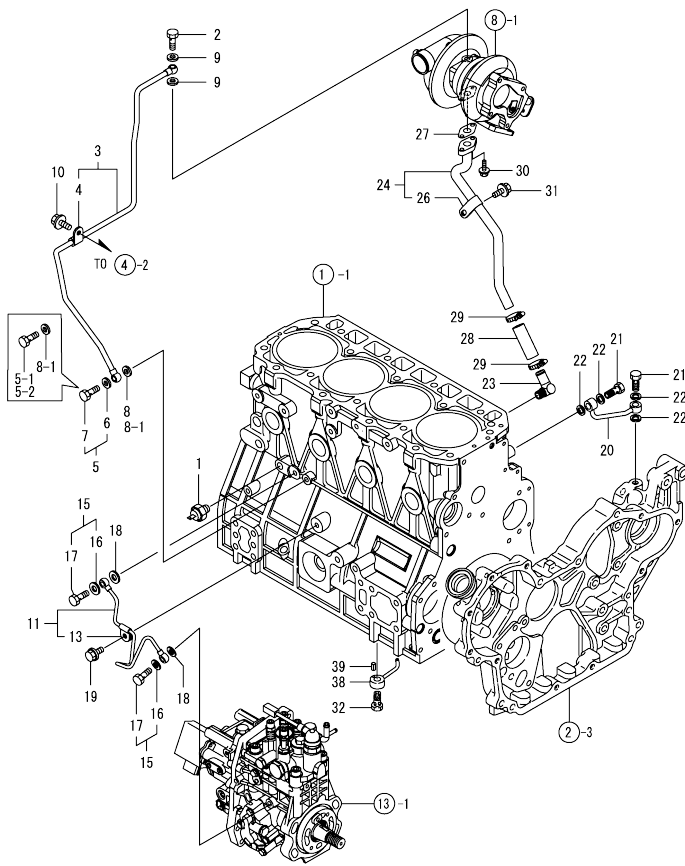
(A)=4TNV98T-ZNIKB
(B)=
(C)=

(D)=
(E)=
(F)=

No.	Lev.	Parts No.	Description	Q'ty						I	R
				(A)	(B)	(C)	(D)	(E)	(F)		
1	1	129908-33010	COOLER ASSY, OIL	1							
2	2	123912-33050	O-RING	1							
3	1	123912-33100	BOLT, COOLER	1							
4	1	129908-33101	BRACKET, OIL COOLER	1							
5	1	129006-44480	JOINT	1							
6	1	129908-49060	HOSE, WATER	1							
7	1	123910-49600	HOSE ASSY, WATER	1							
9	2	123910-49610	TUBE, CORRUGATED	1							
10	1	121750-59890	BAND, NYLON	1							
11	1	23000-025000	CLAMP, 25	4							
12	1	24321-000600	O-RING, 1AG60.0	1							
13	1	129907-34811	DIPSTICK	1							
14	1	129939-34863	GUIDE, DIPSTICK	1							
15	1	129939-34960	GUIDE, DIPSTICK	1							
18	1	24316-240100	O-RING, 4DP10A	1							
19	1	26106-080162	BOLT, M8X 16 PLATED	1							
21	1	129900-32030	O-RING, P20	1							
22	1	129953-35000	PIPE ASSY, OIL INLET	1							
27	1	26106-080122	BOLT, M8X 12 PLATED	1							
28	1	26106-080162	BOLT, M8X 16 PLATED	1							
29	1	171056-49120	PLUG, DRAIN R1/4	1							
30	1	129150-35153	FILTER ASSY, D80X80L	1							1

Remarks
(1)REPAIR PART.

Fig.11. LUB. OIL LINE

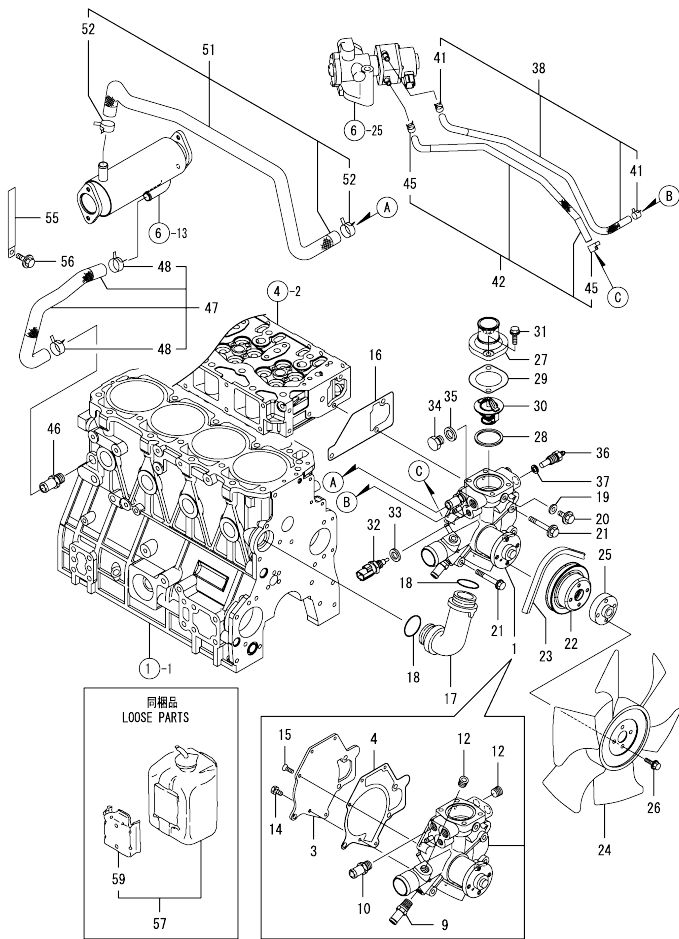


(A)=4TNV98T-ZNIKB
(B)=
(C)=

(D)=
(E)=
(F)=

No.	Lev.	Parts No.	Description	Q'ty						I	R
				(A)	(B)	(C)	(D)	(E)	(F)		
1	1	119761-39450	SWITCH, HYDRAULIC	1							
2	1	121252-39150	BOLT, JOINT M10X1.5	1							
3	1	129928-39450	PIPE ASSY, OIL	1							
4	2	124223-39900	RETAINER	1							
5	1	129005-59830	BOLT ASSY, JOINT M8	1							
5-1	1	105010-39140	BOLT, PIPE JOINT M8	1							S
(A=EA9992)											
5-2	1	129198-59540	BOLT, PIPE JOINT M8	1							S
(A=2020.06)											
6	2	22190-080002	WASHER, SEAL 6	1							Z
(A=EA9992)											
7	2	23857-030000	BOLT, JOINT 3	1							Z
(A=EA9992)											
8	1	22190-080002	WASHER, SEAL 6	1							
8-1	1	22190-080002	WASHER, SEAL 8	2							K
(A=EA9992)											
9	1	23414-100000	GASKET, 10X1.0	2							
10	1	26106-080122	BOLT, M8X 12 PLATED	1							
11	1	129927-39060	PIPE ASSY, OIL	1							
13	2	123907-39500	RETAINER, PIPE	1							
15	1	129005-59830	BOLT ASSY, JOINT M8	2							
16	2	22190-080002	WASHER, SEAL 6	2							
17	2	23857-030000	BOLT, JOINT 3	2							
18	1	22190-080002	WASHER, SEAL 6	2							
19	1	26106-080122	BOLT, M8X 12 PLATED	1							
20	1	129930-39050	PIPE, OIL	1							
21	1	105010-39140	BOLT, PIPE JOINT	2							
22	1	22190-080002	WASHER, SEAL 6	4							
23	1	124070-13300	ELBOW, PT3/8	1							
24	1	129935-39610	PIPE, OIL	1							
26	2	123910-39850	RETAINER	1							
27	1	129908-39690	GASKET	1							
28	1	123901-39820	HOSE, LO RETURN	1							
29	1	23000-025000	CLAMP, 25	2							
30	1	26106-060162	BOLT, M6X 16 PLATED	2							
31	1	26106-080122	BOLT, M8X 12 PLATED	1							
32	1	129908-39410	VALVE ASSY, CHECK	4							
38	1	119000-39650	NOZZLE, COOLING	4							
39	1	22351-030010	PIN, SPRING 3.0X10	4							

Fig.12. COOLING WATER SYSTEM

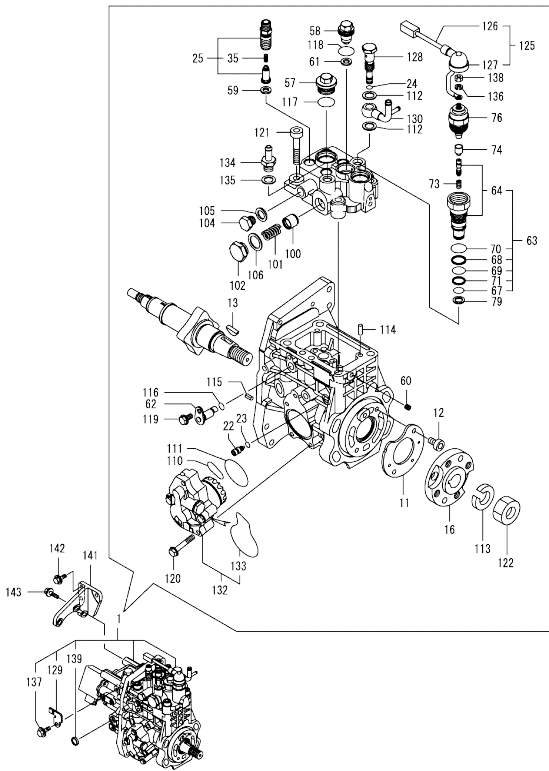


(A)=4TNV98T-ZNIKB
(B)=
(C)=

(D)=
(E)=
(F)=

No.	Lev.	Parts No.	Description	Q'ty						I	R
				(A)	(B)	(C)	(D)	(E)	(F)		
1	1	129949-42011	PUMP ASSY, WATER	1							
3	2	129900-42161	COVER	1							
4	2	129900-42170	GASKET	1							
9	2	129963-49300	JOINT, D14	1							
10	2	129928-49420	JOINT	1							
12	2	129916-49740	PLUG, R3/8	2							
14	2	26116-060162	BOLT, M6X 16 PLATED	2							
15	2	26577-060162	SCREW, M6X16	3							
16	1	129900-42061	GASKET, WATER PUMP	1							
17	1	129900-42070	PIPE, WATER	1							
18	1	129900-42140	O-RING, P36	2							
19	1	23414-080000	GASKET, 8X1.0	1							
20	1	26106-080122	BOLT, M8X 12 PLATED	1							
21	1	26106-080552	BOLT, M8X 55 PLATED	3							
22	1	129900-42461	V-PULLEY, C.W.PUMP	1							
23	1	25152-004600	V-BELT, A46	1							
24	1	129916-44740	FAN, COOLING D=430	1							
25	1	119130-44760	SPACER, FAN	1							
26	1	26106-080302	BOLT, M8X 30 PLATED	4							
27	1	129981-49531	COVER, THERMOSTAT	1							
28	1	121850-49550	GASKET, THERMOSTAT	1							
29	1	129900-49560	GASKET	1							
30	1	121850-49800	THERMOSTAT, 82C	1							
31	1	26106-080252	BOLT, M8X 25 PLATED	2							
32	1	129927-44900	SENSOR, WATER TEMP.	1							
33	1	22190-120006	WASHER, SEAL 12	1							
33-1	1	22190-120002	WASHER, SEAL 12	1							R
(A=FROM 1ST)											
34	1	121450-42450	PLUG, M16	1							
35	1	124465-44950	GASKET, 16	1							
36	1	119266-49350	SENSOR, WATER TEMP.	1							
37	1	129150-49360	GASKET	1							
38	1	129938-49650	PIPE ASSY, WATER	1							
41	2	23080-012000	CLAMP, 12	2							
42	1	129938-49660	PIPE ASSY, WATER	1							
45	2	23080-012000	CLAMP, 12	2							
46	1	129928-49420	JOINT	1							
47	1	129948-49610	HOSE ASSY, WATER	1							
48	2	129960-03990	CLAMP, HOSE 19.8	2							
51	1	129948-49620	HOSE ASSY, WATER	1							
52	2	129960-03990	CLAMP, HOSE 19.8	2							
55	1	129928-79700	CLAMP, 150-M8	1							
56	1	26106-080122	BOLT, M8X 12 PLATED	1							
57	1	720445-44200	TANK ASSY, SUB	1							
59	2	120445-44540	SUPPORT	1							

Fig.13. FUEL INJECTION PUMP

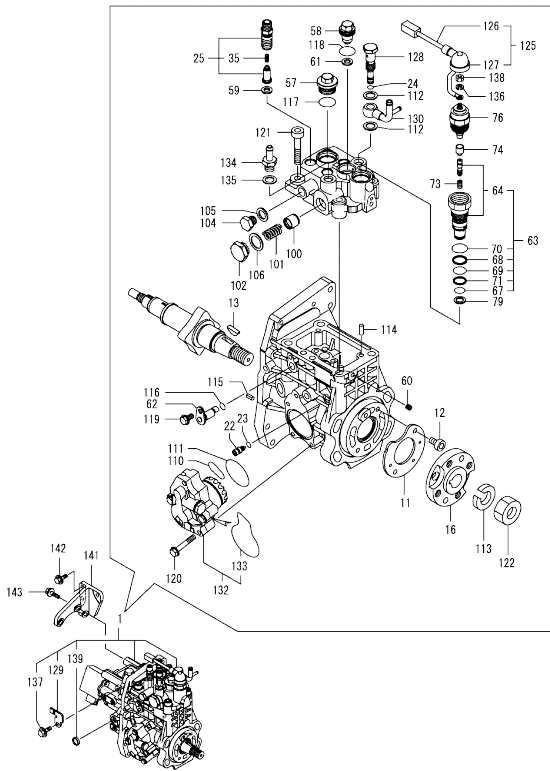


Remarks
 (1) GOVERNOR (FIG.14) IS INCORPORATED IN THIS FUEL INJECTION PUMP (REF.1).
 (1) ECO PUMP
 MAKE SURE TO UPDATE THE ENGINES ECU INFORMATION WHEN REPLACING THE ECO PUMP.
 FAILING TO DO SO WILL RESULT IN ENGINE MALFUNCTION.

No.	Lev.	Parts No.	Description	Q'ty						I	R	
				(A)	(B)	(C)	(D)	(E)	(F)			
1	1	729949-51340	PUMP ASSY, INJECTION	1							1	
11	2	129928-51900	COVER	1								
12	2	129008-51920	BOLT, SOCKET M6X10	2								
13	2	144626-51090	FEATHER KEY, 5X19	1								
16	2	158563-51150	FLANGE	1								
22	2	158600-51270	STOPPER, TAPPET	1								
23	2	158563-51281	O-RING, 4D S6	1								
24	2	158563-51281	O-RING, 4D S6	1								
25	2	129928-51390	VALVE ASSY, DELIVERY	4								
35	3	158563-51330	SPRING, DELIVERY	4								
57	2	158601-51550	PLUG, M22	1								
58	2	129907-51560	PLUG, M16	1								
59	2	158552-51571	GASKET, PLUG	4								
60	2	158557-51570	PLUG, RACK	1								
61	2	129906-51580	GASKET, PLUG	1								
62	2	158552-51580	LIFTER, LINK	1								
63	2	129657-51590	TIMER ASSY	1								
64	3	129657-51600	TIMER ASSY	1								
67	3	158553-51670	O-RING	1								
68	3	119802-51680	RING, BACKUP	1								
69	3	119802-51690	O-RING	1								
70	3	24356-190200	O-RING, 4D19020	1								
71	3	24372-000150	RING, BACK UP T2P15	1								
73	2	119852-51630	SPRING, TIMER	1								
74	2	119852-51640	CAP, TIMER	1								
76	2	119852-51650	VALVE ASSY, SOLENOID	1								
79	2	158553-51680	GASKET, TIMER	1								
100	2	158601-51770	PISTON, ACCUMULATOR	1								
101	2	158552-51781	SPRING, ACCUMULATOR	1								
102	2	158601-51790	PLUG	1								
104	2	158553-51930	PLUG, M12	1								
105	2	22190-120002	WASHER, SEAL 12	1								
106	2	22190-180002	WASHER, SEAL 18	1								
110	2	158552-52311	O-RING	1								
111	2	158552-52400	O-RING, 4E S42	1								
112	2	22190-120002	WASHER, SEAL 12	2								
113	2	22217-180000	WASHER, SPRING 18	1								
114	2	22312-050140	PIN, PARALLEL M5X14	2								
115	2	22351-050010	PIN, SPRING 5.0X10	2								
116	2	24311-000070	O-RING, 1AP7.0	1								
117	2	24356-190200	O-RING, 4D19020	1								
118	2	24356-240210	O-RING, 4D24021	1								
119	2	26106-060102	BOLT, M6X 10 PLATED	1								
120	2	26106-060352	BOLT, M6X 35 PLATED	4								
121	2	26450-100452	BOLT, M10X 45	4								
122	2	26776-180002	NUT, LOCK M18	1								
125	2	129927-51650	HARNESS ASSY, WIRE	1								
126	3	129927-51660	HARNESS	1								
127	3	129263-77941	CAP, RUBBER	1								
128	2	158601-51650	JOINT, OVER FLOW	1								
129	2	129927-51670	BRACKET	1								

N:Old $\frac{New}{Old}$ New, Q:Old $\frac{New}{Old}$ New, R:Old $\frac{New}{Old}$ New, S:Old $\frac{New}{Old}$ New, W:Add, Z:Discontinued, F:Interchangeable by set, K:Q'ty Change
 ++ CONTINUE ++
 Copyright (C) YANMAR GLOBAL CS CO., LTD. All Rights Reserved.

Fig.13. FUEL INJECTION PUMP



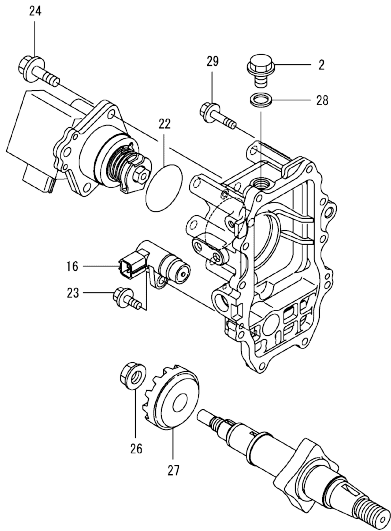
(A)=4TNV98T-ZNIKB
(B)=
(C)=

(D)=
(E)=
(F)=

No.	Lev.	Parts No.	Description	Q'ty					
				(A)	(B)	(C)	(D)	(E)	(F)
130	2	158552-51670	JOINT, OVER FLOW	1					
132	2	158552-52100	PUMP ASSY, FUEL FEED	1					
133	3	158552-52500	O-RING	1					
134	2	119934-59910	JOINT, PIPE	1					
135	2	22190-120002	WASHER, SEAL 12	1					
136	2	22217-050000	WASHER, SPRING 5	1					
137	2	26106-060122	BOLT, M6X 12 PLATED	1					
138	2	26716-050002	NUT, M5	1					
139	2	27241-160000	PLUG, 16	1					
141	1	129927-51250	RETAINER, PUMP	1					
142	1	26106-080202	BOLT, M8X 20 PLATED	3					
143	1	26106-080302	BOLT, M8X 30 PLATED	3					

Remarks
(1) GOVERNOR (FIG.14) IS INCORPORATED IN THIS FUEL INJECTION PUMP (REF.1).
(1) ECO PUMP
MAKE SURE TO UPDATE THE ENGINES ECU INFORMATION WHEN REPLACING THE ECO PUMP.
FAILING TO DO SO WILL RESULT IN ENGINE MALFUNCTION.

Fig.14. GOVERNOR



(A)=4TNV98T-ZNIKB
(B)=
(C)=

(D)=
(E)=
(F)=

No.	Lev.	Parts No.	Description	Q'ty						I	R
				(A)	(B)	(C)	(D)	(E)	(F)		
2	2	158553-51930	PLUG, M12	1							
16	2	158557-61720	SENSOR	1							
22	2	24341-000480	O-RING, 1AS48.0	1							
23	2	26106-060162	BOLT, M6X 16 PLATED	1							
24	2	26106-080252	BOLT, M8X 25 PLATED	3							
26	2	129008-61301	NUT	1							
27	2	158553-61780	GEAR, SENSOR	1							
28	2	22190-120000	WASHER, SEAL 12	1							
29	2	26106-060252	BOLT, M6X 25 PLATED	10							

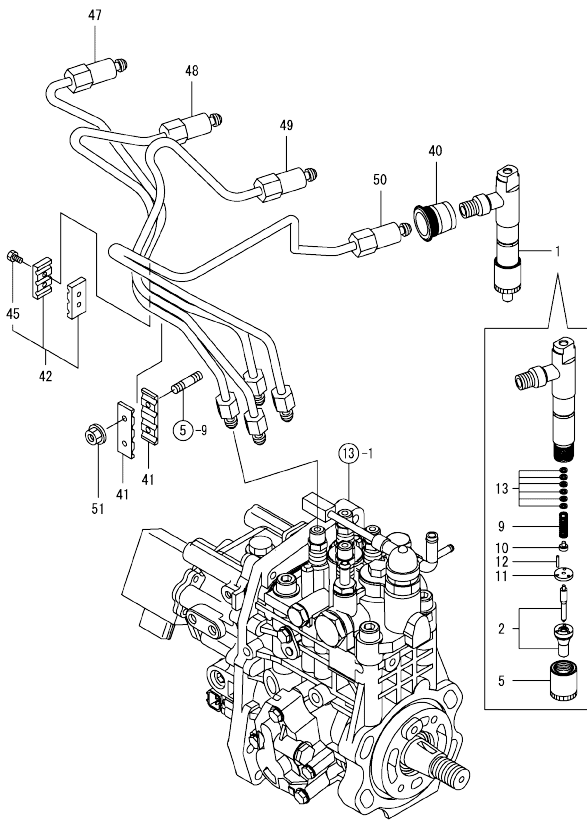
Remarks
*THIS FIGURE(GOVERNOR)IS INCORPORATED
IN THE FUEL INJECTION PUMP (FIG.13).

N:Old $\frac{100}{100}$ New, Q:Old $\frac{100}{100}$ New, R:Old $\frac{100}{100}$ New, S:Old $\frac{100}{100}$ New, W:Add, Z:Discontinued, F:Interchangeable by set, K:Q'ty Change
Copyright (C) YANMAR GLOBAL CS CO., LTD. All Rights Reserved.

Fig.15. FUEL INJECTION VALVE

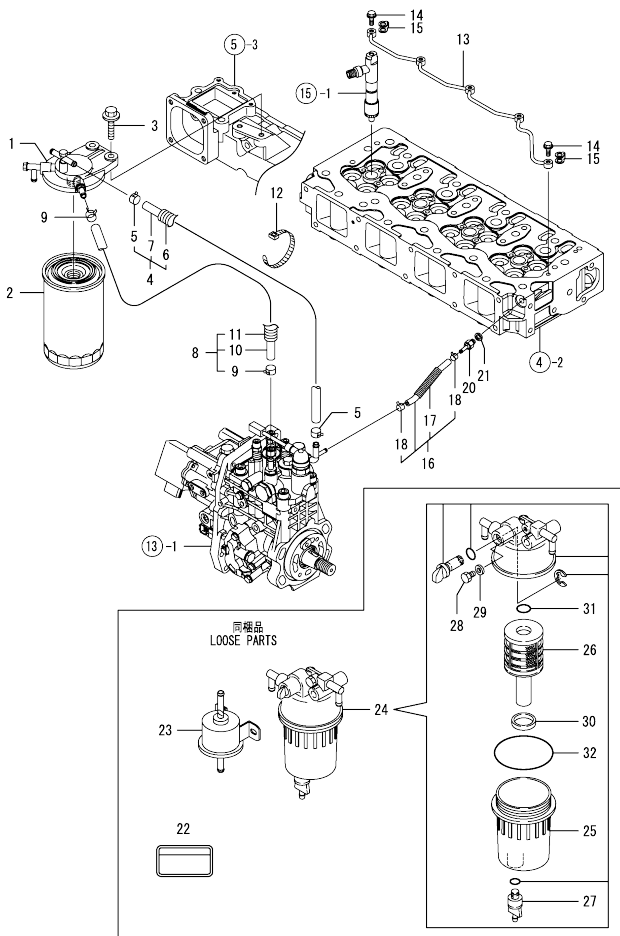
(A)=4TNV98T-ZNIKB
(B)=
(C)=

(D)=
(E)=
(F)=



No.	Lev.	Parts No.	Description	Q'ty					
				(A)	(B)	(C)	(D)	(E)	(F)
1	1	729928-53100	FUEL INJECTOR ASSY	4					
2	2	129928-53000	NOZZLE ASSY, F.I.	4					
5	2	114250-53080	NUT, NOZZLE	4					
9	2	114250-53120	SPRING, NOZZLE	4					
10	2	114250-53130	SEAT, SPRING	4					
11	2	114250-53140	SPACER	4					
12	2	114250-53210	PIN	8					
13	2	119803-53400	SHIM SET	4					
40	1	123907-11601	SEAL, PIPE	4					
41	1	123472-59120	RETAINER, PIPE	2					
42	1	129150-59120	RETAINER, PIPE	1					
45	2	129150-59131	BOLT, M4X14	2					
47	1	129927-59810	PIPE ASSY, INJECTION	1					
48	1	129927-59820	PIPE ASSY, INJECTION	1					
49	1	129927-59830	PIPE ASSY, INJECTION	1					
50	1	129927-59840	PIPE ASSY, INJECTION	1					
51	1	26366-060002	NUT, M6	2					

Fig.16. FUEL LINE



No.	Lev.	Parts No.	Description	Q'ty						I	R
				(A)	(B)	(C)	(D)	(E)	(F)		
1	1	129004-55612	BRACKET, FILTER	1							
2	1	129907-55801	FILTER, FUEL	1							
3	1	26106-080302	BOLT, M8X 30 PLATED	2							
4	1	129457-59010	HOSE ASSY, FUEL	1							
5	2	124766-59050	CLAMP, HOSE 11.5	2							
6	2	129957-59120	TUBE, CORRUGATED 15	1							
7	2	105025-59750	HOSE, FUEL	1							
8	1	129961-59310	HOSE ASSY, FUEL	1							
9	2	124766-59050	CLAMP, HOSE 11.5	2							
10	2	129136-59110	HOSE, D13/7.5X270	1							
11	2	129961-59110	TUBE, CORRUGATED 15	1							
12	1	121750-59890	BAND, NYLON	1							
13	1	129907-59140	PIPE ASSY, RETURN	1							
14	1	123907-59540	BOLT, PIPE JOINT M6	5							
15	1	123907-59550	GASKET	5							
16	1	129927-59550	HOSE ASSY RETURN	1							
17	2	129263-49750	TUBE, CORRUGATED	1							
18	2	124722-59050	CLAMP, HOSE 9	2							
20	1	123907-59560	JOINT, HOSE	1							
21	1	22190-080002	WASHER, SEAL 6	1							
22	1	114110-07760	LABEL, FUEL CAUTION	1							
23	1	119225-52102	PUMP, FUEL FEED	1							
24	1	129242-55710	SEPARATOR ASSY, WATER	1							
25	2	129242-55720	CUP, SEPARATOR	1							
26	2	129242-55730	ELEMENT, FUEL	1							
27	2	129242-55740	PLUG, DRAIN	1							
28	2	129242-55750	VALVE, AIR VENT	1							
29	2	129242-55760	GASKET, PLUG	1							
30	2	129242-55770	FLOAT	1							
31	2	24311-000160	O-RING, 1AP16.0	1							
32	2	24321-000750	O-RING, 1AG75.0	1							

Fig.17. STARTING MOTOR

(A)=4TNV98T-ZNIKB
(B)=
(C)=

(D)=
(E)=
(F)=

No.	Lev.	Parts No.	Description	Q'ty						I	R
				(A)	(B)	(C)	(D)	(E)	(F)		
1	1	129940-77010	STARTER ASSY	1							
2	2	129940-77100	ARMATURE ASSY	1							
5	2	129940-77130	COIL ASSY, FIELD	1							
6	3	129940-77140	SCREW, CORE SET	4							
7	3	129940-77150	O-RING	1							
8	3	129940-77160	BRUSH	2							
9	2	129940-77170	COVER	1							
10	2	129940-77180	HOLDER ASSY, BRUSH	1							
11	3	129940-77190	SPRING, BRUSH	1							
12	3	129940-77200	BRUSH	2							
13	2	129940-77210	SWITCH ASSY, MAGNET	1							
14	2	129940-77220	CASE, GEAR	1							
15	2	129940-77230	RETAINER, BEARING	1							
16	2	129940-77240	LEVER SET	1							
17	2	129940-77250	COVER KIT, DUST	1							
18	2	129940-77260	BOLT, THROUGH	2							
19	2	129940-77270	BOLT	4							
20	2	129940-77280	SCREW	2							
21	2	123900-77510	PINION ASSY	1							
22	3	123900-77520	CLUTCH ASSY	1							
23	4	X2240610100	BEARING, BALL	2							
24	3	123900-77540	SHAFT, PINION	1							
25	3	119131-77550	STOPPER SET, PINION	1							
29	2	121254-77810	COVER, TERMINAL	1							
30	2	114371-79070	BOLT	2							
31	1	26116-120252	BOLT, M12X 25 PLATED	2							

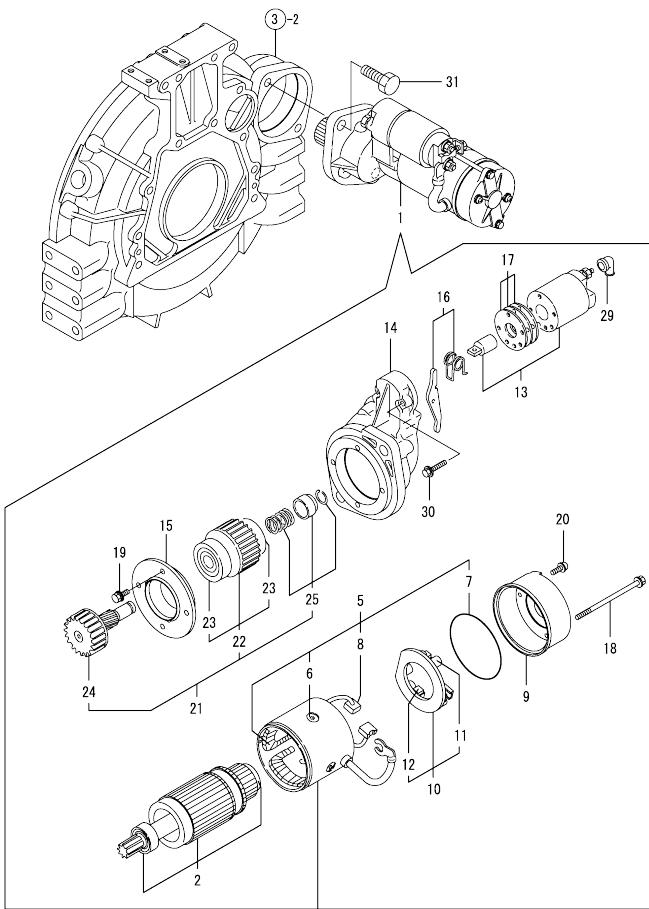
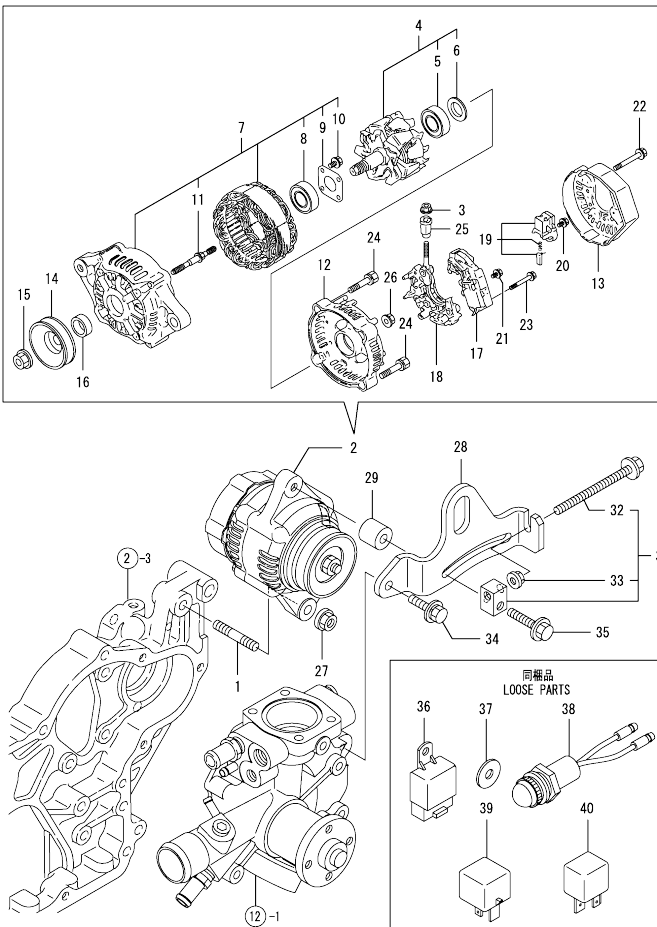


Fig.18. GENERATOR

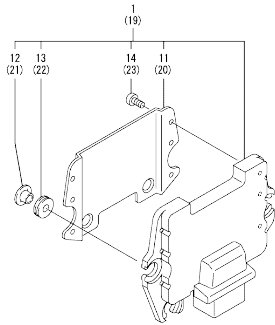


(A)=4TNV98T-ZNIKB
(B)=
(C)=

(D)=
(E)=
(F)=

No.	Lev.	Parts No.	Description	Qty						I	R
				(A)	(B)	(C)	(D)	(E)	(F)		
1	1	129795-01900	BOLT, STUD M10X33	1							
2	1	119626-77210	ALTERNATOR, 12V-55A	1							
3	2	X9490561001	NUT	1							
4	2	129052-77380	ROTOR ASSY	1							
5	3	123501-79240	BEARING, BALL	1							
6	3	119620-79250	COVER, BEARING	1							
7	2	129052-77422	FRAME ASSY	1							
8	3	119620-79200	BEARING, BALL	1							
9	3	119620-79210	RETAINER	1							
10	3	119620-79220	SCREW	4							
11	3	119620-79230	BOLT, STUD	2							
12	2	128401-77440	COVER	1							
13	2	119626-77450	FRAME	1							
14	2	119620-77461	PULLEY, GENERATOR	1							
15	2	119620-77471	NUT	1							
16	2	119620-77490	COLLAR	1							
17	2	119626-77710	REGULATOR ASSY	1							
18	2	129052-79260	HOLDER	1							
19	2	129052-79270	HOLDER, BRUSH	1							
20	2	119620-79290	SCREW	6							
21	2	119620-79300	SCREW	1							
22	2	119620-79310	BOLT	3							
23	2	119620-79320	SCREW	2							
24	2	119620-79330	BOLT	2							
25	2	119620-79340	BUSH, INSULATION	1							
26	2	119620-79350	NUT	2							
27	1	26306-100002	NUT, M10	1							
28	1	129953-77310	ADJUSTER	1							
29	1	124732-77340	SPACER	1							
30	1	119624-77351	BLOCK ASSY, ADJUSTER	1							
32	2	26106-081004	BOLT, M8X100 PLATED	1							
33	2	26306-080002	NUT, M8	1							
34	1	26014-080252	BOLT, M8X 25	1							
35	1	26106-080552	BOLT, M8X 55 PLATED	1							
36	1	198461-52950	RELAY, CA TYPE C	3							
36-1	1	172B02-17150	RELAY, CA TYPE C	3							R
				(A=EV3778)							
37	1	129927-77690	WASHER, ECU	3							
38	1	124732-77720	LAMP, CHARGING	1							
39	1	129927-77900	RELAY, ISO 90A	1							
40	1	129927-77920	RELAY, ISO 70A	1							

Fig.19. ELECTRONIC CONTROL UNIT (ECU)



(A)=4TNV98T-ZNIKB
(B)=
(C)=

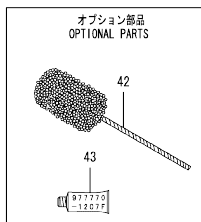
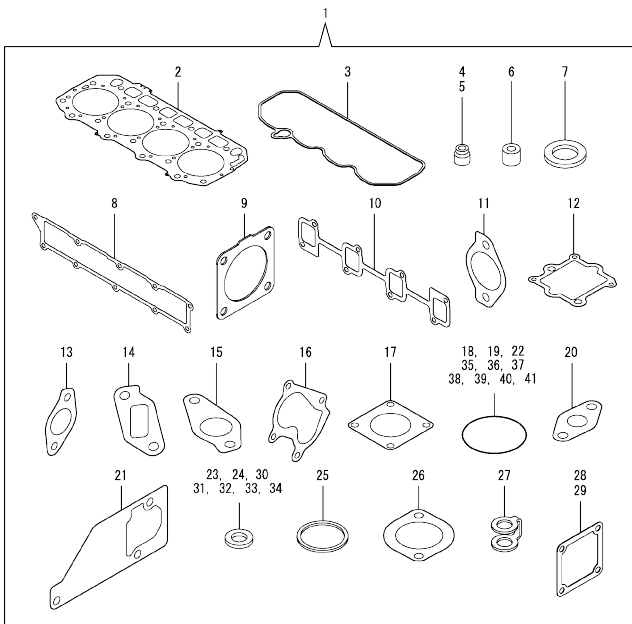
(D)=
(E)=
(F)=

No.	Lev.	Parts No.	Description	Q'ty						I	R
				(A)	(B)	(C)	(D)	(E)	(F)		
1	1	129949-75090	CONTROLLER ASSY, EUC	1							1
11	2	129927-77600	SHIELD, ECU	1							
12	2	129927-77680	COLLAR, CONTROL	3							
13	2	119578-91351	ABSORBER	3							
14	2	22877-500080	SCREW, 5X 8	6							
19	1	129927-75900	ECU ASSY, SERVICE	1							2
20	2	129927-77600	SHIELD, ECU	1							
21	2	129927-77680	COLLAR, CONTROL	3							
22	2	119578-91351	ABSORBER	3							
23	2	22877-500080	SCREW, 5X 8	6							

Remarks

(1)ECO ECU
THIS PART CANNOT BE ORDERED.
REPLACE THE PART USING A SERVICE
ECU WITH THE PROPER ENGINE
INFORMATION INSTALLED.
(2)SERVICE ECU
IF THE PROPER INFORMATION IS NOT
INSTALLED, THE ENGINE WILL NOT
OPERATE.
TO INSTALL PROPER INFORMATION,
GO TO AN AUTHORIZED DISTRIBUTOR.

Fig.20. GASKET SET



(A)=4TNV98T-ZNIKB
(B)=
(C)=

(D)=
(E)=
(F)=

No.	Lev.	Parts No.	Description	Qty						I	R	
				(A)	(B)	(C)	(D)	(E)	(F)			
1	1	129949-92600	GASKET SET	1							1	
2	2	129907-01331	GASKET, HEAD	1								
3	2	129933-11310	GASKET, BONNET	1								
4	2	119803-11340	SEAL, VALVE STEM	8								
5	2	124160-11340	SEAL, VALVE STEM	8								
6	2	119802-11870	PROTECTOR, NOZZLE	4								
7	2	119625-11880	SEAT, NOZZLE	4								
8	2	129907-12110	GASKET, MANIFOLD	1								
9	2	129930-13201	GASKET, SILENCER	1								
10	2	129900-13251	GASKET, EXH.MANIFOLD	1								
11	2	129928-13410	GASKET	2								
12	2	129928-13720	GASKET	1								
13	2	129927-13810	GASKET	1								
14	2	129927-13910	GASKET, EGR	1								
15	2	129927-13920	GASKET, EGR	1								
16	2	123901-18080	GASKET	1								
17	2	129472-18090	GASKET	1								
18	2	129900-32030	O-RING, P20	2								
19	2	129900-32040	O-RING, P14	1								
20	2	129908-39690	GASKET	1								
21	2	129900-42061	GASKET, WATER PUMP	1								
22	2	129900-42140	O-RING, P36	2								
23	2	124465-44950	GASKET, 16	1								
24	2	129150-49360	GASKET	1								
25	2	121850-49550	GASKET, THERMOSTAT	1								
26	2	129900-49560	GASKET	1								
27	2	123907-59550	GASKET	5								
28	2	119129-77020	GASKET	1								
29	2	121850-77021	GASKET, AIR HEATER	1								
30	2	22190-080002	WASHER, SEAL 6	11								
31	2	22190-120006	WASHER, SEAL 12	1								
32	2	22190-220002	WASHER, SEAL 22	1								
33	2	23414-080000	GASKET, 8X1.0	1								
34	2	23414-100000	GASKET, 10X1.0	2								
35	2	24311-000120	O-RING, 1AP12.0	8								
36	2	24311-000320	O-RING, 1AP32.0	3								
37	2	24316-240100	O-RING, 4DP10A	1								
38	2	24321-000600	O-RING, 1AG60.0	1								
39	2	24321-000850	O-RING, 1AG85.0	1								
40	2	24341-000530	O-RING, 1AS53.0	1								
41	2	24351-030750	O-RING, 1A3075	1								
42	1	129400-92450	HONE, FLEX	1								1
43	1	977770-1207F	GASKET, LIQUID	1								1

Remarks
(1)OPTIONAL PART.

Parts No. Index

Parts No.	Fig. No.	Ref. No.	Parts No.	Fig. No.	Ref. No.	Parts No.	Fig. No.	Ref. No.	Parts No.	Fig. No.	Ref. No.
105010-39140	11	5 -1	119626-77450	18	13	123907-59550	16	15	129150-59120	15	42
		21	119626-77710	18	17		20	27	129150-59131	15	45
105025-59750	16	7	119640-01640	3	9	123907-59560	16	20	129198-59540	11	5 -2
114110-07760	16	22	119761-39450	11	1	123910-39850	11	26	129242-55710	16	24
114250-53080	15	5	119802-11870	4	24	123910-49600	10	7	129242-55720	16	25
114250-53120	15	9		20	6	123910-49610	10	9	129242-55730	16	26
114250-53130	15	10	119802-13790	6	16	123912-33050	10	2	129242-55740	16	27
114250-53140	15	11	119802-51680	13	68	123912-33100	10	3	129242-55750	16	28
114250-53210	15	12	119802-51690	13	69	123944-12500	5	23	129242-55760	16	29
114371-79070	17	30	119803-11340	4	15	123951-18220	5	14	129242-55770	16	30
119000-39650	11	38		20	4	124070-13300	11	23	129263-49750	16	17
119005-77051	5	19	119803-53400	15	13	124160-01751	2	13	129263-77941	13	127
119100-11330	4	56	119852-51630	13	73		4	49	129400-92450	20	42
119117-12530	5	24	119852-51640	13	74	124160-11340	4	16	129410-03990	4	69
119117-12560	5	26	119852-51650	13	76		20	5	129418-18320	6	3
119117-12570	5	27	119934-59910	13	134	124160-11360	4	60			4
119129-77020	5	17	120130-22301	9	21	124223-39900	11	4	129457-59010	16	4
	20	28	120445-44540	12	59	124465-44950	12	35	129472-18090	8	2
119129-77520	5	20	121027-11743	2	22		20	23		20	17
119130-44760	12	25	121252-39150	11	2	124722-59050	16	18	129509-79700	4	57
119131-18320	8	3	121254-77810	17	29	124732-77340	18	29	129612-12650	5	28
119131-77550	17	25	121450-42450	12	34	124732-77720	18	38	129657-51590	13	63
119140-12680	5	29	121750-59890	10	10	124766-59050	16	5	129657-51600	13	64
119160-12540	5	25		16	12			9	129795-01900	18	1
119225-52102	16	23	121850-21130	9	11	128401-77440	18	12	129900-01200	1	27
119266-49350	12	36	121850-21290	9	4	129004-55612	16	1	129900-01250	1	4
119578-91351	19	13	121850-21920	9	5	129005-59830	11	5	129900-01740	2	15
		22	121850-49550	12	28			15	129900-01850	2	27
119593-11301	4	29		20	25	129006-44480	10	5	129900-01870	2	28
119620-01750	3	4	121850-49800	12	30	129008-51920	13	12	129900-02020	1	6
119620-11180	4	14	121850-77021	5	18	129008-61301	14	26	129900-02341	1	33
119620-77461	18	14		20	29	129052-77380	18	4	129900-02410	1	9
119620-77471	18	15	123472-59120	15	41	129052-77422	18	7	129900-02931	1	24
119620-77490	18	16	123501-79240	18	5	129052-79260	18	18	129900-02941	1	36
119620-79200	18	8	123900-13630	6	6	129052-79270	18	19	129900-13251	6	5
119620-79210	18	9	123900-25060	7	9	129100-01580	2	1		20	10
119620-79220	18	10	123900-77510	17	21		3	1	129900-14110	7	6
119620-79230	18	11	123900-77520	17	22	129136-59110	16	10	129900-14140	2	32
119620-79250	18	6	123900-77540	17	24	129150-02450	7	4	129900-21220	9	3
119620-79290	18	20	123901-03240	4	76	129150-03100	4	71	129900-21600	9	14
119620-79300	18	21	123901-18080	6	9	129150-11230	4	37	129900-23001	9	23
119620-79310	18	22		20	16			41	129900-23200	9	26
119620-79320	18	23	123901-39820	11	28	129150-11750	4	19	129900-23601	9	27
119620-79330	18	24	123907-11280	4	34			38	129900-23611	9	30
119620-79340	18	25	123907-11550	4	1			42	129900-23911	9	29
119620-79350	18	26	123907-11601	15	40	129150-14200	7	1	129900-25110	7	10
119624-77351	18	30	123907-11820	4	21	129150-25920	7	18	129900-26020	7	16
119625-11880	4	25	123907-11830	4	20	129150-35153	10	30	129900-26250	2	33
	20	7	123907-39500	11	13	129150-49360	12	37	129900-32030	2	6
119626-77210	18	2	123907-59540	16	14		20	24		10	21

Parts No. Index

Parts No.	Fig. No.	Ref. No.	Parts No.	Fig. No.	Ref. No.	Parts No.	Fig. No.	Ref. No.	Parts No.	Fig. No.	Ref. No.
129900-32030	20	18	129908-39690	20	20	129928-39450	11	3	129949-92600	20	1
129900-32040	2	7	129908-49060	10	6	129928-49420	12	10	129953-01620	3	2
	20	19	129916-01790	3	7			46	129953-25300	7	14
129900-42061	12	16	129916-01800	2	26	129928-51390	13	25	129953-35000	10	22
	20	21	129916-21610	9	7	129928-51900	13	11	129953-77310	18	28
129900-42070	12	17	129916-21680	9	9	129928-53000	15	2	129957-59120	16	6
129900-42140	12	18	129916-44740	12	24	129928-79700	12	55	129960-03990	12	48
	20	22	129916-49740	12	12	129930-01870	2	19			52
129900-42161	12	3	129927-13810	6	18	129930-13201	6	30	129960-21640	9	8
129900-42170	12	4		20	13		20	9	129961-59110	16	11
129900-42461	12	22	129927-13910	6	26	129930-39050	11	20	129961-59310	16	8
129900-49560	12	29		20	14	129933-11310	4	55	129963-49300	12	9
	20	26	129927-13920	6	27		20	3	129972-01500	2	3
129906-21540	9	12		20	15	129935-18010	8	1	129972-03220	4	74
129906-51580	13	61	129927-22050	9	17	129935-39610	11	24	129972-03230	4	75
129907-01331	1	28	129927-39060	11	11	129938-49650	12	38	129972-03240	4	73
	20	2	129927-44900	12	32	129938-49660	12	42	129974-18210	5	13
129907-03011	4	51	129927-51250	13	141	129939-34863	10	14	129981-49531	12	27
129907-03061	4	52	129927-51650	13	125	129939-34960	10	15	144626-51090	13	13
129907-03070	4	53	129927-51660	13	126	129940-77010	17	1	158552-51571	13	59
129907-07900	4	63	129927-51670	13	129	129940-77100	17	2	158552-51580	13	62
129907-11100	4	11	129927-59550	16	16	129940-77130	17	5	158552-51670	13	130
129907-11110	4	12	129927-59810	15	47	129940-77140	17	6	158552-51781	13	101
129907-11120	4	13	129927-59820	15	48	129940-77150	17	7	158552-52100	13	132
129907-11250	4	31	129927-59830	15	49	129940-77160	17	8	158552-52311	13	110
129907-11260	4	32	129927-59840	15	50	129940-77170	17	9	158552-52400	13	111
129907-11270	4	33	129927-75900	19	19	129940-77180	17	10	158552-52500	13	133
129907-11341	4	30	129927-77600	19	11	129940-77190	17	11	158553-51670	13	67
129907-11510	4	17		20	20	129940-77200	17	12	158553-51680	13	79
129907-11650	4	35	129927-77680	19	12	129940-77210	17	13	158553-51930	13	104
129907-11660	4	39		21	21	129940-77220	17	14		14	2
129907-11800	4	82	129927-77690	18	37	129940-77230	17	15	158553-61780	14	27
129907-11910	4	26	129927-77900	18	39	129940-77240	17	16	158557-51570	13	60
129907-11920	4	43	129927-77920	18	40	129940-77250	17	17	158557-61720	14	16
129907-11950	4	27	129928-11700	4	2	129940-77260	17	18	158563-51150	13	16
129907-12110	5	1	129928-12100	5	3	129940-77270	17	19	158563-51281	13	23
	20	8	129928-12150	5	2	129940-77280	17	20		24	
129907-14400	7	2	129928-13100	6	2	129948-03080	4	67	158563-51330	13	35
129907-25900	7	15	129928-13150	6	1	129948-07900	4	64	158600-51270	13	22
129907-34811	10	13	129928-13400	6	13	129948-11300	4	50	158601-51550	13	57
129907-51560	13	58	129928-13410	6	14	129948-13800	6	17	158601-51650	13	128
129907-55801	16	2		15	15	129948-13810	6	19	158601-51770	13	100
129907-59140	16	13		20	11	129948-49610	12	47	158601-51790	13	102
129908-14590	7	3	129928-13700	5	4	129948-49620	12	51	171051-01921	1	5
129908-21100	9	1	129928-13710	5	5	129949-01710	3	8	171056-49120	10	29
129908-32060	2	4	129928-13720	5	6	129949-03200	4	72	172B02-17150	18	36 -1
129908-33010	10	1		20	12	129949-13510	6	7	198461-52950	18	36
129908-33101	10	4	129928-13900	6	25	129949-13520	6	8	22190-080002	11	6
129908-39410	11	32	129928-18200	5	12	129949-42011	12	1		8	
129908-39690	11	27	129928-22080	9	15	129949-75090	19	1		8	-1

Parts No. Index

Parts No.	Fig. No.	Ref. No.
22190-080002	11	16
		18
		22
	16	21
	20	30
22190-120000	14	28
22190-120002	12	33 -1
	13	105
		112
		135
22190-120006	12	33
	20	31
22190-180002	13	106
22190-220002	3	11
	20	32
22217-050000	13	136
22217-180000	13	113
22252-000300	9	22
22312-050140	13	114
22351-030010	11	39
22351-050010	13	115
22351-060012	1	10
22512-070140	7	7
	9	6
22857-500100	4	58
22877-500080	19	14
		23
		78
23000-022000	4	78
23000-025000	10	11
	11	29
23000-054000	5	15
23000-070000	5	16 -1
23000-080000	5	16
23065-160250	4	79
23080-012000	12	41
		45
23414-080000	12	19
	20	33
23414-100000	11	9
	20	34
23857-030000	11	7
		17
23876-020000	4	8
23876-030000	1	11
		12
		13
		29
	4	9
24311-000070	13	116
24311-000120	4	28

Parts No.	Fig. No.	Ref. No.
24311-000120	4	61
	20	35
24311-000160	16	31
24311-000320	2	14
		23
	4	62
	20	36
24316-240100	10	18
	20	37
24321-000600	10	12
	20	38
24321-000750	16	32
24321-000850	2	20
	20	39
24341-000480	14	22
24341-000530	9	10
	20	40
24351-030750	2	8
	20	41
24356-190200	13	70
		117
24356-240210	13	118
24372-000150	13	71
25152-004600	12	23
26014-080252	18	34
26106-060102	13	119
26106-060122	4	59
	13	137
26106-060162	11	30
	14	23
26106-060202	5	7
		8
26106-060252	14	29
26106-060352	13	120
26106-080122	3	12
	10	27
	11	10
		19
		31
	12	20
		56
26106-080142	4	81
26106-080162	2	9
		16
		29
	4	65
	7	8
	10	19
		28
26106-080202	2	10

Parts No.	Fig. No.	Ref. No.
26106-080202	4	66
	6	10
	13	142
26106-080252	12	31
	14	24
26106-080302	12	26
	13	143
	16	3
26106-080352	6	20
26106-080402	2	17
		30
	4	45
	5	21
26106-080452	2	11
	5	10
	6	21
26106-080552	6	22
	7	13
	12	21
	18	35
26106-080602	4	46
		47
26106-080702	2	18
		31
26106-080802	5	11
26106-080902	5	22
26106-081004	18	32
26106-100202	2	21
	6	11
26106-100252	6	23
26106-100402	6	28
26106-101052	6	29
26116-050102	4	77
26116-060162	12	14
26116-120252	17	31
26206-100352	3	5
26206-100702	3	6
26216-060202	5	9
26216-100302	2	5
26226-080222	4	44
26306-080002	4	48
	6	12
		24
	8	4
	18	33
26306-100002	2	12
	18	27
26366-060002	15	51
26450-100452	13	121
26577-060162	12	15

Parts No.	Fig. No.	Ref. No.
26716-050002	13	138
26776-180002	13	122
27241-160000	13	139
27241-300000	1	14
27241-400000	4	10
27310-070001	4	22
720445-44200	12	57
729900-02801	1	30
729907-01559	2	24
729927-22950	9	34
729928-01560	1	1
729928-22900	9	32
729928-53100	15	1
729949-51340	13	1
977770-1207F	20	43
X2240610100	17	23
X9490561001	18	3