

0CD50-M01060EN

P R E F A C E

This parts catalog is the 1st edition of 4TNV98T-ZNLSC for LS Mtron Ltd..

Published : February, 2015

Contents

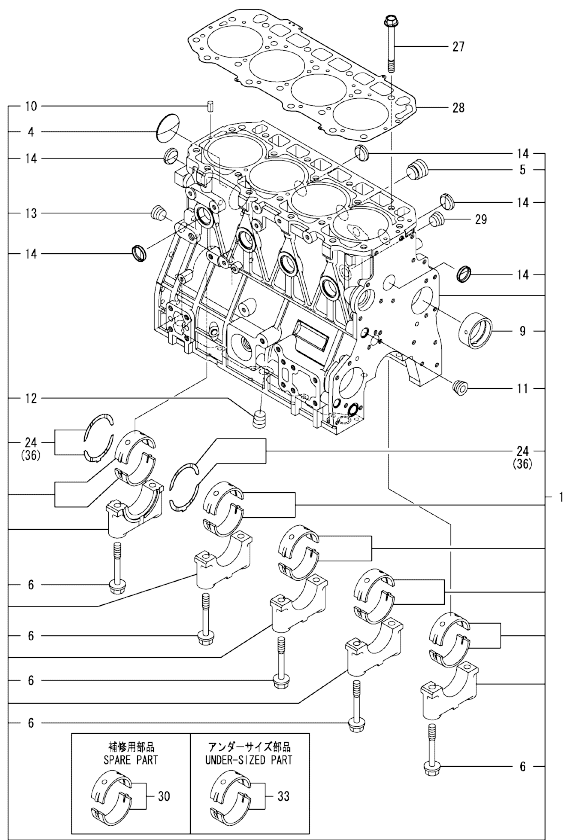
0CD50-M01060

Fig. No.	Fig. Name	Fig. No.	Fig. Name
4	TNV98T-ZNLSC		
1.	CYLINDER BLOCK		
2.	GEAR HOUSING		
3.	OIL SUMP		
4.	CYLINDER HEAD & BONNET		
5.	SUCTION MANIFOLD		
6.	EXHAUST MANIFOLD		
7.	CAMSHAFT & DRIVING GEAR		
8.	TURBINE		
9.	CRANKSHAFT & PISTON		
10.	LUB. OIL SYSTEM		
11.	LUB. OIL PIPE		
12.	COOLING WATER SYSTEM		
13.	FUEL INJECTION PUMP		
14.	GOVERNOR		
15.	FUEL INJECTION VALVE		
16.	FUEL PIPE		
17.	STARTER MOTOR		
18.	GENERATOR		
21.	(18A)GENERATOR		
19.	ELECTRONIC CONTROL UNIT(ECU)		
20.	ELECTRIC PARTS		

Fig.1. CYLINDER BLOCK

(A)=4TNV98T-ZNLSC
(B)=
(C)=

(D)=
(E)=
(F)=

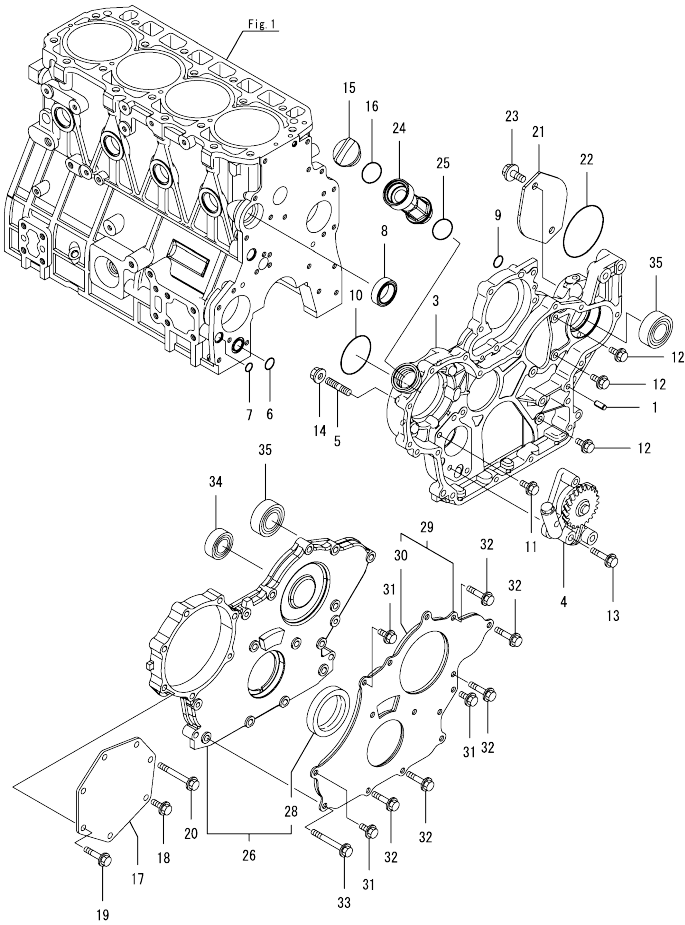


No.	Lev.	Parts No.	Description	Q'ty						I	R
				(A)	(B)	(C)	(D)	(E)	(F)		
1	1	729928-01560	BLOCK ASSY, CYLINDER	1							
4	2	129900-01250	PLUG, DISH TYPE 55	1							
5	2	171051-01921	PLUG, NPTF1	1							
6	2	129900-02020	BOLT, METAL CAP	10							
9	2	129900-02410	BUSH, CAMSHAFT	1							
10	2	22351-060012	PIN, SPRING 6.0X12	2							
11	2	23876-030000	PLUG, R03	1							
12	2	23876-030000	PLUG, R03	1							
13	2	23876-030000	PLUG, R03	1							
14	2	27241-300000	PLUG 30	8							
24	2	129900-02931	BEARING ASSY, THRUST	2							
27	1	129900-01200	BOLT, CYLINDER HEAD	18							
28	1	129907-01331	GASKET, HEAD	1							
29	1	23876-030000	PLUG, R03	1							
30	1	729900-02801	BEARING, MAIN	5							1
33	1	129900-02341	BEARING ASSY, MAIN	5							2
36	1	129900-02941	BEARING, THRUST 0.25	2							3

Remarks
 (1)Spare parts.
 (2)Under-sized(U.S.=0.25) parts.
 (3)Over-sized(O.S.=0.25) parts.

OCD50-M01060 4TNV98T-ZNLSC
Fig.2. GEAR HOUSING

OCD50-M01060 Fig.2

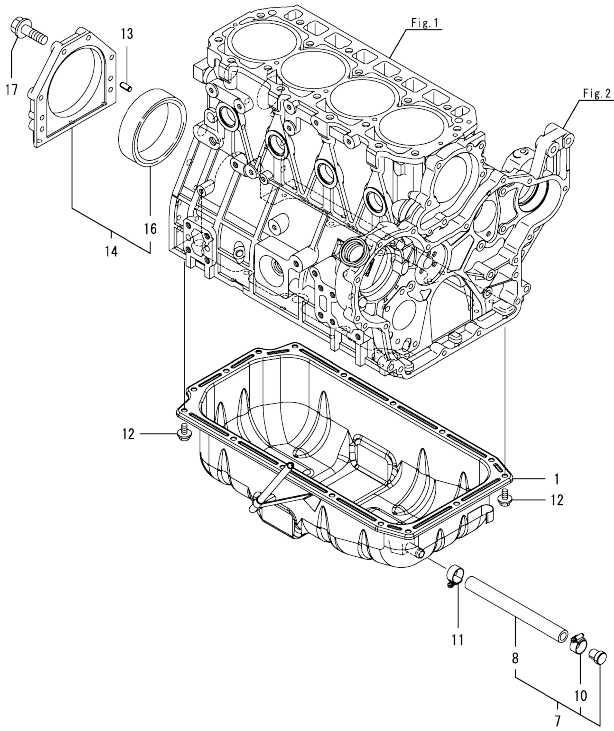


(A)=4TNV98T-ZNLSC
 (B)=
 (C)=

(D)=
 (E)=
 (F)=

No.	Lev.	Parts No.	Description	Q'ty						I	R
				(A)	(B)	(C)	(D)	(E)	(F)		
1	1	129100-01580	PIN, PARALLEL 8X16	4							
3	1	129933-01500	CASE, GEAR	1							
4	1	129908-32060	PUMP ASSY, OIL	1							
5	1	26216-100302	STUD, M10X 30	4							
6	1	129900-32030	O-RING, P20	1							
7	1	129900-32040	O-RING, P14	1							
8	1	129927-42140	GASKET, CW-P OUT	1							
9	1	24311-000070	O-RING, 1AP7.0	1							
10	1	24351-030750	O-RING, 1A3075	1							
11	1	26106-080162	BOLT, M8X 16 PLATED	1							
12	1	26106-080202	BOLT, M8X 20 PLATED	3							
13	1	26106-080452	BOLT, M8X 45 PLATED	3							
14	1	26306-100002	NUT, M10	4							
15	1	124160-01751	CAP, FILLER	1							
16	1	24311-000320	O-RING, 1AP32.0	1							
17	1	129951-01740	COVER	1							
18	1	26106-080202	BOLT, M8X 20 PLATED	1							
19	1	26106-080452	BOLT, M8X 45 PLATED	5							
20	1	26106-080752	BOLT, M8X 75 PLATED	1							
21	1	121023-26071	COVER, PUMP	1							
22	1	24321-000850	O-RING, 1AG85.0	1							
23	1	26106-100202	BOLT, M10X 20 PLATED	2							
24	1	171031-11741	PIPE	1							
25	1	24311-000320	O-RING, 1AP32.0	1							
26	1	729907-01559	COVER ASSY,GEAR CASE	1							
28	2	129916-01800	SEAL, OIL	1							
29	1	129900-01850	COVER ASSY,GEAR CASE	1							
30	2	129900-01870	SPONGE, GEAR CASE	1							
31	1	26106-080162	BOLT, M8X 16 PLATED	3							
32	1	26106-080402	BOLT, M8X 40 PLATED	5							
33	1	26106-080702	BOLT, M8X 70 PLATED	6							
34	1	129900-14140	BEARING, BALL 6205	1							
35	1	129900-26250	BEARING, BALL 6206C3	2							

Fig.3. OIL SUMP

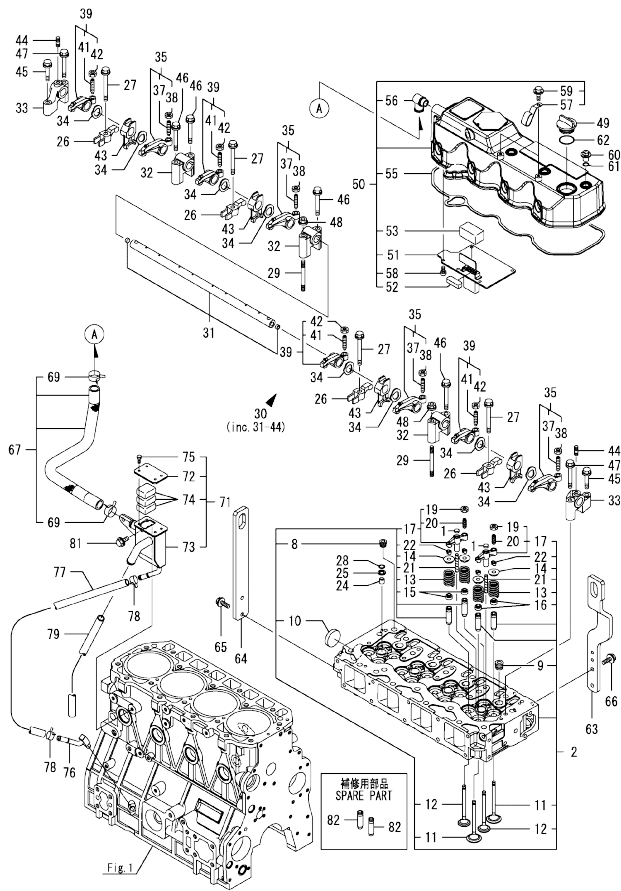


(A)=4TNV98T-ZNLSC
(B)=
(C)=

(D)=
(E)=
(F)=

No.	Lev.	Parts No.	Description	Q'ty					
				(A)	(B)	(C)	(D)	(E)	(F)
1	1	129974-01721	OIL PAN ASSY	1					
7	1	129966-39910	HOSE ASSY, OIL DRAIN	1					
8	2	129966-39920	HOSE, DRAIN	1					
10	2	23001-022000	CLAMP, HOSE 22	1					
11	1	23001-022000	CLAMP, HOSE 22	1					
12	1	26106-080122	BOLT, M8X 12 PLATED	16					
13	1	129100-01580	PIN, PARALLEL 8X16	2					
14	1	129966-01650	CASE ASSY, OIL SEAL	1					
16	2	129916-01790	SEAL, D115/95XT11	1					
17	1	129486-01670	BOLT, M8X30	6					

Fig.4. CYLINDER HEAD & BONNET



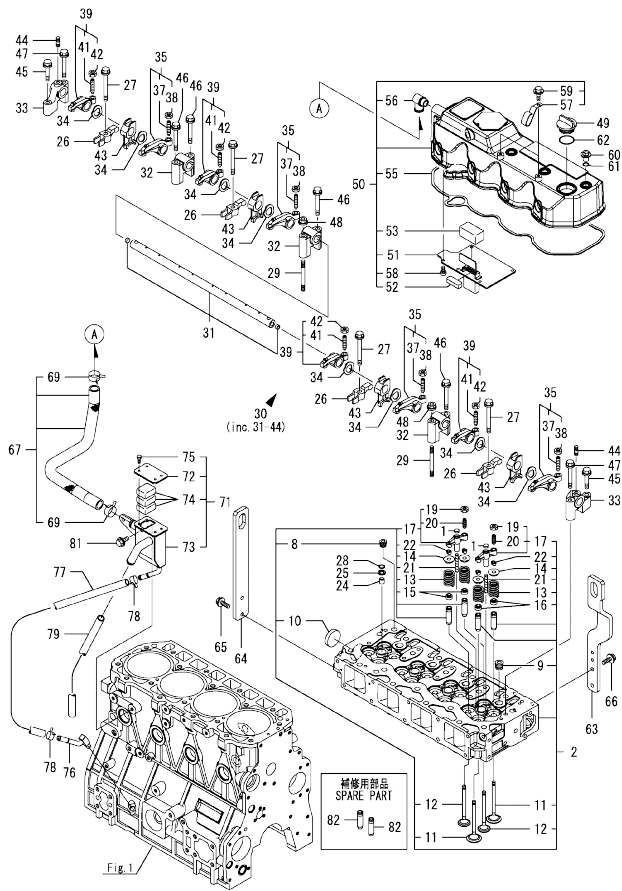
(A)=4TNV98T-ZNLSC
(B)=
(C)=

(D)=
(E)=
(F)=

No.	Lev.	Parts No.	Description	Q'ty						I	R
				(A)	(B)	(C)	(D)	(E)	(F)		
1	1	123907-11550	SEAT, VALVE BRIDGE	8							
2	1	129928-11700	HEAD ASSY, CYLINDER	1							
8	2	23876-020000	PLUG, R02	1							
9	2	23876-030000	PLUG, R03	4							
10	2	27241-400000	PLUG, 40	1							
11	2	129907-11100	VALVE, SUCTION	8							
12	2	129907-11110	VALVE, EXHAUST	8							
13	2	129907-11120	SPRING, VALVE	16							
14	2	119620-11180	RETAINER, SPRING	16							
15	2	119803-11340	SEAL, VALVE STEM	8							
16	2	124160-11340	SEAL, VALVE STEM	8							
17	2	129907-11510	BRIDGE ASSY, VALVE	8							
19	3	129150-11750	NUT, M8	8							
20	3	123907-11830	ADJUSTER	8							
21	2	123907-11820	GUIDE, BRIDGE	8							
22	2	27310-070001	COTTER, 7	16							
24	1	119802-11870	PROTECTOR, NOZZLE	4							
25	1	119625-11880	SEAT, NOZZLE	4							
26	1	129907-11910	RETAINER, NOZZLE	4							
27	1	129907-11950	BOLT, M8X75	4							
28	1	24311-000120	O-RING, 1AP12.0	4							
29	1	119593-11301	BOLT, STUD M8X80	2							
30	1	129907-11341	SHAFT ASSY, ROCKER	1							
31	2	129907-11250	SHAFT, ROCKER ARM	1							
32	2	129907-11260	SUPPORT, ROCKER ARM	3							
33	2	129907-11270	SUPPORT, ROCKER ARM	2							
34	2	123907-11280	WASHER	8							
35	2	129907-11650	ARM ASSY, ROCKER	4							
37	3	129150-11230	SCREW, VALVE ADJUST	4							
38	3	129150-11750	NUT, M8	4							
39	2	129907-11660	ARM ASSY, ROCKER	4							
41	3	129150-11230	SCREW, VALVE ADJUST	4							
42	3	129150-11750	NUT, M8	4							
43	2	129907-11920	RETAINER, NOZZLE	4							
44	2	26226-080222	STUD, M8X 22	2							
45	1	26106-080402	BOLT, M8X 40 PLATED	2							
46	1	26106-080602	BOLT, M8X 60 PLATED	4							
47	1	26106-080602	BOLT, M8X 60 PLATED	2							
48	1	26306-080002	NUT, M8	2							
49	1	124160-01751	CAP, FILLER	1							
50	1	129948-11300	BONNET ASSY, HEAD	1							
51	2	129907-03011	PLATE, BAFFLE	1							
52	2	129907-03061	BAFFLE, BREATHER	1							
53	2	129907-03070	BAFFLE, BREATHER	1							
55	2	129933-11310	GASKET, BONNET	1							
56	2	119100-11330	ELBOW, BREATHER	1							
57	2	129509-79700	CLAMP, 140-M6	2							
58	2	22857-500100	SCREW, 5X10	6							
59	2	26106-060122	BOLT, M6X 12 PLATED	2							
60	1	124160-11360	KNOB	4							
61	1	24311-000120	O-RING, 1AP12.0	4							

Remarks
(1) Spare parts.

Fig.4. CYLINDER HEAD & BONNET



(A)=4TNV98T-ZNLSC
(B)=
(C)=

(D)=
(E)=
(F)=

No.	Lev.	Parts No.	Description	Q'ty						I	R
				(A)	(B)	(C)	(D)	(E)	(F)		
62	1	24311-000320	O-RING, 1AP32.0	1							
63	1	129973-07901	LIFTER	1							
64	1	129973-07910	LIFTER	1							
65	1	26106-080202	BOLT, M8X 20 PLATED	2							
66	1	26106-080202	BOLT, M8X 20 PLATED	2							
67	1	129948-03080	HOSE ASSY, BREATHER	1							
69	2	129410-03990	CLAMP, HOSE 21.5	2							
71	1	129972-03240	SEPARATOR ASSY, MIST	1							
72	2	129972-03220	COVER, SEPARATOR	1							
73	2	129972-03230	SEPARATOR, MIST	1							
74	2	123901-03240	FILTER	3							
75	2	26116-050102	BOLT, M5X 10 PLATED	4							
76	1	129972-03280	JOINT, BREATHER	1							
77	1	129972-03310	HOSE	1							
78	1	23000-022000	CLAMP, 22	2							
79	1	23065-160250	PIPE, 16X 250	1							
81	1	26106-080142	BOLT, M8X 14 PLATED	2							
82	1	129907-11800	GUIDE, VALVE	16							1

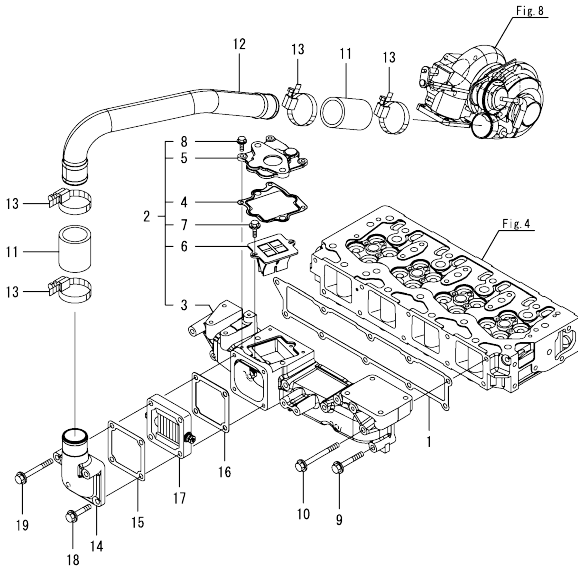
Remarks

(1)Spare parts.

Fig.5. SUCTION MANIFOLD

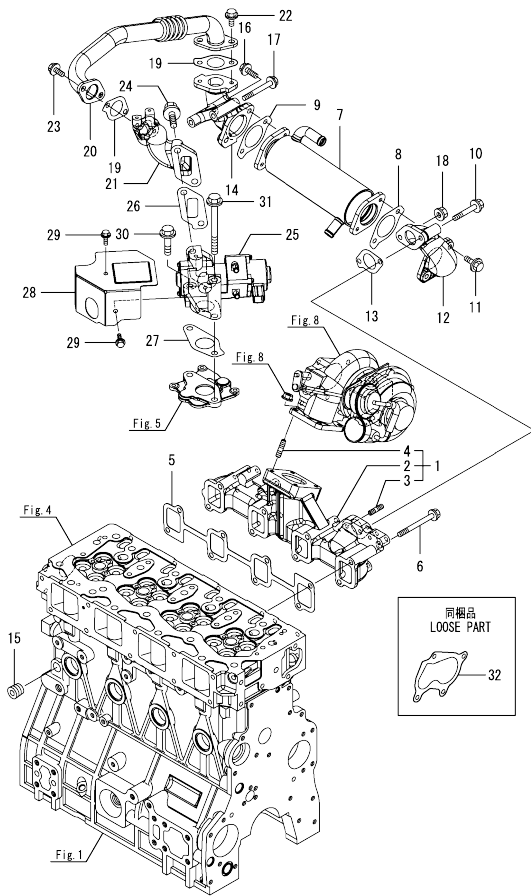
(A)=4TNV98T-ZNLSC
(B)=
(C)=

(D)=
(E)=
(F)=



No.	Lev.	Parts No.	Description	Q'ty						I	R
				(A)	(B)	(C)	(D)	(E)	(F)		
1	1	129907-12110	GASKET, MANIFOLD	1							
2	1	129973-12161	MANIFOLD CMP,INTAKE	1							
3	2	129973-12102	MANIFOLD,INTAKE	1							
4	2	129973-12110	GASKET	1							
5	2	129973-12200	SPACER	1							
6	2	129928-13700	VALVE, LEAD	1							
7	2	26106-060142	BOLT, M6X 14 PLATED	2							
8	2	26106-060182	BOLT, M6X 18 PLATED	3							
9	1	26106-080552	BOLT, M8X 55 PLATED	5							
10	1	26106-080852	BOLT, M8X 85 PLATED	5							
11	1	123951-18220	JOINT, RUBBER	2							
12	1	129973-18250	DUCT, AIR	1							
13	1	23000-054000	CLAMP, 54	4							
14	1	129973-12850	BEND, INTAKE	1							
15	1	119129-77020	GASKET	1							
16	1	121850-77021	GASKET, AIR HEATER	1							
17	1	119005-77051	HEATER, AIR	1							
18	1	26106-080402	BOLT, M8X 40 PLATED	2							
19	1	26106-080702	BOLT, M8X 70 PLATED	2							

Fig.6. EXHAUST MANIFOLD

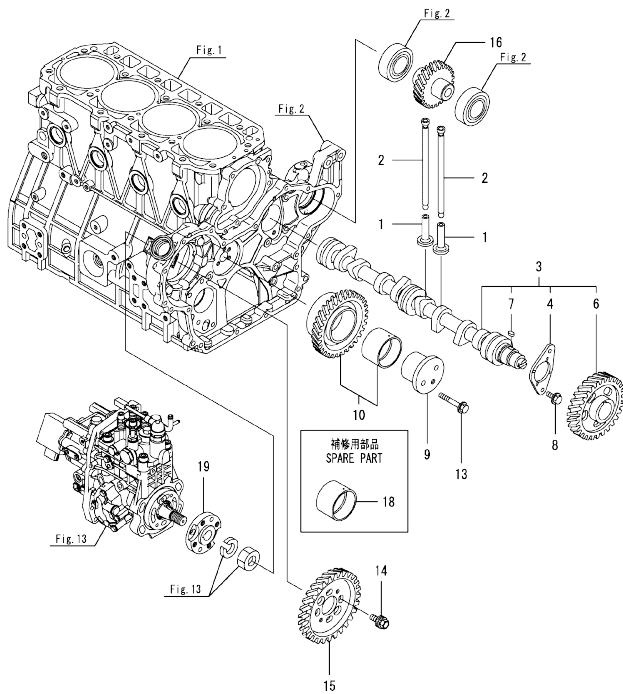


(A)=4TNV98T-ZNLSC
(B)=
(C)=

(D)=
(E)=
(F)=

No.	Lev.	Parts No.	Description	Qty						I	R
				(A)	(B)	(C)	(D)	(E)	(F)		
1	1	129973-13160	MANIFOLD ASSY,EXH	1							
2	2	129973-13110	MANIFOLD, EXHAUST	1							
3	2	129418-18320	BOLT, STUD M8X20	1							
4	2	129418-18320	BOLT, STUD M8X20	4							
5	1	129900-13251	GASKET, EXH.MANIFOLD	1							
6	1	129E00-13640	BOLT, M8X80 10.9T	8							
7	1	129973-13400	COOLER, EGR	1							
8	1	129928-13410	GASKET	1							
9	1	129928-13410	GASKET	1							
10	1	129E00-13610	BOLT, M8X50 10.9	1							
11	1	119802-13791	BOLT, M8X25 10.9T	2							
12	1	129973-13801	BEND,EGR COOLER IN	1							
13	1	129927-13810	GASKET	1							
14	1	129973-13811	BEND,EGR COOLER OUT	1							
15	1	23876-030000	PLUG, R03	1							
16	1	26106-080222	BOLT, M8X 22 PLATED	2							
17	1	26106-080652	BOLT, M8X 65 PLATED	2							
18	1	26306-080002	NUT, M8	1							
19	1	129927-13810	GASKET	2							
20	1	129973-13820	PIPE ASSY	1							
21	1	129973-13840	PIPE	1							
22	1	26106-080162	BOLT, M8X 16 PLATED	2							
23	1	26106-080162	BOLT, M8X 16 PLATED	2							
24	1	26106-100302	BOLT, M10X 30 PLATED	2							
25	1	129927-13900	VALVE, EGR	1							
26	1	129927-13910	GASKET, EGR	1							
27	1	129927-13920	GASKET, EGR	1							
28	1	129973-13961	COVER	1							
29	1	26106-060162	BOLT, M6X 16 PLATED	2							
30	1	26106-100402	BOLT, M10X 40 PLATED	1							
31	1	26106-101052	BOLT, M10X105 PLATED	1							
32	1	123901-18080	GASKET	1							

Fig.7. CAMSHAFT & DRIVING GEAR



(A)=4TNV98T-ZNLSC
(B)=
(C)=

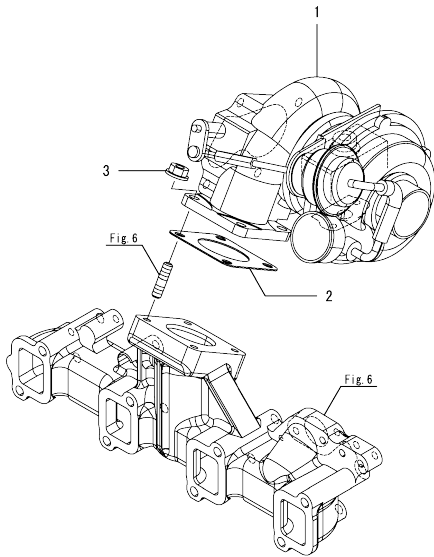
(D)=
(E)=
(F)=

No.	Lev.	Parts No.	Description	Q'ty						I	R
				(A)	(B)	(C)	(D)	(E)	(F)		
1	1	129150-14200	TAPPET	8							
2	1	129907-14400	PUSH-ROD	8							
3	1	129908-14581	CAMSHAFT ASSY	1							
4	2	129150-02450	BEARING, THRUST	1							
6	2	129900-14100	GEAR, CAMSHAFT	1							
7	2	22512-070140	KEY, 7X 14	1							
8	1	26106-080142	BOLT, M8X 14 PLATED	2							
9	1	123900-25060	SHAFT, IDLE GEAR	1							
10	1	129900-25100	GEAR ASSY, IDLE	1							
13	1	26106-080552	BOLT, M8X 55 PLATED	3							
14	1	129953-25300	BOLT	4							
15	1	129907-25900	GEAR, PUMP	1							
16	1	129900-26000	GEAR ASSY, PUMP	1							
18	1	129150-25920	BUSH, IDLE GEAR	1							1
19	1	158563-51150	FLANGE	1							

Remarks

(1)Spare parts.

Fig.8. TURBINE

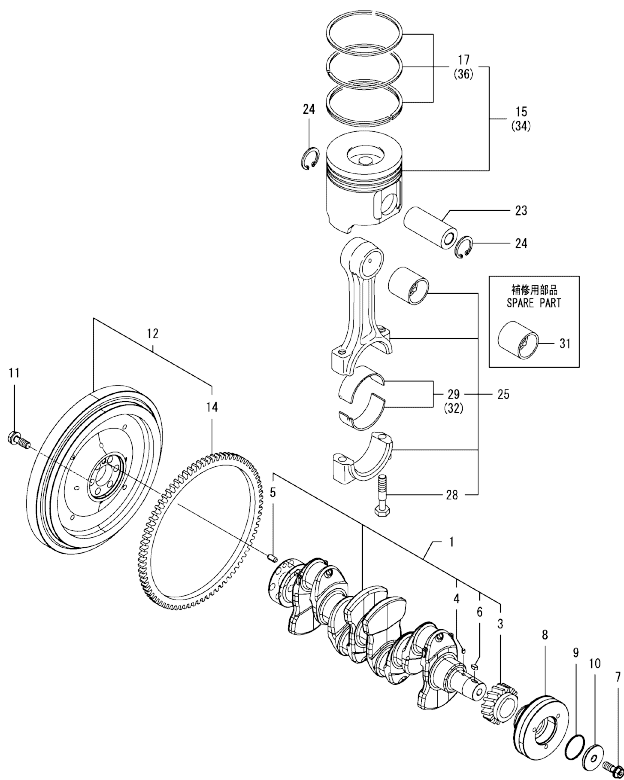


(A)=4TNV98T-ZNLSC
(B)=
(C)=

(D)=
(E)=
(F)=

No.	Lev.	Parts No.	Description	Q'ty					
				(A)	(B)	(C)	(D)	(E)	(F)
1	1	129908-18010	TURBOCHARGER, RHF5	1					
2	1	129472-18090	GASKET	1					
3	1	26306-080002	NUT, M8	4					

Fig.9. CRANKSHAFT & PISTON



(A)=4TNV98T-ZNLSC
(B)=
(C)=

(D)=
(E)=
(F)=

No.	Lev.	Parts No.	Description	Q'ty						I	R
				(A)	(B)	(C)	(D)	(E)	(F)		
1	1	129908-21000	CRANKSHAFT ASSY	1							
3	2	129900-21200	GEAR, CRANKSHAFT	1							
4	2	121850-21290	PIN	1							
5	2	121850-21920	PIN, PARALLEL 10X22	1							
6	2	22512-070140	KEY, 7X 14	1							
7	1	129916-21610	BOLT	1							
8	1	129907-21650	V-PULLEY, CRANK 130	1							
9	1	129960-21930	GASKET, WASHER	1							
10	1	129960-21940	WASHER, V-PULLEY	1							
11	1	121850-21130	BOLT, FLYWHEEL	6							
12	1	129960-21590	FLYWHEEL ASSY	1							
14	2	129900-21600	GEAR, RING	1							
15	1	129928-22080	PISTON ASSY	4							
17	2	129927-22050	RING SET, PISTON	4							
23	1	120130-22301	PIN, PISTON	4							
24	1	22252-000300	RING, 30	8							
25	1	129900-23001	ROD ASSY, CONNECTING	4							
28	2	129900-23200	BOLT, CONNECTING ROD	8							
29	2	129900-23601	BEARING, CRANK PIN	4							
31	1	129900-23911	BEARING, PISTON PIN	4							1
32	1	129900-23611	BEARING ASSY, 0.25US	4							2
34	1	729928-22900	PISTON ASSY, 0.25 OS	4							3
36	2	729927-22950	RING SET, 0.25 OS	4							3

Remarks

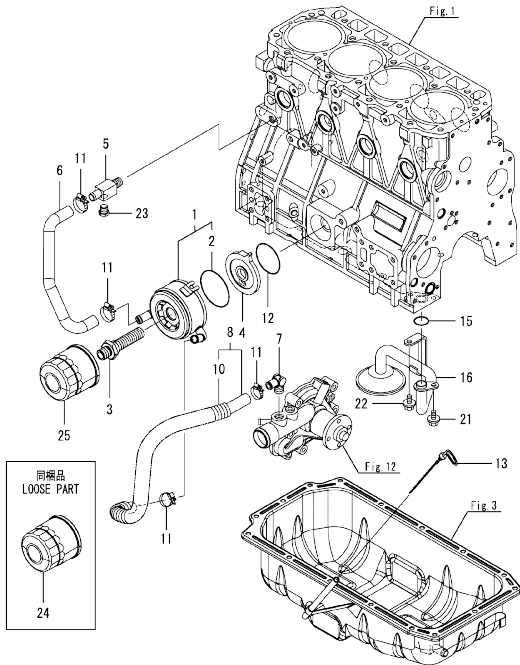
- (1)Spare parts.
- (2)Under-sized(U.S.=0.25) parts.
- (3)Over-sized(O.S.=0.25) parts.

Fig.10. LUB. OIL SYSTEM

(A)=4TNV98T-ZNLSC
(B)=
(C)=

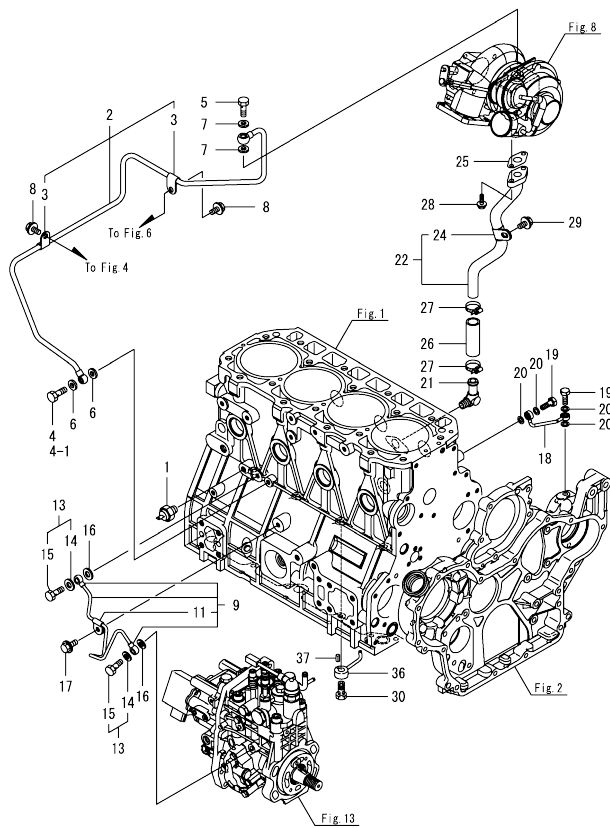
(D)=
(E)=
(F)=

No.	Lev.	Parts No.	Description	Q'ty						I	R
				(A)	(B)	(C)	(D)	(E)	(F)		
1	1	129908-33010	COOLER ASSY, OIL	1							
2	2	123912-33050	O-RING	1							
3	1	123912-33100	BOLT, COOLER	1							
4	1	129908-33101	BRACKET, OIL COOLER	1							
5	1	129006-44480	JOINT	1							
6	1	129908-49060	HOSE, WATER	1							
7	1	129466-49300	ELBOW, PT3/8	1							
8	1	123910-49600	HOSE ASSY, WATER	1							
10	2	123910-49610	TUBE, CORRUGATED	1							
11	1	23000-025000	CLAMP, 25	4							
12	1	24321-000600	O-RING, 1AG60.0	1							
13	1	129974-34800	DIPSTICK	1							
15	1	129900-32030	O-RING, P20	1							
16	1	129930-35000	PIPE ASSY, OIL INLET	1							
21	1	26106-080122	BOLT, M8X 12 PLATED	1							
22	1	26106-080122	BOLT, M8X 12 PLATED	1							
23	1	171056-49120	PLUG, DRAIN R1/4	1							
24	1	129150-35153	FILTER ASSY, D80X80L	1							
25	1	129150-35153	FILTER ASSY, D80X80L	1							1



Remarks
(1)Spare parts.

Fig.11. LUB. OIL PIPE

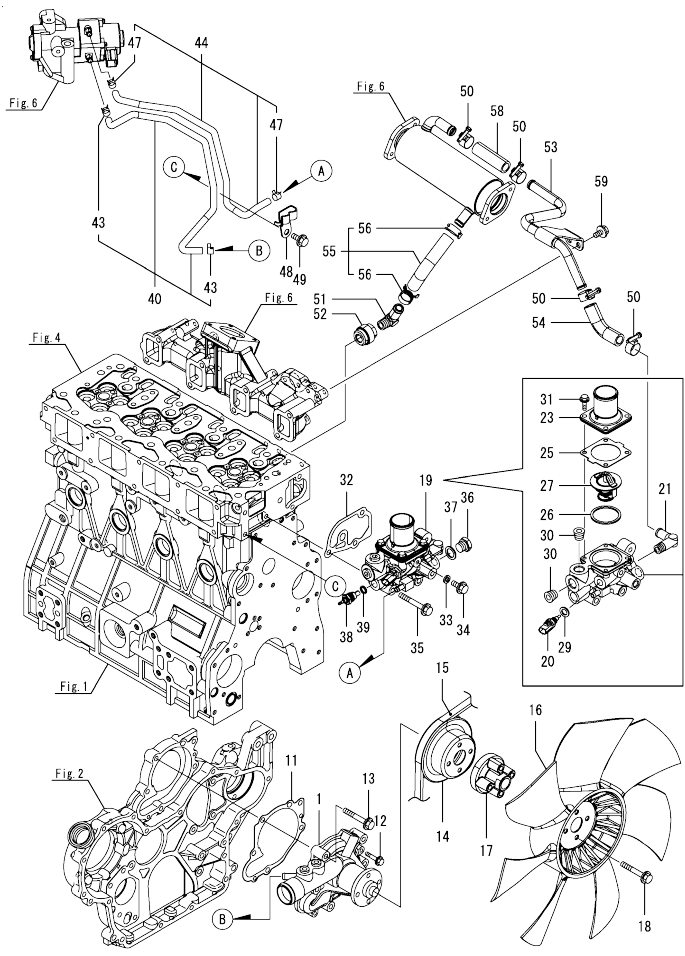


(A)=4TNV98T-ZNLSC
(B)=
(C)=

(D)=
(E)=
(F)=

No.	Lev.	Parts No.	Description	Q'ty						I	R
				(A)	(B)	(C)	(D)	(E)	(F)		
1	1	119761-39450	SWITCH, HYDRAULIC	1							
2	1	129973-39070	PIPE ASSY, OIL	1							
3	2	124223-39900	RETAINER	2							
4	1	105010-39140	BOLT, PIPE JOINT	1							
4-1	1	129198-59540	BOLT, PIPE JOINT M8	1							S
(A="2020.06)											
5	1	121252-39150	BOLT, JOINT M10X1.5	1							
6	1	22190-080002	WASHER, SEAL 8	2							
7	1	23414-100000	GASKET, 10X1.0	2							
8	1	26106-080122	BOLT, M8X 12 PLATED	2							
9	1	129927-39060	PIPE ASSY, OIL	1							
11	2	123907-39500	RETAINER, PIPE	1							
13	1	129005-59830	BOLT ASSY, JOINT M8	2							
14	2	22190-080002	WASHER, SEAL 8	2							
15	2	23857-030000	BOLT, JOINT 3	2							
16	1	22190-080002	WASHER, SEAL 8	2							
17	1	26106-080122	BOLT, M8X 12 PLATED	1							
18	1	129930-39050	PIPE, OIL	1							
19	1	105010-39140	BOLT, PIPE JOINT	2							
20	1	22190-080002	WASHER, SEAL 8	4							
21	1	124070-13300	ELBOW, PT3/8	1							
22	1	129973-39670	PIPE ASSY, OIL	1							
24	2	123910-39850	RETAINER	1							
25	1	129908-39690	GASKET	1							
26	1	129974-39820	HOSE, LO RETURN	1							
27	1	23000-025000	CLAMP, 25	2							
28	1	26106-060162	BOLT, M6X 16 PLATED	2							
29	1	26106-080122	BOLT, M8X 12 PLATED	1							
30	1	129908-39410	VALVE ASSY, CHECK	4							
36	1	119000-39650	NOZZLE, COOLING	4							
37	1	22351-030010	PIN, SPRING 3.0X10	4							

Fig.12. COOLING WATER SYSTEM



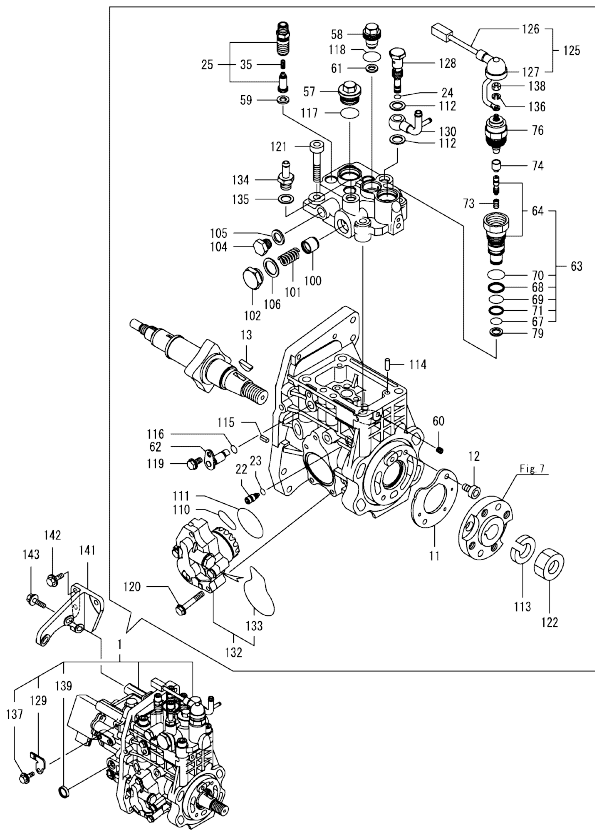
No.	Lev.	Parts No.	Description	Q'ty						I	R
				(A)	(B)	(C)	(D)	(E)	(F)		
1	1	129927-42001	PUMP ASSY, WATER	1							
1-1	1	129927-42002 (A=EV3960)	PUMP ASSY, CW	1							N
11	1	129900-42020	GASKET, WATER PUMP	1							
12	1	26106-060302	BOLT, M6X 30 PLATED	2							
13	1	26106-080552	BOLT, M8X 55 PLATED	5							
14	1	129930-42450	V-PULLEY, C.W.PUMP	1							
15	1	25132-004300	V-BELT, A43	1							
15-1	1	25132-004400	V-BELT, A44	1							N
(A=EV3323)											
16	1	129907-44740	FAN, COOLING D430X7	1							
17	1	119141-44760	SPACER, FAN	1							
18	1	26106-080552	BOLT, M8X 55 PLATED	4							
19	1	129949-49850	CASE ASSY,THERMOSTAT	1							
20	2	129927-44900	SENSOR, WATER TEMP.	1							
21	2	129973-49400	ELBOW, R3/8	1							
23	2	129916-49530	COVER, THERMOSTAT	1							
25	2	121850-49540	GASKET, THERMOSTAT	1							
26	2	121850-49550	GASKET, THERMOSTAT	1							
27	2	121850-49811	THERMOSTAT, 71C	1							
29	2	22190-120002	WASHER, SEAL 12	1							
30	2	23875-030000	PLUG, R03	2							
31	2	26106-060202	BOLT, M6X 20 PLATED	4							
32	1	129900-49870	GASKET, THERMOSTAT	1							
33	1	23414-080000	GASKET, 8X1.0	1							
34	1	26106-080122	BOLT, M8X 12 PLATED	1							
35	1	26106-080602	BOLT, M8X 60 PLATED	3							
36	1	121450-42450	PLUG, M16	1							
37	1	124465-44950	GASKET, 16	1							
38	1	124250-49351	SENSOR, WATER TEMP.	1							
39	1	129150-49360	GASKET	1							
40	1	129968-49610	PIPE, WATER	1							
43	2	23080-012000	CLAMP, 12	2							
44	1	129968-49620	PIPE, WATER	1							
47	2	23080-012000	CLAMP, 12	2							
48	1	129968-49850	RETAINER, PIPE	1							
49	1	26106-080142	BOLT, M8X 14 PLATED	1							
50	1	23000-022000	CLAMP, 22	4							
51	1	124070-13300	ELBOW, PT3/8	1							
52	1	129973-49110	JOINT	1							
53	1	129973-49640	PIPE, WATER	1							
54	1	129973-49680	PIPE, WATER	1							
55	1	129973-49740	PIPE ASSY, WATER	1							
56	2	129960-03990	CLAMP, HOSE 19.8	2							
58	1	129973-49780	JOINT	1							
59	1	26106-080162	BOLT, M8X 16 PLATED	2							

N:Old $\frac{100}{100}$ New, Q:Old $\frac{100}{100}$ New, R:Old $\frac{100}{100}$ New, S:Old $\frac{100}{100}$ New, W:Add, Z:Discontinued, F:Interchangeable by set, K:Q'ty Change
 Copyright (C) 2015 YANMAR GLOBAL CS CO., LTD. All Rights Reserved.

Fig.13. FUEL INJECTION PUMP

(A)=4TNV98T-ZNLSC
(B)=
(C)=

(D)=
(E)=
(F)=



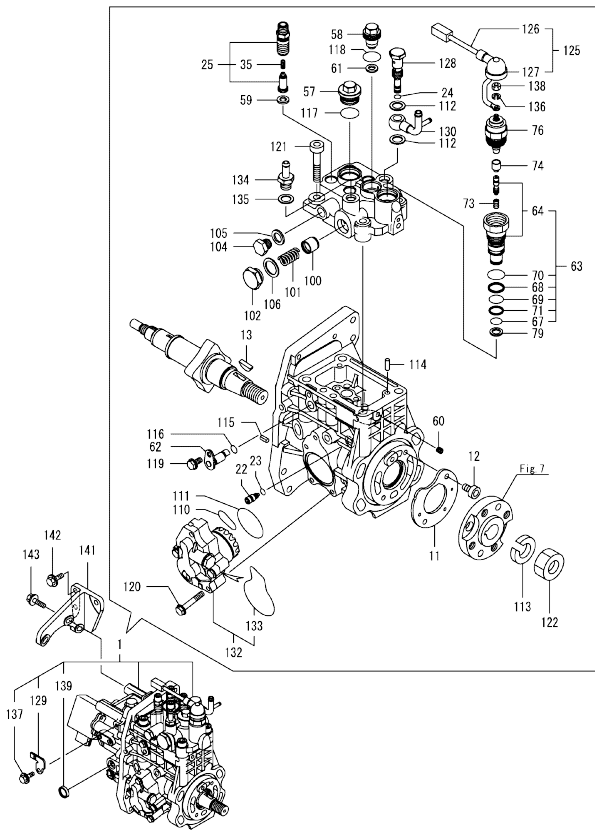
No.	Lev.	Parts No.	Description	Q'ty						I	R
				(A)	(B)	(C)	(D)	(E)	(F)		
1	1	729974-51410	FIE ASSY	1							1
11	2	129928-51900	COVER	1							
12	2	129008-51920	BOLT, SOCKET M6X10	2							
13	2	144626-51090	FEATHER KEY, 5X19	1							
22	2	158600-51270	STOPPER, TAPPET	1							
23	2	158563-51281	O-RING, 4D S6	1							
24	2	158563-51281	O-RING, 4D S6	1							
25	2	129928-51390	VALVE ASSY, DELIVERY	4							
35	3	158563-51330	SPRING, DELIVERY	4							
57	2	158601-51550	PLUG, M22	1							
58	2	129907-51560	PLUG, M16	1							
59	2	158552-51571	GASKET, PLUG	4							
60	2	158557-51570	PLUG, RACK	1							
61	2	129906-51580	GASKET, PLUG	1							
62	2	158552-51580	LIFTER, LINK	1							
63	2	129657-51590	TIMER ASSY	1							
64	3	129657-51600	TIMER ASSY	1							
67	3	158553-51670	O-RING	1							
68	3	119802-51680	RING, BACKUP	1							
69	3	119802-51690	O-RING	1							
70	3	24356-190200	O-RING, 4D19020	1							
71	3	24372-000150	RING, BACK UP T2P15	1							
73	2	119852-51630	SPRING, TIMER	1							
74	2	119852-51640	CAP, TIMER	1							
76	2	119852-51650	VALVE ASSY, SOLENOID	1							
79	2	158553-51680	GASKET, TIMER	1							
100	2	158601-51770	PISTON, ACCUMULATOR	1							
101	2	158552-51781	SPRING, ACCUMULATOR	1							
102	2	158601-51790	PLUG	1							
104	2	158553-51930	PLUG, M12	1							
105	2	22190-120002	WASHER, SEAL 12	1							
106	2	22190-180002	WASHER, SEAL 18	1							
110	2	158552-52311	O-RING	1							
111	2	158552-52400	O-RING, 4E S42	1							
112	2	22190-120002	WASHER, SEAL 12	2							
113	2	22217-180000	WASHER, SPRING 18	1							
114	2	22312-050140	PIN, PARALLEL 5X14	2							
115	2	22351-050010	PIN, SPRING 5.0X10	2							
116	2	24311-000070	O-RING, 1AP7.0	1							
117	2	24356-190200	O-RING, 4D19020	1							
118	2	24356-240210	O-RING, 4D24021	1							
119	2	26106-060102	BOLT, M6X 10 PLATED	1							
120	2	26106-060352	BOLT, M6X 35 PLATED	4							
121	2	26450-100452	BOLT, M10X 45	4							
122	2	26776-180002	NUT, LOCK M18	1							
125	2	129927-51650	HARNES ASSY, WIRE	1							
126	3	129927-51660	HARNES	1							
127	3	129263-77941	CAP, RUBBER	1							
128	2	158601-51650	JOINT, OVER FLOW	1							
129	2	129927-51670	BRACKET	1							
130	2	158552-51670	JOINT, OVER FLOW	1							

Remarks
 (1)Governor(Fig.14) is incorporated in this Fuel Injection Pump(No.1).
 (1)Eco pump
 Make sure to update the engines ECU information when replacing the Eco pump.
 Failing to do so will result in engine malfunction.

Fig.13. FUEL INJECTION PUMP

(A)=4TNV98T-ZNLSC
(B)=
(C)=

(D)=
(E)=
(F)=

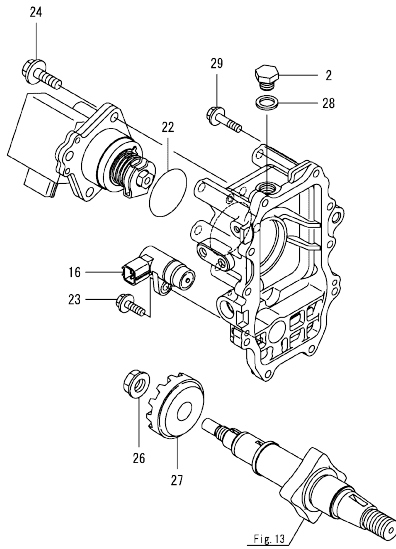


No.	Lev.	Parts No.	Description	Q'ty					
				(A)	(B)	(C)	(D)	(E)	(F)
132	2	158552-52100	PUMP ASSY, FUEL FEED	1					
133	3	158552-52500	O-RING	1					
134	2	119934-59910	JOINT, PIPE	1					
135	2	22190-120002	WASHER, SEAL 12	1					
136	2	22217-050000	WASHER, SPRING 5	1					
137	2	26106-060122	BOLT, M6X 12 PLATED	1					
138	2	26716-050002	NUT, M5	1					
139	2	27241-160000	PLUG, 16	1					
141	1	129927-51250	RETAINER, PUMP	1					
142	1	26106-080202	BOLT, M8X 20 PLATED	3					
143	1	26106-080302	BOLT, M8X 30 PLATED	3					

Remarks

(1)Governor(Fig.14) is incorporated in this Fuel Injection Pump(No.1).
(1)Eco pump
Make sure to update the engines ECU information when replacing the Eco pump.
Failing to do so will result in engine malfunction.

Fig.14. GOVERNOR



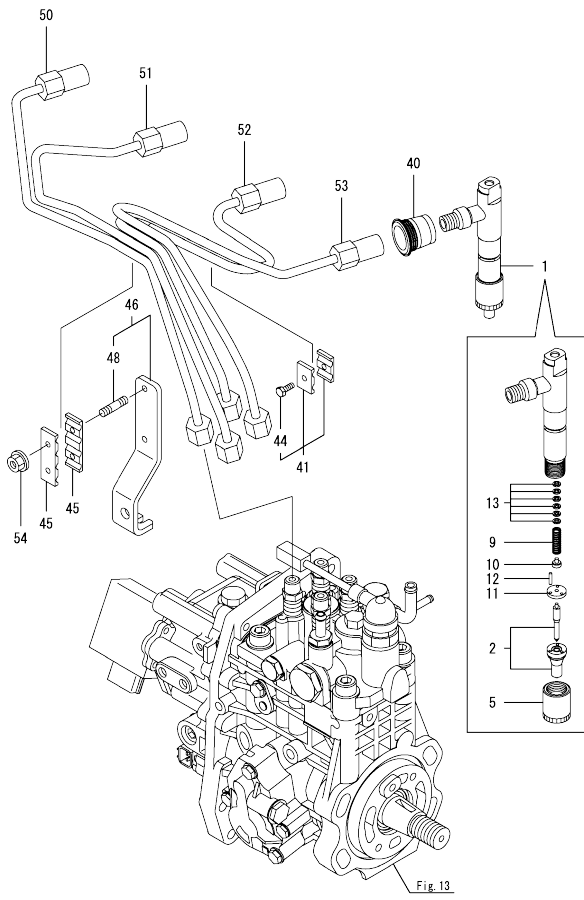
(A)=4TNV98T-ZNLSC
(B)=
(C)=

(D)=
(E)=
(F)=

No.	Lev.	Parts No.	Description	Q'ty						I	R
				(A)	(B)	(C)	(D)	(E)	(F)		
2	2	158553-51930	PLUG, M12	1							
16	2	158557-61720	SENSOR	1							
22	2	24341-000480	O-RING, 1AS48.0	1							
23	2	26106-060162	BOLT, M6X 16 PLATED	1							
24	2	26106-080252	BOLT, M8X 25 PLATED	3							
26	2	129008-61301	NUT	1							
27	2	158553-61780	GEAR, SENSOR	1							
28	2	22190-120002	WASHER, SEAL 12	1							
29	2	26106-060252	BOLT, M6X 25 PLATED	10							

Remarks
* This figure(Governor) is incorporated in the Fuel Injection Pump(Fig.13).

Fig.15. FUEL INJECTION VALVE

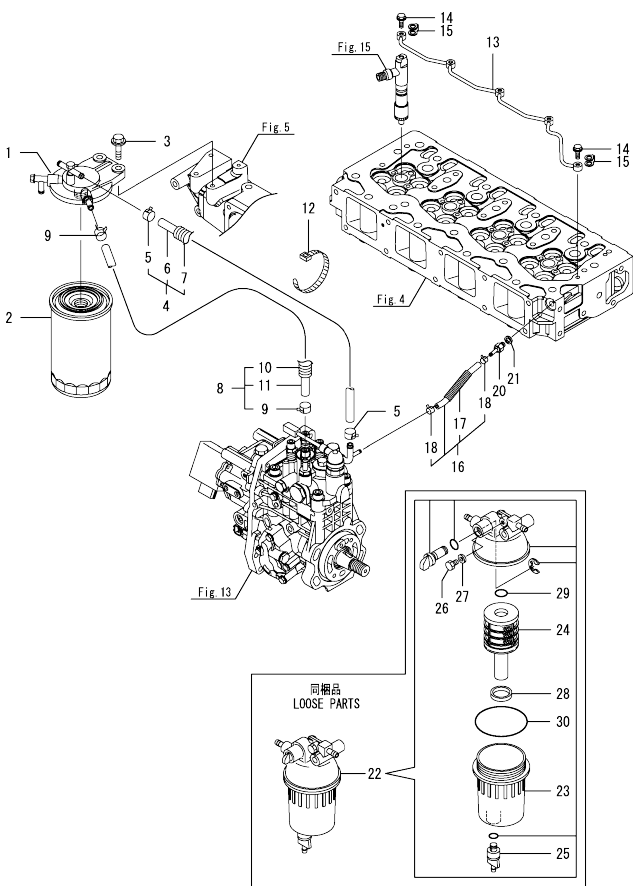


(A)=4TNV98T-ZNLSC
(B)=
(C)=

(D)=
(E)=
(F)=

No.	Lev.	Parts No.	Description	Q'ty						I	R
				(A)	(B)	(C)	(D)	(E)	(F)		
1	1	729928-53100	FUEL INJECTOR ASSY	4							
2	2	129928-53000	NOZZLE ASSY, F.I.	4							
5	2	114250-53080	NUT, NOZZLE	4							
9	2	114250-53120	SPRING, NOZZLE	4							
10	2	114250-53130	SEAT, SPRING	4							
11	2	114250-53140	SPACER	4							
12	2	114250-53210	PIN	8							
13	2	119803-53400	SHIM SET	4							
40	1	123907-11601	SEAL, PIPE	4							
41	1	119305-59120	RETAINER, PIPE	1							
44	2	129150-59131	BOLT, M4X14	1							
45	1	123472-59120	RETAINER, PIPE	2							
46	1	129973-59700	SUPPORT ASSY	1							
48	2	26216-060202	STUD, M6X 20	2							
50	1	129973-59810	PIPE ASSY, INJECTION	1							
51	1	129973-59820	PIPE ASSY, INJECTION	1							
52	1	129973-59830	PIPE ASSY, INJECTION	1							
53	1	129973-59840	PIPE ASSY, INJECTION	1							
54	1	26366-060002	NUT, M6	2							

Fig.16. FUEL PIPE



(A)=4TNV98T-ZNLSC
(B)=
(C)=

(D)=
(E)=
(F)=

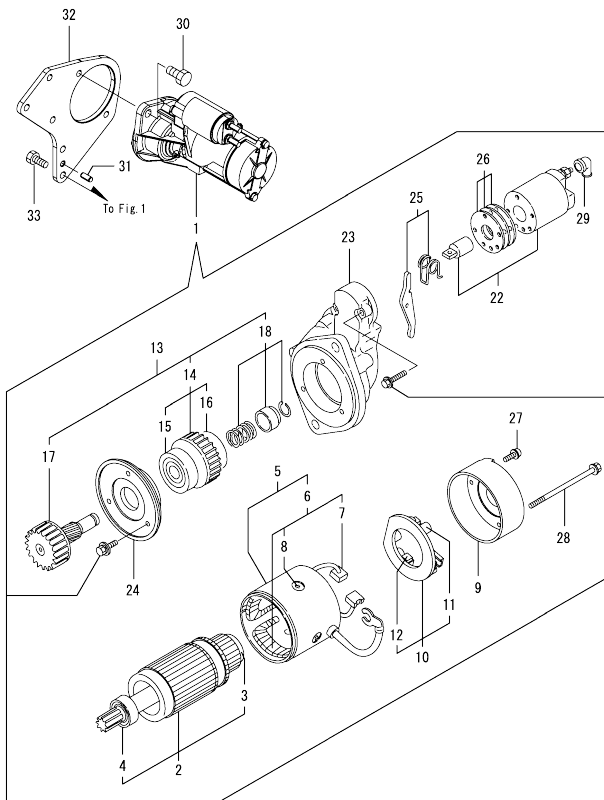
No.	Lev.	Parts No.	Description	Qty						I	R
				(A)	(B)	(C)	(D)	(E)	(F)		
1	1	129004-55612	BRACKET, FILTER	1							
2	1	123907-55801	FILTER, FUEL	1							
3	1	26106-080302	BOLT, M8X 30 PLATED	2							
4	1	129467-59010	HOSE ASSY, FUEL	1							
5	2	124766-59050	CLAMP, HOSE 11.5	2							
6	2	129335-59090	HOSE, FUEL D13X500	1							
7	2	119560-59110	TUBE, CORRUGATED 15	1							
8	1	129950-59211	HOSE ASSY, FUEL	1							
9	2	124766-59050	CLAMP, HOSE 11.5	2							
10	2	129950-59221	TUBE, CORRUGATED 15	1							
11	2	105025-59530	HOSE, FUEL D13X400	1							
12	1	121750-59890	BAND, NYLON	1							
13	1	129907-59140	PIPE ASSY, RETURN	1							
14	1	123907-59540	BOLT, PIPE JOINT M6	5							
15	1	123907-59550	GASKET	5							
16	1	129927-59550	HOSE ASSY RETURN	1							
17	2	129263-49750	TUBE, CORRUGATED	1							
18	2	124722-59050	CLAMP, HOSE 9	2							
20	1	123907-59560	JOINT, HOSE	1							
21	1	22190-080002	WASHER, SEAL 8	1							
22	1	129242-55701	SEPARATOR ASSY,WATER	1							
23	2	129242-55720	CUP, SEPARATOR	1							
24	2	129242-55730	ELEMENT, FUEL	1							
25	2	129242-55740	PLUG, DRAIN	1							
26	2	129242-55750	VALVE, AIR VENT	1							
27	2	129242-55760	GASKET, PLUG	1							
28	2	129242-55770	FLOAT	1							
29	2	24311-000160	O-RING, 1AP16.0	1							
30	2	24321-000750	O-RING, 1AG75.0	1							

N:Old $\frac{100}{100}$ New, Q:Old $\frac{100}{100}$ New, R:Old $\frac{100}{100}$ New, S:Old $\frac{100}{100}$ New, W:Add, Z:Discontinued, F:Interchangeable by set, K:Qty Change
Copyright (C) 2015 YANMAR GLOBAL CS CO., LTD. All Rights Reserved.

Fig.17. STARTER MOTOR

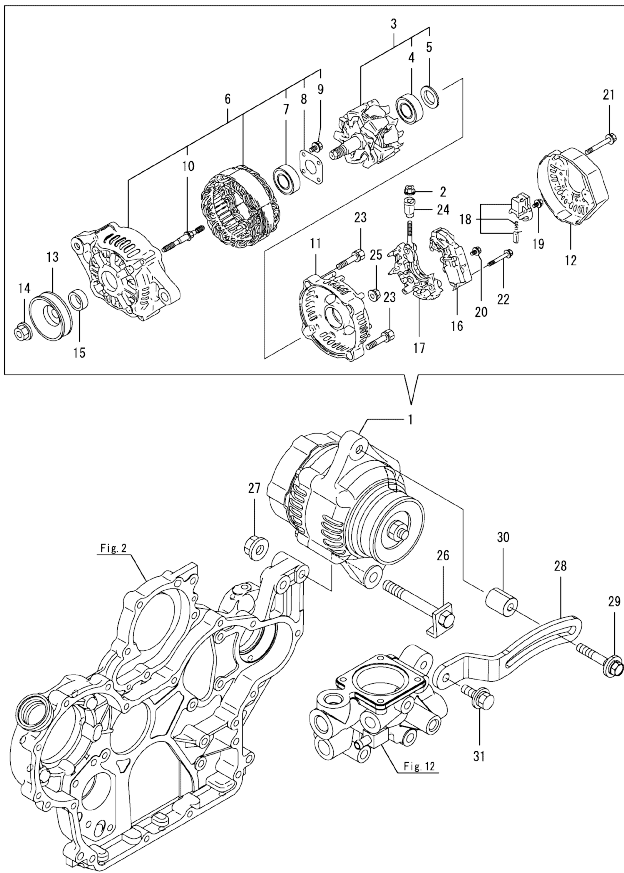
(A)=4TNV98T-ZNLSC
(B)=
(C)=

(D)=
(E)=
(F)=



No.	Lev.	Parts No.	Description	Qty						I	R
				(A)	(B)	(C)	(D)	(E)	(F)		
1	1	129900-77040	STARTER ASSY	1							
2	2	129900-77120	ARMATURE ASSY	1							
3	3	171008-77410	BEARING, BALL	1							
4	3	171008-77420	BEARING, BALL	1							
5	2	129900-77130	YOKE ASSY	1							
6	3	129900-77140	COIL ASSY, FIELD	1							
7	4	129900-77450	BRUSH	2							
8	4	171008-77450	SCREW, CORE SET	4							
9	2	129900-77150	COVER	1							
10	2	129900-77160	HOLDER ASSY, BRUSH	1							
11	3	X2130631300	SPRING, BRUSH	4							
12	3	129900-77450	BRUSH	2							
13	2	129900-77170	CLUTCH ASSY	1							
14	3	129900-77180	CLUTCH ASSY	1							
15	4	129900-77190	BEARING, BALL	1							
16	4	X2114955020	BEARING, BALL	1							
17	3	129900-77270	SHAFT, PINION	1							
18	3	171008-77670	STOPPER SET, PINION	1							
22	2	129900-77280	SWITCH ASSY, MAGNET	1							
23	2	129900-77290	CASE, GEAR	1							
24	2	129900-77380	RETAINER, BEARING	1							
25	2	129900-77390	LEVER ASSY, SHIFT	1							
26	2	129900-77420	COVER KIT, DUST	1							
27	2	129900-77430	SCREW, M4X10	2							
28	2	129685-77640	BOLT, THROUGH	2							
29	2	171008-77750	COVER, TERMINAL	1							
30	1	26116-120202	BOLT, M12X 20 PLATED	2							
31	1	129100-01580	PIN, PARALLEL 8X16	1							
32	1	129960-77410	BRACKET, STARTER	1							
33	1	26206-100202	BOLT, M10X 20 PLATED	5							

Fig.18. GENERATOR



(A)=4TNV98T-ZNLSC
(B)=
(C)=

(D)=
(E)=
(F)=

No.	Lev.	Parts No.	Description	Q'ty						I	R
				(A)	(B)	(C)	(D)	(E)	(F)		
1	1	129052-77220	GENERATOR ASSY, 55A	1							
2	2	X9490561001	NUT	1							
3	2	129052-77380	ROTOR ASSY	1							
4	3	123501-79240	BEARING, BALL	1							
5	3	119620-79250	COVER, BEARING	1							
6	2	129052-77422	FRAME ASSY	1							
7	3	119620-79200	BEARING, BALL	1							
8	3	119620-79210	RETAINER	1							
9	3	119620-79220	SCREW	4							
10	3	119620-79230	BOLT, STUD	2							
11	2	128401-77440	COVER	1							
12	2	128401-77450	COVER, GENERATOR	1							
13	2	119620-77461	PULLEY, GENERATOR	1							
14	2	119620-77471	NUT	1							
15	2	119620-77490	COLLAR	1							
16	2	119620-77710	REGULATOR ASSY	1							
17	2	129052-79260	HOLDER	1							
18	2	129052-79270	HOLDER, BRUSH	1							
19	2	119620-79290	SCREW	6							
20	2	119620-79300	SCREW	1							
21	2	119620-79310	BOLT	3							
22	2	119620-79320	SCREW	2							
23	2	119620-79330	BOLT	2							
24	2	119620-79340	BUSH, INSULATION	1							
25	2	119620-79350	NUT	2							
26	1	119740-77251	BOLT, M10X80	1							
27	1	26306-100002	NUT, M10	1							
28	1	129953-77330	ADJUSTER	1							
29	1	129972-77341	BOLT, ADJUST L=50	1							
30	1	129E20-77340	PIECE, DISTANCE	1							
31	1	26014-080252	BOLT, M8X 25	1							

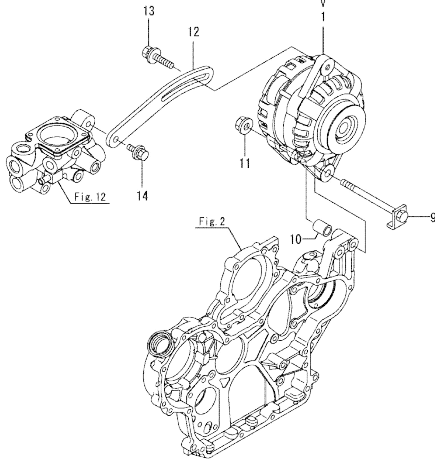
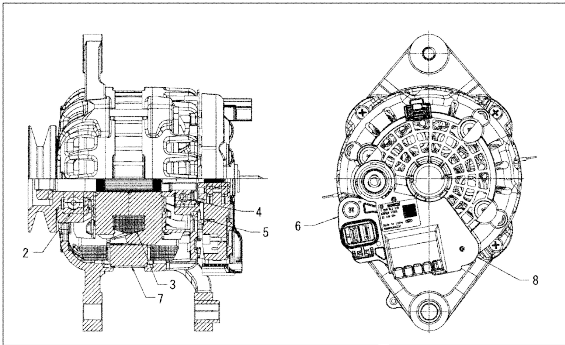
Remarks

* This item is applicable to [(A)=EV3322] or previous machines(Refer to Fig.21).

Fig.21. (18A)GENERATOR

(A)=4TNV98T-ZNLSC
(B)=
(C)=

(D)=
(E)=
(F)=

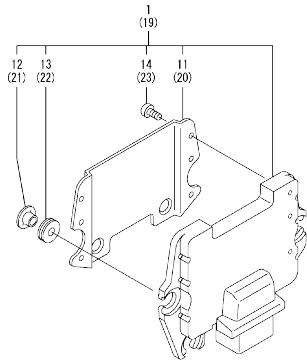


No.	Lev.	Parts No.	Description	Q'ty						I	R
				(A)	(B)	(C)	(D)	(E)	(F)		
1	1	129908-77200	ALTERNATOR, 12V	1							
2	2	129908-77710	BEARING, BALL FR	1							
3	2	129908-77720	ROTOR	1							
4	2	129908-77730	BEARING, BALL RR	1							
5	2	129908-77740	RECTIFIER	1							
6	2	129908-77750	REGULATOR	1							
7	2	129908-77760	STATOR	1							
8	2	129908-77770	PROTECTOR	1							
9	1	129908-77220	BOLT, STOPPER M10	1							
10	1	129908-77360	PIECE, DISTANCE	1							
11	1	26306-100002	NUT, M10	1							
12	1	129953-77320	ADJUSTER, BELT	1							
13	1	119810-77340	BOLT, ADJUSTER L=30	1							
14	1	26014-080252	BOLT, M8X 25	1							

Remarks

* This item is applicable to [(A)=EV3323] or following machines(Refer to Fig.18).

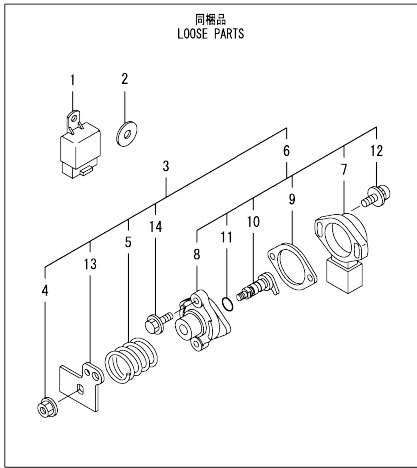
Fig.19. ELECTRONIC CONTROL UNIT(ECU)



No.	Lev.	Parts No.	Description	Q'ty						I	R
				(A)	(B)	(C)	(D)	(E)	(F)		
1	1	129975-75010	ECU ASSY,4V98T-ZNLSC	1							1
11	2	129927-77600	SHIELD, ECU	1							
12	2	129927-77680	COLLAR, CONTROL	3							
13	2	119578-91351	ABSORBER	3							
14	2	22877-500080	SCREW, 5X 8	6							
19	1	129927-75900	ECU ASSY, SERVICE	1							2
20	2	129927-77600	SHIELD, ECU	1							
21	2	129927-77680	COLLAR, CONTROL	3							
22	2	119578-91351	ABSORBER	3							
23	2	22877-500080	SCREW, 5X 8	6							

Remarks
 (1)Eco ECU
 This part cannot be ordered.
 Replace the part using a Service ECU with the proper engine information installed.
 (2)Service ECU
 If the proper information is not installed, the engine will not operate.
 To install proper information, go to an authorized distributor.

Fig.20. ELECTRIC PARTS



(A)=4TNV98T-ZNLSC
(B)=
(C)=

(D)=
(E)=
(F)=

No.	Lev.	Parts No.	Description	Q'ty					
				(A)	(B)	(C)	(D)	(E)	(F)
1	1	172B02-17150	RELAY,CA C TYPE	2					
2	1	129927-77690	WASHER, ECU	3					
3	1	129938-77800	SENSOR ASSY, ACCEL	1					
4	2	194990-22130	NUT, M6	1					
5	2	119060-61990	SPRING, RETURN	1					
6	2	129054-77800	SENSOR ASSY, ACCEL	1					
7	3	185100-50070	BODY	1					
8	3	129054-77811	SUPPORT, SENSOR	1					
9	3	129054-77820	GASKET	1					
10	3	129054-77830	SHAFT ASSY	1					
11	3	24311-000070	O-RING, 1AP7.0	1					
12	3	26023-040202	SCREW, M4X20	2					
13	2	129938-77810	LEVER, SENSOR	1					
14	2	26106-060122	BOLT, M6X 12 PLATED	2					

Parts No. Index

Parts No.	Fig. No.	Ref. No.	Parts No.	Fig. No.	Ref. No.	Parts No.	Fig. No.	Ref. No.	Parts No.	Fig. No.	Ref. No.
105010-39140	11	4	120130-22301	9	23	129008-51920	13	12	129900-01850	2	29
		19	121023-26071	2	21	129008-61301	14	26	129900-01870	2	30
105025-59530	16	11	121252-39150	11	5	129052-77220	18	1	129900-02020	1	6
114250-53080	15	5	121450-42450	12	36	129052-77380	18	3	129900-02341	1	33
114250-53120	15	9	121750-59890	16	12	129052-77422	18	6	129900-02410	1	9
114250-53130	15	10	121850-21130	9	11	129052-79260	18	17	129900-02931	1	24
114250-53140	15	11	121850-21290	9	4	129052-79270	18	18	129900-02941	1	36
114250-53210	15	12	121850-21920	9	5	129054-77800	20	6	129900-13251	6	5
119000-39650	11	36	121850-49540	12	25	129054-77811	20	8	129900-14100	7	6
119005-77051	5	17	121850-49550	12	26	129054-77820	20	9	129900-14140	2	34
119060-61990	20	5	121850-49811	12	27	129054-77830	20	10	129900-21200	9	3
119100-11330	4	56	121850-77021	5	16	129100-01580	2	1	129900-21600	9	14
119129-77020	5	15	123472-59120	15	45		3	13	129900-23001	9	25
119141-44760	12	17	123501-79240	18	4		17	31	129900-23200	9	28
119305-59120	15	41	123900-25060	7	9	129150-02450	7	4	129900-23601	9	29
119560-59110	16	7	123901-03240	4	74	129150-11230	4	37	129900-23611	9	32
119578-91351	19	13	123901-18080	6	32		41	41	129900-23911	9	31
		22	123907-11280	4	34	129150-11750	4	19	129900-25100	7	10
119593-11301	4	29	123907-11550	4	1		38	38	129900-26000	7	16
119620-11180	4	14	123907-11601	15	40		42	42	129900-26250	2	35
119620-77461	18	13	123907-11820	4	21	129150-14200	7	1	129900-32030	2	6
119620-77471	18	14	123907-11830	4	20	129150-25920	7	18		10	15
119620-77490	18	15	123907-39500	11	11	129150-35153	10	24	129900-32040	2	7
119620-77710	18	16	123907-55801	16	2		25	25	129900-42020	12	11
119620-79200	18	7	123907-59540	16	14	129150-49360	12	39	129900-49870	12	32
119620-79210	18	8	123907-59550	16	15	129150-59131	15	44	129900-77040	17	1
119620-79220	18	9	123907-59560	16	20	129198-59540	11	4 -1	129900-77120	17	2
119620-79230	18	10	123910-39850	11	24	129242-55701	16	22	129900-77130	17	5
119620-79250	18	5	123910-49600	10	8	129242-55720	16	23	129900-77140	17	6
119620-79290	18	19	123910-49610	10	10	129242-55730	16	24	129900-77150	17	9
119620-79300	18	20	123912-33050	10	2	129242-55740	16	25	129900-77160	17	10
119620-79310	18	21	123912-33100	10	3	129242-55750	16	26	129900-77170	17	13
119620-79320	18	22	123951-18220	5	11	129242-55760	16	27	129900-77180	17	14
119620-79330	18	23	124070-13300	11	21	129242-55770	16	28	129900-77190	17	15
119620-79340	18	24		12	51	129263-49750	16	17	129900-77270	17	17
119620-79350	18	25	124160-01751	2	15	129263-77941	13	127	129900-77280	17	22
119625-11880	4	25		4	49	129335-59090	16	6	129900-77290	17	23
119740-77251	18	26	124160-11340	4	16	129410-03990	4	69	129900-77380	17	24
119761-39450	11	1	124160-11360	4	60	129418-18320	6	3	129900-77390	17	25
119802-11870	4	24	124223-39900	11	3		4	4	129900-77420	17	26
119802-13791	6	11	124250-49351	12	38	129466-49300	10	7	129900-77430	17	27
119802-51680	13	68	124465-44950	12	37	129467-59010	16	4	129900-77450	17	7
119802-51690	13	69	124722-59050	16	18	129472-18090	8	2		12	12
119803-11340	4	15	124766-59050	16	5	129486-01670	3	17	129906-51580	13	61
119803-53400	15	13		9	9	129509-79700	4	57	129907-01331	1	28
119810-77340	21	13	128401-77440	18	11	129657-51590	13	63	129907-03011	4	51
119852-51630	13	73	128401-77450	18	12	129657-51600	13	64	129907-03061	4	52
119852-51640	13	74	129004-55612	16	1	129685-77640	17	28	129907-03070	4	53
119852-51650	13	76	129005-59830	11	13	129900-01200	1	27	129907-11100	4	11
119934-59910	13	134	129006-44480	10	5	129900-01250	1	4	129907-11110	4	12

Parts No. Index

Parts No.	Fig. No.	Ref. No.
129907-11120	4	13
129907-11250	4	31
129907-11260	4	32
129907-11270	4	33
129907-11341	4	30
129907-11510	4	17
129907-11650	4	35
129907-11660	4	39
129907-11800	4	82
129907-11910	4	26
129907-11920	4	43
129907-11950	4	27
129907-12110	5	1
129907-14400	7	2
129907-21650	9	8
129907-25900	7	15
129907-44740	12	16
129907-51560	13	58
129907-59140	16	13
129908-14581	7	3
129908-18010	8	1
129908-21000	9	1
129908-32060	2	4
129908-33010	10	1
129908-33101	10	4
129908-39410	11	30
129908-39690	11	25
129908-49060	10	6
129908-77200	21	1
129908-77220	21	9
129908-77360	21	10
129908-77710	21	2
129908-77720	21	3
129908-77730	21	4
129908-77740	21	5
129908-77750	21	6
129908-77760	21	7
129908-77770	21	8
129916-01790	3	16
129916-01800	2	28
129916-21610	9	7
129916-49530	12	23
129927-13810	6	13
	19	
129927-13900	6	25
129927-13910	6	26
129927-13920	6	27
129927-22050	9	17
129927-39060	11	9
129927-42001	12	1

Parts No.	Fig. No.	Ref. No.
129927-42002	12	1 -1
129927-42140	2	8
129927-44900	12	20
129927-51250	13	141
129927-51650	13	125
129927-51660	13	126
129927-51670	13	129
129927-59550	16	16
129927-75900	19	19
129927-77600	19	11
	20	
129927-77680	19	12
	21	
129927-77690	20	2
129928-11700	4	2
129928-13410	6	8
	9	
129928-13700	5	6
129928-22080	9	15
129928-51390	13	25
129928-51900	13	11
129928-53000	15	2
129930-35000	10	16
129930-39050	11	18
129930-42450	12	14
129933-01500	2	3
129933-11310	4	55
129938-77800	20	3
129938-77810	20	13
129948-03080	4	67
129948-11300	4	50
129949-49850	12	19
129950-59211	16	8
129950-59221	16	10
129951-01740	2	17
129953-25300	7	14
129953-77320	21	12
129953-77330	18	28
129960-03990	12	56
129960-21590	9	12
129960-21930	9	9
129960-21940	9	10
129960-77410	17	32
129966-01650	3	14
129966-39910	3	7
129966-39920	3	8
129968-49610	12	40
129968-49620	12	44
129968-49850	12	48
129972-03220	4	72

Parts No.	Fig. No.	Ref. No.
129972-03230	4	73
129972-03240	4	71
129972-03280	4	76
129972-03310	4	77
129972-77341	18	29
129973-07901	4	63
129973-07910	4	64
129973-12102	5	3
129973-12110	5	4
129973-12161	5	2
129973-12200	5	5
129973-12850	5	14
129973-13110	6	2
129973-13160	6	1
129973-13400	6	7
129973-13801	6	12
129973-13811	6	14
129973-13820	6	20
129973-13840	6	21
129973-13961	6	28
129973-18250	5	12
129973-39070	11	2
129973-39670	11	22
129973-49110	12	52
129973-49400	12	21
129973-49640	12	53
129973-49680	12	54
129973-49740	12	55
129973-49780	12	58
129973-59700	15	46
129973-59810	15	50
129973-59820	15	51
129973-59830	15	52
129973-59840	15	53
129974-01721	3	1
129974-34800	10	13
129974-39820	11	26
129975-75010	19	1
129E00-13610	6	10
129E00-13640	6	6
129E20-77340	18	30
144626-51090	13	13
158552-51571	13	59
158552-51580	13	62
158552-51670	13	130
158552-51781	13	101
158552-52100	13	132
158552-52311	13	110
158552-52400	13	111
158552-52500	13	133

Parts No.	Fig. No.	Ref. No.
158553-51670	13	67
158553-51680	13	79
158553-51930	13	104
	14	2
158553-61780	14	27
158557-51570	13	60
158557-61720	14	16
158563-51150	7	19
158563-51281	13	23
	5	24
158563-51330	13	35
158600-51270	13	22
158601-51550	13	57
158601-51650	13	128
158601-51770	13	100
158601-51790	13	102
171008-77410	17	3
171008-77420	17	4
171008-77450	17	8
171008-77670	17	18
171008-77750	17	29
171031-11741	2	24
171051-01921	1	5
171056-49120	10	23
172B02-17150	20	1
185100-50070	20	7
194990-22130	20	4
22190-080002	11	6
		14
		16
		20
		21
22190-120002	12	29
	13	105
		112
		135
		14
22190-180002	13	106
22217-050000	13	136
22217-180000	13	113
22252-000300	9	24
22312-050140	13	114
22351-030010	11	37
22351-050010	13	115
22351-060012	1	10
22512-070140	7	7
	9	6
22857-500100	4	58
22877-500080	19	14
		23

Parts No. Index

Parts No.	Fig. No.	Ref. No.
23000-022000	4	78
	12	50
23000-025000	10	11
	11	27
23000-054000	5	13
23001-022000	3	10
		11
23065-160250	4	79
23080-012000	12	43
		47
23414-080000	12	33
23414-100000	11	7
23857-030000	11	15
23875-030000	12	30
23876-020000	4	8
23876-030000	1	11
		12
		13
		29
	4	9
	6	15
24311-000070	2	9
	13	116
	20	11
24311-000120	4	28
		61
24311-000160	16	29
24311-000320	2	16
		25
	4	62
24321-000600	10	12
24321-000750	16	30
24321-000850	2	22
24341-000480	14	22
24351-030750	2	10
24356-190200	13	70
		117
24356-240210	13	118
24372-000150	13	71
25132-004300	12	15
25132-004400	12	15 -1
26014-080252	18	31
	21	14
26023-040202	20	12
26106-060102	13	119
26106-060122	4	59
	13	137
	20	14
26106-060142	5	7
26106-060162	6	29

Parts No.	Fig. No.	Ref. No.
26106-060162	11	28
	14	23
26106-060182	5	8
26106-060202	12	31
26106-060252	14	29
26106-060302	12	12
26106-060352	13	120
26106-080122	3	12
	10	21
		22
	11	8
		17
		29
	12	34
26106-080142	4	81
	7	8
	12	49
26106-080162	2	11
		31
	6	22
		23
	12	59
26106-080202	2	12
		18
	4	65
		66
	13	142
26106-080222	6	16
26106-080252	14	24
26106-080302	13	143
	16	3
26106-080402	2	32
	4	45
	5	18
26106-080452	2	13
		19
26106-080552	5	9
	7	13
	12	13
		18
26106-080602	4	46
		47
	12	35
26106-080652	6	17
26106-080702	2	33
	5	19
26106-080752	2	20
26106-080852	5	10
26106-100202	2	23
26106-100302	6	24

Parts No.	Fig. No.	Ref. No.
26106-100402	6	30
26106-101052	6	31
26116-050102	4	75
26116-120202	17	30
26206-100202	17	33
26216-060202	15	48
26216-100302	2	5
26226-080222	4	44
26306-080002	4	48
	6	18
	8	3
26306-100002	2	14
	18	27
	21	11
26366-060002	15	54
26450-100452	13	121
26716-050002	13	138
26776-180002	13	122
27241-160000	13	139
27241-300000	1	14
27241-400000	4	10
27310-070001	4	22
729900-02801	1	30
729907-01559	2	26
729927-22950	9	36
729928-01560	1	1
729928-22900	9	34
729928-53100	15	1
729974-51410	13	1
X2114955020	17	16
X2130631300	17	11
X9490561001	18	2

Parts No.	Fig. No.	Ref. No.
-----------	----------	----------