

0CW10-M41500EN

P R E F A C E

1. This Parts Catalog carries all parts incorporated in YANMAR Model 4TNV98T-ZSBK engine manufactured since June, 2008.
2. Each illustration corresponds to the parts list on the following page.
3. When ordering parts, clearly write down the engine model and serial number, as well as the name and number of each part in your order sheet. This will help insure reliable delivery of the parts you have ordered.

Directions for the Parts Catalog.

1. The parts stipulated in this Parts Catalog are not necessarily standard equipped parts.
2. Parts may change without prior notice.
3. The following is an example of the Parts Catalog format.

REF.	LEV.	PARTS NO.	DESCRIPTION	Q'TY						I	R
				(A)	(B)	(C)	(D)	(E)	(F)		
1	1	729595-51390	FUEL INJECTION PUMP	1	1	1	1	1			1
1-1	1	729595-51391	FUEL INJECTION PUMP	1	1	1	1	1		N	1
		(A=E00185) (B=E00200)									
3	2	26022-060162	SCREW M 6X 16	9	9	9	9	9			
3-1	2	26022-060162	SCREW M 6X 16	4	4	4	4	4		K	
		(A=E00156) (B=E00156) (C=E00156) (D=E00156) (E=E00156)									
4	2	129470-51040	CAMSHAFT	1	1	1	1	1			
5	2	122710-51050	BEARING, ROLLER	2	2	2	2	2			
6	2	129470-51060	RETAINER	1	1	1	1	1			

Remarks
(1) BOOST COMPEMSATOR TYPE. OPTIONAL PART, TO E00155,(4JH-DT, 4JH-DTZ

① Ref. No.

The Ref. No. listed may not be in accordance with the illustration Ref. No.

(Ex.) Illustration No. List Ref No.

1 1 (Before change) → 1-1 (After change)

For interchangeable symbols N, R and K, illustrations for new parts may be abbreviated.

② Lev. (Level)

Level indication

The numbers below indicate the level of relativity towards the main part.

1 ---- Main parts (Assembly parts)

2 ---- Sub component included in " 1 ".

3 ---- Sub component included in " 2 ".

Note) Parts that are not for sale are partially illustrated but not listed.

③ Interchangeability Mark

When a part change takes place, one of the following interchangeability symbols is indicated beside the part.

Symbol	Interchangeability	Contents note
N	Old $\begin{matrix} \leftarrow \text{Yes} \\ \text{No} \rightarrow \end{matrix}$ New	New Part is interchangeable for Old Part but Old Part is not interchangeable for New Part.
Q	Old $\begin{matrix} \leftarrow \text{No} \\ \text{Yes} \rightarrow \end{matrix}$ New	New Part is not interchangeable for Old Part but Old Part is interchangeable for New Part.
R	Old $\begin{matrix} \leftarrow \text{Yes} \\ \text{Yes} \rightarrow \end{matrix}$ New	New/ Old Parts are both interchangeable.
S	Old $\begin{matrix} \leftarrow \text{No} \\ \text{No} \rightarrow \end{matrix}$ New	New/ Old Parts are both not interchangeable.
W		Part newly added.
Z		Part discontinued.
F		Not interchangeable by a single part but interchangeable together with related parts.
K		Changes only for used parts quantities.

④ Effective Machine No.

When a part changes, the effective Machine No. will be indicated in the (A)-(F) column.

Product Symbol	Product No.	Product Symbol	Product No.
C	Clutch No. Compressor No.	F	Machine No. (Agricultural Equip.)
D	Drive No.	M	Machine No.
E	Engine No.		

Note 1) A date may follow the symbol. (Ex.) 1996.01

Note 2) "XXXXX" and "ZZZZZ" are for parts that could not be predicted or for engine models that could not be identified.

Note 3) (A=E00185) is the E (Engine Serial Number) for the column (A) model (in this case 4JH-DT) after the parts design change.

⑤ Remarks Mark

Figures or alphabets (symbols) are entered in the remarks column.

The comments (remarks) on parts that are indicated at the bottom of the illustration are the same symbols as those stated above.

Contents

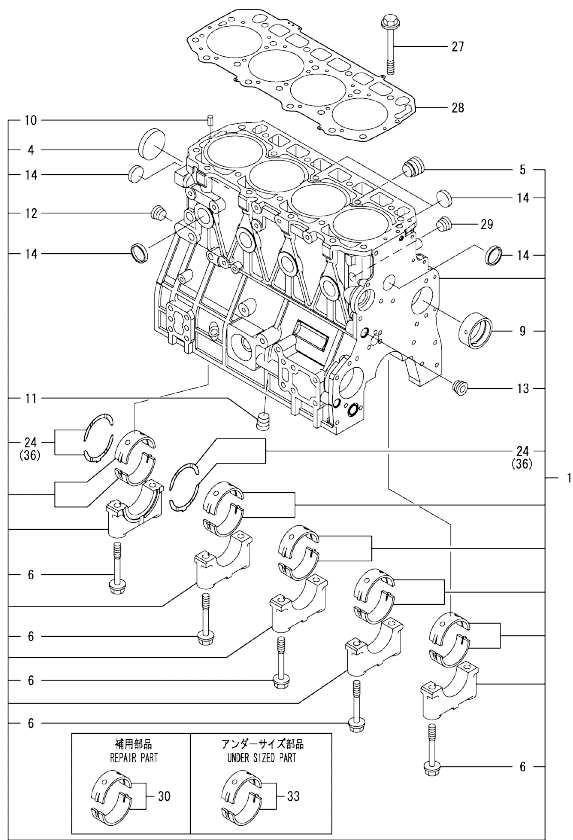
0CW10-M41500

Fig. No.	Fig. Name	Fig. No.	Fig. Name
4	TNV98T-ZSBK		
1.	CYLINDER BLOCK		
2.	GEAR HOUSING		
3.	FLYWHEEL HOUSING & OIL SUMP		
4.	CYLINDER HEAD & BONNET		
5.	SUCTION MANIFOLD		
6.	EXHAUST MANIFOLD		
7.	CAMSHAFT & DRIVING GEAR		
8.	TURBINE		
9.	CRANKSHAFT & PISTON		
10.	LUB.OIL SYSTEM		
11.	LUB.OIL LINE		
12.	COOLING WATER SYSTEM		
13.	FUEL INJECTION PUMP		
14.	GOVERNOR		
15.	FUEL INJECTION VALVE		
16.	FUEL LINE		
17.	STARTING MOTOR		
18.	GENERATOR		
19.	ELECTRONIC CONTROL UNIT (ECU)		
20.	GASKET SET		

Fig.1. CYLINDER BLOCK

(A)=4TNV98T-ZSBK
(B)=
(C)=

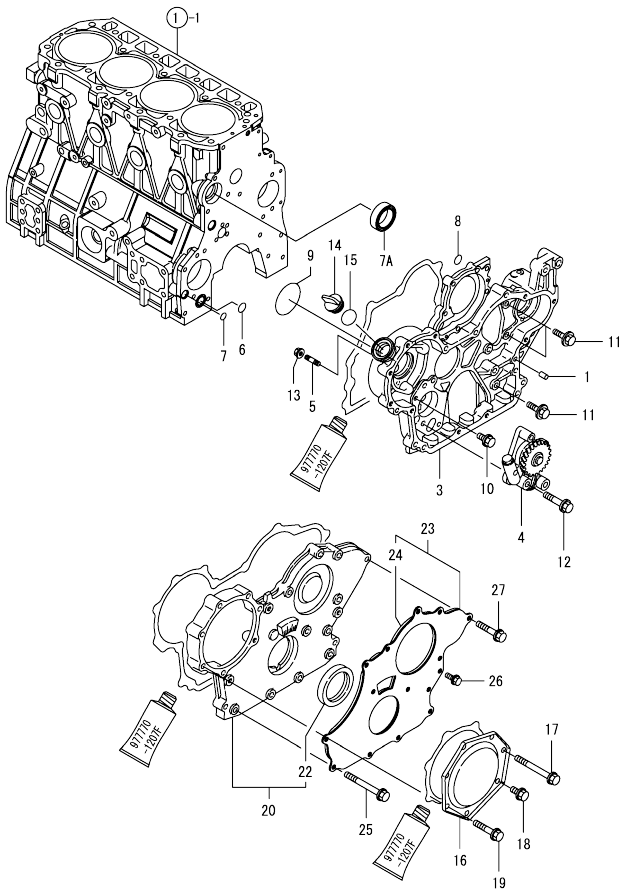
(D)=
(E)=
(F)=



No.	Lev.	Parts No.	Description	Q'ty						I	R
				(A)	(B)	(C)	(D)	(E)	(F)		
1	1	729928-01560	BLOCK ASSY, CYLINDER	1							
4	2	129900-01250	PLUG, DISH TYPE 55	1							
5	2	171051-01921	PLUG, NPTF1	1							
6	2	129900-02020	BOLT, METAL CAP	10							
9	2	129900-02410	BUSH, CAMSHAFT	1							
10	2	22351-060012	PIN, SPRING 6.0X12	2							
11	2	23876-030000	PLUG, R03	1							
12	2	23876-030000	PLUG, R03	1							
13	2	23876-030000	PLUG, R03	1							
14	2	27241-300000	PLUG 30	8							
24	2	129900-02931	BEARING ASSY, THRUST	2							
27	1	129900-01200	BOLT, CYLINDER HEAD	18							
28	1	129907-01331	GASKET, HEAD	1							
29	1	23876-030000	PLUG, R03	1							
30	1	729900-02801	BEARING, MAIN	5							1
33	1	129900-02341	BEARING ASSY, MAIN	5							2
36	1	129900-02941	BEARING, THRUST 0.25	2							3

Remarks
(1) REPAIR PART.
(2) UNDER-SIZED(U.S=0.25)PART.
(3) OVER-SIZED(O.S=0.25)PART.

Fig.2. GEAR HOUSING



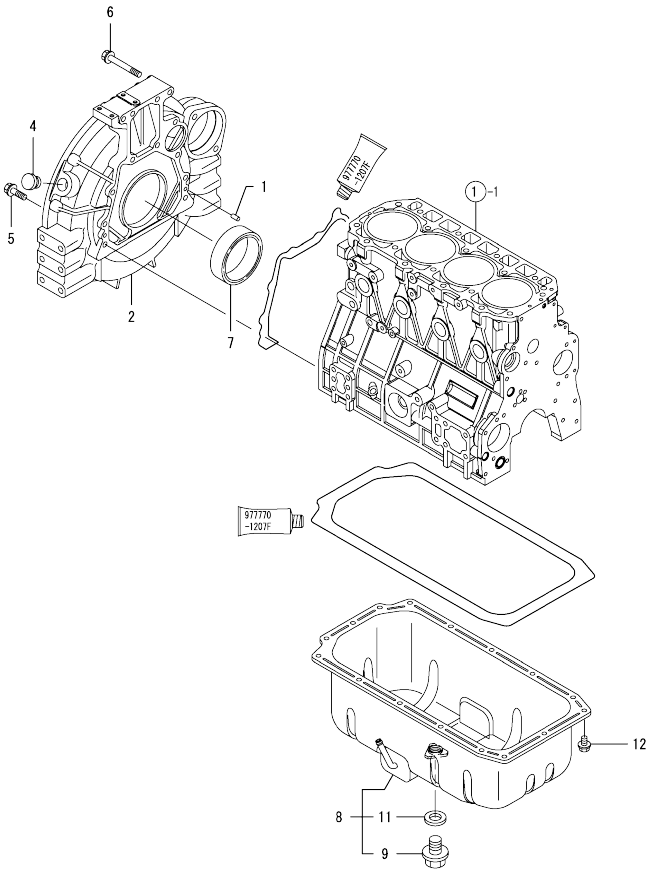
(A)=4TNV98T-ZSBK
(B)=
(C)=

(D)=
(E)=
(F)=

No.	Lev.	Parts No.	Description	Qty						I	R
				(A)	(B)	(C)	(D)	(E)	(F)		
1	1	129100-01580	PIN, PARALLEL 8X16	4							
3	1	129935-01500	CASE, GEAR	1							
4	1	129908-32060	PUMP ASSY, OIL	1							
5	1	26216-100302	STUD, M10X 30	4							
6	1	129900-32030	O-RING, P20	1							
7	1	129900-32040	O-RING, P14	1							
7A	1	129927-42140	GASKET, PUMP OUTLET	1							W
(A=ET264)											
8	1	24311-000070	O-RING, 1AP7.0	1							
9	1	24351-030750	O-RING, 1A3075	1							
10	1	26106-080162	BOLT, M8X 16 PLATED	1							
11	1	26106-080202	BOLT, M8X 20 PLATED	3							
12	1	26106-080452	BOLT, M8X 45 PLATED	3							
13	1	26306-100002	NUT, M10	4							
14	1	124160-01751	CAP, FILLER	1							
15	1	24311-000320	O-RING, 1AP32.0	1							
16	1	129900-01740	COVER	1							
17	1	129001-91810	BOLT, M8X70	1							
18	1	26106-080162	BOLT, M8X 16 PLATED	1							
19	1	26106-080402	BOLT, M8X 40 PLATED	5							
20	1	729907-01559	COVER ASSY,GEAR CASE	1							
22	2	129916-01800	SEAL, OIL	1							
23	1	129900-01850	COVER ASSY,GEAR CASE	1							
24	2	129900-01870	SPONGE, GEAR CASE	1							
25	1	129001-91810	BOLT, M8X70	6							
26	1	26106-080162	BOLT, M8X 16 PLATED	3							
27	1	26106-080402	BOLT, M8X 40 PLATED	5							

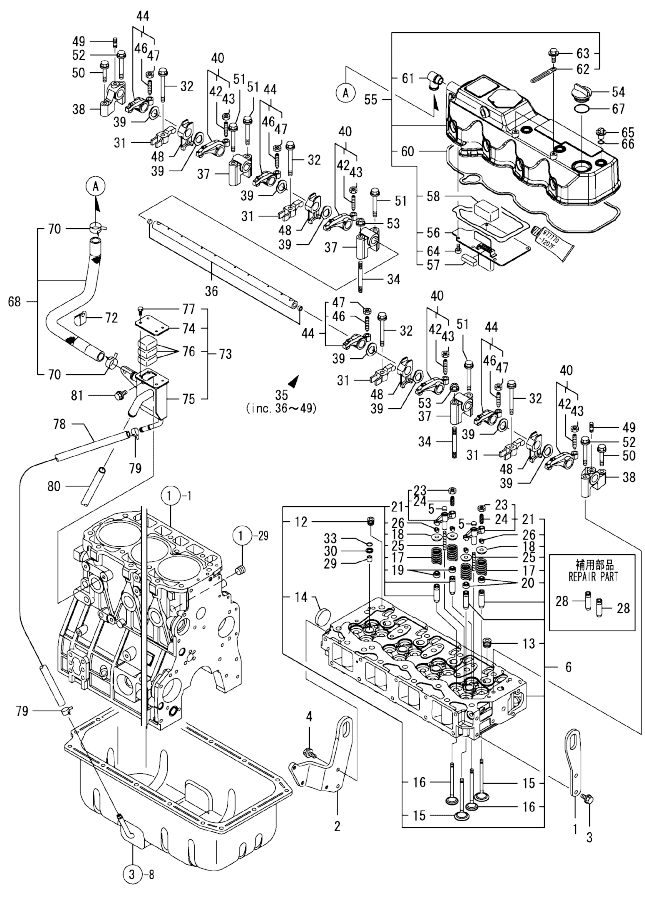
N:Old $\frac{100}{100}$ New, Q:Old $\frac{100}{100}$ New, R:Old $\frac{100}{100}$ New, S:Old $\frac{100}{100}$ New, W:Add, Z:Discontinued, F:Interchangeable by set, K:Qty Change
Copyright (C) YANMAR GLOBAL CS CO., LTD. All Rights Reserved.

Fig.3. FLYWHEEL HOUSING & OIL SUMP



No.	Lev.	Parts No.	Description	Q'ty						
				(A)	(B)	(C)	(D)	(E)	(F)	
1	1	129100-01580	PIN, PARALLEL 8X16	2						
2	1	129900-01620	HOUSING, FLYWHEEL	1						
4	1	119620-01750	CAP	1						
5	1	26206-100352	BOLT, M10X 35 PLATED	9						
6	1	26206-100702	BOLT, M10X 70 PLATED	4						
7	1	129916-01790	SEAL, D115/95XT11	1						
8	1	129948-01740	OIL PAN ASSY	1						
9	2	119640-01640	PLUG, DRAIN M22	1						
11	2	22190-220002	WASHER, SEAL 22	1						
12	1	26106-080122	BOLT, M8X 12 PLATED	16						

Fig.4. CYLINDER HEAD & BONNET



(A)=4TNV98T-ZSBK
(B)=
(C)=

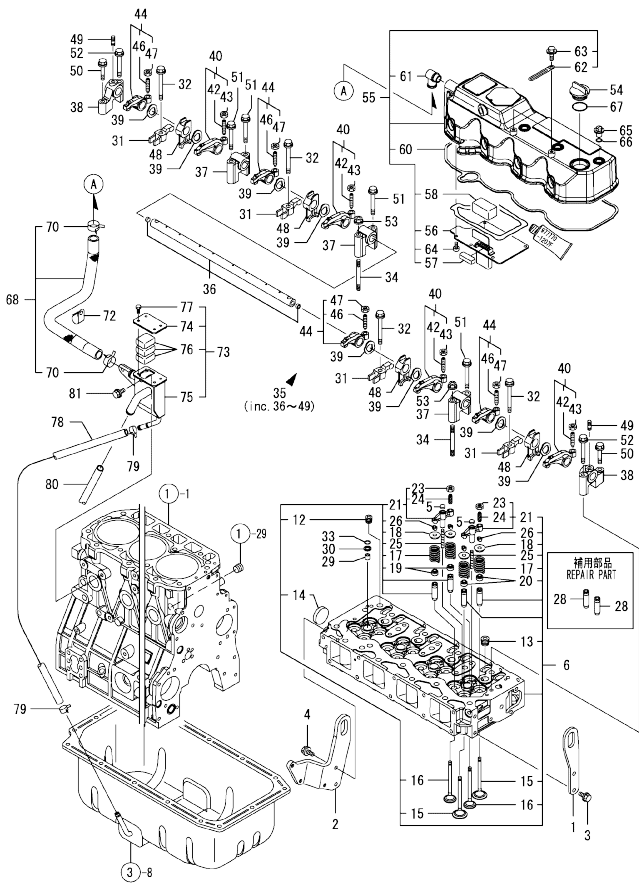
(D)=
(E)=
(F)=

No.	Lev.	Parts No.	Description	Q'ty						I	R
				(A)	(B)	(C)	(D)	(E)	(F)		
1	1	129907-07900	LIFTER, ENGINE	1							
2	1	129948-07900	LIFTER, ENGINE	1							
3	1	26106-080162	BOLT, M8X 16 PLATED	2							
4	1	26106-080202	BOLT, M8X 20 PLATED	2							
5	1	123907-11550	SEAT, VALVE BRIDGE	8							
6	1	129928-11700	HEAD ASSY, CYLINDER	1							
12	2	23876-020000	PLUG, R02	1							
13	2	23876-030000	PLUG, R03	4							
14	2	27241-400000	PLUG, 40	1							
15	2	129907-11100	VALVE, SUCTION	8							
16	2	129907-11110	VALVE, EXHAUST	8							
17	2	129907-11120	SPRING, VALVE	16							
18	2	119620-11180	RETAINER, SPRING	16							
19	2	119803-11340	SEAL, VALVE STEM	8							
20	2	124160-11340	SEAL, VALVE STEM	8							
21	2	129907-11510	BRIDGE ASSY, VALVE	8							
23	3	129150-11750	NUT, M8	8							
24	3	123907-11830	ADJUSTER	8							
25	2	123907-11820	GUIDE, BRIDGE	8							
26	2	27310-070001	COTTER, 7	16							
28	1	129907-11800	GUIDE, VALVE	16							1
29	1	119802-11870	PROTECTOR, NOZZLE	4							
30	1	119625-11880	SEAT, NOZZLE	4							
31	1	129907-11910	RETAINER, NOZZLE	4							
32	1	129907-11950	BOLT, M8X75	4							
33	1	24311-000120	O-RING, 1AP12.0	4							
34	1	119593-11301	BOLT, STUD M8X80	2							
35	1	129907-11341	SHAFT ASSY, ROCKER	1							
36	2	129907-11250	SHAFT, ROCKER ARM	1							
37	2	129907-11260	SUPPORT, ROCKER ARM	3							
38	2	129907-11270	SUPPORT, ROCKER ARM	2							
39	2	123907-11280	WASHER	8							
40	2	129907-11650	ARM ASSY, ROCKER	4							
42	3	129150-11230	SCREW, VALVE ADJUST	4							
43	3	129150-11750	NUT, M8	4							
44	2	129907-11660	ARM ASSY, ROCKER	4							
46	3	129150-11230	SCREW, VALVE ADJUST	4							
47	3	129150-11750	NUT, M8	4							
48	2	129907-11920	RETAINER, NOZZLE	4							
49	2	26226-080222	STUD, M8X 22	2							
50	1	26106-080402	BOLT, M8X 40 PLATED	2							
51	1	26106-080602	BOLT, M8X 60 PLATED	4							
52	1	26106-080602	BOLT, M8X 60 PLATED	2							
53	1	26306-080002	NUT, M8	2							
54	1	124160-01751	CAP, FILLER	1							
55	1	129948-11300	BONNET ASSY, HEAD	1							
56	2	129907-03011	PLATE, BAFFLE	1							
57	2	129907-03061	BAFFLE, BREATHER	1							
58	2	129907-03070	BAFFLE, BREATHER	1							
60	2	129933-11310	GASKET, BONNET	1							
61	2	119100-11330	ELBOW, BREATHER	1							

Remarks
(1) REPAIR PART.

N:Old $\frac{New}{Old}$ New, Q:Old $\frac{New}{Old}$ New, R:Old $\frac{New}{Old}$ New, S:Old $\frac{New}{Old}$ New, W:Add, Z:Discontinued, F:Interchangeable by set, K:Q'ty Change
 ++ CONTINUE ++
 Copyright (C) YANMAR GLOBAL CS CO., LTD. All Rights Reserved.

Fig.4. CYLINDER HEAD & BONNET



(A)=4TNV98T-ZSBK
(B)=
(C)=

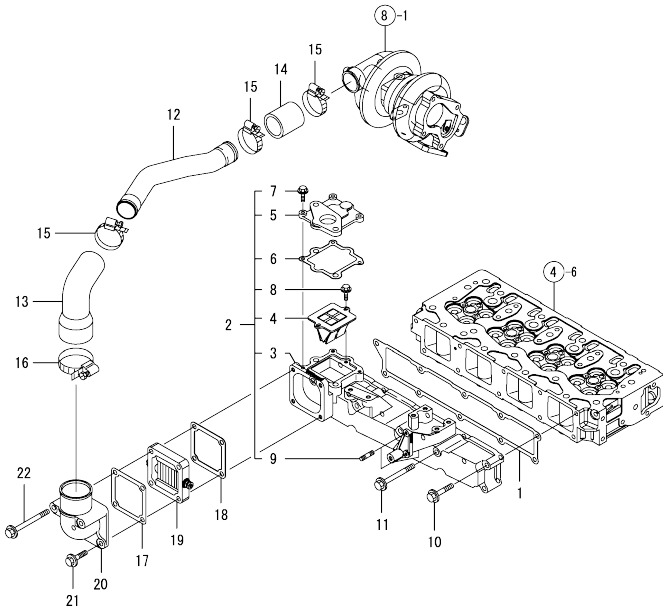
(D)=
(E)=
(F)=

No.	Lev.	Parts No.	Description	Q'ty						I	R	
				(A)	(B)	(C)	(D)	(E)	(F)			
62	2	129509-79700	CLAMP, 140-M6									
63	2	26106-060122	BOLT, M6X 12 PLATED									
64	2	22857-500100	SCREW, 5X10									
65	1	124160-11360	KNOB									
66	1	24311-000120	O-RING, 1AP12.0									
67	1	24311-000320	O-RING, 1AP32.0									
68	1	129948-03080	HOSE ASSY, BREATHER									
70	2	129410-03990	CLAMP, HOSE 21.5									
72	1	129150-03100	RETAINER, PIPE									
73	1	129972-03240	SEPARATOR ASSY, MIST									
74	2	129972-03220	COVER, SEPARATOR									
75	2	129972-03230	SEPARATOR, MIST									
76	2	123901-03240	FILTER									
77	2	26116-050102	BOLT, M5X 10 PLATED									
78	1	123912-03250	HOSE									
79	1	23000-022000	CLAMP, 22									
80	1	23065-160250	PIPE, 16X 250									
81	1	26106-080142	BOLT, M8X 14 PLATED									

Remarks
(1) REPAIR PART.

N:Old $\frac{100}{100}$ New, Q:Old $\frac{100}{100}$ New, R:Old $\frac{100}{100}$ New, S:Old $\frac{100}{100}$ New, W:Add, Z:Discontinued, F:Interchangeable by set, K:Qty Change
Copyright (C) YANMAR GLOBAL CS CO., LTD. All Rights Reserved.

Fig.5. SUCTION MANIFOLD

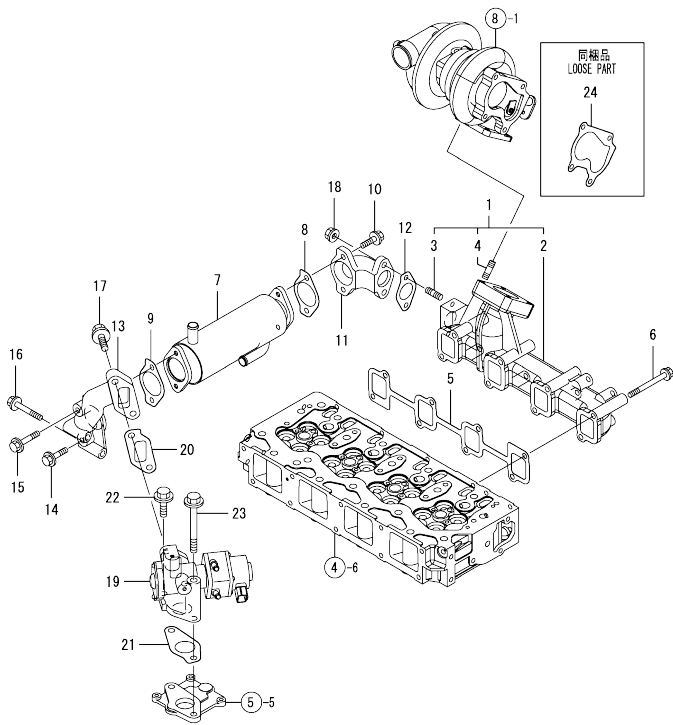


(A)=4TNV98T-ZSBK
(B)=
(C)=

(D)=
(E)=
(F)=

No.	Lev.	Parts No.	Description	Q'ty						I	R	
				(A)	(B)	(C)	(D)	(E)	(F)			
1	1	129907-12110	GASKET, MANIFOLD	1								
2	1	129928-12150	MANIFOLD ASSY,INTAKE	1								
3	2	129928-12100	MANIFOLD, INTAKE	1								
4	2	129928-13700	VALVE, REED	1								
5	2	129928-13710	SPACER, EGR VALVE	1								
6	2	129928-13720	GASKET, EGR-V SPACER	1								
7	2	26106-060202	BOLT, M6X 20 PLATED	3								
8	2	26106-060202	BOLT, M6X 20 PLATED	2								
9	2	26216-060202	STUD, M6X 20	2								
10	1	26106-080452	BOLT, M8X 45 PLATED	6								
11	1	26106-080802	BOLT, M8X 80 PLATED	4								
12	1	129928-18200	DUCT, AIR	1								
13	1	129974-18210	JOINT, RUBBER	1								
14	1	123951-18220	JOINT, RUBBER B	1								
15	1	23000-054000	CLAMP, 54	3								
16	1	23000-080000	CLAMP, 80	1								
16-1	1	23000-070000	CLAMP, 70	1								N
17	1	119129-77020	GASKET, AIR HEATER	1								
18	1	121850-77021	GASKET, AIR HEATER	1								
19	1	119005-77051	HEATER, AIR	1								
20	1	119129-77520	BEND, INLET	1								
21	1	26106-080402	BOLT, M8X 40 PLATED	2								
22	1	26106-080902	BOLT, M8X 90 PLATED	2								

Fig.6. EXHAUST MANIFOLD

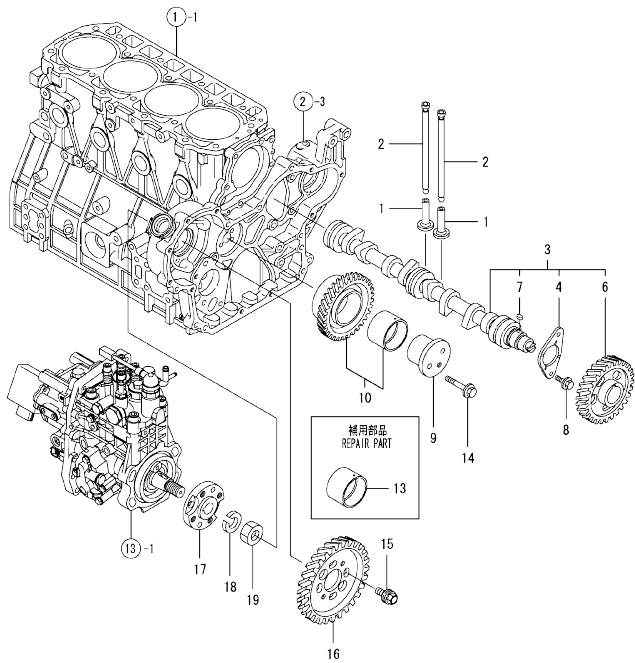


(A)=4TNV98T-ZSBK
(B)=
(C)=

(D)=
(E)=
(F)=

No.	Lev.	Parts No.	Description	Q'ty						I	R
				(A)	(B)	(C)	(D)	(E)	(F)		
1	1	129928-13150	MANIFOLD ASSY, EXH.	1							
2	2	129928-13100	MANIFOLD, EXHAUST	1							
3	2	129418-18320	BOLT, STUD M8X20	2							
4	2	129418-18320	BOLT, STUD M8X20	4							
5	1	129900-13251	GASKET, EXH.MANIFOLD	1							
6	1	123900-13630	BOLT, M8X80	8							
7	1	129928-13400	COOLER ASSY, EGR	1							
8	1	129928-13410	GASKET	1							
9	1	129928-13410	GASKET	1							
10	1	119802-13790	BOLT, M8X25 10.9T	2							
11	1	129948-13800	PIPE, EGR IN	1							
12	1	129927-13810	GASKET	1							
13	1	129948-13810	PIPE, EGR IN	1							
14	1	26106-080352	BOLT, M8X 35 PLATED	1							
15	1	26106-080452	BOLT, M8X 45 PLATED	1							
16	1	26106-080552	BOLT, M8X 55 PLATED	2							
17	1	26106-100252	BOLT, M10X 25 PLATED	2							
18	1	26306-080002	NUT, M8	2							
19	1	129927-13900	VALVE, EGR	1							
20	1	129927-13910	GASKET, EGR	1							
21	1	129927-13920	GASKET, EGR	1							
22	1	26106-100402	BOLT, M10X 40 PLATED	1							
23	1	26106-101052	BOLT, M10X105 PLATED	1							
24	1	123901-18080	GASKET	1							

Fig.7. CAMSHAFT & DRIVING GEAR



(A)=4TNV98T-ZSBK
(B)=
(C)=

(D)=
(E)=
(F)=

No.	Lev.	Parts No.	Description	Q'ty						I	R
				(A)	(B)	(C)	(D)	(E)	(F)		
1	1	129150-14200	TAPPET	8							
2	1	129907-14400	PUSH-ROD	8							
3	1	129908-14581	CAMSHAFT ASSY	1							
4	2	129150-02450	BEARING, THRUST	1							
6	2	129900-14100	GEAR, CAMSHAFT	1							
7	2	22512-070140	KEY, 7X 14	1							
8	1	26106-080162	BOLT, M8X 16 PLATED	2							
9	1	123900-25060	SHAFT, IDLE GEAR	1							
10	1	129900-25100	GEAR ASSY, IDLE	1							
13	1	129150-25920	BUSH, IDLE GEAR	1							1
14	1	26106-080552	BOLT, M8X 55 PLATED	3							
15	1	129953-25300	BOLT	4							
16	1	129907-25900	GEAR, PUMP	1							
17	1	158563-51150	FLANGE	1							
18	1	22217-180000	WASHER, SPRING 18	1							
19	1	26776-180002	NUT, LOCK M18	1							

Remarks
(1) REPAIR PART.

Fig.8. TURBINE

(A)=4TNV98T-ZSBK
(B)=
(C)=

(D)=
(E)=
(F)=

No.	Lev.	Parts No.	Description	Q'ty					
				(A)	(B)	(C)	(D)	(E)	(F)
1	1	129928-18010	TURBOCHARGER, RHF5	1					
2	1	129472-18090	GASKET	1					
3	1	119131-18320	BOLT, STUD M8X22	4					
4	1	26306-080002	NUT, M8	4					

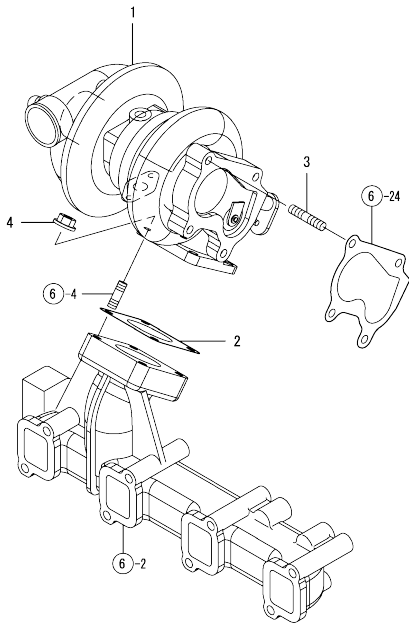
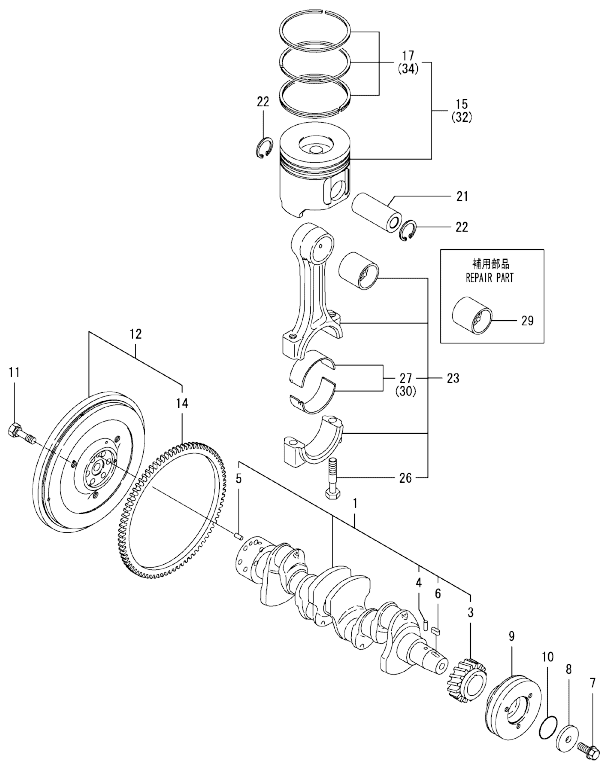


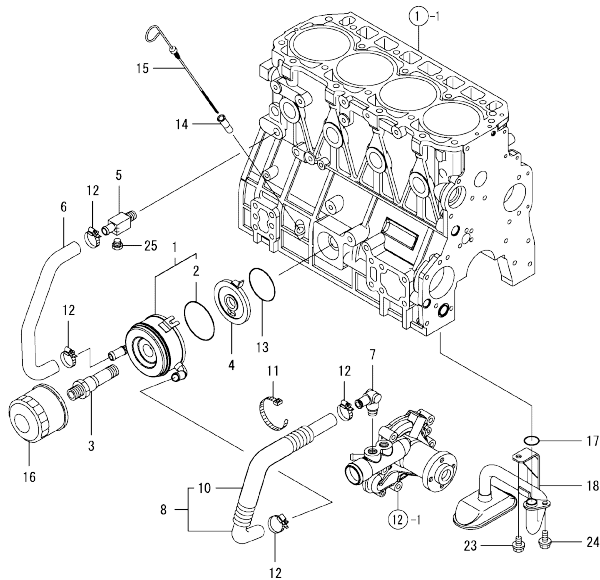
Fig.9. CRANKSHAFT & PISTON



No.	Lev.	Parts No.	Description	Q'ty						I	R
				(A)	(B)	(C)	(D)	(E)	(F)		
1	1	129908-21000	CRANKSHAFT ASSY	1							
3	2	129900-21200	GEAR, CRANKSHAFT	1							
4	2	121850-21290	PIN	1							
5	2	121850-21920	PIN, PARALLEL 10X22	1							
6	2	22512-070140	KEY, 7X 14	1							
7	1	129916-21610	BOLT	1							
8	1	129960-21640	WASHER	1							
9	1	129907-21650	V-PULLEY, CRANK 130	1							
10	1	24341-000530	O-RING, 1AS53.0	1							
11	1	121850-21130	BOLT, FLYWHEEL	6							
12	1	129953-21560	FLYWHEEL ASSY	1							
14	2	129900-21600	GEAR, RING	1							
15	1	129928-22080	PISTON ASSY	4							
17	2	129927-22050	RING SET, PISTON	4							
21	1	120130-22301	PIN, PISTON	4							
22	1	22252-000300	RING, 30	8							
23	1	129900-23001	ROD ASSY, CONNECTING	4							
26	2	129900-23200	BOLT, CONNECTING ROD	8							
27	2	129900-23601	BEARING, CRANK PIN	4							
29	1	129900-23911	BEARING, PISTON PIN	4							1
30	1	129900-23611	BEARING ASSY, 0.25US	4							2
32	1	729928-22900	PISTON ASSY, 0.25 OS	4							3
34	2	729927-22950	RING SET, 0.25 OS	4							3

Remarks
 (1) REPAIR PART.
 (2) UNDER-SIZED(U.S=0.25)PART.
 (3) OVER-SIZED(O.S=0.25)PART.

Fig.10. LUB.OIL SYSTEM



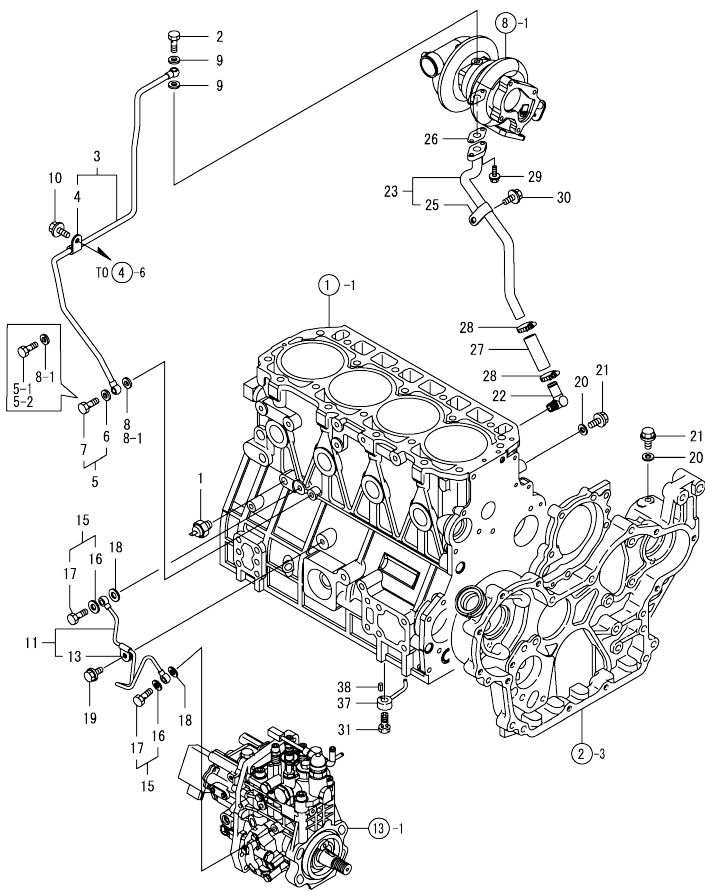
(A)=4TNV98T-ZSBK
(B)=
(C)=

(D)=
(E)=
(F)=

No.	Lev.	Parts No.	Description	Q'ty						I	R
				(A)	(B)	(C)	(D)	(E)	(F)		
1	1	129908-33010	COOLER ASSY, OIL	1							
2	2	123912-33050	O-RING	1							
3	1	123912-33100	BOLT, COOLER	1							
4	1	129908-33101	BRACKET, OIL COOLER	1							
5	1	129006-44480	JOINT	1							
6	1	129908-49060	HOSE, WATER	1							
7	1	129466-49300	ELBOW, PT3/8	1							
8	1	123910-49600	HOSE ASSY WATER	1							
10	2	123910-49610	TUBE, CORRUGATED	1							
11	1	121750-59890	BAND, NYLON	1							
12	1	23000-025000	CLAMP, 25	4							
13	1	24321-000600	O-RING, 1AG60.0	1							
14	1	121520-34810	GUIDE, DIPSTICK	1							
15	1	129953-34830	DIPSTICK	1							
16	1	129150-35170	FILTER,LO	1							
17	1	129900-32030	O-RING, P20	1							
18	1	129953-35000	PIPE ASSY, OIL INLET	1							
23	1	26106-080122	BOLT, M8X 12 PLATED	1							
24	1	26106-080162	BOLT, M8X 16 PLATED	1							
25	1	171056-49120	PLUG, DRAIN R1/4	1							

Remarks
(1) REPAIR PART.

Fig.11. LUB.OIL LINE



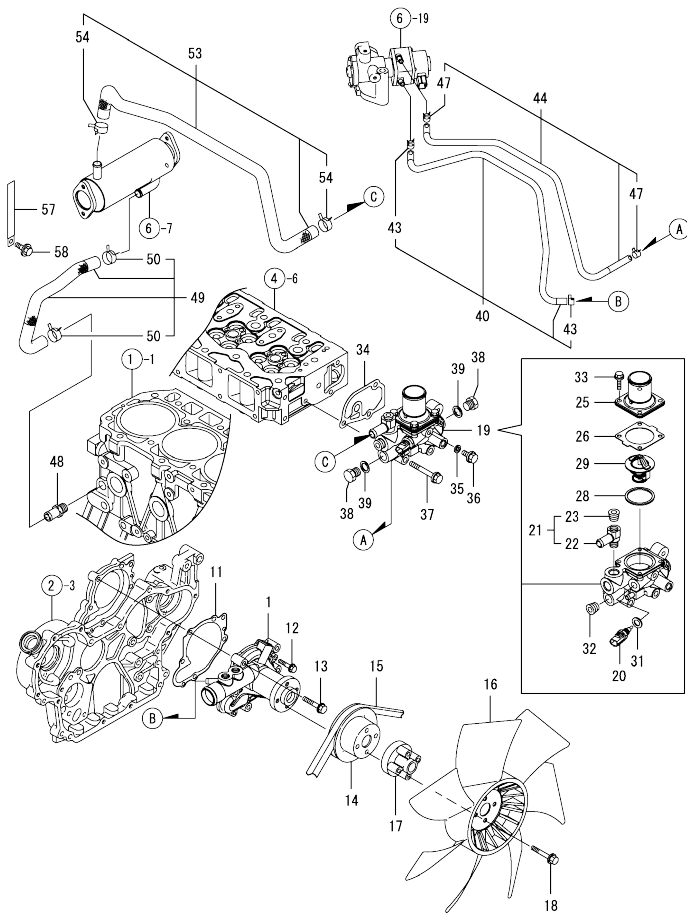
(A)=4TNV98T-ZSBK
(B)=
(C)=

(D)=
(E)=
(F)=

No.	Lev.	Parts No.	Description	Q'ty						I	R
				(A)	(B)	(C)	(D)	(E)	(F)		
1	1	119761-39450	SWITCH, HYDRAULIC	1							
2	1	121252-39150	BOLT, JOINT M10X1.5	1							
3	1	129928-39450	PIPE ASSY, OIL	1							
4	2	124223-39900	RETAINER	1							
5	1	129005-59830	BOLT ASSY, JOINT M8	1							
5-1	1	105010-39140	BOLT, PIPE JOINT M8	1							S
(A=E,J4519)											
5-2	1	129198-59540	BOLT, PIPE JOINT M8	1							S
(A=2020.06)											
6	2	22190-080002	WASHER, SEAL 8	1							Z
(A=E,J4519)											
7	2	23857-030000	BOLT, JOINT 3	1							Z
(A=E,J4519)											
8	1	22190-080002	WASHER, SEAL 8	1							
8-1	1	22190-080002	WASHER, SEAL 8	2							K
(A=E,J4519)											
9	1	23414-100000	GASKET, 10X1.0	2							
10	1	26106-080122	BOLT, M8X 12 PLATED	1							
11	1	129927-39060	PIPE ASSY, OIL	1							
13	2	123907-39500	RETAINER, PIPE	1							
15	1	129005-59830	BOLT ASSY, JOINT M8	2							
16	2	22190-080002	WASHER, SEAL 8	2							
17	2	23857-030000	BOLT, JOINT 3	2							
18	1	22190-080002	WASHER, SEAL 8	2							
19	1	26106-080122	BOLT, M8X 12 PLATED	1							
20	1	22190-080002	WASHER, SEAL 8	2							
21	1	26106-080122	BOLT, M8X 12 PLATED	2							
22	1	124070-13300	ELBOW, PT3/8	1							
23	1	129935-39610	PIPE, OIL RETURN	1							
25	2	123910-39850	RETAINER	1							
26	1	129908-39690	GASKET, RETURN PIPE	1							
27	1	123901-39820	HOSE, OIL RETURN	1							
28	1	23000-025000	CLAMP, 25	2							
29	1	26106-060162	BOLT, M6X 16 PLATED	2							
30	1	26106-080122	BOLT, M8X 12 PLATED	1							
31	1	129908-39410	VALVE ASSY, CHECK	4							
37	1	119000-39650	NOZZLE, COOLING	4							
38	1	22351-030010	PIN, SPRING 3.0X10	4							

N:Old $\frac{N100}{100}$ New, Q:Old $\frac{Q100}{100}$ New, R:Old $\frac{R100}{100}$ New, S:Old $\frac{S100}{100}$ New, W:Add, Z:Discontinued, F:Interchangeable by set, K:Q'ty Change
Copyright (C) YANMAR GLOBAL CS CO., LTD. All Rights Reserved.

Fig.12. COOLING WATER SYSTEM

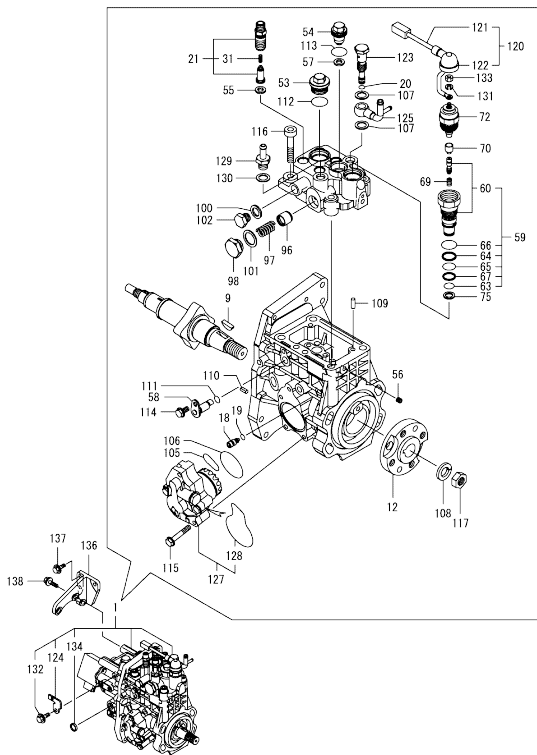


(A)=4TNV98T-ZSBK
(B)=
(C)=

(D)=
(E)=
(F)=

No.	Lev.	Parts No.	Description	Qty						I	R
				(A)	(B)	(C)	(D)	(E)	(F)		
1	1	129927-42000	PUMP ASSY, WATER	1							
11	1	129900-42020	GASKET, WATER PUMP	1							
12	1	26106-060302	BOLT, M6X 30 PLATED	2							
13	1	26106-080552	BOLT, M8X 55 PLATED	5							
14	1	129900-42450	V-PULLEY, C.W.PUMP	1							
15	1	25132-004150	V-BELT, A41.5	1							
16	1	129907-44740	FAN, COOLING D430X7	1							
17	1	119141-44760	SPACER, FAN	1							
18	1	26106-080552	BOLT, M8X 55 PLATED	4							
19	1	129928-49800	CASE ASSY,THERMOSTAT	1							
20	2	129927-44900	SENSOR, WATER TEMP.	1							
21	2	129928-49400	JOINT ASSY	1							
22	3	129928-49410	JOINT	1							
23	3	23875-030000	PLUG, R03	1							
25	2	129916-49530	COVER, THERMOSTAT	1							
26	2	121850-49540	GASKET, THERMOSTAT	1							
28	2	121850-49550	GASKET, THERMOSTAT	1							
29	2	121850-49810	THERMOSTAT, 71C	1							
31	2	22190-120002	WASHER, SEAL 12	1							
32	2	23875-030000	PLUG, R03	1							
33	2	26106-060202	BOLT, M6X 20 PLATED	4							
34	1	129900-49870	GASKET, THERMOSTAT	1							
35	1	23414-080000	GASKET, 8X1.0	1							
36	1	26106-080122	BOLT, M8X 12 PLATED	1							
37	1	26106-080602	BOLT, M8X 60 PLATED	3							
38	1	121450-42450	PLUG, M16	2							
39	1	124465-44950	GASKET, 16	2							
40	1	129927-49610	HOSE ASSY, WATER	1							
43	2	23080-012000	CLAMP, 12	2							
44	1	129927-49620	HOSE ASSY, WATER	1							
47	2	23080-012000	CLAMP, 12	2							
48	1	129928-49420	JOINT	1							
49	1	129948-49610	HOSE ASSY, WATER	1							
50	2	129960-03990	CLAMP, HOSE 19.8	2							
53	1	129948-49620	HOSE ASSY, WATER	1							
54	2	129960-03990	CLAMP, HOSE 19.8	2							
57	1	129928-79700	CLAMP, 150-M8	1							
58	1	26106-080122	BOLT, M8X 12 PLATED	1							

Fig.13. FUEL INJECTION PUMP



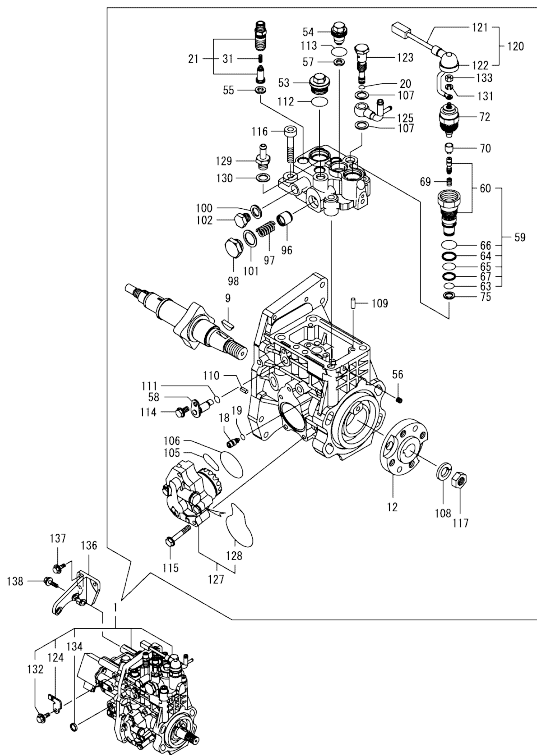
Remarks

(1) GOVERNOR ASSY (FIG.14) IS INCORPORATED IN THIS FUEL INJECTION PUMP (REF.NO.1).
 * ECO PUMP
 MAKE SURE TO UPDATE THE ENGINES ECU INFORMATION WHEN REPLACING THE ECO PUMP.
 FAILING TO DO SO WILL RESULT IN ENGINE MALFUNCTION.

No.	Lev.	Parts No.	Description	Q'ty						I	R
				(A)	(B)	(C)	(D)	(E)	(F)		
1	1	729948-51490	PUMP ASSY, INJECTION	1							1
9	2	144626-51090	KEY, FEATHER 5X19	1							
12	2	158563-51150	FLANGE	1							
18	2	158600-51270	STOPPER, TAPPET	1							
19	2	158563-51281	O-RING, 4D S6	1							
20	2	158563-51281	O-RING, 4D S6	1							
21	2	129928-51390	VALVE ASSY, DELIVERY	4							
31	3	158563-51330	SPRING, DELIVERY	4							
53	2	158601-51550	PLUG, M22	1							
54	2	129907-51560	PLUG, M16	1							
55	2	158552-51571	GASKET, BARREL PLUG	4							
56	2	158557-51570	PLUG, RACK	1							
57	2	129906-51580	GASKET, BARREL PLUG	1							
58	2	158552-51580	LIFTER, LINK	1							
59	2	129657-51590	TIMER ASSY	1							
60	3	129657-51600	TIMER ASSY	1							
63	3	158553-51670	O-RING, PUMP TIMER	1							
64	3	119802-51680	RING, BACKUP	1							
65	3	119802-51690	O-RING, 1016	1							
66	3	24356-010200	O-RING, 4D1020	1							
67	3	24372-000150	RING, BACK UP T2P15	1							
69	2	119852-51630	SPRING, TIMER	1							
70	2	119852-51640	CAP, TIMER	1							
72	2	119852-51650	VALVE ASSY, SOLENOID	1							
75	2	158553-51680	GASKET, TIMER	1							
96	2	158601-51770	PISTON, ACCUMULATOR	1							
97	2	158552-51781	SPRING, ACCUMULATOR	1							
98	2	158601-51790	PLUG, ACCUMULATOR	1							
100	2	22190-120002	WASHER, SEAL 12	1							
101	2	22190-180002	WASHER, SEAL 18	1							
102	2	23887-120002	PLUG, 12	1							
105	2	158552-52310	O-RING, FEED PUMP	1							
106	2	158552-52400	O-RING, 4E S42	1							
107	2	22190-120002	WASHER, SEAL 12	2							
108	2	22217-180000	WASHER, SPRING 18	1							
109	2	22312-050140	PIN, PARALLEL 5X14	2							
110	2	22351-050010	PIN, SPRING 5.0X10	2							
111	2	24311-000070	O-RING, 1AP7.0	1							
112	2	24356-010200	O-RING, 4D1020	1							
113	2	24356-020210	O-RING, 4D2021	1							
114	2	26106-060102	BOLT, M6X 10 PLATED	1							
115	2	26106-060352	BOLT, M6X 35 PLATED	4							
116	2	26450-100452	BOLT, M10X 45	4							
117	2	26776-180002	NUT, LOCK M18	1							
120	2	129927-51650	HARNES ASSY, WIRE	1							
121	3	129927-51660	HARNES	1							
122	3	129263-77941	CAP, RUBBER	1							
123	2	158601-51650	JOINT, OVERFLOW	1							
124	2	129927-51670	BRACKET	1							
125	2	158552-51670	JOINT, OVERFLOW	1							
127	2	158552-52100	PUMP ASSY, FUEL FEED	1							

N:Old $\frac{New}{Old}$ New, Q:Old $\frac{New}{Old}$ New, R:Old $\frac{New}{Old}$ New, S:Old $\frac{New}{Old}$ New, W:Add, Z:Discontinued, F:Interchangeable by set, K:Q'ty Change
 ++ CONTINUE ++
 Copyright (C) YANMAR GLOBAL CS CO., LTD. All Rights Reserved.

Fig.13. FUEL INJECTION PUMP



(A)=4TNV98T-ZSBK
(B)=
(C)=

(D)=
(E)=
(F)=

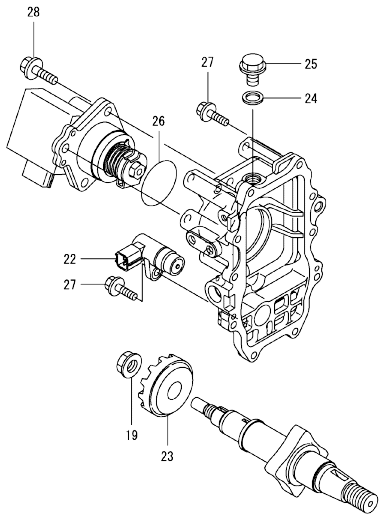
No.	Lev.	Parts No.	Description	Q'ty					
				(A)	(B)	(C)	(D)	(E)	(F)
128	3	158552-52500	O-RING, PUMP INNER	1					
129	2	119934-59910	JOINT, PIPE	1					
130	2	22190-120002	WASHER, SEAL 12	1					
131	2	22217-050000	WASHER, SPRING 5	1					
132	2	26106-060122	BOLT, M6X 12 PLATED	1					
133	2	26716-050002	NUT, M5	1					
134	2	27241-160000	PLUG, 16	1					
136	1	129927-51250	RETAINER, FUEL PUMP	1					
137	1	26106-080202	BOLT, M8X 20 PLATED	3					
138	1	26106-080302	BOLT, M8X 30 PLATED	3					

Remarks

(1) GOVERNOR ASSY(FIG.14) IS INCORPORATED IN THIS FUEL INJECTION PUMP.(REF.NO.1).
* ECO PUMP
MAKE SURE TO UPDATE THE ENGINES ECU INFORMATION WHEN REPLACING THE ECO PUMP.
FAILING TO DO SO WILL RESULT IN ENGINE MALFUNCTION.

0CW10-M41500 4TNV98T-ZSBK
 Fig.14. GOVERNOR

0CW10-M41500 Fig.14



(A)=4TNV98T-ZSBK
 (B)=
 (C)=

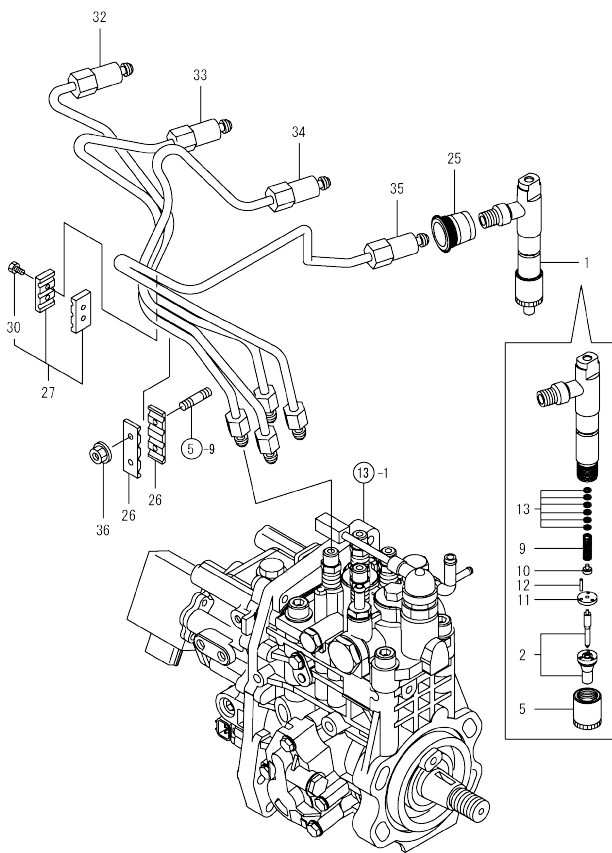
(D)=
 (E)=
 (F)=

No.	Lev.	Parts No.	Description	Q'ty					
				(A)	(B)	(C)	(D)	(E)	(F)
19	2	129008-61301	NUT, SUPPORT	1					
22	2	158557-61720	SENSOR, ROTATION	1					
23	2	158553-61780	GEAR, SENSOR	1					
24	2	23414-120000	GASKET, 12X1.0	1					
25	2	23887-120002	PLUG, 12	1					
26	2	24341-000480	O-RING, 1AS48.0	1					
27	2	26106-060252	BOLT, M6X 25 PLATED	10					
28	2	26106-080252	BOLT, M8X 25 PLATED	3					

Remarks
 * THIS FIGURE(GOVERNOR ASSY)IS
 INCORPORATED IN THE FUEL INJECTION
 PUMP ASSY(FIG.13).

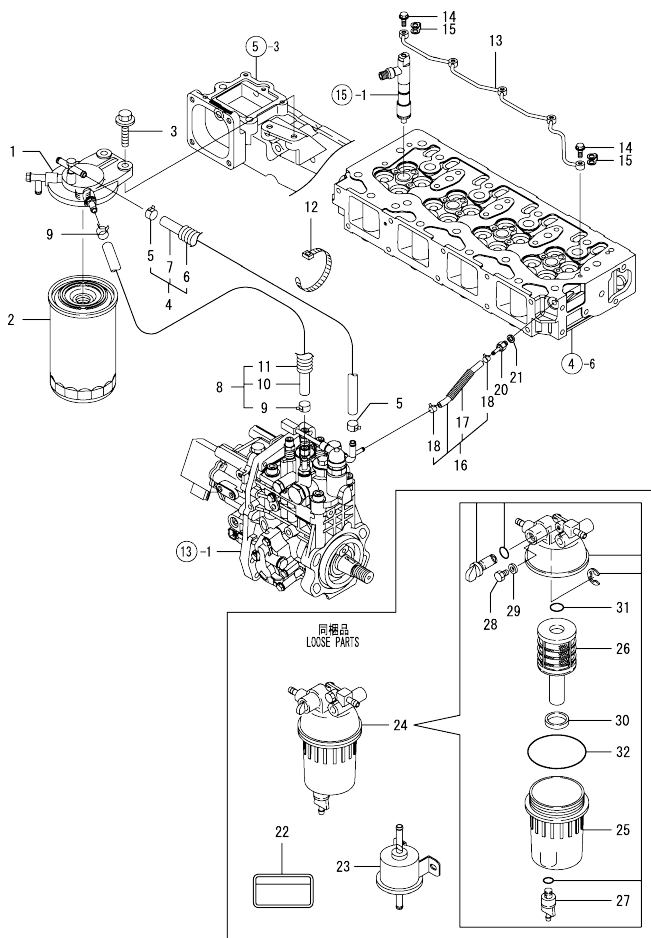
N:Old $\frac{100}{100}$ New. Q:Old $\frac{100}{100}$ New. R:Old $\frac{100}{100}$ New. S:Old $\frac{100}{100}$ New. W:Add. Z:Discontinued. F:Interchangeable by set. K:Q'ty Change
 Copyright (C) YANMAR GLOBAL CS CO., LTD. All Rights Reserved.

Fig.15. FUEL INJECTION VALVE



No.	Lev.	Parts No.	Description	Q'ty					
				(A)	(B)	(C)	(D)	(E)	(F)
1	1	729928-53300	FUEL INJECTOR ASSY	4					
2	2	129672-53010	NOZZLE ASSY, F.I.	4					
5	2	114250-53080	NUT, NOZZLE	4					
9	2	114250-53120	SPRING, NOZZLE	4					
10	2	114250-53130	SEAT, SPRING	4					
11	2	114250-53140	SPACER	4					
12	2	114250-53210	PIN	8					
13	2	114250-53400	SHIM SET	4					
25	1	123907-11601	SEAL, PIPE	4					
26	1	123472-59120	RETAINER, PIPE	2					
27	1	129150-59120	RETAINER, PIPE	1					
30	2	129150-59131	BOLT, M4X14	2					
32	1	129927-59810	PIPE ASSY, INJECTION	1					
33	1	129927-59820	PIPE ASSY, INJECTION	1					
34	1	129927-59830	PIPE ASSY, INJECTION	1					
35	1	129927-59840	PIPE ASSY, INJECTION	1					
36	1	26366-060002	NUT, M6	2					

Fig.16. FUEL LINE

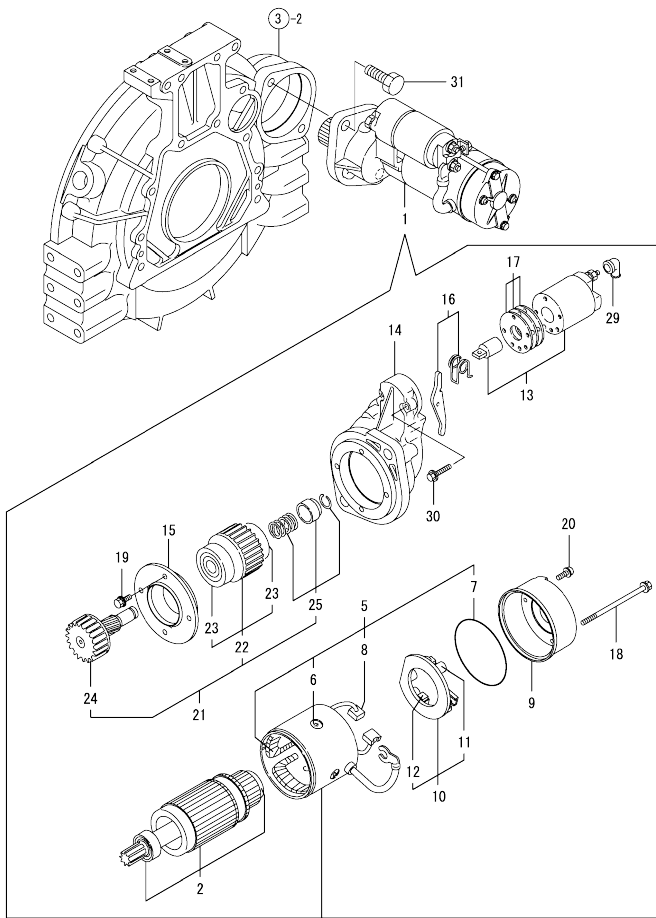


(A)=4TNV98T-ZSBK
(B)=
(C)=

(D)=
(E)=
(F)=

No.	Lev.	Parts No.	Description	Q'ty						I	R
				(A)	(B)	(C)	(D)	(E)	(F)		
1	1	129004-55612	BRACKET, FILTER	1							
2	1	123907-55810	FILTER, FUEL	1							
3	1	26106-080302	BOLT, M8X 30 PLATED	2							
4	1	129457-59010	HOSE ASSY, FUEL	1							
5	2	124766-59050	CLAMP, HOSE 11.5	2							
6	2	129957-59120	TUBE, CORRUGATED 15	1							
7	2	105025-59750	HOSE, FUEL	1							
8	1	129961-59310	HOSE ASSY, FUEL	1							
9	2	124766-59050	CLAMP, HOSE 11.5	2							
10	2	129136-59110	HOSE, D13/7.5X270	1							
11	2	129961-59110	TUBE, CORRUGATED 15	1							
12	1	121750-59890	BAND, NYLON	1							
13	1	129907-59140	PIPE ASSY, RETURN	1							
14	1	123907-59540	BOLT, PIPE JOINT M6	5							
15	1	123907-59550	GASKET	5							
16	1	129927-59550	HOSE ASSY RETURN	1							
17	2	129263-49750	TUBE, CORRUGATED	1							
18	2	124722-59050	CLAMP, HOSE 9	2							
20	1	123907-59560	JOINT, HOSE	1							
21	1	22190-080002	WASHER, SEAL 6	1							
22	1	114110-07760	LABEL, FUEL CAUTION	1							
23	1	129612-52100	PUMP, FUEL FEED	1							
24	1	129242-55700	SEPARATOR ASSY, WATER	1							
25	2	129242-55720	CUP, SEPARATOR	1							
26	2	129242-55730	ELEMENT, FUEL	1							
27	2	129242-55740	PLUG, DRAIN	1							
28	2	129242-55750	VALVE, AIR VENT	1							
29	2	129242-55760	GASKET, PLUG	1							
30	2	129242-55770	FLOAT	1							
31	2	24311-000160	O-RING, 1AP16.0	1							
32	2	24321-000750	O-RING, 1AG75.0	1							

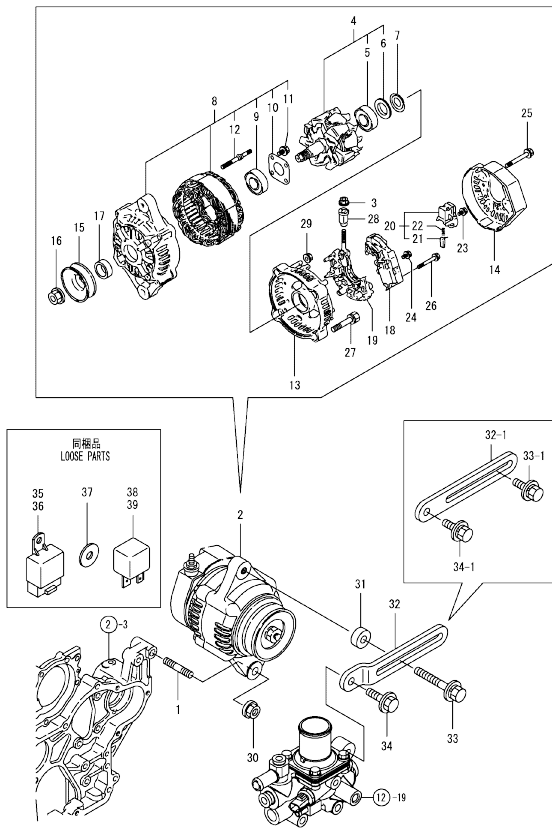
Fig.17. STARTING MOTOR



No.	Lev.	Parts No.	Description	Qty						I	R
				(A)	(B)	(C)	(D)	(E)	(F)		
1	1	129940-77010	STARTER ASSY	1							
2	2	129940-77100	ARMATURE ASSY	1							
5	2	129940-77130	COIL ASSY, FIELD	1							
6	3	129940-77140	SCREW, CORE SET	4							
7	3	129940-77150	O-RING	1							
8	3	129940-77160	BRUSH	2							
9	2	129940-77170	COVER	1							
10	2	129940-77180	HOLDER ASSY, BRUSH	1							
11	3	129940-77190	SPRING, BRUSH	1							
12	3	129940-77200	BRUSH	2							
13	2	129940-77210	SWITCH ASSY, MAGNET	1							
14	2	129940-77220	CASE, GEAR	1							
15	2	129940-77230	RETAINER, BEARING	1							
16	2	129940-77240	LEVER SET	1							
17	2	129940-77250	COVER KIT, DUST	1							
18	2	129940-77260	BOLT, THROUGH	2							
19	2	129940-77270	BOLT	4							
20	2	129940-77280	SCREW	2							
21	2	123900-77510	PINION ASSY	1							
22	3	123900-77520	CLUTCH ASSY	1							
23	4	X2240610100	BEARING, BALL	2							
24	3	123900-77540	SHAFT, PINION	1							
25	3	119131-77550	STOPPER SET, PINION	1							
29	2	121254-77810	COVER, TERMINAL	1							
30	2	114371-79070	BOLT	2							
31	1	26116-120252	BOLT, M12X 25 PLATED	2							

N:Old $\frac{100}{100}$ New, Q:Old $\frac{100}{100}$ New, R:Old $\frac{100}{100}$ New, S:Old $\frac{100}{100}$ New, W:Add, Z:Discontinued, F:Interchangeable by set, K:Qty Change
 Copyright (C) YANMAR GLOBAL CS CO., LTD. All Rights Reserved.

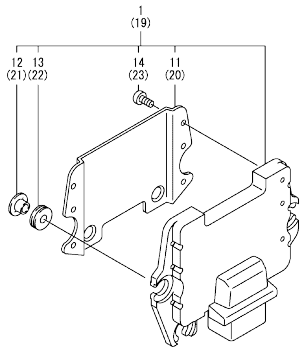
Fig.18. GENERATOR



Remarks
 (1) Interchangeable by simultaneous replacement with Ref.32-1, 33-1 and 34-1.

No.	Lev.	Parts No.	Description	Q'ty						I	R
				(A)	(B)	(C)	(D)	(E)	(F)		
1	1	129795-01900	BOLT, STUD M10X33	1							
2	1	119620-77201	GENERATOR ASSY, 40A	1							
3	2	X9490561001	NUT	1							
4	2	119620-77380	ROTOR ASSY	1							
5	3	123501-79240	BEARING, BALL	1							
6	3	119620-79250	COVER, BEARING	1							
7	2	119620-79360	WASHER, THRUST	1							
8	2	119620-77421	FRAME ASSY, GENERATOR	1							
9	3	119620-79200	BEARING, BALL	1							
10	3	119620-79210	RETAINER	1							
11	3	119620-79220	SCREW	4							
12	3	119620-79230	BOLT, STUD	2							
13	2	119620-77440	FRAME ASSY	1							
14	2	119620-77450	COVER	1							
15	2	119620-77461	PULLEY, GENERATOR	1							
16	2	119620-77471	NUT	1							
17	2	119620-77490	COLLAR	1							
18	2	119620-77710	REGULATOR ASSY	1							
19	2	119620-79260	HOLDER	1							
20	2	119620-79270	HOLDER, BRUSH	1							
21	3	119620-77480	BRUSH	2							
22	3	119620-79280	SPRING	2							
23	2	119620-79290	SCREW	6							
24	2	119620-79300	SCREW	1							
25	2	119620-79310	BOLT	3							
26	2	119620-79320	SCREW	2							
27	2	119620-79330	BOLT	2							
28	2	119620-79340	BUSH, INSULATION	1							
29	2	119620-79350	NUT	2							
30	1	26306-100002	NUT, M10	1							
31	1	119940-77270	SPACER	1							Z
		(A=EXXXXX)									
32	1	129972-77330	ADJUSTER, BELT	1							
32-1	1	129988-77330	ADJUSTER, BELT	1							S 1
		(A=EXXXXX)									
33	1	129972-77341	BOLT, ADJUST L=50	1							
33-1	1	119810-77340	BOLT, ADJUST L=30	1							S 1
		(A=EXXXXX)									
34	1	26106-080222	BOLT, M8X 22 PLATED	1							
34-1	1	26014-080252	BOLT, M8X 25	1							S 1
		(A=EXXXXX)									
35	1	198461-52950	RELAY, CA TYPE C	1							
36	1	198461-52950	RELAY, CA TYPE C	1							
37	1	129927-77690	WASHER, ECU	3							
38	1	129927-77920	RELAY, ISO 70A	1							
39	1	129927-77920	RELAY, ISO 70A	1							

Fig.19. ELECTRONIC CONTROL UNIT (ECU)

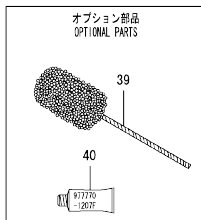
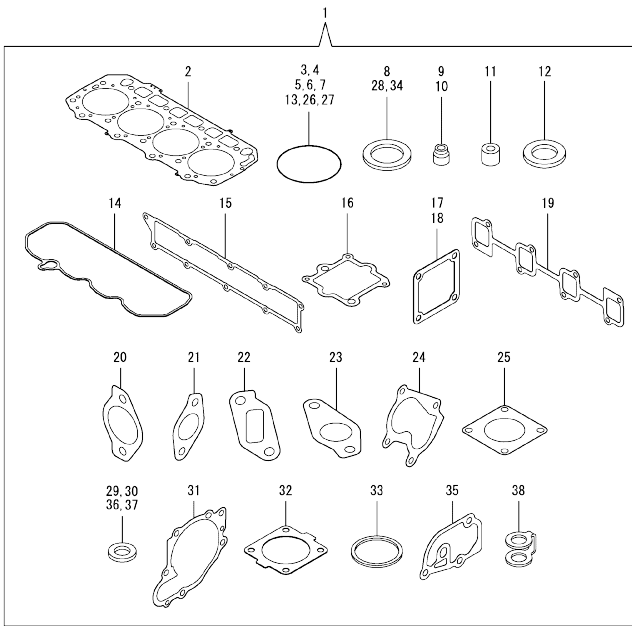


No.	Lev.	Parts No.	Description	Q'ty						I	R
				(A)	(B)	(C)	(D)	(E)	(F)		
1	1	129948-75000	ECU CMP(4TNV98T-ZSBK	1							1
1-1	1	129948-75050	ECU CMP(4TNV98T-ZSBK	1							S 1
(A=2008.08.)											
11	2	129927-77600	SHIELD, ECU	1							
12	2	129927-77680	COLLAR, CONTROLLER	3							
13	2	119578-91351	RUBBER, CONTROLLER	3							
14	2	22877-500080	SCREW, 5X 8	6							
19	1	129927-75900	ECU ASSY. SERVICE	1							2
20	2	129927-77600	SHIELD, ECU	1							
21	2	129927-77680	COLLAR, CONTROLLER	3							
22	2	119578-91351	RUBBER, CONTROLLER	3							
23	2	22877-500080	SCREW, 5X 8	6							

Remarks

- (1)Eco ECU
- This part cannot be ordered.
- Replace the part using a Service ECU with the proper engine information installed.
- (2)Service ECU
- If the proper information is not installed, the engine will not operate.
- To install proper information, go to an authorized distributor.

Fig.20. GASKET SET



Remarks
(1) OPTIONAL PART.

No.	Lev.	Parts No.	Description	Q'ty						I	R
				(A)	(B)	(C)	(D)	(E)	(F)		
1	1	729928-92680	GASKET SET	1							1
2	2	129907-01331	GASKET, HEAD	1							
3	2	129900-32030	O-RING, P20	2							
4	2	129900-32040	O-RING, P14	1							
5	2	24311-000070	O-RING, 1AP7.0	1							
6	2	24351-030750	O-RING, 1A3075	1							
7	2	24311-000320	O-RING, 1AP32.0	2							
8	2	22190-220002	WASHER, SEAL 22	1							
9	2	119803-11340	SEAL, VALVE STEM	8							
10	2	124160-11340	SEAL, VALVE STEM	8							
11	2	119802-11870	PROTECTOR, NOZZLE	4							
12	2	119625-11880	SEAT, NOZZLE	4							
13	2	24311-000120	O-RING, 1AP12.0	8							
14	2	129933-11310	GASKET, BONNET	1							
15	2	129907-12110	GASKET, MANIFOLD	1							
16	2	129928-13720	GASKET	1							
17	2	119129-77020	GASKET	1							
18	2	121850-77021	GASKET, AIR HEATER	1							
19	2	129900-13251	GASKET, EXH.MANIFOLD	1							
20	2	129928-13410	GASKET	2							
21	2	129927-13810	GASKET	1							
22	2	129927-13910	GASKET, EGR	1							
23	2	129927-13920	GASKET, EGR	1							
24	2	123901-18080	GASKET	1							
25	2	129472-18090	GASKET	1							
26	2	24341-000530	O-RING, 1AS53.0	1							
27	2	24321-000600	O-RING, 1AG60.0	1							
28	2	22190-080002	WASHER, SEAL 6	9							
29	2	23414-100000	GASKET, 10X1.0	2							
30	2	129908-39690	GASKET	1							
31	2	129900-42020	GASKET, WATER PUMP	1							
32	2	121850-49540	GASKET, THERMOSTAT	1							
33	2	121850-49550	GASKET, THERMOSTAT	1							
34	2	22190-120002	WASHER, SEAL 12	1							
35	2	129900-49870	GASKET, THERMOSTAT	1							
36	2	23414-080000	GASKET, 8X1.0	1							
37	2	124465-44950	GASKET, 16	2							
38	2	123907-59550	GASKET	5							
39	1	129400-92450	HONE, FLEX	1							1
40	1	97770-1207F	GASKET, LIQUID	1							1

Parts No. Index

Parts No.	Fig. No.	Ref. No.
105010-39140	11	5 -1
105025-59750	16	7
114110-07760	16	22
114250-53080	15	5
114250-53120	15	9
114250-53130	15	10
114250-53140	15	11
114250-53210	15	12
114250-53400	15	13
114371-79070	17	30
119000-39650	11	37
119005-77051	5	19
119100-11330	4	61
119129-77020	5	17
	20	17
119129-77520	5	20
119131-18320	8	3
119131-77550	17	25
119141-44760	12	17
119578-91351	19	13
		22
119593-11301	4	34
119620-01750	3	4
119620-11180	4	18
119620-77201	18	2
119620-77380	18	4
119620-77421	18	8
119620-77440	18	13
119620-77450	18	14
119620-77461	18	15
119620-77471	18	16
119620-77480	18	21
119620-77490	18	17
119620-77710	18	18
119620-79200	18	9
119620-79210	18	10
119620-79220	18	11
119620-79230	18	12
119620-79250	18	6
119620-79260	18	19
119620-79270	18	20
119620-79280	18	22
119620-79290	18	23
119620-79300	18	24
119620-79310	18	25
119620-79320	18	26
119620-79330	18	27
119620-79340	18	28
119620-79350	18	29
119620-79360	18	7

Parts No.	Fig. No.	Ref. No.
119625-11880	4	30
	20	12
119640-01640	3	9
119761-39450	11	1
119802-11870	4	29
	20	11
119802-13790	6	10
119802-51680	13	64
119802-51690	13	65
119803-11340	4	19
	20	9
119810-77340	18	33 -1
119852-51630	13	69
119852-51640	13	70
119852-51650	13	72
119934-59910	13	129
119940-77270	18	31
120130-22301	9	21
121252-39150	11	2
121254-77810	17	29
121450-42450	12	38
121520-34810	10	14
121750-59890	10	11
	16	12
121850-21130	9	11
121850-21290	9	4
121850-21920	9	5
121850-49540	12	26
	20	32
121850-49550	12	28
	20	33
121850-49810	12	29
121850-77021	5	18
	20	18
123472-59120	15	26
123501-79240	18	5
123900-13630	6	6
123900-25060	7	9
123900-77510	17	21
123900-77520	17	22
123900-77540	17	24
123901-03240	4	76
123901-18080	6	24
	20	24
123901-39820	11	27
123907-11280	4	39
123907-11550	4	5
123907-11601	15	25
123907-11820	4	25
123907-11830	4	24

Parts No.	Fig. No.	Ref. No.
123907-39500	11	13
123907-55810	16	2
123907-59540	16	14
123907-59550	16	15
	20	38
123907-59560	16	20
123910-39850	11	25
123910-49600	10	8
123910-49610	10	10
123912-03250	4	78
123912-33050	10	2
123912-33100	10	3
123951-18220	5	14
124070-13300	11	22
124160-01751	2	14
	4	54
124160-11340	4	20
	20	10
124160-11360	4	65
124223-39900	11	4
124465-44950	12	39
	20	37
124722-59050	16	18
124766-59050	16	5
	9	9
129001-91810	2	17
	25	25
129004-55612	16	1
129005-59830	11	5
	15	15
129006-44480	10	5
129008-61301	14	19
129100-01580	2	1
	3	1
129136-59110	16	10
129150-02450	7	4
129150-03100	4	72
129150-11230	4	42
	46	46
129150-11750	4	23
	43	43
	47	47
129150-14200	7	1
129150-25920	7	13
129150-35170	10	16
129150-59120	15	27
129150-59131	15	30
129198-59540	11	5 -2
129242-55700	16	24
129242-55720	16	25

Parts No.	Fig. No.	Ref. No.
129242-55730	16	26
129242-55740	16	27
129242-55750	16	28
129242-55760	16	29
129242-55770	16	30
129263-49750	16	17
129263-77941	13	122
129400-92450	20	39
129410-03990	4	70
129418-18320	6	3
	4	4
129457-59010	16	4
129466-49300	10	7
129472-18090	8	2
	20	25
129509-79700	4	62
129612-52100	16	23
129657-51590	13	59
129657-51600	13	60
129672-53010	15	2
129795-01900	18	1
129900-01200	1	27
129900-01250	1	4
129900-01620	3	2
129900-01740	2	16
129900-01850	2	23
129900-01870	2	24
129900-02020	1	6
129900-02341	1	33
129900-02410	1	9
129900-02931	1	24
129900-02941	1	36
129900-13251	6	5
	20	19
129900-14100	7	6
129900-21200	9	3
129900-21600	9	14
129900-23001	9	23
129900-23200	9	26
129900-23601	9	27
129900-23611	9	30
129900-23911	9	29
129900-25100	7	10
129900-32030	2	6
	10	17
	20	3
129900-32040	2	7
	20	4
129900-42020	12	11
	20	31

Parts No. Index

Parts No.	Fig. No.	Ref. No.
129900-42450	12	14
129900-49870	12	34
	20	35
129906-51580	13	57
129907-01331	1	28
	20	2
129907-03011	4	56
129907-03061	4	57
129907-03070	4	58
129907-07900	4	1
129907-11100	4	15
129907-11110	4	16
129907-11120	4	17
129907-11250	4	36
129907-11260	4	37
129907-11270	4	38
129907-11341	4	35
129907-11510	4	21
129907-11650	4	40
129907-11660	4	44
129907-11800	4	28
129907-11910	4	31
129907-11920	4	48
129907-11950	4	32
129907-12110	5	1
	20	15
129907-14400	7	2
129907-21650	9	9
129907-25900	7	16
129907-44740	12	16
129907-51560	13	54
129907-59140	16	13
129908-14581	7	3
129908-21000	9	1
129908-32060	2	4
129908-33010	10	1
129908-33101	10	4
129908-39410	11	31
129908-39690	11	26
	20	30
129908-49060	10	6
129916-01790	3	7
129916-01800	2	22
129916-21610	9	7
129916-49530	12	25
129927-13810	6	12
	20	21
129927-13900	6	19
129927-13910	6	20
	20	22

Parts No.	Fig. No.	Ref. No.
129927-13920	6	21
	20	23
129927-22050	9	17
129927-39060	11	11
129927-42000	12	1
129927-42140	2	7 A
129927-44900	12	20
129927-49610	12	40
129927-49620	12	44
129927-51250	13	136
129927-51650	13	120
129927-51660	13	121
129927-51670	13	124
129927-59550	16	16
129927-59810	15	32
129927-59820	15	33
129927-59830	15	34
129927-59840	15	35
129927-75900	19	19
129927-77600	19	11
	20	20
129927-77680	19	12
	21	21
129927-77690	18	37
129927-77920	18	38
	39	39
129928-11700	4	6
129928-12100	5	3
129928-12150	5	2
129928-13100	6	2
129928-13150	6	1
129928-13400	6	7
129928-13410	6	8
	9	9
	20	20
129928-13700	5	4
129928-13710	5	5
129928-13720	5	6
	20	16
129928-18010	8	1
129928-18200	5	12
129928-22080	9	15
129928-39450	11	3
129928-49400	12	21
129928-49410	12	22
129928-49420	12	48
129928-49800	12	19
129928-51390	13	21
129928-79700	12	57
129933-11310	4	60

Parts No.	Fig. No.	Ref. No.
129933-11310	20	14
129935-01500	2	3
129935-39610	11	23
129940-77010	17	1
129940-77100	17	2
129940-77130	17	5
129940-77140	17	6
129940-77150	17	7
129940-77160	17	8
129940-77170	17	9
129940-77180	17	10
129940-77190	17	11
129940-77200	17	12
129940-77210	17	13
129940-77220	17	14
129940-77230	17	15
129940-77240	17	16
129940-77250	17	17
129940-77260	17	18
129940-77270	17	19
129940-77280	17	20
129948-01740	3	8
129948-03080	4	68
129948-07900	4	2
129948-11300	4	55
129948-13800	6	11
129948-13810	6	13
129948-49610	12	49
129948-49620	12	53
129948-75000	19	1
129948-75050	19	1 -1
129953-21560	9	12
129953-25300	7	15
129953-34830	10	15
129953-35000	10	18
129957-59120	16	6
129960-03990	12	50
	54	54
129960-21640	9	8
129961-59110	16	11
129961-59310	16	8
129972-03220	4	74
129972-03230	4	75
129972-03240	4	73
129972-77330	18	32
129972-77341	18	33
129974-18210	5	13
129988-77330	18	32 -1
144626-51090	13	9
158552-51571	13	55

Parts No.	Fig. No.	Ref. No.
158552-51580	13	58
158552-51670	13	125
158552-51781	13	97
158552-52100	13	127
158552-52310	13	105
158552-52400	13	106
158552-52500	13	128
158553-51670	13	63
158553-51680	13	75
158553-61780	14	23
158557-51570	13	56
158557-61720	14	22
158563-51150	7	17
	13	12
158563-51281	13	19
	20	20
158563-51330	13	31
158600-51270	13	18
158601-51550	13	53
158601-51650	13	123
158601-51770	13	96
158601-51790	13	98
171051-01921	1	5
171056-49120	10	25
198461-52950	18	35
	36	36
22190-080002	11	6
	8	8
	8	-1
	16	16
	18	18
	20	20
	21	21
	28	28
22190-120002	12	31
	13	100
	107	107
	130	130
	20	34
22190-180002	13	101
22190-220002	3	11
	20	8
22217-050000	13	131
22217-180000	7	18
	13	108
22252-000300	9	22
22312-050140	13	109
22351-030010	11	38
22351-050010	13	110
22351-060012	1	10

Parts No. Index

Parts No.	Fig. No.	Ref. No.
22512-070140	7	7
	9	6
22857-500100	4	64
22877-500080	19	14
		23
23000-022000	4	79
23000-025000	10	12
	11	28
23000-054000	5	15
23000-070000	5	16 -1
23000-080000	5	16
23065-160250	4	80
23080-012000	12	43
		47
23414-080000	12	35
	20	36
23414-100000	11	9
	20	29
23414-120000	14	24
23857-030000	11	7
		17
23875-030000	12	23
		32
23876-020000	4	12
23876-030000	1	11
		12
		13
		29
	4	13
23887-120002	13	102
	14	25
24311-000070	2	8
	13	111
	20	5
24311-000120	4	33
		66
	20	13
24311-000160	16	31
24311-000320	2	15
	4	67
	20	7
24321-000600	10	13
	20	27
24321-000750	16	32
24341-000480	14	26
24341-000530	9	10
	20	26
24351-030750	2	9
	20	6
24356-010200	13	66

Parts No.	Fig. No.	Ref. No.
24356-010200	13	112
24356-020210	13	113
24372-000150	13	67
25132-004150	12	15
26014-080252	18	34 -1
26106-060102	13	114
26106-060122	4	63
	13	132
26106-060162	11	29
26106-060202	5	7
		8
	12	33
26106-060252	14	27
26106-060302	12	12
26106-060352	13	115
26106-080122	3	12
	10	23
	11	10
		19
		21
		30
	12	36
		58
26106-080142	4	81
26106-080162	2	10
		18
		26
	4	3
	7	8
	10	24
26106-080202	2	11
	4	4
	13	137
26106-080222	18	34
26106-080252	14	28
26106-080302	13	138
	16	3
26106-080352	6	14
26106-080402	2	19
		27
	4	50
	5	21
26106-080452	2	12
	5	10
	6	15
26106-080552	6	16
	7	14
	12	13
		18
26106-080602	4	51

Parts No.	Fig. No.	Ref. No.
26106-080602	4	52
	12	37
26106-080802	5	11
26106-080902	5	22
26106-100252	6	17
26106-100402	6	22
26106-101052	6	23
26116-050102	4	77
26116-120252	17	31
26206-100352	3	5
26206-100702	3	6
26216-060202	5	9
26216-100302	2	5
26226-080222	4	49
26306-080002	4	53
	6	18
	8	4
26306-100002	2	13
	18	30
26366-060002	15	36
26450-100452	13	116
26716-050002	13	133
26776-180002	7	19
	13	117
27241-160000	13	134
27241-300000	1	14
27241-400000	4	14
27310-070001	4	26
729900-02801	1	30
729907-01559	2	20
729927-22950	9	34
729928-01560	1	1
729928-22900	9	32
729928-53300	15	1
729928-92680	20	1
729948-51490	13	1
977770-1207F	20	40
X2240610100	17	23
X9490561001	18	3

Parts No.	Fig. No.	Ref. No.
-----------	----------	----------