

0CD50-M02280EN

P R E F A C E

This parts catalog is the 1st edition of 4TNV98T-ZCNLSC for
LS MACHINERY(QINGDAO) CO., LTD..

Published : May, 2016

Contents

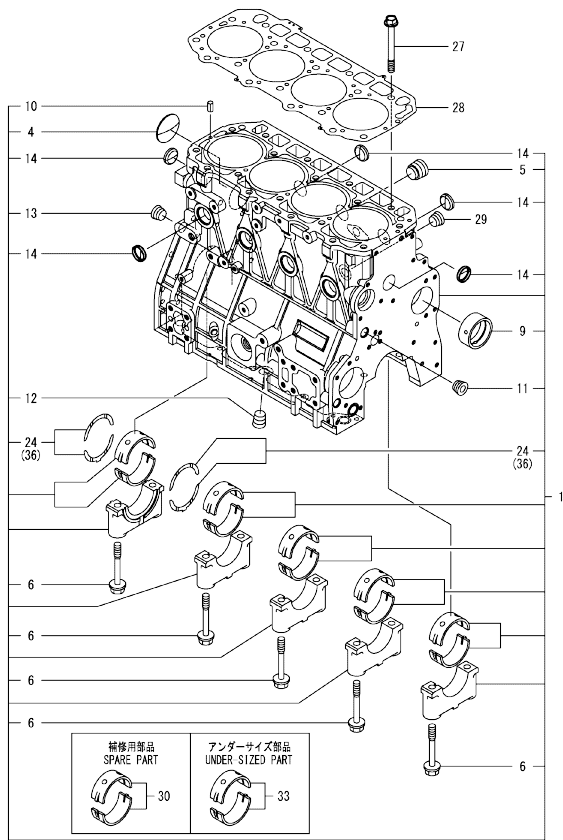
0CD50-M02280

Fig. No.	Fig. Name	Fig. No.	Fig. Name
ENGINE			
1.	CYLINDER BLOCK		
2.	GEAR HOUSING		
3.	OIL SUMP		
4.	CYLINDER HEAD & BONNET		
5.	SUCTION MANIFOLD		
6.	EXHAUST MANIFOLD		
7.	CAMSHAFT & DRIVING GEAR		
8.	TURBINE		
9.	CRANKSHAFT & PISTON		
10.	LUB. OIL SYSTEM		
11.	LUB. OIL PIPE		
12.	COOLING WATER SYSTEM		
13.	FUEL INJECTION PUMP		
14.	GOVERNOR		
15.	FUEL INJECTION VALVE		
16.	FUEL PIPE		
17.	STARTER MOTOR		
18.	GENERATOR		
19.	ELECTRONIC CONTROL UNIT(ECU)		
20.	ELECTRIC PARTS		

Fig.1. CYLINDER BLOCK

(A)=4TNV98T-ZCNLSC
(B)=
(C)=

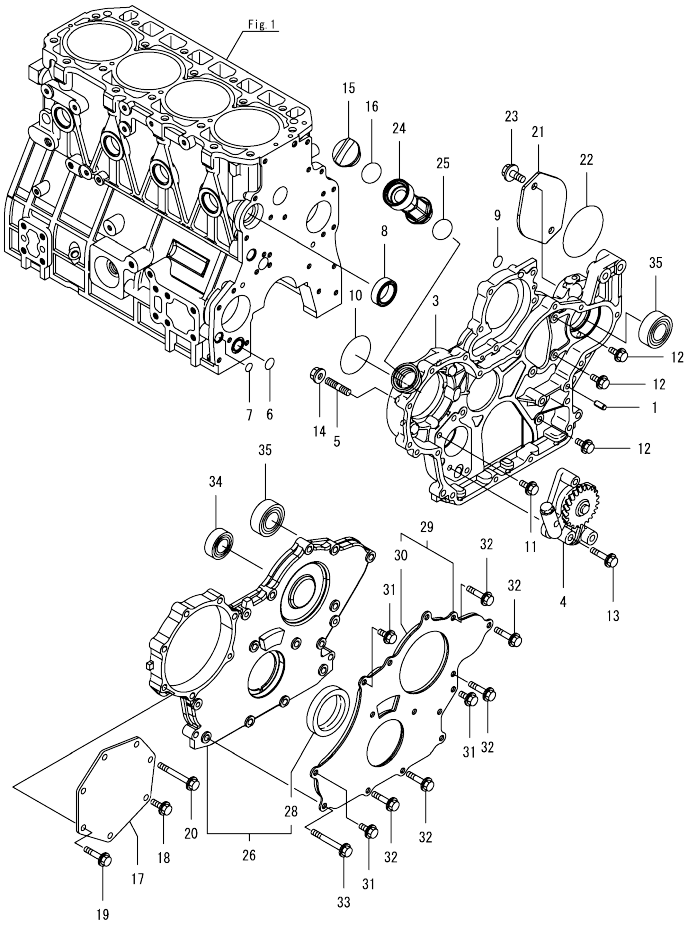
(D)=
(E)=
(F)=



No.	Lev.	Parts No.	Description	Q'ty						I	R
				(A)	(B)	(C)	(D)	(E)	(F)		
1	1	729928-01560	BLOCK ASSY, CYLINDER	1							
4	2	129900-01250	PLUG, DISH TYPE 55	1							
5	2	171051-01921	PLUG, NPTF1	1							
6	2	129900-02020	BOLT, METAL CAP	10							
9	2	129900-02410	BUSH, CAMSHAFT	1							
10	2	22351-060012	PIN, SPRING 6.0X12	2							
11	2	23876-030000	PLUG, R03	1							
12	2	23876-030000	PLUG, R03	1							
13	2	23876-030000	PLUG, R03	1							
14	2	27241-300000	PLUG 30	8							
24	2	129900-02931	BEARING ASSY, THRUST	2							
27	1	129900-01200	BOLT, CYLINDER HEAD	18							
28	1	129907-01331	GASKET, HEAD	1							
29	1	23876-030000	PLUG, R03	1							
30	1	729900-02801	BEARING, MAIN	5							1
33	1	129900-02341	BEARING ASSY, MAIN	5							2
36	1	129900-02941	BEARING, THRUST 0.25	2							3

Remarks
 (1)Spare parts.
 (2)Under-sized(U.S.=0.25) parts.
 (3)Over-sized(O.S.=0.25) parts.

Fig.2. GEAR HOUSING



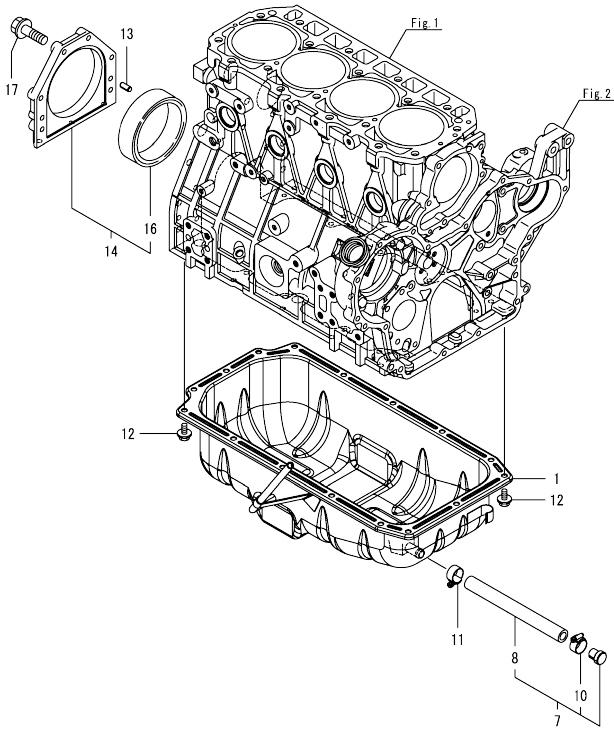
(A)=4TNV98T-ZCNLSC
(B)=
(C)=

(D)=
(E)=
(F)=

No.	Lev.	Parts No.	Description	Q'ty						I	R
				(A)	(B)	(C)	(D)	(E)	(F)		
1	1	129100-01580	PIN, PARALLEL 8X16	4							
3	1	129933-01500	CASE, GEAR	1							
4	1	129908-32060	PUMP ASSY, OIL	1							
5	1	26216-100302	STUD, M10X 30	4							
6	1	129900-32030	O-RING, P20	1							
7	1	129900-32040	O-RING, P14	1							
8	1	129927-42140	GASKET, CW-P OUT	1							
9	1	24311-000070	O-RING, 1AP7.0	1							
10	1	24351-030750	O-RING, 1A3075	1							
11	1	26106-080162	BOLT, M8X 16 PLATED	1							
12	1	26106-080202	BOLT, M8X 20 PLATED	3							
13	1	26106-080452	BOLT, M8X 45 PLATED	3							
14	1	26306-100002	NUT, M10	4							
15	1	124160-01751	CAP, FILLER	1							
16	1	24311-000320	O-RING, 1AP32.0	1							
17	1	129951-01740	COVER	1							
18	1	26106-080202	BOLT, M8X 20 PLATED	1							
19	1	26106-080452	BOLT, M8X 45 PLATED	5							
20	1	26106-080752	BOLT, M8X 75 PLATED	1							
21	1	121023-26071	COVER, PUMP	1							
22	1	24321-000850	O-RING, 1AG85.0	1							
23	1	26106-100202	BOLT, M10X 20 PLATED	2							
24	1	171031-11741	PIPE	1							
25	1	24311-000320	O-RING, 1AP32.0	1							
26	1	729907-01559	COVER ASSY,GEAR CASE	1							
28	2	129916-01800	SEAL, OIL	1							
29	1	129900-01850	COVER ASSY,GEAR CASE	1							
30	2	129900-01870	SPONGE, GEAR CASE	1							
31	1	26106-080162	BOLT, M8X 16 PLATED	3							
32	1	26106-080402	BOLT, M8X 40 PLATED	5							
33	1	26106-080702	BOLT, M8X 70 PLATED	6							
34	1	129900-14140	BEARING, BALL 6205	1							
35	1	129900-26250	BEARING, BALL 6206C3	2							

OCD50-M02280 ENGINE
 Fig.3. OIL SUMP

OCD50-M02280 Fig.3

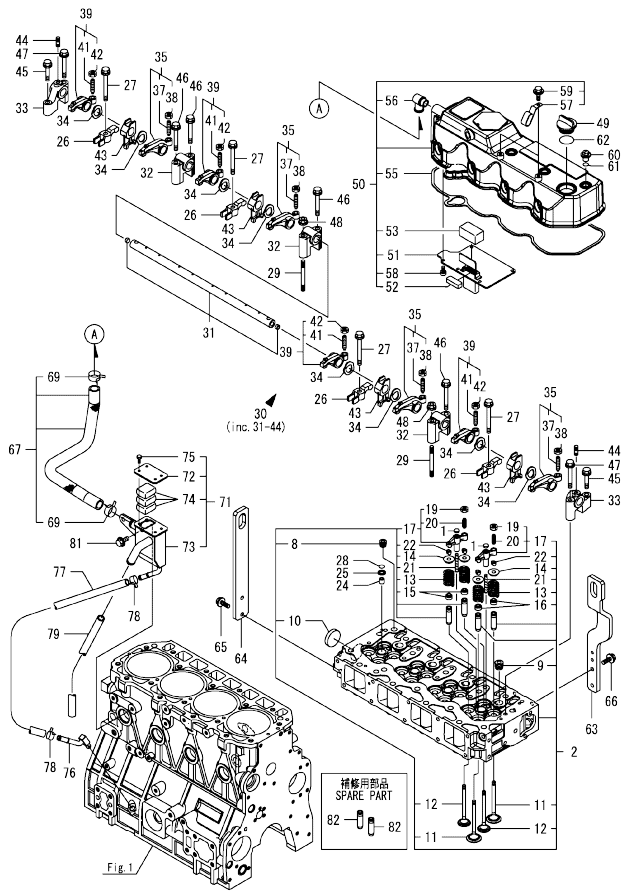


(A)=4TNV98T-ZCNLSC
 (B)=
 (C)=

(D)=
 (E)=
 (F)=

No.	Lev.	Parts No.	Description	Q'ty						I	R
				(A)	(B)	(C)	(D)	(E)	(F)		
1	1	129974-01721	OIL PAN ASSY	1							
7	1	129966-39910	HOSE ASSY, OIL DRAIN	1							
8	2	129966-39920	HOSE, DRAIN	1							
10	2	23001-022000	CLAMP, HOSE 22	1							
11	1	23001-022000	CLAMP, HOSE 22	1							
12	1	26106-080122	BOLT, M8X 12 PLATED	16							
13	1	129100-01580	PIN, PARALLEL 8X16	2							
14	1	129966-01650	CASE ASSY, OIL SEAL	1							
16	2	129916-01790	SEAL, D115/95XT11	1							
17	1	129486-01670	BOLT, M8X30	6							

Fig.4. CYLINDER HEAD & BONNET



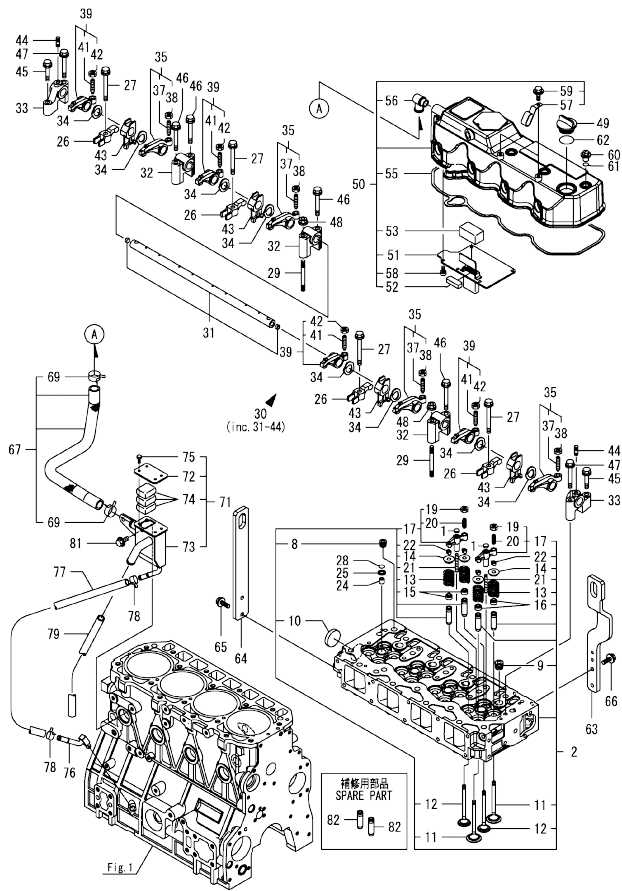
(A)=4TNV98T-ZCNLSC
(B)=
(C)=

(D)=
(E)=
(F)=

No.	Lev.	Parts No.	Description	Q'ty						I	R
				(A)	(B)	(C)	(D)	(E)	(F)		
1	1	123907-11550	SEAT, VALVE BRIDGE	8							
2	1	129928-11710	HEAD ASSY, CYLINDER	1							
8	2	23876-020000	PLUG, R02	1							
9	2	23876-030000	PLUG, R03	4							
10	2	27241-400000	PLUG, 40	1							
11	2	129985-11100	VALVE, INTAKE	8							
12	2	129907-11110	VALVE, EXHAUST	8							
13	2	129907-11120	SPRING, VALVE	16							
14	2	119620-11180	RETAINER, SPRING	16							
15	2	119803-11340	SEAL, VALVE STEM	8							
16	2	124160-11340	SEAL, VALVE STEM	8							
17	2	129907-11510	BRIDGE ASSY, VALVE	8							
19	3	129150-11750	NUT, M8	8							
20	3	123907-11830	ADJUSTER	8							
21	2	123907-11820	GUIDE, BRIDGE	8							
22	2	27310-070001	COTTER, 7	16							
24	1	119802-11870	PROTECTOR, NOZZLE	4							
25	1	119625-11880	SEAT, NOZZLE	4							
26	1	129907-11910	RETAINER, NOZZLE	4							
27	1	129907-11950	BOLT, M8X75	4							
28	1	24311-000120	O-RING, 1AP12.0	4							
29	1	119593-11301	BOLT, STUD M8X80	2							
30	1	129907-11341	SHAFT ASSY, ROCKER	1							
31	2	129907-11250	SHAFT, ROCKER ARM	1							
32	2	129907-11260	SUPPORT, ROCKER ARM	3							
33	2	129907-11270	SUPPORT, ROCKER ARM	2							
34	2	123907-11280	WASHER	8							
35	2	129907-11650	ARM ASSY, ROCKER	4							
37	3	129150-11230	SCREW, VALVE ADJUST	4							
38	3	129150-11750	NUT, M8	4							
39	2	129907-11660	ARM ASSY, ROCKER	4							
41	3	129150-11230	SCREW, VALVE ADJUST	4							
42	3	129150-11750	NUT, M8	4							
43	2	129907-11920	RETAINER, NOZZLE	4							
44	2	26226-080222	STUD, M8X 22	2							
45	1	26106-080402	BOLT, M8X 40 PLATED	2							
46	1	26106-080602	BOLT, M8X 60 PLATED	4							
47	1	26106-080602	BOLT, M8X 60 PLATED	2							
48	1	26306-080002	NUT, M8	2							
49	1	124160-01751	CAP, FILLER	1							
50	1	129948-11300	BONNET ASSY, HEAD	1							
51	2	129907-03011	PLATE, BAFFLE	1							
52	2	129907-03061	BAFFLE, BREATHER	1							
53	2	129907-03070	BAFFLE, BREATHER	1							
55	2	129933-11310	GASKET, BONNET	1							
56	2	119100-11330	ELBOW, BREATHER	1							
57	2	129509-79700	CLAMP, 140-M6	2							
58	2	22857-500100	SCREW, 5X10	6							
59	2	26106-060122	BOLT, M6X 12 PLATED	2							
60	1	124160-11360	KNOB	4							
61	1	24311-000120	O-RING, 1AP12.0	4							

Remarks
(1) Spare parts.

Fig.4. CYLINDER HEAD & BONNET



(A)=4TNV98T-ZCNLSC
(D)=
(E)=
(F)=

(D)=
(E)=
(F)=
Q'ty I R

No.	Lev.	Parts No.	Description	(A)	(B)	(C)	(D)	(E)	(F)	I	R
62	1	24311-000320	O-RING, 1AP32.0	1							
63	1	129973-07910	LIFTER	1							
64	1	129973-07910	LIFTER	1							
65	1	26106-080202	BOLT, M8X 20 PLATED	2							
66	1	26106-080202	BOLT, M8X 20 PLATED	2							
67	1	129948-03080	HOSE ASSY, BREATHER	1							
69	2	129410-03990	CLAMP, HOSE 21.5	2							
71	1	129972-03240	SEPARATOR ASSY, MIST	1							
72	2	129972-03220	COVER, SEPARATOR	1							
73	2	129972-03230	SEPARATOR, MIST	1							
74	2	123901-03240	FILTER	3							
75	2	26116-050102	BOLT, M5X 10 PLATED	4							
76	1	129972-03280	JOINT, BREATHER	1							
77	1	129972-03310	HOSE	1							
78	1	23000-022000	CLAMP, 22	2							
79	1	23065-160250	PIPE, 16X 250	1							
81	1	26106-080142	BOLT, M8X 14 PLATED	2							
82	1	129907-11800	GUIDE, VALVE	16							1

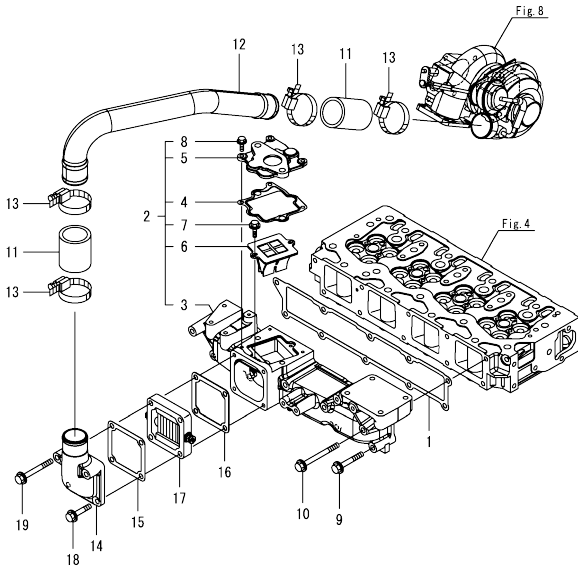
Remarks

(1)Spare parts.

Fig.5. SUCTION MANIFOLD

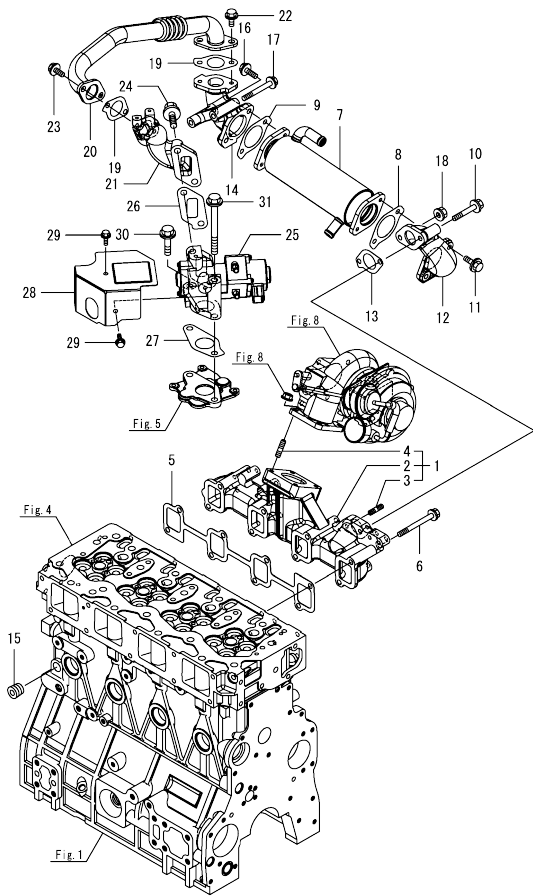
(A)=4TNV98T-ZCNLSC
(B)=
(C)=

(D)=
(E)=
(F)=



No.	Lev.	Parts No.	Description	Q'ty						I	R
				(A)	(B)	(C)	(D)	(E)	(F)		
1	1	129907-12110	GASKET, MANIFOLD	1							
2	1	129973-12161	MANIFOLD CMP,INTAKE	1							
3	2	129973-12102	MANIFOLD,INTAKE	1							
4	2	129973-12110	GASKET	1							
5	2	129973-12200	SPACER	1							
6	2	129928-13700	VALVE, LEAD	1							
7	2	26106-060142	BOLT, M6X 14 PLATED	2							
8	2	26106-060182	BOLT, M6X 18 PLATED	3							
9	1	26106-080552	BOLT, M8X 55 PLATED	5							
10	1	26106-080852	BOLT, M8X 85 PLATED	5							
11	1	123951-18220	JOINT, RUBBER	2							
12	1	129973-18250	DUCT, AIR	1							
13	1	23000-054000	CLAMP, 54	4							
14	1	129973-12850	BEND, INTAKE	1							
15	1	119129-77020	GASKET	1							
16	1	121850-77021	GASKET, AIR HEATER	1							
17	1	119005-77051	HEATER, AIR	1							
18	1	26106-080402	BOLT, M8X 40 PLATED	2							
19	1	26106-080702	BOLT, M8X 70 PLATED	2							

Fig.6. EXHAUST MANIFOLD

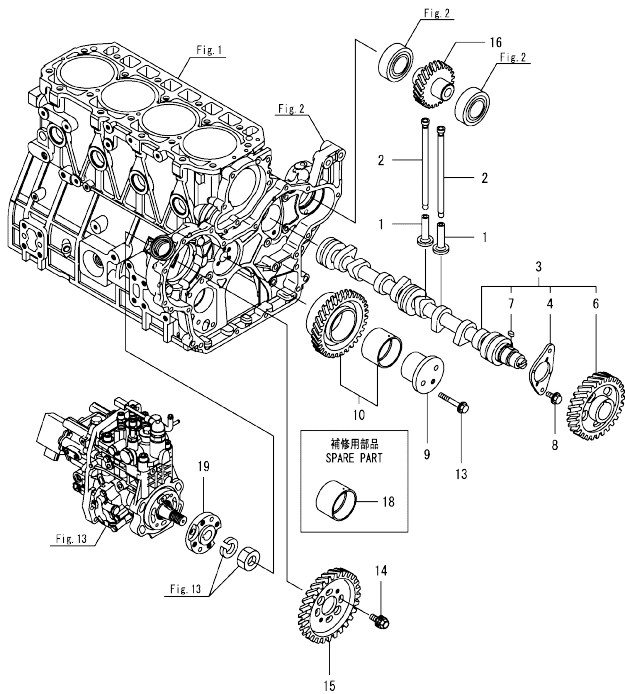


(A)=4TNV98T-ZCNLSC
(B)=
(C)=

(D)=
(E)=
(F)=

No.	Lev.	Parts No.	Description	Q'ty						I	R
				(A)	(B)	(C)	(D)	(E)	(F)		
1	1	129973-13160	MANIFOLD ASSY,EXH	1							
2	2	129973-13110	MANIFOLD, EXHAUST	1							
3	2	129418-18320	BOLT, STUD M8X20	1							
4	2	129418-18320	BOLT, STUD M8X20	4							
5	1	129900-13251	GASKET, EXH.MANIFOLD	1							
6	1	129E00-13640	BOLT, M8X80 10.9T	8							
7	1	129973-13400	COOLER, EGR	1							
8	1	129928-13410	GASKET	1							
9	1	129928-13410	GASKET	1							
10	1	129E00-13610	BOLT, M8X50 10.9	1							
11	1	119802-13791	BOLT, M8X25 10.9T	2							
12	1	129973-13801	BEND,EGR COOLER IN	1							
13	1	129927-13810	GASKET	1							
14	1	129973-13811	BEND,EGR COOLER OUT	1							
15	1	23876-030000	PLUG, R03	1							
16	1	26106-080222	BOLT, M8X 22 PLATED	2							
17	1	26106-080652	BOLT, M8X 65 PLATED	2							
18	1	26306-080002	NUT, M8	1							
19	1	129927-13810	GASKET	2							
20	1	129973-13820	PIPE ASSY	1							
21	1	129973-13840	PIPE	1							
22	1	26106-080162	BOLT, M8X 16 PLATED	2							
23	1	26106-080162	BOLT, M8X 16 PLATED	2							
24	1	26106-100302	BOLT, M10X 30 PLATED	2							
25	1	129927-13900	VALVE, EGR	1							
26	1	129927-13910	GASKET, EGR	1							
27	1	129927-13920	GASKET, EGR	1							
28	1	129973-13961	COVER	1							
29	1	26106-060162	BOLT, M6X 16 PLATED	2							
30	1	26106-100402	BOLT, M10X 40 PLATED	1							
31	1	26106-101052	BOLT, M10X105 PLATED	1							

Fig.7. CAMSHAFT & DRIVING GEAR



(A)=4TNV98T-ZCNLSC
(B)=
(C)=

(D)=
(E)=
(F)=

No.	Lev.	Parts No.	Description	Q'ty						I	R
				(A)	(B)	(C)	(D)	(E)	(F)		
1	1	129150-14200	TAPPET	8							
2	1	129907-14400	PUSH-ROD	8							
3	1	129908-14581	CAMSHAFT ASSY	1							
4	2	129150-02450	BEARING, THRUST	1							
6	2	129900-14100	GEAR, CAMSHAFT	1							
7	2	22512-070140	KEY, 7X 14	1							
8	1	26106-080142	BOLT, M8X 14 PLATED	2							
9	1	123900-25060	SHAFT, IDLE GEAR	1							
10	1	129900-25100	GEAR ASSY, IDLE	1							
13	1	26106-080552	BOLT, M8X 55 PLATED	3							
14	1	129953-25300	BOLT	4							
15	1	129907-25900	GEAR, PUMP	1							
16	1	129900-26000	GEAR ASSY, PUMP	1							
18	1	129150-25920	BUSH, IDLE GEAR	1							1
19	1	158563-51150	FLANGE	1							

Remarks

(1)Spare parts.

OCD50-M02280 ENGINE
 Fig.8. TURBINE

OCD50-M02280 Fig.8

(A)=4TNV98T-ZCNLSC
 (B)=
 (C)=

(D)=
 (E)=
 (F)=

No.	Lev.	Parts No.	Description	Q'ty						I	R
				(A)	(B)	(C)	(D)	(E)	(F)		
1	1	129908-18010	TURBOCHARGER, RHF5	1							
2	1	129472-18090	GASKET	1							
3	1	26306-080002	NUT, M8	4							

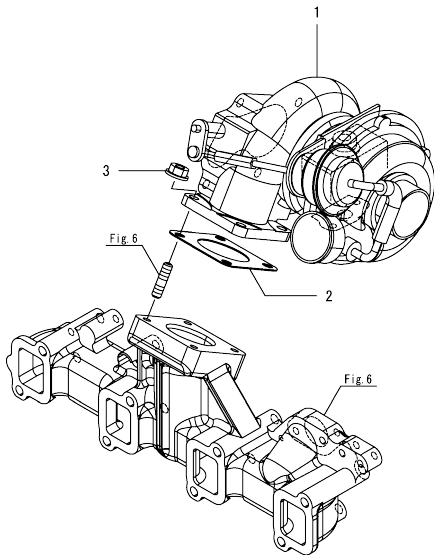
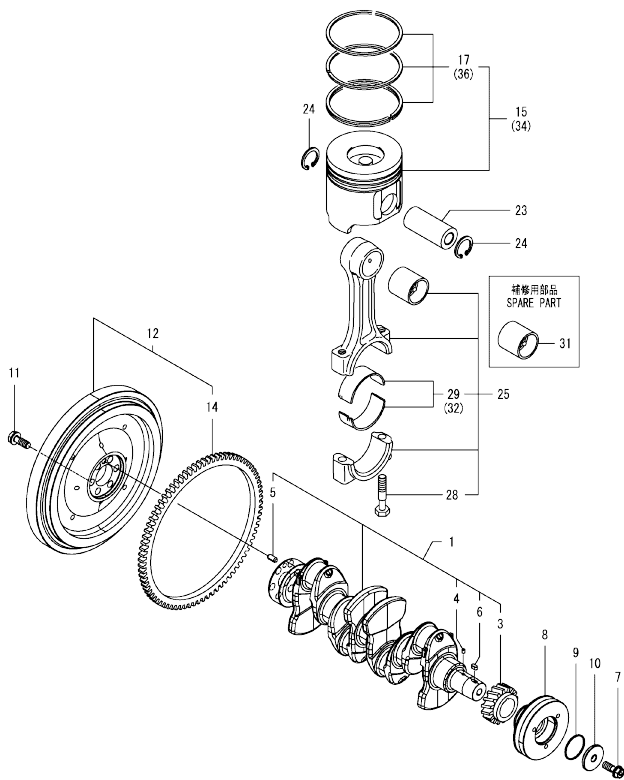


Fig.9. CRANKSHAFT & PISTON



(A)=4TNV98T-ZCNLSC
(B)=
(C)=

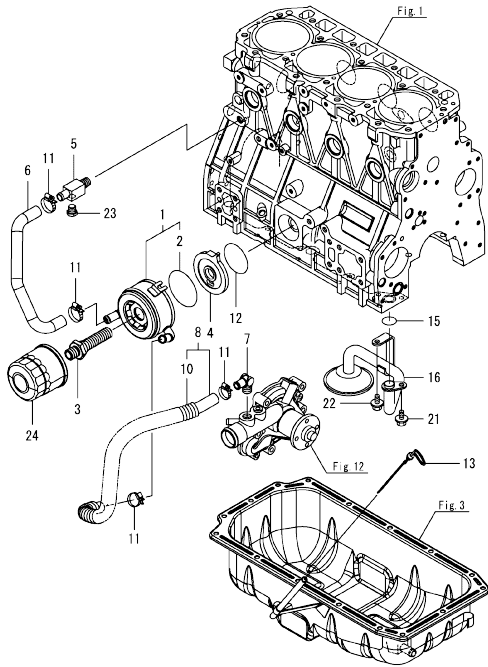
(D)=
(E)=
(F)=

No.	Lev.	Parts No.	Description	Q'ty						I	R
				(A)	(B)	(C)	(D)	(E)	(F)		
1	1	129908-21000	CRANKSHAFT ASSY	1							
3	2	129900-21200	GEAR, CRANKSHAFT	1							
4	2	121850-21290	PIN	1							
5	2	121850-21920	PIN, PARALLEL 10X22	1							
6	2	22512-070140	KEY, 7X 14	1							
7	1	129916-21610	BOLT	1							
8	1	129907-21650	V-PULLEY, CRANK 130	1							
9	1	129960-21930	GASKET, WASHER	1							
10	1	129960-21940	WASHER, V-PULLEY	1							
11	1	121850-21130	BOLT, FLYWHEEL	6							
12	1	129960-21590	FLYWHEEL ASSY	1							
14	2	129900-21600	GEAR, RING	1							
15	1	129928-22080	PISTON ASSY	4							
17	2	129927-22050	RING SET, PISTON	4							
23	1	120130-22301	PIN, PISTON	4							
24	1	22252-000300	RING, 30	8							
25	1	129900-23001	ROD ASSY, CONNECTING	4							
28	2	129900-23200	BOLT, CONNECTING ROD	8							
29	2	129900-23601	BEARING, CRANK PIN	4							
31	1	129900-23911	BEARING, PISTON PIN	4							1
32	1	129900-23611	BEARING ASSY, 0.25US	4							2
34	1	729928-22900	PISTON ASSY, 0.25 OS	4							3
36	2	729927-22950	RING SET, 0.25 OS	4							3

Remarks

- (1)Spare parts.
- (2)Under-sized(U.S.=0.25) parts.
- (3)Over-sized(O.S.=0.25) parts.

Fig.10. LUB. OIL SYSTEM



(A)=4TNV98T-ZCNLSC
(B)=
(C)=

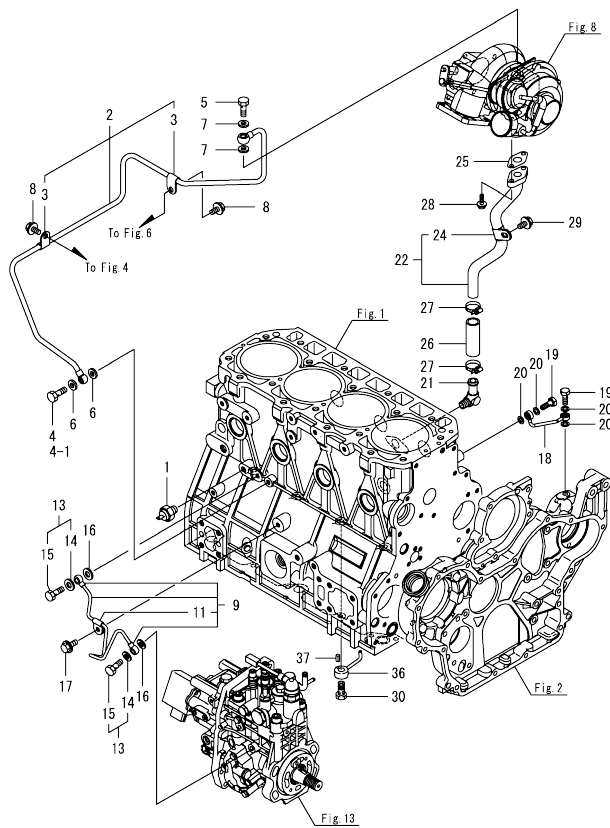
(D)=
(E)=
(F)=

No.	Lev.	Parts No.	Description	Q'ty						I	R
				(A)	(B)	(C)	(D)	(E)	(F)		
1	1	129908-33010	COOLER ASSY, OIL	1							
2	2	123912-33050	O-RING	1							
3	1	123912-33100	BOLT, COOLER	1							
4	1	129908-33101	BRACKET, OIL COOLER	1							
5	1	129006-44480	JOINT	1							
6	1	129908-49060	HOSE, WATER	1							
7	1	129466-49300	ELBOW, PT3/8	1							
8	1	123910-49600	HOSE ASSY WATER	1							
10	2	123910-49610	TUBE, CORRUGATED	1							
11	1	23000-025000	CLAMP, 25	4							
12	1	24321-000600	O-RING, 1AG60.0	1							
13	1	129974-34800	DIPSTICK	1							
15	1	129900-32030	O-RING, P20	1							
16	1	129930-35000	PIPE ASSY, OIL INLET	1							
21	1	26106-080122	BOLT, M8X 12 PLATED	1							
22	1	26106-080122	BOLT, M8X 12 PLATED	1							
23	1	171056-49120	PLUG, DRAIN R1/4	1							
24	1	129150-35153	FILTER ASSY, D80X80L	1							1

Remarks

(1)Spare parts.

Fig.11. LUB. OIL PIPE

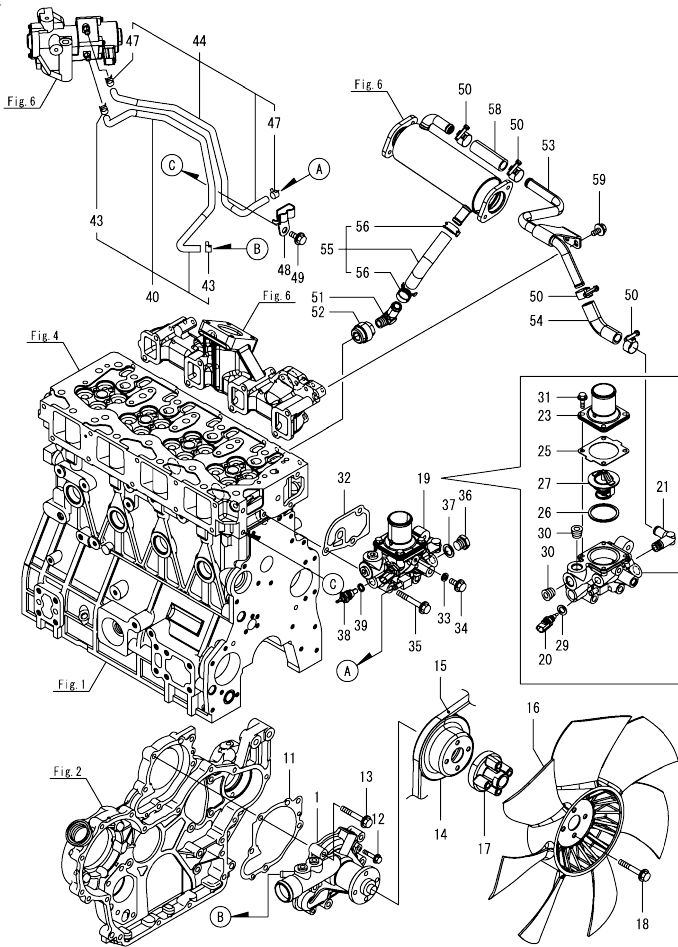


(A)=4TNV98T-ZCNLSC
(B)=
(C)=

(D)=
(E)=
(F)=

No.	Lev.	Parts No.	Description	Q'ty						I	R
				(A)	(B)	(C)	(D)	(E)	(F)		
1	1	119761-39450	SWITCH, HYDRAULIC	1							
2	1	129973-39070	PIPE ASSY, OIL	1							
3	2	124223-39900	RETAINER	2							
4	1	105010-39140	BOLT, PIPE JOINT	1							
4-1	1	129198-59540	BOLT, PIPE JOINT M8	1							S
(A="2020.06)											
5	1	121252-39150	BOLT, JOINT M10X1.5	1							
6	1	22190-080002	WASHER, SEAL 8	2							
7	1	23414-100000	GASKET, 10X1.0	2							
8	1	26106-080122	BOLT, M8X 12 PLATED	2							
9	1	129927-39060	PIPE ASSY, OIL	1							
11	2	123907-39500	RETAINER, PIPE	1							
13	1	129005-59830	BOLT ASSY, JOINT M8	2							
14	2	22190-080002	WASHER, SEAL 8	2							
15	2	23857-030000	BOLT, JOINT 3	2							
16	1	22190-080002	WASHER, SEAL 8	2							
17	1	26106-080122	BOLT, M8X 12 PLATED	1							
18	1	129930-39050	PIPE, OIL	1							
19	1	105010-39140	BOLT, PIPE JOINT	2							
20	1	22190-080002	WASHER, SEAL 8	4							
21	1	124070-13300	ELBOW, PT3/8	1							
22	1	129973-39670	PIPE ASSY, OIL	1							
24	2	123910-39850	RETAINER	1							
25	1	129908-39690	GASKET	1							
26	1	129974-39820	HOSE, LO RETURN	1							
27	1	23000-025000	CLAMP, 25	2							
28	1	26106-060162	BOLT, M6X 16 PLATED	2							
29	1	26106-080122	BOLT, M8X 12 PLATED	1							
30	1	129908-39410	VALVE ASSY, CHECK	4							
36	1	119000-39650	NOZZLE, COOLING	4							
37	1	22351-030010	PIN, SPRING 3.0X10	4							

Fig.12. COOLING WATER SYSTEM



(A)=4TNV98T-ZCNLSC
(B)=
(C)=

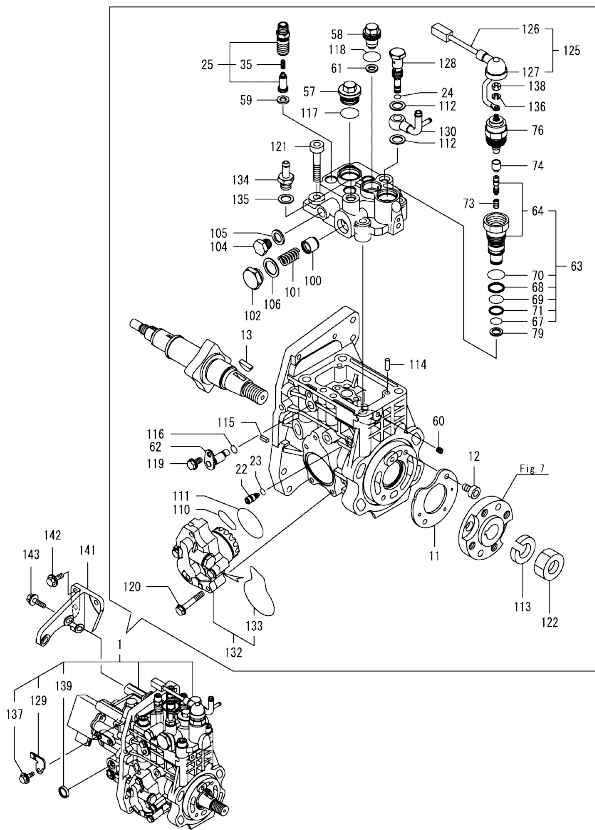
(D)=
(E)=
(F)=

No.	Lev.	Parts No.	Description	Q'ty						I	R
				(A)	(B)	(C)	(D)	(E)	(F)		
1	1	129927-42001	PUMP ASSY, WATER	1							
11	1	129900-42020	GASKET, WATER PUMP	1							
12	1	26106-060302	BOLT, M6X 30 PLATED	2							
13	1	26106-080552	BOLT, M8X 55 PLATED	5							
14	1	129930-42450	V-PULLEY, C.W.PUMP	1							
15	1	25152-004400	V-BELT, A44	1							
16	1	129907-44740	FAN, COOLING D430X7	1							
17	1	119141-44760	SPACER, FAN	1							
18	1	26106-080552	BOLT, M8X 55 PLATED	4							
19	1	129949-49850	CASE ASSY,THERMOSTAT	1							
20	2	129927-44900	SENSOR, WATER TEMP.	1							
21	2	129973-49400	ELBOW, R3/8	1							
23	2	129916-49530	COVER, THERMOSTAT	1							
25	2	121850-49540	GASKET, THERMOSTAT	1							
26	2	121850-49550	GASKET, THERMOSTAT	1							
27	2	121850-49811	THERMOSTAT, 71C	1							
29	2	22190-120002	WASHER, SEAL 12	1							
30	2	23875-030000	PLUG, R03	2							
31	2	26106-060202	BOLT, M6X 20 PLATED	4							
32	1	129900-49870	GASKET, THERMOSTAT	1							
33	1	23414-080000	GASKET, 8X1.0	1							
34	1	26106-080122	BOLT, M8X 12 PLATED	1							
35	1	26106-080602	BOLT, M8X 60 PLATED	3							
36	1	121450-42450	PLUG, M16	1							
37	1	124465-44950	GASKET, 16	1							
38	1	124250-49351	SENSOR, WATER TEMP.	1							
39	1	129150-49360	GASKET	1							
40	1	129968-49610	PIPE, WATER	1							
43	2	23080-012000	CLAMP, 12	2							
44	1	129968-49620	PIPE, WATER	1							
47	2	23080-012000	CLAMP, 12	2							
48	1	129968-49850	RETAINER, PIPE	1							
49	1	26106-080142	BOLT, M8X 14 PLATED	1							
50	1	23000-022000	CLAMP, 22	4							
51	1	124070-13300	ELBOW, PT3/8	1							
52	1	129973-49110	JOINT	1							
53	1	129973-49640	PIPE, WATER	1							
54	1	129973-49680	PIPE, WATER	1							
55	1	129973-49740	PIPE ASSY, WATER	1							
56	2	129960-03990	CLAMP, HOSE 19.8	2							
58	1	129973-49780	JOINT	1							
59	1	26106-080162	BOLT, M8X 16 PLATED	2							

Fig.13. FUEL INJECTION PUMP

(A)=4TNV98T-ZCNLSC
(B)=
(C)=

(D)=
(E)=
(F)=



No.	Lev.	Parts No.	Description	Q'ty						I	R
				(A)	(B)	(C)	(D)	(E)	(F)		
1	1	729974-51410	FIE ASSY	1							1
11	2	129928-51900	COVER	1							
12	2	129008-51920	BOLT, SOCKET M6X10	2							
13	2	144626-51090	FEATHER KEY, 5X19	1							
22	2	158600-51270	STOPPER, TAPPET	1							
23	2	158563-51281	O-RING, 4D S6	1							
24	2	158563-51281	O-RING, 4D S6	1							
25	2	129928-51390	VALVE ASSY, DELIVERY	4							
35	3	158563-51330	SPRING, DELIVERY	4							
57	2	158601-51550	PLUG, M22	1							
58	2	129907-51560	PLUG, M16	1							
59	2	158552-51571	GASKET, PLUG	4							
60	2	158557-51570	PLUG, RACK	1							
61	2	129906-51580	GASKET, PLUG	1							
62	2	158552-51580	LIFTER, LINK	1							
63	2	129657-51590	TIMER ASSY	1							
64	3	129657-51600	TIMER ASSY	1							
67	3	158553-51670	O-RING	1							
68	3	119802-51680	RING, BACKUP	1							
69	3	119802-51690	O-RING	1							
70	3	24356-190200	O-RING, 4D19020	1							
71	3	24372-000150	RING, BACK UP T2P15	1							
73	2	119852-51630	SPRING, TIMER	1							
74	2	119852-51640	CAP, TIMER	1							
76	2	119852-51650	VALVE ASSY, SOLENOID	1							
79	2	158553-51680	GASKET, TIMER	1							
100	2	158601-51770	PISTON, ACCUMULATOR	1							
101	2	158552-51781	SPRING, ACCUMULATOR	1							
102	2	158601-51790	PLUG	1							
104	2	158553-51930	PLUG, M12	1							
105	2	22190-120002	WASHER, SEAL 12	1							
106	2	22190-180002	WASHER, SEAL 18	1							
110	2	158552-52311	O-RING	1							
111	2	158552-52400	O-RING, 4E S42	1							
112	2	22190-120002	WASHER, SEAL 12	2							
113	2	22217-180000	WASHER, SPRING 18	1							
114	2	22312-050140	PIN, PARALLEL 5X14	2							
115	2	22351-050010	PIN, SPRING 5.0X10	2							
116	2	24311-000070	O-RING, 1AP7.0	1							
117	2	24356-190200	O-RING, 4D19020	1							
118	2	24356-240210	O-RING, 4D24021	1							
119	2	26106-060102	BOLT, M6X 10 PLATED	1							
120	2	26106-060352	BOLT, M6X 35 PLATED	4							
121	2	26450-100452	BOLT, M10X 45	4							
122	2	26776-180002	NUT, LOCK M18	1							
125	2	129927-51650	HARNES ASSY, WIRE	1							
126	3	129927-51660	HARNES	1							
127	3	129263-77941	CAP, RUBBER	1							
128	2	158601-51650	JOINT, OVER FLOW	1							
129	2	129927-51670	BRACKET	1							
130	2	158552-51670	JOINT, OVER FLOW	1							

Remarks

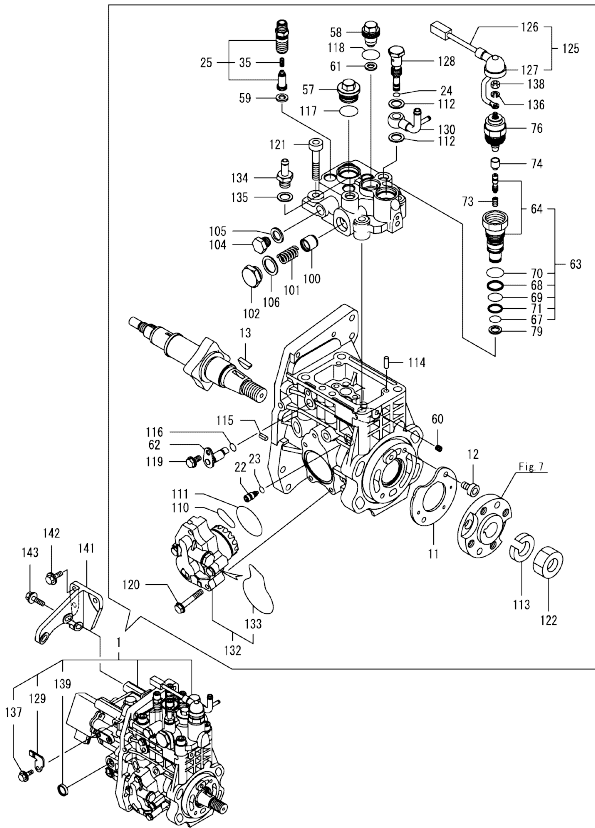
(1)Governor(Fig.14) is incorporated in this Fuel Injection Pump(No.1).
(1)Eco pump
Make sure to update the engines ECU information when replacing the Eco pump.
Failing to do so will result in engine malfunction.

Fig.13. FUEL INJECTION PUMP

(A)=4TNV98T-ZCNLSC
(B)=
(C)=

(D)=
(E)=
(F)=

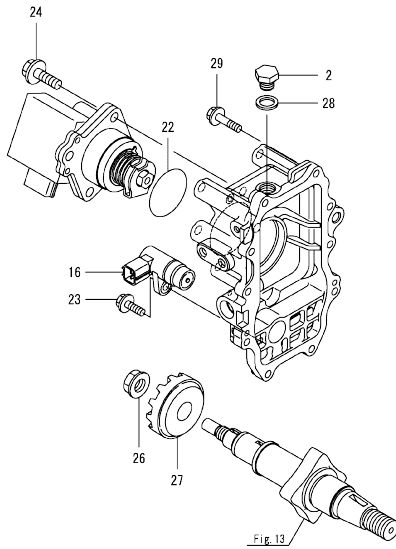
No.	Lev.	Parts No.	Description	Q'ty					
				(A)	(B)	(C)	(D)	(E)	(F)
132	2	158552-52100	PUMP ASSY, FUEL FEED	1					
133	3	158552-52500	O-RING	1					
134	2	119934-59910	JOINT, PIPE	1					
135	2	22190-120002	WASHER, SEAL 12	1					
136	2	22217-050000	WASHER, SPRING 5	1					
137	2	26106-060122	BOLT, M6X 12 PLATED	1					
138	2	26716-050002	NUT, M5	1					
139	2	27241-160000	PLUG, 16	1					
141	1	129927-51250	RETAINER, PUMP	1					
142	1	26106-080202	BOLT, M8X 20 PLATED	3					
143	1	26106-080302	BOLT, M8X 30 PLATED	3					



Remarks
 (1)Governor(Fig.14) is incorporated in this Fuel Injection Pump(No.1).
 (1)Eco pump
 Make sure to update the engines ECU information when replacing the Eco pump.
 Failing to do so will result in engine malfunction.

OCD50-M02280 ENGINE
 Fig.14. GOVERNOR

OCD50-M02280 Fig.14



(A)=4TNV98T-ZCNLSC
 (B)=
 (C)=

(D)=
 (E)=
 (F)=

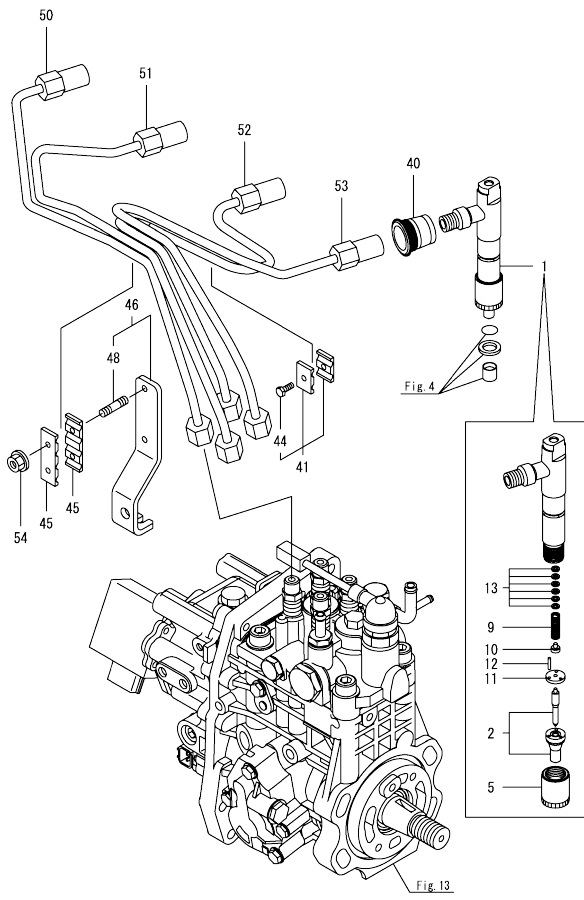
No.	Lev.	Parts No.	Description	Q'ty						I	R
				(A)	(B)	(C)	(D)	(E)	(F)		
2	2	158553-51930	PLUG, M12	1							
16	2	158557-61720	SENSOR	1							
22	2	24341-000480	O-RING, 1AS48.0	1							
23	2	26106-060162	BOLT, M6X 16 PLATED	1							
24	2	26106-080252	BOLT, M8X 25 PLATED	3							
26	2	129008-61301	NUT	1							
27	2	158553-61780	GEAR, SENSOR	1							
28	2	22190-120002	WASHER, SEAL 12	1							
29	2	26106-060252	BOLT, M6X 25 PLATED	10							

Remarks

* This figure(Governor) is incorporated in the Fuel Injection Pump(Fig.13).

N:Old $\frac{100}{100}$ New, Q:Old $\frac{100}{100}$ New, R:Old $\frac{100}{100}$ New, S:Old $\frac{100}{100}$ New, W:Add, Z:Discontinued, F:Interchangeable by set, K:Q'ty Change
 Copyright (C) 2016 YANMAR GLOBAL CS CO., LTD. All Rights Reserved.

Fig.15. FUEL INJECTION VALVE

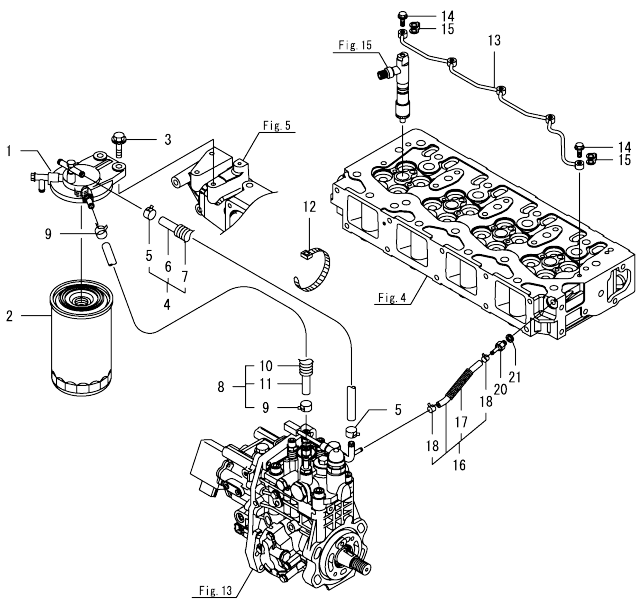


(A)=4TNV98T-ZCNLSC
(B)=
(C)=

(D)=
(E)=
(F)=

No.	Lev.	Parts No.	Description	Q'ty					
				(A)	(B)	(C)	(D)	(E)	(F)
1	1	729928-53100	FUEL INJECTOR ASSY	4					
2	2	129928-53000	NOZZLE ASSY, F.I.	4					
5	2	114250-53080	NUT, NOZZLE	4					
9	2	114250-53120	SPRING, NOZZLE	4					
10	2	114250-53130	SEAT, SPRING	4					
11	2	114250-53140	SPACER	4					
12	2	114250-53210	PIN	8					
13	2	119803-53400	SHIM SET	4					
40	1	123907-11601	SEAL, PIPE	4					
41	1	119305-59120	RETAINER, PIPE	1					
44	2	129150-59131	BOLT, M4X14	1					
45	1	123472-59120	RETAINER, PIPE	2					
46	1	129973-59700	SUPPORT ASSY	1					
48	2	26216-060202	STUD, M6X 20	2					
50	1	129973-59810	PIPE ASSY, INJECTION	1					
51	1	129973-59820	PIPE ASSY, INJECTION	1					
52	1	129973-59830	PIPE ASSY, INJECTION	1					
53	1	129973-59840	PIPE ASSY, INJECTION	1					
54	1	26366-060002	NUT, M6	2					

Fig.16. FUEL PIPE

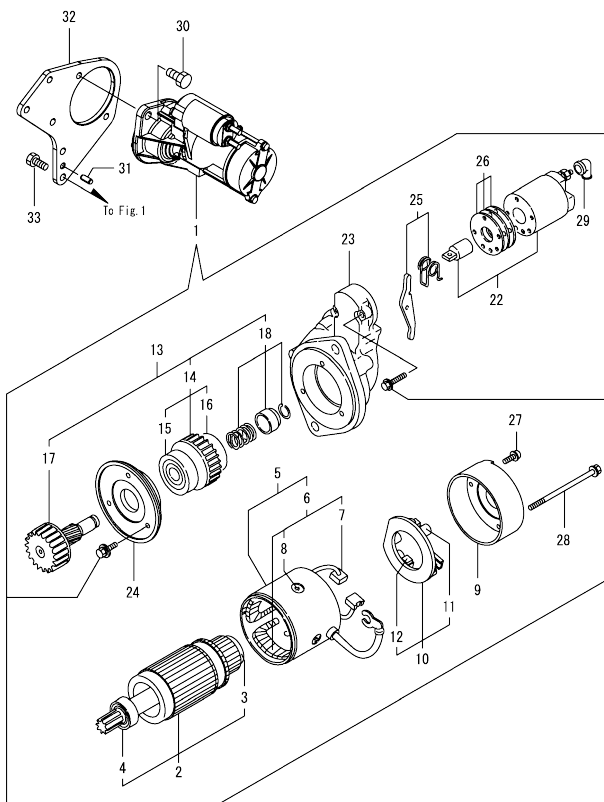


(A)=4TNV98T-ZCNLSC
(B)=
(C)=

(D)=
(E)=
(F)=

No.	Lev.	Parts No.	Description	Q'ty						I	R
				(A)	(B)	(C)	(D)	(E)	(F)		
1	1	129004-55612	BRACKET, FILTER	1							
2	1	129907-55801	FILTER, FUEL	1							
3	1	26106-080302	BOLT, M8X 30 PLATED	2							
4	1	129467-59010	HOSE ASSY, FUEL	1							
5	2	124766-59050	CLAMP, HOSE 11.5	2							
6	2	129335-59090	HOSE, FUEL D13X500	1							
7	2	119560-59110	TUBE, CORRUGATED 15	1							
8	1	129950-59211	HOSE ASSY, FUEL	1							
9	2	124766-59050	CLAMP, HOSE 11.5	2							
10	2	129950-59221	TUBE, CORRUGATED 15	1							
11	2	105025-59530	HOSE, FUEL D13X400	1							
12	1	121750-59890	BAND, NYLON	1							
13	1	129907-59140	PIPE ASSY, RETURN	1							
14	1	123907-59540	BOLT, PIPE JOINT M6	5							
15	1	123907-59550	GASKET	5							
16	1	129927-59550	HOSE ASSY, RETURN	1							
17	2	129263-49750	TUBE, CORRUGATED	1							
18	2	124722-59050	CLAMP, HOSE 9	2							
20	1	123907-59560	JOINT, HOSE	1							
21	1	22190-080002	WASHER, SEAL 8	1							

Fig.17. STARTER MOTOR

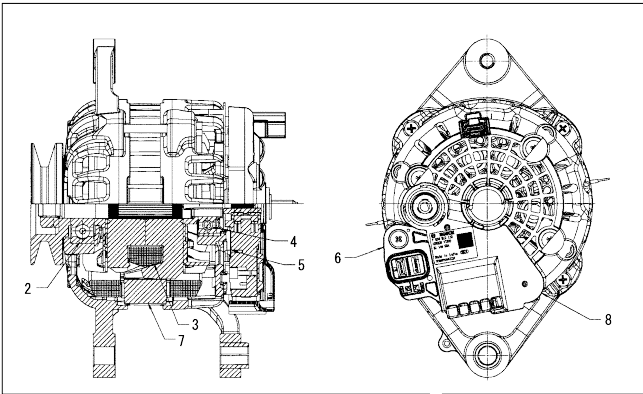


(A)=4TNV98T-ZCNLSC
(B)=
(C)=

(D)=
(E)=
(F)=

No.	Lev.	Parts No.	Description	Qty						I	R
				(A)	(B)	(C)	(D)	(E)	(F)		
1	1	129900-77040	STARTER ASSY	1							
2	2	129900-77120	ARMATURE ASSY	1							
3	3	171008-77410	BEARING, BALL	1							
4	3	171008-77420	BEARING, BALL	1							
5	2	129900-77130	YOKE ASSY	1							
6	3	129900-77140	COIL ASSY, FIELD	1							
7	4	129900-77450	BRUSH	2							
8	4	171008-77450	SCREW, CORE SET	4							
9	2	129900-77150	COVER	1							
10	2	129900-77160	HOLDER ASSY, BRUSH	1							
11	3	X2130631300	SPRING, BRUSH	4							
12	3	129900-77450	BRUSH	2							
13	2	129900-77170	CLUTCH ASSY	1							
14	3	129900-77180	CLUTCH ASSY	1							
15	4	129900-77190	BEARING, BALL	1							
16	4	X2114955020	BEARING, BALL	1							
17	3	129900-77270	SHAFT, PINION	1							
18	3	171008-77670	STOPPER SET, PINION	1							
22	2	129900-77280	SWITCH ASSY, MAGNET	1							
23	2	129900-77290	CASE, GEAR	1							
24	2	129900-77380	RETAINER, BEARING	1							
25	2	129900-77390	LEVER ASSY, SHIFT	1							
26	2	129900-77420	COVER KIT, DUST	1							
27	2	129900-77430	SCREW, M4X10	2							
28	2	129685-77640	BOLT, THROUGH	2							
29	2	171008-77750	COVER, TERMINAL	1							
30	1	26116-120202	BOLT, M12X 20 PLATED	2							
31	1	129100-01580	PIN, PARALLEL 8X16	1							
32	1	129960-77410	BRACKET, STARTER	1							
33	1	26206-100202	BOLT, M10X 20 PLATED	5							

Fig.18. GENERATOR



(A)=4TNV98T-ZCNLSC
(B)=
(C)=

(D)=
(E)=
(F)=

No.	Lev.	Parts No.	Description	Q'ty						I	R
				(A)	(B)	(C)	(D)	(E)	(F)		
1	1	129908-77200	ALTERNATOR 12V	1							
2	2	129908-77730	BEARING, BALL RR	1							
3	2	129908-77720	ROTOR	1							
4	2	129908-77710	BEARING, BALL FR	1							
5	2	129908-77740	RECTIFIER	1							
6	2	129908-77770	PROTECTOR	1							
7	2	129908-77750	REGULATOR	1							
8	2	129908-77760	STATOR	1							
9	1	129908-77220	BOLT, STOPPER M10	1							
10	1	129908-77360	PIECE, DISTANCE	1							
11	1	26306-100002	NUT, M10	1							
12	1	129953-77320	ADJUSTER	1							
13	1	119810-77340	BOLT, ADJUST L=30	1							
14	1	26014-080252	BOLT, M8X 25	1							

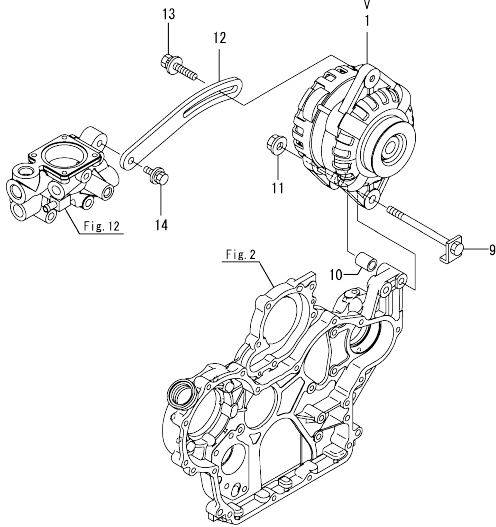
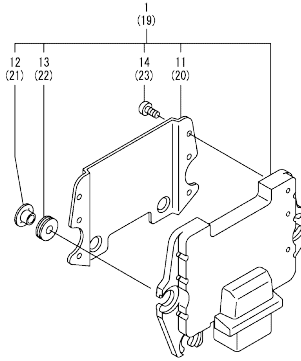


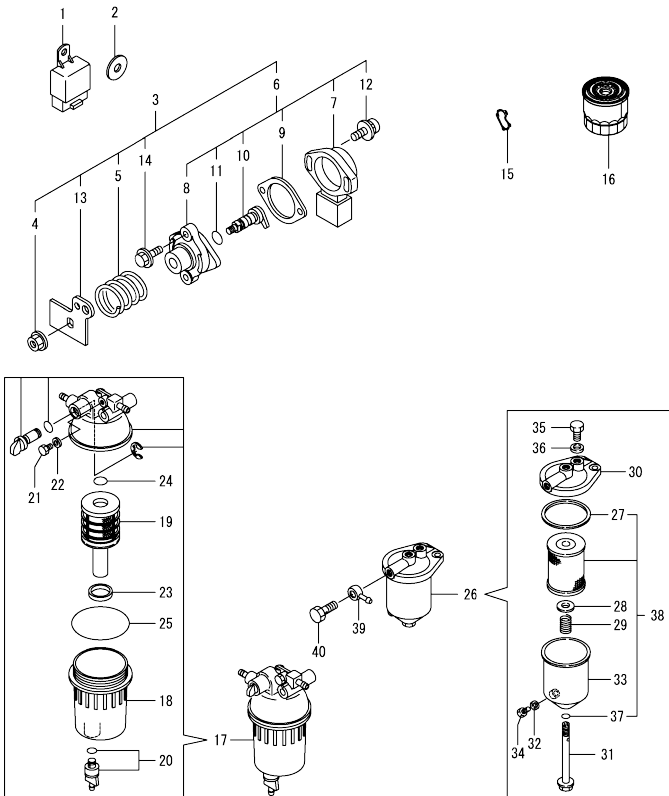
Fig.19. ELECTRONIC CONTROL UNIT(ECU)



No.	Lev.	Parts No.	Description	Q'ty						I	R
				(A)	(B)	(C)	(D)	(E)	(F)		
1	1	129975-75040	ECU ASSY,498T-ZCNLSC	1							1
11	2	129927-77600	SHIELD, ECU	1							
12	2	129927-77680	COLLAR, CONTROL	3							
13	2	119578-91351	ABSORBER	3							
14	2	22877-500080	SCREW, 5X 8	6							
19	1	129927-75900	ECU ASSY, SERVICE	1							2
20	2	129927-77600	SHIELD, ECU	1							
21	2	129927-77680	COLLAR, CONTROL	3							
22	2	119578-91351	ABSORBER	3							
23	2	22877-500080	SCREW, 5X 8	6							

Remarks
 (1)Eco ECU
 This part cannot be ordered.
 Replace the part using a Service ECU with the proper engine information installed.
 (2)Service ECU
 If the proper information is not installed, the engine will not operate.
 To install proper information, go to an authorized distributor.

Fig.20. ELECTRIC PARTS



(A)=4TNV98T-ZCNLSC
(B)=
(C)=

(D)=
(E)=
(F)=

No.	Lev.	Parts No.	Description	Qty						I	R
				(A)	(B)	(C)	(D)	(E)	(F)		
1	1	172B02-17150	RELAY,CA C TYPE	2							
2	1	129927-77690	WASHER, ECU	3							
3	1	129938-77800	SENSOR ASSY, ACCEL	1							
4	2	194990-22130	NUT, M6	1							
5	2	119060-61990	SPRING, RETURN	1							
6	2	129054-77800	SENSOR ASSY, ACCEL	1							
7	3	185100-50070	BODY	1							
8	3	129054-77811	SUPPORT, SENSOR	1							
9	3	129054-77820	GASKET	1							
10	3	129054-77830	SHAFT ASSY	1							
11	3	24311-000070	O-RING, 1AP7.0	1							
12	3	26023-040202	SCREW, M4X20	2							
13	2	129938-77810	LEVER, SENSOR	1							
14	2	26106-060122	BOLT, M6X 12 PLATED	2							
15	1	123901-18080	GASKET	1							
16	1	129150-35153	FILTER ASSY, D80X80L	1							
17	1	129242-55701	SEPARATOR ASSY,WATER	1							
18	2	129242-55720	CUP, SEPARATOR	1							
19	2	129242-55730	ELEMENT, FUEL	1							
20	2	129242-55740	PLUG, DRAIN	1							
21	2	129242-55750	VALVE, AIR VENT	1							
22	2	129242-55760	GASKET, PLUG	1							
23	2	129242-55770	FLOAT	1							
24	2	24311-000160	O-RING, 1AP16.0	1							
25	2	24321-000750	O-RING, 1AG75.0	1							
26	1	129065-55750	SEPARATOR ASSY,WATER	1							
27	2	123325-35140	GASKET	1							
28	2	123325-35160	WASHER	1							
29	2	129065-55170	SPRING, FILTER	1							
30	2	129495-55610	BODY, STRAINER	1							
31	2	129495-55620	BOLT	1							
32	2	123672-55760	GASKET	1							
33	2	129065-55760	CASE, SEPARATOR	1							
34	2	129065-55770	PLUG, DRAIN M8	1							
35	2	129065-55800	PLUG, M14	1							
36	2	123678-55890	GASKET, PLUG	1							
37	2	24311-000120	O-RING, 1AP12.0	1							
38	2	41650-550800	ELEMENT, FUEL	1							
39	1	121855-59880	JOINT, PIPE	2							
40	1	23857-080000	BOLT, JOINT 8	2							

Parts No. Index

Parts No.	Fig. No.	Ref. No.	Parts No.	Fig. No.	Ref. No.	Parts No.	Fig. No.	Ref. No.	Parts No.	Fig. No.	Ref. No.
105010-39140	11	4	123678-55890	20	36	129150-11230	4	41	129900-23601	9	29
		19	123900-25060	7	9	129150-11750	4	19	129900-23611	9	32
105025-59530	16	11	123901-03240	4	74			38	129900-23911	9	31
114250-53080	15	5	123901-18080	20	15			42	129900-25100	7	10
114250-53120	15	9	123907-11280	4	34	129150-14200	7	1	129900-26000	7	16
114250-53130	15	10	123907-11550	4	1	129150-25920	7	18	129900-26250	2	35
114250-53140	15	11	123907-11601	15	40	129150-35153	10	24	129900-32030	2	6
114250-53210	15	12	123907-11820	4	21		20	16		10	15
119000-39650	11	36	123907-11830	4	20	129150-49360	12	39	129900-32040	2	7
119005-77051	5	17	123907-39500	11	11	129150-59131	15	44	129900-42020	12	11
119060-61990	20	5	123907-59540	16	14	129198-59540	11	4 -1	129900-49870	12	32
119100-11330	4	56	123907-59550	16	15	129242-55701	20	17	129900-77040	17	1
119129-77020	5	15	123907-59560	16	20	129242-55720	20	18	129900-77120	17	2
119141-44760	12	17	123910-39850	11	24	129242-55730	20	19	129900-77130	17	5
119305-59120	15	41	123910-49600	10	8	129242-55740	20	20	129900-77140	17	6
119560-59110	16	7	123910-49610	10	10	129242-55750	20	21	129900-77150	17	9
119578-91351	19	13	123912-33050	10	2	129242-55760	20	22	129900-77160	17	10
		22	123912-33100	10	3	129242-55770	20	23	129900-77170	17	13
119593-11301	4	29	123951-18220	5	11	129263-49750	16	17	129900-77180	17	14
119620-11180	4	14	124070-13300	11	21	129263-77941	13	127	129900-77190	17	15
119625-11880	4	25		12	51	129335-59090	16	6	129900-77270	17	17
119761-39450	11	1	124160-01751	2	15	129410-03990	4	69	129900-77280	17	22
119802-11870	4	24		4	49	129418-18320	6	3	129900-77290	17	23
119802-13791	6	11	124160-11340	4	16			4	129900-77380	17	24
119802-51680	13	68	124160-11360	4	60	129466-49300	10	7	129900-77390	17	25
119802-51690	13	69	124223-39900	11	3	129467-59010	16	4	129900-77420	17	26
119803-11340	4	15	124250-49351	12	38	129472-18090	8	2	129900-77430	17	27
119803-53400	15	13	124465-44950	12	37	129486-01670	3	17	129900-77450	17	7
119810-77340	18	13	124722-59050	16	18	129495-55610	20	30			12
119852-51630	13	73	124766-59050	16	5	129495-55620	20	31	129906-51580	13	61
119852-51640	13	74			9	129509-79700	4	57	129907-01331	1	28
119852-51650	13	76	129004-55612	16	1	129657-51590	13	63	129907-03011	4	51
119934-59910	13	134	129005-59830	11	13	129657-51600	13	64	129907-03061	4	52
120130-22301	9	23	129006-44480	10	5	129685-77640	17	28	129907-03070	4	53
121023-26071	2	21	129008-51920	13	12	129900-01200	1	27	129907-11110	4	12
121252-39150	11	5	129008-61301	14	26	129900-01250	1	4	129907-11120	4	13
121450-42450	12	36	129054-77800	20	6	129900-01850	2	29	129907-11250	4	31
121750-59890	16	12	129054-77811	20	8	129900-01870	2	30	129907-11260	4	32
121850-21130	9	11	129054-77820	20	9	129900-02020	1	6	129907-11270	4	33
121850-21290	9	4	129054-77830	20	10	129900-02341	1	33	129907-11341	4	30
121850-21920	9	5	129065-55170	20	29	129900-02410	1	9	129907-11510	4	17
121850-49540	12	25	129065-55750	20	26	129900-02931	1	24	129907-11650	4	35
121850-49550	12	26	129065-55760	20	33	129900-02941	1	36	129907-11660	4	39
121850-49811	12	27	129065-55770	20	34	129900-13251	6	5	129907-11800	4	82
121850-77021	5	16	129065-55800	20	35	129900-14100	7	6	129907-11910	4	26
121855-59880	20	39	129100-01580	2	1	129900-14140	2	34	129907-11920	4	43
123325-35140	20	27		3	13	129900-21200	9	3	129907-11950	4	27
123325-35160	20	28		17	31	129900-21600	9	14	129907-12110	5	1
123472-59120	15	45	129150-02450	7	4	129900-23001	9	25	129907-14400	7	2
123672-55760	20	32	129150-11230	4	37	129900-23200	9	28	129907-21650	9	8

Parts No. Index

Parts No.	Fig. No.	Ref. No.
129907-25900	7	15
129907-44740	12	16
129907-51560	13	58
129907-55801	16	2
129907-59140	16	13
129908-14581	7	3
129908-18010	8	1
129908-21000	9	1
129908-32060	2	4
129908-33010	10	1
129908-33101	10	4
129908-39410	11	30
129908-39690	11	25
129908-49060	10	6
129908-77200	18	1
129908-77220	18	9
129908-77360	18	10
129908-77710	18	4
129908-77720	18	3
129908-77730	18	2
129908-77740	18	5
129908-77750	18	7
129908-77760	18	8
129908-77770	18	6
129916-01790	3	16
129916-01800	2	28
129916-21610	9	7
129916-49530	12	23
129927-13810	6	13
		19
129927-13900	6	25
129927-13910	6	26
129927-13920	6	27
129927-22050	9	17
129927-39060	11	9
129927-42001	12	1
129927-42140	2	8
129927-44900	12	20
129927-51250	13	141
129927-51650	13	125
129927-51660	13	126
129927-51670	13	129
129927-59550	16	16
129927-75900	19	19
129927-77600	19	11
		20
129927-77680	19	12
		21
129927-77690	20	2
129928-11710	4	2

Parts No.	Fig. No.	Ref. No.
129928-13410	6	8
		9
129928-13700	5	6
129928-22080	9	15
129928-51390	13	25
129928-51900	13	11
129928-53000	15	2
129930-35000	10	16
129930-39050	11	18
129930-42450	12	14
129933-01500	2	3
129933-11310	4	55
129938-77800	20	3
129938-77810	20	13
129948-03080	4	67
129948-11300	4	50
129949-49850	12	19
129950-59211	16	8
129950-59221	16	10
129951-01740	2	17
129953-25300	7	14
129953-77320	18	12
129960-03990	12	56
129960-21590	9	12
129960-21930	9	9
129960-21940	9	10
129960-77410	17	32
129966-01650	3	14
129966-39910	3	7
129966-39920	3	8
129968-49610	12	40
129968-49620	12	44
129968-49850	12	48
129972-03220	4	72
129972-03230	4	73
129972-03240	4	71
129972-03280	4	76
129972-03310	4	77
129973-07910	4	63
		64
129973-12102	5	3
129973-12110	5	4
129973-12161	5	2
129973-12200	5	5
129973-12850	5	14
129973-13110	6	2
129973-13160	6	1
129973-13400	6	7
129973-13801	6	12
129973-13811	6	14

Parts No.	Fig. No.	Ref. No.
129973-13820	6	20
129973-13840	6	21
129973-13961	6	28
129973-18250	5	12
129973-39070	11	2
129973-39670	11	22
129973-49110	12	52
129973-49400	12	21
129973-49640	12	53
129973-49680	12	54
129973-49740	12	55
129973-49780	12	58
129973-59700	15	46
129973-59810	15	50
129973-59820	15	51
129973-59830	15	52
129973-59840	15	53
129974-01721	3	1
129974-34800	10	13
129974-39820	11	26
129975-75040	19	1
129985-11100	4	11
129E00-13610	6	10
129E00-13640	6	6
144626-51090	13	13
158552-51571	13	59
158552-51580	13	62
158552-51670	13	130
158552-51781	13	101
158552-52100	13	132
158552-52311	13	110
158552-52400	13	111
158552-52500	13	133
158553-51670	13	67
158553-51680	13	79
158553-51930	13	104
		14
		2
158553-61780	14	27
158557-51570	13	60
158557-61720	14	16
158563-51150	7	19
158563-51281	13	23
		24
158563-51330	13	35
158600-51270	13	22
158601-51550	13	57
158601-51650	13	128
158601-51770	13	100
158601-51790	13	102
171008-77410	17	3

Parts No.	Fig. No.	Ref. No.
171008-77420	17	4
171008-77450	17	8
171008-77670	17	18
171008-77750	17	29
171031-11741	2	24
171051-01921	1	5
171056-49120	10	23
172B02-17150	20	1
185100-50070	20	7
194990-22130	20	4
22190-080002	11	6
		14
		16
		20
	16	21
22190-120002	12	29
	13	105
		112
		135
	14	28
22190-180002	13	106
22217-050000	13	136
22217-180000	13	113
22252-000300	9	24
22312-050140	13	114
22351-030010	11	37
22351-050010	13	115
22351-060012	1	10
22512-070140	7	7
	9	6
22857-500100	4	58
22877-500080	19	14
		23
23000-022000	4	78
	12	50
23000-025000	10	11
	11	27
23000-054000	5	13
23001-022000	3	10
		11
23065-160250	4	79
23080-012000	12	43
		47
23414-080000	12	33
23414-100000	11	7
23857-030000	11	15
23857-080000	20	40
23875-030000	12	30
23876-020000	4	8
23876-030000	1	11

Parts No. Index

Parts No.	Fig. No.	Ref. No.
23876-030000	1	12
		13
		29
		4 9
24311-000070	2	15
		9
		116
24311-000120	4	11
		28
24311-000160	20	61
		37
24311-000320	2	24
		16
24321-000600	4	25
		62
		10 12
		20 25
		2 22
		14 22
		2 10
		13 70
		117
		118
24321-000750	13	71
		15
24321-000850	2	14
		12
24341-000480	14	119
		59
24351-030750	2	137
		14
24356-190200	13	7
		29
26106-060142	6	28
		23
26106-060162	11	8
		21
26106-060182	5	8
		31
26106-060202	12	29
		12
26106-060252	14	12
		120
26106-060302	13	12
		3
26106-060352	10	21
		22
26106-080122	11	8
		17
26106-080142	4	29
		34
26106-080162	7	81
		8
26106-080182	12	49

Parts No.	Fig. No.	Ref. No.
26106-080162	2	11
		31
		22
		6 23
26106-080202	12	59
		2 12
		18
26106-080222	4	65
		66
26106-080252	13	142
		6 16
26106-080302	14	24
		13 143
26106-080402	16	3
		2 32
26106-080452	2	45
		5 18
26106-080552	5	13
		7 13
26106-080602	12	13
		18
26106-080652	4	46
		47
26106-080702	12	35
		6 17
26106-080752	2	33
		5 19
26106-080852	2	20
		5 10
26106-100202	6	24
		6 30
26106-100302	6	31
		4 75
26106-100402	4	30
		17 30
26106-101052	17	33
		15 48
26116-050102	17	2
		5
26116-120202	4	44
		4 48
26206-100202	4	18
		8 3
26216-060202	2	14
		2 11
26216-100302	4	54
		13 121
26226-080222	13	138
		13 122
26306-080002	6	18
		8 3
26306-100002	2	14
		18 11
26366-060002	15	54
		13 121
26450-100452	13	138
		13 122
26716-050002	13	121
		13 122
26776-180002	13	121
		13 122

Parts No.	Fig. No.	Ref. No.
27241-160000	13	139
		1 14
27241-300000	1	10
		4 10
27241-400000	4	22
		20 38
27310-070001	4	30
		1 30
41650-550800	20	26
		9 36
729900-02801	1	1
		2 26
729907-01559	2	36
		9 36
729927-22950	9	1
		1 1
729928-01560	1	34
		9 34
729928-22900	9	1
		15 1
729928-53100	15	1
		13 1
729974-51410	13	16
		17 16
X2114955020	17	11
		17 11

Parts No.	Fig. No.	Ref. No.
-----------	----------	----------