

0CD50-M03620EN

P R E F A C E

This parts catalog is the 1st edition of 4TNV98T-ZCXSLC for LS Mtron Ltd.

Published : December, 2017

Contents

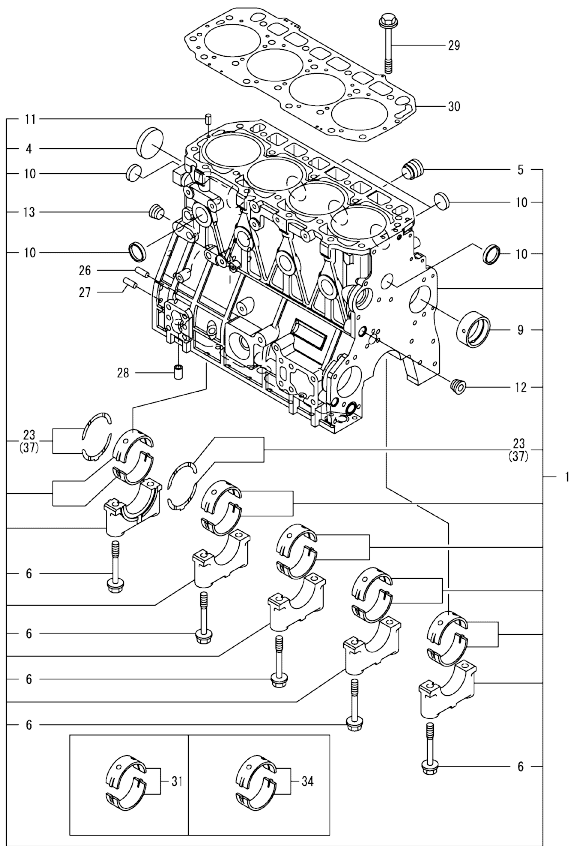
0CD50-M03620

Fig. No.	Fig. Name	Fig. No.	Fig. Name
ENGINE			
1.	CYLINDER BLOCK		
2.	GEAR HOUSING		
3.	OIL SUMP		
4.	CYLINDER HEAD & BONNET		
5.	SUCTION MANIFOLD		
6.	EXHAUST MANIFOLD		
7.	CAMSHAFT & DRIVING GEAR		
8.	TURBINE		
9.	CRANKSHAFT & PISTON		
10.	BALANCER		
11.	LUB. OIL SYSTEM		
12.	LUB. OIL PIPE		
13.	COOLING WATER SYSTEM		
14.	FUEL INJECTION PUMP		
15.	GOVERNOR		
16.	FUEL INJECTION VALVE		
17.	FUEL PIPE		
18.	STARTER MOTOR		
19.	GENERATOR		
20.	ELECTRONIC CONTROL UNIT(ECU)		
21.	ACCESSORY		

Fig.1. CYLINDER BLOCK

(A)=4TNV98T-ZCXSLC
(B)=
(C)=

(D)=
(E)=
(F)=

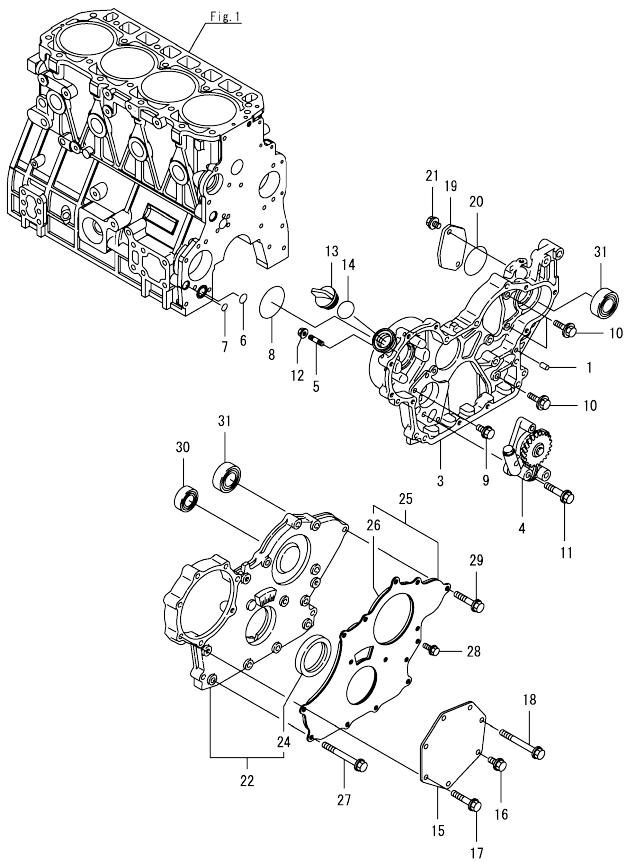


No.	Lev.	Parts No.	Description	Q'ty						I	R
				(A)	(B)	(C)	(D)	(E)	(F)		
1	1	729973-01560	BLOCK ASSY, CYLINDER	1							
4	2	129900-01250	PLUG, 55	1							
5	2	171051-01921	PLUG, NPTF1	1							
6	2	129900-02020	BOLT, METAL CAP	10							
9	2	129900-02410	BUSH, CAMSHAFT	1							
10	2	27241-300000	PLUG 30	8							
11	2	22351-060012	PIN, SPRING 6.0X12	2							
12	2	23876-030000	PLUG, R03	1							
13	2	23876-030000	PLUG, R03	1							
23	2	129927-02930	BEARING ASSY, THRUST	2							
26	1	129100-01580	PIN, PARALLEL 8X16	2							
27	1	129100-01580	PIN, PARALLEL 8X16	2							
28	1	129956-01710	PIPE, KNOCK L=25	1							
29	1	129900-01200	BOLT, CYLINDER HEAD	18							
30	1	129907-01331	GASKET, HEAD	1							
31	1	729900-02801	METAL ASSY, MAIN	5							1
34	1	129927-02340	BEARING ASSY, MAIN US	5							2
37	1	129927-02940	BEARING ASSY, THRUST	2							3

Remarks

- (1) Spare parts.
- (2) Under-sized (U.S.=0.25) parts.
- (3) Over-sized (O.S.=0.25) parts.

Fig.2. GEAR HOUSING



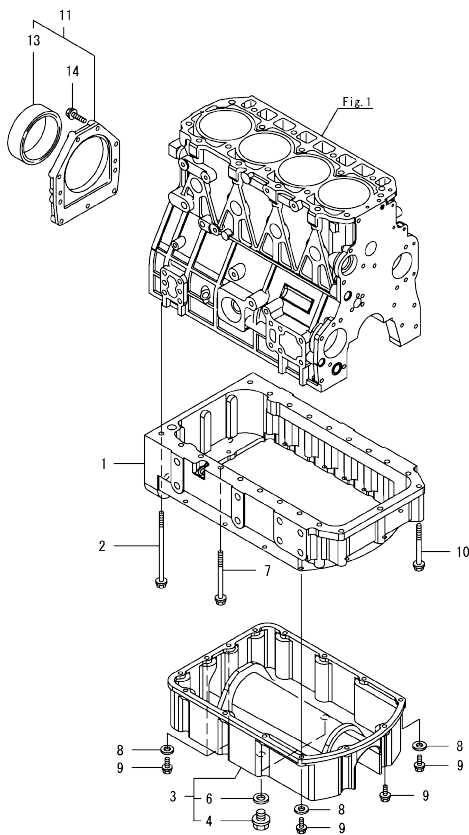
(A)=4TNV98T-ZCXSLC
(B)=
(C)=

(D)=
(E)=
(F)=

No.	Lev.	Parts No.	Description	Qty						I	R
				(A)	(B)	(C)	(D)	(E)	(F)		
1	1	129100-01580	PIN, PARALLEL 8X16	4							
3	1	129972-01500	CASE, GEAR	1							
4	1	129908-32060	PUMP ASSY, OIL	1							
5	1	26216-100302	STUD, M10X 30	4							
6	1	129900-32030	O-RING, P20	1							
7	1	129900-32040	O-RING, P14	1							
8	1	24351-030750	O-RING, 1A3075	1							
9	1	26106-080162	BOLT, M8X 16 PLATED	1							
10	1	26106-080202	BOLT, M8X 20 PLATED	3							
11	1	26106-080452	BOLT, M8X 45 PLATED	3							
12	1	26306-100002	NUT, M10	4							
13	1	124160-01751	CAP, FILLER	1							
14	1	24311-000320	O-RING, 1AP32.0	1							
15	1	129951-01740	COVER, PUMP TIMING	1							
16	1	26106-080202	BOLT, M8X 20 PLATED	1							
17	1	26106-080452	BOLT, M8X 45 PLATED	5							
18	1	26106-080752	BOLT, M8X 75 PLATED	1							
19	1	129930-01870	COVER, PUMP	1							
20	1	24321-000850	O-RING, 1AG85.0	1							
21	1	26106-100202	BOLT, M10X 20 PLATED	2							
22	1	729907-01559	COVER ASSY, CASE	1							
24	2	129916-01800	SEAL, OIL	1							
25	1	129900-01850	COVER ASSY, CASE	1							
26	2	129900-01870	SPONGE, COVER	1							
27	1	26106-080702	BOLT, M8X 70 PLATED	6							
28	1	26106-080162	BOLT, M8X 16 PLATED	3							
29	1	26106-080402	BOLT, M8X 40 PLATED	5							
30	1	129900-14140	BEARING, BALL 6205	1							
31	1	129900-26250	BEARING, BALL 6206C3	2							

OCD50-M03620 ENGINE
 Fig.3. OIL SUMP

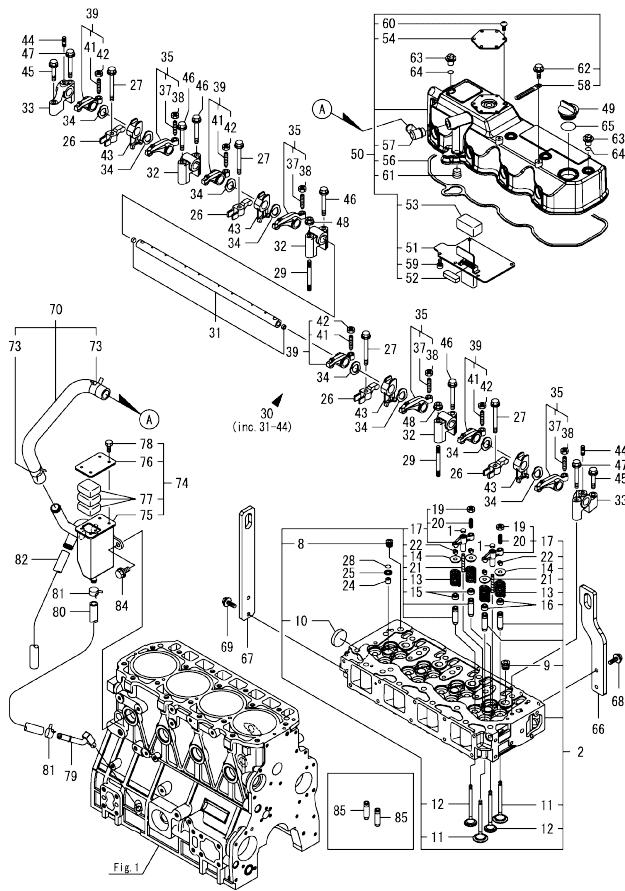
OCD50-M03620 Fig.3



No.	Lev.	Parts No.	Description	Q'ty					
				(A)	(B)	(C)	(D)	(E)	(F)
1	1	129956-01730	OIL PAN	1					
2	1	129972-01731	BOLT, M8X150	2					
3	1	129956-01760	COVER ASSY, OIL PAN	1					
4	2	105425-01690	PLUG, DRAIN M16	2					
6	2	22190-160002	WASHER, SEAL 16	2					
7	1	129693-44310	BOLT	16					
8	1	22190-080002	WASHER, SEAL 8	4					
9	1	26106-080252	BOLT, M8X 25 PLATED	14					
10	1	26106-080852	BOLT, M8X 85 PLATED	3					
11	1	129968-01640	CASE ASSY, OIL SEAL	1					
13	2	129916-01790	SEAL, D115/95XT11	1					
14	1	26106-080302	BOLT, M8X 30 PLATED	9					

N:Old $\frac{100}{100}$ New, Q:Old $\frac{100}{100}$ New, R:Old $\frac{100}{100}$ New, S:Old $\frac{100}{100}$ New, W:Add, Z:Discontinued, F:Interchangeable by set, K:Qty Change
 Copyright (C) 2018 YANMAR GLOBAL CS CO., LTD. All Rights Reserved.

Fig.4. CYLINDER HEAD & BONNET



(A)=4TNV98T-ZCXSLC
(B)=
(C)=

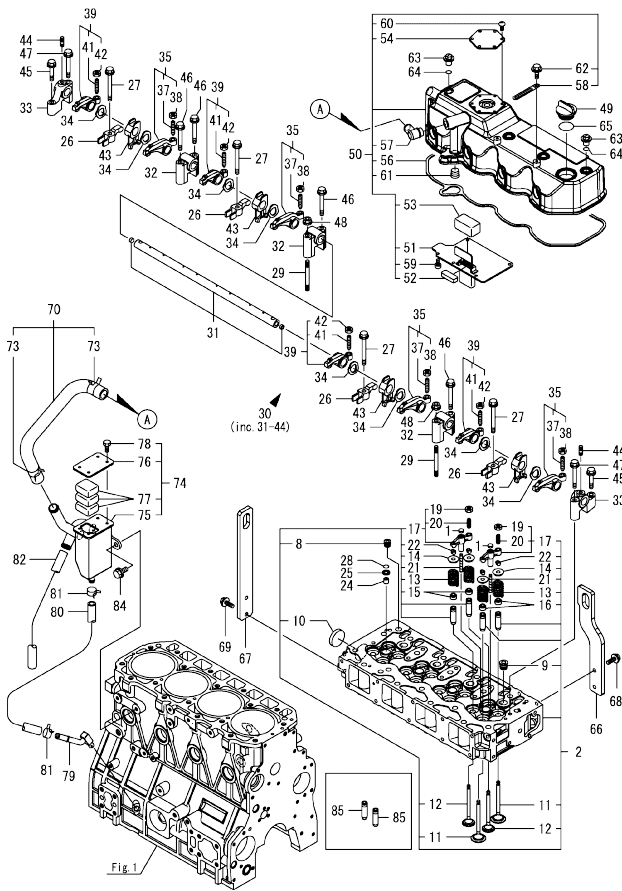
(D)=
(E)=
(F)=

No.	Lev.	Parts No.	Description	(A)	(B)	(C)	(D)	(E)	(F)	Q'ty	I	R
1	1	123907-11550	SEAT, VALVE BRIDGE							8		
2	1	129928-11710	HEAD ASSY, CYLINDER							1		
8	2	23876-020000	PLUG, R02							1		
9	2	23876-030000	PLUG, R03							4		
10	2	27241-400000	PLUG, 40							1		
11	2	129985-11100	VALVE, INTAKE							8		
12	2	129907-11110	VALVE, EXHAUST							8		
13	2	129907-11120	SPRING, VALVE							16		
14	2	119620-11180	RETAINER, SPRING							16		
15	2	119803-11340	SEAL, VALVE STEM							8		
16	2	124160-11340	SEAL, VALVE STEM							8		
17	2	129907-11510	BRIDGE ASSY, VALVE							8		
19	3	129150-11750	NUT, M8XP1.0							8		
20	3	123907-11830	ADJUSTER, BRIDGE							8		
21	2	123907-11820	GUIDE, BRIDGE							8		
22	2	27310-070001	COTTER, 7							16		
24	1	119802-11870	PROTECTOR, NOZZLE							4		
25	1	119625-11880	SEAT, NOZZLE							4		
26	1	129907-11910	RETAINER, NOZZLE							4		
27	1	129907-11950	BOLT, M8X75							4		
28	1	24311-000120	O-RING, 1AP12.0							4		
29	1	119593-11301	STUD, M8X80							2		
30	1	129907-11341	SUPPORT ASSY, ROCKER							1		
31	2	129907-11250	SHAFT, ROCKER ARM							1		
32	2	129907-11260	SUPPORT, ROCKER A							3		
33	2	129907-11270	SUPPORT, ROCKER B							2		
34	2	123907-11280	WASHER, WAVE							8		
35	2	129907-11650	ARM ASSY, ROCKER							4		
37	3	129150-11230	SCREW, VALVE ADJUST							4		
38	3	129150-11750	NUT, M8XP1.0							4		
39	2	129907-11660	ARM ASSY, ROCKER							4		
41	3	129150-11230	SCREW, VALVE ADJUST							4		
42	3	129150-11750	NUT, M8XP1.0							4		
43	2	129907-11920	RETAINER, NOZZLE							4		
44	2	26226-080222	STUD, M8X 22							2		
45	1	26106-080402	BOLT, M8X 40 PLATED							2		
46	1	26106-080602	BOLT, M8X 60 PLATED							4		
47	1	26106-080602	BOLT, M8X 60 PLATED							2		
48	1	26306-080002	NUT, M8							2		
49	1	124160-01751	CAP, FILLER							1		
50	1	129973-11320	BONNET ASSY, HEAD							1		
51	2	129907-03011	PLATE, BAFFLE							1		
52	2	129907-03061	BAFFLE, BREATHER							1		
53	2	129907-03070	BAFFLE, BREATHER							1		
54	2	123908-03199	PLATE, BREATHER							1		
56	2	129933-11310	GASKET, BONNET							1		
57	2	119100-11330	ELBOW, BREATHER							1		
58	2	129509-79700	CLAMP, 140-M6							1		
59	2	22857-500100	SCREW, 5X10							6		
60	2	22857-500120	SCREW, 5X12							6		
61	2	23876-030000	PLUG, R03							1		

Remarks
(1)Spare parts.

N:Old $\frac{New}{Old}$ New, Q:Old $\frac{New}{Old}$ New, R:Old $\frac{New}{Old}$ New, S:Old $\frac{New}{Old}$ New, W:Add, Z:Discontinued, F:Interchangeable by set, K:Q'ty Change
++ CONTINUE ++ Copyright (C) 2018 YANMAR GLOBAL CS CO., LTD. All Rights Reserved.

Fig.4. CYLINDER HEAD & BONNET



(A)=4TNV98T-ZCXSLC
(B)=
(C)=

(D)=
(E)=
(F)=

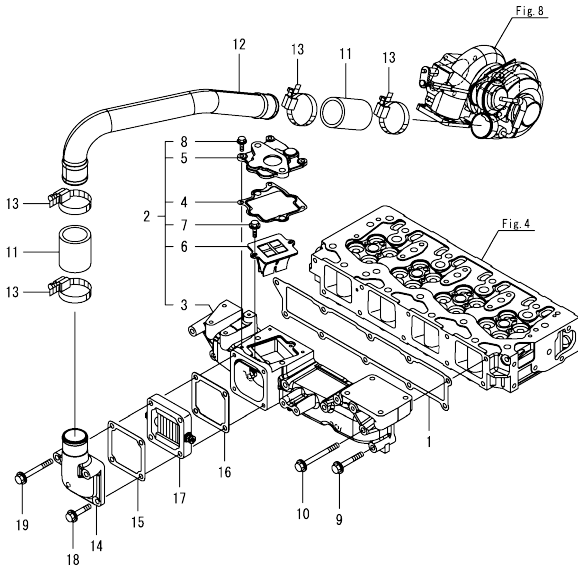
No.	Lev.	Parts No.	Description	Q'ty						I	R	
				(A)	(B)	(C)	(D)	(E)	(F)			
62	2	26106-060122	BOLT, M6X 12 PLATED	1								
63	1	124160-11360	KNOB	4								
64	1	24311-000120	O-RING, 1AP12.0	4								
65	1	24311-000320	O-RING, 1AP32.0	1								
66	1	129975-07900	LIFTER	1								
67	1	129973-07910	LIFTER	1								
68	1	26106-080202	BOLT, M8X 20 PLATED	2								
69	1	26106-080202	BOLT, M8X 20 PLATED	2								
70	1	129973-03030	HOSE ASSY, BREATHER	1								
73	2	129410-03990	CLAMP, HOSE 21.5	2								
74	1	129972-03200	SEPARATOR ASSY, MIST	1								
75	2	129972-03210	SEPARATOR, MIST	1								
76	2	129972-03220	COVER, SEPARATOR	1								
77	2	123901-03240	FILTER	3								
78	2	26116-050102	BOLT, M5X 10 PLATED	4								
79	1	129972-03280	JOINT, BREATHER	1								
80	1	129972-03310	HOSE	1								
81	1	23000-022000	CLAMP, 22	2								
82	1	23065-160500	PIPE, 16X 500	1								
84	1	26106-080142	BOLT, M8X 14 PLATED	2								
85	1	129907-11800	GUIDE, VALVE	16								1

Remarks
(1)Spare parts.

Fig.5. SUCTION MANIFOLD

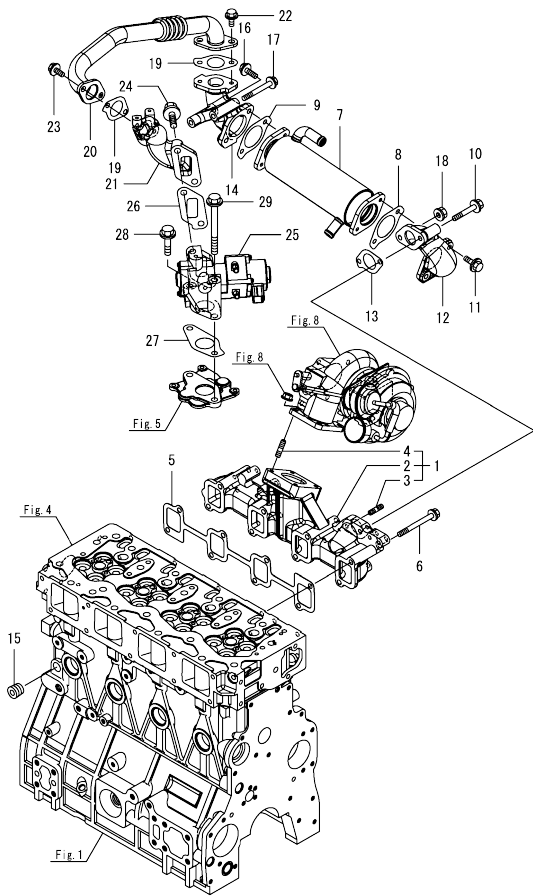
(A)=4TNV98T-ZCXSLC
(B)=
(C)=

(D)=
(E)=
(F)=



No.	Lev.	Parts No.	Description	Q'ty						I	R
				(A)	(B)	(C)	(D)	(E)	(F)		
1	1	129907-12110	GASKET, MANIFOLD	1							
2	1	129973-12161	MANIFOLD CMP,INTAKE	1							
3	2	129973-12102	MANIFOLD,INTAKE	1							
4	2	129973-12110	GASKET, EGR-V SPACER	1							
5	2	129973-12200	SPACER, EGR VALVE	1							
6	2	129928-13700	VALVE, LEAD	1							
7	2	26106-060142	BOLT, M6X 14 PLATED	2							
8	2	26106-060182	BOLT, M6X 18 PLATED	3							
9	1	26106-080552	BOLT, M8X 55 PLATED	5							
10	1	26106-080852	BOLT, M8X 85 PLATED	5							
11	1	123951-18220	JOINT, RUBBER	2							
12	1	129973-18250	DUCT, AIR	1							
13	1	23000-054000	CLAMP, 54	4							
14	1	129973-12850	BEND, INTAKE	1							
15	1	119129-77020	GASKET	1							
16	1	121850-77021	GASKET, AIR HEATER	1							
17	1	119005-77051	HEATER, AIR	1							
18	1	26106-080402	BOLT, M8X 40 PLATED	2							
19	1	26106-080702	BOLT, M8X 70 PLATED	2							

Fig.6. EXHAUST MANIFOLD

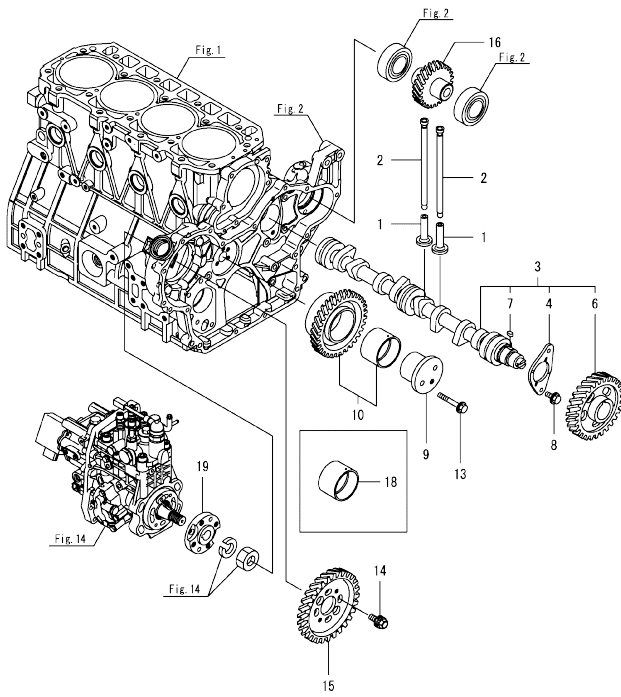


(A)=4TNV98T-ZCXSLC
(B)=
(C)=

(D)=
(E)=
(F)=

No.	Lev.	Parts No.	Description	Qty						I	R
				(A)	(B)	(C)	(D)	(E)	(F)		
1	1	129973-13160	MANIFOLD ASSY	1							
2	2	129973-13110	MANIFOLD, EXHAUST	1							
3	2	129418-18320	STUD, M8X20	1							
4	2	129418-18320	STUD, M8X20	4							
5	1	129900-13251	GASKET, MANIFOLD	1							
6	1	129E00-13640	BOLT, M8X80 10.9T	8							
7	1	129973-13400	COOLER, EGR	1							
8	1	129928-13410	GASKET	1							
9	1	129928-13410	GASKET	1							
10	1	129E00-13610	BOLT, M8X50 10.9	1							
11	1	119802-13791	BOLT, M8X25 10.9T	2							
12	1	129973-13801	BEND, COOLER INLET	1							
13	1	129927-13810	GASKET	1							
14	1	129973-13811	BEND, COOLER OUTLET	1							
15	1	23876-030000	PLUG, R03	1							
16	1	26106-080222	BOLT, M8X 22 PLATED	2							
17	1	26106-080652	BOLT, M8X 65 PLATED	2							
18	1	26306-080002	NUT, M8	1							
19	1	129927-13810	GASKET	2							
20	1	129973-13820	PIPE ASSY, EGR	1							
21	1	129973-13840	DUCT, EGR VALVE IN	1							
22	1	26106-080162	BOLT, M8X 16 PLATED	2							
23	1	26106-080162	BOLT, M8X 16 PLATED	2							
24	1	26106-100302	BOLT, M10X 30 PLATED	2							
25	1	129928-13900	VALVE, EGR	1							
26	1	129927-13910	GASKET, EGR	1							
27	1	129927-13920	GASKET, EGR	1							
28	1	26106-100402	BOLT, M10X 40 PLATED	1							
29	1	26106-101052	BOLT, M10X105 PLATED	1							

Fig.7. CAMSHAFT & DRIVING GEAR



(A)=4TNV98T-ZCXSLC
(B)=
(C)=

(D)=
(E)=
(F)=

No.	Lev.	Parts No.	Description	Q'ty						I	R
				(A)	(B)	(C)	(D)	(E)	(F)		
1	1	129150-14200	TAPPET	8							
2	1	129907-14400	PUSH-ROD	8							
3	1	129932-14590	CAMSHAFT ASSY	1							
4	2	129150-02450	METAL, THRUST	1							
6	2	129900-14110	GEAR, CAMSHAFT	1							
7	2	22512-070140	KEY, 7X 14	1							
8	1	26106-080142	BOLT, M8X 14 PLATED	2							
9	1	123900-25060	SHAFT, IDLE GEAR	1							
10	1	129927-25110	GEAR ASSY, IDLE	1							
13	1	26106-080552	BOLT, M8X 55 PLATED	3							
14	1	129953-25300	BOLT, PUMP BODY	4							
15	1	129907-25900	GEAR, PUMP	1							
16	1	129900-26020	GEAR ASSY, PUMP	1							
18	1	129927-25920	BUSH, IDLE GEAR	1							1
19	1	158563-51150	FLANGE	1							

Remarks
(1)Spare parts.

OCD50-M03620 ENGINE
 Fig.8. TURBINE

OCD50-M03620 Fig.8

(A)=4TNV98T-ZCXSLC
 (B)=
 (C)=

(D)=
 (E)=
 (F)=

No.	Lev.	Parts No.	Description	Q'ty						I	R
				(A)	(B)	(C)	(D)	(E)	(F)		
1	1	129948-18011	TURBOCHARGER, RHF5	1							
2	1	129472-18090	GASKET	1							
3	1	119131-18320	STUD, M8X22	4							
4	1	26306-080002	NUT, M8	4							

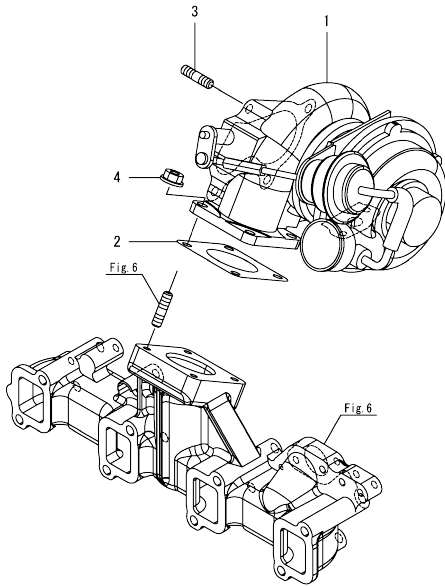
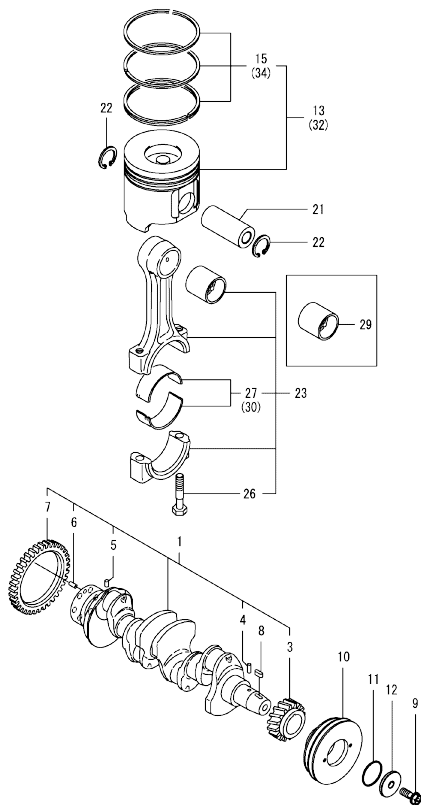


Fig.9. CRANKSHAFT & PISTON



(A)=4TNV98T-ZCXSLC
(B)=
(C)=

(D)=
(E)=
(F)=

No.	Lev.	Parts No.	Description	Q'ty						I	R
				(A)	(B)	(C)	(D)	(E)	(F)		
1	1	129942-21000	CRANKSHAFT ASSY	1							
3	2	129900-21220	GEAR, CRANKSHAFT	1							
4	2	121850-21290	PIN, CRANK GEAR	1							
5	2	121850-21290	PIN, CRANK GEAR	1							
6	2	121850-21920	PIN, PARALLEL 10X22	1							
7	2	129956-28321	GEAR, BALANCER DRIVE	1							
8	1	22512-070140	KEY, 7X 14	1							
9	1	129916-21610	BOLT	1							
10	1	129940-21650	V-PULLEY, CRANKSHAFT	1							
11	1	129960-21930	GASKET, WASHER	1							
12	1	129960-21940	WASHER, V-PULLEY	1							
13	1	129924-22080	PISTON ASSY	4							
15	2	129E00-22050	RING SET, PISTON	4							
21	1	120130-22301	PIN, PISTON	4							
22	1	22252-000300	RING, 30	8							
23	1	129900-23001	ROD ASSY, CONNECTING	4							
26	2	129900-23200	BOLT, CONNECTING ROD	8							
27	2	129927-23600	BEARING ASSY, PIN	4							
29	1	129900-23911	BEARING, PISTON PIN	4							1
30	1	129900-23611	METAL ASSY, PIN .25	4							2
32	1	729928-22900	PISTON ASSY, 0.25 OS	4							3
34	2	729927-22950	RING SET, PISTON .25	4							3

Remarks

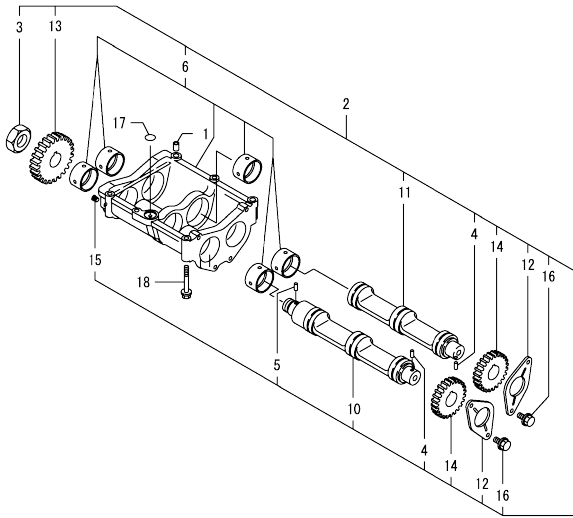
- (1) Spare parts.
- (2) Under-sized (U.S.=0.25) parts.
- (3) Over-sized (O.S.=0.25) parts.

OCD50-M03620 ENGINE
 Fig.10. BALANCER

OCD50-M03620 Fig.10

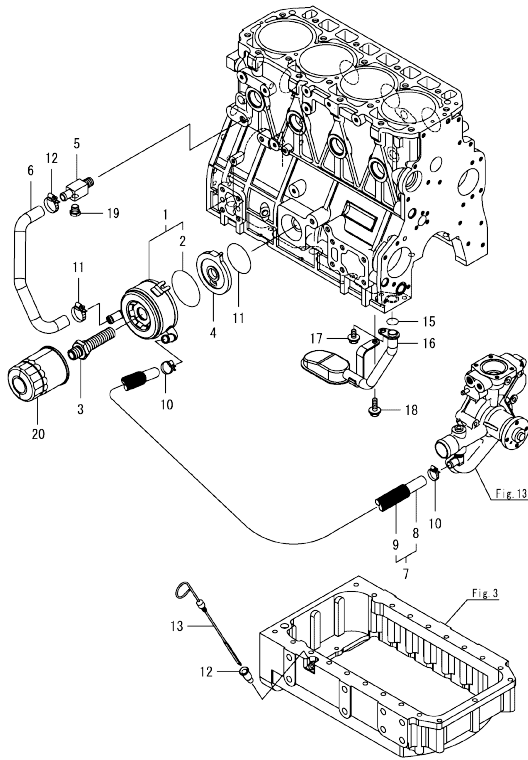
(A)=4TNV98T-ZCXSLC
 (B)=
 (C)=

(D)=
 (E)=
 (F)=



No.	Lev.	Parts No.	Description	Q'ty						I	R
				(A)	(B)	(C)	(D)	(E)	(F)		
1	1	129795-01960	PIPE, KNOCK 11X12	2							
2	1	129956-28009	BALANCER ASSY	1							
2-1	1	129956-28030	BALANCER ASSY	1							R
(A=EZ9414A)											
3	2	128610-14120	NUT, END	1							
4	2	121850-21290	PIN, CRANK GEAR	2							
5	2	121850-21290	PIN, CRANK GEAR	1							
6	2	129956-28019	CASE ASSY, BALANCER	1							
6-1	2	129956-28040	CASE ASSY, BALANCER	1							R
(A=EZ9414A)											
10	2	129956-28101	SHAFT, BALANCER	1							
11	2	129956-28111	SHAFT, BALANCER	1							
12	2	129956-28180	PLATE, THRUST	2							
13	2	129956-28332	GEAR, BALANCER DRIVE	1							
14	2	129956-28341	GEAR, BALANCER	2							
15	2	23876-005000	PLUG, R005	1							
16	2	26106-080162	BOLT, M8X 16 PLATED	4							
17	1	24311-000200	O-RING, 1AP20.0	1							
18	1	26106-080602	BOLT, M8X 60 PLATED	6							

Fig.11. LUB. OIL SYSTEM



(A)=4TNV98T-ZCXSLC
(B)=
(C)=

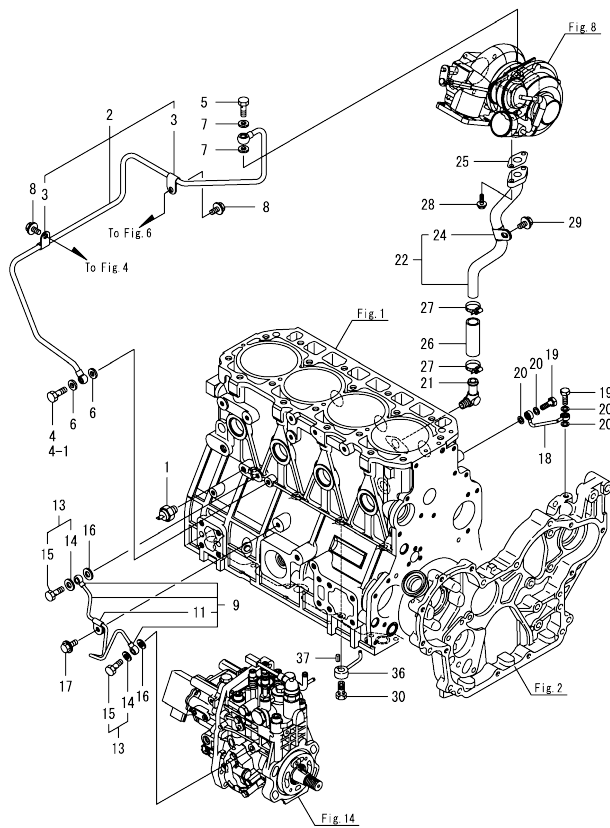
(D)=
(E)=
(F)=

No.	Lev.	Parts No.	Description	Q'ty						I	R
				(A)	(B)	(C)	(D)	(E)	(F)		
1	1	129908-33010	COOLER ASSY, OIL	1							
2	2	123912-33050	O-RING	1							
3	1	123912-33100	BOLT, COOLER	1							
4	1	129908-33101	BRACKET, COOLER	1							
5	1	129006-44480	JOINT, R02	1							
6	1	129908-49060	HOSE, WATER	1							
7	1	129403-49060	PIPE ASSY, WATER	1							
8	2	129403-49050	HOSE, WATER	1							
9	2	129956-49230	TUBE, CORRUGATED	1							
10	1	23000-025000	CLAMP, 25	4							
11	1	24321-000600	O-RING, 1AG60.0	1							
12	1	119860-34810	GUIDE, DIPSTICK	1							
13	1	129956-34820	DIPSTICK, OIL	1							
15	1	129900-32030	O-RING, P20	1							
16	1	129956-35100	PIPE ASSY, OIL INLET	1							
17	1	26106-080142	BOLT, M8X 14 PLATED	1							
18	1	26106-080202	BOLT, M8X 20 PLATED	1							
19	1	171056-49120	PLUG, DRAIN R1/4	1							
20	1	119005-35151	FILTER, OIL D80X100	1							1

Remarks

(1)Spare parts.

Fig.12. LUB. OIL PIPE

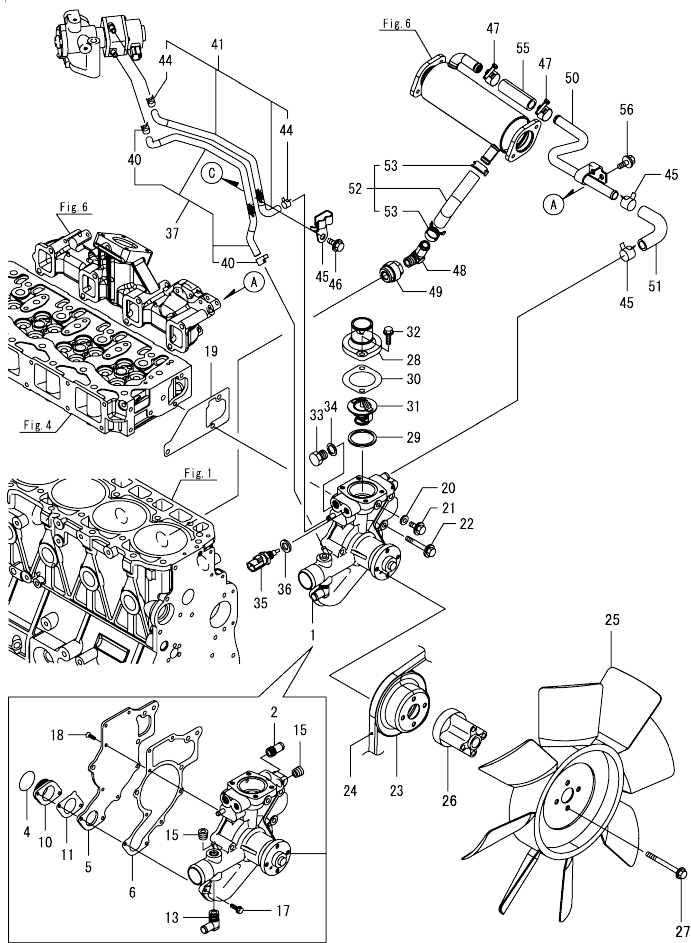


(A)=4TNV98T-ZCXSLC
(B)=
(C)=

(D)=
(E)=
(F)=

No.	Lev.	Parts No.	Description	Q'ty						I	R
				(A)	(B)	(C)	(D)	(E)	(F)		
1	1	119761-39450	SWITCH, HYDRAULIC	1							
2	1	129973-39070	PIPE ASSY, OIL	1							
3	2	124223-39900	RETAINER	2							
4	1	105010-39140	BOLT, PIPE JOINT	1							
4-1	1	129198-59540	BOLT, PIPE JOINT M8	1							S
(A="2020.06)											
5	1	121252-39150	BOLT, JOINT M10X1.5	1							
6	1	22190-080002	WASHER, SEAL 8	2							
7	1	23414-100000	GASKET, 10X1.0	2							
8	1	26106-080122	BOLT, M8X 12 PLATED	2							
9	1	129927-39060	PIPE ASSY, OIL	1							
11	2	123907-39500	RETAINER, PIPE	1							
13	1	129005-59830	BOLT ASSY, JOINT M8	2							
14	2	22190-080002	WASHER, SEAL 8	2							
15	2	23857-030000	BOLT, JOINT 3	2							
16	1	22190-080002	WASHER, SEAL 8	2							
17	1	26106-080122	BOLT, M8X 12 PLATED	1							
18	1	129930-39050	PIPE, HO PUMP	1							
19	1	105010-39140	BOLT, PIPE JOINT	2							
20	1	22190-080002	WASHER, SEAL 8	4							
21	1	124070-13300	ELBOW, PT3/8	1							
22	1	129973-39670	PIPE ASSY, RETURN	1							
24	2	123910-39850	RETAINER	1							
25	1	129908-39690	GASKET	1							
26	1	129974-39820	HOSE, OIL RETURN	1							
27	1	23000-025000	CLAMP, 25	2							
28	1	26106-060162	BOLT, M6X 16 PLATED	2							
29	1	26106-080122	BOLT, M8X 12 PLATED	1							
30	1	129908-39410	VALVE ASSY, CHECK	4							
36	1	119000-39650	NOZZLE, COOLING	4							
37	1	22351-030010	PIN, SPRING 3.0X10	4							

Fig.13. COOLING WATER SYSTEM



(A)=4TNV98T-ZCXSLC
(B)=
(C)=

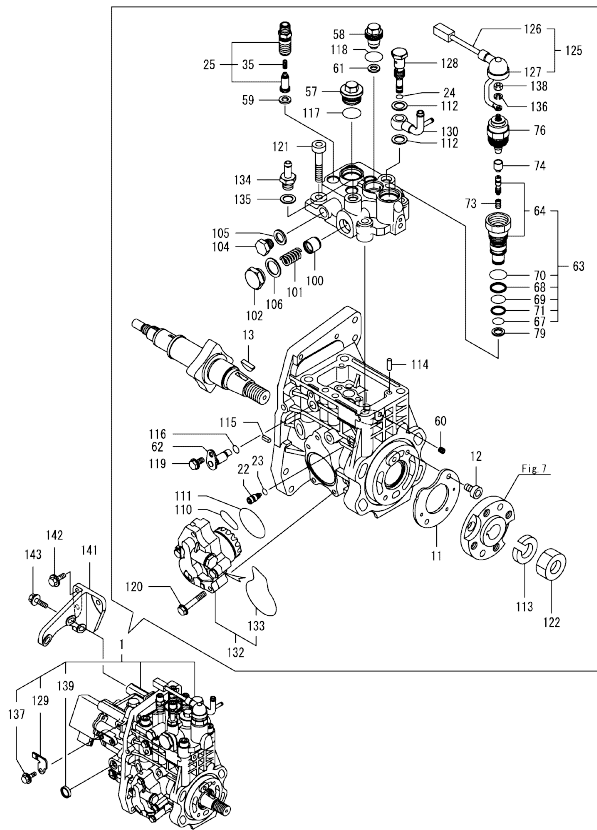
(D)=
(E)=
(F)=

No.	Lev.	Parts No.	Description	Q'ty						I	R
				(A)	(B)	(C)	(D)	(E)	(F)		
1	1	129973-42021	PUMP ASSY, WATER	1							
2	2	121851-11970	JOINT, PIPE	1							
4	2	129900-42140	O-RING, P36	1							
5	2	129917-42160	COVER	1							
6	2	129917-42170	GASKET	1							
10	2	129917-42300	FLANGE, OUTLET	1							
11	2	129917-42310	GASKET	1							
13	2	119852-49300	ELBOW, R3/8	1							
15	2	129916-49740	PLUG, R3/8	2							
17	2	26106-060202	BOLT, M6X 20 PLATED	2							
18	2	26577-060142	SCREW M 6X 14	6							
19	1	129900-42061	GASKET, WATER PUMP	1							
20	1	23414-080000	GASKET, 8X1.0	1							
21	1	26106-080122	BOLT, M8X 12 PLATED	1							
22	1	26106-080552	BOLT, M8X 55 PLATED	3							
23	1	129930-42450	V-PULLEY, PUMP	1							
24	1	129953-42290	V-BELT, A45	1							
25	1	129985-44710	FAN, COOLING	1							
26	1	129900-44760	SPACER, FAN	1							
27	1	26106-080852	BOLT, M8X 85 PLATED	4							
28	1	129981-49531	COVER, THERMOSTAT	1							
29	1	121850-49550	GASKET, THERMOSTAT	1							
30	1	129900-49560	GASKET	1							
31	1	121850-49801	THERMOSTAT, 82C	1							
32	1	26106-080252	BOLT, M8X 25 PLATED	2							
33	1	121450-42450	PLUG, M16	1							
34	1	124465-44950	GASKET, 16	1							
35	1	129927-44900	SENSOR, TEMPERATURE	1							
36	1	22190-120002	WASHER, SEAL 12	1							
37	1	129968-49630	PIPE, WATER	1							
40	2	23080-012000	CLAMP, 12	2							
41	1	129968-49640	PIPE ASSY, EGR-V B	1							
44	2	23080-012000	CLAMP, 12	2							
45	1	175339-79700	CLIP	1							
46	1	26106-060122	BOLT, M6X 12 PLATED	1							
47	1	129960-03990	CLAMP, HOSE 19.8	4							
48	1	124070-13300	ELBOW, PT3/8	1							
49	1	129973-49110	JOINT, NPTF1	1							
50	1	129973-49650	PIPE, WATER	1							
51	1	129973-49661	PIPE B, WATER OUT	1							
52	1	129973-49740	PIPE ASSY, WATER	1							
53	2	129960-03990	CLAMP, HOSE 19.8	2							
55	1	129973-49780	JOINT	1							
56	1	26106-080122	BOLT, M8X 12 PLATED	2							

Fig.14. FUEL INJECTION PUMP

(A)=4TNV98T-ZCXSLC
(B)=
(C)=

(D)=
(E)=
(F)=



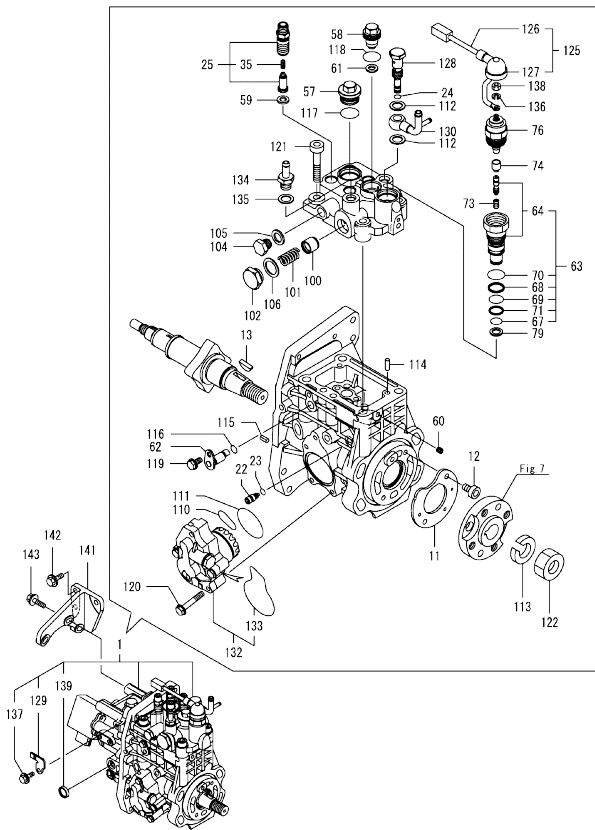
No.	Lev.	Parts No.	Description	Q'ty						I	R
				(A)	(B)	(C)	(D)	(E)	(F)		
1	1	729973-51380	FIE ASSY	1							1
11	2	129928-51900	COVER	1							
12	2	129008-51920	BOLT, SOCKET M6X10	2							
13	2	144626-51090	KEY, FEATHER 5X19	1							
22	2	158600-51270	STOPPER, TAPPET	1							
23	2	158563-51281	O-RING, 4D S6	1							
24	2	158563-51281	O-RING, 4D S6	1							
25	2	129928-51390	VALVE ASSY, DELIVERY	4							
35	3	158563-51330	SPRING, DELIVERY	4							
57	2	158601-51550	PLUG, M22	1							
58	2	129907-51560	PLUG, M16	1							
59	2	158552-51571	GASKET, PLUG	4							
60	2	158557-51570	PLUG, RACK	1							
61	2	129906-51580	GASKET, PLUG	1							
62	2	158552-51580	LIFTER, LINK	1							
63	2	129657-51590	TIMER ASSY	1							
64	3	129657-51600	TIMER ASSY	1							
67	3	158553-51670	O-RING	1							
68	3	119802-51680	RING, BACKUP	1							
69	3	119802-51690	O-RING	1							
70	3	24356-190200	O-RING, 4D19020	1							
71	3	24372-000150	RING, BACK UP T2P15	1							
73	2	119852-51630	SPRING, TIMER	1							
74	2	119852-51640	CAP, TIMER	1							
76	2	119852-51650	VALVE ASSY, SOLENOID	1							
79	2	158553-51680	GASKET, TIMER	1							
100	2	158601-51770	PISTON, ACCUMULATOR	1							
101	2	158552-51781	SPRING, ACCUMULATOR	1							
102	2	158601-51790	PLUG, ACCUMULATOR	1							
104	2	158553-51930	PLUG, M12	1							
105	2	22190-120002	WASHER, SEAL 12	1							
106	2	22190-180002	WASHER, SEAL 18	1							
110	2	158552-52311	O-RING, FEED PUMP	1							
111	2	158552-52400	O-RING, 4E S42	1							
112	2	22190-120002	WASHER, SEAL 12	2							
113	2	22217-180000	WASHER, SPRING 18	1							
114	2	22312-050140	PIN, PARALLEL 5X14	2							
115	2	22351-050010	PIN, SPRING 5.0X10	2							
116	2	24311-000070	O-RING, 1AP7.0	1							
117	2	24356-190200	O-RING, 4D19020	1							
118	2	24356-240210	O-RING, 4D24021	1							
119	2	26106-060102	BOLT, M6X 10 PLATED	1							
120	2	26106-060352	BOLT, M6X 35 PLATED	4							
121	2	26450-100452	BOLT, M10X 45	4							
122	2	26776-180002	NUT, LOCK M18	1							
125	2	129927-51650	HARNES ASSY, WIRE	1							
126	3	129927-51660	HARNES	1							
127	3	129263-77941	CAP, RUBBER	1							
128	2	158601-51650	JOINT, OVERFLOW	1							
129	2	129927-51670	BRACKET	1							
130	2	158552-51670	JOINT, OVERFLOW	1							

Remarks
 (1)Governor(Fig.15) is incorporated in this Fuel Injection Pump(No.1).
 (1)Eco pump
 Make sure to update the engines ECU information when replacing the Eco pump.
 Failing to do so will result in engine malfunction.

Fig.14. FUEL INJECTION PUMP

(A)=4TNV98T-ZCXSLC
(B)=
(C)=

(D)=
(E)=
(F)=



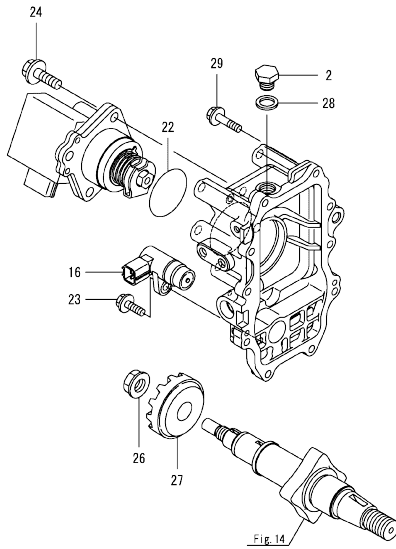
No.	Lev.	Parts No.	Description	Q'ty					
				(A)	(B)	(C)	(D)	(E)	(F)
132	2	158552-52100	PUMP ASSY, FUEL FEED	1					
133	3	158552-52500	O-RING, PUMP INNER	1					
134	2	119934-59910	JOINT, PIPE	1					
135	2	22190-120002	WASHER, SEAL 12	1					
136	2	22217-050000	WASHER, SPRING 5	1					
137	2	26106-060122	BOLT, M6X 12 PLATED	1					
138	2	26716-050002	NUT, M5	1					
139	2	27241-160000	PLUG, 16	1					
141	1	129927-51250	RETAINER, FUEL PUMP	1					
142	1	26106-080202	BOLT, M8X 20 PLATED	3					
143	1	26106-080302	BOLT, M8X 30 PLATED	3					

Remarks

(1)Governor(Fig.15) is incorporated in this Fuel Injection Pump(No.1).
(1)Eco pump
Make sure to update the engines ECU information when replacing the Eco pump.
Failing to do so will result in engine malfunction.

OCD50-M03620 ENGINE
Fig.15. GOVERNOR

OCD50-M03620 Fig.15



(A)=4TNV98T-ZCXSLC
 (B)=
 (C)=

(D)=
 (E)=
 (F)=

No.	Lev.	Parts No.	Description	Q'ty						I	R
				(A)	(B)	(C)	(D)	(E)	(F)		
2	2	158553-51930	PLUG, M12	1							
16	2	158557-61720	SENSOR, ROTATION	1							
22	2	24341-000480	O-RING, 1AS48.0	1							
23	2	26106-060162	BOLT, M6X 16 PLATED	1							
24	2	26106-080252	BOLT, M8X 25 PLATED	3							
26	2	129008-61301	NUT, SUPPORT	1							
27	2	158553-61780	GEAR, SENSOR	1							
28	2	22190-120002	WASHER, SEAL 12	1							
29	2	26106-060252	BOLT, M6X 25 PLATED	10							

Remarks

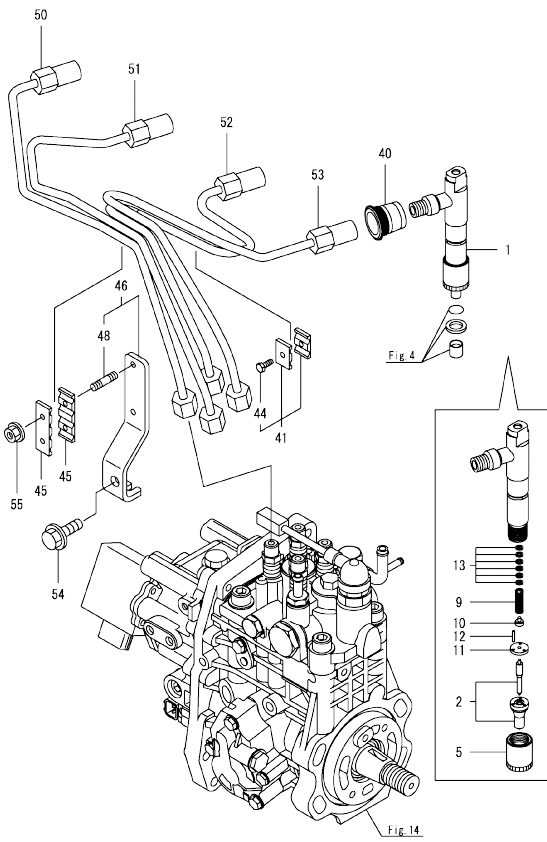
* This figure(Governor) is incorporated in the Fuel Injection Pump(Fig.14).

N:Old $\frac{100}{100}$ New, Q:Old $\frac{100}{100}$ New, R:Old $\frac{100}{100}$ New, S:Old $\frac{100}{100}$ New, W:Add, Z:Discontinued, F:Interchangeable by set, K:Q'ty Change
 Copyright (C) 2018 YANMAR GLOBAL CS CO., LTD. All Rights Reserved.

Fig.16. FUEL INJECTION VALVE

(A)=4TNV98T-ZCXSLC
(B)=
(C)=

(D)=
(E)=
(F)=



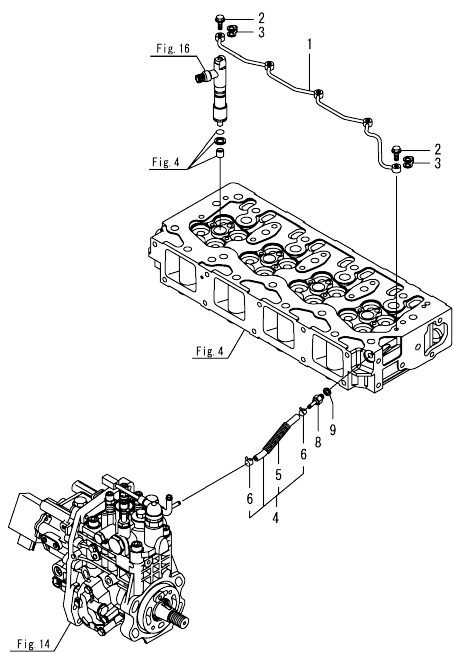
No.	Lev.	Parts No.	Description	Q'ty						I	R
				(A)	(B)	(C)	(D)	(E)	(F)		
1	1	729928-53300	VALVE ASSY,INJECTION	4							
2	2	129672-53010	VALVE ASSY,INJECTION	4							
5	2	114250-53080	NUT, NOZZLE	4							
9	2	114250-53120	SPRING, NOZZLE	4							
10	2	114250-53130	SEAT, SPRING	4							
11	2	114250-53140	SPACER, VALVE STOP	4							
12	2	114250-53210	PIN, POSITIONING	8							
13	2	119803-53400	SHIM SET	4							1
40	1	123907-11601	SEAL, PIPE	4							
41	1	119305-59120	RETAINER, PIPE	1							
44	2	129150-59131	BOLT, M4X14	1							
45	1	123472-59120	RETAINER, PIPE	2							
46	1	129973-59700	SUPPORT ASSY, CLAMP	1							
48	2	26216-060202	STUD, M6X 20	2							
50	1	129973-59810	PIPE ASSY, INJECTION	1							
51	1	129973-59820	PIPE ASSY, INJECTION	1							
52	1	129973-59830	PIPE ASSY, INJECTION	1							
53	1	129973-59840	PIPE ASSY, INJECTION	1							
54	1	26106-080202	BOLT, M8X 20 PLATED	1							
55	1	26366-060002	NUT, M6	2							

Remarks

(1)Spare parts.

OCD50-M03620 ENGINE
 Fig.17. FUEL PIPE

OCD50-M03620 Fig.17



(A)=4TNV98T-ZCXSLC
 (B)=
 (C)=

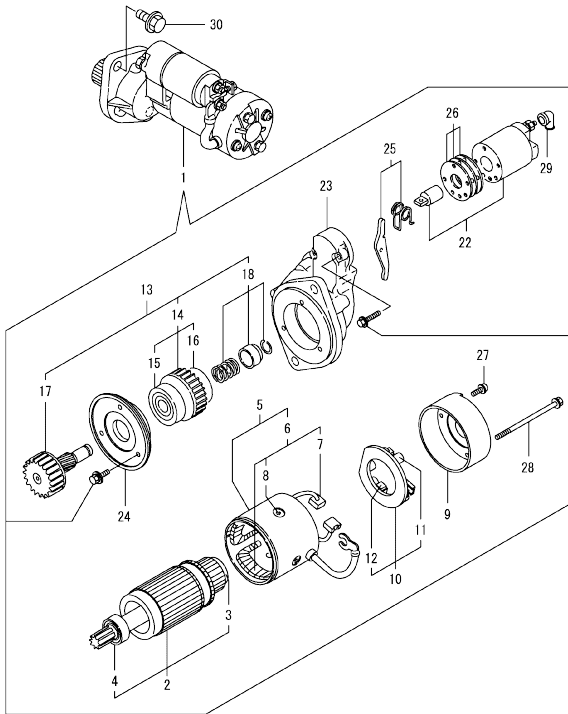
(D)=
 (E)=
 (F)=

No.	Lev.	Parts No.	Description	Q'ty					
				(A)	(B)	(C)	(D)	(E)	(F)
1	1	129907-59140	PIPE ASSY, RETURN	1					
2	1	123907-59540	BOLT, PIPE JOINT M6	5					
3	1	123907-59550	GASKET, FUEL RETURN	5					
4	1	129927-59550	HOSE ASSY, RETURN	1					
5	2	129263-49750	TUBE, CORRUGATED	1					
6	2	124722-59050	CLAMP, HOSE 9	2					
8	1	123907-59560	JOINT, HOSE	1					
9	1	22190-080002	WASHER, SEAL 8	1					

Fig.18. STARTER MOTOR

(A)=4TNV98T-ZCXSLC
(B)=
(C)=

(D)=
(E)=
(F)=

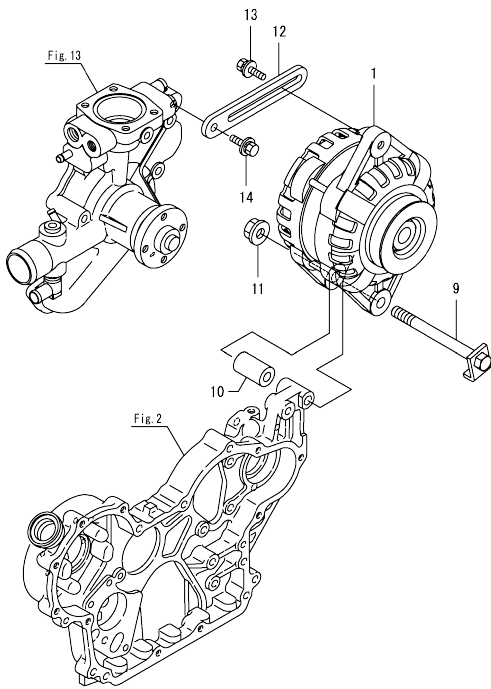


No.	Lev.	Parts No.	Description	Q'ty						I	R
				(A)	(B)	(C)	(D)	(E)	(F)		
1	1	129900-77040	STARTER ASSY	1							1
2	2	129900-77120	ARMATURE ASSY	1							
3	3	171008-77410	BEARING, BALL	1							
4	3	171008-77420	BEARING, BALL	1							
5	2	129900-77130	YOKE ASSY	1							
6	3	129900-77140	COIL ASSY, FIELD	1							
7	4	129900-77450	BRUSH	2							
8	4	171008-77450	SCREW, CORE SET	4							
9	2	129900-77150	COVER, REAR	1							
10	2	129900-77160	HOLDER ASSY, BRUSH	1							
11	3	X2130631300	SPRING, BRUSH	4							
12	3	129900-77450	BRUSH	2							
13	2	129900-77170	CLUTCH ASSY	1							
14	3	129900-77180	CLUTCH ASSY	1							
15	4	X2114955020	BEARING, BALL	1							
16	4	129900-77190	BEARING, BALL 4	1							
17	3	129900-77270	SHAFT, PINION	1							
18	3	171008-77670	STOPPER SET, PINION	1							
22	2	129900-77280	SWITCH ASSY, MAGNET	1							
23	2	129900-77290	CASE, GEAR	1							
24	2	129900-77380	RETAINER, BEARING	1							
25	2	129900-77390	LEVER ASSY, SHIFT	1							
26	2	129900-77420	COVER KIT, DUST	1							
27	2	129900-77430	SCREW, M4X10	2							
28	2	129685-77640	BOLT, THROUGH	2							
29	2	171008-77750	COVER, TERMINAL	1							
30	1	26106-120252	BOLT, M12X 25 PLATED	2							1

Remarks

(1) Loose parts.

Fig.19. GENERATOR

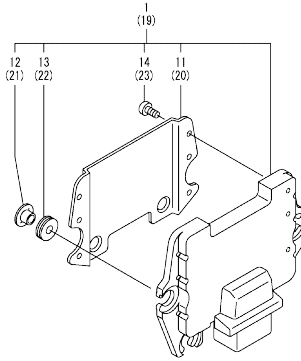


(A)=4TNV98T-ZCXSLC
(B)=
(C)=

(D)=
(E)=
(F)=

No.	Lev.	Parts No.	Description	Q'ty						I	R
				(A)	(B)	(C)	(D)	(E)	(F)		
1	1	129908-77200	ALTERNATOR, 12V	1							
9	1	129908-77220	BOLT, STOPPER M10	1							
10	1	129908-77360	PIECE, DISTANCE	1							
11	1	26306-100002	NUT, M10	1							
12	1	129900-77330	ADJUSTER, BELT	1							
13	1	119810-77340	BOLT, ADJUST L=30	1							
14	1	26014-080252	BOLT, M8X 25	1							

Fig.20. ELECTRONIC CONTROL UNIT(ECU)



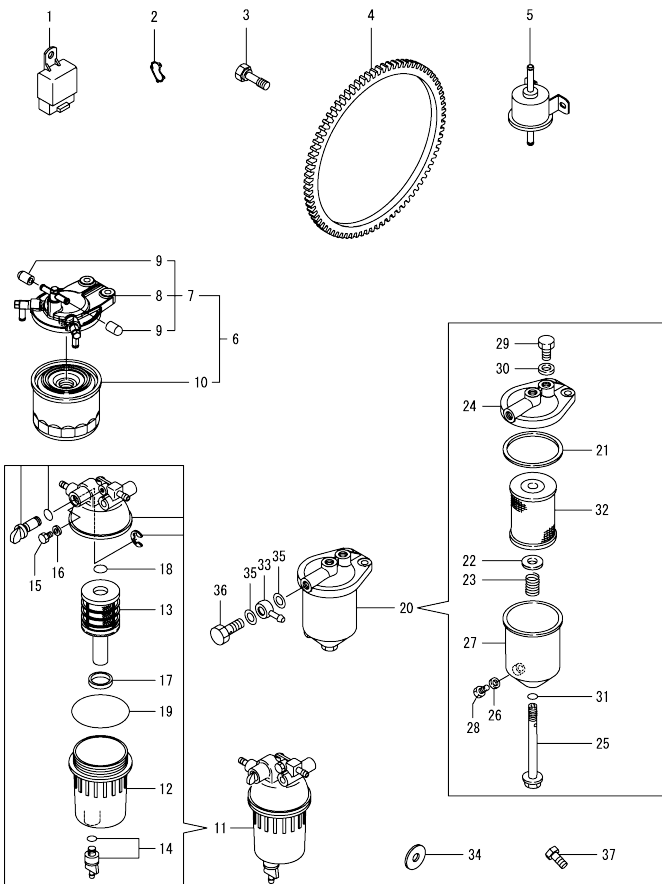
(A)=4TNV98T-ZCXSLC
(B)=
(C)=

(D)=
(E)=
(F)=

No.	Lev.	Parts No.	Description	Q'ty						I	R
				(A)	(B)	(C)	(D)	(E)	(F)		
1	1	129973-75150	ECU ASSY,498T-ZCNLSC	1							1
11	2	129927-77600	SHIELD, ECU	1							
12	2	129927-77680	COLLAR, CONTROLLER	3							
13	2	119578-91351	RUBBER, CUSHION	3							
14	2	22877-500080	SCREW, 5X 8	6							
19	1	129927-75900	ECU ASSY, SERVICE	1							2
20	2	129927-77600	SHIELD, ECU	1							
21	2	129927-77680	COLLAR, CONTROLLER	3							
22	2	119578-91351	RUBBER, CUSHION	3							
23	2	22877-500080	SCREW, 5X 8	6							

Remarks
(1)Eco ECU
This part cannot be ordered.
Replace the part using a Service ECU with the proper engine information installed.
(2)Service ECU
If the proper information is not installed, the engine will not operate.
To install proper information, go to an authorized distributor.

Fig.21. ACCESSORY



(A)=4TNV98T-ZCXSLC
(B)=
(C)=

(D)=
(E)=
(F)=

No.	Lev.	Parts No.	Description	Q'ty						I	R
				(A)	(B)	(C)	(D)	(E)	(F)		
1	1	172B02-17150	RELAY, CA TYPE C	2							
2	1	123901-18080	GASKET	1							
3	1	121850-21130	BOLT, FLYWHEEL	6							
4	1	129900-21600	GEAR, RING	1							
5	1	129612-52100	PUMP, FUEL FEED	1							
6	1	129923-55600	FILTER ASSY, FO	1							
7	2	129973-55610	BRACKET ASSY, FILTER	1							
8	3	119934-55611	BRACKET, FILTER	1							
9	3	129461-59580	CAP, FUEL	2							
10	2	129907-55801	FILTER, FUEL	1							
11	1	129242-55701	SEPARATOR ASSY,WATER	1							
11-1	1	129242-55711	SEPARATOR ASSY,WATER	1							N
(A)=EZ8114A)											
12	2	129242-55720	CUP, SEPARATOR	1							
13	2	129242-55730	ELEMENT, FUEL	1							
14	2	129242-55740	PLUG, DRAIN	1							
15	2	129242-55750	VALVE, AIR VENT	1							
16	2	129242-55760	GASKET, PLUG	1							
17	2	129242-55770	FLOAT	1							
18	2	24311-000160	O-RING, 1AP16.0	1							
19	2	24321-000750	O-RING, 1AG75.0	1							
20	1	129065-55750	SEPARATOR ASSY,WATER	1							
21	2	123325-35140	GASKET	1							
22	2	123325-35160	SEAT, SPRING	1							
23	2	129065-55170	SPRING, FILTER	1							
24	2	129495-55610	BODY, STRAINER	1							
25	2	129495-55620	BOLT	1							
26	2	123672-55760	GASKET	1							
27	2	129065-55760	CASE, SEPARATOR	1							
28	2	129065-55770	PLUG, DRAIN M8	1							
29	2	129065-55800	PLUG, M14	1							
30	2	123678-55890	GASKET, PLUG	1							
31	2	24311-000120	O-RING, 1AP12.0	1							
32	2	41650-550800	ELEMENT, FUEL	1							
33	1	121855-59880	JOINT, FUEL PIPE	2							
34	1	129927-77690	WASHER, ECU	3							
35	1	22190-140002	WASHER, SEAL 14	4							
36	1	23857-080000	BOLT, JOINT 8	2							
37	1	26206-100222	BOLT M10X 22	9							

Parts No. Index

Parts No.	Fig. No.	Ref. No.	Parts No.	Fig. No.	Ref. No.	Parts No.	Fig. No.	Ref. No.	Parts No.	Fig. No.	Ref. No.	
105010-39140	12	4	123325-35160	21	22	129150-59131	16	44	129900-42140	13	4	
		19	123472-59120	16	45	129198-59540	12	4 -1	129900-44760	13	26	
105425-01690	3	4	123672-55760	21	26	129242-55701	21	11	129900-49560	13	30	
114250-53080	16	5	123678-55890	21	30	129242-55711	21	11 -1	129900-77040	18	1	
114250-53120	16	9	123900-25060	7	9	129242-55720	21	12	129900-77120	18	2	
114250-53130	16	10	123901-03240	4	77	129242-55730	21	13	129900-77130	18	5	
114250-53140	16	11	123901-18080	21	2	129242-55740	21	14	129900-77140	18	6	
114250-53210	16	12	123907-11280	4	34	129242-55750	21	15	129900-77150	18	9	
119000-39650	12	36	123907-11550	4	1	129242-55760	21	16	129900-77160	18	10	
119005-35151	11	20	123907-11601	16	40	129242-55770	21	17	129900-77170	18	13	
119005-77051	5	17	123907-11820	4	21	129263-49750	17	5	129900-77180	18	14	
119100-11330	4	57	123907-11830	4	20	129263-77941	14	127	129900-77190	18	16	
119129-77020	5	15	123907-39500	12	11	129403-49050	11	8	129900-77270	18	17	
119131-18320	8	3	123907-59540	17	2	129403-49060	11	7	129900-77280	18	22	
119305-59120	16	41	123907-59550	17	3	129410-03990	4	73	129900-77290	18	23	
119578-91351	20	13	123907-59560	17	8	129418-18320	6	3	129900-77330	19	12	
		22	123908-03199	4	54				129900-77380	18	24	
119593-11301	4	29	123910-39850	12	24	129461-59580	21	9	129900-77390	18	25	
119620-11180	4	14	123912-33050	11	2	129472-18090	8	2	129900-77420	18	26	
119625-11880	4	25	123912-33100	11	3	129495-55610	21	24	129900-77430	18	27	
119761-39450	12	1	123951-18220	5	11	129495-55620	21	25	129900-77450	18	7	
119802-11870	4	24	124070-13300	12	21	129509-79700	4	58			12	
119802-13791	6	11		13	48	129612-52100	21	5	129906-51580	14	61	
119802-51680	14	68	124160-01751	2	13	129657-51590	14	63	129907-01331	1	30	
119802-51690	14	69		4	49	129657-51600	14	64	129907-03011	4	51	
119803-11340	4	15	124160-11340	4	16	129672-53010	16	2	129907-03061	4	52	
119803-53400	16	13	124160-11360	4	63	129685-77640	18	28	129907-03070	4	53	
119810-77340	19	13	124223-39900	12	3	129693-44310	3	7	129907-11110	4	12	
119852-49300	13	13	124465-44950	13	34	129795-01960	10	1	129907-11120	4	13	
119852-51630	14	73	124722-59050	17	6	129900-01200	1	29	129907-11250	4	31	
119852-51640	14	74	128610-14120	10	3	129900-01250	1	4	129907-11260	4	32	
119852-51650	14	76	129005-59830	12	13	129900-01850	2	25	129907-11270	4	33	
119860-34810	11	12	129006-44480	11	5	129900-01870	2	26	129907-11341	4	30	
119934-55611	21	8	129008-51920	14	12	129900-02020	1	6	129907-11510	4	17	
119934-59910	14	134	129008-61301	15	26	129900-02410	1	9	129907-11650	4	35	
120130-22301	9	21	129065-55170	21	23	129900-13251	6	5	129907-11660	4	39	
121252-39150	12	5	129065-55750	21	20	129900-14110	7	6	129907-11800	4	85	
121450-42450	13	33	129065-55760	21	27	129900-14140	2	30	129907-11910	4	26	
121850-21130	21	3	129065-55770	21	28	129900-21220	9	3	129907-11920	4	43	
121850-21290	9	4	129065-55800	21	29	129900-21600	21	4	129907-11950	4	27	
		5	129100-01580	1	26	129900-23001	9	23	129907-12110	5	1	
		10			27	129900-23200	9	26	129907-14400	7	2	
		5			2	129900-23611	9	30	129907-25900	7	15	
121850-21920	9	6	129150-02450	7	4	129900-23911	9	29	129907-51560	14	58	
121850-49550	13	29	129150-11230	4	37	129900-26020	7	16	129907-55801	21	10	
121850-49801	13	31			41	129900-26250	2	31	129907-59140	17	1	
121850-77021	5	16	129150-11750	4	19	129900-32030	2	6	129908-32060	2	4	
121851-11970	13	2			38			11	15	129908-33010	11	1
121855-59880	21	33			42	129900-32040	2	7	129908-33101	11	4	
123325-35140	21	21	129150-14200	7	1	129900-42061	13	19	129908-39410	12	30	

Parts No. Index

Parts No.	Fig. No.	Ref. No.
129908-39690	12	25
129908-49060	11	6
129908-77200	19	1
129908-77220	19	9
129908-77360	19	10
129916-01790	3	13
129916-01800	2	24
129916-21610	9	9
129916-49740	13	15
129917-42160	13	5
129917-42170	13	6
129917-42300	13	10
129917-42310	13	11
129923-55600	21	6
129924-22080	9	13
129927-02340	1	34
129927-02930	1	23
129927-02940	1	37
129927-13810	6	13
		19
129927-13910	6	26
129927-13920	6	27
129927-23600	9	27
129927-25110	7	10
129927-25920	7	18
129927-39060	12	9
129927-44900	13	35
129927-51250	14	141
129927-51650	14	125
129927-51660	14	126
129927-51670	14	129
129927-59550	17	4
129927-75900	20	19
129927-77600	20	11
		20
129927-77680	20	12
		21
129927-77690	21	34
129928-11710	4	2
129928-13410	6	8
		9
129928-13700	5	6
129928-13900	6	25
129928-51390	14	25
129928-51900	14	11
129930-01870	2	19
129930-39050	12	18
129930-42450	13	23
129932-14590	7	3
129933-11310	4	56

Parts No.	Fig. No.	Ref. No.
129940-21650	9	10
129942-21000	9	1
129948-18011	8	1
129951-01740	2	15
129953-25300	7	14
129953-42290	13	24
129956-01710	1	28
129956-01730	3	1
129956-01760	3	3
129956-28009	10	2
129956-28019	10	6
129956-28030	10	2 -1
129956-28040	10	6 -1
129956-28101	10	10
129956-28111	10	11
129956-28180	10	12
129956-28321	9	7
129956-28332	10	13
129956-28341	10	14
129956-34820	11	13
129956-35100	11	16
129956-49230	11	9
129960-03990	13	47
		53
129960-21930	9	11
129960-21940	9	12
129968-01640	3	11
129968-49630	13	37
129968-49640	13	41
129972-01500	2	3
129972-01731	3	2
129972-03200	4	74
129972-03210	4	75
129972-03220	4	76
129972-03280	4	79
129972-03310	4	80
129973-03030	4	70
129973-07910	4	67
129973-11320	4	50
129973-12102	5	3
129973-12110	5	4
129973-12161	5	2
129973-12200	5	5
129973-12850	5	14
129973-13110	6	2
129973-13160	6	1
129973-13400	6	7
129973-13801	6	12
129973-13811	6	14
129973-13820	6	20

Parts No.	Fig. No.	Ref. No.
129973-13840	6	21
129973-18250	5	12
129973-39070	12	2
129973-39670	12	22
129973-42021	13	1
129973-49110	13	49
129973-49650	13	50
129973-49661	13	51
129973-49740	13	52
129973-49780	13	55
129973-55610	21	7
129973-59700	16	46
129973-59810	16	50
129973-59820	16	51
129973-59830	16	52
129973-59840	16	53
129973-75150	20	1
129974-39820	12	26
129975-07900	4	66
129981-49531	13	28
129985-11100	4	11
129985-44710	13	25
129E00-13610	6	10
129E00-13640	6	6
129E00-22050	9	15
144626-51090	14	13
158552-51571	14	59
158552-51580	14	62
158552-51670	14	130
158552-51781	14	101
158552-52100	14	132
158552-52311	14	110
158552-52400	14	111
158552-52500	14	133
158553-51670	14	67
158553-51680	14	79
158553-51930	14	104
	15	2
158553-61780	15	27
158557-51570	14	60
158557-61720	15	16
158563-51150	7	19
158563-51281	14	23
		24
158563-51330	14	35
158600-51270	14	22
158601-51550	14	57
158601-51650	14	128
158601-51770	14	100
158601-51790	14	102

Parts No.	Fig. No.	Ref. No.
171008-77410	18	3
171008-77420	18	4
171008-77450	18	8
171008-77670	18	18
171008-77750	18	29
171051-01921	1	5
171056-49120	11	19
172B02-17150	21	1
175339-79700	13	45
22190-080002	3	8
	12	6
		14
		16
		20
	17	9
22190-120002	13	36
	14	105
		112
		135
	15	28
22190-140002	21	35
22190-160002	3	6
22190-180002	14	106
22217-050000	14	136
22217-180000	14	113
22252-000300	9	22
22312-050140	14	114
22351-030010	12	37
22351-050010	14	115
22351-060012	1	11
22512-070140	7	7
	9	8
22857-500100	4	59
22857-500120	4	60
22877-500080	20	14
		23
23000-022000	4	81
23000-025000	11	10
	12	27
23000-054000	5	13
23065-160500	4	82
23080-012000	13	40
		44
23414-080000	13	20
23414-100000	12	7
23857-030000	12	15
23857-080000	21	36
23876-005000	10	15
23876-020000	4	8
23876-030000	1	12

Parts No. Index

Parts No.	Fig. No.	Ref. No.
23876-030000	1	13
	4	9
		61
	6	15
24311-000070	14	116
24311-000120	4	28
		64
	21	31
24311-000160	21	18
24311-000200	10	17
24311-000320	2	14
	4	65
24321-000600	11	11
24321-000750	21	19
24321-000850	2	20
24341-000480	15	22
24351-030750	2	8
24356-190200	14	70
		117
24356-240210	14	118
24372-000150	14	71
26014-080252	19	14
26106-060102	14	119
26106-060122	4	62
	13	46
	14	137
26106-060142	5	7
26106-060162	12	28
	15	23
26106-060182	5	8
26106-060202	13	17
26106-060252	15	29
26106-060352	14	120
26106-080122	12	8
		17
		29
	13	21
		56
26106-080142	4	84
	7	8
	11	17
26106-080162	2	9
		28
	6	22
		23
	10	16
26106-080202	2	10
		16
	4	68
		69

Parts No.	Fig. No.	Ref. No.
26106-080202	11	18
	14	142
	16	54
26106-080222	6	16
26106-080252	3	9
	13	32
	15	24
26106-080302	3	14
	14	143
26106-080402	2	29
	4	45
	5	18
26106-080452	2	11
		17
26106-080552	5	9
	7	13
	13	22
26106-080602	4	46
		47
	10	18
26106-080652	6	17
26106-080702	2	27
	5	19
26106-080752	2	18
26106-080852	3	10
	5	10
	13	27
26106-100202	2	21
26106-100302	6	24
26106-100402	6	28
26106-101052	6	29
26106-120252	18	30
26116-050102	4	78
26206-100222	21	37
26216-060202	16	48
26216-100302	2	5
26226-080222	4	44
26306-080002	4	48
	6	18
	8	4
26306-100002	2	12
	19	11
26366-060002	16	55
26450-100452	14	121
26577-060142	13	18
26716-050002	14	138
26776-180002	14	122
27241-160000	14	139
27241-300000	1	10
27241-400000	4	10

Parts No.	Fig. No.	Ref. No.
27310-070001	4	22
41650-550800	21	32
729900-02801	1	31
729907-01559	2	22
729927-22950	9	34
729928-22900	9	32
729928-53300	16	1
729973-01560	1	1
729973-51380	14	1
X2114955020	18	15
X2130631300	18	11

Parts No.	Fig. No.	Ref. No.
-----------	----------	----------