

OCD10-M99900EN

PREFACE

1. This parts catalog is the 1st edition of 4TNV98T-ZNTBL for Takeuchi Mfg. Co., Ltd.

Pub.No. : 000Y00D9990

Published : February,2008

2. Model name

Engine model	Vehicle		Vehicle made by
	Products	Model name	
4TNV98T-ZNTBL	Track Loader	TL240	Takeuchi Mfg. Co., Ltd.

Directions for the Parts Catalog.

1. This Parts Catalog shows both standard and optional parts.
2. Parts may change without prior notice.
3. The following is an example of the Parts Catalog format.

REF.	LEV.	PARTS NO.	DESCRIPTION	Q'TY						I	R
				(A)	(B)	(C)	(D)	(E)	(F)		
1	1	729595-51390	FUEL INJECTION PUMP	1	1	1	1	1			1
1-1	1	729595-51391	FUEL INJECTION PUMP	1	1	1	1	1		N	1
		(A=E00185) (B=E00200)									
3	2	26022-060162	SCREW M 6X 16	9	9	9	9	9			
3-1	2	26022-060162	SCREW M 6X 16	4	4	4	4	4		K	
		(A=E00156) (B=E00156) (C=E00156) (D=E00156) (E=E00156)									
4	2	129470-51040	CAMSHAFT	1	1	1	1	1			
5	2	122710-51050	BEARING, ROLLER	2	2	2	2	2			
6	2	129470-51060	RETAINER	1	1	1	1	1			

Remarks
(1) BOOST COMPEMSATOR TYPE. OPTIONAL PART, TO E00155,(4JH-DT, 4JH-DTZ

① Ref. No.

The Ref. No. listed may not be in accordance with the illustration Ref. No.

(Ex.) Illustration No. List Ref No.

1 1 (Before change) → 1-1 (After change)

For interchangeable symbols N, R and K, illustrations for new parts may be abbreviated.

② Lev. (Level)

Level indication

The numbers below indicate the level of relativity towards the main part.

1 ---- Main parts (Assembly parts)

2 ---- Sub component included in " 1 ".

3 ---- Sub component included in " 2 ".

Note) Parts that are not for sale are partially illustrated but not listed.

③ Interchangeability Symbol

When a part change takes place, one of the following interchangeability symbols is indicated beside the part.

Symbol	Interchangeability	Contents note
N	Old $\begin{matrix} \leftarrow \text{Yes} \\ \text{No} \rightarrow \end{matrix}$ New	New Part is interchangeable for Old Part but Old Part is not interchangeable for New Part.
Q	Old $\begin{matrix} \leftarrow \text{No} \\ \text{Yes} \rightarrow \end{matrix}$ New	New Part is not interchangeable for Old Part but Old Part is interchangeable for New Part.
R	Old $\begin{matrix} \leftarrow \text{Yes} \\ \text{Yes} \rightarrow \end{matrix}$ New	New/ Old Parts are both interchangeable.
S	Old $\begin{matrix} \leftarrow \text{No} \\ \text{No} \rightarrow \end{matrix}$ New	New/ Old Parts are both not interchangeable.
W		Part newly added.
Z		Part discontinued.
F		Not interchangeable by a single part but interchangeable together with related parts.
K		Changes only for used parts quantities.

④ Effective Machine No.

When a part changes, the effective Machine No. will be indicated in the (A)-(F) column.

Product Symbol	Product No.	Product Symbol	Product No.
C	Clutch No. Compressor No.	F	Machine No. (Agricultural Equip.)
D	Drive No.	M	Machine No.
E	Engine No.		

Note 1) A date may follow the symbol. (Ex.) 1996.01

Note 2) "XXXXX" and "ZZZZZ" are for parts that could not be predicted or for engine models that could not be identified.

Note 3) (A=E00185) is the E (Engine Serial Number) for the column (A) model (in this case 4JH-DT) after the parts design change.

⑤ Remarks

Figures or alphabets (symbols) are entered in the remarks column.

The comments (remarks) on parts that are indicated at the bottom of the illustration are the same symbols as those stated above.

Contents

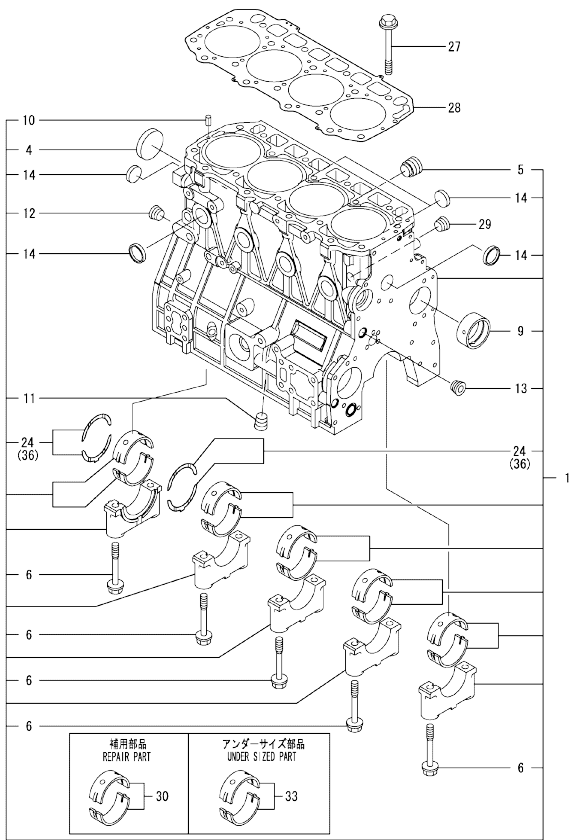
0CD10-M99900

Fig. No.	Fig. Name	Fig. No.	Fig. Name
4TNV98T-ZNTBL			
1.	CYLINDER BLOCK		
2.	GEAR HOUSING		
3.	FLYWHEEL HOUSING & OIL SUMP		
4.	CYLINDER HEAD & BONNET		
5.	SUCTION MANIFOLD & AIR CLEANER		
6.	EXHAUST MANIFOLD & SILENCER		
7.	CAMSHAFT & DRIVING GEAR		
8.	TURBINE		
9.	CRANKSHAFT & PISTON		
10.	LUB.OIL SYSTEM		
11.	LUB.OIL LINE		
12.	COOLING WATER SYSTEM		
13.	FUEL INJECTION PUMP		
14.	GOVERNOR		
15.	FUEL INJECTION VALVE		
16.	FUEL LINE		
17.	STARTING MOTOR		
18.	GENERATOR		
19.	ELECTRONIC CONTROL UNIT (ECU)		
20.	GASKET SET		
21.	LOOSE PART		

Fig.1. CYLINDER BLOCK

(A)=4TNV98T-ZNTBL
(B)=
(C)=

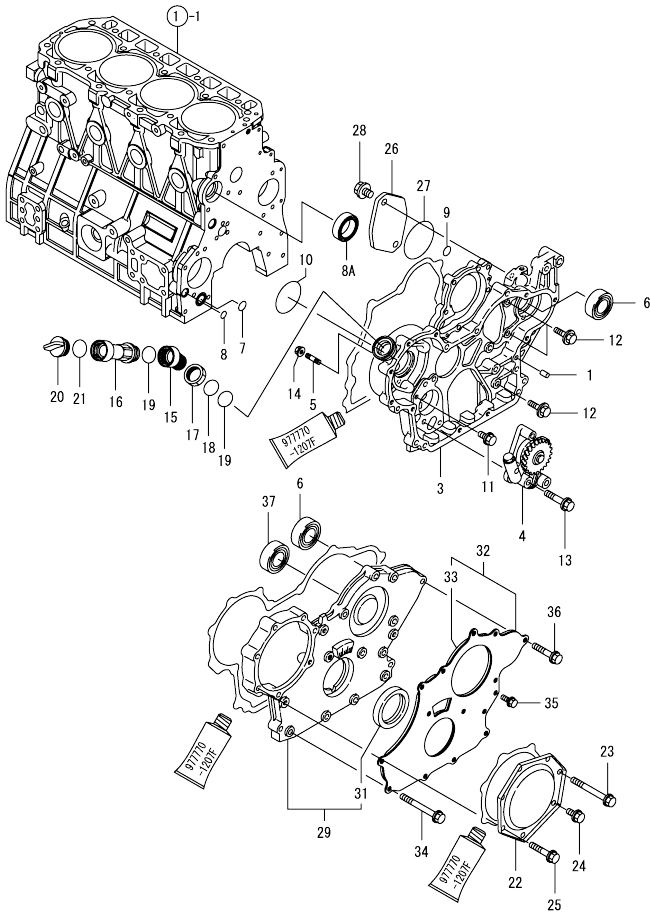
(D)=
(E)=
(F)=



No.	Lev.	Parts No.	Description	Q'ty						I	R
				(A)	(B)	(C)	(D)	(E)	(F)		
1	1	729928-01560	BLOCK ASSY, CYLINDER	1							
4	2	129900-01250	PLUG, DISH TYPE 55	1							
5	2	171051-01921	PLUG, NPTF1	1							
6	2	129900-02020	BOLT, METAL CAP	10							
9	2	129900-02410	BUSH, CAMSHAFT	1							
10	2	22351-060012	PIN, SPRING 6.0X12	2							
11	2	23876-030000	PLUG, R03	1							
12	2	23876-030000	PLUG, R03	1							
13	2	23876-030000	PLUG, R03	1							
14	2	27241-300000	PLUG 30	8							
24	2	129900-02931	BEARING ASSY, THRUST	2							
27	1	129900-01200	BOLT, CYLINDER HEAD	18							
28	1	129907-01331	GASKET, HEAD	1							
29	1	23876-030000	PLUG, R03	1							
30	1	729900-02801	BEARING, MAIN	5							1
33	1	129900-02341	BEARING ASSY, MAIN	5							2
36	1	129900-02941	BEARING, THRUST 0.25	2							3

Remarks
(1) REPAIR PART.
(2) UNDER-SIZED(U.S=0.25)PART.
(3) OVER-SIZED(O.S=0.25)PART.

OCD10-M99900 4TNV98T-ZNTBL
 Fig.2. GEAR HOUSING



OCD10-M99900 Fig.2

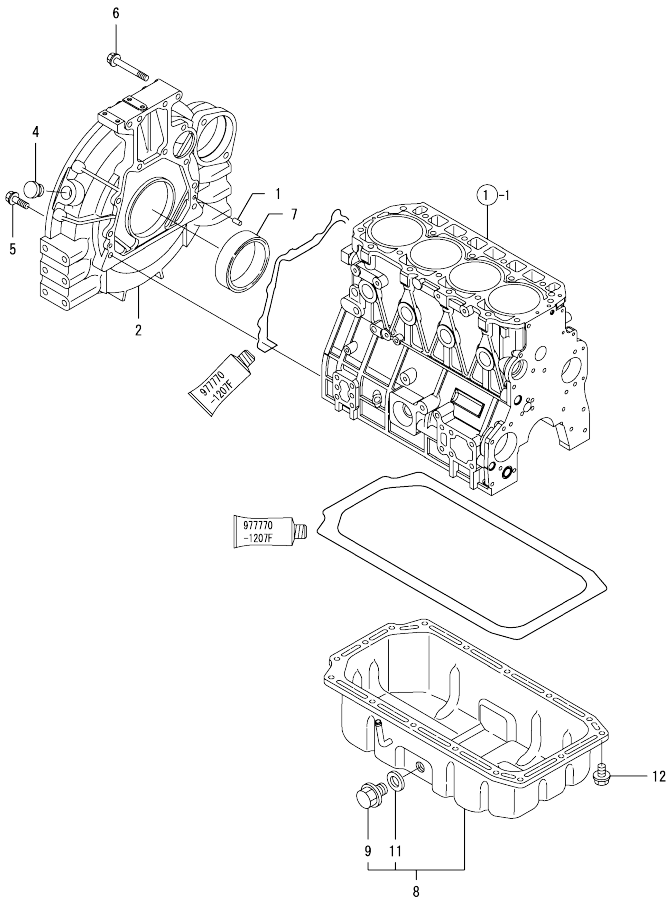
(A)=4TNV98T-ZNTBL
 (B)=
 (C)=

(D)=
 (E)=
 (F)=

No.	Lev.	Parts No.	Description	Qty						I	R
				(A)	(B)	(C)	(D)	(E)	(F)		
1	1	129100-01580	PIN, PARALLEL 8X16	4							
3	1	129933-01500	CASE, GEAR	1							
4	1	129908-32060	PUMP ASSY, OIL	1							
5	1	26216-100302	STUD, M10X 30	4							
6	1	129900-26250	BEARING, BALL 6206C3	2							
7	1	129900-32030	O-RING, P20	1							
8	1	129900-32040	O-RING, P14	1							
8A	1	129927-42140	GASKET, PUMP OUTLET	1							W
(A=2014.09)											
9	1	24311-000070	O-RING, 1AP7.0	1							
10	1	24351-030750	O-RING, 1A3075	1							
11	1	26106-080162	BOLT, M8X 16 PLATED	1							
12	1	26106-080202	BOLT, M8X 20 PLATED	3							
13	1	26106-080452	BOLT, M8X 45 PLATED	3							
14	1	26306-100002	NUT, M10	4							
15	1	119225-11740	ADAPTER	1							
16	1	121027-11743	PIPE	1							
17	1	119225-11750	NUT	1							
18	1	24311-000300	O-RING, 1AP30.0	1							
19	1	24311-000320	O-RING, 1AP32.0	2							
20	1	124160-01751	CAP, FILLER	1							
21	1	24311-000320	O-RING, 1AP32.0	1							
22	1	129900-01740	COVER	1							
23	1	129001-91810	BOLT, M8X70	1							
24	1	26106-080162	BOLT, M8X 16 PLATED	1							
25	1	26106-080402	BOLT, M8X 40 PLATED	5							
26	1	121023-26070	COVER, PUMP	1							
27	1	24321-000850	O-RING, 1AG85.0	1							
28	1	26106-100202	BOLT, M10X 20 PLATED	2							
29	1	729907-01559	COVER ASSY, GEAR CASE	1							
31	2	129916-01800	SEAL, OIL	1							
32	1	129900-01850	COVER ASSY, GEAR CASE	1							
33	2	129900-01870	SPONGE, GEAR CASE	1							
34	1	129001-91810	BOLT, M8X70	6							
35	1	26106-080162	BOLT, M8X 16 PLATED	3							
36	1	26106-080402	BOLT, M8X 40 PLATED	5							
37	1	129900-14140	BEARING, BALL 6205	1							W
(A=EZZZZZ)											

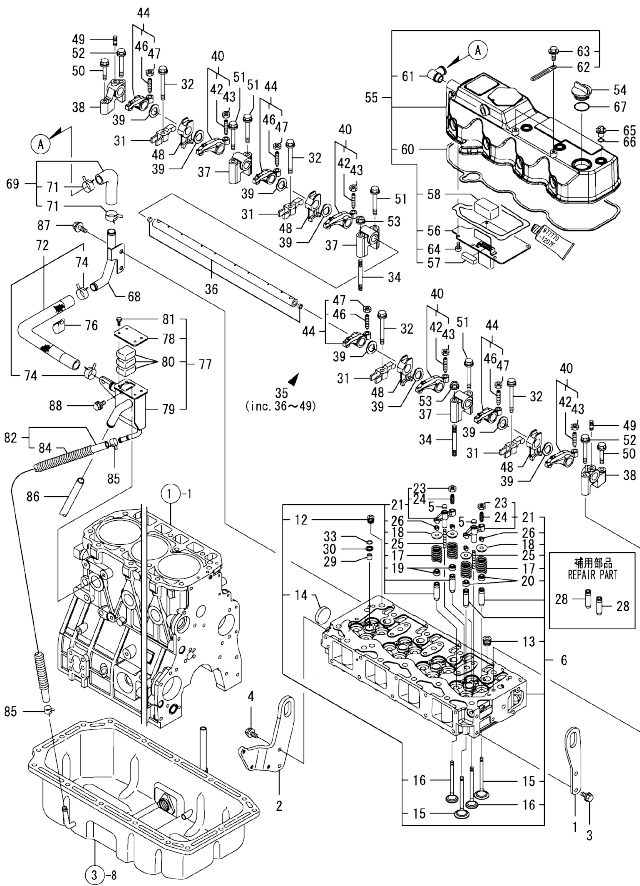
N:Old $\frac{New}{Old}$ New, Q:Old $\frac{New}{Old}$ New, R:Old $\frac{New}{Old}$ New, S:Old $\frac{New}{Old}$ New, W:Add, Z:Discontinued, F:Interchangeable by set, K:Qty Change
 Copyright (C) YANMAR GLOBAL CS CO., LTD. All Rights Reserved.

Fig.3. FLYWHEEL HOUSING & OIL SUMP



No.	Lev.	Parts No.	Description	Q'ty						I	R
				(A)	(B)	(C)	(D)	(E)	(F)		
1	1	129100-01580	PIN, PARALLEL 8X16	2							
2	1	129953-01620	HOUSING, FLYWHEEL	1							
4	1	119620-01750	CAP	1							
5	1	26206-100352	BOLT, M10X 35 PLATED	9							
6	1	26206-100702	BOLT, M10X 70 PLATED	4							
7	1	129916-01790	SEAL, D115/95XT11	1							
8	1	129928-01710	OIL PAN ASSY	1							
9	2	119640-01640	PLUG, DRAIN M22	1							
11	2	22190-220002	WASHER, SEAL 22	1							
12	1	26106-080122	BOLT, M8X 12 PLATED	16							

Fig.4. CYLINDER HEAD & BONNET



(A)=4TNV98T-ZNTBL
(B)=
(C)=

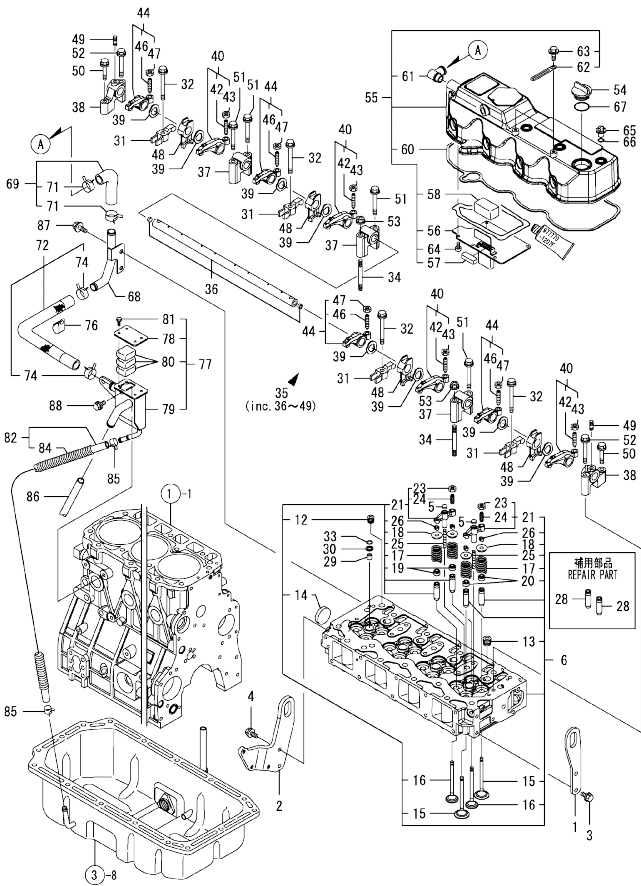
(D)=
(E)=
(F)=

No.	Lev.	Parts No.	Description	Q'ty						I	R
				(A)	(B)	(C)	(D)	(E)	(F)		
1	1	129907-07900	LIFTER, ENGINE	1							
2	1	129928-07900	LIFTER, ENGINE	1							
3	1	26106-080162	BOLT, M8X 16 PLATED	2							
4	1	26106-080202	BOLT, M8X 20 PLATED	2							
5	1	123907-11550	SEAT, VALVE BRIDGE	8							
6	1	129928-11700	HEAD ASSY, CYLINDER	1							
12	2	23876-020000	PLUG, R02	1							
13	2	23876-030000	PLUG, R03	4							
14	2	27241-400000	PLUG, 40	1							
15	2	129907-11100	VALVE, SUCTION	8							
16	2	129907-11110	VALVE, EXHAUST	8							
17	2	129907-11120	SPRING, VALVE	16							
18	2	119620-11180	RETAINER, SPRING	16							
19	2	119803-11340	SEAL, VALVE STEM	8							
20	2	124160-11340	SEAL, VALVE STEM	8							
21	2	129907-11510	BRIDGE ASSY, VALVE	8							
23	3	129150-11750	NUT, M8	8							
24	3	123907-11830	ADJUSTER	8							
25	2	123907-11820	GUIDE, BRIDGE	8							
26	2	27310-070001	COTTER, 7	16							
28	1	129907-11800	GUIDE, VALVE	16							1
29	1	119802-11870	PROTECTOR, NOZZLE	4							
30	1	119625-11880	SEAT, NOZZLE	4							
31	1	129907-11910	RETAINER, NOZZLE	4							
32	1	129907-11950	BOLT, M8X75	4							
33	1	24311-000120	O-RING, 1AP12.0	4							
34	1	119593-11301	BOLT, STUD M8X80	2							
35	1	129907-11341	SHAFT ASSY, ROCKER	1							
36	2	129907-11250	SHAFT, ROCKER ARM	1							
37	2	129907-11260	SUPPORT, ROCKER ARM	3							
38	2	129907-11270	SUPPORT, ROCKER ARM	2							
39	2	123907-11280	WASHER	8							
40	2	129907-11650	ARM ASSY, ROCKER	4							
42	3	129150-11230	SCREW, VALVE ADJUST	4							
43	3	129150-11750	NUT, M8	4							
44	2	129907-11660	ARM ASSY, ROCKER	4							
46	3	129150-11230	SCREW, VALVE ADJUST	4							
47	3	129150-11750	NUT, M8	4							
48	2	129907-11920	RETAINER, NOZZLE	4							
49	2	26226-080222	STUD, M8X 22	2							
50	1	26106-080402	BOLT, M8X 40 PLATED	2							
51	1	26106-080602	BOLT, M8X 60 PLATED	4							
52	1	26106-080602	BOLT, M8X 60 PLATED	2							
53	1	26306-080002	NUT, M8	2							
54	1	124160-01751	CAP, FILLER	1							
55	1	129928-11320	BONNET ASSY, HEAD	1							
56	2	129907-03011	PLATE, BAFFLE	1							
57	2	129907-03061	BAFFLE, BREATHER	1							
58	2	129907-03070	BAFFLE, BREATHER	1							
60	2	129933-11310	GASKET, BONNET	1							
61	2	119100-11330	ELBOW, BREATHER	1							

Remarks
(1) REPAIR PART.

N:Old, New, Q:Old, New, R:Old, New, S:Old, New, W:Add, Z:Discontinued, F:Interchangeable by set, K:Q'ty Change
++ CONTINUE ++
Copyright (C) YANMAR GLOBAL CS CO., LTD. All Rights Reserved.

Fig.4. CYLINDER HEAD & BONNET



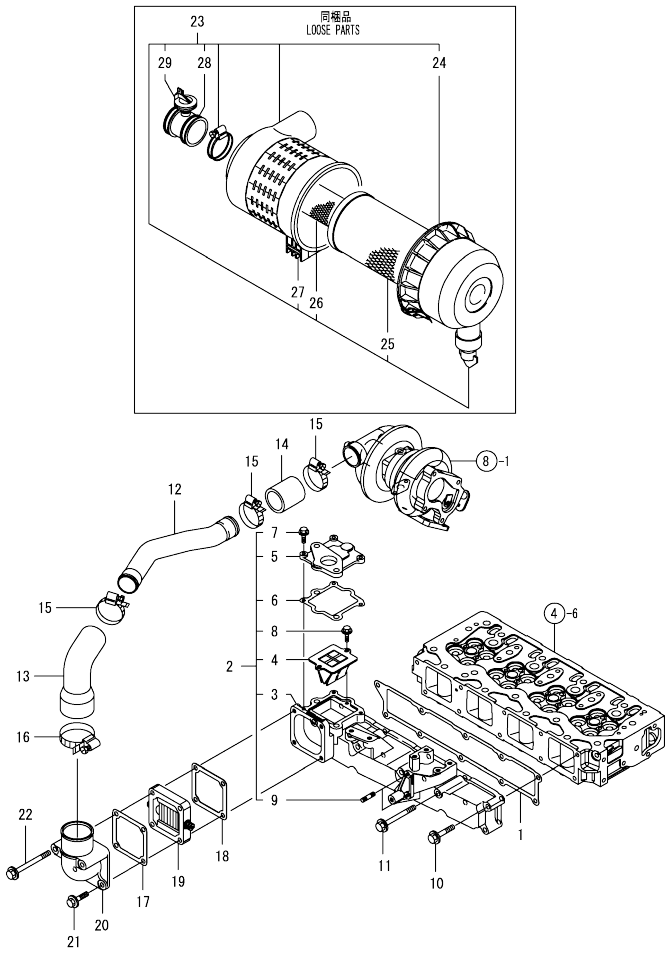
(A)=4TNV98T-ZNTBL
(D)=
(E)=
(F)=

(A) (B) (C) (D) (E) (F) I R

No.	Lev.	Parts No.	Description	(A)	(B)	(C)	(D)	(E)	(F)	I	R
62	2	129509-79700	CLAMP, 140-M6								
63	2	26106-060122	BOLT, M6X 12 PLATED								
64	2	22857-500100	SCREW, 5X10								
65	1	124160-11360	KNOB								
66	1	24311-000120	O-RING, 1AP12.0								
67	1	24311-000320	O-RING, 1AP32.0								
68	1	129928-03050	PIPE, BREATHER								
69	1	129928-03060	HOSE ASSY, BREATHER								
71	2	129410-03990	CLAMP, HOSE 21.5								
72	1	129928-03080	HOSE ASSY, BREATHER								
74	2	129410-03990	CLAMP, HOSE 21.5								
76	1	129150-03100	RETAINER, PIPE								
77	1	129972-03240	SEPARATOR ASSY, MIST								
78	2	129972-03220	COVER, SEPARATOR								
79	2	129972-03230	SEPARATOR, MIST								
80	2	123901-03240	FILTER								
81	2	26116-050102	BOLT, M5X 10 PLATED								
82	1	129928-03300	HOSE ASSY, RETURN								
84	2	129928-59130	TUBE, CORRUGATED 19								
85	1	23000-019000	CLAMP, 19								
86	1	23065-160250	PIPE, 16X 250								
87	1	26106-080122	BOLT, M8X 12 PLATED								
88	1	26106-080142	BOLT, M8X 14 PLATED								

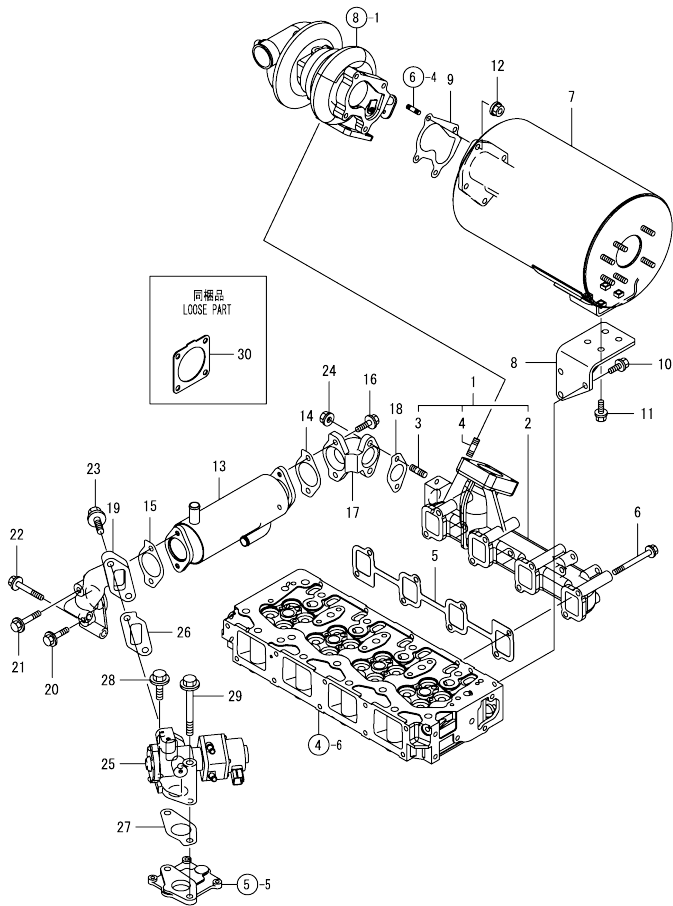
Remarks
(1) REPAIR PART.

Fig.5. SUCTION MANIFOLD & AIR CLEANER



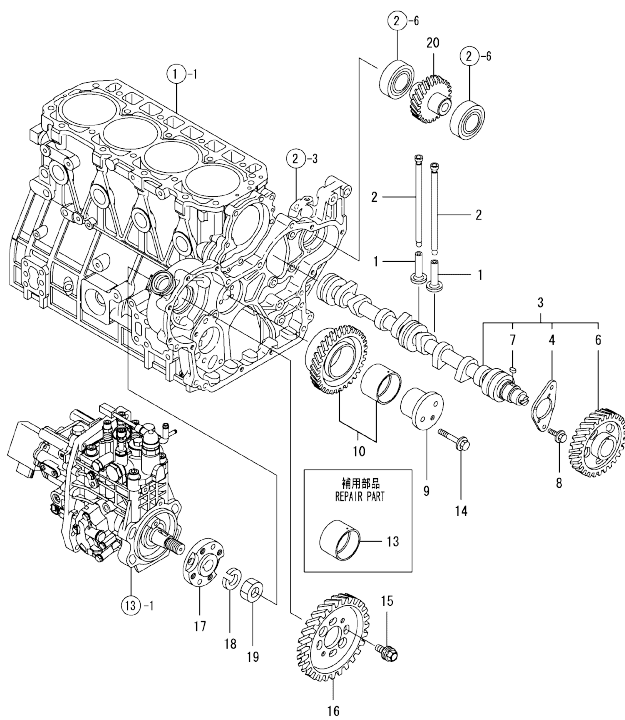
No.	Lev.	Parts No.	Description	Q'ty						I	R
				(A)	(B)	(C)	(D)	(E)	(F)		
1	1	129907-12110	GASKET, MANIFOLD	1							
2	1	129928-12150	MANIFOLD ASSY,INTAKE	1							
3	2	129928-12100	MANIFOLD, AIR INTAKE	1							
4	2	129928-13700	VALVE, LEAD	1							
5	2	129928-13710	SPACER, EGR VALVE	1							
6	2	129928-13720	GASKET	1							
7	2	26106-060202	BOLT, M6X 20 PLATED	3							
8	2	26106-060202	BOLT, M6X 20 PLATED	2							
9	2	26216-060202	STUD, M6X 20	2							
10	1	26106-080452	BOLT, M8X 45 PLATED	6							
11	1	26106-080802	BOLT, M8X 80 PLATED	4							
12	1	129928-18200	DUCT, AIR	1							
13	1	129974-18210	JOINT, RUBBER	1							
14	1	123951-18220	JOINT, RUBBER	1							
15	1	23000-054000	CLAMP, 54	3							
16	1	23000-070000	CLAMP, 70	1							
17	1	119129-77020	GASKET	1							
18	1	121850-77021	GASKET, AIR HEATER	1							
19	1	119005-77051	HEATER, AIR	1							
20	1	119129-77520	BEND	1							
21	1	26106-080402	BOLT, M8X 40 PLATED	2							
22	1	26106-080902	BOLT, M8X 90 PLATED	2							
23	1	129949-12510	CLEANER ASSY, AIR	1							
24	2	129949-12610	HOUSING, CLEANER	1							
25	2	129948-12621	ELEMENT, AIR CLEANER	1							
26	2	129948-12630	ELEMENT, AIR CLEANER	1							
27	2	129948-12640	BRACKET	1							
28	2	129948-12650	JOINT	1							
29	2	129948-12660	INDICATOR, CLEANER	1							

Fig.6. EXHAUST MANIFOLD & SILENCER



No.	Lev.	Parts No.	Description	Q'ty						I	R
				(A)	(B)	(C)	(D)	(E)	(F)		
1	1	129928-13150	MANIFOLD ASSY, EXH.	1							
2	2	129928-13100	MANIFOLD, EXHAUST	1							
3	2	129418-18320	BOLT, STUD M8X20	2							
4	2	129418-18320	BOLT, STUD M8X20	4							
5	1	129900-13251	GASKET, EXH.MANIFOLD	1							
6	1	123900-13630	BOLT, M8X80	8							
7	1	129908-13510	SILENCER	1							
8	1	129935-13600	STAY, SILENCER	1							
9	1	123901-18080	GASKET	1							
10	1	26106-080162	BOLT, M8X 16 PLATED	3							
11	1	26106-080202	BOLT, M8X 20 PLATED	4							
12	1	26306-080002	NUT, M8	4							
13	1	129928-13400	COOLER ASSY, EGR	1							
14	1	129928-13410	GASKET	1							
15	1	129928-13410	GASKET	1							
16	1	119802-13790	BOLT, M8X25 10.9T	2							
17	1	129928-13800	PIPE, EGR IN	1							
18	1	129927-13810	GASKET	1							
19	1	129928-13810	PIPE, EGR OUT	1							
20	1	26106-080352	BOLT, M8X 35 PLATED	1							
21	1	26106-080452	BOLT, M8X 45 PLATED	1							
22	1	26106-080552	BOLT, M8X 55 PLATED	2							
23	1	26106-100252	BOLT, M10X 25 PLATED	2							
24	1	26306-080002	NUT, M8	2							
25	1	129927-13900	VALVE, EGR	1							
26	1	129927-13910	GASKET, EGR	1							
27	1	129927-13920	GASKET, EGR	1							
28	1	26106-100402	BOLT, M10X 40 PLATED	1							
29	1	26106-101052	BOLT, M10X105 PLATED	1							
30	1	129930-13201	GASKET, SILENCER	1							

Fig.7. CAMSHAFT & DRIVING GEAR



(A)=4TNV98T-ZNTBL
(B)=
(C)=

(D)=
(E)=
(F)=

No.	Lev.	Parts No.	Description	Q'ty						I	R
				(A)	(B)	(C)	(D)	(E)	(F)		
1	1	129150-14200	TAPPET	8							
2	1	129907-14400	PUSH-ROD	8							
3	1	129908-14590	CAMSHAFT ASSY	1							
4	2	129150-02450	BEARING, THRUST	1							
6	2	129900-14110	GEAR, CAMSHAFT	1							
7	2	22512-070140	KEY, 7X 14	1							
8	1	26106-080162	BOLT, M8X 16 PLATED	2							
9	1	123900-25060	SHAFT, IDLE GEAR	1							
10	1	129900-25110	GEAR ASSY, IDLE	1							
13	1	129150-25920	BUSH, IDLE GEAR	1							1
14	1	26106-080552	BOLT, M8X 55 PLATED	3							
15	1	129953-25300	BOLT	4							
16	1	129907-25900	GEAR, PUMP	1							
17	1	158563-51150	FLANGE	1							
18	1	22217-180000	WASHER, SPRING 18	1							
19	1	26776-180002	NUT, LOCK M18	1							
20	1	129900-26020	GEAR ASSY, PUMP	1							

Remarks
(1) REPAIR PART.

Fig.8. TURBINE

(A)=4TNV98T-ZNTBL
(B)=
(C)=

(D)=
(E)=
(F)=

No.	Lev.	Parts No.	Description	Q'ty						I	R
				(A)	(B)	(C)	(D)	(E)	(F)		
1	1	129935-18010	TURBOCHARGER, RHF5	1							
2	1	129472-18090	GASKET	1							
3	1	26306-080002	NUT, M8	4							
4	1	119131-18320	BOLT, STUD M8X22	4							W
(A=EXXXXX)											

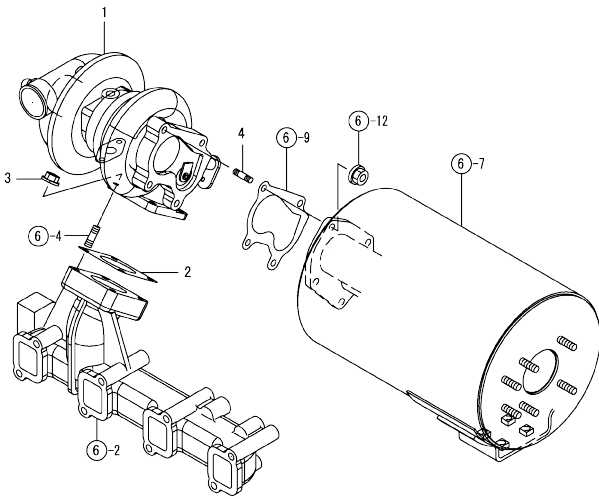
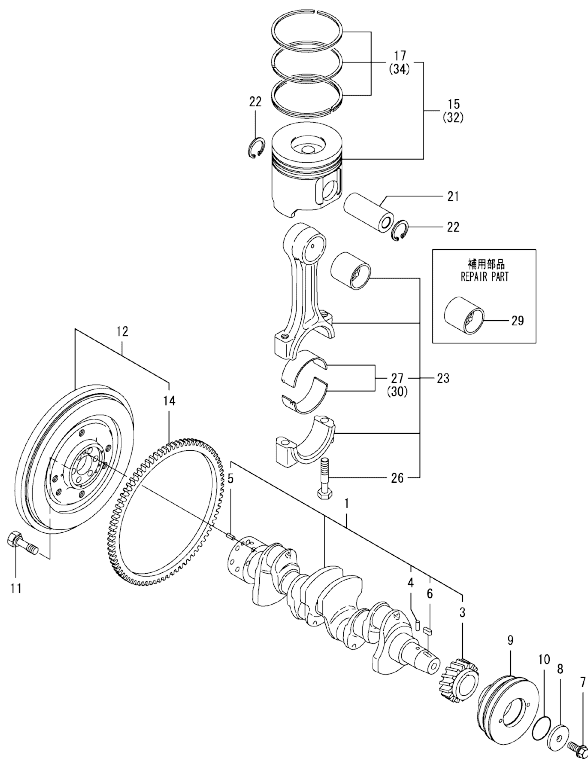


Fig.9. CRANKSHAFT & PISTON

(A)=4TNV98T-ZNTBL
(B)=
(C)=

(D)=
(E)=
(F)=

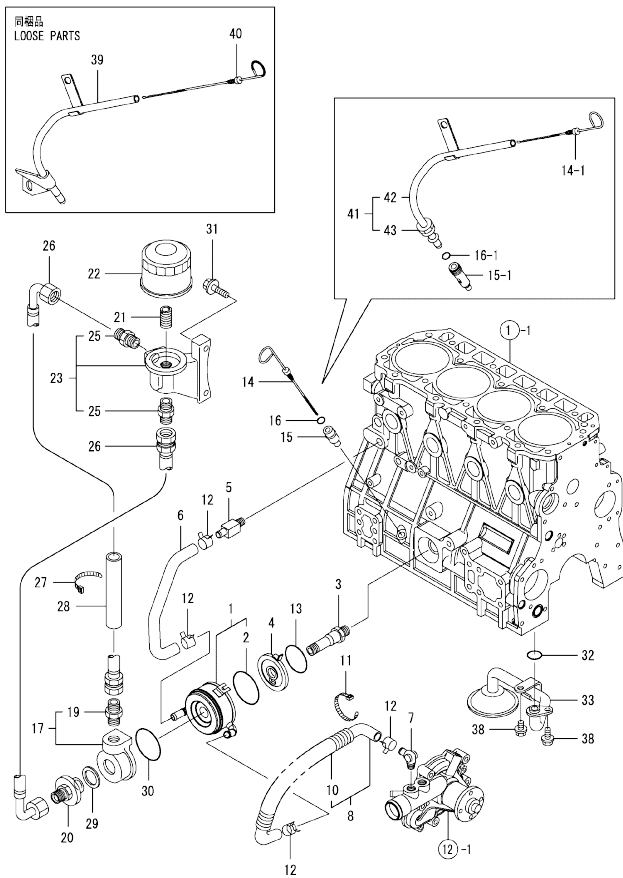


No.	Lev.	Parts No.	Description	Q'ty						I	R
				(A)	(B)	(C)	(D)	(E)	(F)		
1	1	129908-21100	CRANKSHAFT ASSY	1							
3	2	129900-21220	GEAR, CRANKSHAFT	1							
4	2	121850-21290	PIN	1							
5	2	121850-21920	PIN, PARALLEL 10X22	1							
6	2	22512-070140	KEY, 7X 14	1							
7	1	129916-21610	BOLT	1							
8	1	129960-21640	WASHER	1							
9	1	129916-21680	V-PULLEY, CRANKSHAFT	1							
10	1	24341-000530	O-RING, 1AS53.0	1							
11	1	121850-21130	BOLT, FLYWHEEL	6							
12	1	129949-21560	FLYWHEEL ASSY	1							
14	2	129900-21600	GEAR, RING	1							
15	1	129928-22080	PISTON ASSY	4							
17	2	129927-22050	RING SET, PISTON	4							
21	1	120130-22301	PIN, PISTON	4							
22	1	22252-000300	RING, 30	8							
23	1	129900-23001	ROD ASSY, CONNECTING	4							
26	2	129900-23200	BOLT, CONNECTING ROD	8							
27	2	129900-23601	BEARING, CRANK PIN	4							
29	1	129900-23911	BEARING, PISTON PIN	4							1
30	1	129900-23611	BEARING ASSY, 0.25US	4							2
32	1	729928-22900	PISTON ASSY, 0.25 OS	4							3
34	2	729927-22950	RING SET, 0.25 OS	4							3

Remarks

- (1) REPAIR PART.
- (2) UNDER-SIZED(U.S=0.25)PART.
- (3) OVER-SIZED(O.S=0.25)PART.

Fig.10. LUB.OIL SYSTEM



(A)=4TNV98T-ZNTBL
(B)=
(C)=

(D)=
(E)=
(F)=

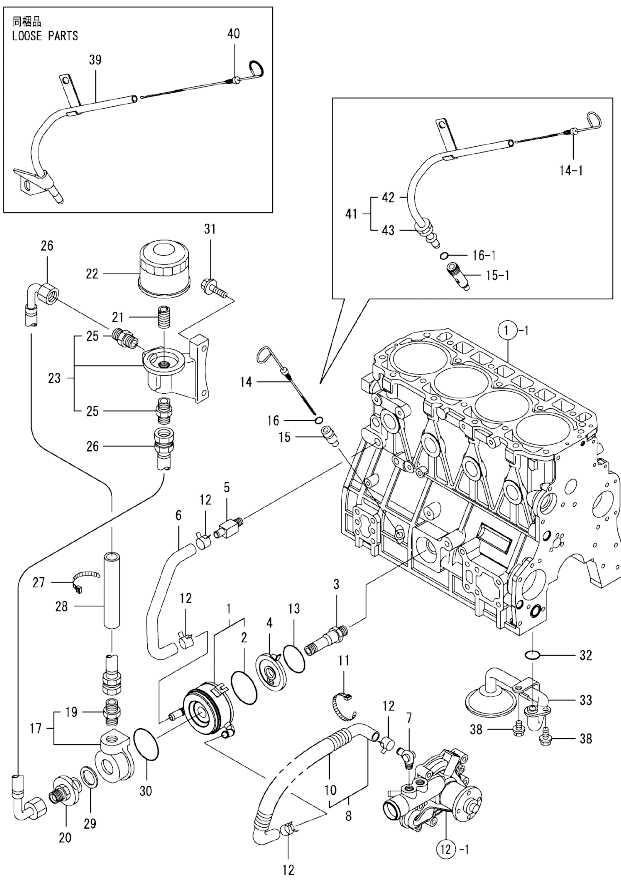
No.	Lev.	Parts No.	Description	Q'ty						I	R
				(A)	(B)	(C)	(D)	(E)	(F)		
1	1	129908-33010	COOLER ASSY, OIL	1							
2	2	123912-33050	O-RING	1							
3	1	123912-33100	BOLT, COOLER	1							
4	1	129908-33101	BRACKET, OIL COOLER	1							
5	1	129006-44480	JOINT	1							
6	1	129908-49060	HOSE, WATER	1							
7	1	129466-49300	ELBOW, PT3/8	1							
8	1	123910-49600	HOSE ASSY WATER	1							
10	2	123910-49610	TUBE, CORRUGATED	1							
11	1	121750-59890	BAND, NYLON	1							
12	1	23000-025000	CLAMP, 25	4							
13	1	24321-000600	O-RING, 1AG60.0	1							
14	1	129939-34800	DIPSTICK, OIL	1							
14-1	1	129951-34801	DIPSTICK	1							S
(A=08.08.21)											
15	1	119260-34810	GUIDE, DIPSTICK	1							
15-1	1	129939-34860	GUIDE, DIPSTICK	1							S
(A=08.08.21)											
15-2	1	129939-34861	GUIDE, DIPSTICK	1							N
(A=2008.10.)											
15-3	1	129939-34862	GUIDE, DIPSTICK	1							N
(A=2008.11.)											
15-4	1	129939-34863	GUIDE, DIPSTICK	1							N
(A=2008.12.)											
16	1	24311-240100	O-RING, 1AP10A	1							
16-1	1	24316-240100	O-RING, 4DP10A	1							S
(A=08.08.21)											
17	1	123945-35110	CASE ASSY	1							
19	2	129953-39500	ADAPTER, R-G1/2	1							
19-1	2	129953-39501	ADAPTER	1							N
(A=E169605)											
20	1	129953-35110	RETAINER, CASE	1							
21	1	119000-35140	BOLT, STUD FILTER	1							
22	1	129150-35153	FILTER ASSY, D80X80L	1							1
23	1	129949-35210	BRACKET ASSY	1							
25	2	129953-39500	ADAPTER, R-G1/2	2							
25-1	2	129953-39501	ADAPTER	2							N
(A=E169605)											
26	1	123945-39101	PIPE, OIL	2							
27	1	198220-51870	BAND, NYLON 200	1							
28	1	119595-59300	PROTECTOR	1							
29	1	22190-300002	WASHER, SEAL 30	1							
30	1	24321-000700	O-RING, 1AG70.0	1							
31	1	26106-100452	BOLT, M10X 45 PLATED	2							
32	1	129900-32030	O-RING, P20	1							
33	1	129900-35000	PIPE ASSY, OIL INLET	1							
38	1	26106-080122	BOLT, M8X 12 PLATED	2							
39	1	129939-34810	GUIDE, DIPSTICK	1							Z
(A=08.08.21)											
40	1	129939-34830	DIPSTICK, OIL	1							Z
(A=08.08.21)											

Remarks
(1) REPAIR PART.

N:Old $\frac{New}{Old}$ New, Q:Old $\frac{New}{Old}$ New, R:Old $\frac{New}{Old}$ New, S:Old $\frac{New}{Old}$ New, W:Add, Z:Discontinued, F:Interchangeable by set, K:Q'ty Change
++ CONTINUE ++
Copyright (C) YANMAR GLOBAL CS CO., LTD. All Rights Reserved.

OCD10-M99900 4TNV98T-ZNTBL
 Fig.10. LUB.OIL SYSTEM

OCD10-M99900 Fig.10



(A)=4TNV98T-ZNTBL
 (B)=
 (C)=

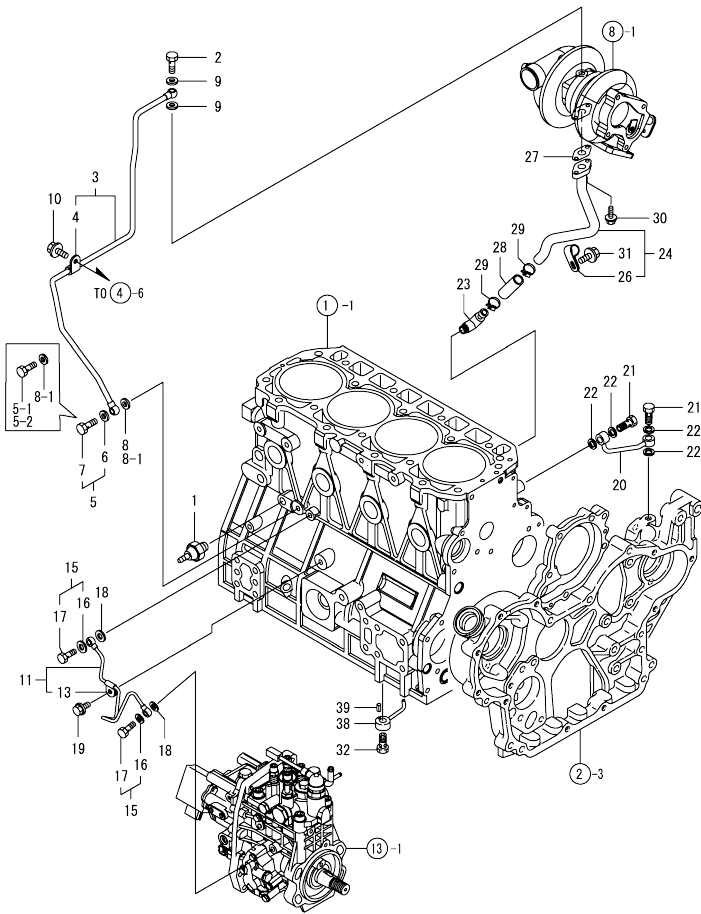
(D)=
 (E)=
 (F)=

No.	Lev.	Parts No.	Description	Q'ty						I	R
				(A)	(B)	(C)	(D)	(E)	(F)		
41	1	129939-34710 (A=08.08.21)	GUIDE, DIPSTICK	1							W
42	2	129939-34700 (A=08.08.21)	GUIDE, DIPSTICK	1							W
43	2	129939-34870 (A=08.08.21)	NUT, CAP	1							W

Remarks
 (1) REPAIR PART.

N:Old $\frac{100}{100}$ New, Q:Old $\frac{100}{100}$ New, R:Old $\frac{100}{100}$ New, S:Old $\frac{100}{100}$ New, W:Add, Z:Discontinued, F:Interchangeable by set, K:Q'ty Change
 Copyright (C) YANMAR GLOBAL CS CO., LTD. All Rights Reserved.

Fig.11. LUB.OIL LINE

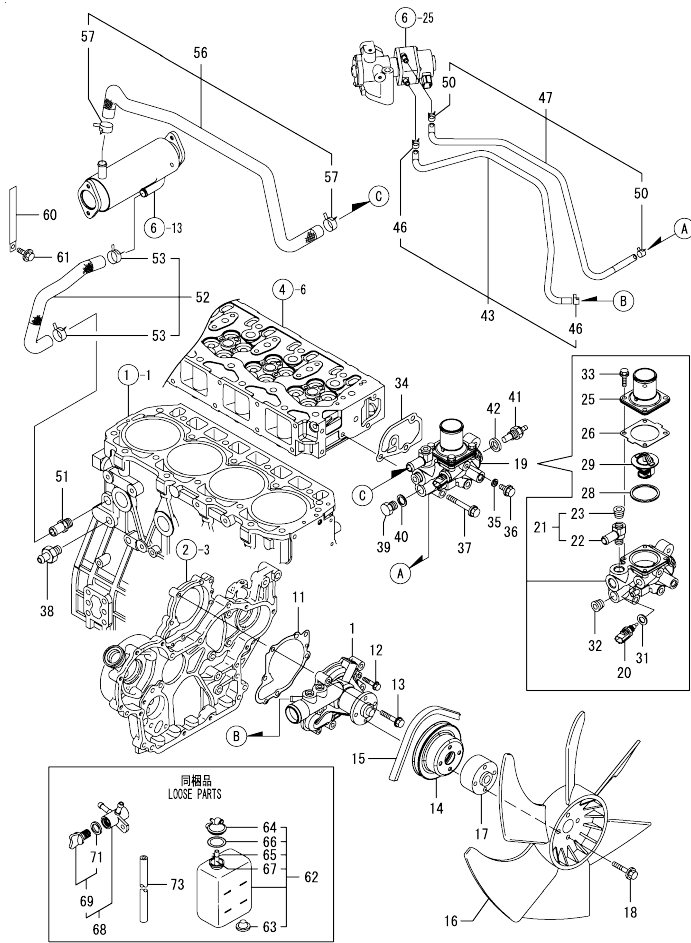


(A)=4TNV98T-ZNTBL
(B)=
(C)=

(D)=
(E)=
(F)=

No.	Lev.	Parts No.	Description	Q'ty						I	R
				(A)	(B)	(C)	(D)	(E)	(F)		
1	1	114250-39450	SWITCH, HYDRAULIC	1							
2	1	121252-39150	BOLT, JOINT M10X1.5	1							
3	1	129928-39450	PIPE ASSY, OIL	1							
4	2	124223-39900	RETAINER	1							
5	1	129005-59830	BOLT ASSY, JOINT M8	1							
5-1	1	105010-39140	BOLT, PIPE JOINT M8	1							S
(A=E51300)											
5-2	1	129198-59540	BOLT, PIPE JOINT M8	1							S
(A=E162241)											
6	2	22190-080002	WASHER, SEAL 6	1							Z
(A=E51300)											
7	2	23857-030000	BOLT, JOINT 3	1							Z
(A=E51300)											
8	1	22190-080002	WASHER, SEAL 6	1							
8-1	1	22190-080002	WASHER, SEAL 8	2							K
(A=E51300)											
9	1	23414-100000	GASKET, 10X1.0	2							
10	1	26106-080122	BOLT, M8X 12 PLATED	1							
11	1	129927-39060	PIPE ASSY, OIL	1							
13	2	123907-39500	RETAINER, PIPE	1							
15	1	129005-59830	BOLT ASSY, JOINT M8	2							
16	2	22190-080002	WASHER, SEAL 6	2							
17	2	23857-030000	BOLT, JOINT 3	2							
18	1	22190-080002	WASHER, SEAL 6	2							
19	1	26106-080122	BOLT, M8X 12 PLATED	1							
20	1	129930-39050	PIPE, OIL	1							
21	1	105010-39140	BOLT, PIPE JOINT	2							
22	1	22190-080002	WASHER, SEAL 6	4							
23	1	124070-13300	ELBOW, PT3/8	1							
24	1	129935-39610	PIPE, OIL	1							
26	2	123910-39850	RETAINER	1							
27	1	129908-39690	GASKET	1							
28	1	123901-39820	HOSE, LO RETURN	1							
29	1	23000-025000	CLAMP, 25	2							
30	1	26106-060162	BOLT, M6X 16 PLATED	2							
31	1	26106-080122	BOLT, M8X 12 PLATED	1							
32	1	129908-39410	VALVE ASSY, CHECK	4							
38	1	119000-39650	NOZZLE, COOLING	4							
39	1	22351-030010	PIN, SPRING 3.0X10	4							

Fig.12. COOLING WATER SYSTEM



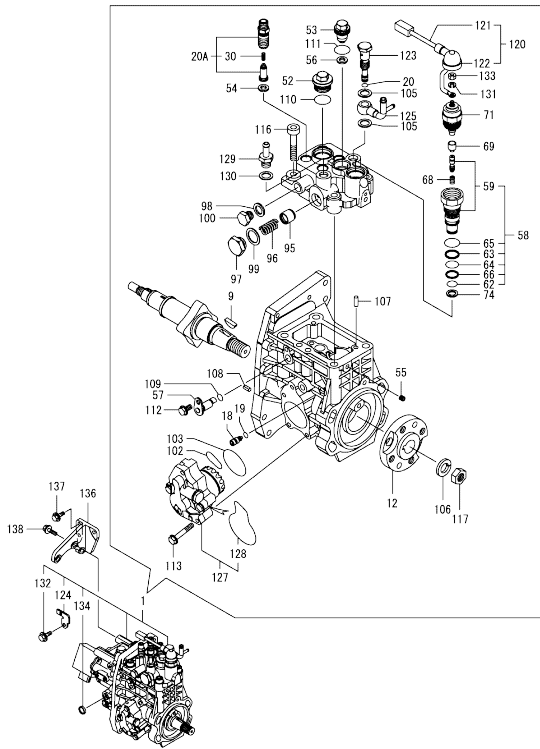
(A)=4TNV98T-ZNTBL
(B)=
(C)=

(D)=
(E)=
(F)=

No.	Lev.	Parts No.	Description	(A)	(B)	(C)	(D)	(E)	(F)	I	R
1	1	129927-42000	PUMP ASSY, WATER	1							
11	1	129900-42020	GASKET, WATER PUMP	1							
12	1	26106-060302	BOLT, M6X 30 PLATED	2							
13	1	26106-080552	BOLT, M8X 55 PLATED	5							
14	1	129900-42461	V-PULLEY, C.W.PUMP	1							
15	1	129940-42320	V-BELT, A41	1							
16	1	129916-44740	FAN, COOLING D=430	1							
17	1	119005-44761	SPACER, FAN	1							
18	1	26106-080452	BOLT, M8X 45 PLATED	4							
19	1	129949-49810	CASE ASSY,THERMOSTAT	1							
20	2	129927-44900	SENSOR, WATER TEMP.	1							
21	2	129928-49400	JOINT ASSY	1							
22	3	129928-49410	JOINT	1							
23	3	23875-030000	PLUG, R03	1							
25	2	129916-49530	COVER, THERMOSTAT	1							
26	2	121850-49540	GASKET, THERMOSTAT	1							
28	2	121850-49550	GASKET, THERMOSTAT	1							
29	2	121850-49800	THERMOSTAT, 82C	1							
31	2	22190-120002	WASHER, SEAL 12	1							
32	2	23875-030000	PLUG, R03	1							
33	2	26106-060202	BOLT, M6X 20 PLATED	4							
34	1	129900-49870	GASKET, THERMOSTAT	1							
35	1	23414-080000	GASKET, 8X1.0	1							
36	1	26106-080122	BOLT, M8X 12 PLATED	1							
37	1	26106-080602	BOLT, M8X 60 PLATED	3							
38	1	121550-49111	JOINT, PT1/4	1							
39	1	121450-42450	PLUG, M16	1							
40	1	124465-44950	GASKET, 16	1							
41	1	119266-49350	SENSOR, WATER TEMP.	1							
42	1	129150-49360	GASKET	1							
43	1	129927-49610	HOSE ASSY, WATER	1							
46	2	23080-012000	CLAMP, 12	2							
47	1	129927-49620	HOSE ASSY, WATER	1							
50	2	23080-012000	CLAMP, 12	2							
51	1	129928-49420	JOINT	1							
52	1	129948-49610	HOSE ASSY, WATER	1							
53	2	129960-03990	CLAMP, HOSE 19.8	2							
56	1	129928-49620	HOSE ASSY, WATER	1							
57	2	129960-03990	CLAMP, HOSE 19.8	2							
60	1	129928-79700	CLAMP, 150-M8	1							
61	1	26106-080122	BOLT, M8X 12 PLATED	1							
62	1	129466-44510	TANK ASSY, SUB	1							
63	2	121468-44540	PLUG	1							
64	2	121450-44531	CAP	1							
65	2	124450-44560	CLAMP, HOSE	1							
66	2	121470-44581	GASKET	1							
67	2	121267-44590	PIPE	1							
68	1	129150-49100	COCK ASSY, 3-WAY	1							
69	2	129150-49080	COCK, DRAIN	1							
71	3	119629-49080	GASKET	1							
73	1	105840-59100	PIPE	1							

N:Old $\frac{100}{100}$ New, O:Old $\frac{100}{100}$ New, R:Old $\frac{100}{100}$ New, S:Old $\frac{100}{100}$ New, W:Add, Z:Discontinued, F:Interchangeable by set, K:Qty Change
Copyright (C) YANMAR GLOBAL CS CO., LTD. All Rights Reserved.

Fig.13. FUEL INJECTION PUMP

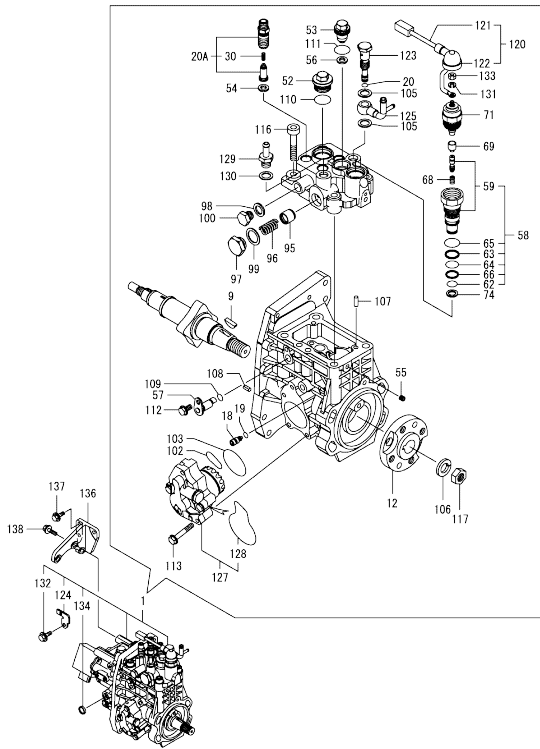


Remarks
 (1) GOVERNOR ASSY (FIG.14) IS INCORPORATED IN THIS FUEL INJECTION PUMP (REF.NO.1).
 * ECO PUMP
 MAKE SURE TO UPDATE THE ENGINES ECU INFORMATION WHEN REPLACING THE ECO PUMP.
 FAILING TO DO SO WILL RESULT IN ENGINE MALFUNCTION.

No.	Lev.	Parts No.	Description	Q'ty						I	R
				(A)	(B)	(C)	(D)	(E)	(F)		
1	1	729949-51300	PUMP ASSY, INJECTION	1							1
9	2	144626-51090	FEATHER KEY, 5X19	1							
12	2	158563-51150	FLANGE	1							
18	2	158600-51270	STOPPER, TAPPET	1							
19	2	158563-51281	O-RING, 4D S6	1							
20	2	158563-51281	O-RING, 4D S6	1							
20A	2	129928-51390	VALVE ASSY, DELIVERY	4							W
(A**2008.04.)											
30	3	158563-51330	SPRING, DELIVERY	4							
52	2	158601-51550	PLUG, M22	1							
53	2	129907-51560	PLUG, M16	1							
54	2	158552-51570	GASKET, PLUG	4							
55	2	158557-51570	PLUG, RACK	1							
56	2	129906-51580	GASKET, PLUG	1							
57	2	158552-51580	LIFTER, LINK	1							
58	2	129657-51590	TIMER ASSY	1							
59	3	129657-51600	TIMER ASSY	1							
62	3	158553-51670	O-RING	1							
63	3	119802-51680	RING, BACKUP	1							
64	3	119802-51690	O-RING	1							
65	3	24356-010200	O-RING, 4D1020	1							
66	3	24372-000150	RING, BACK UP T2P15	1							
68	2	119852-51630	SPRING, TIMER	1							
69	2	119852-51640	CAP, TIMER	1							
71	2	119852-51650	VALVE ASSY, SOLENOID	1							
74	2	158553-51680	GASKET, TIMER	1							
95	2	158601-51770	PISTON, ACCUMULATOR	1							
96	2	158552-51781	SPRING, ACCUMULATOR	1							
97	2	158601-51790	PLUG	1							
98	2	22190-120002	WASHER, SEAL 12	1							
99	2	22190-180002	WASHER, SEAL 18	1							
100	2	23887-120002	PLUG, 12	1							
102	2	158552-52310	O-RING	1							
103	2	158552-52400	O-RING, 4E S42	1							
105	2	22190-120002	WASHER, SEAL 12	2							
106	2	22217-180000	WASHER, SPRING 18	1							
107	2	22312-050140	PIN, PARALLEL M5X14	2							
108	2	22351-050010	PIN, SPRING 5.0X10	2							
109	2	24311-000070	O-RING, 1AP7.0	1							
110	2	24356-010200	O-RING, 4D1020	1							
111	2	24356-020210	O-RING, 4D2021	1							
112	2	26106-060102	BOLT, M6X 10 PLATED	1							
113	2	26106-060352	BOLT, M6X 35 PLATED	4							
116	2	26450-100452	BOLT, M10X 45	4							
117	2	26776-180002	NUT, LOCK M18	1							
120	2	129927-51650	HARNESS ASSY, WIRE	1							
121	3	129927-51660	HARNESS	1							
122	3	129263-77941	CAP, RUBBER	1							
123	2	158601-51650	JOINT, OVER FLOW	1							
124	2	129927-51670	BRACKET	1							
125	2	158552-51670	JOINT, OVER FLOW	1							

N:Old $\frac{New}{Old}$ New, Q:Old $\frac{New}{Old}$ New, R:Old $\frac{New}{Old}$ New, S:Old $\frac{New}{Old}$ New, W:Add, Z:Discontinued, F:Interchangeable by set, K:Q'ty Change
 ++ CONTINUE ++
 Copyright (C) YANMAR GLOBAL CS CO., LTD. All Rights Reserved.

Fig.13. FUEL INJECTION PUMP



(A)=4TNV98T-ZNTBL
(B)=
(C)=

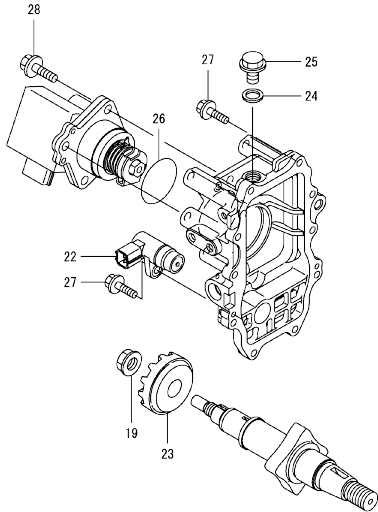
(D)=
(E)=
(F)=

No.	Lev.	Parts No.	Description	Q'ty						I	R
				(A)	(B)	(C)	(D)	(E)	(F)		
127	2	158552-52100	PUMP ASSY, FUEL FEED	1							
128	3	158552-52500	O-RING	1							
129	2	119934-59910	JOINT, PIPE	1							
130	2	22190-120002	WASHER, SEAL 12	1							
131	2	22217-050000	WASHER, SPRING 5	1							
132	2	26106-060122	BOLT, M6X 12 PLATED	1							
133	2	26716-050002	NUT, M5	1							
134	2	27241-160000	PLUG, 16	1							
136	1	129927-51250	RETAINER, PUMP	1							
137	1	26106-080202	BOLT, M8X 20 PLATED	3							
138	1	26106-080302	BOLT, M8X 30 PLATED	3							

Remarks

(1) GOVERNOR ASSY (FIG.14) IS INCORPORATED IN THIS FUEL INJECTION PUMP (REF.NO.1).
* ECO PUMP
MAKE SURE TO UPDATE THE ENGINES ECU INFORMATION WHEN REPLACING THE ECO PUMP.
FAILING TO DO SO WILL RESULT IN ENGINE MALFUNCTION.

Fig.14. GOVERNOR



(A)=4TNV98T-ZNTBL
(B)=
(C)=

(D)=
(E)=
(F)=

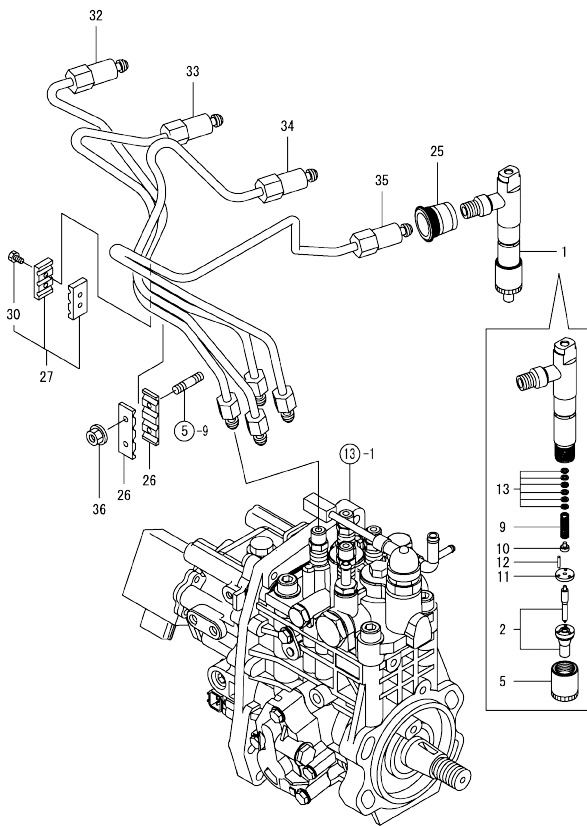
No.	Lev.	Parts No.	Description	Q'ty						I	R
				(A)	(B)	(C)	(D)	(E)	(F)		
19	2	129008-61301	NUT	1							
22	2	158557-61720	SENSOR	1							
23	2	158553-61780	GEAR, SENSOR	1							
24	2	23414-120000	GASKET, 12X1.0	1							
25	2	23887-120002	PLUG, 12	1							
26	2	24341-000480	O-RING, 1AS48.0	1							
27	2	26106-060252	BOLT, M6X 25 PLATED	10							
28	2	26106-080252	BOLT, M8X 25 PLATED	3							

Remarks
* THIS FIGURE(GOVERNOR ASSY)IS
INCORPORATED IN THE FUEL INJECTION
PUMP ASSY(FIG.13).

Fig.15. FUEL INJECTION VALVE

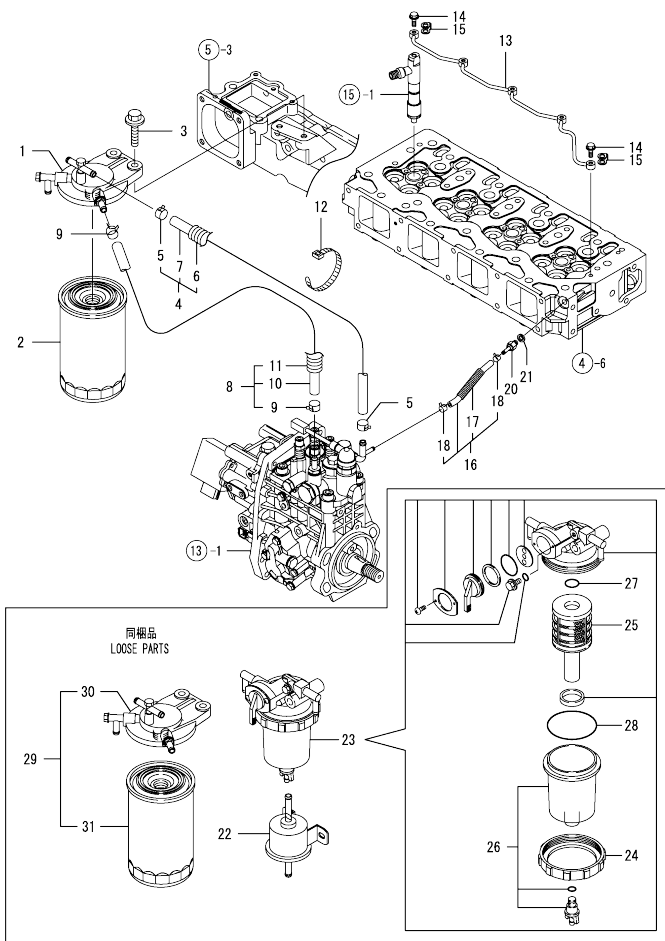
(A)=4TNV98T-ZNTBL
(B)=
(C)=

(D)=
(E)=
(F)=



No.	Lev.	Parts No.	Description	Q'ty					
				(A)	(B)	(C)	(D)	(E)	(F)
1	1	729928-53100	FUEL INJECTOR ASSY	4					
2	2	129928-53000	NOZZLE ASSY, F.I.	4					
5	2	114250-53080	NUT, NOZZLE	4					
9	2	114250-53120	SPRING, NOZZLE	4					
10	2	114250-53130	SEAT, SPRING	4					
11	2	114250-53140	SPACER	4					
12	2	114250-53210	PIN	8					
13	2	114250-53400	SHIM SET	4					
25	1	123907-11601	SEAL, PIPE	4					
26	1	123472-59120	RETAINER, PIPE	2					
27	1	129150-59120	RETAINER, PIPE	1					
30	2	129150-59131	BOLT, M4X14	2					
32	1	129927-59810	PIPE ASSY, INJECTION	1					
33	1	129927-59820	PIPE ASSY, INJECTION	1					
34	1	129927-59830	PIPE ASSY, INJECTION	1					
35	1	129927-59840	PIPE ASSY, INJECTION	1					
36	1	26366-060002	NUT, M6	2					

Fig.16. FUEL LINE

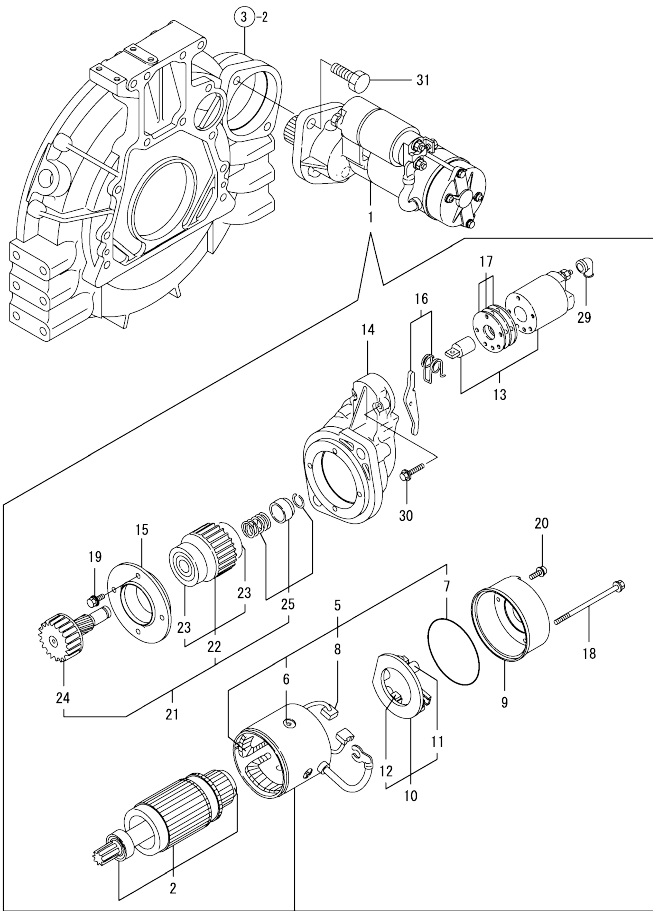


(A)=4TNV98T-ZNTBL
(B)=
(C)=

(D)=
(E)=
(F)=

No.	Lev.	Parts No.	Description	Qty						I	R
				(A)	(B)	(C)	(D)	(E)	(F)		
1	1	129004-55612 (A=2009.05.)	BRACKET, FILTER	1							Z
2	1	129907-55801 (A=2009.05.)	FILTER, FUEL	1							Z
3	1	26106-080302 (A=2009.05.)	BOLT, M8X 30 PLATED	2							Z
4	1	129457-59010 (A=2009.05.)	HOSE ASSY, FUEL	1							Z
5	2	124766-59050 (A=2009.05.)	CLAMP, HOSE 11.5	2							Z
6	2	129957-59120 (A=2009.05.)	TUBE, CORRUGATED 15	1							Z
7	2	105025-59750 (A=2009.05.)	HOSE, FUEL	1							Z
8	1	129961-59310 (A=2009.05.)	HOSE ASSY, FUEL	1							Z
9	2	124766-59050 (A=2009.05.)	CLAMP, HOSE 11.5	2							Z
10	2	129136-59110 (A=2009.05.)	HOSE, D13/7.5X270	1							Z
11	2	129961-59110 (A=2009.05.)	TUBE, CORRUGATED 15	1							Z
12	1	121750-59890 (A=2009.05.)	BAND, NYLON	1							Z
13	1	129907-59140	PIPE ASSY, RETURN	1							
14	1	123907-59540	BOLT, PIPE JOINT M6	5							
15	1	123907-59550	GASKET	5							
16	1	129927-59550	HOSE ASSY, RETURN	1							
17	2	129263-49750	TUBE, CORRUGATED	1							
18	2	124722-59050	CLAMP, HOSE 9	2							
20	1	123907-59560	JOINT, HOSE	1							
21	1	22190-080002	WASHER, SEAL 6	1							
22	1	129612-52100	PUMP, FUEL FEED	1							
23	1	129906-55700	SEPARATOR ASSY, WATER	1							
24	2	129100-55690	RING, CUP RETAINING	1							
25	2	119802-55710	ELEMENT	1							
26	2	119802-55730	CUP ASSY, SEPARATOR	1							
27	2	24311-000160	O-RING, 1AP16.0	1							
28	2	24321-000650	O-RING, 1AG65.0	1							
29	1	129940-55610 (A=2009.05.)	FILTER ASSY, FUEL	1							W
30	2	129004-55612 (A=2009.05.)	BRACKET, FILTER	1							W
31	2	129907-55801 (A=2009.05.)	FILTER, FUEL	1							W

Fig.17. STARTING MOTOR

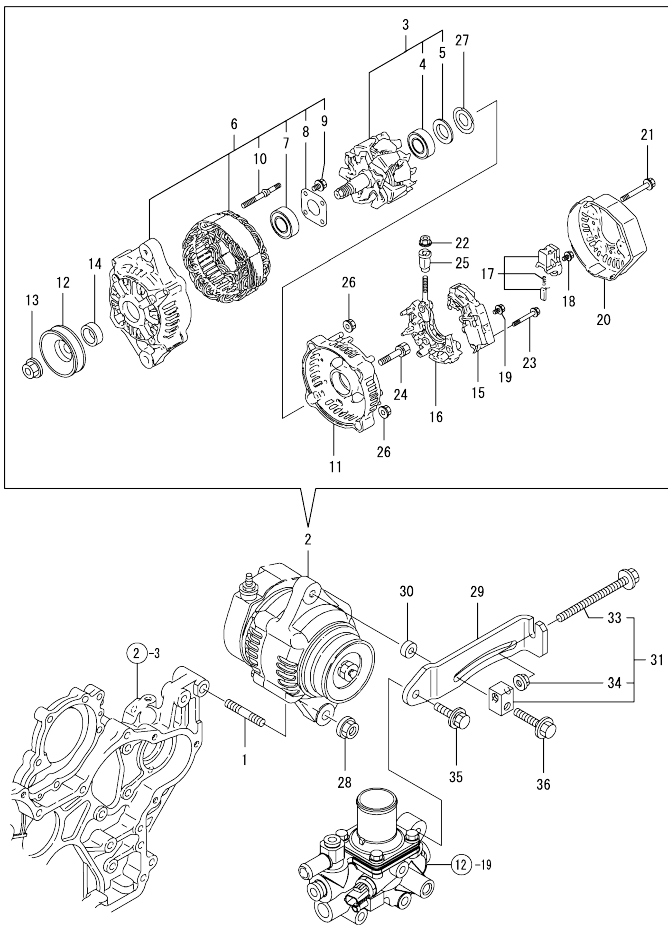


(A)=4TNV98T-ZNTBL
(B)=
(C)=

(D)=
(E)=
(F)=

No.	Lev.	Parts No.	Description	Q'ty						I	R
				(A)	(B)	(C)	(D)	(E)	(F)		
1	1	129940-77010	STARTER ASSY	1							
2	2	129940-77100	ARMATURE ASSY	1							
5	2	129940-77130	COIL ASSY, FIELD	1							
6	3	129940-77140	SCREW, CORE SET	4							
7	3	129940-77150	O-RING	1							
8	3	129940-77160	BRUSH	2							
9	2	129940-77170	COVER	1							
10	2	129940-77180	HOLDER ASSY, BRUSH	1							
11	3	129940-77190	SPRING, BRUSH	1							
12	3	129940-77200	BRUSH	2							
13	2	129940-77210	SWITCH ASSY, MAGNET	1							
14	2	129940-77220	CASE, GEAR	1							
15	2	129940-77230	RETAINER, BEARING	1							
16	2	129940-77240	LEVER SET	1							
17	2	129940-77250	COVER KIT, DUST	1							
18	2	129940-77260	BOLT, THROUGH	2							
19	2	129940-77270	BOLT	4							
20	2	129940-77280	SCREW	2							
21	2	123900-77510	PINION ASSY	1							
22	3	123900-77520	CLUTCH ASSY	1							
23	4	X2240610100	BEARING, BALL	2							
24	3	123900-77540	SHAFT, PINION	1							
25	3	119131-77550	STOPPER SET, PINION	1							
29	2	121254-77810	COVER, TERMINAL	1							
30	2	114371-79070	BOLT	2							
31	1	26116-120302	BOLT, M12X 30 PLATED	2							

Fig.18. GENERATOR

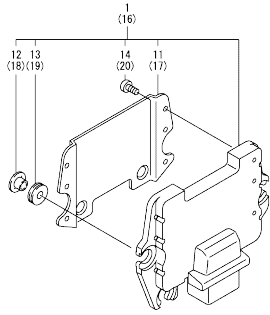


(A)=4TNV98T-ZNTBL
(B)=
(C)=

(D)=
(E)=
(F)=

No.	Lev.	Parts No.	Description	Qty						I	R
				(A)	(B)	(C)	(D)	(E)	(F)		
1	1	129795-01900	BOLT, STUD M10X33	1							
2	1	129240-77200	ALTERNATOR, 12V-40A	1							
3	2	119620-77380	ROTOR ASSY	1							
4	3	123501-79240	BEARING, BALL	1							
5	3	119620-79250	COVER, BEARING	1							
6	2	119620-77421	FRAME ASSY,GENERATOR	1							
7	3	119620-79200	BEARING, BALL	1							
8	3	119620-79210	RETAINER	1							
9	3	119620-79220	SCREW	4							
10	3	119620-79230	BOLT, STUD	2							
11	2	119620-77440	FRAME ASSY	1							
12	2	119620-77461	PULLEY, GENERATOR	1							
13	2	119620-77471	NUT	1							
14	2	119620-77490	COLLAR	1							
15	2	129240-77710	REGULATOR ASSY	1							
16	2	119620-79260	HOLDER	1							
17	2	129052-79270	HOLDER, BRUSH	1							
18	2	119620-79290	SCREW	6							
19	2	119620-79300	SCREW	1							
20	2	129240-79300	COVER	1							
21	2	119620-79310	BOLT	3							
22	2	129240-79310	NUT	1							
23	2	119620-79320	SCREW	2							
24	2	119620-79330	BOLT	2							
25	2	119620-79340	BUSH, INSULATION	1							
26	2	119620-79350	NUT	2							
27	2	119620-79360	WASHER, THRUST	1							
28	1	26306-100002	NUT, M10	1							
29	1	129906-77300	ADJUSTER, BELT	1							
30	1	121236-77340	SPACER	1							
31	1	119624-77351	BLOCK ASSY, ADJUSTER	1							
33	2	26106-081004	BOLT, M8X100 PLATED	1							
34	2	26306-080002	NUT, M8	1							
35	1	26014-080252	BOLT, M8X 25	1							
36	1	26106-080552	BOLT, M8X 55 PLATED	1							

Fig.19. ELECTRONIC CONTROL UNIT (ECU)



(A)=4TNV98T-ZNTBL
(B)=
(C)=

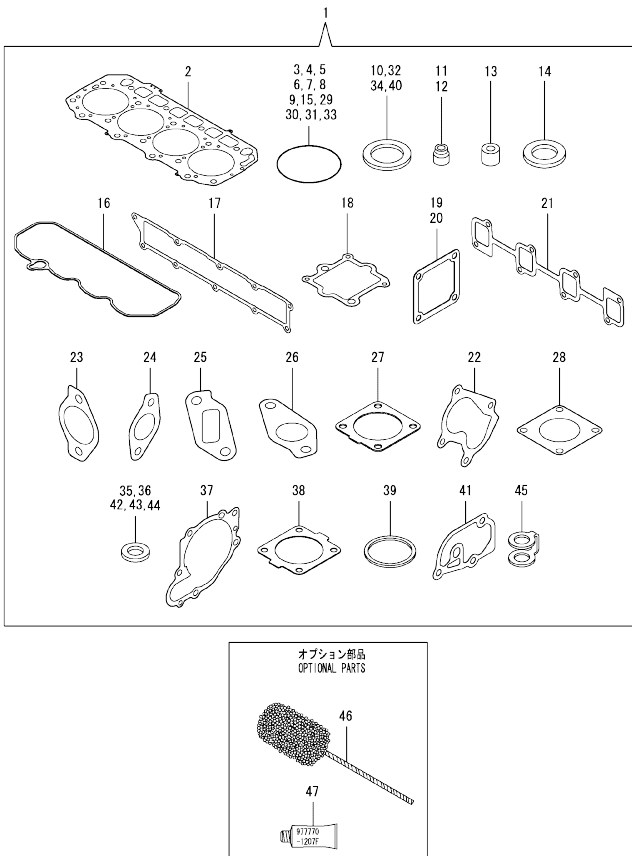
(D)=
(E)=
(F)=

No.	Lev.	Parts No.	Description	Q'ty						I	R
				(A)	(B)	(C)	(D)	(E)	(F)		
1	1	129949-75040	CONTROLLER ASSY, EUC	1							1
11	2	129927-77600	SHIELD, ECU	1							
12	2	129927-77680	COLLAR, CONTROL	3							
13	2	119578-91351	ABSORBER	3							
14	2	22877-500080	SCREW, 5X 8	6							
16	1	129927-75900	ECU ASSY, SERVICE	1							2
17	2	129927-77600	SHIELD, ECU	1							
18	2	129927-77680	COLLAR, CONTROL	3							
19	2	119578-91351	ABSORBER	3							
20	2	22877-500080	SCREW, 5X 8	6							

Remarks

(1)ECO ECU
THIS PART CANNOT BE ORDERED.
REPLACE THE PART USING A SERVICE
ECU WITH THE PROPER ENGINE
INFORMATION INSTALLED.
(2)SERVICE ECU
IF THE PROPER INFORMATION IS NOT
INSTALLED, THE ENGINE WILL NOT
OPERATE.
TO INSTALL PROPER INFORMATION,
GO TO AN AUTHORIZED DISTRIBUTOR.

Fig.20. GASKET SET



(A)=4TNV98T-ZNTBL
(B)=
(C)=

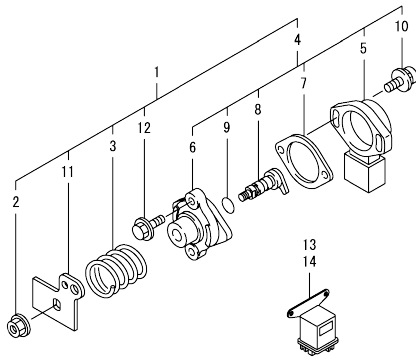
(D)=
(E)=
(F)=

No.	Lev.	Parts No.	Description	Q'ty						I	R	
				(A)	(B)	(C)	(D)	(E)	(F)			
1	1	729928-92650	GASKET SET	1							1	
2	2	129907-01331	GASKET, HEAD	1								
3	2	129900-32030	O-RING, P20	2								
4	2	129900-32040	O-RING, P14	1								
5	2	24311-000070	O-RING, 1AP7.0	1								
6	2	24351-030750	O-RING, 1A3075	1								
7	2	24311-000300	O-RING, 1AP30.0	1								
8	2	24311-000320	O-RING, 1AP32.0	4								
9	2	24321-000850	O-RING, 1AG85.0	1								
10	2	22190-220002	WASHER, SEAL 22	1								
11	2	119803-11340	SEAL, VALVE STEM	8								
12	2	124160-11340	SEAL, VALVE STEM	8								
13	2	119802-11870	PROTECTOR, NOZZLE	4								
14	2	119625-11880	SEAT, NOZZLE	4								
15	2	24311-000120	O-RING, 1AP12.0	8								
16	2	129933-11310	GASKET, BONNET	1								
17	2	129907-12110	GASKET, MANIFOLD	1								
18	2	129928-13720	GASKET	1								
19	2	119129-77020	GASKET	1								
20	2	121850-77021	GASKET, AIR HEATER	1								
21	2	129900-13251	GASKET, EXH.MANIFOLD	1								
22	2	123901-18080	GASKET	1								
23	2	129928-13410	GASKET	2								
24	2	129927-13810	GASKET	1								
25	2	129927-13910	GASKET, EGR	1								
26	2	129927-13920	GASKET, EGR	1								
27	2	129930-13201	GASKET, SILENCER	1								
28	2	129472-18090	GASKET	1								
29	2	24341-000530	O-RING, 1AS53.0	1								
30	2	24321-000600	O-RING, 1AG60.0	1								
31	2	24311-240100	O-RING, 1AP10A	1								
32	2	22190-300002	WASHER, SEAL 30	1								
33	2	24321-000700	O-RING, 1AG70.0	1								
34	2	22190-080002	WASHER, SEAL 6	11								
35	2	23414-100000	GASKET, 10X1.0	2								
36	2	129908-39690	GASKET	1								
37	2	129900-42020	GASKET, WATER PUMP	1								
38	2	121850-49540	GASKET, THERMOSTAT	1								
39	2	121850-49550	GASKET, THERMOSTAT	1								
40	2	22190-120002	WASHER, SEAL 12	1								
41	2	129900-49870	GASKET, THERMOSTAT	1								
42	2	23414-080000	GASKET, 8X1.0	1								
43	2	124465-44950	GASKET, 16	1								
44	2	129150-49360	GASKET	1								
45	2	123907-59550	GASKET	5								
46	1	129400-92450	HONE, FLEX	1								1
47	1	977770-1207F	GASKET.LIQUID	1								1

Remarks
(1) OPTIONAL PART.

OCD10-M99900 4TNV98T-ZNTBL
 Fig.21. LOOSE PART

OCD10-M99900 Fig.21



No.	Lev.	Parts No.	Description	Q'ty						I	R
				(A)	(B)	(C)	(D)	(E)	(F)		
1	1	129938-77800	SENSOR ASSY, ACCEL	1							
1-1	1	129939-77800	SENSOR ASSY, ACCEL	1							N
		(A=EXXXXX)									
2	2	194990-22130	NUT, M6	1							
3	2	119060-61990	SPRING, RETURN	1							
4	2	129054-77800	SENSOR ASSY, ACCEL	1							Z
		(A=EXXXXX)									
4-1	2	129939-77810	SENSOR ASSY, ACCEL	1							W
		(A=EXXXXX)									
5	3	185100-50070	BODY	1							
6	3	129054-77811	SUPPORT, SENSOR	1							Z
		(A=EXXXXX)									
6-1	3	129939-77820	SUPPORT, ACCEL SENSO	1							W
		(A=EXXXXX)									
7	3	129054-77820	GASKET	1							
8	3	129054-77830	SHAFT ASSY	1							
9	3	24311-000070	O-RING, 1AP7.0	1							
10	3	26023-040202	SCREW, M4X20	2							
11	2	129938-77810	LEVER, SENSOR	1							
12	2	26106-060122	BOLT, M6X 12 PLATED	2							
13	1	119646-77900	RELAY, POWER	1							
14	1	119646-77900	RELAY, POWER	1							

Parts No. Index

Parts No.	Fig. No.	Ref. No.
105010-39140	11	5 -1
		21
105025-59750	16	7
105840-59100	12	73
114250-39450	11	1
114250-53080	15	5
114250-53120	15	9
114250-53130	15	10
114250-53140	15	11
114250-53210	15	12
114250-53400	15	13
114371-79070	17	30
119000-35140	10	21
119000-39650	11	38
119005-44761	12	17
119005-77051	5	19
119060-61990	21	3
119100-11330	4	61
119129-77020	5	17
	20	19
	5	20
119131-18320	8	4
119131-77550	17	25
119225-11740	2	15
119225-11750	2	17
119260-34810	10	15
119266-49350	12	41
119578-91351	19	13
		19
119593-11301	4	34
119595-59300	10	28
119620-01750	3	4
119620-11180	4	18
119620-77380	18	3
119620-77421	18	6
119620-77440	18	11
119620-77461	18	12
119620-77471	18	13
119620-77490	18	14
119620-79200	18	7
119620-79210	18	8
119620-79220	18	9
119620-79230	18	10
119620-79250	18	5
119620-79260	18	16
119620-79290	18	18
119620-79300	18	19
119620-79310	18	21
119620-79320	18	23
119620-79330	18	24

Parts No.	Fig. No.	Ref. No.
119620-79340	18	25
119620-79350	18	26
119620-79360	18	27
119624-77351	18	31
119625-11880	4	30
	20	14
	12	71
119629-49080	3	9
119640-01640		
119646-77900	21	13
		14
119802-11870	4	29
	20	13
119802-13790	6	16
119802-51680	13	63
119802-51690	13	64
119802-55710	16	25
119802-55730	16	26
119803-11340	4	19
	20	11
119852-51630	13	68
119852-51640	13	69
119852-51650	13	71
119934-59910	13	129
120130-22301	9	21
121023-26070	2	26
121027-11743	2	16
121236-77340	18	30
121252-39150	11	2
121254-77810	17	29
121267-44590	12	67
121450-42450	12	39
121450-44531	12	64
121468-44540	12	63
121470-44581	12	66
121550-49111	12	38
121750-59890	10	11
	16	12
121850-21130	9	11
121850-21290	9	4
121850-21920	9	5
121850-49540	12	26
	20	38
121850-49550	12	28
	20	39
121850-49800	12	29
121850-77021	5	18
	20	20
123472-59120	15	26
123501-79240	18	4
123900-13630	6	6

Parts No.	Fig. No.	Ref. No.
123900-25060	7	9
123900-77510	17	21
123900-77520	17	22
123900-77540	17	24
123901-03240	4	80
123901-18080	6	9
	20	22
123901-39820	11	28
123907-11280	4	39
123907-11550	4	5
123907-11601	15	25
123907-11820	4	25
123907-11830	4	24
123907-39500	11	13
123907-59540	16	14
123907-59550	16	15
	20	45
123907-59560	16	20
123910-39850	11	26
123910-49600	10	8
123910-49610	10	10
123912-33050	10	2
123912-33100	10	3
123945-35110	10	17
123945-39101	10	26
123951-18220	5	14
124070-13300	11	23
124160-01751	2	20
	4	54
124160-11340	4	20
	20	12
124160-11360	4	65
124223-39900	11	4
124450-44560	12	65
124465-44950	12	40
	20	43
124722-59050	16	18
124766-59050	16	5
		9
129001-91810	2	23
		34
129004-55612	16	1
		30
129005-59830	11	5
		15
129006-44480	10	5
129008-61301	14	19
129052-79270	18	17
129054-77800	21	4
129054-77811	21	6

Parts No.	Fig. No.	Ref. No.
129054-77820	21	7
129054-77830	21	8
129100-01580	2	1
	3	1
129100-55690	16	24
129136-59110	16	10
129150-02450	7	4
129150-03100	4	76
129150-11230	4	42
		46
129150-11750	4	23
		43
		47
129150-14200	7	1
129150-25920	7	13
129150-35153	10	22
129150-49080	12	69
129150-49100	12	68
129150-49360	12	42
	20	44
129150-59120	15	27
129150-59131	15	30
129198-59540	11	5 -2
129240-77200	18	2
129240-77710	18	15
129240-79300	18	20
129240-79310	18	22
129263-49750	16	17
129263-77941	13	122
129400-92450	20	46
129410-03990	4	71
		74
129418-18320	6	3
		4
129457-59010	16	4
129466-44510	12	62
129466-49300	10	7
129472-18090	8	2
	20	28
129509-79700	4	62
129612-52100	16	22
129657-51590	13	58
129657-51600	13	59
129795-01900	18	1
129900-01200	1	27
129900-01250	1	4
129900-01740	2	22
129900-01850	2	32
129900-01870	2	33
129900-02020	1	6

Parts No. Index

Parts No.	Fig. No.	Ref. No.	Parts No.	Fig. No.	Ref. No.	Parts No.	Fig. No.	Ref. No.	Parts No.	Fig. No.	Ref. No.
129900-02341	1	33	129907-11920	4	48	129927-77600	19	11	129939-34800	10	14
129900-02410	1	9	129907-11950	4	32			17	129939-34810	10	39
129900-02931	1	24	129907-12110	5	1	129927-77680	19	12	129939-34830	10	40
129900-02941	1	36		20	17			18	129939-34860	10	15 -1
129900-13251	6	5	129907-14400	7	2	129928-01710	3	8	129939-34861	10	15 -2
	20	21	129907-25900	7	16	129928-03050	4	68	129939-34862	10	15 -3
129900-14110	7	6	129907-51560	13	53	129928-03060	4	69	129939-34863	10	15 -4
129900-14140	2	37	129907-55801	16	2	129928-03080	4	72	129939-34870	10	43
129900-21220	9	3		31		129928-03300	4	82	129939-77800	21	1 -1
129900-21600	9	14	129907-59140	16	13	129928-07900	4	2	129939-77810	21	4 -1
129900-23001	9	23	129908-13510	6	7	129928-11320	4	55	129939-77820	21	6 -1
129900-23200	9	26	129908-14590	7	3	129928-11700	4	6	129940-42320	12	15
129900-23601	9	27	129908-21100	9	1	129928-12100	5	3	129940-55610	16	29
129900-23611	9	30	129908-32060	2	4	129928-12150	5	2	129940-77010	17	1
129900-23911	9	29	129908-33010	10	1	129928-13100	6	2	129940-77100	17	2
129900-25110	7	10	129908-33101	10	4	129928-13150	6	1	129940-77130	17	5
129900-26020	7	20	129908-39410	11	32	129928-13400	6	13	129940-77140	17	6
129900-26250	2	6	129908-39690	11	27	129928-13410	6	14	129940-77150	17	7
129900-32030	2	7		20	36			15	129940-77160	17	8
	10	32	129908-49060	10	6		20	23	129940-77170	17	9
	20	3	129916-01790	3	7	129928-13700	5	4	129940-77180	17	10
129900-32040	2	8	129916-01800	2	31	129928-13710	5	5	129940-77190	17	11
	20	4	129916-21610	9	7	129928-13720	5	6	129940-77200	17	12
129900-35000	10	33	129916-21680	9	9		20	18	129940-77210	17	13
129900-42020	12	11	129916-44740	12	16	129928-13800	6	17	129940-77220	17	14
	20	37	129916-49530	12	25	129928-13810	6	19	129940-77230	17	15
129900-42461	12	14	129927-13810	6	18	129928-18200	5	12	129940-77240	17	16
129900-49870	12	34		20	24	129928-22080	9	15	129940-77250	17	17
	20	41	129927-13900	6	25	129928-39450	11	3	129940-77260	17	18
129906-51580	13	56	129927-13910	6	26	129928-49400	12	21	129940-77270	17	19
129906-55700	16	23		20	25	129928-49410	12	22	129940-77280	17	20
129906-77300	18	29	129927-13920	6	27	129928-49420	12	51	129948-12621	5	25
129907-01331	1	28		20	26	129928-49620	12	56	129948-12630	5	26
	20	2	129927-22050	9	17	129928-51390	13	20	129948-12640	5	27
129907-03011	4	56	129927-39060	11	11	129928-53000	15	2	129948-12650	5	28
129907-03061	4	57	129927-42000	12	1	129928-59130	4	84	129948-12660	5	29
129907-03070	4	58	129927-42140	2	8	129928-79700	12	60	129948-49610	12	52
129907-07900	4	1	129927-44900	12	20	129930-13201	6	30	129949-12510	5	23
129907-11100	4	15	129927-49610	12	43		20	27	129949-12610	5	24
129907-11110	4	16	129927-49620	12	47	129930-39050	11	20	129949-21560	9	12
129907-11120	4	17	129927-51250	13	136	129933-01500	2	3	129949-35210	10	23
129907-11250	4	36	129927-51650	13	120	129933-11310	4	60	129949-49810	12	19
129907-11260	4	37	129927-51660	13	121		20	16	129949-75040	19	1
129907-11270	4	38	129927-51670	13	124	129935-13600	6	8	129951-34801	10	14 -1
129907-11341	4	35	129927-59550	16	16	129935-18010	8	1	129953-01620	3	2
129907-11510	4	21	129927-59810	15	32	129935-39610	11	24	129953-25300	7	15
129907-11650	4	40	129927-59820	15	33	129938-77800	21	1	129953-35110	10	20
129907-11660	4	44	129927-59830	15	34	129938-77810	21	11	129953-39500	10	19
129907-11800	4	28	129927-59840	15	35	129939-34700	10	42			25
129907-11910	4	31	129927-75900	19	16	129939-34710	10	41	129953-39501	10	19 -1

Parts No. Index

Parts No.	Fig. No.	Ref. No.
129953-39501	10	25 -1
129957-59120	16	6
129960-03990	12	53
		57
129960-21640	9	8
129961-59110	16	11
129961-59310	16	8
129972-03220	4	78
129972-03230	4	79
129972-03240	4	77
129974-18210	5	13
144626-51090	13	9
158552-51570	13	54
158552-51580	13	57
158552-51670	13	125
158552-51781	13	96
158552-52100	13	127
158552-52310	13	102
158552-52400	13	103
158552-52500	13	128
158553-51670	13	62
158553-51680	13	74
158553-61780	14	23
158557-51570	13	55
158557-61720	14	22
158563-51150	7	17
	13	12
158563-51281	13	19
		20
158563-51330	13	30
158600-51270	13	18
158601-51550	13	52
158601-51650	13	123
158601-51770	13	95
158601-51790	13	97
171051-01921	1	5
185100-50070	21	5
194990-22130	21	2
198220-51870	10	27
22190-080002	11	6
		8
		8 -1
		16
		18
		22
	16	21
	20	34
22190-120002	12	31
	13	98
		105

Parts No.	Fig. No.	Ref. No.
22190-120002	13	130
	20	40
22190-180002	13	99
22190-220002	3	11
	20	10
22190-300002	10	29
	20	32
22217-050000	13	131
22217-180000	7	18
	13	106
22252-000300	9	22
22312-050140	13	107
22351-030010	11	39
22351-050010	13	108
22351-060012	1	10
22512-070140	7	7
	9	6
22857-500100	4	64
22877-500080	19	14
		20
23000-019000	4	85
23000-025000	10	12
	11	29
23000-054000	5	15
23000-070000	5	16
23065-160250	4	86
23080-012000	12	46
		50
23414-080000	12	35
	20	42
23414-100000	11	9
	20	35
23414-120000	14	24
23857-030000	11	7
		17
23875-030000	12	23
		32
23876-020000	4	12
23876-030000	1	11
		12
		13
		29
	4	13
23887-120002	13	100
	14	25
24311-000070	2	9
	13	109
	20	5
	21	9
24311-000120	4	33

Parts No.	Fig. No.	Ref. No.
24311-000120	4	66
	20	15
24311-000160	16	27
24311-000300	2	18
	20	7
24311-000320	2	19
		21
	4	67
	20	8
24311-240100	10	16
	20	31
24316-240100	10	16 -1
24321-000600	10	13
	20	30
24321-000650	16	28
24321-000700	10	30
	20	33
24321-000850	2	27
	20	9
24341-000480	14	26
24341-000530	9	10
	20	29
24351-030750	2	10
	20	6
24356-010200	13	65
		110
24356-020210	13	111
24372-000150	13	66
26014-080252	18	35
26023-040202	21	10
26106-060102	13	112
26106-060122	4	63
	13	132
	21	12
26106-060162	11	30
26106-060202	5	7
		8
	12	33
26106-060252	14	27
26106-060302	12	12
26106-060352	13	113
26106-080122	3	12
	4	87
	10	38
	11	10
		19
		31
	12	36
		61
26106-080142	4	88

Parts No.	Fig. No.	Ref. No.
26106-080162	2	11
		24
		35
	4	3
	6	10
	7	8
26106-080202	2	12
	4	4
	6	11
	13	137
26106-080252	14	28
26106-080302	13	138
	16	3
26106-080352	6	20
26106-080402	2	25
		36
	4	50
	5	21
26106-080452	2	13
	5	10
	6	21
	12	18
26106-080552	6	22
	7	14
	12	13
	18	36
26106-080602	4	51
		52
	12	37
26106-080802	5	11
26106-080902	5	22
26106-081004	18	33
26106-100202	2	28
26106-100252	6	23
26106-100402	6	28
26106-100452	10	31
26106-101052	6	29
26116-050102	4	81
26116-120302	17	31
26206-100352	3	5
26206-100702	3	6
26216-060202	5	9
26216-100302	2	5
26226-080222	4	49
26306-080002	4	53
	6	12
		24
	8	3
	18	34
26306-100002	2	14

Parts No. Index

Parts No.	Fig. No.	Ref. No.
26306-100002	18	28
26366-060002	15	36
26450-100452	13	116
26716-050002	13	133
26776-180002	7	19
	13	117
27241-160000	13	134
27241-300000	1	14
27241-400000	4	14
27310-070001	4	26
729900-02801	1	30
729907-01559	2	29
729927-22950	9	34
729928-01560	1	1
729928-22900	9	32
729928-53100	15	1
729928-92650	20	1
729949-51300	13	1
977770-1207F	20	47
X2240610100	17	23

Parts No.	Fig. No.	Ref. No.
-----------	----------	----------

Parts No.	Fig. No.	Ref. No.
-----------	----------	----------

Parts No.	Fig. No.	Ref. No.
-----------	----------	----------