

0CW10-M46700EN

P R E F A C E

1. This parts catalog is the 1st edition of 4TNV98T-ZNDI for DEICI.

Pub.No. : 0CW10-G46700

Published : October , 2008

2. Model name

| Engine model | Vehicle | Vehicle made by |
|--------------|------------------|-----------------|
| 4TNV98T-ZNDI | TELESCOPIHANDLER | DEICI |

Directions for the Parts Catalog.

1. This Parts Catalog shows both standard and optional parts.
2. Parts may change without prior notice.
3. The following is an example of the Parts Catalog format.

| REF. | LEV. | PARTS NO. | DESCRIPTION | Q'TY | | | | | | I | R |
|------|------|--|---------------------|------|-----|-----|-----|-----|-----|---|---|
| | | | | (A) | (B) | (C) | (D) | (E) | (F) | | |
| 1 | 1 | 729595-51390 | FUEL INJECTION PUMP | 1 | 1 | 1 | 1 | 1 | | | 1 |
| 1-1 | 1 | 729595-51391 | FUEL INJECTION PUMP | 1 | 1 | 1 | 1 | 1 | | N | 1 |
| | | (A=E00185) (B=E00200) | | | | | | | | | |
| 3 | 2 | 26022-060162 | SCREW M 6X 16 | 9 | 9 | 9 | 9 | 9 | | | |
| 3-1 | 2 | 26022-060162 | SCREW M 6X 16 | 4 | 4 | 4 | 4 | 4 | | K | |
| | | (A=E00156) (B=E00156) (C=E00156) (D=E00156) (E=E00156) | | | | | | | | | |
| 4 | 2 | 129470-51040 | CAMSHAFT | 1 | 1 | 1 | 1 | 1 | | | |
| 5 | 2 | 122710-51050 | BEARING, ROLLER | 2 | 2 | 2 | 2 | 2 | | | |
| 6 | 2 | 129470-51060 | RETAINER | 1 | 1 | 1 | 1 | 1 | | | |

| |
|---|
| Remarks |
| (1) BOOST COMPEMSATOR TYPE. OPTIONAL PART, TO E00155,(4JH-DT, 4JH-DTZ |

① Ref. No.

The Ref. No. listed may not be in accordance with the illustration Ref. No.

(Ex.) Illustration No.

List Ref No.

1 1 (Before change) → 1-1 (After change)

For interchangeable symbols N, R and K, illustrations for new parts may be abbreviated.

② Lev. (Level)

Level indication

The numbers below indicate the level of relativity towards the main part.

1 ---- Main parts (Assembly parts)

2 ---- Sub component included in " 1 ".

3 ---- Sub component included in " 2 ".

Note) Parts that are not for sale are partially illustrated but not listed.

③ Interchangeability Symbol

When a part change takes place, one of the following interchangeability symbols is indicated beside the part.

| Symbol | Interchangeability | Contents note |
|--------|---|--|
| N | Old $\begin{matrix} \leftarrow \text{Yes} \\ \text{No} \rightarrow \end{matrix}$ New | New Part is interchangeable for Old Part but Old Part is not interchangeable for New Part. |
| Q | Old $\begin{matrix} \leftarrow \text{No} \\ \text{Yes} \rightarrow \end{matrix}$ New | New Part is not interchangeable for Old Part but Old Part is interchangeable for New Part. |
| R | Old $\begin{matrix} \leftarrow \text{Yes} \\ \text{Yes} \rightarrow \end{matrix}$ New | New/ Old Parts are both interchangeable. |
| S | Old $\begin{matrix} \leftarrow \text{No} \\ \text{No} \rightarrow \end{matrix}$ New | New/ Old Parts are both not interchangeable. |
| W | | Part newly added. |
| Z | | Part discontinued. |
| F | | Not interchangeable by a single part but interchangeable together with related parts. |
| K | | Changes only for used parts quantities. |

④ Effective Machine No.

When a part changes, the effective Machine No. will be indicated in the (A)-(F) column.

| Product Symbol | Product No. | Product Symbol | Product No. |
|----------------|---------------------------|----------------|-----------------------------------|
| C | Clutch No. Compressor No. | F | Machine No. (Agricultural Equip.) |
| D | Drive No. | M | Machine No. |
| E | Engine No. | | |

Note 1) A date may follow the symbol. (Ex.) 1996.01

Note 2) "XXXXX" and "ZZZZZ" are for parts that could not be predicted or for engine models that could not be identified.

Note 3) (A=E00185) is the E (Engine Serial Number) for the column (A) model (in this case 4JH-DT) after the parts design change.

⑤ Remarks

Figures or alphabets (symbols) are entered in the remarks column.

The comments (remarks) on parts that are indicated at the bottom of the illustration are the same symbols as those stated above.

Contents

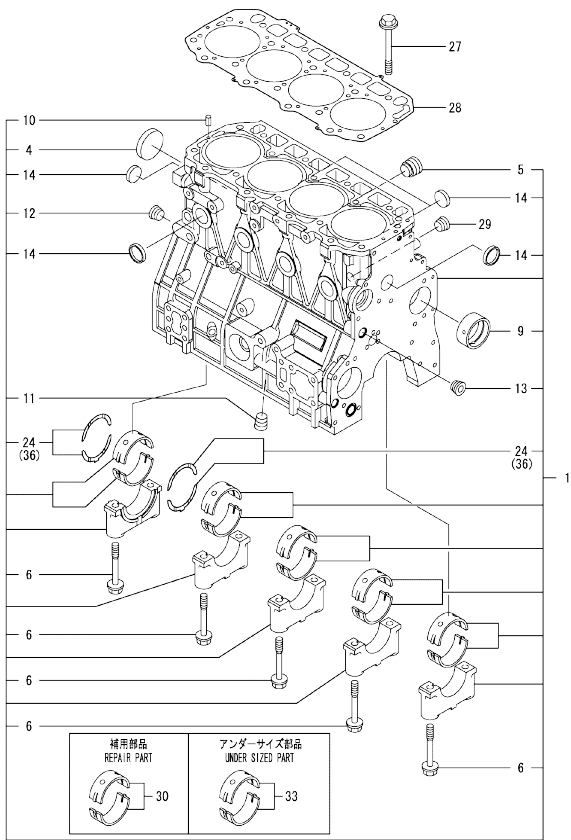
0CW10-M46700

| Fig. No. | Fig. Name | Fig. No. | Fig. Name |
|----------|-------------------------------|----------|-----------|
| 4 | TNV98T-ZNDI | | |
| 1. | CYLINDER BLOCK | | |
| 2. | GEAR HOUSING | | |
| 3. | FLYWHEEL HOUSING & OIL SUMP | | |
| 4. | CYLINDER HEAD & BONNET | | |
| 5. | SUCTION MANIFOLD | | |
| 6. | EXHAUST MANIFOLD | | |
| 7. | CAMSHAFT & DRIVING GEAR | | |
| 8. | TURBINE | | |
| 9. | CRANKSHAFT & PISTON | | |
| 10. | LUB.OIL SYSTEM | | |
| 11. | LUB.OIL LINE | | |
| 12. | COOLING WATER SYSTEM | | |
| 13. | FUEL INJECTION PUMP | | |
| 14. | GOVERNOR | | |
| 15. | FUEL INJECTION VALVE | | |
| 16. | FUEL LINE | | |
| 17. | STARTING MOTOR | | |
| 18. | GENERATOR | | |
| 19. | ELECTRONIC CONTROL UNIT (ECU) | | |
| 20. | GASKET SET | | |

Fig.1. CYLINDER BLOCK

(A)=4TNV98T-ZNDI
(B)=
(C)=

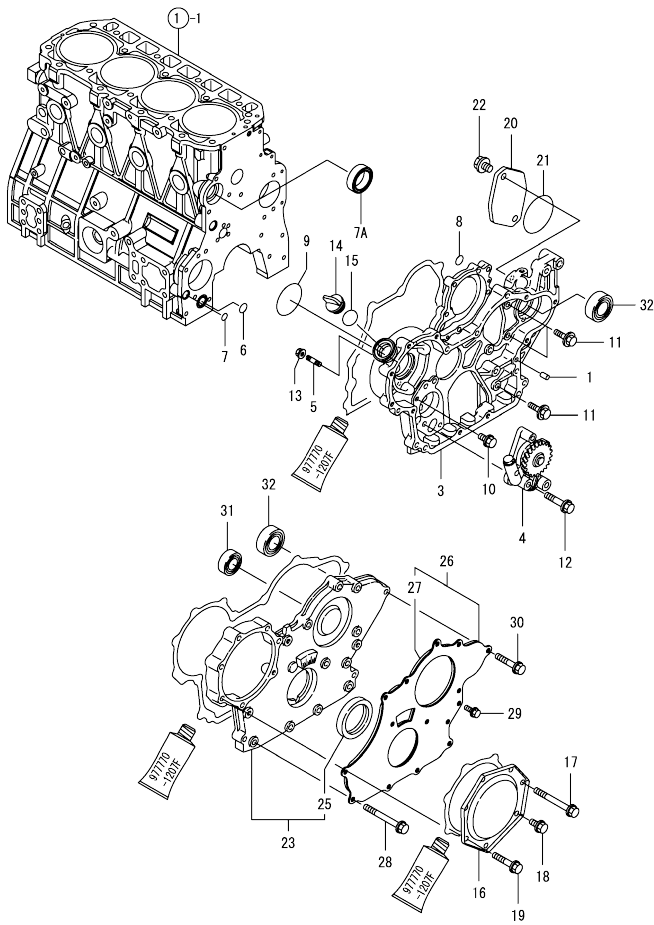
(D)=
(E)=
(F)=



| No. | Lev. | Parts No. | Description | Q'ty | | | | | | I | R | |
|-----|------|--------------|----------------------|------|-----|-----|-----|-----|-----|---|---|---|
| | | | | (A) | (B) | (C) | (D) | (E) | (F) | | | |
| 1 | 1 | 729928-01560 | BLOCK ASSY, CYLINDER | 1 | | | | | | | | |
| 4 | 2 | 129900-01250 | PLUG, DISH TYPE 55 | 1 | | | | | | | | |
| 5 | 2 | 171051-01921 | PLUG, NPTF1 | 1 | | | | | | | | |
| 6 | 2 | 129900-02020 | BOLT, METAL CAP | 10 | | | | | | | | |
| 9 | 2 | 129900-02410 | BUSH, CAMSHAFT | 1 | | | | | | | | |
| 10 | 2 | 22351-060012 | PIN, SPRING 6.0X12 | 2 | | | | | | | | |
| 11 | 2 | 23876-030000 | PLUG, R03 | 1 | | | | | | | | |
| 12 | 2 | 23876-030000 | PLUG, R03 | 1 | | | | | | | | |
| 13 | 2 | 23876-030000 | PLUG, R03 | 1 | | | | | | | | |
| 14 | 2 | 27241-300000 | PLUG 30 | 8 | | | | | | | | |
| 24 | 2 | 129900-02931 | BEARING ASSY, THRUST | 2 | | | | | | | | |
| 27 | 1 | 129900-01200 | BOLT, CYLINDER HEAD | 18 | | | | | | | | |
| 28 | 1 | 129907-01331 | GASKET, HEAD | 1 | | | | | | | | |
| 29 | 1 | 23876-030000 | PLUG, R03 | 1 | | | | | | | | |
| 30 | 1 | 729900-02801 | BEARING, MAIN | 5 | | | | | | | | 1 |
| 33 | 1 | 129900-02341 | BEARING ASSY, MAIN | 5 | | | | | | | | 2 |
| 36 | 1 | 129900-02941 | BEARING, THRUST 0.25 | 2 | | | | | | | | 3 |

Remarks
(1) REPAIR PART.
(2) UNDER-SIZED(U.S=0.25)PART.
(3) OVER-SIZED(O.S=0.25)PART.

Fig.2. GEAR HOUSING

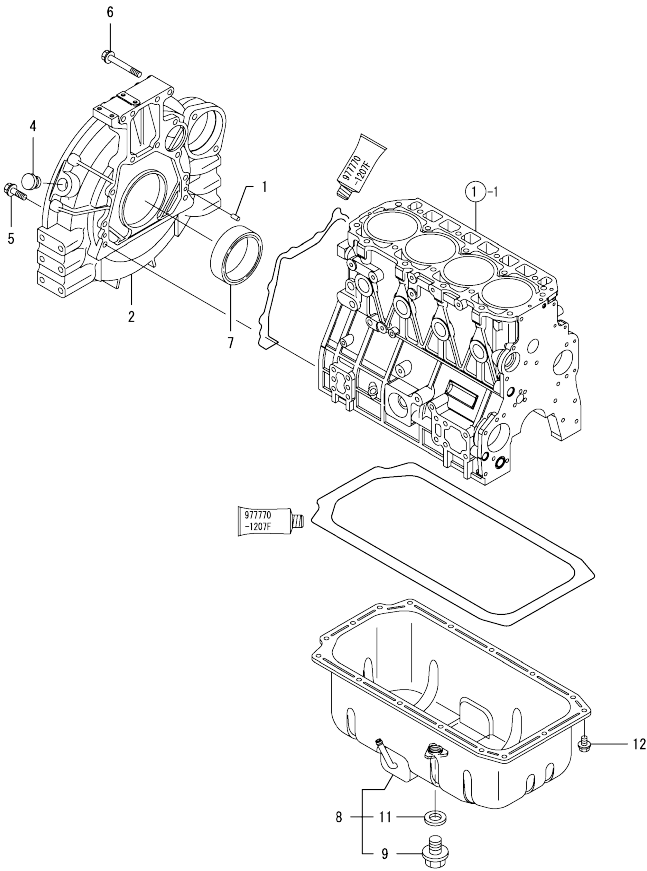


(A)=4TNV98T-ZNDI
(B)=
(C)=

(D)=
(E)=
(F)=

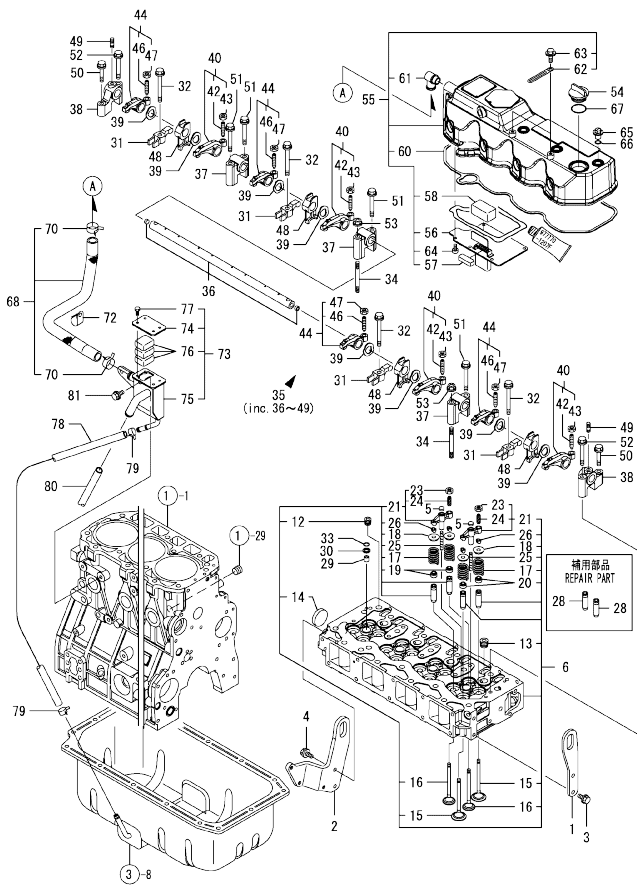
| No. | Lev. | Parts No. | Description | Qty | | | | | | I | R |
|------------|------|--------------|----------------------|-----|-----|-----|-----|-----|-----|---|---|
| | | | | (A) | (B) | (C) | (D) | (E) | (F) | | |
| 1 | 1 | 129100-01580 | PIN, PARALLEL 8X16 | 4 | | | | | | | |
| 3 | 1 | 129933-01500 | CASE, GEAR | 1 | | | | | | | |
| 4 | 1 | 129908-32060 | PUMP ASSY, OIL | 1 | | | | | | | |
| 5 | 1 | 26216-100302 | STUD, M10X 30 | 4 | | | | | | | |
| 6 | 1 | 129900-32030 | O-RING, P20 | 1 | | | | | | | |
| 7 | 1 | 129900-32040 | O-RING, P14 | 1 | | | | | | | |
| 7A | 1 | 129927-42140 | GASKET, PUMP OUTLET | 1 | | | | | | | W |
| (A=EW0238) | | | | | | | | | | | |
| 8 | 1 | 24311-000070 | O-RING, 1AP7.0 | 1 | | | | | | | |
| 9 | 1 | 24351-030750 | O-RING, 1A3075 | 1 | | | | | | | |
| 10 | 1 | 26106-080162 | BOLT, M8X 16 PLATED | 1 | | | | | | | |
| 11 | 1 | 26106-080202 | BOLT, M8X 20 PLATED | 3 | | | | | | | |
| 12 | 1 | 26106-080452 | BOLT, M8X 45 PLATED | 3 | | | | | | | |
| 13 | 1 | 26306-100002 | NUT, M10 | 4 | | | | | | | |
| 14 | 1 | 124160-01751 | CAP, FILLER | 1 | | | | | | | |
| 15 | 1 | 24311-000320 | O-RING, 1AP32.0 | 1 | | | | | | | |
| 16 | 1 | 129900-01740 | COVER | 1 | | | | | | | |
| 17 | 1 | 129001-91810 | BOLT, M8X70 | 1 | | | | | | | |
| 18 | 1 | 26106-080162 | BOLT, M8X 16 PLATED | 1 | | | | | | | |
| 19 | 1 | 26106-080402 | BOLT, M8X 40 PLATED | 5 | | | | | | | |
| 20 | 1 | 121023-26070 | COVER, PUMP | 1 | | | | | | | |
| 21 | 1 | 24321-000850 | O-RING, 1AG85.0 | 1 | | | | | | | |
| 22 | 1 | 26106-100202 | BOLT, M10X 20 PLATED | 2 | | | | | | | |
| 23 | 1 | 729907-01559 | COVER ASSY,GEAR CASE | 1 | | | | | | | |
| 25 | 2 | 129916-01800 | SEAL, OIL | 1 | | | | | | | |
| 26 | 1 | 129900-01850 | COVER ASSY,GEAR CASE | 1 | | | | | | | |
| 27 | 2 | 129900-01870 | SPONGE, GEAR CASE | 1 | | | | | | | |
| 28 | 1 | 129001-91810 | BOLT, M8X70 | 6 | | | | | | | |
| 29 | 1 | 26106-080162 | BOLT, M8X 16 PLATED | 3 | | | | | | | |
| 30 | 1 | 26106-080402 | BOLT, M8X 40 PLATED | 5 | | | | | | | |
| 31 | 1 | 129900-14140 | BEARING, BALL 6205 | 1 | | | | | | | |
| 32 | 1 | 129900-26250 | BEARING, BALL 6206C3 | 2 | | | | | | | |

Fig.3. FLYWHEEL HOUSING & OIL SUMP



| No. | Lev. | Parts No. | Description | Q'ty | | | | | | |
|-----|------|--------------|----------------------|------|-----|-----|-----|-----|-----|--|
| | | | | (A) | (B) | (C) | (D) | (E) | (F) | |
| 1 | 1 | 129100-01580 | PIN, PARALLEL 8X16 | 2 | | | | | | |
| 2 | 1 | 129900-01620 | HOUSING, FLYWHEEL | 1 | | | | | | |
| 4 | 1 | 119620-01750 | CAP | 1 | | | | | | |
| 5 | 1 | 26206-100352 | BOLT, M10X 35 PLATED | 9 | | | | | | |
| 6 | 1 | 26206-100702 | BOLT, M10X 70 PLATED | 4 | | | | | | |
| 7 | 1 | 129916-01790 | SEAL, D115/95XT11 | 1 | | | | | | |
| 8 | 1 | 129948-01740 | OIL PAN ASSY | 1 | | | | | | |
| 9 | 2 | 119640-01640 | PLUG, DRAIN M22 | 1 | | | | | | |
| 11 | 2 | 22190-220002 | WASHER, SEAL 22 | 1 | | | | | | |
| 12 | 1 | 26106-080122 | BOLT, M8X 12 PLATED | 16 | | | | | | |

Fig.4. CYLINDER HEAD & BONNET



(A)=4TNV98T-ZNDI
(B)=
(C)=

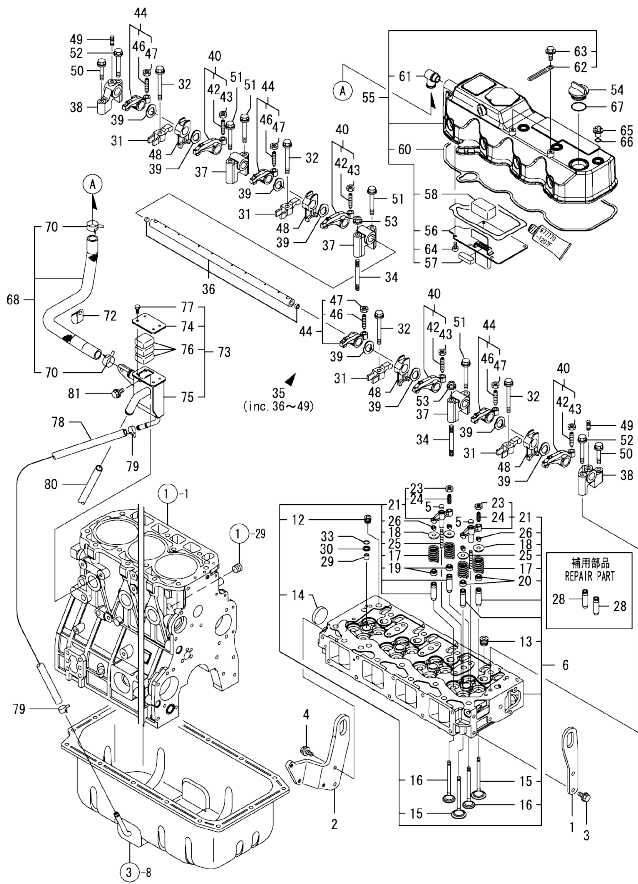
(D)=
(E)=
(F)=

| No. | Lev. | Parts No. | Description | Q'ty | | | | | | I | R |
|-----|------|--------------|---------------------|------|-----|-----|-----|-----|-----|---|---|
| | | | | (A) | (B) | (C) | (D) | (E) | (F) | | |
| 1 | 1 | 129907-07900 | LIFTER, ENGINE | 1 | | | | | | | |
| 2 | 1 | 129948-07900 | LIFTER, ENGINE | 1 | | | | | | | |
| 3 | 1 | 26106-080162 | BOLT, M8X 16 PLATED | 2 | | | | | | | |
| 4 | 1 | 26106-080202 | BOLT, M8X 20 PLATED | 2 | | | | | | | |
| 5 | 1 | 123907-11550 | SEAT, VALVE BRIDGE | 8 | | | | | | | |
| 6 | 1 | 129928-11700 | HEAD ASSY, CYLINDER | 1 | | | | | | | |
| 12 | 2 | 23876-020000 | PLUG, R02 | 1 | | | | | | | |
| 13 | 2 | 23876-030000 | PLUG, R03 | 4 | | | | | | | |
| 14 | 2 | 27241-400000 | PLUG, 40 | 1 | | | | | | | |
| 15 | 2 | 129907-11100 | VALVE, SUCTION | 8 | | | | | | | |
| 16 | 2 | 129907-11110 | VALVE, EXHAUST | 8 | | | | | | | |
| 17 | 2 | 129907-11120 | SPRING, VALVE | 16 | | | | | | | |
| 18 | 2 | 119620-11180 | RETAINER, SPRING | 16 | | | | | | | |
| 19 | 2 | 119803-11340 | SEAL, VALVE STEM | 8 | | | | | | | |
| 20 | 2 | 124160-11340 | SEAL, VALVE STEM | 8 | | | | | | | |
| 21 | 2 | 129907-11510 | BRIDGE ASSY, VALVE | 8 | | | | | | | |
| 23 | 3 | 129150-11750 | NUT, M8 | 8 | | | | | | | |
| 24 | 3 | 123907-11830 | ADJUSTER | 8 | | | | | | | |
| 25 | 2 | 123907-11820 | GUIDE, BRIDGE | 8 | | | | | | | |
| 26 | 2 | 27310-070001 | COTTER, 7 | 16 | | | | | | | |
| 28 | 1 | 129907-11800 | GUIDE, VALVE | 16 | | | | | | | 1 |
| 29 | 1 | 119802-11870 | PROTECTOR, NOZZLE | 4 | | | | | | | |
| 30 | 1 | 119625-11880 | SEAT, NOZZLE | 4 | | | | | | | |
| 31 | 1 | 129907-11910 | RETAINER, NOZZLE | 4 | | | | | | | |
| 32 | 1 | 129907-11950 | BOLT, M8X75 | 4 | | | | | | | |
| 33 | 1 | 24311-000120 | O-RING, 1AP12.0 | 4 | | | | | | | |
| 34 | 1 | 119593-11301 | BOLT, STUD M8X80 | 2 | | | | | | | |
| 35 | 1 | 129907-11341 | SHAFT ASSY, ROCKER | 1 | | | | | | | |
| 36 | 2 | 129907-11250 | SHAFT, ROCKER ARM | 1 | | | | | | | |
| 37 | 2 | 129907-11260 | SUPPORT, ROCKER ARM | 3 | | | | | | | |
| 38 | 2 | 129907-11270 | SUPPORT, ROCKER ARM | 2 | | | | | | | |
| 39 | 2 | 123907-11280 | WASHER | 8 | | | | | | | |
| 40 | 2 | 129907-11650 | ARM ASSY, ROCKER | 4 | | | | | | | |
| 42 | 3 | 129150-11230 | SCREW, VALVE ADJUST | 4 | | | | | | | |
| 43 | 3 | 129150-11750 | NUT, M8 | 4 | | | | | | | |
| 44 | 2 | 129907-11660 | ARM ASSY, ROCKER | 4 | | | | | | | |
| 46 | 3 | 129150-11230 | SCREW, VALVE ADJUST | 4 | | | | | | | |
| 47 | 3 | 129150-11750 | NUT, M8 | 4 | | | | | | | |
| 48 | 2 | 129907-11920 | RETAINER, NOZZLE | 4 | | | | | | | |
| 49 | 2 | 26226-080222 | STUD, M8X 22 | 2 | | | | | | | |
| 50 | 1 | 26106-080402 | BOLT, M8X 40 PLATED | 2 | | | | | | | |
| 51 | 1 | 26106-080602 | BOLT, M8X 60 PLATED | 4 | | | | | | | |
| 52 | 1 | 26106-080602 | BOLT, M8X 60 PLATED | 2 | | | | | | | |
| 53 | 1 | 26306-080002 | NUT, M8 | 2 | | | | | | | |
| 54 | 1 | 124160-01751 | CAP, FILLER | 1 | | | | | | | |
| 55 | 1 | 129948-11300 | BONNET ASSY, HEAD | 1 | | | | | | | |
| 56 | 2 | 129907-03011 | PLATE, BAFFLE | 1 | | | | | | | |
| 57 | 2 | 129907-03061 | BAFFLE, BREATHER | 1 | | | | | | | |
| 58 | 2 | 129907-03070 | BAFFLE, BREATHER | 1 | | | | | | | |
| 60 | 2 | 129933-11310 | GASKET, BONNET | 1 | | | | | | | |
| 61 | 2 | 119100-11330 | ELBOW, BREATHER | 1 | | | | | | | |

Remarks
(1) REPAIR PART.

N:Old $\frac{New}{Old}$ New, Q:Old $\frac{New}{Old}$ New, R:Old $\frac{New}{Old}$ New, S:Old $\frac{New}{Old}$ New, W:Add, Z:Discontinued, F:Interchangeable by set, K:Q'ty Change
++ CONTINUE ++
Copyright (C) YANMAR GLOBAL CS CO., LTD. All Rights Reserved.

Fig.4. CYLINDER HEAD & BONNET



(A)=4TNV98T-ZNDI
(B)=
(C)=

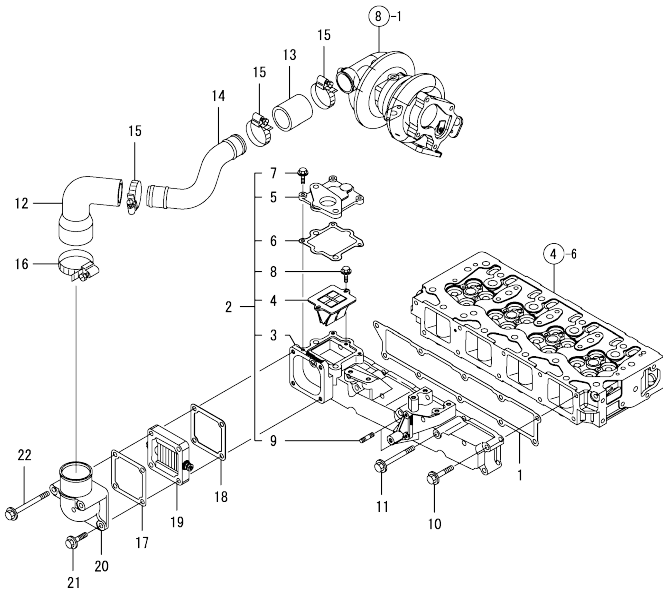
(D)=
(E)=
(F)=

| No. | Lev. | Parts No. | Description | Q'ty | | | | | | I | R |
|-----|------|--------------|----------------------|------|-----|-----|-----|-----|-----|---|---|
| | | | | (A) | (B) | (C) | (D) | (E) | (F) | | |
| 62 | 2 | 129509-79700 | CLAMP, 140-M6 | | | | | | | | |
| 63 | 2 | 26106-060122 | BOLT, M6X 12 PLATED | | | | | | | | |
| 64 | 2 | 22857-500100 | SCREW, 5X10 | | | | | | | | |
| 65 | 1 | 124160-11360 | KNOB | | | | | | | | |
| 66 | 1 | 24311-000120 | O-RING, 1AP12.0 | | | | | | | | |
| 67 | 1 | 24311-000320 | O-RING, 1AP32.0 | | | | | | | | |
| 68 | 1 | 129948-03080 | HOSE ASSY, BREATHER | | | | | | | | |
| 70 | 2 | 129410-03990 | CLAMP, HOSE 21.5 | | | | | | | | |
| 72 | 1 | 129150-03100 | RETAINER, PIPE | | | | | | | | |
| 73 | 1 | 129972-03240 | SEPARATOR ASSY, MIST | | | | | | | | |
| 74 | 2 | 129972-03220 | COVER, SEPARATOR | | | | | | | | |
| 75 | 2 | 129972-03230 | SEPARATOR, MIST | | | | | | | | |
| 76 | 2 | 123901-03240 | FILTER | | | | | | | | |
| 77 | 2 | 26116-050102 | BOLT, M5X 10 PLATED | | | | | | | | |
| 78 | 1 | 123912-03250 | HOSE | | | | | | | | |
| 79 | 1 | 23000-022000 | CLAMP, 22 | | | | | | | | |
| 80 | 1 | 23065-160250 | PIPE, 16X 250 | | | | | | | | |
| 81 | 1 | 26106-080142 | BOLT, M8X 14 PLATED | | | | | | | | |

Remarks
(1) REPAIR PART.

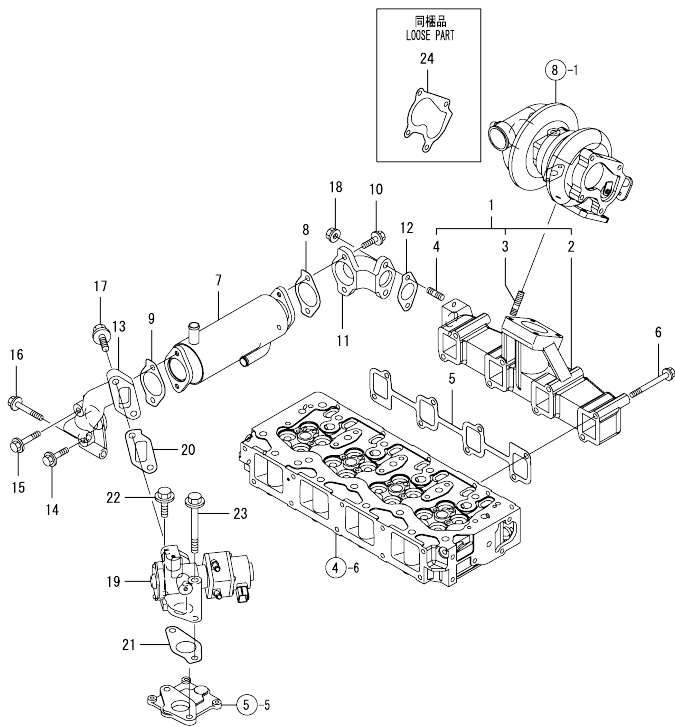
N:Old $\frac{100}{100}$ New, Q:Old $\frac{100}{100}$ New, R:Old $\frac{100}{100}$ New, S:Old $\frac{100}{100}$ New, W:Add, Z:Discontinued, F:Interchangeable by set, K:Qty Change
Copyright (C) YANMAR GLOBAL CS CO., LTD. All Rights Reserved.

Fig.5. SUCTION MANIFOLD



| No. | Lev. | Parts No. | Description | Q'ty | | | | | | I | R |
|-----|------|--------------|----------------------|------|-----|-----|-----|-----|-----|---|---|
| | | | | (A) | (B) | (C) | (D) | (E) | (F) | | |
| 1 | 1 | 129907-12110 | GASKET, MANIFOLD | 1 | | | | | | | |
| 2 | 1 | 129928-12150 | MANIFOLD ASSY,INTAKE | 1 | | | | | | | |
| 3 | 2 | 129928-12100 | MANIFOLD, AIR INTAKE | 1 | | | | | | | |
| 4 | 2 | 129928-13700 | VALVE, LEAD | 1 | | | | | | | |
| 5 | 2 | 129928-13710 | SPACER, EGR VALVE | 1 | | | | | | | |
| 6 | 2 | 129928-13720 | GASKET | 1 | | | | | | | |
| 7 | 2 | 26106-060202 | BOLT, M6X 20 PLATED | 3 | | | | | | | |
| 8 | 2 | 26106-060202 | BOLT, M6X 20 PLATED | 2 | | | | | | | |
| 9 | 2 | 26216-060202 | STUD, M6X 20 | 2 | | | | | | | |
| 10 | 1 | 26106-080452 | BOLT, M8X 45 PLATED | 6 | | | | | | | |
| 11 | 1 | 26106-080802 | BOLT, M8X 80 PLATED | 4 | | | | | | | |
| 12 | 1 | 129974-18210 | JOINT, RUBBER | 1 | | | | | | | |
| 13 | 1 | 123951-18220 | JOINT, RUBBER | 1 | | | | | | | |
| 14 | 1 | 129949-18220 | DUCT, AIR | 1 | | | | | | | |
| 15 | 1 | 23000-054000 | CLAMP, 54 | 3 | | | | | | | |
| 16 | 1 | 23000-070000 | CLAMP, 70 | 1 | | | | | | | |
| 17 | 1 | 119129-77020 | GASKET | 1 | | | | | | | |
| 18 | 1 | 121850-77021 | GASKET, AIR HEATER | 1 | | | | | | | |
| 19 | 1 | 119005-77051 | HEATER, AIR | 1 | | | | | | | |
| 20 | 1 | 119129-77520 | BEND | 1 | | | | | | | |
| 21 | 1 | 26106-080402 | BOLT, M8X 40 PLATED | 2 | | | | | | | |
| 22 | 1 | 26106-080902 | BOLT, M8X 90 PLATED | 2 | | | | | | | |

Fig.6. EXHAUST MANIFOLD

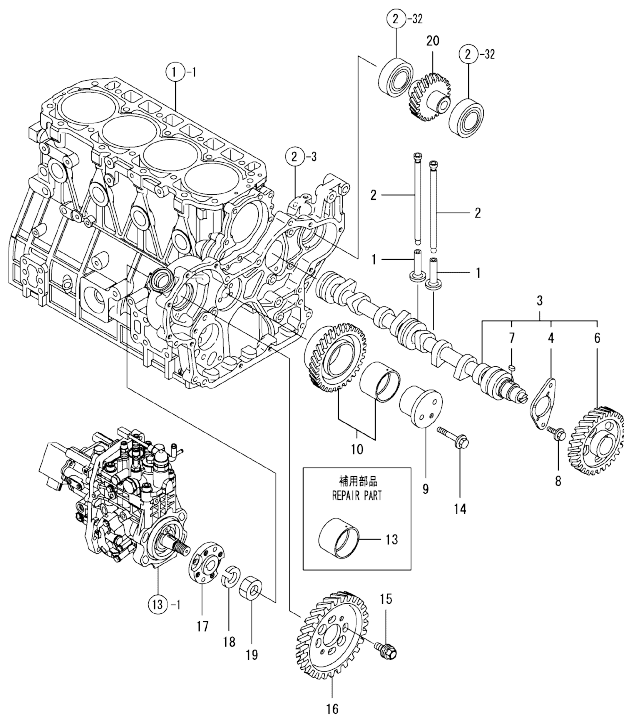


(A)=4TNV98T-ZNDI
(B)=
(C)=

(D)=
(E)=
(F)=

| No. | Lev. | Parts No. | Description | Q'ty | | | | | | I | R |
|-----|------|--------------|----------------------|------|-----|-----|-----|-----|-----|---|---|
| | | | | (A) | (B) | (C) | (D) | (E) | (F) | | |
| 1 | 1 | 129948-13150 | MANIFOLD ASSY, EXH. | 1 | | | | | | | |
| 2 | 2 | 129948-13100 | MANIFOLD, EXHAUST | 1 | | | | | | | |
| 3 | 2 | 119131-18320 | BOLT, STUD M8X22 | 4 | | | | | | | |
| 4 | 2 | 129418-18320 | BOLT, STUD M8X20 | 2 | | | | | | | |
| 5 | 1 | 129900-13251 | GASKET, EXH.MANIFOLD | 1 | | | | | | | |
| 6 | 1 | 123900-13630 | BOLT, M8X80 | 8 | | | | | | | |
| 7 | 1 | 129928-13400 | COOLER ASSY, EGR | 1 | | | | | | | |
| 8 | 1 | 129928-13410 | GASKET | 1 | | | | | | | |
| 9 | 1 | 129928-13410 | GASKET | 1 | | | | | | | |
| 10 | 1 | 119802-13790 | BOLT, M8X25 10.9T | 2 | | | | | | | |
| 11 | 1 | 129948-13800 | PIPE, EGR IN | 1 | | | | | | | |
| 12 | 1 | 129927-13810 | GASKET | 1 | | | | | | | |
| 13 | 1 | 129948-13810 | PIPE, EGR IN | 1 | | | | | | | |
| 14 | 1 | 26106-080352 | BOLT, M8X 35 PLATED | 1 | | | | | | | |
| 15 | 1 | 26106-080452 | BOLT, M8X 45 PLATED | 1 | | | | | | | |
| 16 | 1 | 26106-080552 | BOLT, M8X 55 PLATED | 2 | | | | | | | |
| 17 | 1 | 26106-100252 | BOLT, M10X 25 PLATED | 2 | | | | | | | |
| 18 | 1 | 26306-080002 | NUT, M8 | 2 | | | | | | | |
| 19 | 1 | 129927-13900 | VALVE, EGR | 1 | | | | | | | |
| 20 | 1 | 129927-13910 | GASKET, EGR | 1 | | | | | | | |
| 21 | 1 | 129927-13920 | GASKET, EGR | 1 | | | | | | | |
| 22 | 1 | 26106-100402 | BOLT, M10X 40 PLATED | 1 | | | | | | | |
| 23 | 1 | 26106-101052 | BOLT, M10X105 PLATED | 1 | | | | | | | |
| 24 | 1 | 123901-18080 | GASKET | 1 | | | | | | | |

Fig.7. CAMSHAFT & DRIVING GEAR



(A)=4TNV98T-ZNDI
(B)=
(C)=

(D)=
(E)=
(F)=

| No. | Lev. | Parts No. | Description | Q'ty | | | | | | I | R |
|-----|------|--------------|---------------------|------|-----|-----|-----|-----|-----|---|---|
| | | | | (A) | (B) | (C) | (D) | (E) | (F) | | |
| 1 | 1 | 129150-14200 | TAPPET | 8 | | | | | | | |
| 2 | 1 | 129907-14400 | PUSH-ROD | 8 | | | | | | | |
| 3 | 1 | 129908-14590 | CAMSHAFT ASSY | 1 | | | | | | | |
| 4 | 2 | 129150-02450 | BEARING, THRUST | 1 | | | | | | | |
| 6 | 2 | 129900-14110 | GEAR, CAMSHAFT | 1 | | | | | | | |
| 7 | 2 | 22512-070140 | KEY, 7X 14 | 1 | | | | | | | |
| 8 | 1 | 26106-080162 | BOLT, M8X 16 PLATED | 2 | | | | | | | |
| 9 | 1 | 123900-25060 | SHAFT, IDLE GEAR | 1 | | | | | | | |
| 10 | 1 | 129900-25110 | GEAR ASSY, IDLE | 1 | | | | | | | |
| 13 | 1 | 129150-25920 | BUSH, IDLE GEAR | 1 | | | | | | | 1 |
| 14 | 1 | 26106-080552 | BOLT, M8X 55 PLATED | 3 | | | | | | | |
| 15 | 1 | 129953-25300 | BOLT | 4 | | | | | | | |
| 16 | 1 | 129907-25900 | GEAR, PUMP | 1 | | | | | | | |
| 17 | 1 | 158563-51150 | FLANGE | 1 | | | | | | | |
| 18 | 1 | 22217-180000 | WASHER, SPRING 18 | 1 | | | | | | | |
| 19 | 1 | 26776-180002 | NUT, LOCK M18 | 1 | | | | | | | |
| 20 | 1 | 129900-26030 | GEAR ASSY, PUMP | 1 | | | | | | | |

Remarks
(1) REPAIR PART.

0CW10-M46700 4TNV98T-ZNDI
 Fig.8. TURBINE

0CW10-M46700 Fig.8

(A)=4TNV98T-ZNDI
 (B)=
 (C)=

(D)=
 (E)=
 (F)=

| No. | Lev. | Parts No. | Description | Q'ty | | | | | |
|-----|------|--------------|--------------------|------|-----|-----|-----|-----|-----|
| | | | | (A) | (B) | (C) | (D) | (E) | (F) |
| 1 | 1 | 129935-18010 | TURBOCHARGER, RHF5 | 1 | | | | | |
| 2 | 1 | 129472-18090 | GASKET | 1 | | | | | |
| 3 | 1 | 26306-080002 | NUT, M8 | 4 | | | | | |

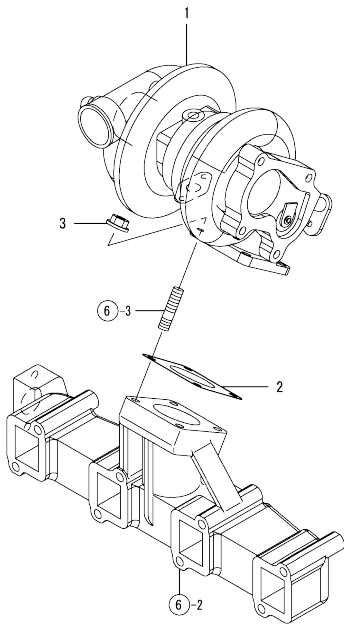
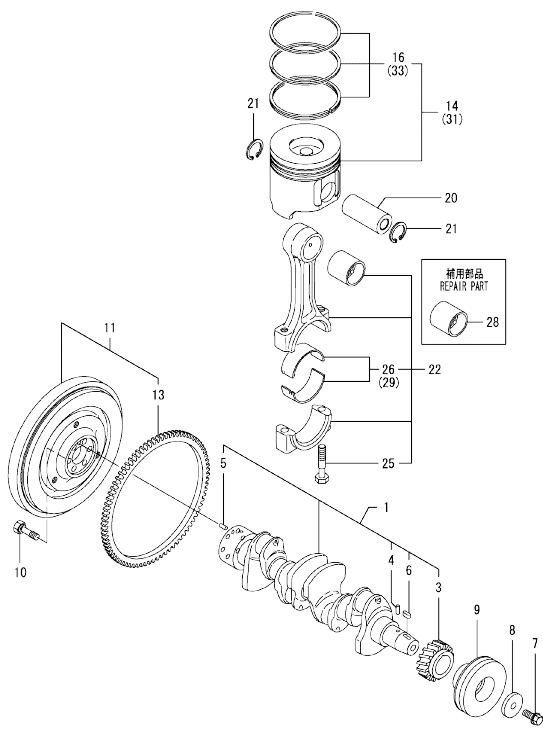


Fig.9. CRANKSHAFT & PISTON



(A)=4TNV98T-ZNDI
(B)=
(C)=

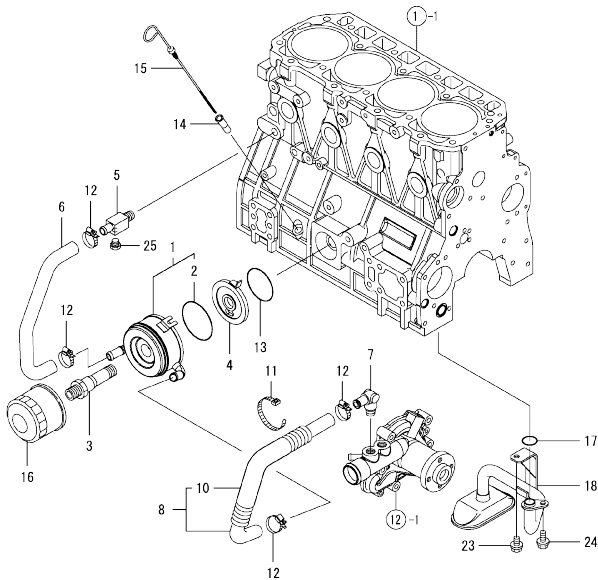
(D)=
(E)=
(F)=

| No. | Lev. | Parts No. | Description | Q'ty | | | | | | I | R |
|-----|------|--------------|----------------------|------|-----|-----|-----|-----|-----|---|---|
| | | | | (A) | (B) | (C) | (D) | (E) | (F) | | |
| 1 | 1 | 129908-21100 | CRANKSHAFT ASSY | 1 | | | | | | | |
| 3 | 2 | 129900-21220 | GEAR, CRANKSHAFT | 1 | | | | | | | |
| 4 | 2 | 121850-21290 | PIN | 1 | | | | | | | |
| 5 | 2 | 121850-21920 | PIN, PARALLEL 10X22 | 1 | | | | | | | |
| 6 | 2 | 22512-070140 | KEY, 7X 14 | 1 | | | | | | | |
| 7 | 1 | 129916-21610 | BOLT | 1 | | | | | | | |
| 8 | 1 | 129900-21640 | WASHER | 1 | | | | | | | |
| 9 | 1 | 129907-21660 | V-PULLEY, CRANK 130 | 1 | | | | | | | |
| 10 | 1 | 121850-21130 | BOLT, FLYWHEEL | 6 | | | | | | | |
| 11 | 1 | 129953-21570 | FLYWHEEL ASSY | 1 | | | | | | | |
| 13 | 2 | 129900-21600 | GEAR, RING | 1 | | | | | | | |
| 14 | 1 | 129928-22080 | PISTON ASSY | 4 | | | | | | | |
| 16 | 2 | 129927-22050 | RING SET, PISTON | 4 | | | | | | | |
| 20 | 1 | 120130-22301 | PIN, PISTON | 4 | | | | | | | |
| 21 | 1 | 22252-000300 | RING, 30 | 8 | | | | | | | |
| 22 | 1 | 129900-23001 | ROD ASSY, CONNECTING | 4 | | | | | | | |
| 25 | 2 | 129900-23200 | BOLT, CONNECTING ROD | 8 | | | | | | | |
| 26 | 2 | 129900-23601 | BEARING, CRANK PIN | 4 | | | | | | | |
| 28 | 1 | 129900-23911 | BEARING, PISTON PIN | 4 | | | | | | | 1 |
| 29 | 1 | 129900-23611 | BEARING ASSY, 0.25US | 4 | | | | | | | 2 |
| 31 | 1 | 729928-22900 | PISTON ASSY, 0.25 OS | 4 | | | | | | | 3 |
| 33 | 2 | 729927-22950 | RING SET, 0.25 OS | 4 | | | | | | | 3 |

Remarks

- (1) REPAIR PART.
- (2) UNDER-SIZED(U.S=0.25)PART.
- (3) OVER-SIZED(O.S=0.25)PART.

Fig.10. LUB.OIL SYSTEM

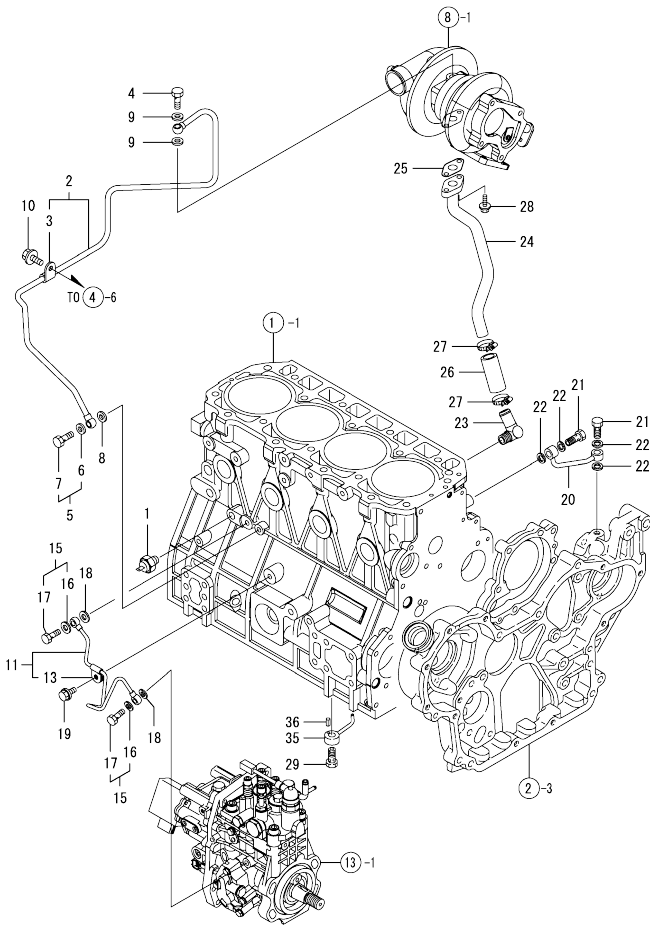


| No. | Lev. | Parts No. | Description | Q'ty | | | | | | I | R |
|-----|------|--------------|----------------------|------|-----|-----|-----|-----|-----|---|---|
| | | | | (A) | (B) | (C) | (D) | (E) | (F) | | |
| 1 | 1 | 129908-33010 | COOLER ASSY, OIL | 1 | | | | | | | |
| 2 | 2 | 123912-33050 | O-RING | 1 | | | | | | | |
| 3 | 1 | 123912-33100 | BOLT, COOLER | 1 | | | | | | | |
| 4 | 1 | 129908-33101 | BRACKET, OIL COOLER | 1 | | | | | | | |
| 5 | 1 | 129006-44480 | JOINT | 1 | | | | | | | |
| 6 | 1 | 129908-49060 | HOSE, WATER | 1 | | | | | | | |
| 7 | 1 | 129466-49300 | ELBOW, PT3/8 | 1 | | | | | | | |
| 8 | 1 | 123910-49600 | HOSE ASSY WATER | 1 | | | | | | | |
| 10 | 2 | 123910-49610 | TUBE, CORRUGATED | 1 | | | | | | | |
| 11 | 1 | 121750-59890 | BAND, NYLON | 1 | | | | | | | |
| 12 | 1 | 23000-025000 | CLAMP, 25 | 4 | | | | | | | |
| 13 | 1 | 24321-000600 | O-RING, 1AG60.0 | 1 | | | | | | | |
| 14 | 1 | 121520-34810 | GUIDE, DIPSTICK | 1 | | | | | | | |
| 15 | 1 | 129953-34830 | DIPSTICK | 1 | | | | | | | |
| 16 | 1 | 129150-35153 | FILTER ASSY, D80X80L | 1 | | | | | | | 1 |
| 17 | 1 | 129900-32030 | O-RING, P20 | 1 | | | | | | | |
| 18 | 1 | 129953-35000 | PIPE ASSY, OIL INLET | 1 | | | | | | | |
| 23 | 1 | 26106-080122 | BOLT, M8X 12 PLATED | 1 | | | | | | | |
| 24 | 1 | 26106-080162 | BOLT, M8X 16 PLATED | 1 | | | | | | | |
| 25 | 1 | 171056-49120 | PLUG, DRAIN R1/4 | 1 | | | | | | | |

Remarks
(1) REPAIR PART.

OCW10-M46700 4TNV98T-ZNDI
 Fig.11. LUB.OIL LINE

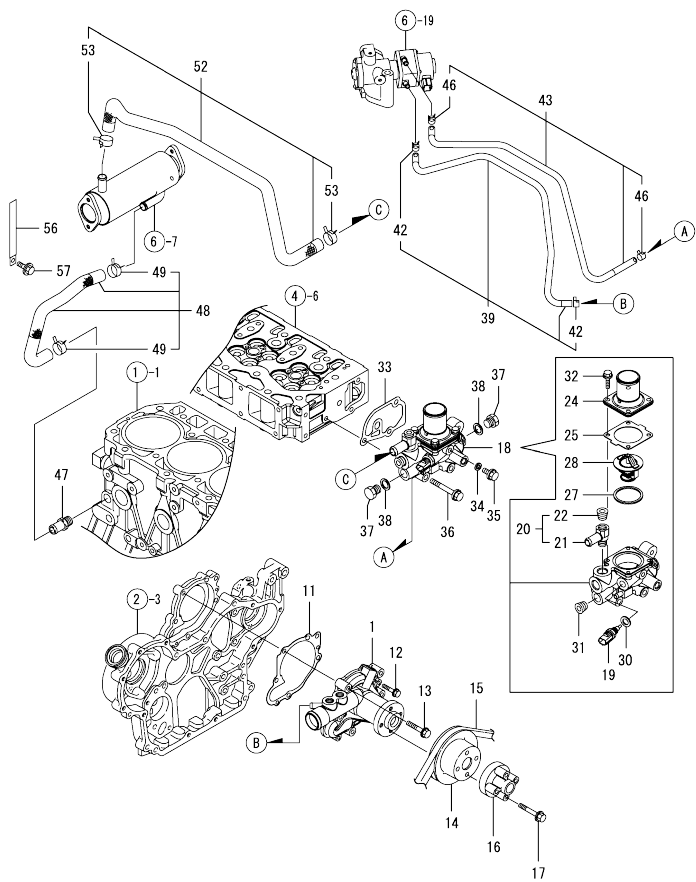
OCW10-M46700 Fig.11



| No. | Lev. | Parts No. | Description | Q'ty | | | | | | I | R |
|-----|------|--------------|---------------------|------|-----|-----|-----|-----|-----|---|---|
| | | | | (A) | (B) | (C) | (D) | (E) | (F) | | |
| 1 | 1 | 119761-39450 | SWITCH, HYDRAULIC | 1 | | | | | | | |
| 2 | 1 | 129949-39060 | PIPE ASSY, OIL | 1 | | | | | | | |
| 3 | 2 | 124223-39900 | RETAINER | 1 | | | | | | | |
| 4 | 1 | 121252-39150 | BOLT, JOINT M10X1.5 | 1 | | | | | | | |
| 5 | 1 | 129005-59830 | BOLT ASSY, JOINT M8 | 1 | | | | | | | |
| 6 | 2 | 22190-080002 | WASHER, SEAL 6 | 1 | | | | | | | |
| 7 | 2 | 23857-030000 | BOLT, JOINT 3 | 1 | | | | | | | |
| 8 | 1 | 22190-080002 | WASHER, SEAL 6 | 1 | | | | | | | |
| 9 | 1 | 23414-100000 | GASKET, 10X1.0 | 2 | | | | | | | |
| 10 | 1 | 26106-080122 | BOLT, M8X 12 PLATED | 1 | | | | | | | |
| 11 | 1 | 129927-39060 | PIPE ASSY, OIL | 1 | | | | | | | |
| 13 | 2 | 123907-39500 | RETAINER, PIPE | 1 | | | | | | | |
| 15 | 1 | 129005-59830 | BOLT ASSY, JOINT M8 | 2 | | | | | | | |
| 16 | 2 | 22190-080002 | WASHER, SEAL 6 | 2 | | | | | | | |
| 17 | 2 | 23857-030000 | BOLT, JOINT 3 | 2 | | | | | | | |
| 18 | 1 | 22190-080002 | WASHER, SEAL 6 | 2 | | | | | | | |
| 19 | 1 | 26106-080122 | BOLT, M8X 12 PLATED | 1 | | | | | | | |
| 20 | 1 | 129930-39050 | PIPE, OIL | 1 | | | | | | | |
| 21 | 1 | 105010-39140 | BOLT, PIPE JOINT | 2 | | | | | | | |
| 22 | 1 | 22190-080002 | WASHER, SEAL 6 | 4 | | | | | | | |
| 23 | 1 | 124070-13300 | ELBOW, PT3/8 | 1 | | | | | | | |
| 24 | 1 | 129974-39600 | PIPE ASSY, OIL | 1 | | | | | | | |
| 25 | 1 | 129908-39690 | GASKET | 1 | | | | | | | |
| 26 | 1 | 123901-39820 | HOSE, LO RETURN | 1 | | | | | | | |
| 27 | 1 | 23000-025000 | CLAMP, 25 | 2 | | | | | | | |
| 28 | 1 | 26106-060162 | BOLT, M6X 16 PLATED | 2 | | | | | | | |
| 29 | 1 | 129908-39410 | VALVE ASSY, CHECK | 4 | | | | | | | |
| 35 | 1 | 119000-39650 | NOZZLE, COOLING | 4 | | | | | | | |
| 36 | 1 | 22351-030010 | PIN, SPRING 3.0X10 | 4 | | | | | | | |

N:Old $\frac{100}{100}$ New, Q:Old $\frac{100}{100}$ New, R:Old $\frac{100}{100}$ New, S:Old $\frac{100}{100}$ New, W:Add, Z:Discontinued, F:Interchangeable by set, K:Q'ty Change
 Copyright (C) YANMAR GLOBAL CS CO., LTD. All Rights Reserved.

Fig.12. COOLING WATER SYSTEM



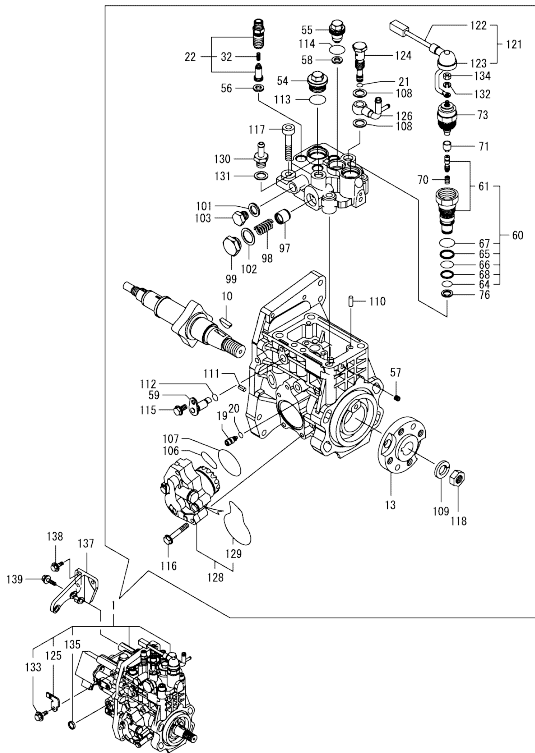
| No. | Lev. | Parts No. | Description | Qty | | | | | | I | R |
|-----|------|--------------|-----------------------|-----|-----|-----|-----|-----|-----|---|---|
| | | | | (A) | (B) | (C) | (D) | (E) | (F) | | |
| 1 | 1 | 129927-42000 | PUMP ASSY, WATER | 1 | | | | | | | |
| 11 | 1 | 129900-42020 | GASKET, WATER PUMP | 1 | | | | | | | |
| 12 | 1 | 26106-060302 | BOLT, M6X 30 PLATED | 2 | | | | | | | |
| 13 | 1 | 26106-080552 | BOLT, M8X 55 PLATED | 5 | | | | | | | |
| 14 | 1 | 129900-42461 | V-PULLEY, C.W.PUMP | 1 | | | | | | | |
| 15 | 1 | 25132-004150 | V-BELT, A41.5 | 1 | | | | | | | |
| 16 | 1 | 119141-44760 | SPACER, FAN | 1 | | | | | | | |
| 17 | 1 | 26106-080552 | BOLT, M8X 55 PLATED | 4 | | | | | | | |
| 18 | 1 | 129928-49800 | CASE ASSY, THERMOSTAT | 1 | | | | | | | |
| 19 | 2 | 129927-44900 | SENSOR, WATER TEMP. | 1 | | | | | | | |
| 20 | 2 | 129928-49400 | JOINT ASSY | 1 | | | | | | | |
| 21 | 3 | 129928-49410 | JOINT | 1 | | | | | | | |
| 22 | 3 | 23875-030000 | PLUG, R03 | 1 | | | | | | | |
| 24 | 2 | 129916-49530 | COVER, THERMOSTAT | 1 | | | | | | | |
| 25 | 2 | 121850-49540 | GASKET, THERMOSTAT | 1 | | | | | | | |
| 27 | 2 | 121850-49550 | GASKET, THERMOSTAT | 1 | | | | | | | |
| 28 | 2 | 121850-49810 | THERMOSTAT, 71C | 1 | | | | | | | |
| 30 | 2 | 22190-120002 | WASHER, SEAL 12 | 1 | | | | | | | |
| 31 | 2 | 23875-030000 | PLUG, R03 | 1 | | | | | | | |
| 32 | 2 | 26106-060202 | BOLT, M6X 20 PLATED | 4 | | | | | | | |
| 33 | 1 | 129900-49870 | GASKET, THERMOSTAT | 1 | | | | | | | |
| 34 | 1 | 23414-080000 | GASKET, 8X1.0 | 1 | | | | | | | |
| 35 | 1 | 26106-080122 | BOLT, M8X 12 PLATED | 1 | | | | | | | |
| 36 | 1 | 26106-080602 | BOLT, M8X 60 PLATED | 3 | | | | | | | |
| 37 | 1 | 121450-42450 | PLUG, M16 | 2 | | | | | | | |
| 38 | 1 | 124465-44950 | GASKET, 16 | 2 | | | | | | | |
| 39 | 1 | 129927-49610 | HOSE ASSY, WATER | 1 | | | | | | | |
| 42 | 2 | 23080-012000 | CLAMP, 12 | 2 | | | | | | | |
| 43 | 1 | 129927-49620 | HOSE ASSY, WATER | 1 | | | | | | | |
| 46 | 2 | 23080-012000 | CLAMP, 12 | 2 | | | | | | | |
| 47 | 1 | 129928-49420 | JOINT | 1 | | | | | | | |
| 48 | 1 | 129948-49610 | HOSE ASSY, WATER | 1 | | | | | | | |
| 49 | 2 | 129960-03990 | CLAMP, HOSE 19.8 | 2 | | | | | | | |
| 52 | 1 | 129948-49620 | HOSE ASSY, WATER | 1 | | | | | | | |
| 53 | 2 | 129960-03990 | CLAMP, HOSE 19.8 | 2 | | | | | | | |
| 56 | 1 | 129928-79700 | CLAMP, 150-M8 | 1 | | | | | | | |
| 57 | 1 | 26106-080122 | BOLT, M8X 12 PLATED | 1 | | | | | | | |

N:Old $\frac{100}{100}$ New, Q:Old $\frac{100}{100}$ New, R:Old $\frac{100}{100}$ New, S:Old $\frac{100}{100}$ New, W:Add, Z:Discontinued, F:Interchangeable by set, K:Qty Change
 Copyright (C) YANMAR GLOBAL CS CO., LTD. All Rights Reserved.

Fig.13. FUEL INJECTION PUMP

(A)=4TNV98T-ZNDI
(B)=
(C)=

(D)=
(E)=
(F)=

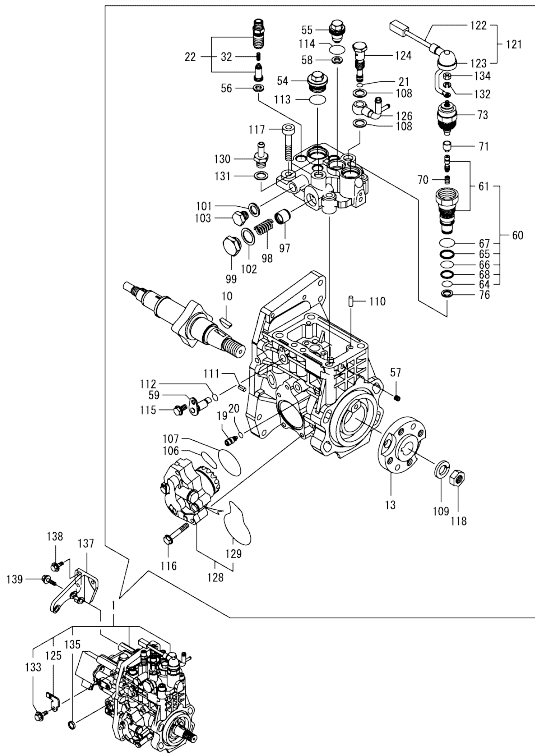


| No. | Lev. | Parts No. | Description | Qty | | | | | | I | R | |
|-----|------|--------------|----------------------|-----|-----|-----|-----|-----|-----|---|---|--|
| | | | | (A) | (B) | (C) | (D) | (E) | (F) | | | |
| 1 | 1 | 729948-51340 | PUMP ASSY, INJECTION | 1 | | | | | | | 1 | |
| 10 | 2 | 144626-51090 | FEATHER KEY, 5X19 | 1 | | | | | | | | |
| 13 | 2 | 158563-51150 | FLANGE | 1 | | | | | | | | |
| 19 | 2 | 158600-51270 | STOPPER, TAPPET | 1 | | | | | | | | |
| 20 | 2 | 158563-51281 | O-RING, 4D S6 | 1 | | | | | | | | |
| 21 | 2 | 158563-51281 | O-RING, 4D S6 | 1 | | | | | | | | |
| 22 | 2 | 129928-51390 | VALVE ASSY, DELIVERY | 4 | | | | | | | | |
| 32 | 3 | 158563-51330 | SPRING, DELIVERY | 4 | | | | | | | | |
| 54 | 2 | 158601-51550 | PLUG, M22 | 1 | | | | | | | | |
| 55 | 2 | 129907-51560 | PLUG, M16 | 1 | | | | | | | | |
| 56 | 2 | 158552-51571 | GASKET, PLUG | 4 | | | | | | | | |
| 57 | 2 | 158557-51570 | PLUG, RACK | 1 | | | | | | | | |
| 58 | 2 | 129906-51580 | GASKET, PLUG | 1 | | | | | | | | |
| 59 | 2 | 158552-51580 | LIFTER, LINK | 1 | | | | | | | | |
| 60 | 2 | 129657-51590 | TIMER ASSY | 1 | | | | | | | | |
| 61 | 3 | 129657-51600 | TIMER ASSY | 1 | | | | | | | | |
| 64 | 3 | 158553-51670 | O-RING | 1 | | | | | | | | |
| 65 | 3 | 119802-51680 | RING, BACKUP | 1 | | | | | | | | |
| 66 | 3 | 119802-51690 | O-RING | 1 | | | | | | | | |
| 67 | 3 | 24356-010200 | O-RING, 4D1020 | 1 | | | | | | | | |
| 68 | 3 | 24372-000150 | RING, BACK UP T2P15 | 1 | | | | | | | | |
| 70 | 2 | 119852-51630 | SPRING, TIMER | 1 | | | | | | | | |
| 71 | 2 | 119852-51640 | CAP, TIMER | 1 | | | | | | | | |
| 73 | 2 | 119852-51650 | VALVE ASSY, SOLENOID | 1 | | | | | | | | |
| 76 | 2 | 158553-51680 | GASKET, TIMER | 1 | | | | | | | | |
| 97 | 2 | 158601-51770 | PISTON, ACCUMULATOR | 1 | | | | | | | | |
| 98 | 2 | 158552-51781 | SPRING, ACCUMULATOR | 1 | | | | | | | | |
| 99 | 2 | 158601-51790 | PLUG | 1 | | | | | | | | |
| 101 | 2 | 22190-120002 | WASHER, SEAL 12 | 1 | | | | | | | | |
| 102 | 2 | 22190-180002 | WASHER, SEAL 18 | 1 | | | | | | | | |
| 103 | 2 | 23887-120002 | PLUG, 12 | 1 | | | | | | | | |
| 106 | 2 | 158552-52310 | O-RING | 1 | | | | | | | | |
| 107 | 2 | 158552-52400 | O-RING, 4E S42 | 1 | | | | | | | | |
| 108 | 2 | 22190-120002 | WASHER, SEAL 12 | 2 | | | | | | | | |
| 109 | 2 | 22217-180000 | WASHER, SPRING 18 | 1 | | | | | | | | |
| 110 | 2 | 22312-050140 | PIN, PARALLEL M5X14 | 2 | | | | | | | | |
| 111 | 2 | 22351-050010 | PIN, SPRING 5.0X10 | 2 | | | | | | | | |
| 112 | 2 | 24311-000070 | O-RING, 1AP7.0 | 1 | | | | | | | | |
| 113 | 2 | 24356-010200 | O-RING, 4D1020 | 1 | | | | | | | | |
| 114 | 2 | 24356-020210 | O-RING, 4D2021 | 1 | | | | | | | | |
| 115 | 2 | 26106-060102 | BOLT, M6X 10 PLATED | 1 | | | | | | | | |
| 116 | 2 | 26106-060352 | BOLT, M6X 35 PLATED | 4 | | | | | | | | |
| 117 | 2 | 26450-100452 | BOLT, M10X 45 | 4 | | | | | | | | |
| 118 | 2 | 26776-180002 | NUT, LOCK M18 | 1 | | | | | | | | |
| 121 | 2 | 129927-51650 | HARNESS ASSY, WIRE | 1 | | | | | | | | |
| 122 | 3 | 129927-51660 | HARNESS | 1 | | | | | | | | |
| 123 | 3 | 129263-77941 | CAP, RUBBER | 1 | | | | | | | | |
| 124 | 2 | 158601-51650 | JOINT, OVER FLOW | 1 | | | | | | | | |
| 125 | 2 | 129927-51670 | BRACKET | 1 | | | | | | | | |
| 126 | 2 | 158552-51670 | JOINT, OVER FLOW | 1 | | | | | | | | |
| 128 | 2 | 158552-52100 | PUMP ASSY, FUEL FEED | 1 | | | | | | | | |

Remarks

(1) GOVERNOR ASSY (FIG.14) IS INCORPORATED IN THIS FUEL INJECTION PUMP (REF.NO.1).
* ECO PUMP
MAKE SURE TO UPDATE THE ENGINES ECU INFORMATION WHEN REPLACING THE ECO PUMP.
FAILING TO DO SO WILL RESULT IN ENGINE MALFUNCTION.

Fig.13. FUEL INJECTION PUMP



(A)=4TNV98T-ZNDI
(B)=
(C)=

(D)=
(E)=
(F)=

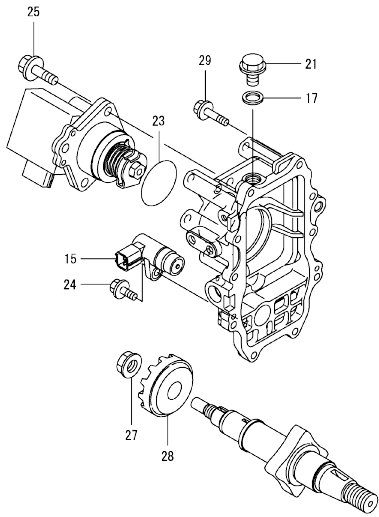
| No. | Lev. | Parts No. | Description | Q'ty | | | | | |
|-----|------|--------------|---------------------|------|-----|-----|-----|-----|-----|
| | | | | (A) | (B) | (C) | (D) | (E) | (F) |
| 129 | 3 | 158552-52500 | O-RING | 1 | | | | | |
| 130 | 2 | 119934-59910 | JOINT, PIPE | 1 | | | | | |
| 131 | 2 | 22190-120002 | WASHER, SEAL 12 | 1 | | | | | |
| 132 | 2 | 22217-050000 | WASHER, SPRING 5 | 1 | | | | | |
| 133 | 2 | 26106-060122 | BOLT, M6X 12 PLATED | 1 | | | | | |
| 134 | 2 | 26716-050002 | NUT, M5 | 1 | | | | | |
| 135 | 2 | 27241-160000 | PLUG, 16 | 1 | | | | | |
| 137 | 1 | 129927-51250 | RETAINER, PUMP | 1 | | | | | |
| 138 | 1 | 26106-080202 | BOLT, M8X 20 PLATED | 3 | | | | | |
| 139 | 1 | 26106-080302 | BOLT, M8X 30 PLATED | 3 | | | | | |

Remarks

(1) GOVERNOR ASSY (FIG.14) IS INCORPORATED IN THIS FUEL INJECTION PUMP (REF.NO.1).
* ECO PUMP
MAKE SURE TO UPDATE THE ENGINES ECU INFORMATION WHEN REPLACING THE ECO PUMP.
FAILING TO DO SO WILL RESULT IN ENGINE MALFUNCTION.

0CW10-M46700 4TNV98T-ZNDI
 Fig.14. GOVERNOR

0CW10-M46700 Fig.14



(A)=4TNV98T-ZNDI
 (B)=
 (C)=

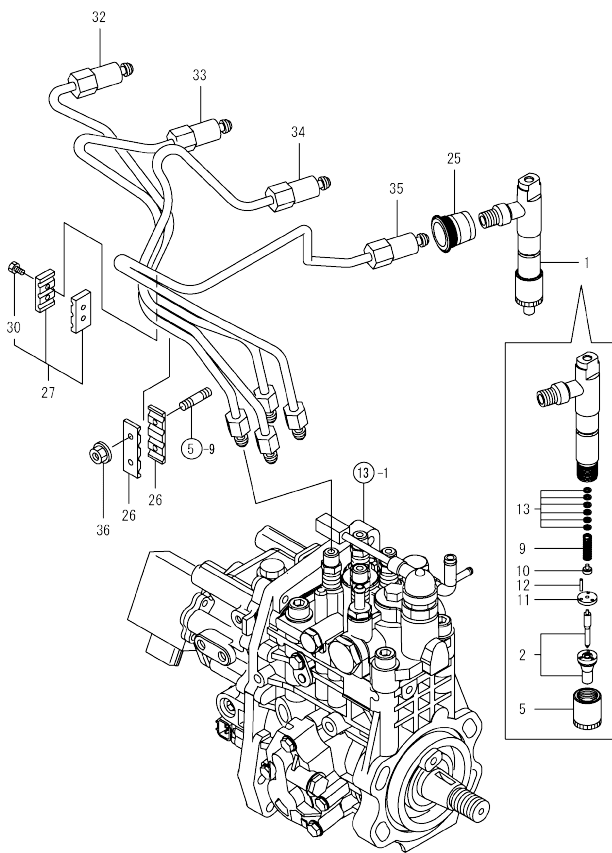
(D)=
 (E)=
 (F)=

| No. | Lev. | Parts No. | Description | Q'ty | | | | | | I | R |
|-----|------|--------------|---------------------|------|-----|-----|-----|-----|-----|---|---|
| | | | | (A) | (B) | (C) | (D) | (E) | (F) | | |
| 15 | 2 | 158557-61720 | SENSOR | 1 | | | | | | | |
| 17 | 2 | 22190-120000 | WASHER, SEAL 12 | 1 | | | | | | | |
| 21 | 2 | 23887-120002 | PLUG, 12 | 1 | | | | | | | |
| 23 | 2 | 24341-000480 | O-RING, 1AS48.0 | 1 | | | | | | | |
| 24 | 2 | 26106-060162 | BOLT, M6X 16 PLATED | 1 | | | | | | | |
| 25 | 2 | 26106-080252 | BOLT, M8X 25 PLATED | 3 | | | | | | | |
| 27 | 2 | 129008-61301 | NUT | 1 | | | | | | | |
| 28 | 2 | 158553-61780 | GEAR, SENSOR | 1 | | | | | | | |
| 29 | 2 | 26106-060252 | BOLT, M6X 25 PLATED | 10 | | | | | | | |

Remarks
 * THIS FIGURE(GOVERNOR ASSY)IS
 INCORPORATED IN THE FUEL INJECTION
 PUMP ASSY(FIG.13).

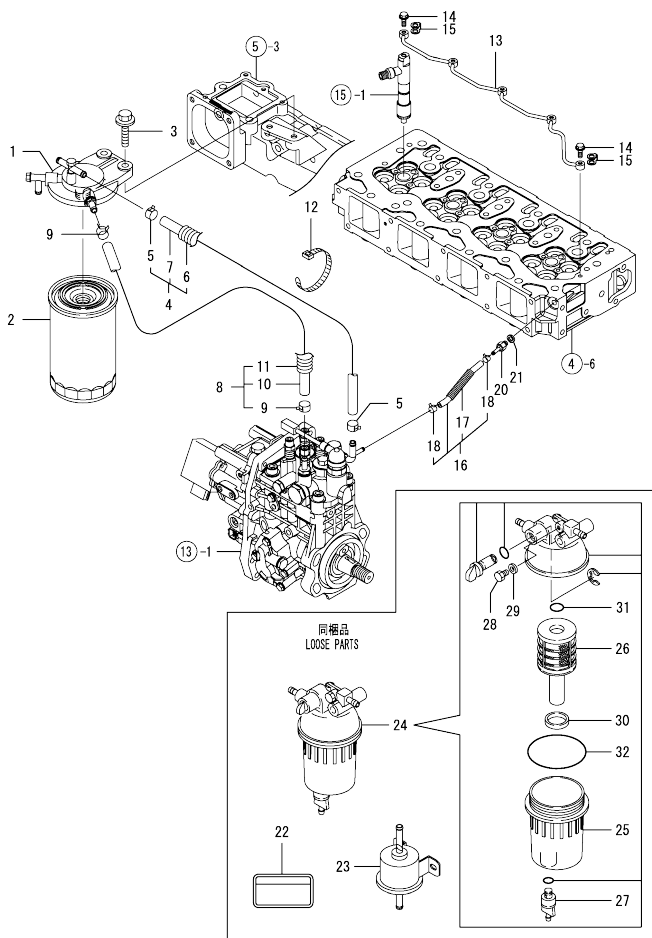
N:Old $\frac{100}{100}$ New, Q:Old $\frac{100}{100}$ New, R:Old $\frac{100}{100}$ New, S:Old $\frac{100}{100}$ New, W:Add, Z:Discontinued, F:Interchangeable by set, K:Q'ty Change
 Copyright (C) YANMAR GLOBAL CS CO., LTD. All Rights Reserved.

Fig.15. FUEL INJECTION VALVE



| No. | Lev. | Parts No. | Description | Q'ty | | | | | |
|-----|------|--------------|----------------------|------|-----|-----|-----|-----|-----|
| | | | | (A) | (B) | (C) | (D) | (E) | (F) |
| 1 | 1 | 729928-53100 | FUEL INJECTOR ASSY | 4 | | | | | |
| 2 | 2 | 129928-53000 | NOZZLE ASSY, F.I. | 4 | | | | | |
| 5 | 2 | 114250-53080 | NUT, NOZZLE | 4 | | | | | |
| 9 | 2 | 114250-53120 | SPRING, NOZZLE | 4 | | | | | |
| 10 | 2 | 114250-53130 | SEAT, SPRING | 4 | | | | | |
| 11 | 2 | 114250-53140 | SPACER | 4 | | | | | |
| 12 | 2 | 114250-53210 | PIN | 8 | | | | | |
| 13 | 2 | 114250-53400 | SHIM SET | 4 | | | | | |
| 25 | 1 | 123907-11601 | SEAL, PIPE | 4 | | | | | |
| 26 | 1 | 123472-59120 | RETAINER, PIPE | 2 | | | | | |
| 27 | 1 | 129150-59120 | RETAINER, PIPE | 1 | | | | | |
| 30 | 2 | 129150-59131 | BOLT, M4X14 | 2 | | | | | |
| 32 | 1 | 129927-59810 | PIPE ASSY, INJECTION | 1 | | | | | |
| 33 | 1 | 129927-59820 | PIPE ASSY, INJECTION | 1 | | | | | |
| 34 | 1 | 129927-59830 | PIPE ASSY, INJECTION | 1 | | | | | |
| 35 | 1 | 129927-59840 | PIPE ASSY, INJECTION | 1 | | | | | |
| 36 | 1 | 26366-060002 | NUT, M6 | 2 | | | | | |

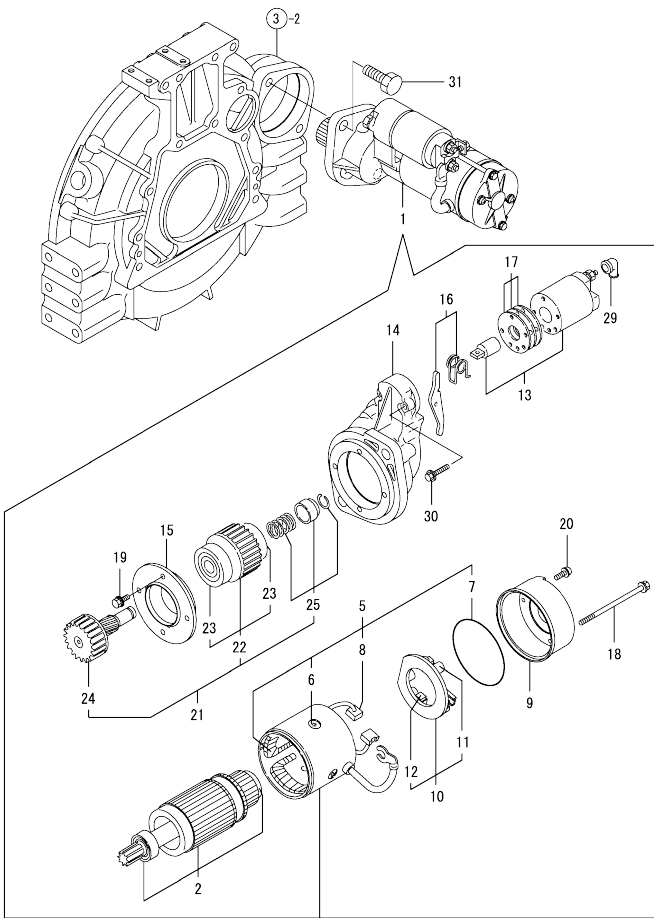
Fig.16. FUEL LINE



| No. | Lev. | Parts No. | Description | Q'ty | | | | | | I | R |
|-----|------|--------------|-----------------------|------|-----|-----|-----|-----|-----|---|---|
| | | | | (A) | (B) | (C) | (D) | (E) | (F) | | |
| 1 | 1 | 129004-55612 | BRACKET, FILTER | 1 | | | | | | | |
| 2 | 1 | 129907-55801 | FILTER, FUEL | 1 | | | | | | | |
| 3 | 1 | 26106-080302 | BOLT, M8X 30 PLATED | 2 | | | | | | | |
| 4 | 1 | 129457-59010 | HOSE ASSY, FUEL | 1 | | | | | | | |
| 5 | 2 | 124766-59050 | CLAMP, HOSE 11.5 | 2 | | | | | | | |
| 6 | 2 | 129957-59120 | TUBE, CORRUGATED 15 | 1 | | | | | | | |
| 7 | 2 | 105025-59750 | HOSE, FUEL | 1 | | | | | | | |
| 8 | 1 | 129961-59310 | HOSE ASSY, FUEL | 1 | | | | | | | |
| 9 | 2 | 124766-59050 | CLAMP, HOSE 11.5 | 2 | | | | | | | |
| 10 | 2 | 129136-59110 | HOSE, D13/7.5X270 | 1 | | | | | | | |
| 11 | 2 | 129961-59110 | TUBE, CORRUGATED 15 | 1 | | | | | | | |
| 12 | 1 | 121750-59890 | BAND, NYLON | 1 | | | | | | | |
| 13 | 1 | 129907-59140 | PIPE ASSY, RETURN | 1 | | | | | | | |
| 14 | 1 | 123907-59540 | BOLT, PIPE JOINT M6 | 5 | | | | | | | |
| 15 | 1 | 123907-59550 | GASKET | 5 | | | | | | | |
| 16 | 1 | 129927-59550 | HOSE ASSY RETURN | 1 | | | | | | | |
| 17 | 2 | 129263-49750 | TUBE, CORRUGATED | 1 | | | | | | | |
| 18 | 2 | 124722-59050 | CLAMP, HOSE 9 | 2 | | | | | | | |
| 20 | 1 | 123907-59560 | JOINT, HOSE | 1 | | | | | | | |
| 21 | 1 | 22190-080002 | WASHER, SEAL 6 | 1 | | | | | | | |
| 22 | 1 | 114110-07760 | LABEL, FUEL CAUTION | 1 | | | | | | | |
| 23 | 1 | 119225-52102 | PUMP, FUEL FEED | 1 | | | | | | | |
| 24 | 1 | 129242-55700 | SEPARATOR ASSY, WATER | 1 | | | | | | | |
| 25 | 2 | 129242-55720 | CUP, SEPARATOR | 1 | | | | | | | |
| 26 | 2 | 129242-55730 | ELEMENT, FUEL | 1 | | | | | | | |
| 27 | 2 | 129242-55740 | PLUG, DRAIN | 1 | | | | | | | |
| 28 | 2 | 129242-55750 | VALVE, AIR VENT | 1 | | | | | | | |
| 29 | 2 | 129242-55760 | GASKET, PLUG | 1 | | | | | | | |
| 30 | 2 | 129242-55770 | FLOAT | 1 | | | | | | | |
| 31 | 2 | 24311-000160 | O-RING, 1AP16.0 | 1 | | | | | | | |
| 32 | 2 | 24321-000750 | O-RING, 1AG75.0 | 1 | | | | | | | |

N:Old $\frac{100}{100}$ New, Q:Old $\frac{100}{100}$ New, R:Old $\frac{100}{100}$ New, S:Old $\frac{100}{100}$ New, W:Add, Z:Discontinued, F:Interchangeable by set, K:Q'ty Change
 Copyright (C) YANMAR GLOBAL CS CO., LTD. All Rights Reserved.

Fig.17. STARTING MOTOR



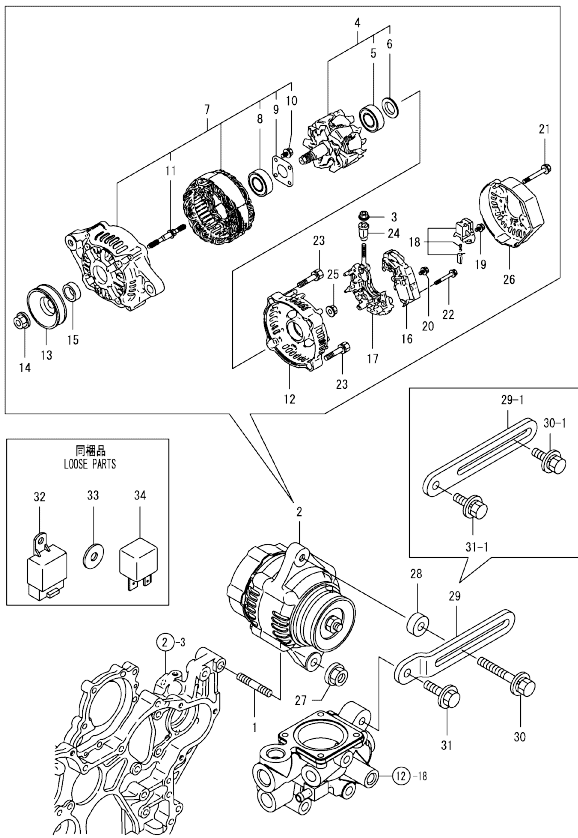
(A)=4TNV98T-ZNDI
(B)=
(C)=

(D)=
(E)=
(F)=

| No. | Lev. | Parts No. | Description | Qty | | | | | | I | R |
|-----|------|--------------|----------------------|-----|-----|-----|-----|-----|-----|---|---|
| | | | | (A) | (B) | (C) | (D) | (E) | (F) | | |
| 1 | 1 | 129940-77010 | STARTER ASSY | 1 | | | | | | | |
| 2 | 2 | 129940-77100 | ARMATURE ASSY | 1 | | | | | | | |
| 5 | 2 | 129940-77130 | COIL ASSY, FIELD | 1 | | | | | | | |
| 6 | 3 | 129940-77140 | SCREW, CORE SET | 4 | | | | | | | |
| 7 | 3 | 129940-77150 | O-RING | 1 | | | | | | | |
| 8 | 3 | 129940-77160 | BRUSH | 2 | | | | | | | |
| 9 | 2 | 129940-77170 | COVER | 1 | | | | | | | |
| 10 | 2 | 129940-77180 | HOLDER ASSY, BRUSH | 1 | | | | | | | |
| 11 | 3 | 129940-77190 | SPRING, BRUSH | 1 | | | | | | | |
| 12 | 3 | 129940-77200 | BRUSH | 2 | | | | | | | |
| 13 | 2 | 129940-77210 | SWITCH ASSY, MAGNET | 1 | | | | | | | |
| 14 | 2 | 129940-77220 | CASE, GEAR | 1 | | | | | | | |
| 15 | 2 | 129940-77230 | RETAINER, BEARING | 1 | | | | | | | |
| 16 | 2 | 129940-77240 | LEVER SET | 1 | | | | | | | |
| 17 | 2 | 129940-77250 | COVER KIT, DUST | 1 | | | | | | | |
| 18 | 2 | 129940-77260 | BOLT, THROUGH | 2 | | | | | | | |
| 19 | 2 | 129940-77270 | BOLT | 4 | | | | | | | |
| 20 | 2 | 129940-77280 | SCREW | 2 | | | | | | | |
| 21 | 2 | 123900-77510 | PINION ASSY | 1 | | | | | | | |
| 22 | 3 | 123900-77520 | CLUTCH ASSY | 1 | | | | | | | |
| 23 | 4 | X2240610100 | BEARING, BALL | 2 | | | | | | | |
| 24 | 3 | 123900-77540 | SHAFT, PINION | 1 | | | | | | | |
| 25 | 3 | 119131-77550 | STOPPER SET, PINION | 1 | | | | | | | |
| 29 | 2 | 121254-77810 | COVER, TERMINAL | 1 | | | | | | | |
| 30 | 2 | 114371-79070 | BOLT | 2 | | | | | | | |
| 31 | 1 | 26116-120252 | BOLT, M12X 25 PLATED | 2 | | | | | | | |

OCW10-M46700 4TNV98T-ZNDI
 Fig.18. GENERATOR

OCW10-M46700 Fig.18



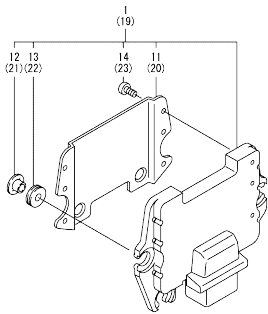
(A)=4TNV98T-ZNDI
 (B)=
 (C)=

(D)=
 (E)=
 (F)=

| No. | Lev. | Parts No. | Description | Q'ty | | | | | | I | R |
|------------|------|--------------|---------------------|------|-----|-----|-----|-----|-----|---|-----|
| | | | | (A) | (B) | (C) | (D) | (E) | (F) | | |
| 1 | 1 | 129795-01900 | BOLT, STUD M10X33 | 1 | | | | | | | |
| 2 | 1 | 119626-77210 | ALTERNATOR, 12V-55A | 1 | | | | | | | |
| 3 | 2 | X9490561001 | NUT | 1 | | | | | | | |
| 4 | 2 | 129052-77380 | ROTOR ASSY | 1 | | | | | | | |
| 5 | 3 | 123501-79240 | BEARING, BALL | 1 | | | | | | | |
| 6 | 3 | 119620-79250 | COVER, BEARING | 1 | | | | | | | |
| 7 | 2 | 129052-77422 | FRAME ASSY | 1 | | | | | | | |
| 8 | 3 | 119620-79200 | BEARING, BALL | 1 | | | | | | | |
| 9 | 3 | 119620-79210 | RETAINER | 1 | | | | | | | |
| 10 | 3 | 119620-79220 | SCREW | 4 | | | | | | | |
| 11 | 3 | 119620-79230 | BOLT, STUD | 2 | | | | | | | |
| 12 | 2 | 128401-77440 | COVER | 1 | | | | | | | |
| 13 | 2 | 119620-77461 | PULLEY, GENERATOR | 1 | | | | | | | |
| 14 | 2 | 119620-77471 | NUT | 1 | | | | | | | |
| 15 | 2 | 119620-77490 | COLLAR | 1 | | | | | | | |
| 16 | 2 | 119626-77710 | REGULATOR ASSY | 1 | | | | | | | |
| 17 | 2 | 129052-79260 | HOLDER | 1 | | | | | | | |
| 18 | 2 | 129052-79270 | HOLDER, BRUSH | 1 | | | | | | | |
| 19 | 2 | 119620-79290 | SCREW | 6 | | | | | | | |
| 20 | 2 | 119620-79300 | SCREW | 1 | | | | | | | |
| 21 | 2 | 119620-79310 | BOLT | 3 | | | | | | | |
| 22 | 2 | 119620-79320 | SCREW | 2 | | | | | | | |
| 23 | 2 | 119620-79330 | BOLT | 2 | | | | | | | |
| 24 | 2 | 119620-79340 | BUSH, INSULATION | 1 | | | | | | | |
| 25 | 2 | 119620-79350 | NUT | 2 | | | | | | | |
| 26 | 2 | 119626-77450 | FRAME | 1 | | | | | | | |
| 27 | 1 | 26306-100002 | NUT, M10 | 1 | | | | | | | |
| 28 | 1 | 119940-77270 | SPACER | 1 | | | | | | | Z |
| (A=EXXXXX) | | | | | | | | | | | |
| 29 | 1 | 129972-77330 | ADJUSTER, BELT | 1 | | | | | | | |
| 29-1 | 1 | 129988-77330 | ADJUSTER, BELT | 1 | | | | | | | S 1 |
| (A=EXXXXX) | | | | | | | | | | | |
| 30 | 1 | 129972-77341 | BOLT, ADJUST L=50 | 1 | | | | | | | |
| 30-1 | 1 | 119810-77340 | BOLT, ADJUST L=30 | 1 | | | | | | | S 1 |
| (A=EXXXXX) | | | | | | | | | | | |
| 31 | 1 | 26106-080222 | BOLT, M8X 22 PLATED | 1 | | | | | | | |
| 31-1 | 1 | 26014-080252 | BOLT, M8X 25 | 1 | | | | | | | S 1 |
| (A=EXXXXX) | | | | | | | | | | | |
| 32 | 1 | 198461-52950 | RELAY, CA TYPE C | 3 | | | | | | | |
| 33 | 1 | 129927-77690 | WASHER, ECU | 3 | | | | | | | |
| 34 | 1 | 129927-77920 | RELAY, ISO 70A | 1 | | | | | | | |

Remarks
 (1) Interchangeable by simultaneous replacement with Ref.29-1, 30-1 and 31-1.

Fig.19. ELECTRONIC CONTROL UNIT (ECU)



(A)=4TNV98T-ZNDI
(B)=
(C)=

(D)=
(E)=
(F)=

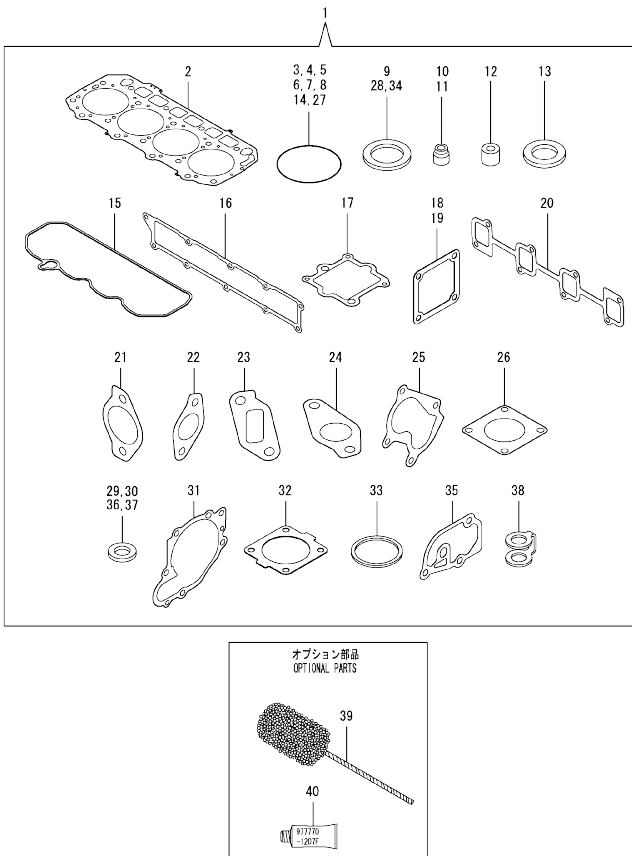
| No. | Lev. | Parts No. | Description | Q'ty | | | | | | I | R |
|-----|------|--------------|----------------------|------|-----|-----|-----|-----|-----|---|---|
| | | | | (A) | (B) | (C) | (D) | (E) | (F) | | |
| 1 | 1 | 129948-75040 | CONTROLLER ASSY, EUC | 1 | | | | | | | 1 |
| 11 | 2 | 129927-77600 | SHIELD, ECU | 1 | | | | | | | |
| 12 | 2 | 129927-77680 | COLLAR, CONTROL | 3 | | | | | | | |
| 13 | 2 | 119578-91351 | ABSORBER | 3 | | | | | | | |
| 14 | 2 | 22877-500080 | SCREW, 5X 8 | 6 | | | | | | | |
| 19 | 1 | 129927-75900 | ECU ASSY, SERVICE | 1 | | | | | | | 2 |
| 20 | 2 | 129927-77600 | SHIELD, ECU | 1 | | | | | | | |
| 21 | 2 | 129927-77680 | COLLAR, CONTROL | 3 | | | | | | | |
| 22 | 2 | 119578-91351 | ABSORBER | 3 | | | | | | | |
| 23 | 2 | 22877-500080 | SCREW, 5X 8 | 6 | | | | | | | |

Remarks

(1)ECO ECU
THIS PART CANNOT BE ORDERED.
REPLACE THE PART USING A SERVICE
ECU WITH THE PROPER ENGINE
INFORMATION INSTALLED.
(2)SERVICE ECU
IF THE PROPER INFORMATION IS NOT
INSTALLED, THE ENGINE WILL NOT
OPERATE.
TO INSTALL PROPER INFORMATION,
GO TO AN AUTHORIZED DISTRIBUTOR.

0CW10-M46700 4TNV98T-ZNDI
Fig.20. GASKET SET

0CW10-M46700 Fig.20



(A)=4TNV98T-ZNDI
(B)=
(C)=

(D)=
(E)=
(F)=

| No. | Lev. | Parts No. | Description | Qty | | | | | | I | R | |
|-----|------|--------------|----------------------|-----|-----|-----|-----|-----|-----|---|---|---|
| | | | | (A) | (B) | (C) | (D) | (E) | (F) | | | |
| 1 | 1 | 729928-92660 | GASKET SET | 1 | | | | | | | 1 | |
| 2 | 2 | 129907-01331 | GASKET, HEAD | 1 | | | | | | | | |
| 3 | 2 | 129900-32030 | O-RING, P20 | 2 | | | | | | | | |
| 4 | 2 | 129900-32040 | O-RING, P14 | 1 | | | | | | | | |
| 5 | 2 | 24311-000070 | O-RING, 1AP7.0 | 1 | | | | | | | | |
| 6 | 2 | 24351-030750 | O-RING, 1A3075 | 1 | | | | | | | | |
| 7 | 2 | 24311-000320 | O-RING, 1AP32.0 | 2 | | | | | | | | |
| 8 | 2 | 24321-000850 | O-RING, 1AG85.0 | 1 | | | | | | | | |
| 9 | 2 | 22190-220002 | WASHER, SEAL 22 | 1 | | | | | | | | |
| 10 | 2 | 119803-11340 | SEAL, VALVE STEM | 8 | | | | | | | | |
| 11 | 2 | 124160-11340 | SEAL, VALVE STEM | 8 | | | | | | | | |
| 12 | 2 | 119802-11870 | PROTECTOR, NOZZLE | 4 | | | | | | | | |
| 13 | 2 | 119625-11880 | SEAT, NOZZLE | 4 | | | | | | | | |
| 14 | 2 | 24311-000120 | O-RING, 1AP12.0 | 8 | | | | | | | | |
| 15 | 2 | 129933-11310 | GASKET, BONNET | 1 | | | | | | | | |
| 16 | 2 | 129907-12110 | GASKET, MANIFOLD | 1 | | | | | | | | |
| 17 | 2 | 129928-13720 | GASKET | 1 | | | | | | | | |
| 18 | 2 | 119129-77020 | GASKET | 1 | | | | | | | | |
| 19 | 2 | 121850-77021 | GASKET, AIR HEATER | 1 | | | | | | | | |
| 20 | 2 | 129900-13251 | GASKET, EXH.MANIFOLD | 1 | | | | | | | | |
| 21 | 2 | 129928-13410 | GASKET | 2 | | | | | | | | |
| 22 | 2 | 129927-13810 | GASKET | 1 | | | | | | | | |
| 23 | 2 | 129927-13910 | GASKET, EGR | 1 | | | | | | | | |
| 24 | 2 | 129927-13920 | GASKET, EGR | 1 | | | | | | | | |
| 25 | 2 | 123901-18080 | GASKET | 1 | | | | | | | | |
| 26 | 2 | 129472-18090 | GASKET | 1 | | | | | | | | |
| 27 | 2 | 24321-000600 | O-RING, 1AG60.0 | 1 | | | | | | | | |
| 28 | 2 | 22190-080002 | WASHER, SEAL 6 | 11 | | | | | | | | |
| 29 | 2 | 23414-100000 | GASKET, 10X1.0 | 2 | | | | | | | | |
| 30 | 2 | 129908-39690 | GASKET | 1 | | | | | | | | |
| 31 | 2 | 129900-42020 | GASKET, WATER PUMP | 1 | | | | | | | | |
| 32 | 2 | 121850-49540 | GASKET, THERMOSTAT | 1 | | | | | | | | |
| 33 | 2 | 121850-49550 | GASKET, THERMOSTAT | 1 | | | | | | | | |
| 34 | 2 | 22190-120002 | WASHER, SEAL 12 | 1 | | | | | | | | |
| 35 | 2 | 129900-49870 | GASKET, THERMOSTAT | 1 | | | | | | | | |
| 36 | 2 | 23414-080000 | GASKET, 8X1.0 | 1 | | | | | | | | |
| 37 | 2 | 124465-44950 | GASKET, 16 | 2 | | | | | | | | |
| 38 | 2 | 123907-59550 | GASKET | 5 | | | | | | | | |
| 39 | 1 | 129400-92450 | HONE, FLEX | 1 | | | | | | | | 1 |
| 40 | 1 | 977770-1207F | GASKET, LIQUID | 1 | | | | | | | | 1 |

Remarks
(1) OPTIONAL PART.

N:Old $\frac{100}{100}$ New, Q:Old $\frac{100}{100}$ New, R:Old $\frac{100}{100}$ New, S:Old $\frac{100}{100}$ New, W:Add, Z:Discontinued, F:Interchangeable by set, K:Qty Change
Copyright (C) YANMAR GLOBAL CS CO., LTD. All Rights Reserved.

Parts No. Index

| Parts No. | Fig. No. | Ref. No. |
|--------------|----------|----------|
| 105010-39140 | 11 | 21 |
| 105025-59750 | 16 | 7 |
| 114110-07760 | 16 | 22 |
| 114250-53080 | 15 | 5 |
| 114250-53120 | 15 | 9 |
| 114250-53130 | 15 | 10 |
| 114250-53140 | 15 | 11 |
| 114250-53210 | 15 | 12 |
| 114250-53400 | 15 | 13 |
| 114371-79070 | 17 | 30 |
| 119000-39650 | 11 | 35 |
| 119005-77051 | 5 | 19 |
| 119100-11330 | 4 | 61 |
| 119129-77020 | 5 | 17 |
| | 20 | 18 |
| 119129-77520 | 5 | 20 |
| 119131-18320 | 6 | 3 |
| 119131-77550 | 17 | 25 |
| 119141-44760 | 12 | 16 |
| 119225-52102 | 16 | 23 |
| 119578-91351 | 19 | 13 |
| | 22 | 22 |
| 119593-11301 | 4 | 34 |
| 119620-01750 | 3 | 4 |
| 119620-11180 | 4 | 18 |
| 119620-77461 | 18 | 13 |
| 119620-77471 | 18 | 14 |
| 119620-77490 | 18 | 15 |
| 119620-79200 | 18 | 8 |
| 119620-79210 | 18 | 9 |
| 119620-79220 | 18 | 10 |
| 119620-79230 | 18 | 11 |
| 119620-79250 | 18 | 6 |
| 119620-79290 | 18 | 19 |
| 119620-79300 | 18 | 20 |
| 119620-79310 | 18 | 21 |
| 119620-79320 | 18 | 22 |
| 119620-79330 | 18 | 23 |
| 119620-79340 | 18 | 24 |
| 119620-79350 | 18 | 25 |
| 119625-11880 | 4 | 30 |
| | 20 | 13 |
| 119626-77210 | 18 | 2 |
| 119626-77450 | 18 | 26 |
| 119626-77710 | 18 | 16 |
| 119640-01640 | 3 | 9 |
| 119761-39450 | 11 | 1 |
| 119802-11870 | 4 | 29 |
| | 20 | 12 |
| 119802-13790 | 6 | 10 |

| Parts No. | Fig. No. | Ref. No. |
|--------------|----------|----------|
| 119802-51680 | 13 | 65 |
| 119802-51690 | 13 | 66 |
| 119803-11340 | 4 | 19 |
| | 20 | 10 |
| 119810-77340 | 18 | 30 -1 |
| 119852-51630 | 13 | 70 |
| 119852-51640 | 13 | 71 |
| 119852-51650 | 13 | 73 |
| 119934-59910 | 13 | 130 |
| 119940-77270 | 18 | 28 |
| 120130-22301 | 9 | 20 |
| 121023-26070 | 2 | 20 |
| 121252-39150 | 11 | 4 |
| 121254-77810 | 17 | 29 |
| 121450-42450 | 12 | 37 |
| 121520-34810 | 10 | 14 |
| 121750-59890 | 10 | 11 |
| | 16 | 12 |
| 121850-21130 | 9 | 10 |
| 121850-21290 | 9 | 4 |
| 121850-21920 | 9 | 5 |
| 121850-49540 | 12 | 25 |
| | 20 | 32 |
| 121850-49550 | 12 | 27 |
| | 20 | 33 |
| 121850-49810 | 12 | 28 |
| 121850-77021 | 5 | 18 |
| | 20 | 19 |
| 123472-59120 | 15 | 26 |
| 123501-79240 | 18 | 5 |
| 123900-13630 | 6 | 6 |
| 123900-25060 | 7 | 9 |
| 123900-77510 | 17 | 21 |
| 123900-77520 | 17 | 22 |
| 123900-77540 | 17 | 24 |
| 123901-03240 | 4 | 76 |
| 123901-18080 | 6 | 24 |
| | 20 | 25 |
| 123901-39820 | 11 | 26 |
| 123907-11280 | 4 | 39 |
| 123907-11550 | 4 | 5 |
| 123907-11601 | 15 | 25 |
| 123907-11820 | 4 | 25 |
| 123907-11830 | 4 | 24 |
| 123907-39500 | 11 | 13 |
| 123907-59540 | 16 | 14 |
| 123907-59550 | 16 | 15 |
| | 20 | 38 |
| 123907-59560 | 16 | 20 |
| 123910-49600 | 10 | 8 |

| Parts No. | Fig. No. | Ref. No. |
|--------------|----------|----------|
| 123910-49610 | 10 | 10 |
| 123912-03250 | 4 | 78 |
| 123912-33050 | 10 | 2 |
| 123912-33100 | 10 | 3 |
| 123951-18220 | 5 | 13 |
| 124070-13300 | 11 | 23 |
| 124160-01751 | 2 | 14 |
| | 4 | 54 |
| 124160-11340 | 4 | 20 |
| | 20 | 11 |
| 124160-11360 | 4 | 65 |
| 124223-39900 | 11 | 3 |
| 124465-44950 | 12 | 38 |
| | 20 | 37 |
| 124722-59050 | 16 | 18 |
| 124766-59050 | 16 | 5 |
| | 9 | 2 |
| 128401-77440 | 18 | 12 |
| 129001-91810 | 2 | 17 |
| | | 28 |
| 129004-55612 | 16 | 1 |
| 129005-59830 | 11 | 5 |
| | 15 | 20 |
| 129006-44480 | 10 | 5 |
| 129008-61301 | 14 | 27 |
| 129052-77380 | 18 | 4 |
| 129052-77422 | 18 | 7 |
| 129052-79260 | 18 | 17 |
| 129052-79270 | 18 | 18 |
| 129100-01580 | 2 | 1 |
| | 3 | 1 |
| 129136-59110 | 16 | 10 |
| 129150-02450 | 7 | 4 |
| 129150-03100 | 4 | 72 |
| 129150-11230 | 4 | 42 |
| | | 46 |
| 129150-11750 | 4 | 23 |
| | | 43 |
| | | 47 |
| 129150-14200 | 7 | 1 |
| 129150-25920 | 7 | 13 |
| 129150-35153 | 10 | 16 |
| 129150-59120 | 15 | 27 |
| 129150-59131 | 15 | 30 |
| 129242-55700 | 16 | 24 |
| 129242-55720 | 16 | 25 |
| 129242-55730 | 16 | 26 |
| 129242-55740 | 16 | 27 |
| 129242-55750 | 16 | 28 |
| 129242-55760 | 16 | 29 |

| Parts No. | Fig. No. | Ref. No. |
|--------------|----------|----------|
| 129242-55770 | 16 | 30 |
| 129263-49750 | 16 | 17 |
| 129263-77941 | 13 | 123 |
| 129400-92450 | 20 | 39 |
| 129410-03990 | 4 | 70 |
| 129418-18320 | 6 | 4 |
| 129457-59010 | 16 | 4 |
| 129466-49300 | 10 | 7 |
| 129472-18090 | 8 | 2 |
| | 20 | 26 |
| 129509-79700 | 4 | 62 |
| 129657-51590 | 13 | 60 |
| 129657-51600 | 13 | 61 |
| 129795-01900 | 18 | 1 |
| 129900-01200 | 1 | 27 |
| 129900-01250 | 1 | 4 |
| 129900-01620 | 3 | 2 |
| 129900-01740 | 2 | 16 |
| 129900-01850 | 2 | 26 |
| 129900-01870 | 2 | 27 |
| 129900-02020 | 1 | 6 |
| 129900-02341 | 1 | 33 |
| 129900-02410 | 1 | 9 |
| 129900-02931 | 1 | 24 |
| 129900-02941 | 1 | 36 |
| 129900-13251 | 6 | 5 |
| | 20 | 20 |
| 129900-14110 | 7 | 6 |
| 129900-14140 | 2 | 31 |
| 129900-21220 | 9 | 3 |
| 129900-21600 | 9 | 13 |
| 129900-21640 | 9 | 8 |
| 129900-23001 | 9 | 22 |
| 129900-23200 | 9 | 25 |
| 129900-23601 | 9 | 26 |
| 129900-23611 | 9 | 29 |
| 129900-23911 | 9 | 28 |
| 129900-25110 | 7 | 10 |
| 129900-26030 | 7 | 20 |
| 129900-26250 | 2 | 32 |
| 129900-32030 | 2 | 6 |
| | 10 | 17 |
| | 20 | 3 |
| 129900-32040 | 2 | 7 |
| | 20 | 4 |
| 129900-42020 | 12 | 11 |
| | 20 | 31 |
| 129900-42461 | 12 | 14 |
| 129900-49870 | 12 | 33 |
| | 20 | 35 |

Parts No. Index

| Parts No. | Fig. No. | Ref. No. | Parts No. | Fig. No. | Ref. No. | Parts No. | Fig. No. | Ref. No. | Parts No. | Fig. No. | Ref. No. |
|--------------|----------|----------|--------------|----------|--------------|--------------|----------|--------------|--------------|----------|----------|
| 129906-51580 | 13 | 58 | 129927-39060 | 11 | 11 | 129940-77150 | 17 | 7 | 158552-52310 | 13 | 106 |
| 129907-01331 | 1 | 28 | 129927-42000 | 12 | 1 | 129940-77160 | 17 | 8 | 158552-52400 | 13 | 107 |
| | 20 | 2 | 129927-42140 | 2 | 7 A | 129940-77170 | 17 | 9 | 158552-52500 | 13 | 129 |
| 129907-03011 | 4 | 56 | 129927-44900 | 12 | 19 | 129940-77180 | 17 | 10 | 158553-51670 | 13 | 64 |
| 129907-03061 | 4 | 57 | 129927-49610 | 12 | 39 | 129940-77190 | 17 | 11 | 158553-51680 | 13 | 76 |
| 129907-03070 | 4 | 58 | 129927-49620 | 12 | 43 | 129940-77200 | 17 | 12 | 158553-61780 | 14 | 28 |
| 129907-07900 | 4 | 1 | 129927-51250 | 13 | 137 | 129940-77210 | 17 | 13 | 158557-51570 | 13 | 57 |
| 129907-11100 | 4 | 15 | 129927-51650 | 13 | 121 | 129940-77220 | 17 | 14 | 158557-61720 | 14 | 15 |
| 129907-11110 | 4 | 16 | 129927-51660 | 13 | 122 | 129940-77230 | 17 | 15 | 158563-51150 | 7 | 17 |
| 129907-11120 | 4 | 17 | 129927-51670 | 13 | 125 | 129940-77240 | 17 | 16 | | 13 | 13 |
| 129907-11250 | 4 | 36 | 129927-59550 | 16 | 16 | 129940-77250 | 17 | 17 | 158563-51281 | 13 | 20 |
| 129907-11260 | 4 | 37 | 129927-59810 | 15 | 32 | 129940-77260 | 17 | 18 | | | 21 |
| 129907-11270 | 4 | 38 | 129927-59820 | 15 | 33 | 129940-77270 | 17 | 19 | 158563-51330 | 13 | 32 |
| 129907-11341 | 4 | 35 | 129927-59830 | 15 | 34 | 129940-77280 | 17 | 20 | 158600-51270 | 13 | 19 |
| 129907-11510 | 4 | 21 | 129927-59840 | 15 | 35 | 129948-01740 | 3 | 8 | 158601-51550 | 13 | 54 |
| 129907-11650 | 4 | 40 | 129927-75900 | 19 | 19 | 129948-03080 | 4 | 68 | 158601-51650 | 13 | 124 |
| 129907-11660 | 4 | 44 | 129927-77600 | 19 | 11 | 129948-07900 | 4 | 2 | 158601-51770 | 13 | 97 |
| 129907-11800 | 4 | 28 | | 20 | 129948-11300 | 4 | 55 | 158601-51790 | 13 | 99 | |
| 129907-11910 | 4 | 31 | 129927-77680 | 19 | 12 | 129948-13100 | 6 | 2 | 171051-01921 | 1 | 5 |
| 129907-11920 | 4 | 48 | | 21 | 129948-13150 | 6 | 1 | 171056-49120 | 10 | 25 | |
| 129907-11950 | 4 | 32 | 129927-77690 | 18 | 33 | 129948-13800 | 6 | 11 | 198461-52950 | 18 | 32 |
| 129907-12110 | 5 | 1 | 129927-77920 | 18 | 34 | 129948-13810 | 6 | 13 | 22190-080002 | 11 | 6 |
| | 20 | 16 | 129928-11700 | 4 | 6 | 129948-49610 | 12 | 48 | | | 8 |
| 129907-14400 | 7 | 2 | 129928-12100 | 5 | 3 | 129948-49620 | 12 | 52 | | | 16 |
| 129907-21660 | 9 | 9 | 129928-12150 | 5 | 2 | 129948-75040 | 19 | 1 | | | 18 |
| 129907-25900 | 7 | 16 | 129928-13400 | 6 | 7 | 129949-18220 | 5 | 14 | | | 22 |
| 129907-51560 | 13 | 55 | 129928-13410 | 6 | 8 | 129949-39060 | 11 | 2 | | 16 | 21 |
| 129907-55801 | 16 | 2 | | | 129953-21570 | 9 | 11 | | 20 | 28 | |
| 129907-59140 | 16 | 13 | | 20 | 129953-25300 | 7 | 15 | 22190-120000 | 14 | 17 | |
| 129908-14590 | 7 | 3 | 129928-13700 | 5 | 4 | 129953-34830 | 10 | 15 | 22190-120002 | 12 | 30 |
| 129908-21100 | 9 | 1 | 129928-13710 | 5 | 5 | 129953-35000 | 10 | 18 | | 13 | 101 |
| 129908-32060 | 2 | 4 | 129928-13720 | 5 | 6 | 129957-59120 | 16 | 6 | | | 108 |
| 129908-33010 | 10 | 1 | | 20 | 129960-03990 | 12 | 49 | | | 131 | |
| 129908-33101 | 10 | 4 | 129928-22080 | 9 | 14 | | 53 | | 20 | 34 | |
| 129908-39410 | 11 | 29 | 129928-49400 | 12 | 20 | 129961-59110 | 16 | 11 | 22190-180002 | 13 | 102 |
| 129908-39690 | 11 | 25 | 129928-49410 | 12 | 21 | 129961-59310 | 16 | 8 | 22190-220002 | 3 | 11 |
| | 20 | 30 | 129928-49420 | 12 | 47 | 129972-03220 | 4 | 74 | | 20 | 9 |
| 129908-49060 | 10 | 6 | 129928-49800 | 12 | 18 | 129972-03230 | 4 | 75 | 22217-050000 | 13 | 132 |
| 129916-01790 | 3 | 7 | 129928-51390 | 13 | 22 | 129972-03240 | 4 | 73 | 22217-180000 | 7 | 18 |
| 129916-01800 | 2 | 25 | 129928-53000 | 15 | 2 | 129972-77330 | 18 | 29 | | 13 | 109 |
| 129916-21610 | 9 | 7 | 129928-79700 | 12 | 56 | 129972-77341 | 18 | 30 | 22252-000300 | 9 | 21 |
| 129916-49530 | 12 | 24 | 129930-39050 | 11 | 20 | 129974-18210 | 5 | 12 | 22312-050140 | 13 | 110 |
| 129927-13810 | 6 | 12 | 129933-01500 | 2 | 3 | 129974-39600 | 11 | 24 | 22351-030010 | 11 | 36 |
| | 20 | 22 | 129933-11310 | 4 | 60 | 129988-77330 | 18 | 29 | 22351-050010 | 13 | 111 |
| 129927-13900 | 6 | 19 | | 20 | 144626-51090 | 13 | 10 | 22351-060012 | 1 | 10 | |
| 129927-13910 | 6 | 20 | 129935-18010 | 8 | 1 | 158552-51571 | 13 | 56 | 22512-070140 | 7 | 7 |
| | 20 | 23 | 129940-77010 | 17 | 1 | 158552-51580 | 13 | 59 | | 9 | 6 |
| 129927-13920 | 6 | 21 | 129940-77100 | 17 | 2 | 158552-51670 | 13 | 126 | 22857-500100 | 4 | 64 |
| | 20 | 24 | 129940-77130 | 17 | 5 | 158552-51781 | 13 | 98 | 22877-500080 | 19 | 14 |
| 129927-22050 | 9 | 16 | 129940-77140 | 17 | 6 | 158552-52100 | 13 | 128 | | | 23 |

Parts No. Index

| Parts No. | Fig. No. | Ref. No. |
|--------------|----------|----------|
| 23000-022000 | 4 | 79 |
| 23000-025000 | 10 | 12 |
| | 11 | 27 |
| 23000-054000 | 5 | 15 |
| 23000-070000 | 5 | 16 |
| 23065-160250 | 4 | 80 |
| 23080-012000 | 12 | 42 |
| | | 46 |
| 23414-080000 | 12 | 34 |
| | 20 | 36 |
| 23414-100000 | 11 | 9 |
| | 20 | 29 |
| 23857-030000 | 11 | 7 |
| | | 17 |
| 23875-030000 | 12 | 22 |
| | | 31 |
| 23876-020000 | 4 | 12 |
| 23876-030000 | 1 | 11 |
| | | 12 |
| | | 13 |
| | | 29 |
| | 4 | 13 |
| 23887-120002 | 13 | 103 |
| | 14 | 21 |
| 24311-000070 | 2 | 8 |
| | 13 | 112 |
| | 20 | 5 |
| 24311-000120 | 4 | 33 |
| | | 66 |
| | 20 | 14 |
| 24311-000160 | 16 | 31 |
| 24311-000320 | 2 | 15 |
| | 4 | 67 |
| | 20 | 7 |
| 24321-000600 | 10 | 13 |
| | 20 | 27 |
| 24321-000750 | 16 | 32 |
| 24321-000850 | 2 | 21 |
| | 20 | 8 |
| 24341-000480 | 14 | 23 |
| 24351-030750 | 2 | 9 |
| | 20 | 6 |
| 24356-010200 | 13 | 67 |
| | | 113 |
| 24356-020210 | 13 | 114 |
| 24372-000150 | 13 | 68 |
| 25132-004150 | 12 | 15 |
| 26014-080252 | 18 | 31 -1 |
| 26106-060102 | 13 | 115 |
| 26106-060122 | 4 | 63 |

| Parts No. | Fig. No. | Ref. No. |
|--------------|----------|----------|
| 26106-060122 | 13 | 133 |
| 26106-060162 | 11 | 28 |
| | 14 | 24 |
| 26106-060202 | 5 | 7 |
| | | 8 |
| | | 12 |
| | | 32 |
| 26106-060252 | 14 | 29 |
| 26106-060302 | 12 | 12 |
| 26106-060352 | 13 | 116 |
| 26106-080122 | 3 | 12 |
| | 10 | 23 |
| | 11 | 10 |
| | | 19 |
| | | 35 |
| | 12 | 57 |
| 26106-080142 | 4 | 81 |
| 26106-080162 | 2 | 10 |
| | | 18 |
| | | 29 |
| | 4 | 3 |
| | 7 | 8 |
| | 10 | 24 |
| 26106-080202 | 2 | 11 |
| | 4 | 4 |
| | 13 | 138 |
| 26106-080222 | 18 | 31 |
| 26106-080252 | 14 | 25 |
| 26106-080302 | 13 | 139 |
| | 16 | 3 |
| 26106-080352 | 6 | 14 |
| 26106-080402 | 2 | 19 |
| | | 30 |
| | 4 | 50 |
| | 5 | 21 |
| 26106-080452 | 2 | 12 |
| | 5 | 10 |
| | 6 | 15 |
| 26106-080552 | 6 | 16 |
| | 7 | 14 |
| | 12 | 13 |
| | | 17 |
| 26106-080602 | 4 | 51 |
| | | 52 |
| | 12 | 36 |
| 26106-080802 | 5 | 11 |
| 26106-080902 | 5 | 22 |
| 26106-100202 | 2 | 22 |
| 26106-100252 | 6 | 17 |
| 26106-100402 | 6 | 22 |
| 26106-101052 | 6 | 23 |

| Parts No. | Fig. No. | Ref. No. |
|--------------|----------|----------|
| 26116-050102 | 4 | 77 |
| 26116-120252 | 17 | 31 |
| 26206-100352 | 3 | 5 |
| 26206-100702 | 3 | 6 |
| 26216-060202 | 5 | 9 |
| 26216-100302 | 2 | 5 |
| 26226-080222 | 4 | 49 |
| 26306-080002 | 4 | 53 |
| | 6 | 18 |
| | 8 | 3 |
| 26306-100002 | 2 | 13 |
| | 18 | 27 |
| 26366-060002 | 15 | 36 |
| 26450-100452 | 13 | 117 |
| 26716-050002 | 13 | 134 |
| 26776-180002 | 7 | 19 |
| | 13 | 118 |
| 27241-160000 | 13 | 135 |
| 27241-300000 | 1 | 14 |
| 27241-400000 | 4 | 14 |
| 27310-070001 | 4 | 26 |
| 729900-02801 | 1 | 30 |
| 729907-01559 | 2 | 23 |
| 729927-22950 | 9 | 33 |
| 729928-01560 | 1 | 1 |
| 729928-22900 | 9 | 31 |
| 729928-53100 | 15 | 1 |
| 729928-92660 | 20 | 1 |
| 729948-51340 | 13 | 1 |
| 977770-1207F | 20 | 40 |
| X2240610100 | 17 | 23 |
| X9490561001 | 18 | 3 |

| Parts No. | Fig. No. | Ref. No. |
|-----------|----------|----------|
|-----------|----------|----------|