

0CD50-M02040EN

# P R E F A C E

This parts catalog is the 1st edition of 4TNV98T-ZCNISC for Dong Feng Iseki Agricultural Machinery Co., Ltd..

Published : January, 2016

## Contents

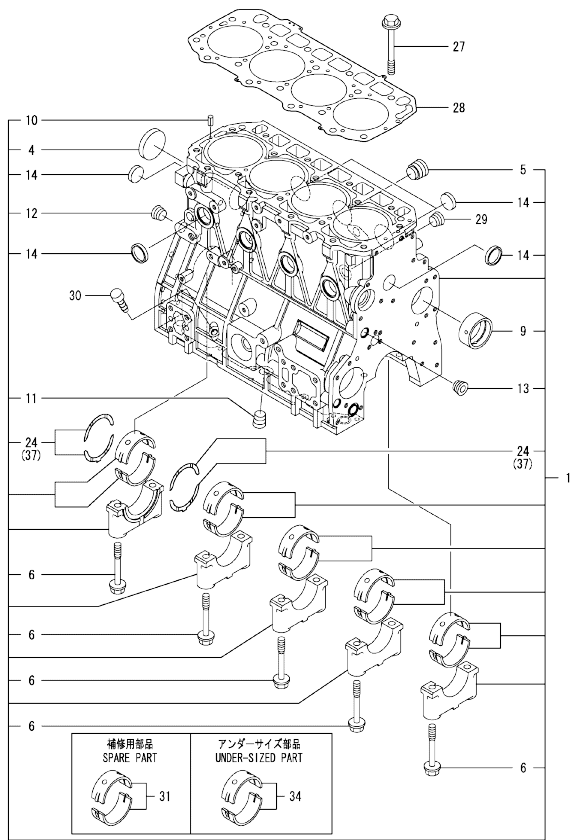
0CD50-M02040

Fig. No.	Fig. Name	Fig. No.	Fig. Name
4	TNV98T-ZCNISC		
1.	CYLINDER BLOCK		
2.	GEAR HOUSING		
3.	OIL SUMP		
4.	CYLINDER HEAD & BONNET		
5.	SUCTION MANIFOLD		
6.	EXHAUST MANIFOLD		
7.	CAMSHAFT & DRIVING GEAR		
8.	TURBINE		
9.	CRANKSHAFT & PISTON		
10.	LUB. OIL SYSTEM		
11.	LUB. OIL PIPE		
12.	COOLING WATER SYSTEM		
13.	FUEL INJECTION PUMP		
14.	GOVERNOR		
15.	FUEL INJECTION VALVE		
16.	FUEL PIPE		
17.	STARTER MOTOR		
18.	GENERATOR		
19.	ELECTRONIC CONTROL UNIT(ECU)		
20.	ELECTRIC PARTS		

Fig.1. CYLINDER BLOCK

(A)=4TNV98T-ZCNISC  
(B)=  
(C)=

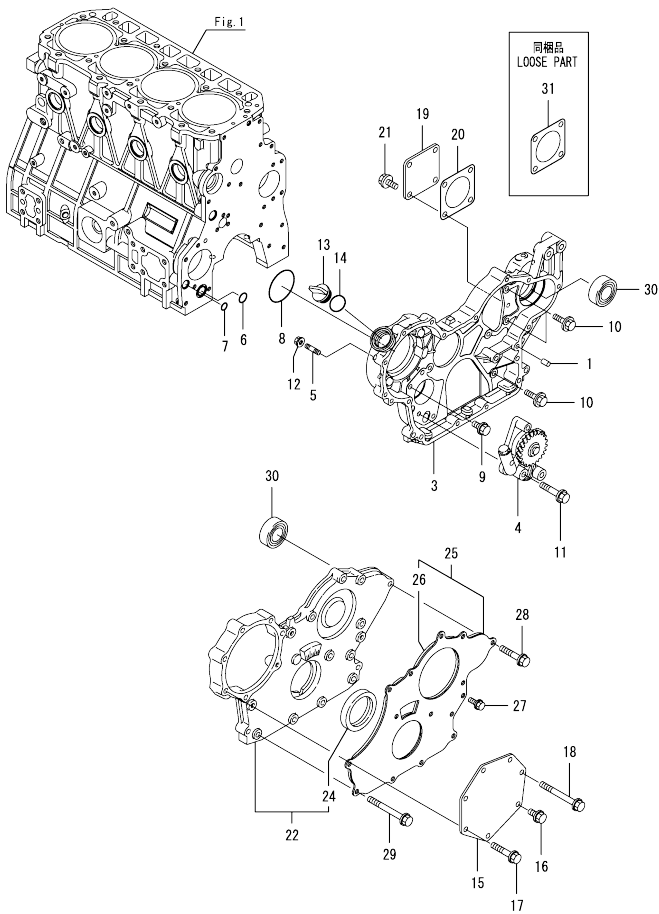
(D)=  
(E)=  
(F)=



No.	Lev.	Parts No.	Description	Q'ty						I	R
				(A)	(B)	(C)	(D)	(E)	(F)		
1	1	729928-01560	BLOCK ASSY, CYLINDER	1							
4	2	129900-01250	PLUG, DISH TYPE 55	1							
5	2	171051-01921	PLUG, NPTF1	1							
6	2	129900-02020	BOLT, METAL CAP	10							
9	2	129900-02410	BUSH, CAMSHAFT	1							
10	2	22351-060012	PIN, SPRING 6.0X12	2							
11	2	23876-030000	PLUG, R03	1							
12	2	23876-030000	PLUG, R03	1							
13	2	23876-030000	PLUG, R03	1							
14	2	27241-300000	PLUG 30	8							
24	2	129900-02931	BEARING ASSY, THRUST	2							
27	1	129900-01200	BOLT, CYLINDER HEAD	18							
28	1	129907-01331	GASKET, HEAD	1							
29	1	23876-030000	PLUG, R03	1							
30	1	124976-34850	PLUG	1							
31	1	729900-02801	BEARING, MAIN	5							1
34	1	129900-02341	BEARING ASSY, MAIN	5							2
37	1	129900-02941	BEARING, THRUST 0.25	2							3

Remarks

- (1) Spare parts.
- (2) Under-sized (U.S.=0.25) parts.
- (3) Over-sized (O.S.=0.25) parts.

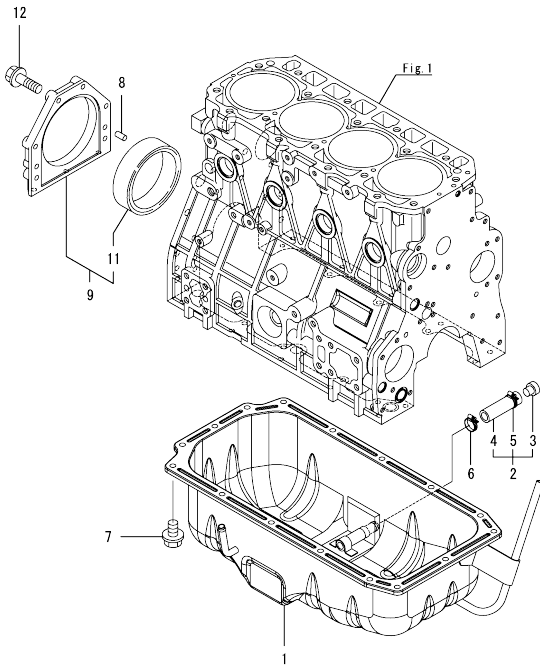


(A)=4TNV98T-ZCNISC  
 (B)=  
 (C)=

(D)=  
 (E)=  
 (F)=

No.	Lev.	Parts No.	Description	Qty						I	R
				(A)	(B)	(C)	(D)	(E)	(F)		
1	1	129100-01580	PIN, PARALLEL 8X16	4							
3	1	129908-01520	CASE, GEAR	1							
4	1	129908-32060	PUMP ASSY, OIL	1							
5	1	26216-100302	STUD, M10X 30	4							
6	1	129900-32030	O-RING, P20	1							
7	1	129900-32040	O-RING, P14	1							
8	1	24351-030750	O-RING, 1A3075	1							
9	1	26106-080162	BOLT, M8X 16 PLATED	1							
10	1	26106-080202	BOLT, M8X 20 PLATED	3							
11	1	26106-080452	BOLT, M8X 45 PLATED	3							
12	1	26306-100002	NUT, M10	4							
13	1	124160-01751	CAP, FILLER	1							
14	1	24311-000320	O-RING, 1AP32.0	1							
15	1	129951-01740	COVER	1							
16	1	26106-080202	BOLT, M8X 20 PLATED	1							
17	1	26106-080452	BOLT, M8X 45 PLATED	5							
18	1	26106-080752	BOLT, M8X 75 PLATED	1							
19	1	124240-01871	COVER, PUMP	1							
20	1	129C26-01890	GASKET, HO-P	1							
21	1	26106-080162	BOLT, M8X 16 PLATED	4							
22	1	729907-01559	COVER ASSY, GEAR CASE	1							
24	2	129916-01800	SEAL, OIL	1							
25	1	129900-01850	COVER ASSY, GEAR CASE	1							
26	2	129900-01870	SPONGE, GEAR CASE	1							
27	1	26106-080162	BOLT, M8X 16 PLATED	3							
28	1	26106-080402	BOLT, M8X 40 PLATED	5							
29	1	26106-080702	BOLT, M8X 70 PLATED	6							
30	1	129900-26250	BEARING, BALL 6206C3	2							
31	1	129C26-01890	GASKET, HO-P	1							

Fig.3. OIL SUMP

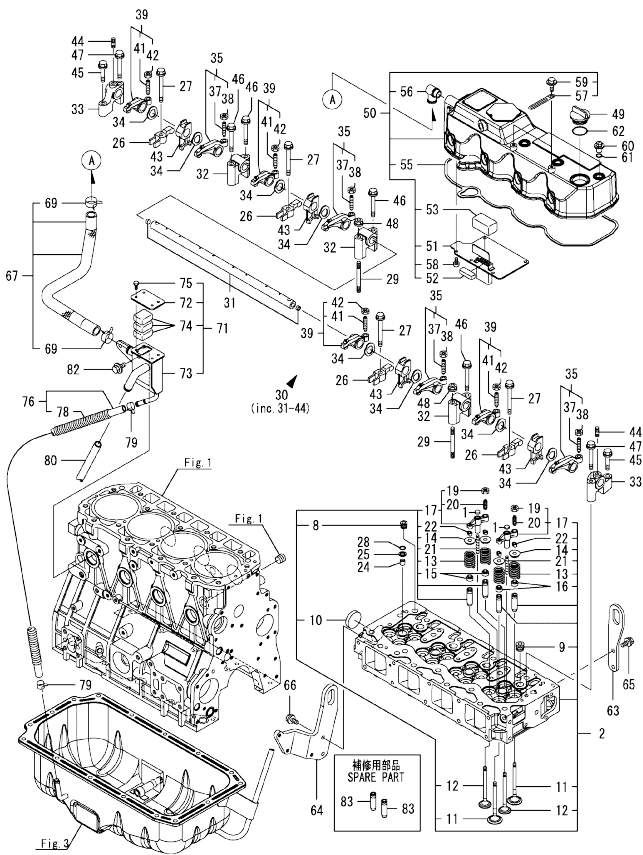


(A)=4TNV98T-ZCNISC  
(B)=  
(C)=

(D)=  
(E)=  
(F)=

No.	Lev.	Parts No.	Description	Q'ty						I	R
				(A)	(B)	(C)	(D)	(E)	(F)		
1	1	129974-01860	OIL PAN ASSY	1							
2	1	119540-39950	HOSE ASSY, OIL DRAIN	1							
3	2	119656-39931	PLUG	1							
4	2	119540-39960	HOSE, DRAIN	1							
5	2	23001-022000	CLAMP, HOSE 22	1							
6	1	23001-022000	CLAMP, HOSE 22	1							
7	1	26106-080122	BOLT, M8X 12 PLATED	16							
8	1	129100-01580	PIN, PARALLEL 8X16	2							
9	1	129966-01650	CASE ASSY, OIL SEAL	1							
11	2	129916-01790	SEAL, D115/95XT11	1							
12	1	129486-01670	BOLT, M8X30	6							

Fig.4. CYLINDER HEAD & BONNET



(A)=4TNV98T-ZCNISC  
(B)=  
(C)=

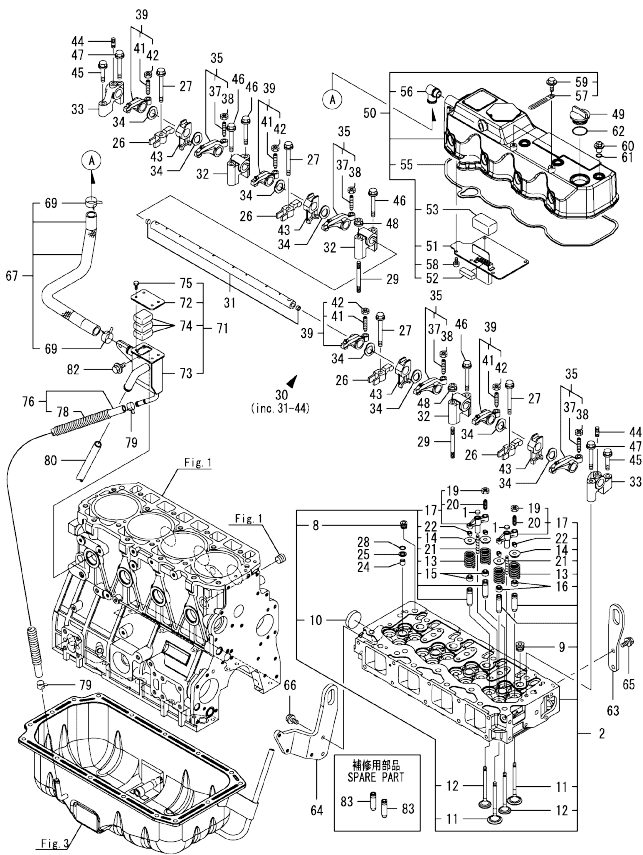
(D)=  
(E)=  
(F)=

No.	Lev.	Parts No.	Description	Q'ty						I	R
				(A)	(B)	(C)	(D)	(E)	(F)		
1	1	123907-11550	SEAT, VALVE BRIDGE	8							
2	1	129928-11710	HEAD ASSY, CYLINDER	1							
8	2	23876-020000	PLUG, R02	1							
9	2	23876-030000	PLUG, R03	4							
10	2	27241-400000	PLUG, 40	1							
11	2	129985-11100	VALVE, INTAKE	8							
12	2	129907-11110	VALVE, EXHAUST	8							
13	2	129907-11120	SPRING, VALVE	16							
14	2	119620-11180	RETAINER, SPRING	16							
15	2	119803-11340	SEAL, VALVE STEM	8							
16	2	124160-11340	SEAL, VALVE STEM	8							
17	2	129907-11510	BRIDGE ASSY, VALVE	8							
19	3	129150-11750	NUT, M8	8							
20	3	123907-11830	ADJUSTER	8							
21	2	123907-11820	GUIDE, BRIDGE	8							
22	2	27310-070001	COTTER, 7	16							
24	1	119802-11870	PROTECTOR, NOZZLE	4							
25	1	119625-11880	SEAT, NOZZLE	4							
26	1	129907-11910	RETAINER, NOZZLE	4							
27	1	129907-11950	BOLT, M8X75	4							
28	1	24311-000120	O-RING, 1AP12.0	4							
29	1	119593-11301	BOLT, STUD M8X80	2							
30	1	129907-11341	SHAFT ASSY, ROCKER	1							
31	2	129907-11250	SHAFT, ROCKER ARM	1							
32	2	129907-11260	SUPPORT, ROCKER ARM	3							
33	2	129907-11270	SUPPORT, ROCKER ARM	2							
34	2	123907-11280	WASHER	8							
35	2	129907-11650	ARM ASSY, ROCKER	4							
37	3	129150-11230	SCREW, VALVE ADJUST	4							
38	3	129150-11750	NUT, M8	4							
39	2	129907-11660	ARM ASSY, ROCKER	4							
41	3	129150-11230	SCREW, VALVE ADJUST	4							
42	3	129150-11750	NUT, M8	4							
43	2	129907-11920	RETAINER, NOZZLE	4							
44	2	26226-080222	STUD, M8X 22	2							
45	1	26106-080402	BOLT, M8X 40 PLATED	2							
46	1	26106-080602	BOLT, M8X 60 PLATED	4							
47	1	26106-080602	BOLT, M8X 60 PLATED	2							
48	1	26306-080002	NUT, M8	2							
49	1	124160-01751	CAP, FILLER	1							
50	1	129948-11300	BONNET ASSY, HEAD	1							
51	2	129907-03011	PLATE, BAFFLE	1							
52	2	129907-03061	BAFFLE, BREATHER	1							
53	2	129907-03070	BAFFLE, BREATHER	1							
55	2	129933-11310	GASKET, BONNET	1							
56	2	119100-11330	ELBOW, BREATHER	1							
57	2	129509-79700	CLAMP, 140-M6	2							
58	2	22857-500100	SCREW, 5X10	6							
59	2	26106-060122	BOLT, M6X 12 PLATED	2							
60	1	124160-11360	KNOB	4							
61	1	24311-000120	O-RING, 1AP12.0	4							

Remarks  
(1) Spare parts.

N:Old  $\frac{New}{Old}$  New, Q:Old  $\frac{New}{Old}$  New, R:Old  $\frac{New}{Old}$  New, S:Old  $\frac{New}{Old}$  New, W:Add, Z:Discontinued, F:Interchangeable by set, K:Q'ty Change  
++ CONTINUE ++  
Copyright (C) 2016 YANMAR GLOBAL CS CO., LTD. All Rights Reserved.

Fig.4. CYLINDER HEAD & BONNET



(A)=4TNV98T-ZCNISC  
(B)=  
(C)=

(D)=  
(E)=  
(F)=

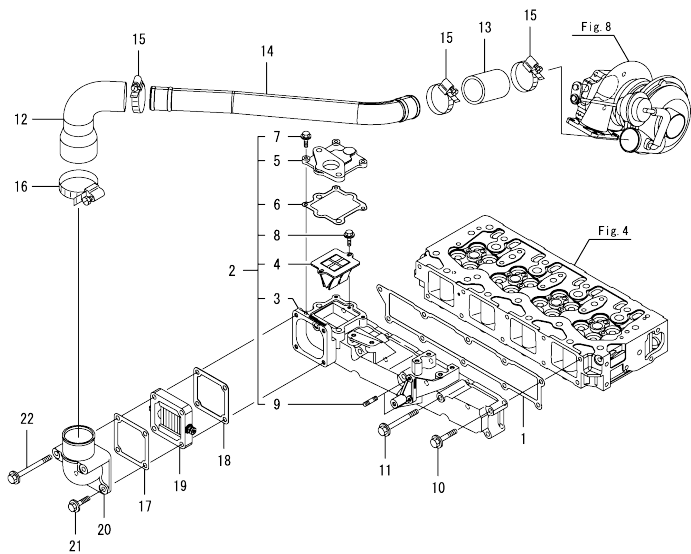
No.	Lev.	Parts No.	Description	Q'ty						I	R
				(A)	(B)	(C)	(D)	(E)	(F)		
62	1	24311-000320	O-RING, 1AP32.0	1							
63	1	129907-07900	LIFTER, ENGINE	1							
64	1	129948-07900	LIFTER, ENGINE	1							
65	1	26106-080162	BOLT, M8X 16 PLATED	2							
66	1	26106-080202	BOLT, M8X 20 PLATED	2							
67	1	129948-03080	HOSE ASSY, BREATHER	1							
69	2	129410-03990	CLAMP, HOSE 21.5	2							
71	1	129972-03240	SEPARATOR ASSY, MIST	1							
72	2	129972-03220	COVER, SEPARATOR	1							
73	2	129972-03230	SEPARATOR, MIST	1							
74	2	123901-03240	FILTER	3							
75	2	26116-050102	BOLT, M5X 10 PLATED	4							
76	1	129928-03300	HOSE ASSY, RETURN	1							
78	2	129928-59130	TUBE, CORRUGATED 19	1							
79	1	23000-022000	CLAMP, 22	2							
80	1	23065-160250	PIPE, 16X 250	1							
82	1	26106-080142	BOLT, M8X 14 PLATED	2							
83	1	129907-11800	GUIDE, VALVE	16							1

Remarks

(1)Spare parts.



Fig.5. SUCTION MANIFOLD

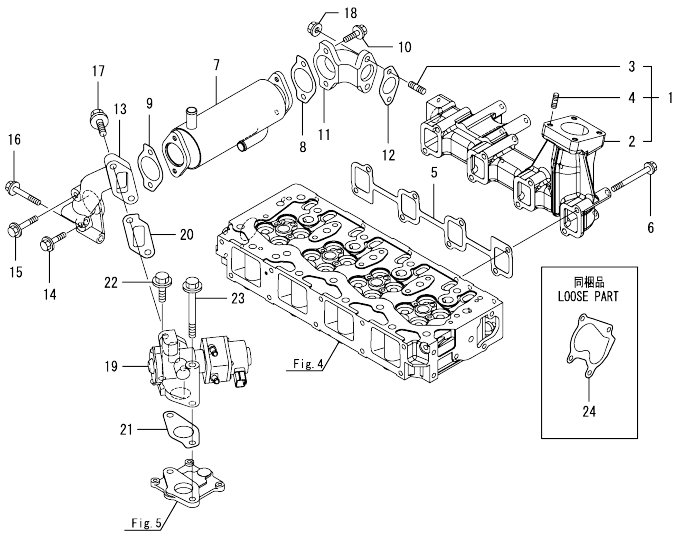


(A)=4TNV98T-ZCNISC  
(B)=  
(C)=

(D)=  
(E)=  
(F)=

No.	Lev.	Parts No.	Description	Q'ty						I	R
				(A)	(B)	(C)	(D)	(E)	(F)		
1	1	129907-12110	GASKET, MANIFOLD	1							
2	1	129928-12150	MANIFOLD ASSY,INTAKE	1							
3	2	129928-12100	MANIFOLD, AIR INTAKE	1							
4	2	129928-13700	VALVE, LEAD	1							
5	2	129928-13710	SPACER, EGR VALVE	1							
6	2	129928-13720	GASKET	1							
7	2	26106-060202	BOLT, M6X 20 PLATED	3							
8	2	26106-060202	BOLT, M6X 20 PLATED	2							
9	2	26216-060202	STUD, M6X 20	2							
10	1	26106-080452	BOLT, M8X 45 PLATED	6							
11	1	26106-080802	BOLT, M8X 80 PLATED	4							
12	1	129949-18210	JOINT, RUBBER	1							
13	1	123951-18220	JOINT, RUBBER	1							
14	1	129974-18220	DUCT, AIR	1							
15	1	23000-054000	CLAMP, 54	3							
16	1	23000-070000	CLAMP, 70	1							
17	1	119129-77020	GASKET	1							
18	1	121850-77021	GASKET, AIR HEATER	1							
19	1	119005-77051	HEATER, AIR	1							
20	1	119129-77520	BEND	1							
21	1	26106-080402	BOLT, M8X 40 PLATED	2							
22	1	26106-080902	BOLT, M8X 90 PLATED	2							

Fig.6. EXHAUST MANIFOLD

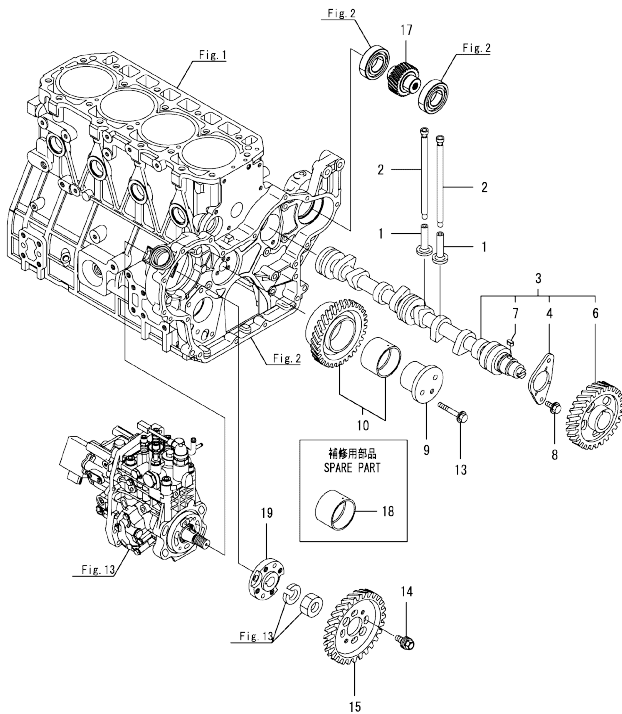


(A)=4TNV98T-ZCNISC  
(B)=  
(C)=

(D)=  
(E)=  
(F)=

No.	Lev.	Parts No.	Description	Q'ty						I	R
				(A)	(B)	(C)	(D)	(E)	(F)		
1	1	129974-13170	MANIFOLD ASSY, EXH.	1							
2	2	129974-13120	MANIFOLD, EXHAUST	1							
3	2	129418-18320	BOLT, STUD M8X20	2							
4	2	129418-18320	BOLT, STUD M8X20	4							
5	1	129900-13251	GASKET, EXH.MANIFOLD	1							
6	1	129E00-13640	BOLT, M8X80 10.9T	8							
7	1	129928-13400	COOLER ASSY, EGR	1							
8	1	129928-13410	GASKET	1							
9	1	129928-13410	GASKET	1							
10	1	119802-13791	BOLT, M8X25 10.9T	2							
11	1	129948-13800	PIPE, EGR IN	1							
12	1	129927-13810	GASKET	1							
13	1	129948-13810	PIPE, EGR IN	1							
14	1	26106-080352	BOLT, M8X 35 PLATED	1							
15	1	26106-080452	BOLT, M8X 45 PLATED	1							
16	1	26106-080552	BOLT, M8X 55 PLATED	2							
17	1	26106-100252	BOLT, M10X 25 PLATED	2							
18	1	26306-080002	NUT, M8	2							
19	1	129928-13900	VALVE, EGR	1							
20	1	129927-13910	GASKET, EGR	1							
21	1	129927-13920	GASKET, EGR	1							
22	1	26106-100402	BOLT, M10X 40 PLATED	1							
23	1	26106-101052	BOLT, M10X105 PLATED	1							
24	1	123901-18080	GASKET	1							

Fig.7. CAMSHAFT & DRIVING GEAR



(A)=4TNV98T-ZCNISC  
(B)=  
(C)=

(D)=  
(E)=  
(F)=

No.	Lev.	Parts No.	Description	Q'ty						I	R
				(A)	(B)	(C)	(D)	(E)	(F)		
1	1	129150-14200	TAPPET	8							
2	1	129907-14400	PUSH-ROD	8							
3	1	129908-14581	CAMSHAFT ASSY	1							
3-1	1	129932-14580	CAMSHAFT ASSY	1							N
		(A=EZ1338B)									
4	2	129150-02450	BEARING, THRUST	1							
6	2	129900-14100	GEAR, CAMSHAFT	1							
7	2	22512-070140	KEY, 7X 14	1							
8	1	26106-080142	BOLT, M8X 14 PLATED	2							
9	1	123900-25060	SHAFT, IDLE GEAR	1							
10	1	129900-25100	GEAR ASSY, IDLE	1							
13	1	26106-080552	BOLT, M8X 55 PLATED	3							
14	1	129953-25300	BOLT	4							
15	1	129907-25900	GEAR, PUMP	1							
17	1	129900-26210	GEAR, PUMP	1							
18	1	129150-25920	BUSH, IDLE GEAR	1							1
19	1	158563-51150	FLANGE	1							

Remarks

(1)Spare parts.

Fig.8. TURBINE

(A)=4TNV98T-ZCNISC  
(B)=  
(C)=

(D)=  
(E)=  
(F)=

No.	Lev.	Parts No.	Description	Q'ty						I	R
				(A)	(B)	(C)	(D)	(E)	(F)		
1	1	129908-18010	TURBOCHARGER, RHF5	1							
2	1	129472-18090	GASKET	1							
3	1	119131-18320	BOLT, STUD M8X22	4							
4	1	26306-080002	NUT, M8	4							

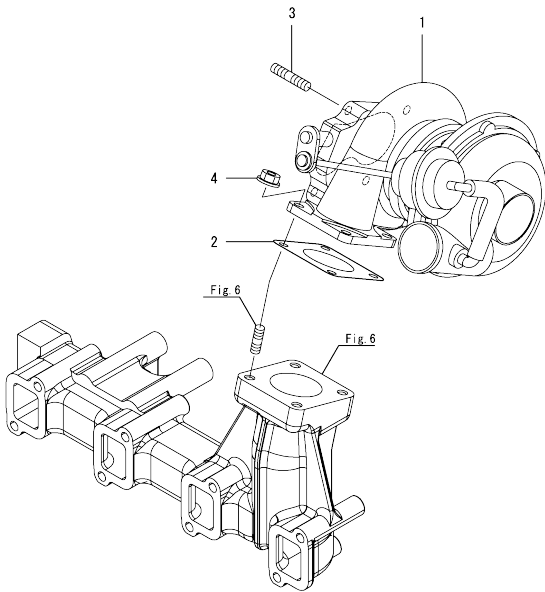
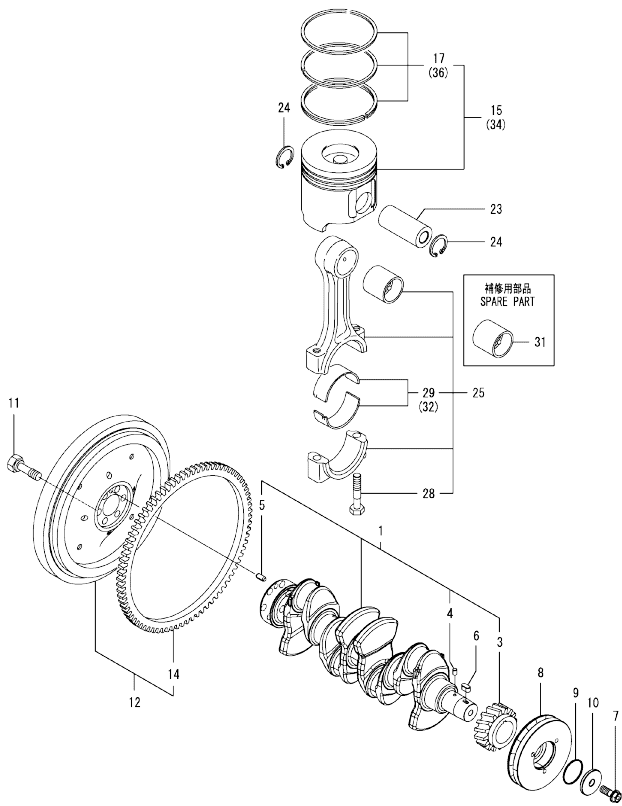


Fig.9. CRANKSHAFT & PISTON



(A)=4TNV98T-ZCNISC  
(B)=  
(C)=

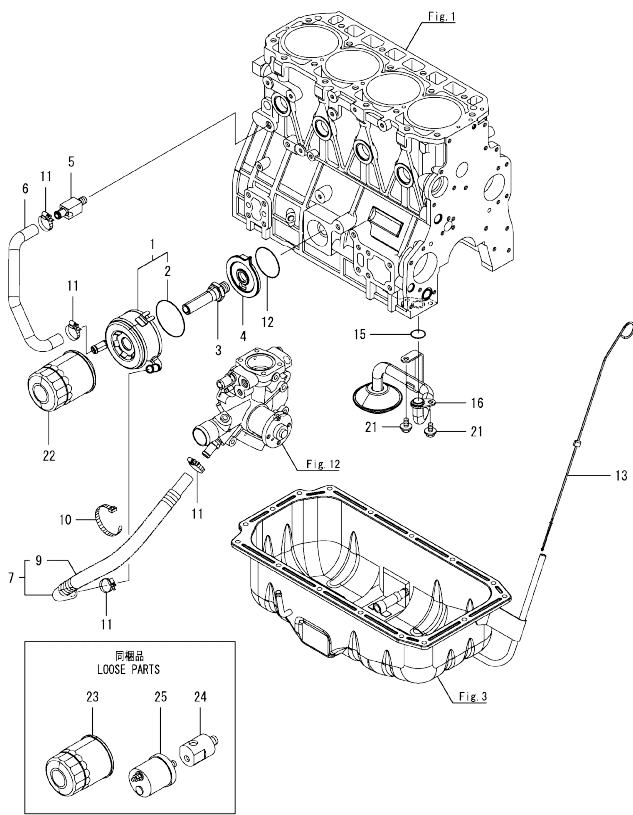
(D)=  
(E)=  
(F)=

No.	Lev.	Parts No.	Description	Q'ty						I	R
				(A)	(B)	(C)	(D)	(E)	(F)		
1	1	129978-21030	CRANKSHAFT ASSY	1							
3	2	129900-21200	GEAR, CRANKSHAFT	1							
4	2	121850-21290	PIN	1							
5	2	121850-21920	PIN, PARALLEL 10X22	1							
6	1	22512-070140	KEY, 7X 14	1							
7	1	129916-21610	BOLT	1							
8	1	129968-21650	V-PULLEY, 155	1							
9	1	129960-21930	GASKET, WASHER	1							
10	1	129960-21940	WASHER, V-PULLEY	1							
11	1	121850-21130	BOLT, FLYWHEEL	6							
12	1	129960-21590	FLYWHEEL ASSY	1							
14	2	129900-21600	GEAR, RING	1							
15	1	129928-22080	PISTON ASSY	4							
17	2	129927-22050	RING SET, PISTON	4							
23	1	120130-22301	PIN, PISTON	4							
24	1	22252-000300	RING, 30	8							
25	1	129900-23001	ROD ASSY, CONNECTING	4							
28	2	129900-23200	BOLT, CONNECTING ROD	8							
29	2	129900-23601	BEARING, CRANK PIN	4							
31	1	129900-23911	BEARING, PISTON PIN	4							1
32	1	129900-23611	BEARING ASSY, 0.25US	4							2
34	1	729928-22900	PISTON ASSY, 0.25 OS	4							3
36	2	729927-22950	RING SET, 0.25 OS	4							3

Remarks

- (1) Spare parts.
- (2) Under-sized (U.S.=0.25) parts.
- (3) Over-sized (O.S.=0.25) parts.

Fig.10. LUB. OIL SYSTEM



(A)=4TNV98T-ZCNISC  
(B)=  
(C)=

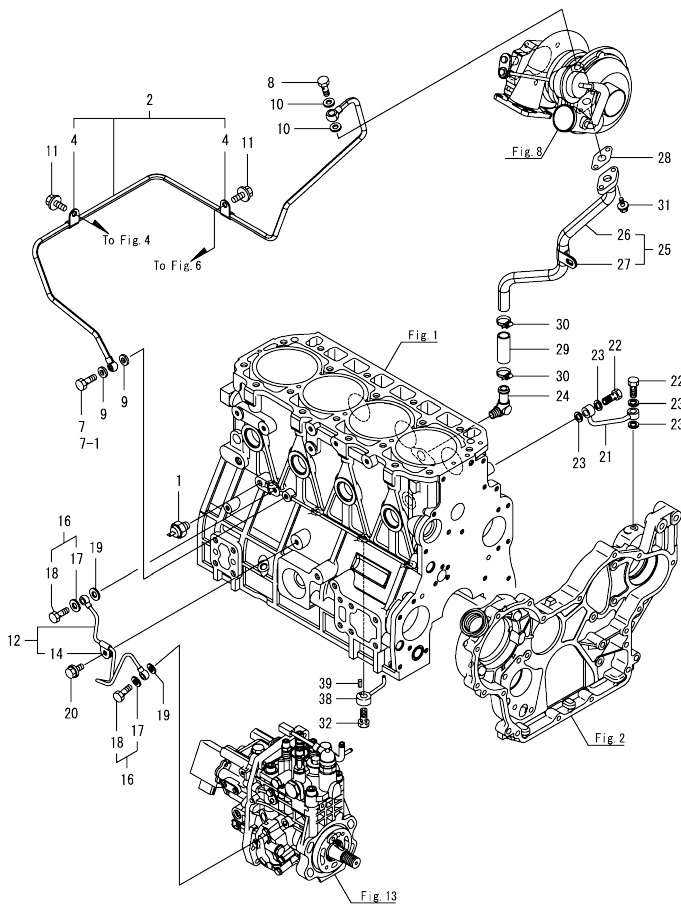
(D)=  
(E)=  
(F)=

No.	Lev.	Parts No.	Description	Q'ty						I	R
				(A)	(B)	(C)	(D)	(E)	(F)		
1	1	129908-33010	COOLER ASSY, OIL	1							
2	2	123912-33050	O-RING	1							
3	1	123912-33100	BOLT, COOLER	1							
4	1	129908-33101	BRACKET, OIL COOLER	1							
5	1	129006-44480	JOINT	1							
6	1	129908-49060	HOSE, WATER	1							
7	1	123910-49600	HOSE ASSY, WATER	1							
9	2	123910-49610	TUBE, CORRUGATED	1							
10	1	121750-59890	BAND, NYLON	1							
11	1	23000-025000	CLAMP, 25	4							
12	1	24321-000600	O-RING, 1AG60.0	1							
13	1	129953-34800	DIPSTICK	1							
15	1	129900-32030	O-RING, P20	1							
16	1	129900-35000	PIPE ASSY, OIL INLET	1							
21	1	26106-080122	BOLT, M8X 12 PLATED	2							
22	1	119005-35151	FILTER, D80X100	1							1
23	1	119005-35151	FILTER, D80X100	1							
24	1	171375-39601	DAMPER, 1/8	1							
25	1	119773-91501	SENSOR, PRESSURE	1							

Remarks

(1) Spare parts.

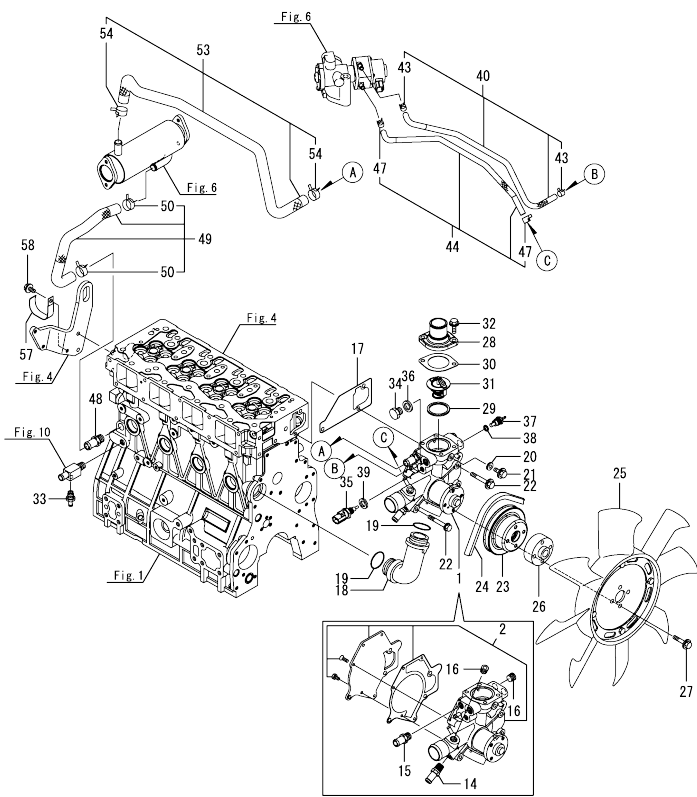
Fig.11. LUB. OIL PIPE



No.	Lev.	Parts No.	Description	Q'ty						I	R
				(A)	(B)	(C)	(D)	(E)	(F)		
1	1	119761-39450	SWITCH, HYDRAULIC	1							
2	1	129974-39080	PIPE ASSY, LUB.OIL	1							
4	2	124223-39900	RETAINER	2							
7	1	105010-39140	BOLT, PIPE JOINT	1							
7-1	1	129198-59540	BOLT, PIPE JOINT M8	1							S
(A="2020.06)											
8	1	121252-39150	BOLT, JOINT M10X1.5	1							
9	1	22190-080002	WASHER, SEAL 8	2							
10	1	23414-100000	GASKET, 10X1.0	2							
11	1	26106-080122	BOLT, M8X 12 PLATED	2							
12	1	129927-39060	PIPE ASSY, OIL	1							
14	2	123907-39500	RETAINER, PIPE	1							
16	1	129005-59830	BOLT ASSY, JOINT M8	2							
17	2	22190-080002	WASHER, SEAL 8	2							
18	2	23857-030000	BOLT, JOINT 3	2							
19	1	22190-080002	WASHER, SEAL 8	2							
20	1	26106-080122	BOLT, M8X 12 PLATED	1							
21	1	129930-39050	PIPE, OIL	1							
22	1	105010-39140	BOLT, PIPE JOINT	2							
23	1	22190-080002	WASHER, SEAL 8	4							
24	1	124070-13300	ELBOW, PT3/8	1							
25	1	129974-39650	PIPE ASSY, LO RETURN	1							
26	2	129974-39610	PIPE, OIL	1							
27	2	123910-39850	RETAINER	1							
28	1	129908-39690	GASKET	1							
29	1	123901-39820	HOSE, LO RETURN	1							
30	1	23000-025000	CLAMP, 25	2							
31	1	26106-060162	BOLT, M6X 16 PLATED	2							
32	1	129908-39410	VALVE ASSY, CHECK	4							
38	1	119000-39650	NOZZLE, COOLING	4							
39	1	22351-030010	PIN, SPRING 3.0X10	4							

N:Old  $\frac{100}{100}$  New, Q:Old  $\frac{100}{100}$  New, R:Old  $\frac{100}{100}$  New, S:Old  $\frac{100}{100}$  New, W:Add, Z:Discontinued, F:Interchangeable by set, K:Qty Change  
 Copyright (C) 2016 YANMAR GLOBAL CS CO., LTD. All Rights Reserved.

Fig.12. COOLING WATER SYSTEM



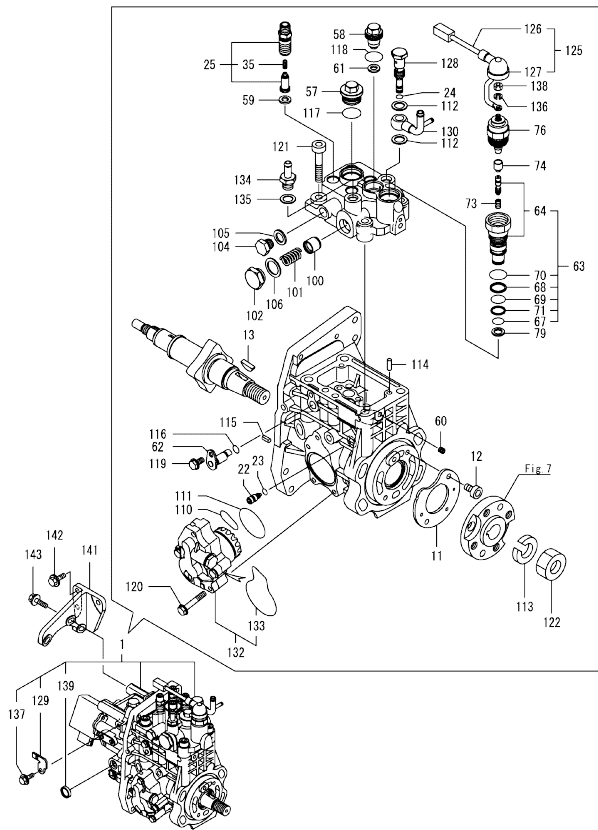
No.	Lev.	Parts No.	Description	Q'ty						I	R
				(A)	(B)	(C)	(D)	(E)	(F)		
1	1	129949-42011	PUMP ASSY, WATER	1							
2	2	129973-42030	PUMP ASSY, CW HIGH	1							
14	2	129963-49300	JOINT, D14	1							
15	2	129928-49420	JOINT	1							
16	2	129916-49740	PLUG, R3/8	2							
17	1	129900-42061	GASKET, WATER PUMP	1							
18	1	129900-42070	PIPE, WATER	1							
19	1	129900-42140	O-RING, P36	2							
20	1	23414-080000	GASKET, 8X1.0	1							
21	1	26106-080122	BOLT, M8X 12 PLATED	1							
22	1	26106-080552	BOLT, M8X 55 PLATED	3							
23	1	129930-42450	V-PULLEY, C.W.PUMP	1							
24	1	129972-42280	V-BELT, A47.0	1							
25	1	129920-44740	FAN, COOLING	1							
26	1	129935-44710	SPACER, FAN	1							
27	1	26106-080402	BOLT, M8X 40 PLATED	4							
28	1	129981-49531	COVER, THERMOSTAT	1							
29	1	121850-49550	GASKET, THERMOSTAT	1							
30	1	129900-49560	GASKET	1							
31	1	121850-49811	THERMOSTAT, 71C	1							
32	1	26106-080252	BOLT, M8X 25 PLATED	2							
33	1	121550-49111	JOINT, PT1/4	1							
34	1	121450-42450	PLUG, M16	1							
35	1	129927-44900	SENSOR, WATER TEMP.	1							
36	1	124465-44950	GASKET, 16	1							
37	1	124250-49351	SENSOR, WATER TEMP.	1							
38	1	129150-49360	GASKET	1							
39	1	22190-120002	WASHER, SEAL 12	1							
40	1	129938-49650	PIPE ASSY, WATER	1							
43	2	23080-012000	CLAMP, 12	2							
44	1	129938-49660	PIPE ASSY, WATER	1							
47	2	23080-012000	CLAMP, 12	2							
48	1	129928-49420	JOINT	1							
49	1	129948-49610	HOSE ASSY, WATER	1							
50	2	129960-03990	CLAMP, HOSE 19.8	2							
53	1	129948-49620	HOSE ASSY, WATER	1							
54	2	129960-03990	CLAMP, HOSE 19.8	2							
57	1	129928-79700	CLAMP, 150-M8	1							
58	1	26106-080122	BOLT, M8X 12 PLATED	1							



Fig.13. FUEL INJECTION PUMP

(A)=4TNV98T-ZCNISC  
(B)=  
(C)=

(D)=  
(E)=  
(F)=



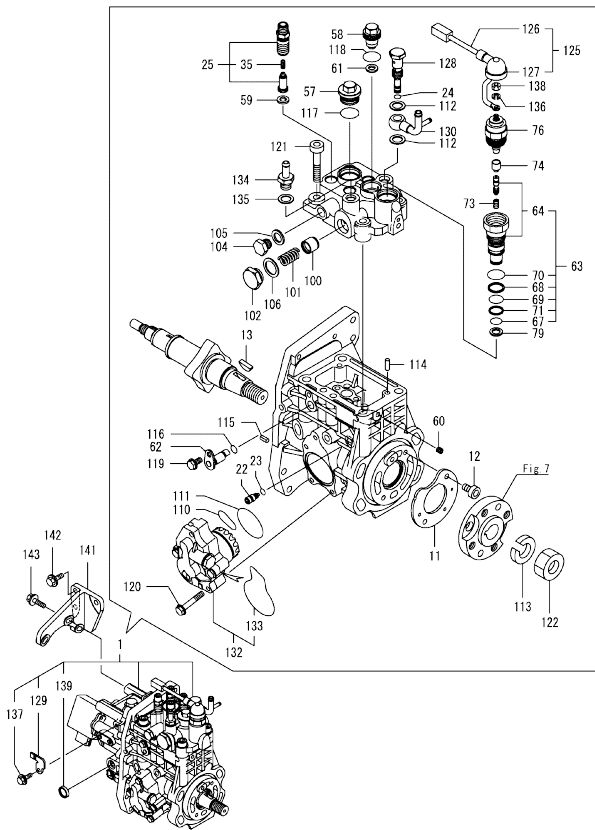
No.	Lev.	Parts No.	Description	Q'ty						I	R	
				(A)	(B)	(C)	(D)	(E)	(F)			
1	1	729974-51370	INJECTON PUMP ASSY	1							1	
11	2	129928-51900	COVER	1								
12	2	129008-51920	BOLT, SOCKET M6X10	2								
13	2	144626-51090	FEATHER KEY, 5X19	1								
22	2	158600-51270	STOPPER, TAPPET	1								
23	2	158563-51281	O-RING, 4D S6	1								
24	2	158563-51281	O-RING, 4D S6	1								
25	2	129928-51390	VALVE ASSY, DELIVERY	4								
35	3	158563-51330	SPRING, DELIVERY	4								
57	2	158601-51550	PLUG, M22	1								
58	2	129907-51560	PLUG, M16	1								
59	2	158552-51571	GASKET, PLUG	4								
60	2	158557-51570	PLUG, RACK	1								
61	2	129906-51580	GASKET, PLUG	1								
62	2	158552-51580	LIFTER, LINK	1								
63	2	129657-51590	TIMER ASSY	1								
64	3	129657-51600	TIMER ASSY	1								
67	3	158553-51670	O-RING	1								
68	3	119802-51680	RING, BACKUP	1								
69	3	119802-51690	O-RING	1								
70	3	24356-190200	O-RING, 4D19020	1								
71	3	24372-000150	RING, BACK UP T2P15	1								
73	2	119852-51630	SPRING, TIMER	1								
74	2	119852-51640	CAP, TIMER	1								
76	2	119852-51650	VALVE ASSY, SOLENOID	1								
79	2	158553-51680	GASKET, TIMER	1								
100	2	158601-51770	PISTON, ACCUMULATOR	1								
101	2	158552-51781	SPRING, ACCUMULATOR	1								
102	2	158601-51790	PLUG	1								
104	2	158553-51930	PLUG, M12	1								
105	2	22190-120002	WASHER, SEAL 12	1								
106	2	22190-180002	WASHER, SEAL 18	1								
110	2	158552-52311	O-RING	1								
111	2	158552-52400	O-RING, 4E S42	1								
112	2	22190-120002	WASHER, SEAL 12	2								
113	2	22217-180000	WASHER, SPRING 18	1								
114	2	22312-050140	PIN, PARALLEL 5X14	2								
115	2	22351-050010	PIN, SPRING 5.0X10	2								
116	2	24311-000070	O-RING, 1AP7.0	1								
117	2	24356-190200	O-RING, 4D19020	1								
118	2	24356-240210	O-RING, 4D24021	1								
119	2	26106-060102	BOLT, M6X 10 PLATED	1								
120	2	26106-060352	BOLT, M6X 35 PLATED	4								
121	2	26450-100452	BOLT, M10X 45	4								
122	2	26776-180002	NUT, LOCK M18	1								
125	2	129927-51650	HARNES ASSY, WIRE	1								
126	3	129927-51660	HARNES	1								
127	3	129263-77941	CAP, RUBBER	1								
128	2	158601-51650	JOINT, OVER FLOW	1								
129	2	129927-51670	BRACKET	1								
130	2	158552-51670	JOINT, OVER FLOW	1								

Remarks  
(1)Governor(Fig.14) is incorporated in this Fuel Injection Pump(No.1).  
(1)Eco pump  
Make sure to update the engines ECU information when replacing the Eco pump.  
Failing to do so will result in engine malfunction.

Fig.13. FUEL INJECTION PUMP

(A)=4TNV98T-ZCNISC  
(B)=  
(C)=

(D)=  
(E)=  
(F)=

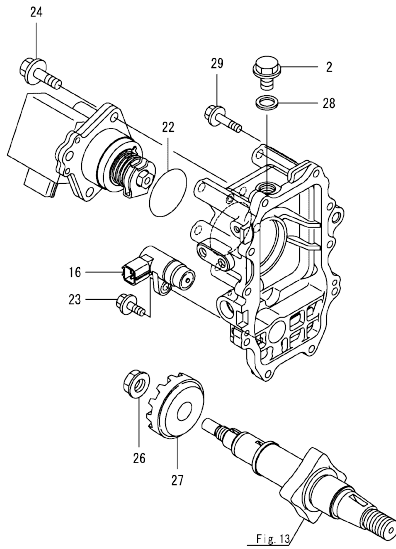


No.	Lev.	Parts No.	Description	Q'ty					
				(A)	(B)	(C)	(D)	(E)	(F)
132	2	158552-52100	PUMP ASSY, FUEL FEED	1					
133	3	158552-52500	O-RING	1					
134	2	119934-59910	JOINT, PIPE	1					
135	2	22190-120002	WASHER, SEAL 12	1					
136	2	22217-050000	WASHER, SPRING 5	1					
137	2	26106-060122	BOLT, M6X 12 PLATED	1					
138	2	26716-050002	NUT, M5	1					
139	2	27241-160000	PLUG, 16	1					
141	1	129927-51250	RETAINER, PUMP	1					
142	1	26106-080202	BOLT, M8X 20 PLATED	3					
143	1	26106-080302	BOLT, M8X 30 PLATED	3					

Remarks

(1)Governor(Fig.14) is incorporated in this Fuel Injection Pump(No.1).  
(1)Eco pump  
Make sure to update the engines ECU information when replacing the Eco pump.  
Failing to do so will result in engine malfunction.

Fig.14. GOVERNOR



(A)=4TNV98T-ZCNISC  
(B)=  
(C)=

(D)=  
(E)=  
(F)=

No.	Lev.	Parts No.	Description	Q'ty						I	R
				(A)	(B)	(C)	(D)	(E)	(F)		
2	2	158553-51930	PLUG, M12	1							
16	2	158557-61720	SENSOR	1							
22	2	24341-000480	O-RING, 1AS48.0	1							
23	2	26106-060162	BOLT, M6X 16 PLATED	1							
24	2	26106-080252	BOLT, M8X 25 PLATED	3							
26	2	129008-61301	NUT	1							
27	2	158553-61780	GEAR, SENSOR	1							
28	2	22190-120002	WASHER, SEAL 12	1							
29	2	26106-060252	BOLT, M6X 25 PLATED	10							

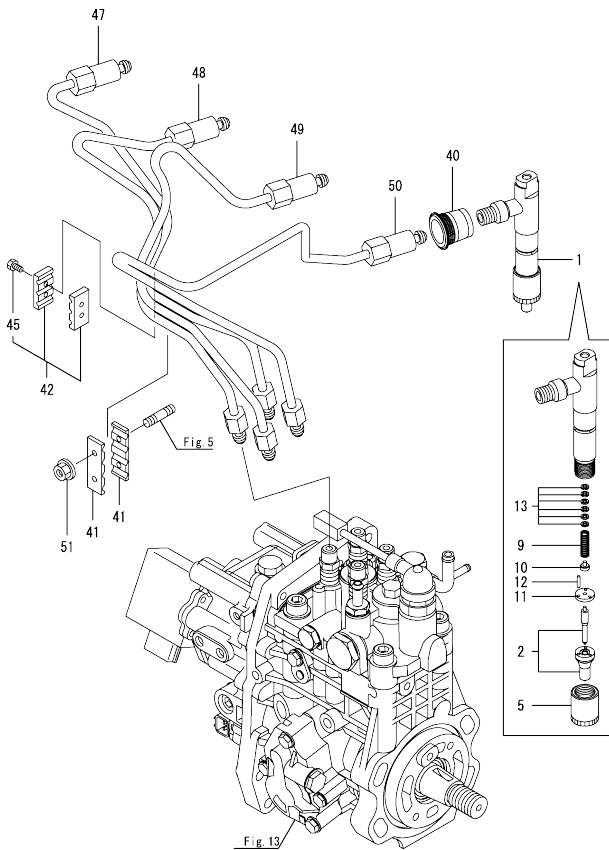
Remarks

\* This figure(Governor) is incorporated in the Fuel Injection Pump(Fig.13).

Fig.15. FUEL INJECTION VALVE

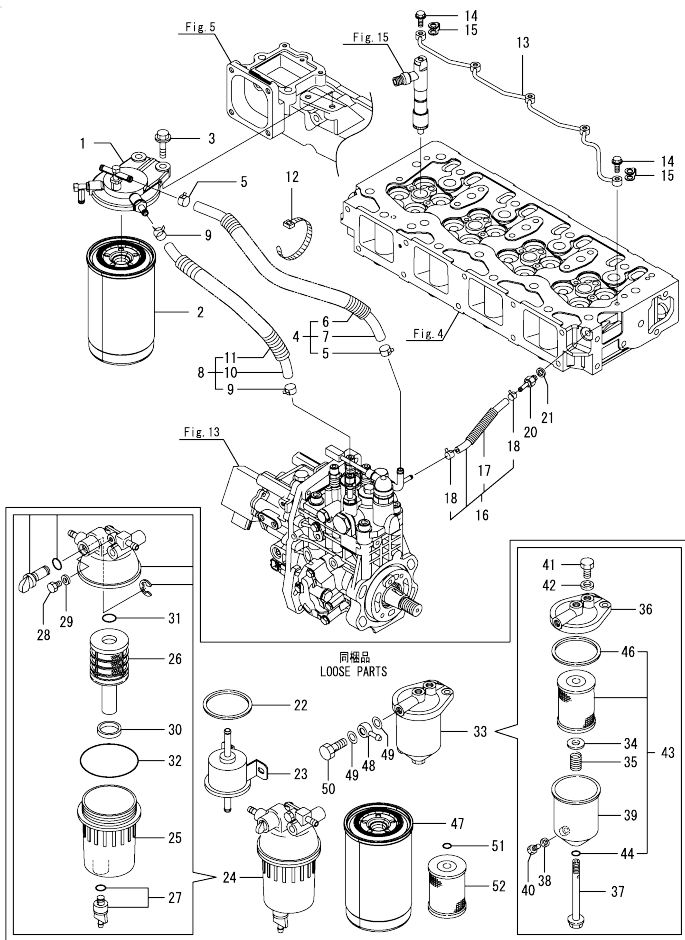
(A)=4TNV98T-ZCNISC  
(B)=  
(C)=

(D)=  
(E)=  
(F)=



No.	Lev.	Parts No.	Description	Q'ty					
				(A)	(B)	(C)	(D)	(E)	(F)
1	1	729928-53100	FUEL INJECTOR ASSY	4					
2	2	129928-53000	NOZZLE ASSY, F.I.	4					
5	2	114250-53080	NUT, NOZZLE	4					
9	2	114250-53120	SPRING, NOZZLE	4					
10	2	114250-53130	SEAT, SPRING	4					
11	2	114250-53140	SPACER	4					
12	2	114250-53210	PIN	8					
13	2	119803-53400	SHIM SET	4					
40	1	123907-11601	SEAL, PIPE	4					
41	1	123472-59120	RETAINER, PIPE	2					
42	1	129150-59120	RETAINER, PIPE	1					
45	2	129150-59131	BOLT, M4X14	2					
47	1	129927-59810	PIPE ASSY, INJECTION	1					
48	1	129927-59820	PIPE ASSY, INJECTION	1					
49	1	129927-59830	PIPE ASSY, INJECTION	1					
50	1	129927-59840	PIPE ASSY, INJECTION	1					
51	1	26366-060002	NUT, M6	2					

Fig.16. FUEL PIPE



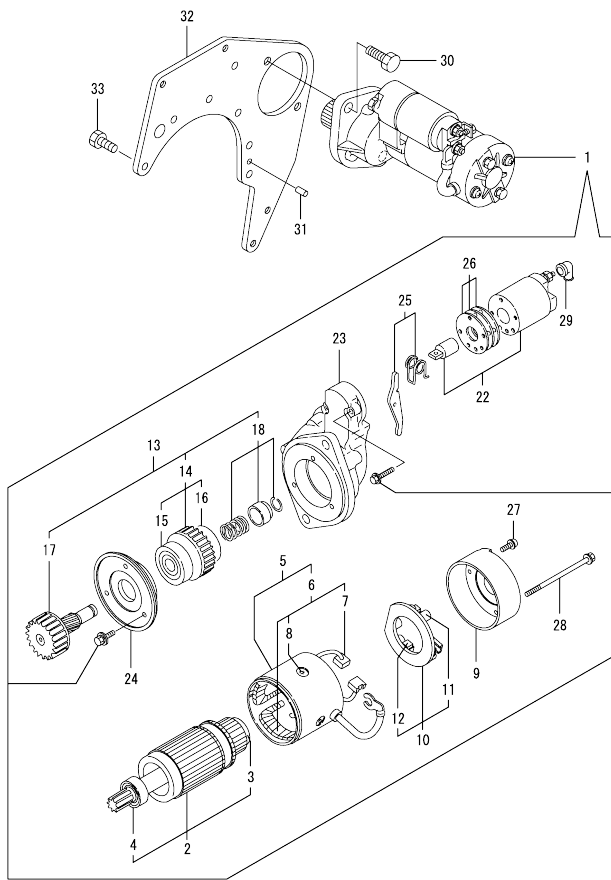
(A)=4TNV98T-ZCNISC  
(B)=  
(C)=

(D)=  
(E)=  
(F)=

No.	Lev.	Parts No.	Description	Q'ty						I	R
				(A)	(B)	(C)	(D)	(E)	(F)		
1	1	129004-55612	BRACKET, FILTER	1							
2	1	129907-55801	FILTER, FUEL	1							
3	1	26106-080302	BOLT, M8X 30 PLATED	2							
4	1	129457-59010	HOSE ASSY, FUEL	1							
5	2	124766-59050	CLAMP, HOSE 11.5	2							
6	2	129957-59120	TUBE, CORRUGATED 15	1							
7	2	105025-59750	HOSE, FUEL	1							
8	1	129961-59310	HOSE ASSY, FUEL	1							
9	2	124766-59050	CLAMP, HOSE 11.5	2							
10	2	129136-59110	HOSE, D13/7.5X270	1							
11	2	129961-59110	TUBE, CORRUGATED 15	1							
12	1	121750-59890	BAND, NYLON	1							
13	1	129907-59140	PIPE ASSY, RETURN	1							
14	1	123907-59540	BOLT, PIPE JOINT M6	5							
15	1	123907-59550	GASKET	5							
16	1	129927-59550	HOSE ASSY RETURN	1							
17	2	129263-49750	TUBE, CORRUGATED	1							
18	2	124722-59050	CLAMP, HOSE 9	2							
20	1	123907-59560	JOINT, HOSE	1							
21	1	22190-080002	WASHER, SEAL 8	1							
22	1	123325-35140	GASKET	1							
23	1	119225-52102	PUMP, FUEL FEED	1							
24	1	129242-55701	SEPARATOR ASSY, WATER	1							
25	2	129242-55720	CUP, SEPARATOR	1							
26	2	129242-55730	ELEMENT, FUEL	1							
27	2	129242-55740	PLUG, DRAIN	1							
28	2	129242-55750	VALVE, AIR VENT	1							
29	2	129242-55760	GASKET, PLUG	1							
30	2	129242-55770	FLOAT	1							
31	2	24311-000160	O-RING, 1AP16.0	1							
32	2	24321-000750	O-RING, 1AG75.0	1							
33	1	129065-55750	SEPARATOR ASSY, WATER	1							
34	2	123325-35160	WASHER	1							
35	2	129065-55170	SPRING, FILTER	1							
36	2	129495-55610	BODY, STRAINER	1							
37	2	129495-55620	BOLT	1							
38	2	123672-55760	GASKET	1							
39	2	129065-55760	CASE, SEPARATOR	1							
40	2	129065-55770	PLUG, DRAIN M8	1							
41	2	129065-55800	PLUG, M14	1							
42	2	123678-55890	GASKET, PLUG	1							
43	2	41650-502320	ELEMENT ASSY(D72XL90	1							
44	3	24311-000120	O-RING, 1AP12.0	1							
46	3	123325-35140	GASKET	1							
47	1	129907-55801	FILTER, FUEL	1							
48	1	121750-59910	JOINT, BALL	2							
49	1	22190-140002	WASHER, SEAL 14	4							
50	1	23857-080000	BOLT, JOINT 8	2							
51	1	24311-000120	O-RING, 1AP12.0	1							
52	1	41650-550800	ELEMENT, FUEL	1							

N:Old  $\frac{New}{Old}$  New, Q:Old  $\frac{New}{Old}$  New, R:Old  $\frac{New}{Old}$  New, S:Old  $\frac{New}{Old}$  New, W:Add, Z:Discontinued, F:Interchangeable by set, K:Q'ty Change  
Copyright (C) 2016 YANMAR GLOBAL CS CO., LTD. All Rights Reserved.

Fig.17. STARTER MOTOR

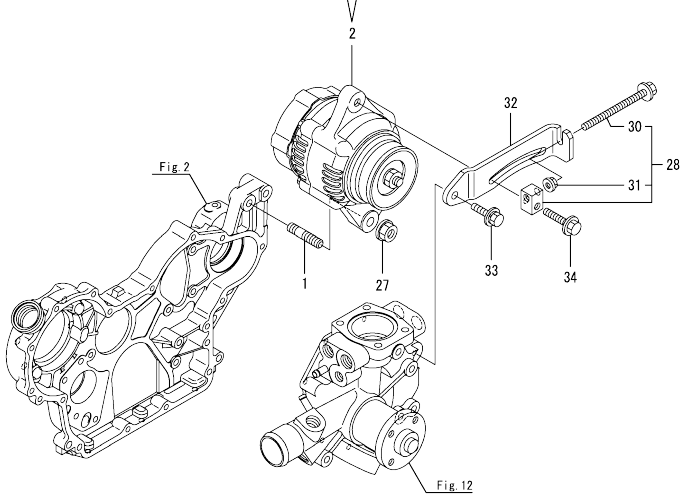
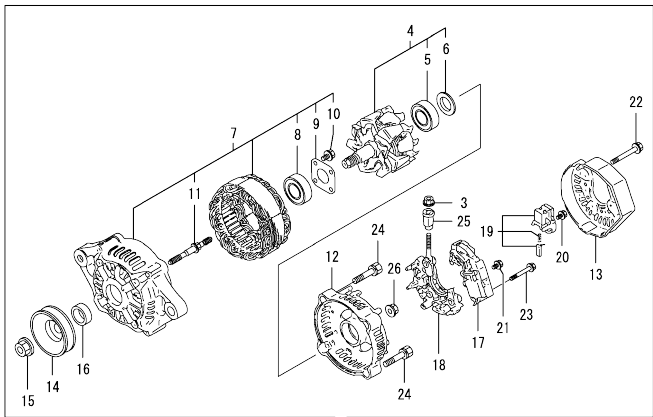


(A)=4TNV98T-ZCNISC  
(B)=  
(C)=

(D)=  
(E)=  
(F)=

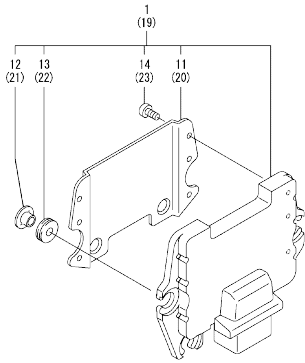
No.	Lev.	Parts No.	Description	Q'ty						I	R
				(A)	(B)	(C)	(D)	(E)	(F)		
1	1	129900-77040	STARTER ASSY	1							
2	2	129900-77120	ARMATURE ASSY	1							
3	3	171008-77410	BEARING, BALL	1							
4	3	171008-77420	BEARING, BALL	1							
5	2	129900-77130	YOKE ASSY	1							
6	3	129900-77140	COIL ASSY, FIELD	1							
7	4	129900-77450	BRUSH	2							
8	4	171008-77450	SCREW, CORE SET	4							
9	2	129900-77150	COVER	1							
10	2	129900-77160	HOLDER ASSY, BRUSH	1							
11	3	X2130631300	SPRING, BRUSH	4							
12	3	129900-77450	BRUSH	2							
13	2	129900-77170	CLUTCH ASSY	1							
14	3	129900-77180	CLUTCH ASSY	1							
15	4	129900-77190	BEARING, BALL	1							
16	4	X2114955020	BEARING, BALL	1							
17	3	129900-77270	SHAFT, PINION	1							
18	3	171008-77670	STOPPER SET, PINION	1							
22	2	129900-77280	SWITCH ASSY, MAGNET	1							
23	2	129900-77290	CASE, GEAR	1							
24	2	129900-77380	RETAINER, BEARING	1							
25	2	129900-77390	LEVER ASSY, SHIFT	1							
26	2	129900-77420	COVER KIT, DUST	1							
27	2	129900-77430	SCREW, M4X10	2							
28	2	129685-77640	BOLT, THROUGH	2							
29	2	171008-77750	COVER, TERMINAL	1							
30	1	26116-120202	BOLT, M12X 20 PLATED	2							
31	1	129100-01580	PIN, PARALLEL 8X16	1							
32	1	129966-77400	BRACKET, STARTER	1							
33	1	26206-100202	BOLT, M10X 20 PLATED	7							

Fig.18. GENERATOR



No.	Lev.	Parts No.	Description	Q'ty						I	R
				(A)	(B)	(C)	(D)	(E)	(F)		
1	1	129795-01900	BOLT, STUD M10X33	1							
2	1	129052-77220	GENERATOR ASSY, 55A	1							
3	2	X9490561001	NUT	1							
4	2	129052-77380	ROTOR ASSY	1							
5	3	123501-79240	BEARING, BALL	1							
6	3	119620-79250	COVER, BEARING	1							
7	2	129052-77422	FRAME ASSY	1							
8	3	119620-79200	BEARING, BALL	1							
9	3	119620-79210	RETAINER	1							
10	3	119620-79220	SCREW	4							
11	3	119620-79230	BOLT, STUD	2							
12	2	128401-77440	COVER	1							
13	2	128401-77450	COVER, GENERATOR	1							
14	2	119620-77461	PULLEY, GENERATOR	1							
15	2	119620-77471	NUT	1							
16	2	119620-77490	COLLAR	1							
17	2	119620-77710	REGULATOR ASSY	1							
18	2	129052-79260	HOLDER	1							
19	2	129052-79270	HOLDER, BRUSH	1							
20	2	119620-79290	SCREW	6							
21	2	119620-79300	SCREW	1							
22	2	119620-79310	BOLT	3							
23	2	119620-79320	SCREW	2							
24	2	119620-79330	BOLT	2							
25	2	119620-79340	BUSH, INSULATION	1							
26	2	119620-79350	NUT	2							
27	1	26306-100002	NUT, M10	1							
28	1	119624-77351	BLOCK ASSY, ADJUSTER	1							
30	2	26106-081004	BOLT, M8X100 PLATED	1							
31	2	26306-080002	NUT, M8	1							
32	1	129972-77360	ADJUSTER, BELT	1							
33	1	26014-080252	BOLT, M8X 25	1							
34	1	26106-080452	BOLT, M8X 45 PLATED	1							

Fig.19. ELECTRONIC CONTROL UNIT(ECU)



No.	Lev.	Parts No.	Description	Q'ty						I	R
				(A)	(B)	(C)	(D)	(E)	(F)		
1	1	129974-75080	ECU ASSY,498T-ZCNISC	1							1
11	2	129927-77600	SHIELD, ECU	1							
12	2	129927-77680	COLLAR, CONTROL	3							
13	2	119578-91351	ABSORBER	3							
14	2	22877-500080	SCREW, 5X 8	6							
19	1	129927-75900	ECU ASSY, SERVICE	1							2
20	2	129927-77600	SHIELD, ECU	1							
21	2	129927-77680	COLLAR, CONTROL	3							
22	2	119578-91351	ABSORBER	3							
23	2	22877-500080	SCREW, 5X 8	6							

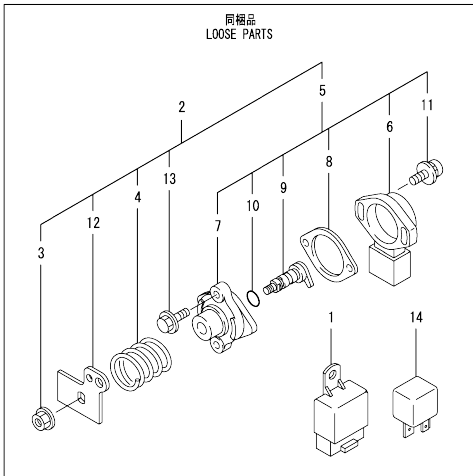
Remarks  
 (1)Eco ECU  
 This part cannot be ordered.  
 Replace the part using a Service ECU with the proper engine information installed.  
 (2)Service ECU  
 If the proper information is not installed, the engine will not operate.  
 To install proper information, go to an authorized distributor.



Fig.20. ELECTRIC PARTS

(A)=4TNV98T-ZCNISC  
(B)=  
(C)=

(D)=  
(E)=  
(F)=



No.	Lev.	Parts No.	Description	Q'ty					
				(A)	(B)	(C)	(D)	(E)	(F)
1	1	172B02-17150	RELAY,CA C TYPE	6					
2	1	129938-77800	SENSOR ASSY, ACCEL	1					
3	2	194990-22130	NUT, M6	1					
4	2	119060-61990	SPRING, RETURN	1					
5	2	129054-77800	SENSOR ASSY, ACCEL	1					
6	3	185100-50070	BODY	1					
7	3	129054-77811	SUPPORT, SENSOR	1					
8	3	129054-77820	GASKET	1					
9	3	129054-77830	SHAFT ASSY	1					
10	3	24311-000070	O-RING, 1AP7.0	1					
11	3	26023-040202	SCREW, M4X20	2					
12	2	129938-77810	LEVER, SENSOR	1					
13	2	26106-060122	BOLT, M6X 12 PLATED	2					
14	1	129927-77920	RELAY, ISO 70A	2					

## Parts No. Index

Parts No.	Fig. No.	Ref. No.	Parts No.	Fig. No.	Ref. No.	Parts No.	Fig. No.	Ref. No.	Parts No.	Fig. No.	Ref. No.
105010-39140	11	7	119803-53400	15	13	124240-01871	2	19	129242-55770	16	30
		22	119852-51630	13	73	124250-49351	12	37	129263-49750	16	17
105025-59750	16	7	119852-51640	13	74	124465-44950	12	36	129263-77941	13	127
114250-53080	15	5	119852-51650	13	76	124722-59050	16	18	129410-03990	4	69
114250-53120	15	9	119934-59910	13	134	124766-59050	16	5	129418-18320	6	3
114250-53130	15	10	120130-22301	9	23			9			4
114250-53140	15	11	121252-39150	11	8	124976-34850	1	30	129457-59010	16	4
114250-53210	15	12	121450-42450	12	34	128401-77440	18	12	129472-18090	8	2
119000-39650	11	38	121550-49111	12	33	128401-77450	18	13	129486-01670	3	12
119005-35151	10	22	121750-59890	10	10	129004-55612	16	1	129495-55610	16	36
		23		16	12	129005-59830	11	16	129495-55620	16	37
119005-77051	5	19	121750-59910	16	48	129006-44480	10	5	129509-79700	4	57
119060-61990	20	4	121850-21130	9	11	129008-51920	13	12	129657-51590	13	63
119100-11330	4	56	121850-21290	9	4	129008-61301	14	26	129657-51600	13	64
119129-77020	5	17	121850-21920	9	5	129052-77220	18	2	129685-77640	17	28
119129-77520	5	20	121850-49550	12	29	129052-77380	18	4	129795-01900	18	1
119131-18320	8	3	121850-49811	12	31	129052-77422	18	7	129900-01200	1	27
119225-52102	16	23	121850-77021	5	18	129052-79260	18	18	129900-01250	1	4
119540-39950	3	2	123325-35140	16	22	129052-79270	18	19	129900-01850	2	25
119540-39960	3	4			46	129054-77800	20	5	129900-01870	2	26
119578-91351	19	13	123325-35160	16	34	129054-77811	20	7	129900-02020	1	6
		22	123472-59120	15	41	129054-77820	20	8	129900-02341	1	34
119593-11301	4	29	123501-79240	18	5	129054-77830	20	9	129900-02410	1	9
119620-11180	4	14	123672-55760	16	38	129065-55170	16	35	129900-02931	1	24
119620-77461	18	14	123678-55890	16	42	129065-55750	16	33	129900-02941	1	37
119620-77471	18	15	123900-25060	7	9	129065-55760	16	39	129900-13251	6	5
119620-77490	18	16	123901-03240	4	74	129065-55770	16	40	129900-14100	7	6
119620-77710	18	17	123901-18080	6	24	129065-55800	16	41	129900-21200	9	3
119620-79200	18	8	123901-39820	11	29	129100-01580	2	1	129900-21600	9	14
119620-79210	18	9	123907-11280	4	34		3	8	129900-23001	9	25
119620-79220	18	10	123907-11550	4	1		17	31	129900-23200	9	28
119620-79230	18	11	123907-11601	15	40	129136-59110	16	10	129900-23601	9	29
119620-79250	18	6	123907-11820	4	21	129150-02450	7	4	129900-23611	9	32
119620-79290	18	20	123907-11830	4	20	129150-11230	4	37	129900-23911	9	31
119620-79300	18	21	123907-39500	11	14			41	129900-25100	7	10
119620-79310	18	22	123907-59540	16	14	129150-11750	4	19	129900-26210	7	17
119620-79320	18	23	123907-59550	16	15			38	129900-26250	2	30
119620-79330	18	24	123907-59560	16	20			42	129900-32030	2	6
119620-79340	18	25	123910-39850	11	27	129150-14200	7	1		10	15
119620-79350	18	26	123910-49600	10	7	129150-25920	7	18	129900-32040	2	7
119624-77351	18	28	123910-49610	10	9	129150-49360	12	38	129900-35000	10	16
119625-11880	4	25	123912-33050	10	2	129150-59120	15	42	129900-42061	12	17
119656-39931	3	3	123912-33100	10	3	129150-59131	15	45	129900-42070	12	18
119761-39450	11	1	123951-18220	5	13	129198-59540	11	7	129900-42140	12	19
119773-91501	10	25	124070-13300	11	24	129242-55701	16	24	129900-49560	12	30
119802-11870	4	24	124160-01751	2	13	129242-55720	16	25	129900-77040	17	1
119802-13791	6	10			4	129242-55730	16	26	129900-77120	17	2
119802-51680	13	68	124160-11340	4	16	129242-55740	16	27	129900-77130	17	5
119802-51690	13	69	124160-11360	4	60	129242-55750	16	28	129900-77140	17	6
119803-11340	4	15	124223-39900	11	4	129242-55760	16	29	129900-77150	17	9

## Parts No. Index

Parts No.	Fig. No.	Ref. No.	Parts No.	Fig. No.	Ref. No.	Parts No.	Fig. No.	Ref. No.	Parts No.	Fig. No.	Ref. No.
129900-77160	17	10	129916-21610	9	7	129938-77800	20	2	158552-51781	13	101
129900-77170	17	13	129916-49740	12	16	129938-77810	20	12	158552-52100	13	132
129900-77180	17	14	129920-44740	12	25	129948-03080	4	67	158552-52311	13	110
129900-77190	17	15	129927-13810	6	12	129948-07900	4	64	158552-52400	13	111
129900-77270	17	17	129927-13910	6	20	129948-11300	4	50	158552-52500	13	133
129900-77280	17	22	129927-13920	6	21	129948-13800	6	11	158553-51670	13	67
129900-77290	17	23	129927-22050	9	17	129948-13810	6	13	158553-51680	13	79
129900-77380	17	24	129927-39060	11	12	129948-49610	12	49	158553-51930	13	104
129900-77390	17	25	129927-44900	12	35	129948-49620	12	53		14	2
129900-77420	17	26	129927-51250	13	141	129949-18210	5	12	158553-61780	14	27
129900-77430	17	27	129927-51650	13	125	129949-42011	12	1	158557-51570	13	60
129900-77450	17	7	129927-51660	13	126	129951-01740	2	15	158557-61720	14	16
		12	129927-51670	13	129	129953-25300	7	14	158563-51150	7	19
129906-51580	13	61	129927-59550	16	16	129953-34800	10	13	158563-51281	13	23
129907-01331	1	28	129927-59810	15	47	129957-59120	16	6			24
129907-03011	4	51	129927-59820	15	48	129960-03990	12	50	158563-51330	13	35
129907-03061	4	52	129927-59830	15	49			54	158600-51270	13	22
129907-03070	4	53	129927-59840	15	50	129960-21590	9	12	158601-51550	13	57
129907-07900	4	63	129927-75900	19	19	129960-21930	9	9	158601-51650	13	128
129907-11110	4	12	129927-77600	19	11	129960-21940	9	10	158601-51770	13	100
129907-11120	4	13			20	129961-59110	16	11	158601-51790	13	102
129907-11250	4	31	129927-77680	19	12	129961-59310	16	8	171008-77410	17	3
129907-11260	4	32			21	129963-49300	12	14	171008-77420	17	4
129907-11270	4	33	129927-77920	20	14	129966-01650	3	9	171008-77450	17	8
129907-11341	4	30	129928-03300	4	76	129966-77400	17	32	171008-77670	17	18
129907-11510	4	17	129928-11710	4	2	129968-21650	9	8	171008-77750	17	29
129907-11650	4	35	129928-12100	5	3	129972-03220	4	72	171051-01921	1	5
129907-11660	4	39	129928-12150	5	2	129972-03230	4	73	171375-39601	10	24
129907-11800	4	83	129928-13400	6	7	129972-03240	4	71	172B02-17150	20	1
129907-11910	4	26	129928-13410	6	8	129972-42280	12	24	185100-50070	20	6
129907-11920	4	43			9	129972-77360	18	32	194990-22130	20	3
129907-11950	4	27	129928-13700	5	4	129973-42030	12	2	22190-080002	11	9
129907-12110	5	1	129928-13710	5	5	129974-01860	3	1			17
129907-14400	7	2	129928-13720	5	6	129974-13120	6	2			19
129907-25900	7	15	129928-13900	6	19	129974-13170	6	1			23
129907-51560	13	58	129928-22080	9	15	129974-18220	5	14		16	21
129907-55801	16	2	129928-49420	12	15	129974-39080	11	2	22190-120002	12	39
		47			48	129974-39610	11	26		13	105
129907-59140	16	13	129928-51390	13	25	129974-39650	11	25			112
129908-01520	2	3	129928-51900	13	11	129974-75080	19	1			135
129908-14581	7	3	129928-53000	15	2	129978-21030	9	1		14	28
129908-18010	8	1	129928-59130	4	78	129981-49531	12	28	22190-140002	16	49
129908-32060	2	4	129928-79700	12	57	129985-11100	4	11	22190-180002	13	106
129908-33010	10	1	129930-39050	11	21	129C26-01890	2	20	22217-050000	13	136
129908-33101	10	4	129930-42450	12	23			31	22217-180000	13	113
129908-39410	11	32	129932-14580	7	3 -1	129E00-13640	6	6	22252-000300	9	24
129908-39690	11	28	129933-11310	4	55	144626-51090	13	13	22312-050140	13	114
129908-49060	10	6	129935-44710	12	26	158552-51571	13	59	22351-030010	11	39
129916-01790	3	11	129938-49650	12	40	158552-51580	13	62	22351-050010	13	115
129916-01800	2	24	129938-49660	12	44	158552-51670	13	130	22351-060012	1	10

## Parts No. Index

Parts No.	Fig. No.	Ref. No.
22512-070140	7	7
	9	6
22857-500100	4	58
22877-500080	19	14
		23
23000-022000	4	79
23000-025000	10	11
	11	30
23000-054000	5	15
23000-070000	5	16
23001-022000	3	5
		6
23065-160250	4	80
23080-012000	12	43
		47
23414-080000	12	20
23414-100000	11	10
23857-030000	11	18
23857-080000	16	50
23876-020000	4	8
23876-030000	1	11
		12
		13
		29
	4	9
24311-000070	13	116
	20	10
24311-000120	4	28
		61
	16	44
		51
24311-000160	16	31
24311-000320	2	14
	4	62
24321-000600	10	12
24321-000750	16	32
24341-000480	14	22
24351-030750	2	8
24356-190200	13	70
		117
24356-240210	13	118
24372-000150	13	71
26014-080252	18	33
26023-040202	20	11
26106-060102	13	119
26106-060122	4	59
	13	137
	20	13
26106-060162	11	31
	14	23

Parts No.	Fig. No.	Ref. No.
26106-060202	5	7
		8
26106-060252	14	29
26106-060352	13	120
26106-080122	3	7
	10	21
	11	11
		20
	12	21
		58
26106-080142	4	82
	7	8
26106-080162	2	9
		21
		27
	4	65
26106-080202	2	10
		16
	4	66
	13	142
26106-080252	12	32
	14	24
26106-080302	13	143
	16	3
26106-080352	6	14
26106-080402	2	28
	4	45
	5	21
	12	27
26106-080452	2	11
		17
	5	10
	6	15
	18	34
26106-080552	6	16
	7	13
	12	22
26106-080602	4	46
		47
26106-080702	2	29
26106-080752	2	18
26106-080802	5	11
26106-080902	5	22
26106-081004	18	30
26106-100252	6	17
26106-100402	6	22
26106-101052	6	23
26116-050102	4	75
26116-120202	17	30
26206-100202	17	33

Parts No.	Fig. No.	Ref. No.
26216-060202	5	9
26216-100302	2	5
26226-080222	4	44
26306-080002	4	48
	6	18
	8	4
	18	31
26306-100002	2	12
	18	27
26366-060002	15	51
26450-100452	13	121
26716-050002	13	138
26776-180002	13	122
27241-160000	13	139
27241-300000	1	14
27241-400000	4	10
27310-070001	4	22
41650-502320	16	43
41650-550800	16	52
729900-02801	1	31
729907-01559	2	22
729927-22950	9	36
729928-01560	1	1
729928-22900	9	34
729928-53100	15	1
729974-51370	13	1
X2114955020	17	16
X2130631300	17	11
X9490561001	18	3

Parts No.	Fig. No.	Ref. No.
-----------	----------	----------