

0CW10-M28500EN

PREFACE

1. This parts catalog is the 1st edition of 4TNV98T-ZNIR for Ingersoll Rand Co.,Ltd.

Pub.No. : 000Y00W2850

Published :December, 2007

2. Model name

Engine model	Vehicle	Vehicle made by
4TNV98T-ZNIR	Compressor	Ingersoll Rand Co.,Ltd.

Directions for the Parts Catalog.

1. The parts stipulated in this Parts Catalog are not necessarily standard equipped parts.
2. Parts may change without prior notice.
3. The following is an example of the Parts Catalog format.

REF.	LEV.	PARTS NO.	DESCRIPTION	Q'TY						I	R
				(A)	(B)	(C)	(D)	(E)	(F)		
1	1	729595-51390	FUEL INJECTION PUMP	1	1	1	1	1			1
1-1	1	729595-51391	FUEL INJECTION PUMP	1	1	1	1	1		N	1
		(A=E00185) (B=E00200)									
3	2	26022-060162	SCREW M 6X 16	9	9	9	9	9			
3-1	2	26022-060162	SCREW M 6X 16	4	4	4	4	4		K	
		(A=E00156) (B=E00156) (C=E00156) (D=E00156) (E=E00156)									
4	2	129470-51040	CAMSHAFT	1	1	1	1	1			
5	2	122710-51050	BEARING, ROLLER	2	2	2	2	2			
6	2	129470-51060	RETAINER	1	1	1	1	1			

Remarks
(1) BOOST COMPEMSATOR TYPE. OPTIONAL PART, TO E00155,(4JH-DT, 4JH-DTZ

① Ref. No.

The Ref. No. listed may not be in accordance with the illustration Ref. No.

(Ex.) Illustration No.

List Ref No.

1 1 (Before change) → 1-1 (After change)

For interchangeable symbols N, R and K, illustrations for new parts may be abbreviated.

② Lev. (Level)

Level indication

The numbers below indicate the level of relativity towards the main part.

1 ---- Main parts (Assembly parts)

2 ---- Sub component included in " 1 ".

3 ---- Sub component included in " 2 ".

Note) Parts that are not for sale are partially illustrated but not listed.

③ Interchangeability Mark

When a part change takes place, one of the following interchangeability symbols is indicated beside the part.

Symbol	Interchangeability	Contents note
N	Old $\begin{matrix} \leftarrow \text{Yes} \\ \text{No} \rightarrow \end{matrix}$ New	New Part is interchangeable for Old Part but Old Part is not interchangeable for New Part.
Q	Old $\begin{matrix} \leftarrow \text{No} \\ \text{Yes} \rightarrow \end{matrix}$ New	New Part is not interchangeable for Old Part but Old Part is interchangeable for New Part.
R	Old $\begin{matrix} \leftarrow \text{Yes} \\ \text{Yes} \rightarrow \end{matrix}$ New	New/ Old Parts are both interchangeable.
S	Old $\begin{matrix} \leftarrow \text{No} \\ \text{No} \rightarrow \end{matrix}$ New	New/ Old Parts are both not interchangeable.
W		Part newly added.
Z		Part discontinued.
F		Not interchangeable by a single part but interchangeable together with related parts.
K		Changes only for used parts quantities.

④ Effective Machine No.

When a part changes, the effective Machine No. will be indicated in the (A)-(F) column.

Product Symbol	Product No.	Product Symbol	Product No.
C	Clutch No. Compressor No.	F	Machine No. (Agricultural Equip.)
D	Drive No.	M	Machine No.
E	Engine No.		

Note 1) A date may follow the symbol. (Ex.) 1996.01

Note 2) "XXXXX" and "ZZZZZ" are for parts that could not be predicted or for engine models that could not be identified.

Note 3) (A=E00185) is the E (Engine Serial Number) for the column (A) model (in this case 4JH-DT) after the parts design change.

⑤ Remarks Mark

Figures or alphabets (symbols) are entered in the remarks column.

The comments (remarks) on parts that are indicated at the bottom of the illustration are the same symbols as those stated above.

Contents

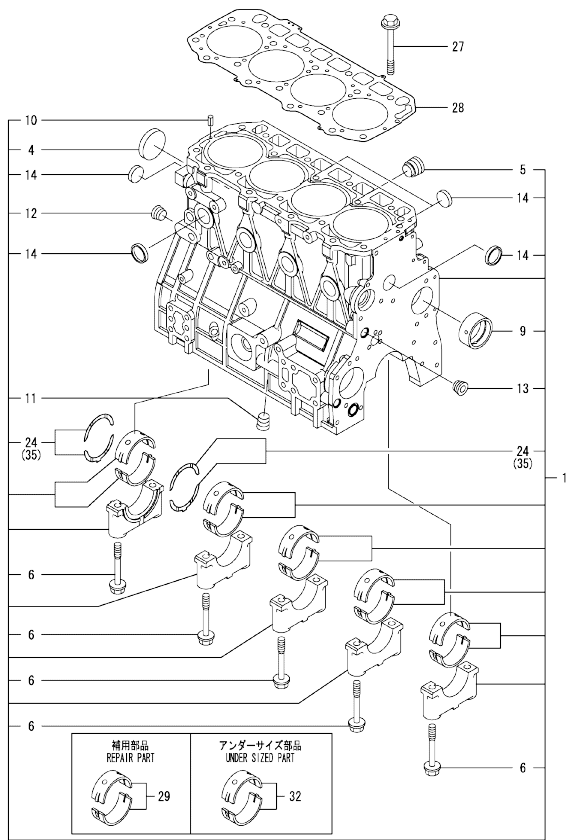
0CW10-M28500

Fig. No.	Fig. Name	Fig. No.	Fig. Name
4	TNV98T-ZNIR		
1.	CYLINDER BLOCK		
2.	GEAR HOUSING		
3.	FLYWHEEL HOUSING & OIL SUMP		
4.	CYLINDER HEAD & BONNET		
5.	SUCTION MANIFOLD		
6.	EXHAUST MANIFOLD		
7.	CAMSHAFT & DRIVING GEAR		
8.	TURBINE		
9.	CRANKSHAFT & PISTON		
10.	LUB.OIL SYSTEM		
11.	LUB.OIL LINE		
12.	COOLING WATER SYSTEM		
13.	FUEL INJECTION PUMP		
14.	GOVERNOR		
15.	FUEL INJECTION VALVE		
16.	FUEL LINE		
17.	STARTING MOTOR		
21.	(17A)STARTING MOTOR		
18.	GENERATOR		
19.	ELECTRONIC CONTROL UNIT (ECU)		
20.	GASKET SET		

Fig.1. CYLINDER BLOCK

(A)=4TNV98T-ZNIR
(B)=
(C)=

(D)=
(E)=
(F)=

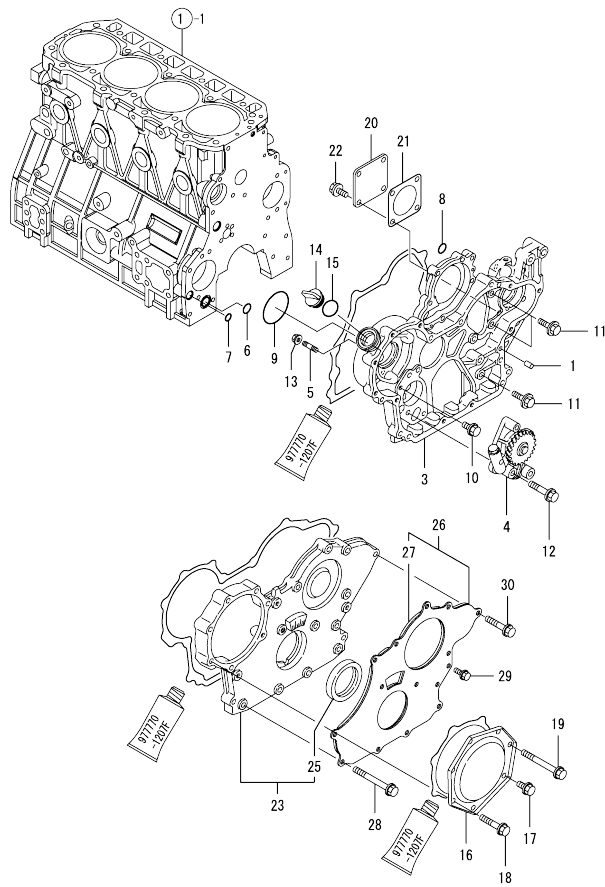


No.	Lev.	Parts No.	Description	Q'ty						I	R
				(A)	(B)	(C)	(D)	(E)	(F)		
1	1	729928-01560	BLOCK ASSY, CYLINDER	1							
4	2	129900-01250	PLUG, DISH TYPE 55	1							
5	2	171051-01921	PLUG, NPTF1	1							
6	2	129900-02020	BOLT, METAL CAP	10							
9	2	129900-02410	BUSH, CAMSHAFT	1							
10	2	22351-060012	PIN, SPRING 6.0X12	2							
11	2	23876-030000	PLUG, R03	1							
12	2	23876-030000	PLUG, R03	1							
13	2	23876-030000	PLUG, R03	1							
14	2	27241-300000	PLUG 30	8							
24	2	129900-02931	BEARING ASSY, THRUST	2							
27	1	129900-01200	BOLT, CYLINDER HEAD	18							
28	1	129907-01331	GASKET, HEAD	1							
29	1	729900-02801	BEARING, MAIN	5							1
32	1	129900-02341	BEARING ASSY, MAIN	5							2
35	1	129900-02941	BEARING, THRUST 0.25	2							3

Remarks

- (1) REPAIR PART.
- (2) UNDER-SIZED(U.S=0.25)PART.
- (3) OVER-SIZED(O.S=0.25)PART.

0CW10-M28500 4TNV98T-ZNIR
 Fig.2. GEAR HOUSING

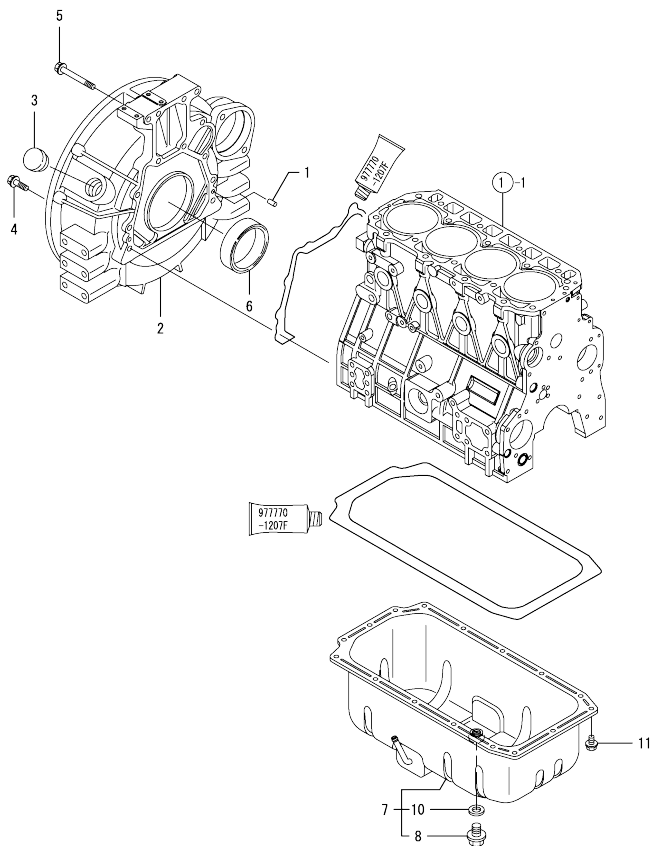


0CW10-M28500 Fig.2

No.	Lev.	Parts No.	Description	Qty						I	R
				(A)	(B)	(C)	(D)	(E)	(F)		
1	1	129100-01580	PIN, PARALLEL 8X16	4							
3	1	129908-01500	CASE, GEAR	1							
4	1	129908-32060	PUMP ASSY, OIL	1							
5	1	26216-100302	STUD, M10X 30	4							
6	1	129900-32030	O-RING, P20	1							
7	1	129900-32040	O-RING, P14	1							
8	1	24311-000070	O-RING, 1AP7.0	1							
9	1	24351-030750	O-RING, 1A3075	1							
10	1	26106-080162	BOLT, M8X 16 PLATED	1							
11	1	26106-080202	BOLT, M8X 20 PLATED	3							
12	1	26106-080452	BOLT, M8X 45 PLATED	3							
13	1	26306-100002	NUT, M10	4							
14	1	124160-01751	CAP, FILLER	1							
15	1	24311-000320	O-RING, 1AP32.0	1							
16	1	129900-01740	COVER	1							
17	1	26106-080162	BOLT, M8X 16 PLATED	1							
18	1	26106-080402	BOLT, M8X 40 PLATED	5							
19	1	129001-91810	BOLT, M8X70	1							
20	1	124240-01871	COVER, PUMP	1							
21	1	124240-01883	GASKET	1							
22	1	26106-080162	BOLT, M8X 16 PLATED	4							
23	1	729906-01550	COVER ASSY,GEAR CASE	1							
25	2	129916-01800	SEAL, OIL	1							
26	1	129900-01850	COVER ASSY,GEAR CASE	1							
27	2	129900-01870	SPONGE, GEAR CASE	1							
28	1	129001-91810	BOLT, M8X70	6							
29	1	26106-080162	BOLT, M8X 16 PLATED	3							
30	1	26106-080402	BOLT, M8X 40 PLATED	5							

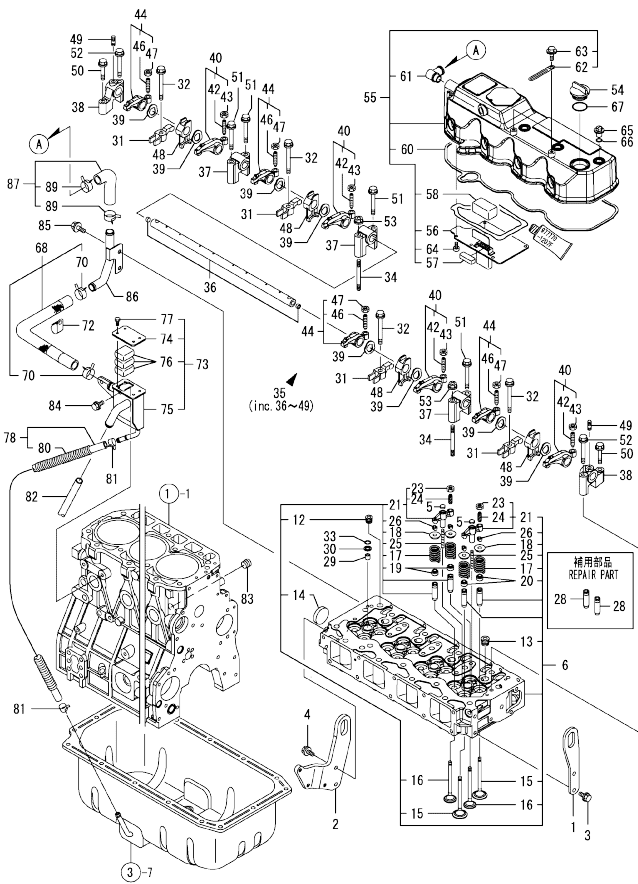
N:Old $\frac{100}{100}$ New, Q:Old $\frac{100}{100}$ New, R:Old $\frac{100}{100}$ New, S:Old $\frac{100}{100}$ New, W:Add, Z:Discontinued, F:Interchangeable by set, K:Qty Change
 Copyright (C) YANMAR GLOBAL CS CO., LTD. All Rights Reserved.

Fig.3. FLYWHEEL HOUSING & OIL SUMP



No.	Lev.	Parts No.	Description	Q'ty						I	R	
				(A)	(B)	(C)	(D)	(E)	(F)			
1	1	129100-01580	PIN, PARALLEL 8X16		2							
2	1	129981-01600	HOUSING, FLYWHEEL		1							
3	1	119620-01750	CAP		1							
4	1	26206-100352	BOLT, M10X 35 PLATED		9							
5	1	26206-100702	BOLT, M10X 70 PLATED		4							
6	1	129916-01790	SEAL, D115/95XT11		1							
7	1	129972-01710	SUMP ASSY, OIL		1							
8	2	105425-01690	PLUG, M16		1							
10	2	22190-160002	WASHER, SEAL 16		1							
11	1	26106-080122	BOLT, M8X 12 PLATED		16							

Fig.4. CYLINDER HEAD & BONNET



(A)=4TNV98T-ZNIR
(B)=
(C)=

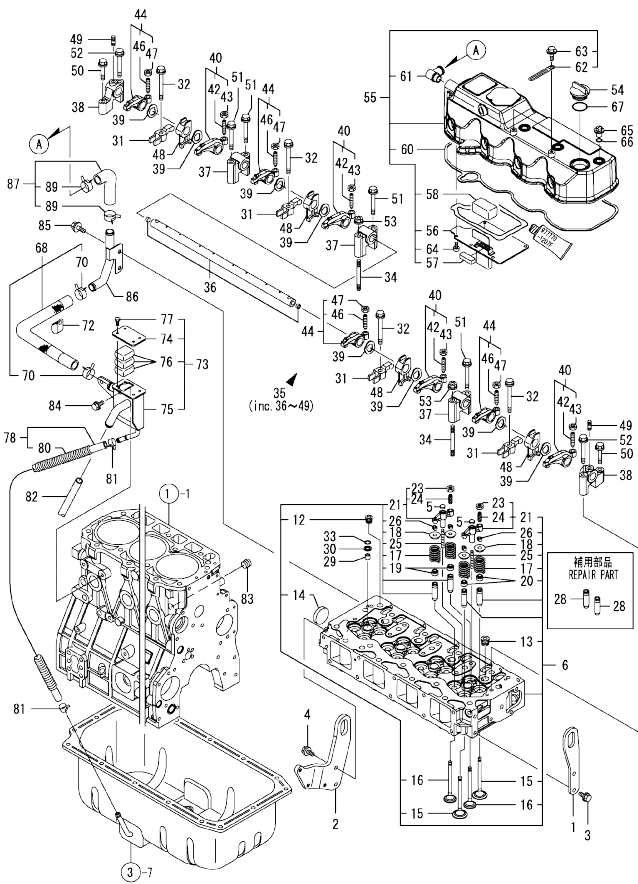
(D)=
(E)=
(F)=

No.	Lev.	Parts No.	Description	Q'ty						I	R
				(A)	(B)	(C)	(D)	(E)	(F)		
1	1	129907-07900	LIFTER, ENGINE	1							
2	1	129928-07900	LIFTER, ENGINE	1							
3	1	26106-080162	BOLT, M8X 16 PLATED	2							
4	1	26106-080202	BOLT, M8X 20 PLATED	2							
5	1	123907-11550	SEAT, VALVE BRIDGE	8							
6	1	129928-11700	HEAD ASSY, CYLINDER	1							
12	2	23876-020000	PLUG, R02	1							
13	2	23876-030000	PLUG, R03	4							
14	2	27241-400000	PLUG, 40	1							
15	2	129907-11100	VALVE, SUCTION	8							
16	2	129907-11110	VALVE, EXHAUST	8							
17	2	129907-11120	SPRING, VALVE	16							
18	2	119620-11180	RETAINER, SPRING	16							
19	2	119803-11340	SEAL, VALVE STEM	8							
20	2	124160-11340	SEAL, VALVE STEM	8							
21	2	129907-11510	BRIDGE ASSY, VALVE	8							
23	3	129150-11750	NUT, M8	8							
24	3	123907-11830	ADJUSTER	8							
25	2	123907-11820	GUIDE, BRIDGE	8							
26	2	27310-070001	COTTER, 7	16							
28	1	129907-11800	GUIDE, VALVE	16							1
29	1	119802-11870	PROTECTOR, NOZZLE	4							
30	1	119625-11880	SEAT, NOZZLE	4							
31	1	129907-11910	RETAINER, NOZZLE	4							
32	1	129907-11950	BOLT, M8X75	4							
33	1	24311-000120	O-RING, 1AP12.0	4							
34	1	119593-11301	BOLT, STUD M8X80	2							
35	1	129907-11341	SHAFT ASSY, ROCKER	1							
36	2	129907-11250	SHAFT, ROCKER ARM	1							
37	2	129907-11260	SUPPORT, ROCKER ARM	3							
38	2	129907-11270	SUPPORT, ROCKER ARM	2							
39	2	123907-11280	WASHER	8							
40	2	129907-11650	ARM ASSY, ROCKER	4							
42	3	129150-11230	SCREW, VALVE ADJUST	4							
43	3	129150-11750	NUT, M8	4							
44	2	129907-11660	ARM ASSY, ROCKER	4							
46	3	129150-11230	SCREW, VALVE ADJUST	4							
47	3	129150-11750	NUT, M8	4							
48	2	129907-11920	RETAINER, NOZZLE	4							
49	2	26226-080222	STUD, M8X 22	2							
50	1	26106-080402	BOLT, M8X 40 PLATED	2							
51	1	26106-080602	BOLT, M8X 60 PLATED	4							
52	1	26106-080602	BOLT, M8X 60 PLATED	2							
53	1	26306-080002	NUT, M8	2							
54	1	124160-01751	CAP, FILLER	1							
55	1	129928-11320	BONNET ASSY, HEAD	1							
56	2	129907-03011	PLATE, BAFFLE	1							
57	2	129907-03061	BAFFLE, BREATHER	1							
58	2	129907-03070	BAFFLE, BREATHER	1							
60	2	129933-11310	GASKET, BONNET	1							
61	2	119100-11330	ELBOW, BREATHER	1							

Remarks
(1) REPAIR PART.

N:Old, N:New, Q:Old, Q:New, R:Old, R:New, S:Old, S:New, W:Add, Z:Discontinued, F:Interchangeable by set, K:Q'ty Change
++ CONTINUE ++
Copyright (C) YANMAR GLOBAL CS CO., LTD. All Rights Reserved.

Fig.4. CYLINDER HEAD & BONNET



(A)=4TNV98T-ZNIR
(B)=
(C)=

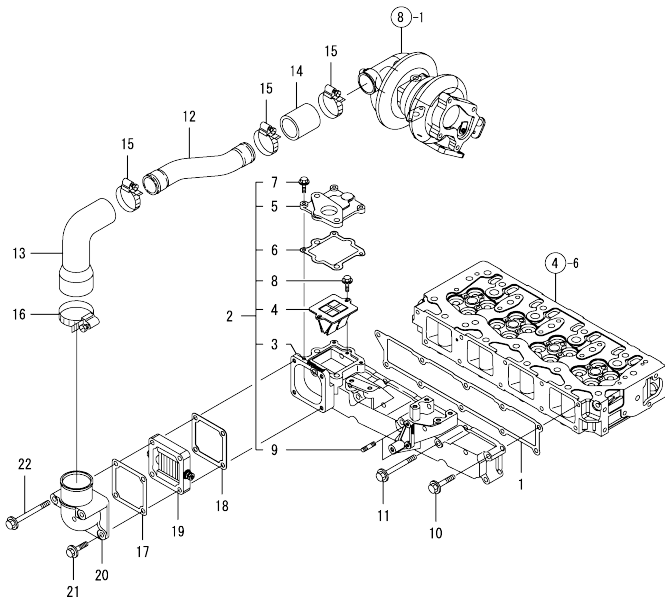
(D)=
(E)=
(F)=

No.	Lev.	Parts No.	Description	Qty						I	R	
				(A)	(B)	(C)	(D)	(E)	(F)			
62	2	129509-79700	CLAMP, 140-M6									
63	2	26106-060122	BOLT, M6X 12 PLATED									
64	2	22857-500100	SCREW, 5X10									
65	1	124160-11360	KNOB									
66	1	24311-000120	O-RING, 1AP12.0									
67	1	24311-000320	O-RING, 1AP32.0									
68	1	129928-03080	HOSE ASSY, BREATHER									
70	2	129410-03990	CLAMP, HOSE 21.5									
72	1	129150-03100	RETAINER, PIPE									
73	1	129972-03240	SEPARATOR ASSY, MIST									
74	2	129972-03220	COVER, SEPARATOR									
75	2	129972-03230	SEPARATOR, MIST									
76	2	123901-03240	FILTER									
77	2	26116-050102	BOLT, M5X 10 PLATED									
78	1	129928-03300	HOSE ASSY, RETURN									
78-1	1	123912-03300	HOSE ASSY, RETURN									N
		(A=2008.06.)										
80	2	129928-59130	TUBE, CORRUGATED 19									
80-1	2	123912-03270	TUBE, CORRUGATED 19									S
		(A=2008.06.)										
81	1	23000-019000	CLAMP, 19									
82	1	23065-160250	PIPE, 16X 250									
83	1	23876-030000	PLUG, R03									
84	1	26106-080142	BOLT, M8X 14 PLATED									
85	1	26106-080122	BOLT, M8X 12 PLATED									
86	1	129928-03050	PIPE, BREATHER									
87	1	129928-03060	HOSE ASSY, BREATHER									
89	2	129410-03990	CLAMP, HOSE 21.5									

Remarks
(1) REPAIR PART.

N:Old $\frac{100}{100}$ New, Q:Old $\frac{100}{100}$ New, R:Old $\frac{100}{100}$ New, S:Old $\frac{100}{100}$ New, W:Add, Z:Discontinued, F:Interchangeable by set, K:Qty Change
Copyright (C) YANMAR GLOBAL CS CO., LTD. All Rights Reserved.

Fig.5. SUCTION MANIFOLD

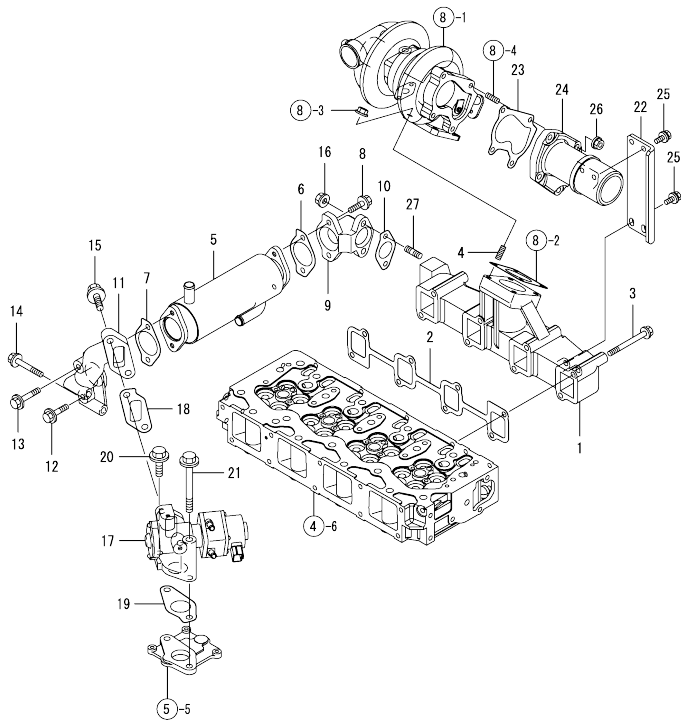


(A)=4TNV98T-ZNIR
(B)=
(C)=

(D)=
(E)=
(F)=

No.	Lev.	Parts No.	Description	Q'ty						I	R
				(A)	(B)	(C)	(D)	(E)	(F)		
1	1	129907-12110	GASKET, MANIFOLD	1							
2	1	129928-12150	MANIFOLD ASSY,INTAKE	1							
3	2	129928-12100	MANIFOLD, AIR INTAKE	1							
4	2	129928-13700	VALVE, LEAD	1							
5	2	129928-13710	SPACER, EGR VALVE	1							
6	2	129928-13720	GASKET	1							
7	2	26106-060202	BOLT, M6X 20 PLATED	3							
8	2	26106-060202	BOLT, M6X 20 PLATED	2							
9	2	26216-060202	STUD, M6X 20	2							
10	1	26106-080452	BOLT, M8X 45 PLATED	6							
11	1	26106-080802	BOLT, M8X 80 PLATED	4							
12	1	129948-18200	DUCT, AIR	1							
13	1	129948-18210	JOINT, RUBBER	1							
14	1	123951-18220	JOINT, RUBBER	1							
15	1	23000-054000	CLAMP, 54	3							
16	1	23000-070000	CLAMP, 70	1							
17	1	119129-77020	GASKET	1							
18	1	121850-77021	GASKET, AIR HEATER	1							
19	1	119005-77051	HEATER, AIR	1							
20	1	119129-77520	BEND	1							
21	1	26106-080402	BOLT, M8X 40 PLATED	2							
22	1	26106-080902	BOLT, M8X 90 PLATED	2							

Fig.6. EXHAUST MANIFOLD

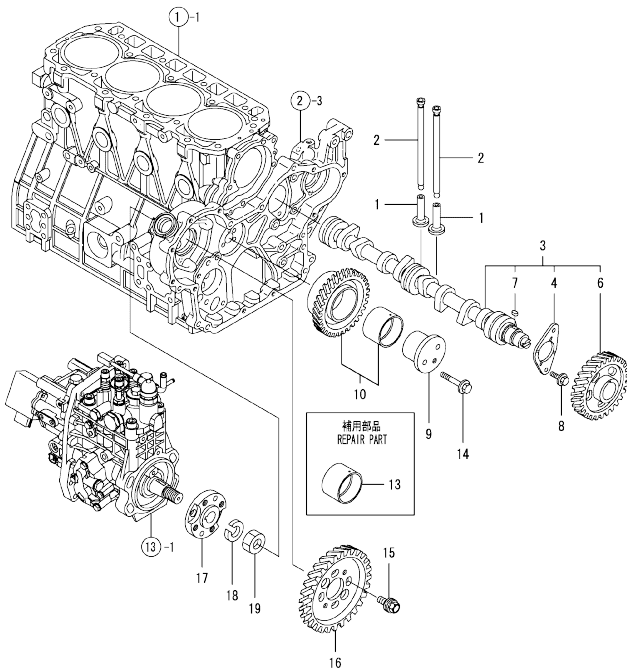


(A)=4TNV98T-ZNIR
(B)=
(C)=

(D)=
(E)=
(F)=

No.	Lev.	Parts No.	Description	Qty						I	R
				(A)	(B)	(C)	(D)	(E)	(F)		
1	1	129948-13100	MANIFOLD, EXHAUST	1							
2	1	129900-13251	GASKET, EXH.MANIFOLD	1							
3	1	123900-13630	BOLT, M8X80	8							
4	1	119131-18320	BOLT, STUD M8X22	4							
5	1	129928-13400	COOLER ASSY, EGR	1							
6	1	129928-13410	GASKET	1							
7	1	129928-13410	GASKET	1							
8	1	119802-13790	BOLT, M8X25 10.9T	2							
9	1	129928-13800	PIPE, EGR IN	1							
10	1	129927-13810	GASKET	1							
11	1	129928-13810	PIPE, EGR OUT	1							
12	1	26106-080352	BOLT, M8X 35 PLATED	1							
13	1	26106-080452	BOLT, M8X 45 PLATED	1							
14	1	26106-080552	BOLT, M8X 55 PLATED	2							
15	1	26106-100252	BOLT, M10X 25 PLATED	2							
16	1	26306-080002	NUT, M8	2							
17	1	129927-13900	VALVE, EGR	1							
18	1	129927-13910	GASKET, EGR	1							
19	1	129927-13920	GASKET, EGR	1							
20	1	26106-100402	BOLT, M10X 40 PLATED	1							
21	1	26106-101052	BOLT, M10X105 PLATED	1							
22	1	129908-13660	STAY	1							
23	1	123901-18080	GASKET	1							
24	1	129908-18100	OUTLET	1							
25	1	26014-080202	BOLT, M8X 20	4							
26	1	26306-080002	NUT, M8	4							
27	1	129418-18320	BOLT, STUD M8X20	2							

Fig.7. CAMSHAFT & DRIVING GEAR



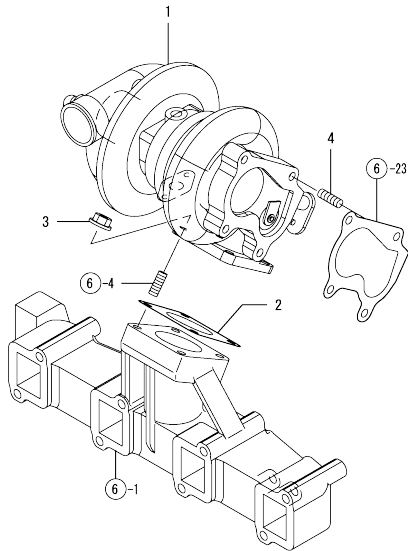
(A)=4TNV98T-ZNIR
(B)=
(C)=

(D)=
(E)=
(F)=

No.	Lev.	Parts No.	Description	Q'ty						I	R
				(A)	(B)	(C)	(D)	(E)	(F)		
1	1	129150-14200	TAPPET	8							
2	1	129907-14400	PUSH-ROD	8							
3	1	129908-14581	CAMSHAFT ASSY	1							
4	2	129150-02450	BEARING, THRUST	1							
6	2	129900-14100	GEAR, CAMSHAFT	1							
7	2	22512-070140	KEY, 7X 14	1							
8	1	26106-080162	BOLT, M8X 16 PLATED	2							
9	1	123900-25060	SHAFT, IDLE GEAR	1							
10	1	129900-25100	GEAR ASSY, IDLE	1							
13	1	129150-25920	BUSH, IDLE GEAR	1							1
14	1	26106-080552	BOLT, M8X 55 PLATED	3							
15	1	129953-25300	BOLT	4							
16	1	129907-25900	GEAR, PUMP	1							
17	1	158563-51150	FLANGE	1							
18	1	22217-180000	WASHER, SPRING 18	1							
19	1	26776-180002	NUT, LOCK M18	1							

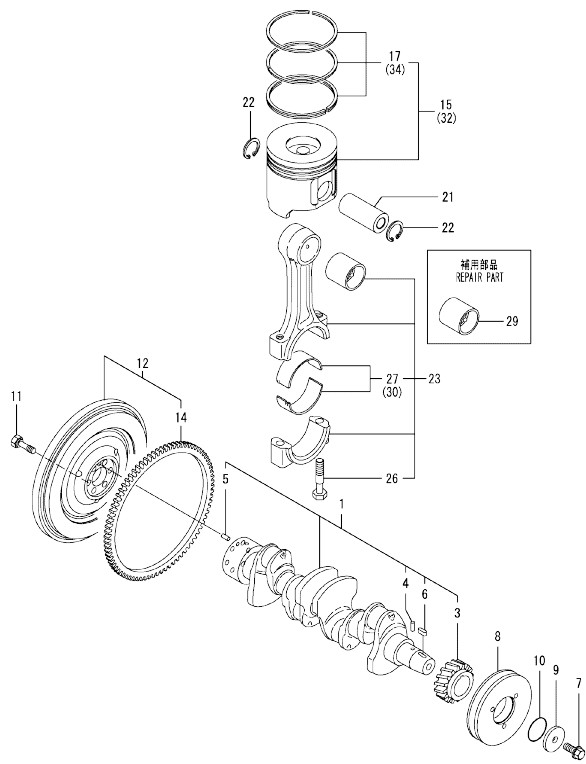
Remarks
(1) REPAIR PART.

Fig.8. TURBINE



No.	Lev.	Parts No.	Description	Q'ty					
				(A)	(B)	(C)	(D)	(E)	(F)
1	1	129935-18010	TURBOCHARGER, RHF5	1					
2	1	129472-18090	GASKET	1					
3	1	26306-080002	NUT, M8	4					
4	1	119131-18320	BOLT, STUD M8X22	4					

Fig.9. CRANKSHAFT & PISTON

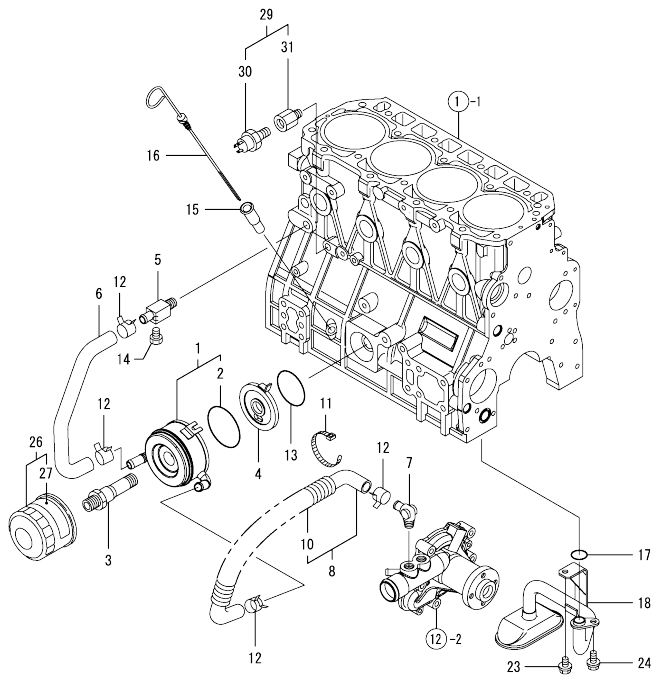


Remarks

- (1) REPAIR PART.
- (2) UNDER-SIZED(U.S=0.25)PART.
- (3) OVER-SIZED(O.S=0.25)PART.

No.	Lev.	Parts No.	Description	Q'ty						I	R
				(A)	(B)	(C)	(D)	(E)	(F)		
1	1	129908-21000	CRANKSHAFT ASSY	1							
3	2	129900-21200	GEAR, CRANKSHAFT	1							
4	2	121850-21290	PIN	1							
5	2	121850-21920	PIN, PARALLEL 10X22	1							
6	2	22512-070140	KEY, 7X 14	1							
7	1	129916-21610	BOLT	1							
8	1	129907-21680	V-PULLEY, 156	1							
9	1	129960-21640	WASHER	1							
10	1	24341-000530	O-RING, 1AS53.0	1							
11	1	121850-21130	BOLT, FLYWHEEL	6							
12	1	129907-21580	FLYWHEEL ASSY	1							
14	2	129900-21600	GEAR, RING	1							
15	1	129928-22080	PISTON ASSY	4							
17	2	129927-22050	RING SET, PISTON	4							
21	1	120130-22301	PIN, PISTON	4							
22	1	22252-000300	RING, 30	8							
23	1	129900-23001	ROD ASSY, CONNECTING	4							
26	2	129900-23200	BOLT, CONNECTING ROD	8							
27	2	129900-23601	BEARING, CRANK PIN	4							
29	1	129900-23911	BEARING, PISTON PIN	4							1
30	1	129900-23611	BEARING ASSY, 0.25US	4							2
32	1	729928-22900	PISTON ASSY, 0.25 OS	4							3
34	2	729927-22950	RING SET, 0.25 OS	4							3

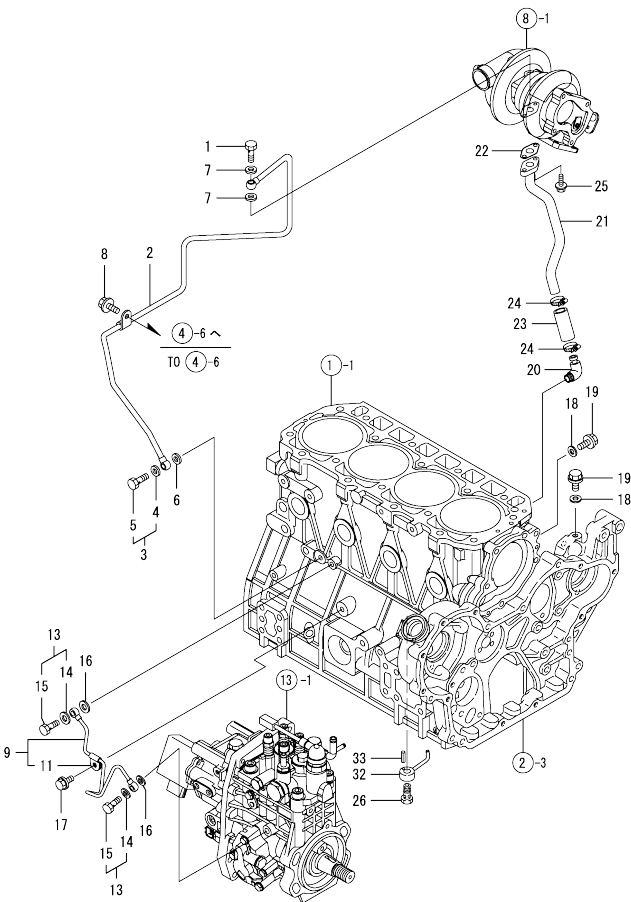
Fig.10. LUB.OIL SYSTEM



No.	Lev.	Parts No.	Description	Q'ty						I	R
				(A)	(B)	(C)	(D)	(E)	(F)		
1	1	129908-33010	COOLER ASSY, OIL	1							
2	2	123912-33050	O-RING	1							
3	1	123912-33100	BOLT, COOLER	1							
4	1	129908-33101	BRACKET, OIL COOLER	1							
5	1	129006-44480	JOINT	1							
6	1	129908-49060	HOSE, WATER	1							
7	1	129466-49300	ELBOW, PT3/8	1							
8	1	123910-49600	HOSE ASSY WATER	1							
10	2	123910-49610	TUBE, CORRUGATED	1							
11	1	121750-59890	BAND, NYLON	1							
12	1	23000-025000	CLAMP, 25	4							
13	1	24321-000600	O-RING, 1AG60.0	1							
14	1	171056-49120	PLUG, DRAIN R1/4	1							
15	1	121520-34810	GUIDE, DIPSTICK	1							
16	1	129953-34830	DIPSTICK	1							
17	1	129900-32030	O-RING, P20	1							
18	1	129953-35000	PIPE ASSY, OIL INLET	1							
23	1	26106-080122	BOLT, M8X 12 PLATED	1							
24	1	26106-080162	BOLT, M8X 16 PLATED	1							
26	1	119802-35150	FILTER ASSY, D80X80L	1							
27	2	119802-07020	LABEL, L/O FILTER	1							
29	1	119940-39470	SWITCH	1							
30	2	119802-39460	SWITCH	1							
31	2	119285-39610	ADAPTER	1							

OCW10-M28500 4TNV98T-ZNIR
 Fig.11. LUB.OIL LINE

OCW10-M28500 Fig.11

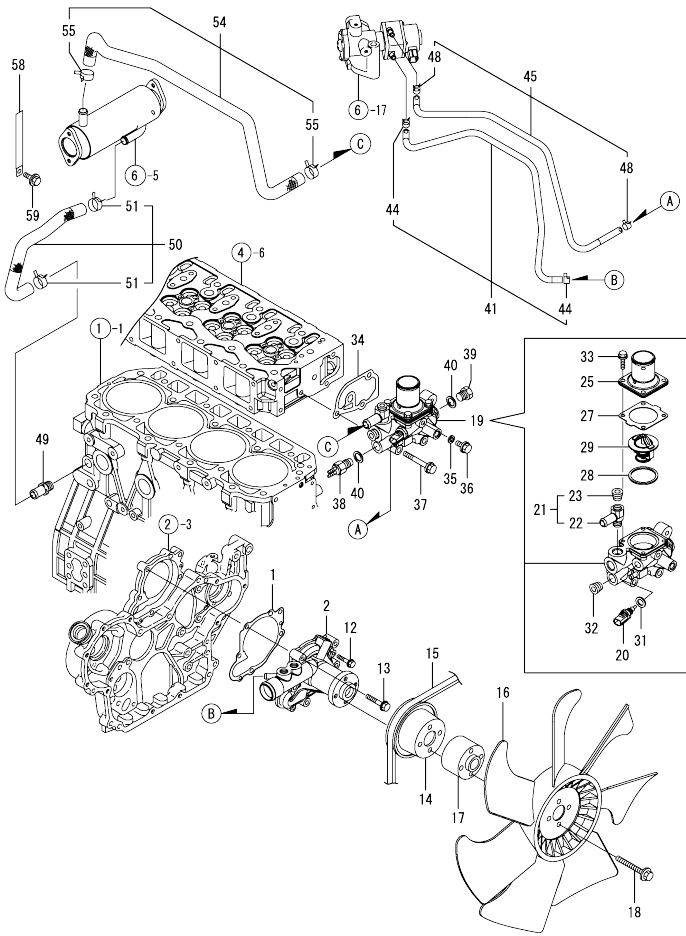


(A)=4TNV98T-ZNIR
 (B)=
 (C)=

(D)=
 (E)=
 (F)=

No.	Lev.	Parts No.	Description	Q'ty						I	R
				(A)	(B)	(C)	(D)	(E)	(F)		
1	1	121252-39150	BOLT, JOINT M10X1.5	1							
2	1	129948-39060	PIPE ASSY, OIL	1							
3	1	129005-59830	BOLT ASSY, JOINT M8	1							
4	2	22190-080002	WASHER, SEAL 6	1							
5	2	23857-030000	BOLT, JOINT 3	1							
6	1	22190-080002	WASHER, SEAL 6	1							
7	1	23414-100000	GASKET, 10X1.0	2							
8	1	26106-080122	BOLT, M8X 12 PLATED	1							
9	1	129927-39060	PIPE ASSY, OIL	1							
11	2	123907-39500	RETAINER, PIPE	1							
13	1	129005-59830	BOLT ASSY, JOINT M8	2							
14	2	22190-080002	WASHER, SEAL 6	2							
15	2	23857-030000	BOLT, JOINT 3	2							
16	1	22190-080002	WASHER, SEAL 6	2							
17	1	26106-080122	BOLT, M8X 12 PLATED	1							
18	1	22190-080002	WASHER, SEAL 6	2							
19	1	26106-080122	BOLT, M8X 12 PLATED	2							
20	1	124070-13300	ELBOW, PT3/8	1							
21	1	129974-39600	PIPE ASSY, OIL	1							
22	1	129908-39690	GASKET	1							
23	1	123901-39820	HOSE, LO RETURN	1							
24	1	23000-025000	CLAMP, 25	2							
25	1	26106-060162	BOLT, M6X 16 PLATED	2							
26	1	129908-39410	VALVE ASSY, CHECK	4							
32	1	119000-39650	NOZZLE, COOLING	4							
33	1	22351-030010	PIN, SPRING 3.0X10	4							

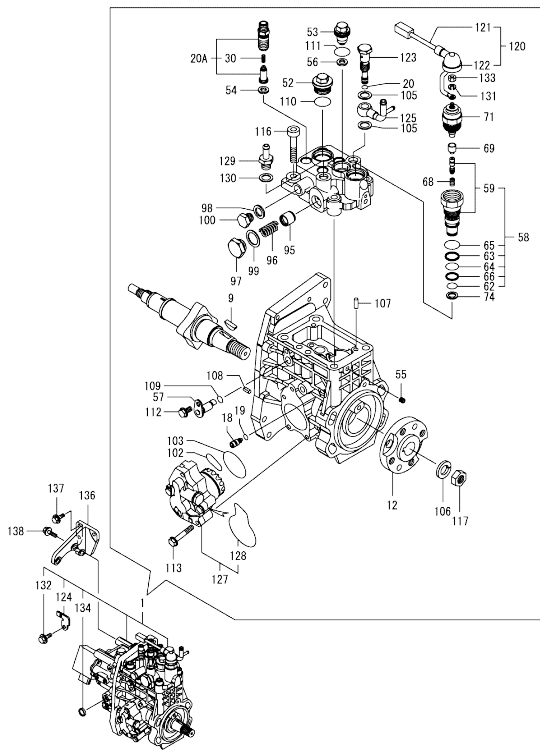
Fig.12. COOLING WATER SYSTEM



No.	Lev.	Parts No.	Description	Q'ty						I	R
				(A)	(B)	(C)	(D)	(E)	(F)		
1	1	129900-42020	GASKET, WATER PUMP	1							
2	1	129948-42100	PUMP ASSY, WATER	1							
12	1	26106-060302	BOLT, M6X 30 PLATED	2							
13	1	26106-080552	BOLT, M8X 55 PLATED	5							
14	1	123900-42470	V-PULLEY, C.W.PUMP	1							
15	1	25153-004500	V-BELT, B45	1							
16	1	123915-44741	FAN, COOLING	1							
17	1	123910-44771	SPACER, FAN 50	1							
18	1	26106-100702	BOLT, M10X 70 PLATED	4							
19	1	129928-49800	CASE ASSY,THERMOSTAT	1							
20	2	129927-44900	SENSOR, WATER TEMP.	1							
21	2	129928-49400	JOINT ASSY	1							
22	3	129928-49410	JOINT	1							
23	3	23875-030000	PLUG, R03	1							
25	2	129916-49530	COVER, THERMOSTAT	1							
27	2	121850-49540	GASKET, THERMOSTAT	1							
28	2	121850-49550	GASKET, THERMOSTAT	1							
29	2	121850-49810	THERMOSTAT, 71C	1							
31	2	22190-120002	WASHER, SEAL 12	1							
32	2	23875-030000	PLUG, R03	1							
33	2	26106-060202	BOLT, M6X 20 PLATED	4							
34	1	129900-49870	GASKET, THERMOSTAT	1							
35	1	23414-080000	GASKET, 8X1.0	1							
36	1	26106-080122	BOLT, M8X 12 PLATED	1							
37	1	26106-080602	BOLT, M8X 60 PLATED	3							
38	1	119843-44900	SWITCH, 110	1							
39	1	121450-42450	PLUG, M16	1							
40	1	124465-44950	GASKET, 16	2							
41	1	129927-49610	HOSE ASSY, WATER	1							
44	2	23080-012000	CLAMP, 12	2							
45	1	129927-49620	HOSE ASSY, WATER	1							
48	2	23080-012000	CLAMP, 12	2							
49	1	129928-49420	JOINT	1							
50	1	129948-49610	HOSE ASSY, WATER	1							
51	2	129960-03990	CLAMP, HOSE 19.8	2							
54	1	129928-49620	HOSE ASSY, WATER	1							
55	2	129960-03990	CLAMP, HOSE 19.8	2							
58	1	129928-79700	CLAMP, 150-M8	1							
59	1	26106-080122	BOLT, M8X 12 PLATED	1							

N:Old $\frac{New}{Old}$ New, Q:Old $\frac{New}{Old}$ New, R:Old $\frac{New}{Old}$ New, S:Old $\frac{New}{Old}$ New, W:Add, Z:Discontinued, F:Interchangeable by set, K:Q'ty Change
 Copyright (C) YANMAR GLOBAL CS CO., LTD. All Rights Reserved.

Fig.13. FUEL INJECTION PUMP



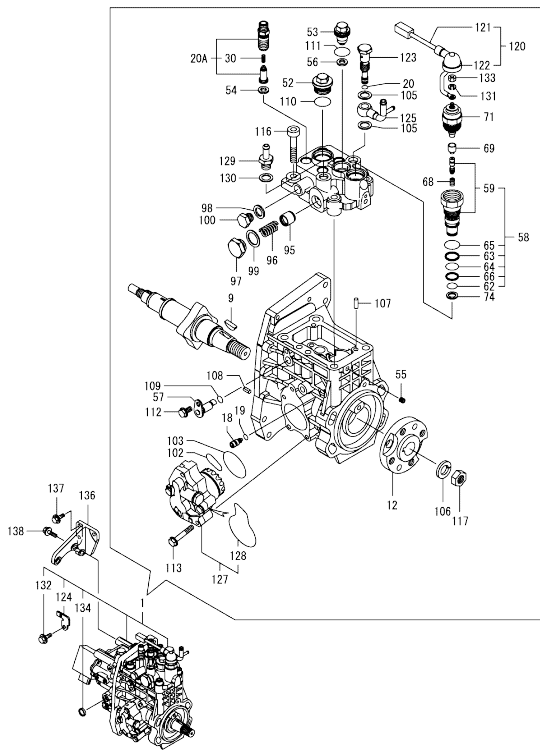
Remarks

(1) GOVERNOR ASSY (FIG.14) IS INCORPORATED IN THIS FUEL INJECTION PUMP (REF.NO.1).
 * ECO PUMP
 MAKE SURE TO UPDATE THE ENGINES ECU INFORMATION WHEN REPLACING THE ECO PUMP.
 FAILING TO DO SO WILL RESULT IN ENGINE MALFUNCTION.

No.	Lev.	Parts No.	Description	Q'ty						I	R
				(A)	(B)	(C)	(D)	(E)	(F)		
1	1	729948-51310	PUMP ASSY, INJECTION	1							1
9	2	144626-51090	FEATHER KEY, 5X19	1							
12	2	158563-51150	FLANGE	1							
18	2	158600-51270	STOPPER, TAPPET	1							
19	2	158563-51281	O-RING, 4D S6	1							
20	2	158563-51281	O-RING, 4D S6	1							
20A	2	129928-51390	VALVE ASSY, DELIVERY	4							W
(A**2008.04.)											
30	3	158563-51330	SPRING, DELIVERY	4							
52	2	158601-51550	PLUG, M22	1							
53	2	129907-51560	PLUG, M16	1							
54	2	158552-51570	GASKET, PLUG	4							
55	2	158557-51570	PLUG, RACK	1							
56	2	129906-51580	GASKET, PLUG	1							
57	2	158552-51580	LIFTER, LINK	1							
58	2	129657-51590	TIMER ASSY	1							
59	3	129657-51600	TIMER ASSY	1							
62	3	158553-51670	O-RING	1							
63	3	119802-51680	RING, BACKUP	1							
64	3	119802-51690	O-RING	1							
65	3	24356-010200	O-RING, 4D1020	1							
66	3	24372-000150	RING, BACK UP T2P15	1							
68	2	119852-51630	SPRING, TIMER	1							
69	2	119852-51640	CAP, TIMER	1							
71	2	119852-51650	VALVE ASSY, SOLENOID	1							
74	2	158553-51680	GASKET, TIMER	1							
95	2	158601-51770	PISTON, ACCUMULATOR	1							
96	2	158552-51781	SPRING, ACCUMULATOR	1							
97	2	158601-51790	PLUG	1							
98	2	22190-120002	WASHER, SEAL 12	1							
99	2	22190-180002	WASHER, SEAL 18	1							
100	2	23887-120002	PLUG, 12	1							
102	2	158552-52310	O-RING	1							
103	2	158552-52400	O-RING, 4E S42	1							
105	2	22190-120002	WASHER, SEAL 12	2							
106	2	22217-180000	WASHER, SPRING 18	1							
107	2	22312-050140	PIN, PARALLEL M5X14	2							
108	2	22351-050010	PIN, SPRING 5.0X10	2							
109	2	24311-000070	O-RING, 1AP7.0	1							
110	2	24356-010200	O-RING, 4D1020	1							
111	2	24356-020210	O-RING, 4D2021	1							
112	2	26106-060102	BOLT, M6X 10 PLATED	1							
113	2	26106-060352	BOLT, M6X 35 PLATED	4							
116	2	26450-100452	BOLT, M10X 45	4							
117	2	26776-180002	NUT, LOCK M18	1							
120	2	129927-51650	HARNESS ASSY, WIRE	1							
121	3	129927-51660	HARNESS	1							
122	3	129263-77941	CAP, RUBBER	1							
123	2	158601-51650	JOINT, OVER FLOW	1							
124	2	129927-51670	BRACKET	1							
125	2	158552-51670	JOINT, OVER FLOW	1							

N:Old $\frac{New}{Old}$ New, Q:Old $\frac{New}{Old}$ New, R:Old $\frac{New}{Old}$ New, S:Old $\frac{New}{Old}$ New, W:Add, Z:Discontinued, F:Interchangeable by set, K:Q'ty Change
 ++ CONTINUE ++
 Copyright (C) YANMAR GLOBAL CS CO., LTD. All Rights Reserved.

Fig.13. FUEL INJECTION PUMP



(A)=4TNV98T-ZNIR
(B)=
(C)=

(D)=
(E)=
(F)=

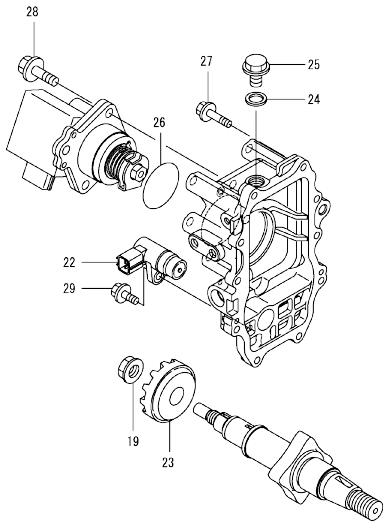
No.	Lev.	Parts No.	Description	Q'ty					
				(A)	(B)	(C)	(D)	(E)	(F)
127	2	158552-52100	PUMP ASSY, FUEL FEED	1					
128	3	158552-52500	O-RING	1					
129	2	119934-59910	JOINT, PIPE	1					
130	2	22190-120002	WASHER, SEAL 12	1					
131	2	22217-050000	WASHER, SPRING 5	1					
132	2	26106-060122	BOLT, M6X 12 PLATED	1					
133	2	26716-050002	NUT, M5	1					
134	2	27241-160000	PLUG, 16	1					
136	1	129927-51250	RETAINER, PUMP	1					
137	1	26106-080202	BOLT, M8X 20 PLATED	3					
138	1	26106-080302	BOLT, M8X 30 PLATED	3					

Remarks

(1) GOVERNOR ASSY (FIG.14) IS INCORPORATED IN THIS FUEL INJECTION PUMP (REF.NO.1).
* ECO PUMP
MAKE SURE TO UPDATE THE ENGINES ECU INFORMATION WHEN REPLACING THE ECO PUMP.
FAILING TO DO SO WILL RESULT IN ENGINE MALFUNCTION.

0CW10-M28500 4TNV98T-ZNIR
 Fig.14. GOVERNOR

0CW10-M28500 Fig.14



(A)=4TNV98T-ZNIR
 (B)=
 (C)=

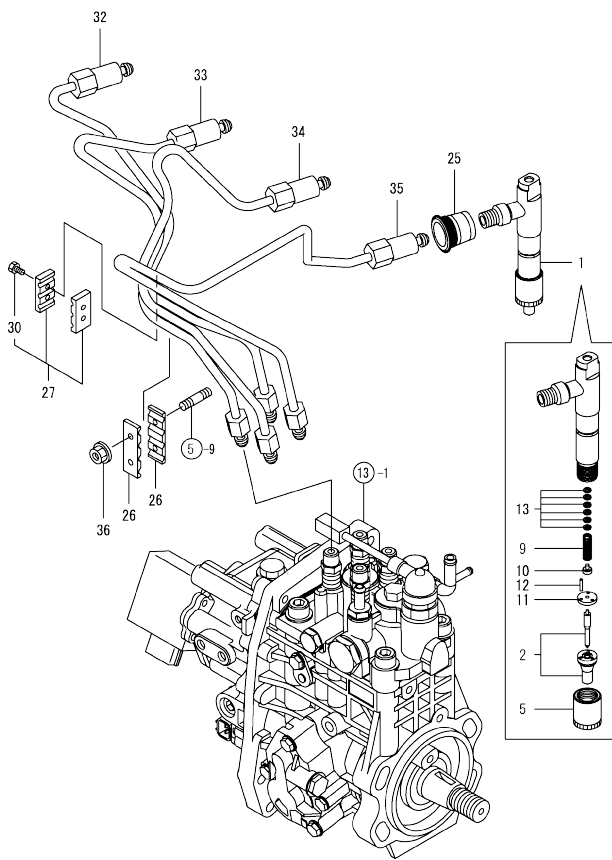
(D)=
 (E)=
 (F)=

No.	Lev.	Parts No.	Description	Q'ty					
				(A)	(B)	(C)	(D)	(E)	(F)
19	2	129008-61301	NUT	1					
22	2	158557-61720	SENSOR	1					
23	2	158553-61780	GEAR, SENSOR	1					
24	2	23414-120000	GASKET, 12X1.0	1					
25	2	23887-120002	PLUG, 12	1					
26	2	24341-000480	O-RING, 1AS48.0	1					
27	2	26106-060252	BOLT, M6X 25 PLATED	10					
28	2	26106-080252	BOLT, M8X 25 PLATED	3					

Remarks
 * THIS FIGURE(GOVERNOR ASSY)IS
 INCORPORATED IN THE FUEL INJECTION
 PUMP ASSY(FIG.13).

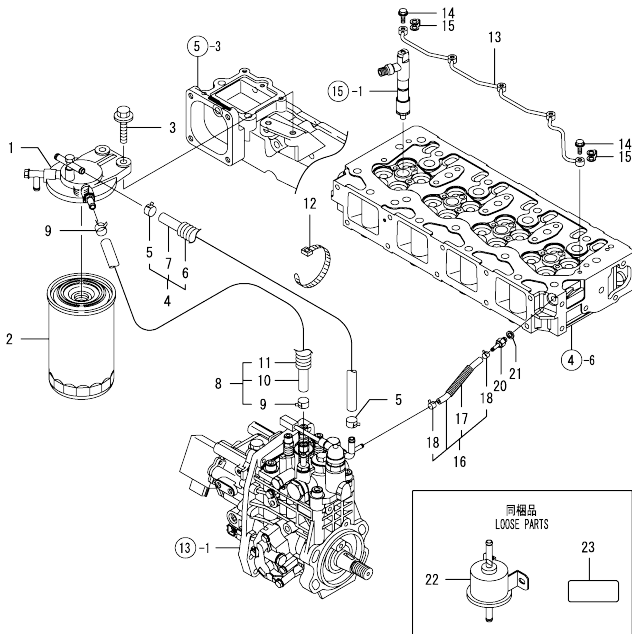
N:Old $\frac{100}{100}$ New, Q:Old $\frac{100}{100}$ New, R:Old $\frac{100}{100}$ New, S:Old $\frac{100}{100}$ New, W:Add, Z:Discontinued, F:Interchangeable by set, K:Q'ty Change
 Copyright (C) YANMAR GLOBAL CS CO., LTD. All Rights Reserved.

Fig.15. FUEL INJECTION VALVE



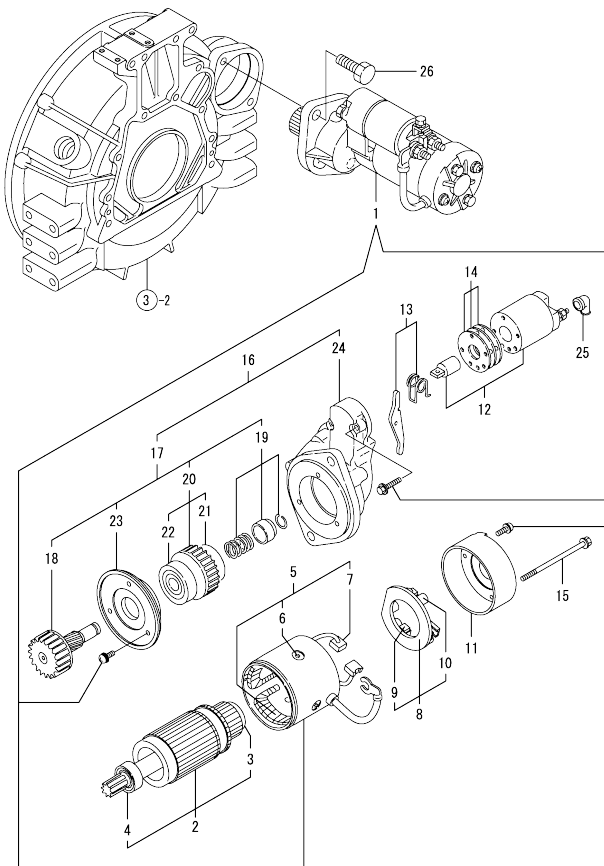
No.	Lev.	Parts No.	Description	Q'ty						I	R
				(A)	(B)	(C)	(D)	(E)	(F)		
1	1	729928-53100	FUEL INJECTOR ASSY	4							
2	2	129928-53000	NOZZLE ASSY, F.I.	4							
5	2	114250-53080	NUT, NOZZLE	4							
9	2	114250-53120	SPRING, NOZZLE	4							
10	2	114250-53130	SEAT, SPRING	4							
11	2	114250-53140	SPACER	4							
12	2	114250-53210	PIN	8							
13	2	114250-53400	SHIM SET	4							
25	1	123907-11601	SEAL, PIPE	4							
26	1	123472-59120	RETAINER, PIPE	2							
27	1	129150-59120	RETAINER, PIPE	1							
30	2	129150-59131	BOLT, M4X14	2							
32	1	129927-59810	PIPE ASSY, INJECTION	1							
33	1	129927-59820	PIPE ASSY, INJECTION	1							
34	1	129927-59830	PIPE ASSY, INJECTION	1							
35	1	129927-59840	PIPE ASSY, INJECTION	1							
36	1	26366-060002	NUT, M6	2							

Fig.16. FUEL LINE



No.	Lev.	Parts No.	Description	Q'ty						I	R
				(A)	(B)	(C)	(D)	(E)	(F)		
1	1	129004-55612	BRACKET, FILTER	1							
2	1	129933-55801	FILTER, FUEL	1							
3	1	26106-080302	BOLT, M8X 30 PLATED	2							
4	1	129457-59010	HOSE ASSY, FUEL	1							
5	2	124766-59050	CLAMP, HOSE 11.5	2							
6	2	129957-59120	TUBE, CORRUGATED 15	1							
7	2	105025-59750	HOSE, FUEL	1							
8	1	129961-59310	HOSE ASSY, FUEL	1							
9	2	124766-59050	CLAMP, HOSE 11.5	2							
10	2	129136-59110	HOSE, D13/7.5X270	1							
11	2	129961-59110	TUBE, CORRUGATED 15	1							
12	1	121750-59890	BAND, NYLON	1							
13	1	129907-59140	PIPE ASSY, RETURN	1							
14	1	123907-59540	BOLT, PIPE JOINT M6	5							
15	1	123907-59550	GASKET	5							
16	1	129927-59550	HOSE ASSY RETURN	1							
17	2	129263-49750	TUBE, CORRUGATED	1							
18	2	124722-59050	CLAMP, HOSE 9	2							
20	1	123907-59560	JOINT, HOSE	1							
21	1	22190-080002	WASHER, SEAL 6	1							
22	1	119225-52102	PUMP, FUEL FEED	1							
23	1	119802-52120	LABEL (FEED PUMP)	1							

Fig.17. STARTING MOTOR

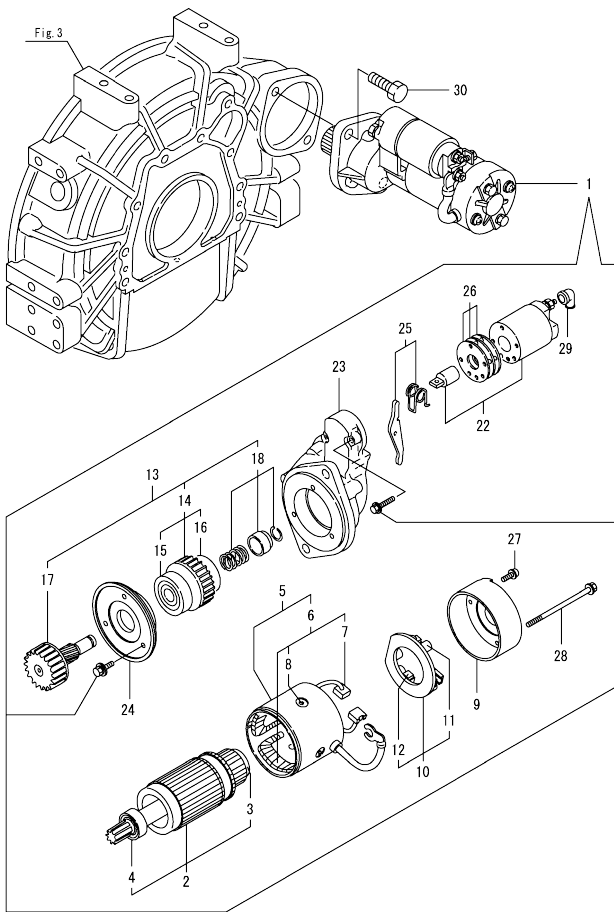


(A)=4TNV98T-ZNIR
(B)=
(C)=

(D)=
(E)=
(F)=

No.	Lev.	Parts No.	Description	Q'ty						I	R
				(A)	(B)	(C)	(D)	(E)	(F)		
1	1	129900-77010	STARTER ASSY	1							
2	2	129900-77400	ARMATURE ASSY	1							
3	3	X2114155110	BEARING, BALL	1							
4	3	X2114255110	BEARING, BALL	1							
5	2	129900-77440	COIL ASSY, FIELD	1							
6	3	171008-77450	SCREW, CORE SET	4							
7	3	129900-77450	BRUSH	2							
8	2	129900-77480	HOLDER ASSY, BRUSH	1							
9	3	129900-77450	BRUSH	2							
10	3	X2130631300	SPRING, BRUSH	4							
11	2	129900-77460	COVER	1							
12	2	129900-77591	SWITCH ASSY, MAGNET	1							
13	2	129900-77620	LEVER SET	1							
14	2	129900-77650	COVER KIT, DUST	1							
15	2	129900-77640	BOLT, THROUGH	2							
16	2	129900-77700	CASE ASSY, GEAR	1							
17	3	129900-77510	PINION ASSY, W/CLUTCH	1							
18	4	129900-77540	SHAFT, PINION	1							
19	4	129900-77550	STOPPER SET, PINION	1							
20	4	129900-77520	CLUTCH ASSY	1							
21	5	171008-77730	BEARING, BALL	1							
22	5	171008-77740	BEARING, BALL	1							
23	4	129900-77610	RETAINER, BEARING	1							
24	3	129900-77710	CASE, GEAR	1							
25	2	171008-77750	COVER, TERMINAL	1							
26	1	26116-120302	BOLT, M12X 30 PLATED	2							

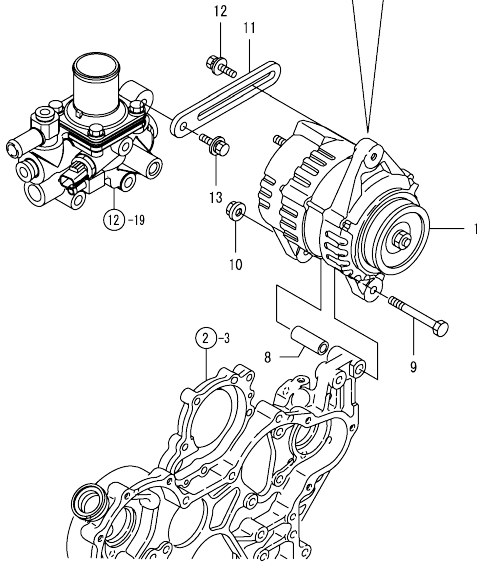
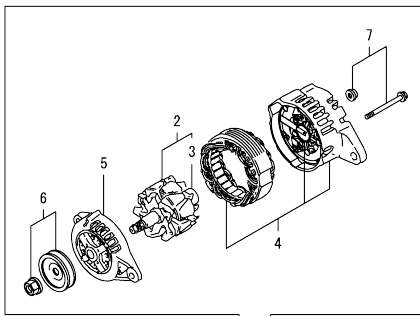
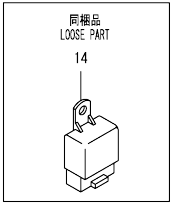
Fig.21. (17A)STARTING MOTOR



No.	Lev.	Parts No.	Description	Q'ty						I	R
				(A)	(B)	(C)	(D)	(E)	(F)		
1	1	129900-77040	STARTER ASSY	1							
2	2	129900-77120	ARMATURE ASSY	1							
3	3	171008-77410	BEARING, BALL	1							
4	3	171008-77420	BEARING, BALL	1							
5	2	129900-77130	YOKE ASSY	1							
6	3	129900-77140	COIL ASSY, FIELD	1							
7	4	129900-77450	BRUSH	2							
8	4	171008-77450	SCREW, CORE SET	4							
9	2	129900-77150	COVER	1							
10	2	129900-77160	HOLDER ASSY, BRUSH	1							
11	3	X2130631300	SPRING, BRUSH	4							
12	3	129900-77450	BRUSH	2							
13	2	129900-77170	CLUTCH ASSY	1							
14	3	129900-77180	CLUTCH ASSY	1							
15	4	129900-77190	BEARING, BALL	1							
16	4	X2114955020	BEARING, BALL	1							
17	3	129900-77270	SHAFT, PINION	1							
18	3	171008-77670	STOPPER SET, PINION	1							
22	2	129900-77280	SWITCH ASSY, MAGNET	1							
23	2	129900-77290	CASE, GEAR	1							
24	2	129900-77380	RETAINER, BEARING	1							
25	2	129900-77390	LEVER ASSY, SHIFT	1							
26	2	129900-77420	COVER KIT, DUST	1							
27	2	129900-77430	SCREW, M4X10	2							
28	2	129685-77640	BOLT, THROUGH	2							
29	2	171008-77750	COVER, TERMINAL	1							
30	1	26116-120302	BOLT, M12X 30 PLATED	2							

0CW10-M28500 4TNV98T-ZNIR
 Fig.18. GENERATOR

0CW10-M28500 Fig.18

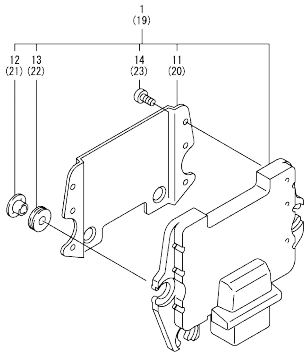


(A)=4TNV98T-ZNIR
 (B)=
 (C)=

(D)=
 (E)=
 (F)=

No.	Lev.	Parts No.	Description	Q'ty						I	R
				(A)	(B)	(C)	(D)	(E)	(F)		
1	1	123900-77210	ALTERNATOR, 12V-60A	1							
2	2	123900-77700	ROTOR ASSY	1							
3	3	129612-77710	BEARING, BALL	1							
4	2	123900-77720	BRACKET ASSY	1							
5	2	123900-77730	BRACKET ASSY	1							
6	2	123900-77740	PULLEY, GENERATOR	1							
7	2	123900-77750	SCREW KIT	1							
8	1	129470-77340	PIECE, DISTANCE	1							
9	1	26116-101202	BOLT, M10X120 PLATED	1							
10	1	26306-100002	NUT, M10	1							
11	1	129900-77330	ADJUSTER, BELT	1							
12	1	119810-77340	BOLT, ADJUST L=30	1							
13	1	26014-080252	BOLT, M8X 25	1							
14	1	198461-52950	RELAY, CA TYPE C	2							

Fig.19. ELECTRONIC CONTROL UNIT (ECU)



(A)=4TNV98T-ZNIR
(B)=
(C)=

(D)=
(E)=
(F)=

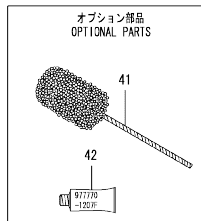
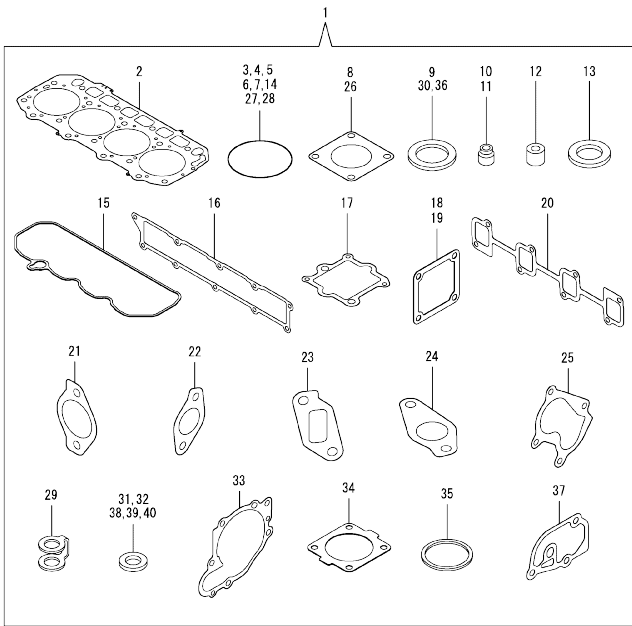
No.	Lev.	Parts No.	Description	Q'ty						I	R
				(A)	(B)	(C)	(D)	(E)	(F)		
1	1	129948-75010	CONTROLLER ASSY, EUC	1							1
11	2	129927-77600	SHIELD, ECU	1							
12	2	129927-77680	COLLAR, CONTROL	3							
13	2	119578-91351	ABSORBER	3							
14	2	22877-500080	SCREW, 5X 8	6							
19	1	129927-75900	ECU ASSY, SERVICE	1							2
20	2	129927-77600	SHIELD, ECU	1							
21	2	129927-77680	COLLAR, CONTROL	3							
22	2	119578-91351	ABSORBER	3							
23	2	22877-500080	SCREW, 5X 8	6							

Remarks

(1)ECO ECU
THIS PART CANNOT BE ORDERED.
REPLACE THE PART USING A SERVICE
ECU WITH THE PROPER ENGINE
INFORMATION INSTALLED.
(2)SERVICE ECU
IF THE PROPER INFORMATION IS NOT
INSTALLED, THE ENGINE WILL NOT
OPERATE.
TO INSTALL PROPER INFORMATION,
GO TO AN AUTHORIZED DISTRIBUTOR.

0CW10-M28500 4TNV98T-ZNIR
 Fig.20. GASKET SET

0CW10-M28500 Fig.20



Remarks
 (1) OPTIONAL PART.

No.	Lev.	Parts No.	Description	Qty						I	R	
				(A)	(B)	(C)	(D)	(E)	(F)			
1	1	729928-92640	GASKET SET	1							1	
2	2	129907-01331	GASKET, HEAD	1								
3	2	129900-32030	O-RING, P20	2								
4	2	129900-32040	O-RING, P14	1								
5	2	24311-000070	O-RING, 1AP7.0	1								
6	2	24351-030750	O-RING, 1A3075	1								
7	2	24311-000320	O-RING, 1AP32.0	2								
8	2	124240-01883	GASKET	1								
9	2	22190-160002	WASHER, SEAL 16	1								
10	2	119803-11340	SEAL, VALVE STEM	8								
11	2	124160-11340	SEAL, VALVE STEM	8								
12	2	119802-11870	PROTECTOR, NOZZLE	4								
13	2	119625-11880	SEAT, NOZZLE	4								
14	2	24311-000120	O-RING, 1AP12.0	8								
15	2	129933-11310	GASKET, BONNET	1								
16	2	129907-12110	GASKET, MANIFOLD	1								
17	2	129928-13720	GASKET	1								
18	2	119129-77020	GASKET	1								
19	2	121850-77021	GASKET, AIR HEATER	1								
20	2	129900-13251	GASKET, EXH.MANIFOLD	1								
21	2	129928-13410	GASKET	2								
22	2	129927-13810	GASKET	1								
23	2	129927-13910	GASKET, EGR	1								
24	2	129927-13920	GASKET, EGR	1								
25	2	123901-18080	GASKET	1								
26	2	129472-18090	GASKET	1								
27	2	24341-000530	O-RING, 1AS53.0	1								
28	2	24321-000600	O-RING, 1AG60.0	1								
29	2	123907-59550	GASKET	1								
30	2	22190-080002	WASHER, SEAL 6	9								
31	2	23414-100000	GASKET, 10X1.0	2								
32	2	129908-39690	GASKET	1								
33	2	129900-42020	GASKET, WATER PUMP	1								
34	2	121850-49540	GASKET, THERMOSTAT	1								
35	2	121850-49550	GASKET, THERMOSTAT	1								
36	2	22190-120002	WASHER, SEAL 12	1								
37	2	129900-49870	GASKET, THERMOSTAT	1								
38	2	23414-080000	GASKET, 8X1.0	1								
39	2	124465-44950	GASKET, 16	2								
40	2	129150-49360	GASKET	1								
41	1	129400-92450	HONE, FLEX	1								1
42	1	977770-1207F	GASKET, LIQUID	1								1

N:Old $\frac{100}{100}$ New, Q:Old $\frac{100}{100}$ New, R:Old $\frac{100}{100}$ New, S:Old $\frac{100}{100}$ New, W:Add, Z:Discontinued, F:Interchangeable by set, K:Qty Change
 Copyright (C) YANMAR GLOBAL CS CO., LTD. All Rights Reserved.

Parts No. Index

Parts No.	Fig. No.	Ref. No.	Parts No.	Fig. No.	Ref. No.	Parts No.	Fig. No.	Ref. No.	Parts No.	Fig. No.	Ref. No.
105025-59750	16	7	121850-21290	9	4	124240-01883	20	8	129900-02341	1	32
105425-01690	3	8	121850-21920	9	5	124465-44950	12	40	129900-02410	1	9
114250-53080	15	5	121850-49540	12	27		20	39	129900-02931	1	24
114250-53120	15	9		20	34	124722-59050	16	18	129900-02941	1	35
114250-53130	15	10	121850-49550	12	28	124766-59050	16	5	129900-13251	6	2
114250-53140	15	11		20	35			9		20	20
114250-53210	15	12	121850-49810	12	29	129001-91810	2	19	129900-14100	7	6
114250-53400	15	13	121850-77021	5	18			28	129900-21200	9	3
119000-39650	11	32		20	19	129004-55612	16	1	129900-21600	9	14
119005-77051	5	19	123472-59120	15	26	129005-59830	11	3	129900-23001	9	23
119100-11330	4	61	123900-13630	6	3			13	129900-23200	9	26
119129-77020	5	17	123900-25060	7	9	129006-44480	10	5	129900-23601	9	27
	20	18	123900-42470	12	14	129008-61301	14	19	129900-23611	9	30
119129-77520	5	20	123900-77210	18	1	129100-01580	2	1	129900-23911	9	29
119131-18320	6	4	123900-77700	18	2		3	1	129900-25100	7	10
	8	4	123900-77720	18	4	129136-59110	16	10	129900-32030	2	6
119225-52102	16	22	123900-77730	18	5	129150-02450	7	4		10	17
119285-39610	10	31	123900-77740	18	6	129150-03100	4	72		20	3
119578-91351	19	13	123900-77750	18	7	129150-11230	4	42	129900-32040	2	7
		22	123901-03240	4	76			46		20	4
119593-11301	4	34	123901-18080	6	23	129150-11750	4	23	129900-42020	12	1
119620-01750	3	3		20	25			43		20	33
119620-11180	4	18	123901-39820	11	23			47	129900-49870	12	34
119625-11880	4	30	123907-11280	4	39	129150-14200	7	1		20	37
	20	13	123907-11550	4	5	129150-25920	7	13	129900-77010	17	1
119802-07020	10	27	123907-11601	15	25	129150-49360	20	40	129900-77040	21	1
119802-11870	4	29	123907-11820	4	25	129150-59120	15	27	129900-77120	21	2
	20	12	123907-11830	4	24	129150-59131	15	30	129900-77130	21	5
119802-13790	6	8	123907-39500	11	11	129263-49750	16	17	129900-77140	21	6
119802-35150	10	26	123907-59540	16	14	129263-77941	13	122	129900-77150	21	9
119802-39460	10	30	123907-59550	16	15	129400-92450	20	41	129900-77160	21	10
119802-51680	13	63		20	29	129410-03990	4	70	129900-77170	21	13
119802-51690	13	64	123907-59560	16	20			89	129900-77180	21	14
119802-52120	16	23	123910-44771	12	17	129418-18320	6	27	129900-77190	21	15
119803-11340	4	19	123910-49600	10	8	129457-59010	16	4	129900-77270	21	17
	20	10	123910-49610	10	10	129466-49300	10	7	129900-77280	21	22
119810-77340	18	12	123912-03270	4	80 -1	129470-77340	18	8	129900-77290	21	23
119843-44900	12	38	123912-03300	4	78 -1	129472-18090	8	2	129900-77330	18	11
119852-51630	13	68	123912-33050	10	2		20	26	129900-77380	21	24
119852-51640	13	69	123912-33100	10	3	129509-79700	4	62	129900-77390	21	25
119852-51650	13	71	123915-44741	12	16	129612-77710	18	3	129900-77400	17	2
119934-59910	13	129	123951-18220	5	14	129657-51590	13	58	129900-77420	21	26
119940-39470	10	29	124070-13300	11	20	129657-51600	13	59	129900-77430	21	27
120130-22301	9	21	124160-01751	2	14	129685-77640	21	28	129900-77440	17	5
121252-39150	11	1		4	54	129900-01200	1	27	129900-77450	17	7
121450-42450	12	39	124160-11340	4	20	129900-01250	1	4			9
121520-34810	10	15		20	11	129900-01740	2	16		21	7
121750-59890	10	11	124160-11360	4	65	129900-01850	2	26			12
	16	12	124240-01871	2	20	129900-01870	2	27	129900-77460	17	11
121850-21130	9	11	124240-01883	2	21	129900-02020	1	6	129900-77480	17	8

Parts No. Index

Parts No.	Fig. No.	Ref. No.	Parts No.	Fig. No.	Ref. No.	Parts No.	Fig. No.	Ref. No.	Parts No.	Fig. No.	Ref. No.
129900-77510	17	17	129908-39690	20	32	129928-13810	6	11	158557-61720	14	22
129900-77520	17	20	129908-49060	10	6	129928-22080	9	15	158563-51150	7	17
129900-77540	17	18	129916-01790	3	6	129928-49400	12	21		13	12
129900-77550	17	19	129916-01800	2	25	129928-49410	12	22	158563-51281	13	19
129900-77591	17	12	129916-21610	9	7	129928-49420	12	49		20	20
129900-77610	17	23	129916-49530	12	25	129928-49620	12	54	158563-51330	13	30
129900-77620	17	13	129927-13810	6	10	129928-49800	12	19	158600-51270	13	18
129900-77640	17	15		20	22	129928-51390	13	20 A	158601-51550	13	52
129900-77650	17	14	129927-13900	6	17	129928-53000	15	2	158601-51650	13	123
129900-77700	17	16	129927-13910	6	18	129928-59130	4	80	158601-51770	13	95
129900-77710	17	24		20	23	129928-79700	12	58	158601-51790	13	97
129906-51580	13	56	129927-13920	6	19	129933-11310	4	60	171008-77410	21	3
129907-01331	1	28		20	24		20	15	171008-77420	21	4
	20	2	129927-22050	9	17	129933-55801	16	2	171008-77450	17	6
129907-03011	4	56	129927-39060	11	9	129935-18010	8	1		21	8
129907-03061	4	57	129927-44900	12	20	129948-13100	6	1	171008-77670	21	18
129907-03070	4	58	129927-49610	12	41	129948-18200	5	12	171008-77730	17	21
129907-07900	4	1	129927-49620	12	45	129948-18210	5	13	171008-77740	17	22
129907-11100	4	15	129927-51250	13	136	129948-39060	11	2	171008-77750	17	25
129907-11110	4	16	129927-51650	13	120	129948-42100	12	2		21	29
129907-11120	4	17	129927-51660	13	121	129948-49610	12	50	171051-01921	1	5
129907-11250	4	36	129927-51670	13	124	129948-75010	19	1	171056-49120	10	14
129907-11260	4	37	129927-59550	16	16	129953-25300	7	15	198461-52950	18	14
129907-11270	4	38	129927-59810	15	32	129953-34830	10	16	22190-080002	11	4
129907-11341	4	35	129927-59820	15	33	129953-35000	10	18			6
129907-11510	4	21	129927-59830	15	34	129957-59120	16	6			14
129907-11650	4	40	129927-59840	15	35	129960-03990	12	51			16
129907-11660	4	44	129927-75900	19	19			55			18
129907-11800	4	28	129927-77600	19	11	129960-21640	9	9		16	21
129907-11910	4	31			20	129961-59110	16	11		20	30
129907-11920	4	48	129927-77680	19	12	129961-59310	16	8	22190-120002	12	31
129907-11950	4	32			21	129972-01710	3	7		13	98
129907-12110	5	1	129928-03050	4	86	129972-03220	4	74			105
	20	16	129928-03060	4	87	129972-03230	4	75			130
129907-14400	7	2	129928-03080	4	68	129972-03240	4	73		20	36
129907-21580	9	12	129928-03300	4	78	129974-39600	11	21	22190-160002	3	10
129907-21680	9	8	129928-07900	4	2	129981-01600	3	2		20	9
129907-25900	7	16	129928-11320	4	55	144626-51090	13	9	22190-180002	13	99
129907-51560	13	53	129928-11700	4	6	158552-51570	13	54	22217-050000	13	131
129907-59140	16	13	129928-12100	5	3	158552-51580	13	57	22217-180000	7	18
129908-01500	2	3	129928-12150	5	2	158552-51670	13	125		13	106
129908-13660	6	22	129928-13400	6	5	158552-51781	13	96	22252-000300	9	22
129908-14581	7	3	129928-13410	6	6	158552-52100	13	127	22312-050140	13	107
129908-18100	6	24			7	158552-52310	13	102	22351-030010	11	33
129908-21000	9	1		20	21	158552-52400	13	103	22351-050010	13	108
129908-32060	2	4	129928-13700	5	4	158552-52500	13	128	22351-060012	1	10
129908-33010	10	1	129928-13710	5	5	158553-51670	13	62	22512-070140	7	7
129908-33101	10	4	129928-13720	5	6	158553-51680	13	74		9	6
129908-39410	11	26		20	17	158553-61780	14	23	22857-500100	4	64
129908-39690	11	22	129928-13800	6	9	158557-51570	13	55	22877-500080	19	14

Parts No. Index

Parts No.	Fig. No.	Ref. No.
22877-500080	19	23
23000-019000	4	81
23000-025000	10	12
	11	24
23000-054000	5	15
23000-070000	5	16
23065-160250	4	82
23080-012000	12	44
		48
23414-080000	12	35
	20	38
23414-100000	11	7
	20	31
23414-120000	14	24
23857-030000	11	5
		15
23875-030000	12	23
		32
23876-020000	4	12
23876-030000	1	11
		12
		13
	4	13
		83
23887-120002	13	100
	14	25
24311-000070	2	8
	13	109
	20	5
24311-000120	4	33
		66
	20	14
24311-000320	2	15
	4	67
	20	7
24321-000600	10	13
	20	28
24341-000480	14	26
24341-000530	9	10
	20	27
24351-030750	2	9
	20	6
24356-010200	13	65
		110
24356-020210	13	111
24372-000150	13	66
25153-004500	12	15
26014-080202	6	25
26014-080252	18	13
26106-060102	13	112

Parts No.	Fig. No.	Ref. No.	
26106-060122	4	63	
	13	132	
26106-060162	11	25	
26106-060202	5	7	
		8	
		12	33
26106-060252	14	27	
26106-060302	12	12	
26106-060352	13	113	
26106-080122	3	11	
	4	85	
	10	23	
	11	8	
		17	
		19	
		12	36
		59	
26106-080142	4	84	
26106-080162	2	10	
		17	
		22	
		29	
	4	3	
	7	8	
	10	24	
26106-080202	2	11	
	4	4	
	13	137	
26106-080252	14	28	
26106-080302	13	138	
	16	3	
26106-080352	6	12	
26106-080402	2	18	
		30	
	4	50	
	5	21	
26106-080452	2	12	
	5	10	
	6	13	
26106-080552	6	14	
	7	14	
	12	13	
26106-080602	4	51	
		52	
		37	
26106-080802	5	11	
26106-080902	5	22	
26106-100252	6	15	
26106-100402	6	20	
26106-100702	12	18	

Parts No.	Fig. No.	Ref. No.
26106-101052	6	21
26116-050102	4	77
26116-101202	18	9
26116-120302	17	26
	21	30
26206-100352	3	4
26206-100702	3	5
26216-060202	5	9
26216-100302	2	5
26226-080222	4	49
26306-080002	4	53
	6	16
		26
	8	3
26306-100002	2	13
	18	10
26366-060002	15	36
26450-100452	13	116
26716-050002	13	133
26776-180002	7	19
	13	117
27241-160000	13	134
27241-300000	1	14
27241-400000	4	14
27310-070001	4	26
729900-02801	1	29
729906-01550	2	23
729927-22950	9	34
729928-01560	1	1
729928-22900	9	32
729928-53100	15	1
729928-92640	20	1
729948-51310	13	1
977770-1207F	20	42
X2114155110	17	3
X2114255110	17	4
X2114955020	21	16
X2130631300	17	10
	21	11

Parts No.	Fig. No.	Ref. No.
-----------	----------	----------