

0CD50-M06190EN

P R E F A C E

This parts catalog is the 1st edition of 4TNV98T-ZGDG for Denyo

Published : June, 2020

Contents

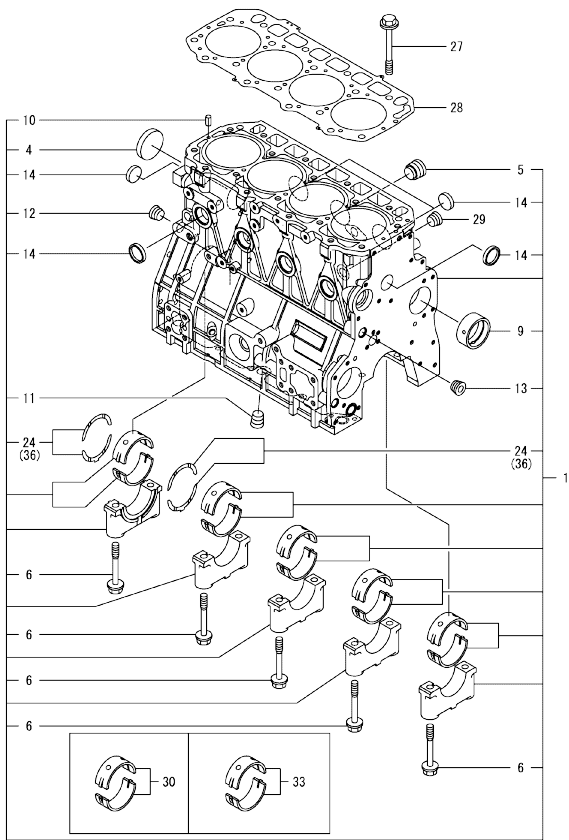
0CD50-M06190

Fig. No.	Fig. Name	Fig. No.	Fig. Name
ENGINE			
1.	CYLINDER BLOCK		
2.	GEAR HOUSING		
3.	FLYWHEEL HOUSING & OIL SUMP		
4.	BREATHER PIPE		
5.	CYLINDER HEAD & BONNET		
6.	SUCTION MANIFOLD & AIR CLEANER		
7.	EXHAUST MANIFOLD & SILENCER		
8.	CAMSHAFT & DRIVING GEAR		
9.	TURBINE		
10.	CRANKSHAFT & PISTON		
11.	LUB. OIL SYSTEM		
12.	LUB. OIL PIPE		
13.	COOLING WATER SYSTEM		
14.	FUEL INJECTION PUMP		
15.	GOVERNOR		
16.	FUEL INJECTION VALVE		
17.	FUEL PIPE		
18.	STARTER MOTOR		
19.	GENERATOR		
20.	ELECTRONIC CONTROL UNIT(ECU)		
21.	ACCESSORY		
22.	GASKET SET		

Fig.1. CYLINDER BLOCK

(A)=4TNV98T-ZGDG
(B)=
(C)=

(D)=
(E)=
(F)=

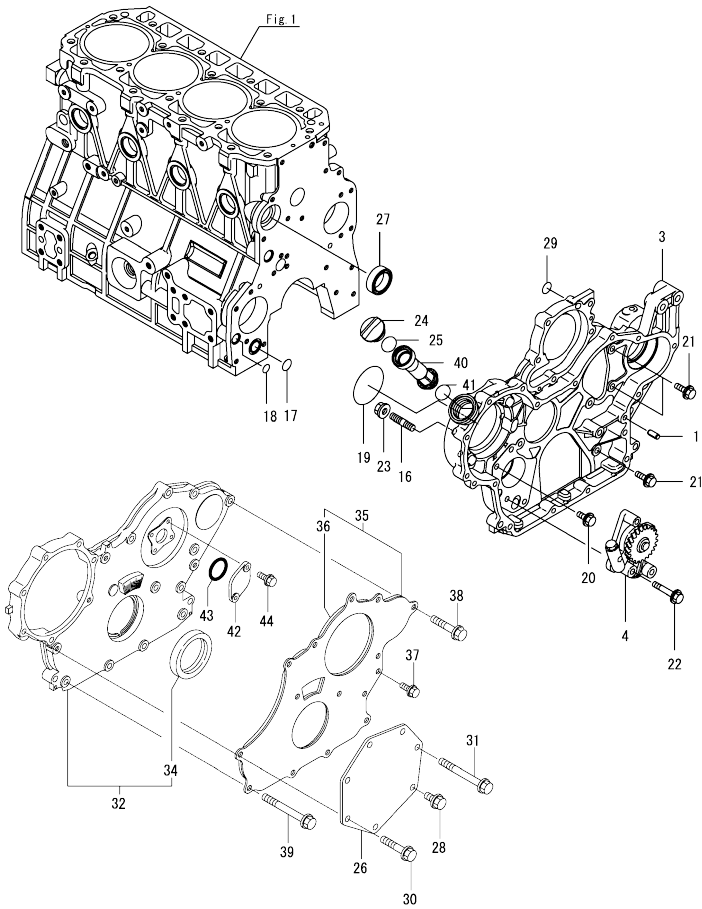


No.	Lev.	Parts No.	Description	Q'ty						I	R
				(A)	(B)	(C)	(D)	(E)	(F)		
1	1	729928-01560	BLOCK ASSY, CYLINDER	1							
4	2	129900-01250	PLUG, 55	1							
5	2	171051-01921	PLUG, NPTF1	1							
6	2	129900-02020	BOLT, METAL CAP	10							
9	2	129900-02410	BUSH, CAMSHAFT	1							
10	2	22351-060012	PIN, SPRING 6.0X12	2							
11	2	23876-030000	PLUG, R03	1							
12	2	23876-030000	PLUG, R03	1							
13	2	23876-030000	PLUG, R03	1							
14	2	27241-300000	PLUG 30	8							
24	2	129927-02930	BEARING ASSY, THRUST	2							
27	1	129900-01200	BOLT, CYLINDER HEAD	18							
28	1	129907-01331	GASKET, HEAD	1							
29	1	23876-030000	PLUG, R03	1							
30	1	729927-02800	BEARING ASSY, MAIN	5							1
33	1	129927-02340	BEARING ASSY, MAIN US	5							2
36	1	129927-02940	BEARING, THRUST 0.25OS	2							3

Remarks

- (1) Spare parts.
- (2) Under-sized (U.S.=0.25) parts.
- (3) Over-sized (O.S.=0.25) parts.

Fig.2. GEAR HOUSING

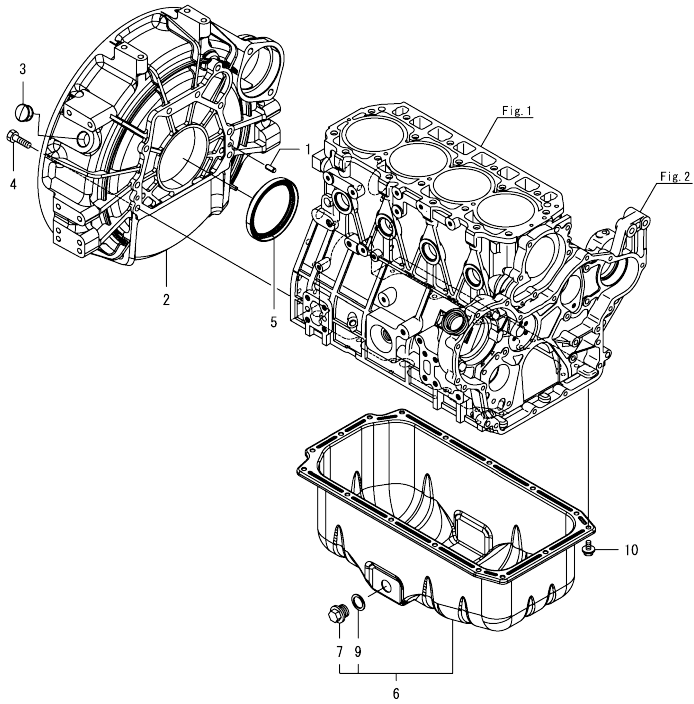


(A)=4TNV98T-ZGDG
(B)=
(C)=

(D)=
(E)=
(F)=

No.	Lev.	Parts No.	Description	Qty						I	R
				(A)	(B)	(C)	(D)	(E)	(F)		
1	1	129100-01580	PIN, PARALLEL 8X16	4							
3	1	129935-01500	CASE, GEAR	1							
4	2	129908-32060	PUMP ASSY, OIL	1							
16	1	26216-100302	STUD, M10X 30	4							
17	1	129900-32030	O-RING, P20	1							
18	1	129900-32040	O-RING, P14	1							
19	1	24351-030750	O-RING, 1A3075	1							
20	1	26106-080162	BOLT, M8X 16 PLATED	1							
21	1	26106-080202	BOLT, M8X 20 PLATED	3							
22	1	26106-080452	BOLT, M8X 45 PLATED	3							
23	1	26306-100002	NUT, M10	4							
24	1	124160-01751	CAP, FILLER	1							
25	1	24311-000320	O-RING, 1AP32.0	1							
26	1	129951-01740	COVER, PUMP TIMING	1							
27	1	129927-42140	GASKET, PUMP OUTLET	1							
28	1	26106-080202	BOLT, M8X 20 PLATED	1							
29	1	24311-000070	O-RING, 1AP7.0	1							
30	1	26106-080452	BOLT, M8X 45 PLATED	5							
31	1	26106-080752	BOLT, M8X 75 PLATED	1							
32	1	729907-01559	COVER ASSY, CASE	1							
34	2	129916-01800	SEAL, OIL	1							
35	1	129900-01850	COVER ASSY, CASE	1							
36	2	129900-01870	SPONGE, COVER	1							
37	1	26106-080162	BOLT, M8X 16 PLATED	3							
38	1	26106-080402	BOLT, M8X 40 PLATED	5							
39	1	26106-080702	BOLT, M8X 70 PLATED	6							
40	1	121027-11743	EXTENSION, FILLER	1							
41	1	24311-000320	PACKING, P 32.0	1							
42	1	121023-01551	COVER, TACHOMETER	1							
43	1	24341-000240	PACKING, S 24.0	1							
44	1	26106-060162	BOLT, 6 X 16	2							

Fig.3. FLYWHEEL HOUSING & OIL SUMP

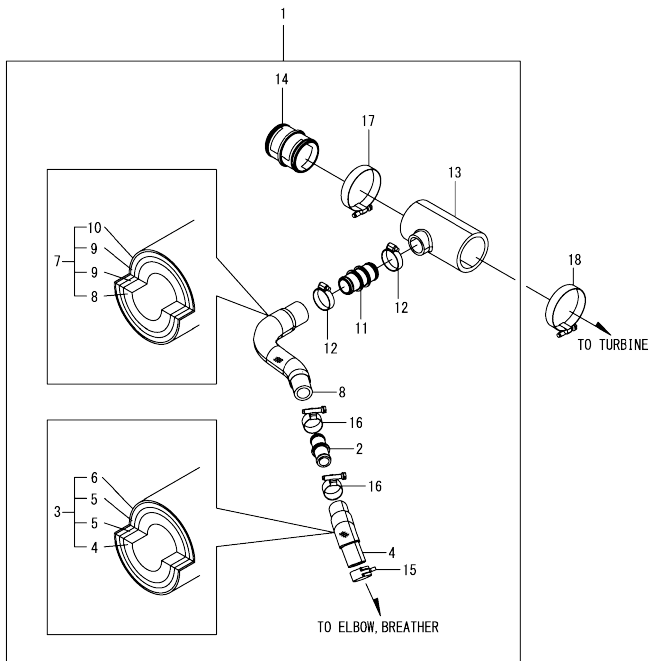


(A)=4TNV98T-ZGDG
(B)=
(C)=

(D)=
(E)=
(F)=

No.	Lev.	Parts No.	Description	Q'ty						I	R
				(A)	(B)	(C)	(D)	(E)	(F)		
1	1	129100-01580	PIN, PARALLEL 8X16	2							
2	1	129915-01610	HOUSING, FLYWHEEL	1							
3	1	119000-01840	PLUG, RUBBER Z5	1							
4	1	26206-100352	BOLT, M10X 35 PLATED	9							
5	1	129916-01790	SEAL, OI	1							
6	1	129982-01710	OIL PAN ASSY	1							
7	2	119640-01640	PLUG, DRAIN M22	1							
9	2	22190-220002	WASHER, SEAL 22	1							
10	1	26106-080122	BOLT, M8X 12 PLATED	16							

Fig.4. BREATHER PIPE

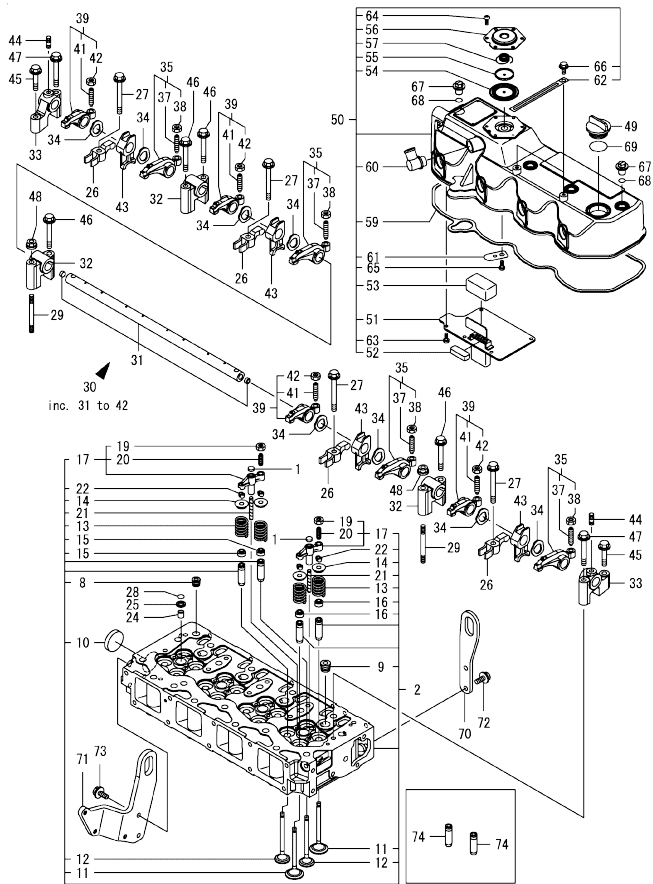


(A)=4TNV98T-ZGDG
(B)=
(C)=

(D)=
(E)=
(F)=

No.	Lev.	Parts No.	Description	Q'ty						I	R
				(A)	(B)	(C)	(D)	(E)	(F)		
1	1	129945-03130	PIPE ASSY, BREATHER	1							
2	2	129945-03040	PIPE ASSY, BREATHER	1							
3	2	129945-03140	JOINT,ORIFICE	1							
4	3	129945-03120	HOSE ASSY, BREATHER	1							
5	3	129945-03190	HOSE, BREATHER	2							
6	3	129945-03210	PROTECTOR, HOSE	1							
7	2	129945-03160	PROTECTOR, MESH	1							
8	3	129945-03150	HOSE ASSY, BREATHER	1							
9	3	129945-03180	HOSE, BREATHER	2							
10	3	129945-03200	PROTECTOR, HOSE	1							
11	2	129945-03220	PROTECTOR, MESH	1							
12	2	129978-03280	JOINT, BREATHER	2							
13	2	129945-03310	CLIP, HOSE 35.0	1							
14	2	129945-03380	JOINT, BREATHER	1							
15	2	129410-03990	JOINT,BREATHER	1							
16	2	23000-025000	CLAMP, HOSE 22	2							
17	2	23000-060000	CLAMP, HOSE 25	1							
18	1	23000-060000	CLAMP, HOSE 60	1							

Fig.5. CYLINDER HEAD & BONNET



(A)=4TNV98T-ZGDG
(B)=
(C)=

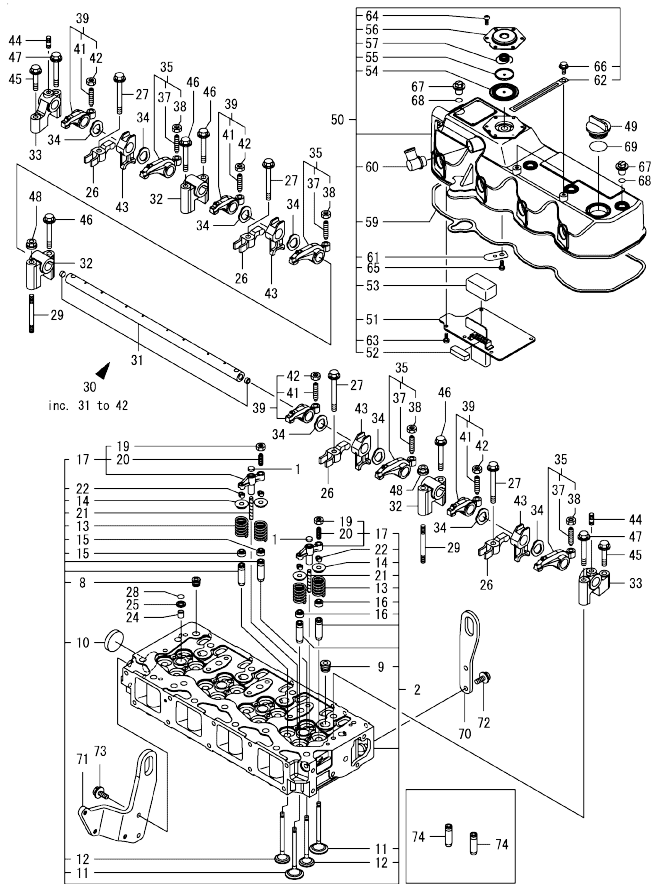
(D)=
(E)=
(F)=

No.	Lev.	Parts No.	Description	(A)	(B)	(C)	(D)	(E)	(F)	Q'ty	I	R
1	1	123907-11550	CLAMP, HOSE 60							1		
2	1	129928-11700	HEAD ASSY, CYLINDER							1		
8	2	23876-020000	PLUG, R02							1		
9	2	23876-030000	PLUG, R03							4		
10	2	27241-400000	PLUG, 40							1		
11	2	129907-11100	VALVE, INTAKE							8		
12	2	129907-11110	VALVE, EXHAUST							8		
13	2	129907-11120	SPRING, VALVE							16		
14	2	119620-11180	RETAINER, SPRING							16		
15	2	119803-11340	SEAL, VALVE STEM							8		
16	2	124160-11340	SEAL, VALVE STEM							8		
17	2	129907-11510	BRIDGE ASSY, VALVE							8		
19	3	129150-11750	NUT, M8XP1.0							8		
20	3	123907-11830	ADJUSTER, BRIDGE							8		
21	2	123907-11820	GUIDE, BRIDGE							8		
22	2	27310-070001	COTTER, 7							16		
24	1	119802-11870	PROTECTOR, NOZZLE							4		
25	1	119625-11880	SEAT, NOZZLE							4		
26	1	129907-11960	RETAINER, NOZZLE							4		
27	1	129907-11950	BOLT, VALVE HOLDER							4		
28	1	24311-000120	O-RING, 1AP12.0							4		
29	1	119593-11301	STUD, M8X80							2		
30	1	129907-11341	SUPPORT ASSY, ROCKER							1		
31	2	129907-11250	SHAFT, ROCKER ARM							1		
32	2	129907-11260	SUPPORT, ROCKER A							3		
33	2	129907-11270	SUPPORT, ROCKER B							2		
34	2	123907-11280	WASHER, WAVE							8		
35	2	129907-11650	ARM ASSY, ROCKER INT							4		
37	3	129150-11230	SCREW, VALVE ADJUST							4		
38	3	129150-11750	NUT, M8XP1.0							4		
39	2	129907-11660	ARM ASSY, ROCKER EXH							4		
41	3	129150-11230	SCREW, VALVE ADJUST							4		
42	3	129150-11750	NUT, M8XP1.0							4		
43	2	129907-11920	RETAINER, NOZZLE							4		
44	2	26226-080222	STUD, M8X 22							2		
45	1	26106-080402	BOLT, M8X 40 PLATED							2		
46	1	26106-080602	BOLT, M8X 60 PLATED							4		
47	1	26106-080602	BOLT, M8X 60 PLATED							2		
48	1	26306-080002	NUT, M8							2		
49	1	124160-01751	CAP, FILLER							1		
50	1	129945-11320	BONNET ASSY, HEAD							1		
51	2	129907-03011	PLATE, BAFFLE							1		
52	2	129907-03061	BAFFLE, BREATHER							1		
53	2	129907-03070	BAFFLE, BREATHER							1		
54	2	123907-03100	DIAPHRAGM, BREATHER							1		
55	2	123907-03110	PLATE, CENTER							1		
56	2	123907-03120	PLATE, BREATHER							1		
57	2	123907-03140	SPRING, DIAPHRAGM							1		
59	2	129933-11310	GASKET, BONNET							1		
60	2	119100-11330	ELBOW, BREATHER							1		
61	2	129009-11340	SPRING, PLATE							1		

Remarks
(1)Spare parts.

N:Old $\frac{New}{Old}$ New, Q:Old $\frac{New}{Old}$ New, R:Old $\frac{New}{Old}$ New, S:Old $\frac{New}{Old}$ New, W:Add, Z:Discontinued, F:Interchangeable by set, K:Qty Change
++ CONTINUE ++ Copyright (C) 2020 YANMAR GLOBAL CS CO., LTD. All Rights Reserved.

Fig.5. CYLINDER HEAD & BONNET



(A)=4TNV98T-ZGDG
(B)=
(C)=

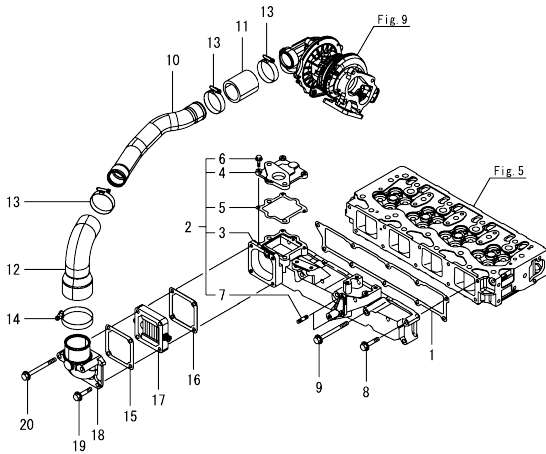
(D)=
(E)=
(F)=

No.	Lev.	Parts No.	Description	Qty						I	R
				(A)	(B)	(C)	(D)	(E)	(F)		
62	2	129509-79700	CLAMP, 140-M6	2							
63	2	22857-500100	SCREW, 5X10	6							
64	2	22857-500100	SCREW, 5X10	6							
65	2	22857-500100	SCREW, 5X10	1							
66	2	26106-060122	BOLT, M6X 12 PLATED	2							
67	1	124160-11360	KNOB, BONNET	4							
68	1	24311-000120	O-RING, 1AP12.0	4							
69	1	24311-000320	O-RING, 1AP32.0	1							
70	1	129907-07900	LIFTER, ENGINE	1							
71	1	129948-07900	LIFTER, ENGINE	1							
72	1	26106-080162	BOLT, M8X 16 PLATED	2							
73	1	26106-080202	BOLT, M8X 20 PLATED	2							
74	1	129907-11800	GUIDE, VALVE	16							1

Remarks

(1)Spare parts.

Fig.6. SUCTION MANIFOLD & AIR CLEANER

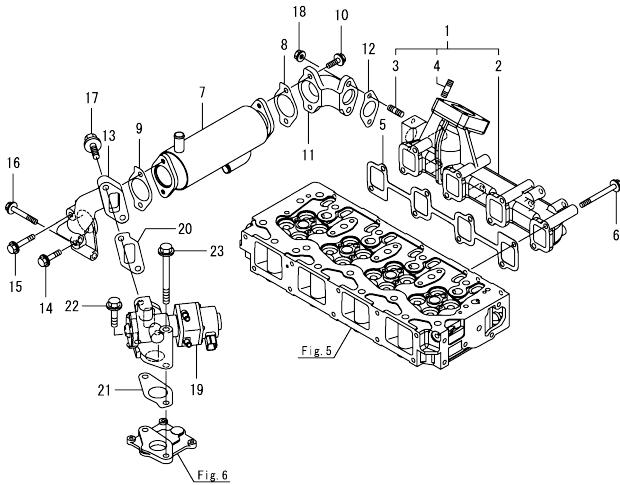


(A)=4TNV98T-ZGDG
(B)=
(C)=

(D)=
(E)=
(F)=

No.	Lev.	Parts No.	Description	Q'ty						I	R
				(A)	(B)	(C)	(D)	(E)	(F)		
1	1	129907-12110	GASKET, MANIFOLD	1							
2	1	129945-12150	MANIFOLD ASSY,INTAKE	1							
3	2	129928-12100	MANIFOLD, INTAKE	1							
4	2	129928-13710	SPACER, EGR VALVE	1							
5	2	129928-13720	GASKET, EGR-V SPACER	1							
6	2	26106-060202	BOLT, M6X 20 PLATED	3							
7	2	26216-060202	STUD, M6X 20	2							
8	1	26106-080452	BOLT, M8X 45 PLATED	6							
9	1	26106-080802	BOLT, M8X 80 PLATED	4							
10	1	129928-18200	DUCT, AIR	1							
11	1	129945-18210	JOINT, RUBBER	1							
12	1	129945-18220	JOINT, RUBBER	1							
13	1	23000-054000	CLAMP, 54	3							
14	1	23000-070000	CLAMP, 70	1							
15	1	119129-77020	GASKET, AIR HEATER	1							
16	1	121850-77021	GASKET, AIR HEATER	1							
17	1	119005-77051	HEATER, AIR	1							
18	1	119129-77520	BEND, INLET	1							
19	1	26106-080402	BOLT, M8X 40 PLATED	2							
20	1	26106-080902	BOLT, M8X 90 PLATED	2							

Fig.7. EXHAUST MANIFOLD & SILENCER

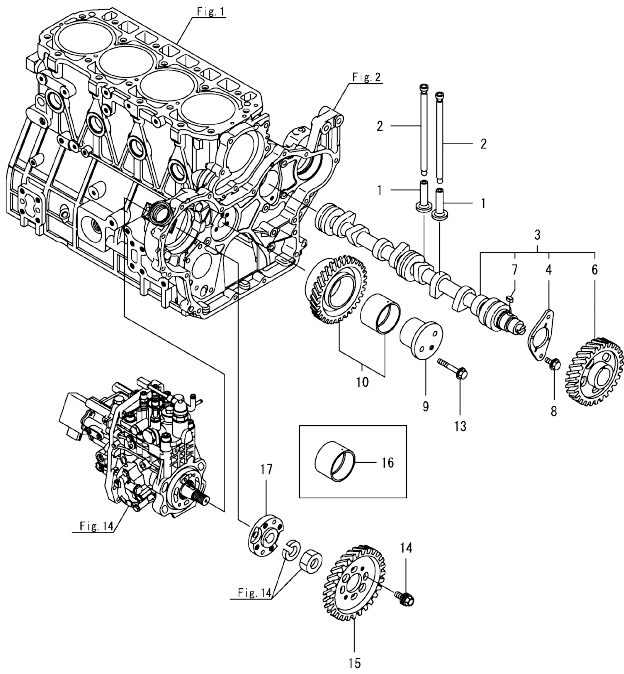


(A)=4TNV98T-ZGDG
(B)=
(C)=

(D)=
(E)=
(F)=

No.	Lev.	Parts No.	Description	Q'ty						I	R
				(A)	(B)	(C)	(D)	(E)	(F)		
1	1	129928-13150	MANIFOLD ASSY	1							
2	2	129928-13100	MANIFOLD, EXHAUST	1							
3	2	129418-18320	STUD, M8X20	2							
4	2	129418-18320	STUD, M8X20	4							
5	1	129900-13251	GASKET, MANIFOLD	1							
6	1	129E00-13640	BOLT, M8X80 10.9T	8							
7	1	129928-13400	COOLER ASSY, EGR	1							
8	1	129945-13410	GASKET, EGR PIPE	1							
9	1	129945-13410	GASKET, EGR PIPE	1							
10	1	119802-13791	BOLT, M8X25 10.9T	2							
11	1	129948-13800	PIPE, EGR INLET	1							
12	1	129945-13810	GASKET, EGR PIPE	1							
13	1	129948-13810	PIPE, EGR INLET	1							
14	1	26106-080352	BOLT, M8X 35 PLATED	1							
15	1	26106-080452	BOLT, M8X 45 PLATED	1							
16	1	26106-080552	BOLT, M8X 55 PLATED	2							
17	1	26106-100252	BOLT, M10X 25 PLATED	2							
18	1	26306-080002	NUT, M8	2							
19	1	129928-13900	VALVE, EGR	1							
20	1	129927-13910	GASKET, EGR	1							
21	1	129927-13920	GASKET, EGR	1							
22	1	26106-100402	BOLT, M10X 40 PLATED	1							
23	1	26106-101052	BOLT, M10X105 PLATED	1							

Fig.8. CAMSHAFT & DRIVING GEAR



(A)=4TNV98T-ZGDG
(B)=
(C)=

(D)=
(E)=
(F)=

No.	Lev.	Parts No.	Description	Q'ty						I	R
				(A)	(B)	(C)	(D)	(E)	(F)		
1	1	129150-14200	TAPPET	8							
2	1	129907-14400	ROD, PUSH	8							
3	1	129908-14581	CAMSHAFT ASSY	1							
4	2	129150-02450	METAL, THRUST	1							
6	2	129900-14100	GEAR, CAMSHAFT	1							
7	2	22512-070140	KEY, 7X 14	1							
8	1	26106-080142	BOLT, M8X 14 PLATED	2							
9	1	123900-25060	SHAFT, IDLE GEAR	1							
10	1	129927-25100	GEAR ASSY, IDLE	1							
13	1	26106-080552	BOLT, M8X 55 PLATED	3							
14	1	129953-25300	BOLT, PUMP BODY	4							
15	1	129907-25900	GEAR, PUMP	1							
16	1	129927-25920	BUSH, IDLE GEAR	1							1
17	1	158563-51150	FLANGE	1							

Remarks
(1)Spare parts.

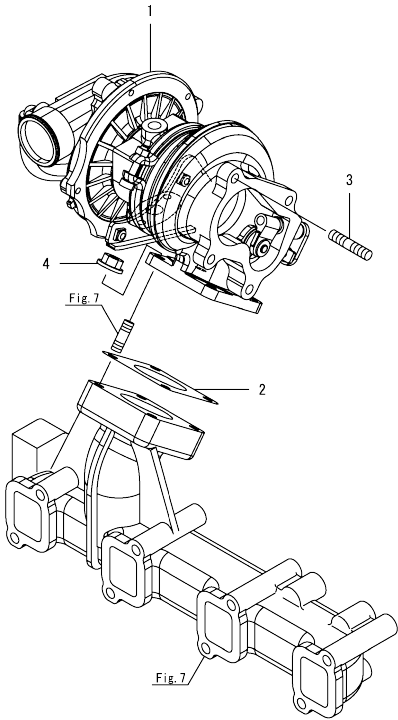
OCD50-M06190 ENGINE
 Fig.9. TURBINE

OCD50-M06190 Fig.9

(A)=4TNV98T-ZGDG
 (B)=
 (C)=

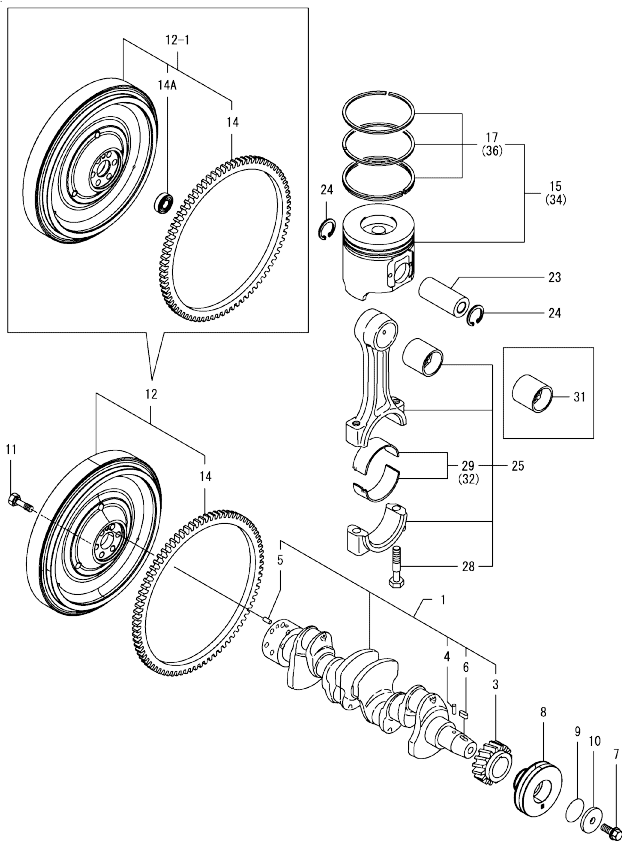
(D)=
 (E)=
 (F)=

No.	Lev.	Parts No.	Description	Q'ty						I	R
				(A)	(B)	(C)	(D)	(E)	(F)		
1	1	129945-18011	TURBOCHARGER, RHF5	1							
2	1	129945-18090	GASKET, TURBOCHARGER	1							
3	1	119131-18320	STUD, M8X22	4							
4	1	26306-080002	NUT, M8	4							



N:Old $\frac{100}{100}$ New, Q:Old $\frac{100}{100}$ New, R:Old $\frac{100}{100}$ New, S:Old $\frac{100}{100}$ New, W:Add, Z:Discontinued, F:Interchangeable by set, K:Q'ty Change
 Copyright (C) 2020 YANMAR GLOBAL CS CO., LTD. All Rights Reserved.

Fig.10. CRANKSHAFT & PISTON



(A)=4TNV98T-ZGDG
(B)=
(C)=

(D)=
(E)=
(F)=

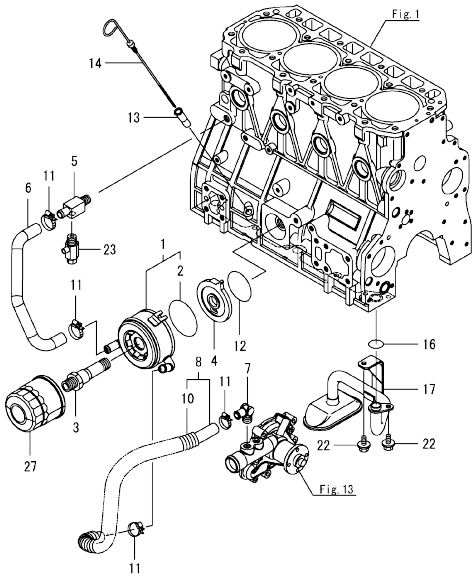
No.	Lev.	Parts No.	Description	Qty						I	R
				(A)	(B)	(C)	(D)	(E)	(F)		
1	1	129908-21000	CRANKSHAFT ASSY	1							
3	2	129900-21200	GEAR, CRANKSHAFT	1							
4	2	121850-21290	PIN, CRANK GEAR	1							
5	2	121850-21920	PIN, PARALLEL 10X22	1							
6	2	22512-070140	KEY, 7X 14	1							
7	1	129916-21610	BOLT, V-PULLEY	1							
8	1	129907-21660	V-PULLEY, CRANKSHAFT	1							
9	1	129960-21950	GASKET, WASHER	1							
10	1	129960-21940	WASHER, V-PULLEY	1							
11	1	121850-21130	BOLT, FLYWHEEL	6							
12	1	129920-21580	FLYWHEEL ASSY	1							
12-1	1	129945-21580	FLYWHEEL ASSY	1							N
(A=E167750)											
14	2	127410-21480	GEAR, RING Z=129	1							
14A	2	24107-062044	BEARING, BALL 6204ZZ	1							W
(A=E167750)											
15	1	129928-22080	PISTON ASSY	4							
17	2	129927-22050	RING SET, PISTON	4							
23	1	120130-22301	PIN, PISTON	4							
24	1	22252-000300	RING, 30	8							
25	1	129900-23001	ROD ASSY, CONNECTING	4							
28	2	129900-23200	BOLT, CONNECTING ROD	8							
29	2	129927-23600	BEARING ASSY, PIN	4							
31	1	129900-23911	METAL, PISTON PIN	4							1
32	1	129927-23610	BEARING ASSY, PIN US	4							2
34	1	729928-22900	PISTON ASSY, 0.25 OS	4							3
36	2	729927-22950	RING SET, PISTON .25	4							3

Remarks
(1) Spare parts.
(2) Under-sized (U.S.=0.25) parts.
(3) Over-sized (O.S.=0.25) parts.

Fig.11. LUB. OIL SYSTEM

(A)=4TNV98T-ZGDG
(B)=
(C)=

(D)=
(E)=
(F)=

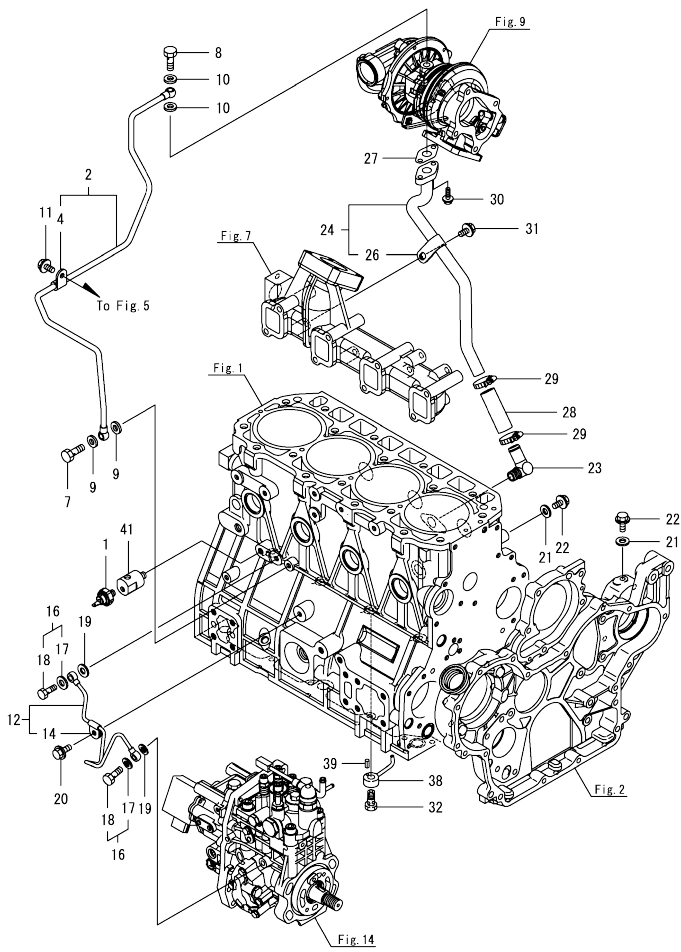


No.	Lev.	Parts No.	Description	Q'ty						I	R
				(A)	(B)	(C)	(D)	(E)	(F)		
1	1	129908-33010	COOLER ASSY, OIL	1							
2	2	123912-33050	O-RING	1							
3	1	123912-33100	BOLT, COOLER	1							
4	1	129908-33101	BRACKET, COOLER	1							
5	1	129006-44480	JOINT, R02	1							
6	1	129908-49060	HOSE, WATER	1							
7	1	129466-49300	ELBOW, PT3/8	1							
8	1	123910-49600	HOSE ASSY WATER	1							
10	2	123910-49610	TUBE, CORRUGATED	1							
11	1	23000-025000	CLAMP, 25	4							
12	1	24321-000600	O-RING, 1AG60.0	1							
13	1	121520-34810	GUIDE, DIPSTICK	1							
14	1	129953-34830	DIPSTICK, OIL	1							
16	1	129900-32030	O-RING, P20	1							
17	1	129953-35000	PIPE ASSY, OIL INLET	1							
22	1	26106-080122	BOLT, M8X 12 PLATED	2							
23	1	119620-49290	COCK ASSY	1							
27	1	129150-35153	FILTER ASSY, D80X80L	1							1

Remarks

(1)Spare parts.

Fig.12. LUB. OIL PIPE

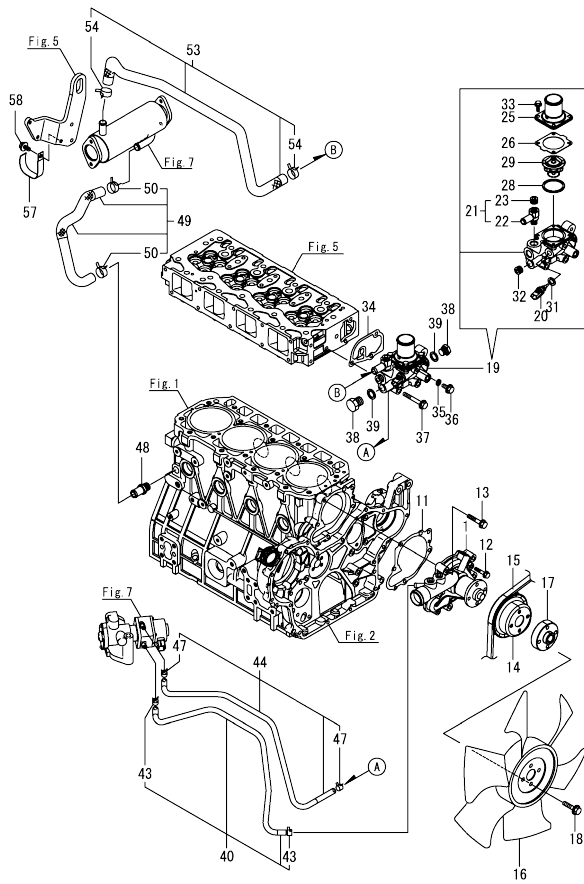


(A)=4TNV98T-ZGDG
(B)=
(C)=

(D)=
(E)=
(F)=

No.	Lev.	Parts No.	Description	Q'ty						I	R
				(A)	(B)	(C)	(D)	(E)	(F)		
1	1	119761-39450	SWITCH, HYDRAULIC	1							
2	1	129935-39040	PIPE ASSY, OIL	1							
4	2	124223-39900	RETAINER	1							
7	1	129198-59540	BOLT, PIPE JOINT M8	1							
8	1	121252-39150	BOLT, JOINT M10X1.5	1							
9	1	22190-080002	WASHER, SEAL 8	2							
10	1	23414-100000	GASKET, 10X1.0	2							
11	1	26106-080122	BOLT, M8X 12 PLATED	1							
12	1	129927-39060	PIPE ASSY, OIL	1							
14	2	123907-39500	RETAINER, PIPE	1							
16	1	129005-59830	BOLT ASSY, JOINT M8	2							
17	2	22190-080002	WASHER, SEAL 8	2							
18	2	23857-030000	BOLT, JOINT 3	2							
19	1	22190-080002	WASHER, SEAL 8	2							
20	1	26106-080122	BOLT, M8X 12 PLATED	1							
21	1	22190-080002	WASHER, SEAL 8	2							
22	1	26106-080122	BOLT, M8X 12 PLATED	2							
23	1	124070-13300	ELBOW, PT3/8	1							
24	1	129935-39610	PIPE, OIL RETURN	1							
26	2	123910-39850	RETAINER	1							
27	1	129908-39690	GASKET, RETURN PIPE	1							
28	1	123901-39820	HOSE, OIL RETURN	1							
29	1	23000-025000	CLAMP, 25	2							
30	1	26106-060162	BOLT, M6X 16 PLATED	2							
31	1	26106-080122	BOLT, M8X 12 PLATED	1							
32	1	129908-39410	VALVE ASSY, CHECK	4							
38	1	119000-39650	NOZZLE, COOLING	4							
39	1	22351-030010	PIN, SPRING 3.0X10	4							
41	1	171375-39601	DAMPER(1/8	1							

Fig.13. COOLING WATER SYSTEM



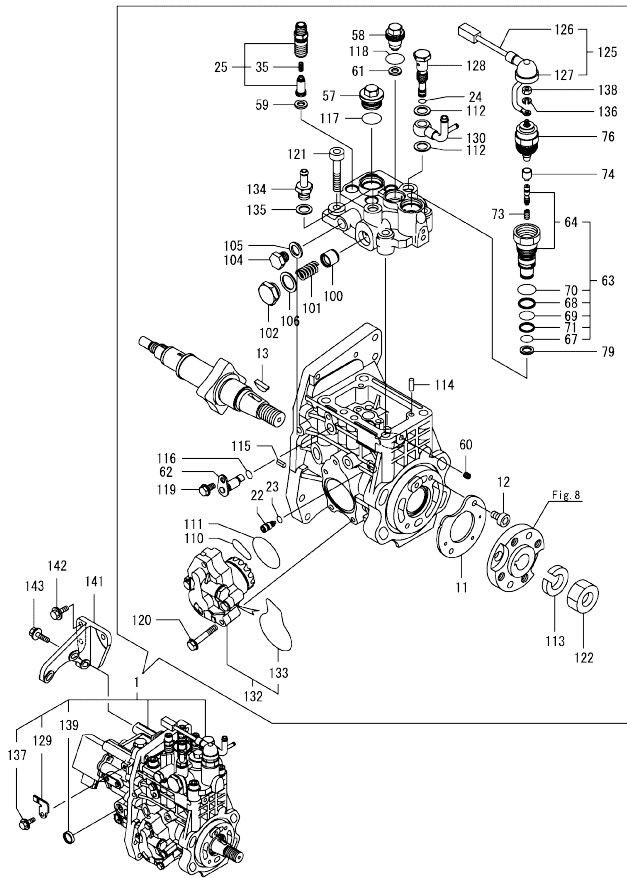
(A)=4TNV98T-ZGDG
(B)=
(C)=

(D)=
(E)=
(F)=

No.	Lev.	Parts No.	Description	Q'ty						I	R
				(A)	(B)	(C)	(D)	(E)	(F)		
1	1	129927-42002	PUMP ASSY, WATER	1							
11	1	129900-42020	GASKET, WATER PUMP	1							
12	1	26106-060302	BOLT, M6X 30 PLATED	2							
13	1	26106-080552	BOLT, M8X 55 PLATED	5							
14	1	129900-42462	V-PULLEY, PUMP	1							
15	1	129940-42320	V-BELT, A41.0	1							
16	1	129916-44740	FAN, COOLING D=430	1							
17	1	119130-44760	SPACER, FAN	1							
18	1	26106-080302	BOLT, M8X 30 PLATED	4							
19	1	129928-49800	CASE ASSY,THERMOSTAT	1							
20	2	129927-44900	SENSOR, TEMPERATURE	1							
21	2	129928-49400	JOINT ASSY	1							
22	3	129928-49410	JOINT	1							
23	3	23875-030000	PLUG, R03	1							
25	2	129916-49530	COVER, THERMOSTAT	1							
26	2	121850-49540	GASKET, THERMOSTAT	1							
28	2	121850-49550	GASKET, THERMOSTAT	1							
29	2	121850-49811	THERMOSTAT, 71C	1							
31	2	22190-120002	WASHER, SEAL 12	1							
32	2	23875-030000	PLUG, R03	1							
33	2	26106-060202	BOLT, M6X 20 PLATED	4							
34	1	129900-49870	GASKET, THERMOSTAT	1							
35	1	23414-080000	GASKET, 8X1.0	1							
36	1	26106-080122	BOLT, M8X 12 PLATED	1							
37	1	26106-080602	BOLT, M8X 60 PLATED	3							
38	1	121450-42450	PLUG, M16	2							
39	1	124465-44950	GASKET, 16	2							
40	1	129927-49610	HOSE ASSY, WATER A	1							
43	2	23080-012000	CLAMP, 12	2							
44	1	129927-49620	HOSE ASSY, WATER B	1							
47	2	23080-012000	CLAMP, 12	2							
48	1	129928-49420	JOINT	1							
49	1	129948-49610	HOSE, COOLER INLET	1							
50	2	129960-03990	CLAMP, HOSE 19.8	2							
53	1	129948-49620	HOSE, COOLER OUTLET	1							
54	2	129960-03990	CLAMP, HOSE 19.8	2							
57	1	129928-79700	CLAMP, 150-M8	1							
58	1	26106-080122	BOLT, M8X 12 PLATED	1							

N:Old $\frac{100}{100}$ New, Q:Old $\frac{100}{100}$ New, R:Old $\frac{100}{100}$ New, S:Old $\frac{100}{100}$ New, W:Add, Z:Discontinued, F:Interchangeable by set, K:Q'ty Change
Copyright (C) 2020 YANMAR GLOBAL CS CO., LTD. All Rights Reserved.

Fig.14. FUEL INJECTION PUMP



(A)=4TNV98T-ZGDG
(B)=
(C)=

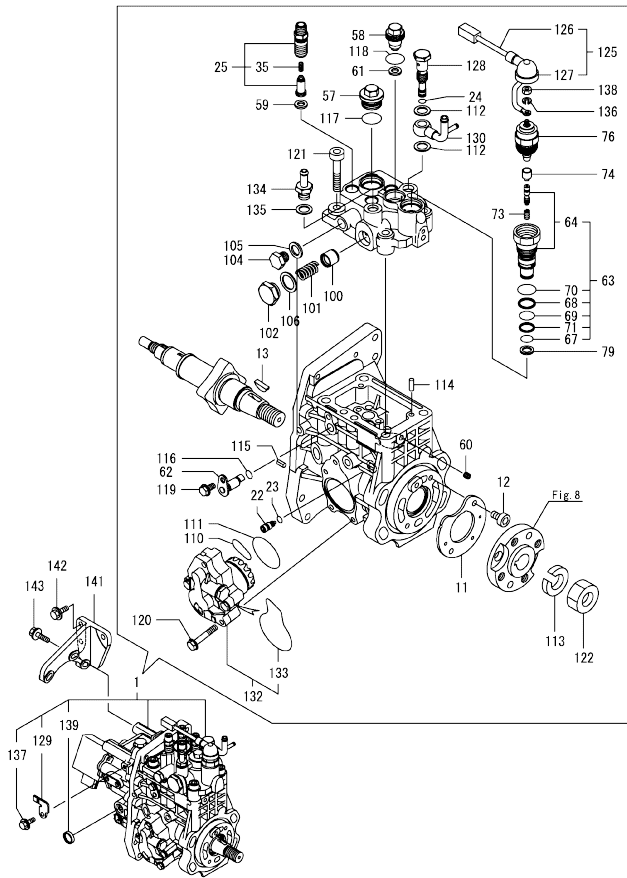
(D)=
(E)=
(F)=

No.	Lev.	Parts No.	Description	Q'ty						I	R	
				(A)	(B)	(C)	(D)	(E)	(F)			
1	1	729945-51390	PUMP ASSY, INJECTION	1							1	
11	2	129928-51900	COVER, OIL	1								
12	2	129008-51920	BOLT, M6X10	2								
13	2	144626-51090	KEY, FEATHER 5X19	1								
22	2	158600-51270	STOPPER, TAPPET	1								
23	2	158563-51281	O-RING, 4D S6	1								
24	2	158563-51281	O-RING, 4D S6	1								
25	2	129928-51390	VALVE ASSY, DELIVERY	4								
35	3	158563-51330	SPRING, DELIVERY	4								
57	2	158601-51550	PLUG, M22	1								
58	2	129907-51560	PLUG, M16	1								
59	2	158552-51571	GASKET, BARREL PLUG	4								
60	2	158557-51570	PLUG, RACK	1								
61	2	129906-51580	GASKET, BARREL PLUG	1								
62	2	158552-51580	LIFTER, LINK	1								
63	2	129657-51590	TIMER ASSY	1								
64	3	129657-51600	TIMER ASSY	1								
67	3	158553-51670	O-RING, PUMP TIMER	1								
68	3	119802-51680	RING, BACKUP	1								
69	3	119802-51690	O-RING, 1016	1								
70	3	24356-190200	O-RING, 4D19020	1								
71	3	24372-000150	RING, BACK UP T2P15	1								
73	2	119852-51630	SPRING, TIMER	1								
74	2	119852-51640	CAP, TIMER	1								
76	2	119852-51650	VALVE ASSY, SOLENOID	1								
79	2	158553-51680	GASKET, TIMER	1								
100	2	158601-51770	PISTON, ACCUMULATOR	1								
101	2	158552-51781	SPRING, ACCUMULATOR	1								
102	2	158601-51790	PLUG, ACCUMULATOR	1								
104	2	158553-51930	PLUG, M12	1								
105	2	22190-120002	WASHER, SEAL 12	1								
106	2	22190-180002	WASHER, SEAL 18	1								
110	2	158552-52311	O-RING, FEED PUMP	1								
111	2	158552-52400	O-RING, 4E S42	1								
112	2	22190-120002	WASHER, SEAL 12	2								
113	2	22217-180000	WASHER, SPRING 18	1								
114	2	22312-050140	PIN, PARALLEL 5X14	2								
115	2	22351-050010	PIN, SPRING 5.0X10	2								
116	2	24311-000070	O-RING, 1AP7.0	1								
117	2	24356-190200	O-RING, 4D19020	1								
118	2	24356-240210	O-RING, 4D24021	1								
119	2	26106-060102	BOLT, M6X 10 PLATED	1								
120	2	26106-060352	BOLT, M6X 35 PLATED	4								
121	2	26450-100452	BOLT, M10X 45	4								
122	2	26776-180002	NUT, LOCK M18	1								
125	2	129927-51650	HARNES ASSY, WIRE	1								
126	3	129927-51660	HARNES	1								
127	3	129263-77941	CAP, RUBBER	1								
128	2	158601-51650	JOINT, OVERFLOW	1								
129	2	129927-51670	BRACKET	1								
130	2	158552-51670	JOINT, OVERFLOW	1								

Remarks

(1)Governor(Fig.15) is incorporated in this Fuel Injection Pump(No.1).

Fig.14. FUEL INJECTION PUMP



(A)=4TNV98T-ZGDG
(B)=
(C)=

(D)=
(E)=
(F)=

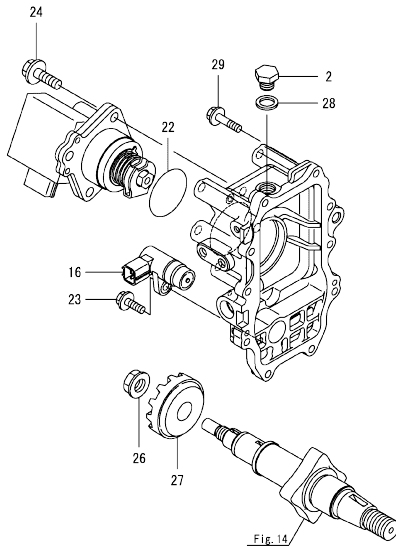
No.	Lev.	Parts No.	Description	Q'ty					
				(A)	(B)	(C)	(D)	(E)	(F)
132	2	158552-52100	PUMP ASSY, FUEL FEED	1					
133	3	158552-52500	O-RING, PUMP INNER	1					
134	2	119934-59910	JOINT, PIPE	1					
135	2	22190-120002	WASHER, SEAL 12	1					
136	2	22217-050000	WASHER, SPRING 5	1					
137	2	26106-060122	BOLT, M6X 12 PLATED	1					
138	2	26716-050002	NUT, M5	1					
139	2	27241-160000	PLUG, 16	1					
141	1	129927-51250	RETAINER, FUEL PUMP	1					
142	1	26106-080202	BOLT, M8X 20 PLATED	3					
143	1	26106-080302	BOLT, M8X 30 PLATED	3					

Remarks

(1)Governor(Fig.15) is incorporated in this Fuel Injection Pump(No.1).

OCD50-M06190 ENGINE
Fig.15. GOVERNOR

OCD50-M06190 Fig.15



(A)=4TNV98T-ZGDG
 (B)=
 (C)=

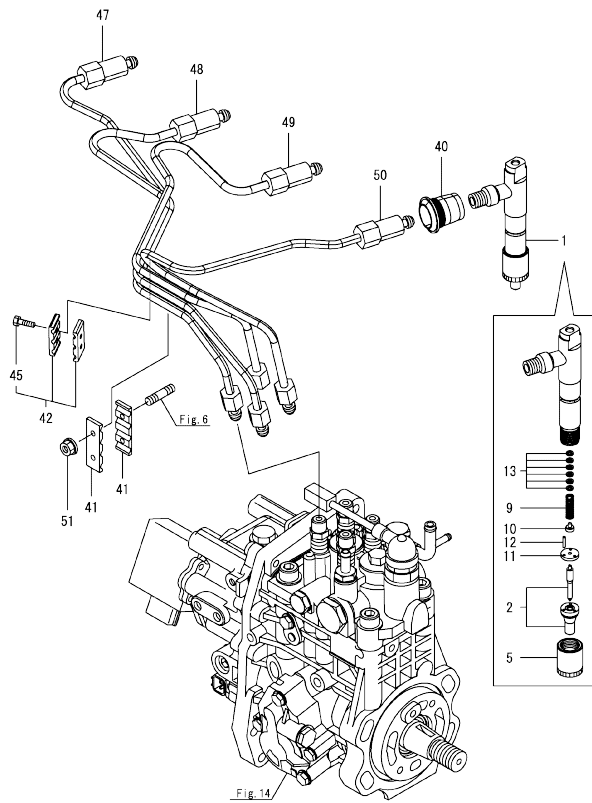
(D)=
 (E)=
 (F)=

No.	Lev.	Parts No.	Description	Q'ty						I	R
				(A)	(B)	(C)	(D)	(E)	(F)		
2	2	158553-51930	PLUG, M12	1							
16	2	158557-61720	SENSOR, ROTATION	1							
22	2	24341-000480	O-RING, 1AS48.0	1							
23	2	26106-060162	BOLT, M6X 16 PLATED	1							
24	2	26106-080252	BOLT, M8X 25 PLATED	3							
26	2	129008-61301	NUT, SUPPORT	1							
27	2	158553-61780	GEAR, SENSOR	1							
28	2	22190-120002	WASHER, SEAL 12	1							
29	2	26106-060252	BOLT, M6X 25 PLATED	10							

Remarks

* This figure(Governor) is incorporated in the Fuel Injection Pump(Fig.14).

Fig.16. FUEL INJECTION VALVE



(A)=4TNV98T-ZGDG
(B)=
(C)=

(D)=
(E)=
(F)=

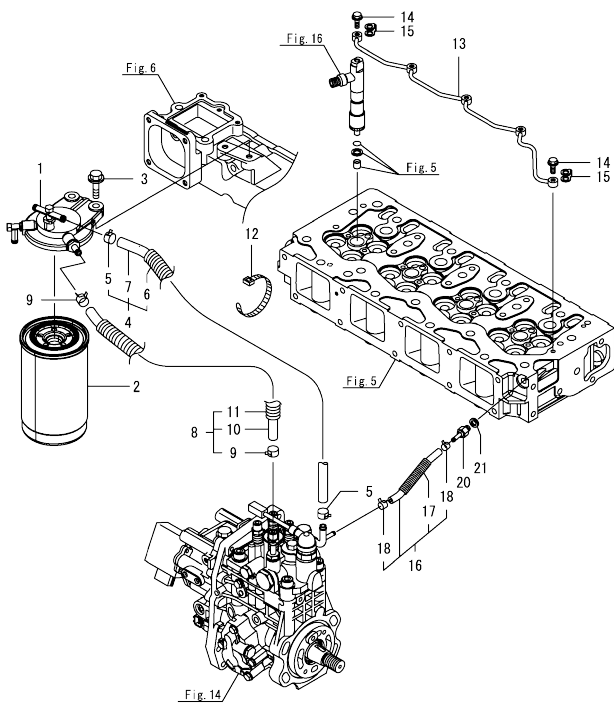
No.	Lev.	Parts No.	Description	Q'ty						I	R
				(A)	(B)	(C)	(D)	(E)	(F)		
1	1	729928-53200	VALVE ASSY,INJECTION	4							
2	2	129509-53000	VALVE ASSY,INJECTION	4							
5	2	114250-53080	NUT, NOZZLE	4							
9	2	114250-53120	SPRING, NOZZLE	4							
10	2	114250-53130	SEAT, SPRING	4							
11	2	114250-53140	SPACER, VALVE STOP	4							
12	2	114250-53210	PIN, POSITIONING	8							
13	2	119803-53400	SHIM SET	4							1
40	1	123907-11601	SEAL, PIPE	4							
41	1	123472-59120	RETAINER, PIPE	2							
42	1	129150-59120	RETAINER, PIPE	1							
45	2	129150-59131	BOLT, M4X14	2							
47	1	129927-59810	PIPE ASSY, INJECTION	1							
48	1	129927-59820	PIPE ASSY, INJECTION	1							
49	1	129927-59830	PIPE ASSY, INJECTION	1							
50	1	129927-59840	PIPE ASSY, INJECTION	1							
51	1	26366-060002	NUT, M6	2							

Remarks

(1)Spare parts.

OCD50-M06190 ENGINE
 Fig.17. FUEL PIPE

OCD50-M06190 Fig.17

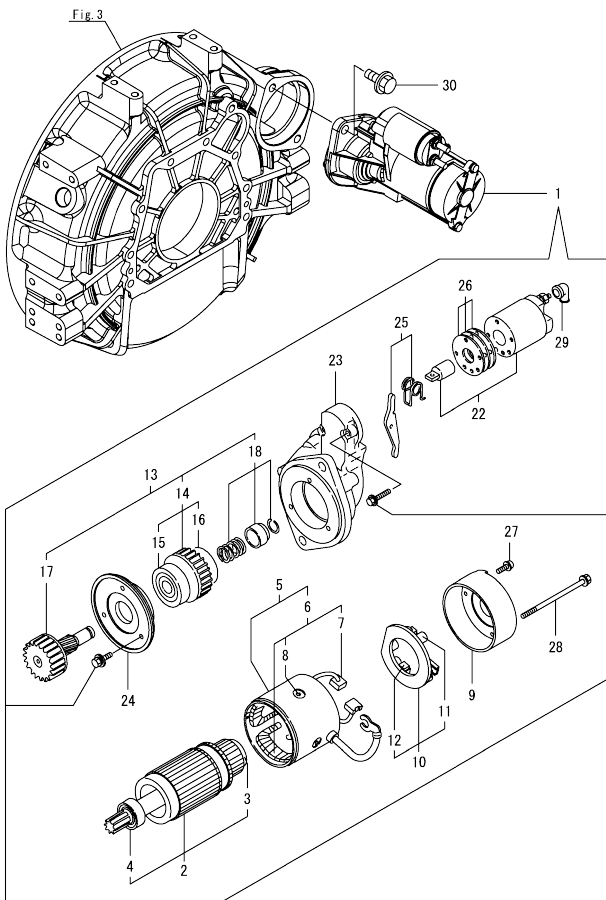


(A)=4TNV98T-ZGDG
 (B)=
 (C)=

(D)=
 (E)=
 (F)=

No.	Lev.	Parts No.	Description	Q'ty						I	R
				(A)	(B)	(C)	(D)	(E)	(F)		
1	1	129004-55612	BRACKET, FILTER	1							
2	1	123907-55801	FILTER, FUEL	1							
3	1	26106-080302	BOLT, M8X 30 PLATED	2							
4	1	129457-59010	HOSE ASSY, FUEL	1							
5	2	124766-59050	CLAMP, HOSE 11.5	2							
6	2	129957-59120	TUBE, CORRUGATED 15	1							
7	2	105025-59750	HOSE, FUEL	1							
8	1	129961-59310	HOSE ASSY, FUEL	1							
9	2	124766-59050	CLAMP, HOSE 11.5	2							
10	2	129136-59110	HOSE, D13/7.5X270	1							
11	2	129961-59110	TUBE, CORRUGATED 15	1							
12	1	121750-59890	BAND, NYLON	1							
13	1	129907-59140	PIPE ASSY, RETURN	1							
14	1	123907-59540	BOLT, PIPE JOINT M6	5							
15	1	123907-59550	GASKET, FUEL RETURN	5							
16	1	129927-59550	HOSE ASSY RETURN	1							
17	2	129263-49750	TUBE, CORRUGATED	1							
18	2	124722-59050	CLAMP, HOSE 9	2							
20	1	123907-59560	JOINT, HOSE	1							
21	1	22190-080002	WASHER, SEAL 8	1							

Fig.18. STARTER MOTOR

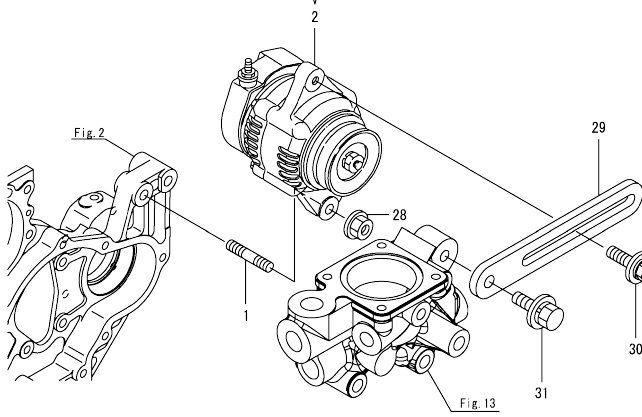
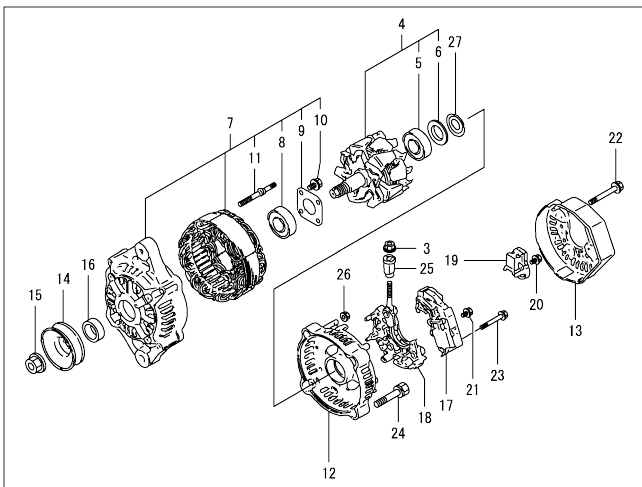


(A)=4TNV98T-ZGDG
(B)=
(C)=

(D)=
(E)=
(F)=

No.	Lev.	Parts No.	Description	Q'ty						I	R
				(A)	(B)	(C)	(D)	(E)	(F)		
1	1	129900-77040	STARTER, 12V 2.3KW	1							
2	2	129900-77120	ARMATURE ASSY	1							
3	3	171008-77410	BEARING, BALL 1	1							
4	3	171008-77420	BEARING, BALL 2	1							
5	2	129900-77130	YOKE ASSY	1							
6	3	129900-77140	COIL ASSY, FIELD	1							
7	4	129900-77450	BRUSH, +	2							
8	4	171008-77450	SCREW, CORE SET	4							
9	2	129900-77150	COVER, REAR	1							
10	2	129900-77160	HOLDER ASSY, BRUSH	1							
11	3	X2130631300	SPRING, BRUSH	4							
12	3	129900-77450	BRUSH, +	2							
13	2	129900-77170	CLUTCH ASSY, PINION	1							
14	3	129900-77180	CLUTCH ASSY	1							
15	4	129900-77190	BEARING, BALL 4	1							
16	4	X2114955020	BEARING, BALL	1							
17	3	129900-77270	SHAFT, PINION	1							
18	3	171008-77670	STOPPER SET, PINION	1							
22	2	129900-77280	SWITCH ASSY, MAGNET	1							
23	2	129900-77290	CASE, GEAR	1							
24	2	129900-77380	RETAINER, BEARING	1							
25	2	129900-77390	LEVER ASSY, SHIFT	1							
26	2	129900-77420	COVER KIT, DUST	1							
27	2	129900-77430	SCREW, M4X10	2							
28	2	129685-77640	BOLT, THROUGH	2							
29	2	171008-77750	COVER, TERMINAL	1							
30	1	26106-120252	BOLT, M12X 25 PLATED	2							

Fig.19. GENERATOR

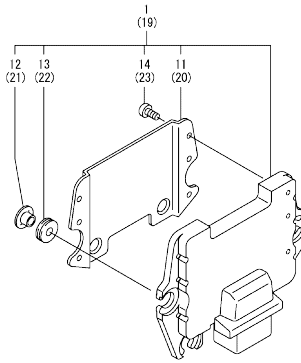


(A)=4TNV98T-ZGDG
(B)=
(C)=

(D)=
(E)=
(F)=

No.	Lev.	Parts No.	Description	Q'ty						I	R
				(A)	(B)	(C)	(D)	(E)	(F)		
1	1	129795-01900	BOLT, M10X30	1							
2	1	129423-77210	ALTERNATOR, 12V-40A	1							
3	2	129240-79310	NUT	1							
4	2	119620-77380	ROTOR ASSY	1							
5	3	123501-79240	BEARING, BALL	1							
6	3	119620-79250	COVER, BEARING	1							
7	2	119620-77421	FRAME ASSY, DRIVE	1							
8	3	119620-79200	BEARING, BALL	1							
9	3	119620-79210	PLATE, RETAINER	1							
10	3	119620-79220	SCREW	4							
11	3	119620-79230	STUD	2							
12	2	119620-77440	FRAME ASSY, REAR	1							
13	2	129240-79300	COVER	1							
14	2	119620-77461	PULLEY, GENERATOR	1							
15	2	119620-77471	NUT	1							
16	2	119620-77490	COLLAR	1							
17	2	129423-77730	REGULATOR ASSY	1							
18	2	119620-79260	HOLDER ASSY	1							
19	2	129052-79270	HOLDER ASSY, BRUSH	1							
20	2	119620-79290	SCREW	6							
21	2	119620-79300	SCREW	1							
22	2	119620-79310	BOLT	3							
23	2	119620-79320	SCREW, W/WASHER	2							
24	2	119620-79330	BOLT	2							
25	2	119620-79340	BUSH, INSULATION	1							
26	2	119620-79350	NUT	2							
27	2	119620-79360	WASHER, THRUST	1							
28	1	26306-100002	NUT, M10	1							
29	1	129988-77330	ADJUSTER, BELT	1							
30	1	119810-77340	BOLT, ADJUSTER L=30	1							
31	1	26014-080252	BOLT, M8X 25	1							

Fig.20. ELECTRONIC CONTROL UNIT(ECU)



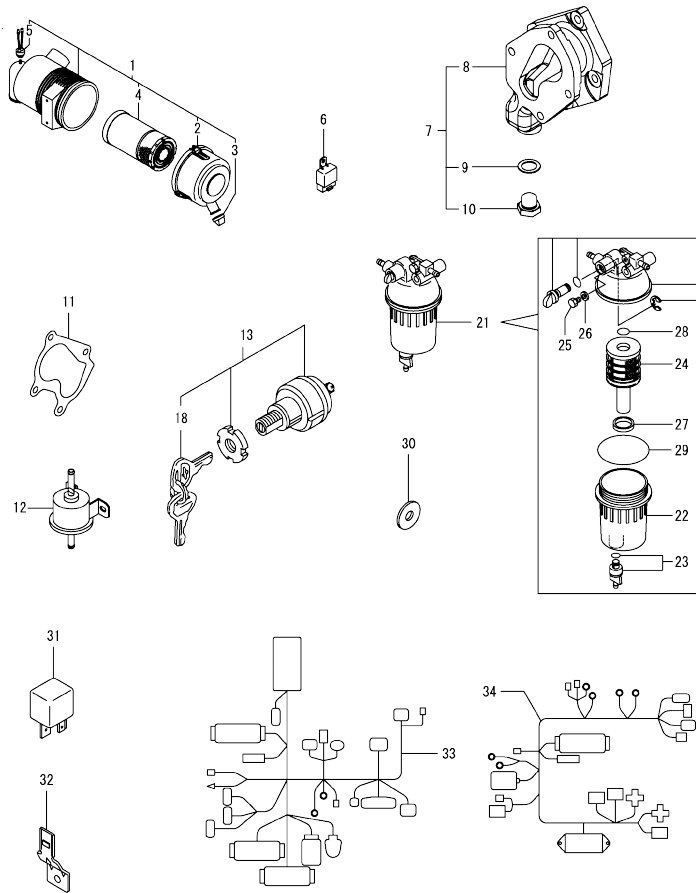
(A)=4TNV98T-ZGDG
(B)=
(C)=

(D)=
(E)=
(F)=

No.	Lev.	Parts No.	Description	Q'ty						I	R
				(A)	(B)	(C)	(D)	(E)	(F)		
1	1	129945-75130	ECU ASSY, 4-98T-ZGDG	1							1
11	2	129927-77600	SHIELD, ECU	1							
12	2	129927-77680	COLLAR, CONTROLLER	3							
13	2	119578-91351	RUBBER, CONTROLLER	3							
14	2	22877-500080	SCREW, 5X 8	6							
19	1	129927-75901	ECU ASSY, SERVICE	1							2
20	2	129927-77600	SHIELD, ECU	1							
21	2	129927-77680	COLLAR, CONTROLLER	3							
22	2	119578-91351	RUBBER, CONTROLLER	3							
23	2	22877-500080	SCREW, 5X 8	6							

Remarks
 (1)Eco ECU
 This part cannot be ordered.
 Replace the part using a Service ECU with the proper engine information installed.
 (2)Service ECU
 When replacing this part, it is necessary to update the software of the ECU using the designated service tool.
 Please refer to the Service Manual for details.

Fig.21. ACCESSORY

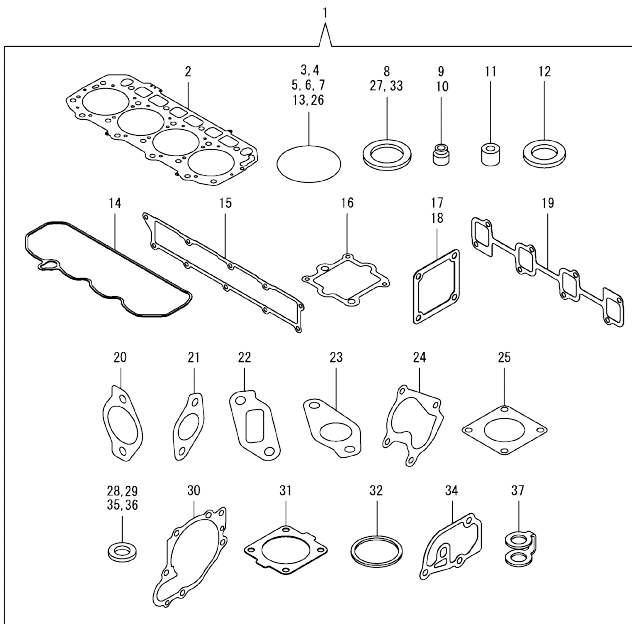


(A)=4TNV98T-ZGDG
(B)=
(C)=

(D)=
(E)=
(F)=

No.	Lev.	Parts No.	Description	Q'ty						I	R
				(A)	(B)	(C)	(D)	(E)	(F)		
1	1	129933-12520	CLEANER ASSY, AIR	1							
2	2	119160-12530	COVER, AIR CLEANER	1							
3	2	119160-12540	VALVE, VACUATOR	1							
4	2	119160-12560	ELEMENT, OUTER	1							
5	2	119140-12680	INDICATOR	1							
6	1	172B02-17150	RELAY, CA TYPE C	3							
7	1	129945-18050	SPACER, EXH. OUT. CMP	1							
8	2	129945-18040	SPACER, EXH. OUT.	1							
9	2	23414-160000	GASKET, 16 X 1.0	1							
10	2	23887-160002	PLUG, 16	1							
11	1	129945-18080	GASKET	2							
12	1	119225-52102	PUMP, FUEL FEED	1							
13	1	194215-52110	SWITCH ASSY, START	1							
18	2	194155-52160	KEY ASSY	1							
21	1	129242-55701	SEPARATOR ASSY, WATER	1							
22	2	129242-55720	CUP, SEPARATOR	1							
23	2	129242-55730	ELEMENT, FUEL FILTER	1							
24	2	129242-55740	PLUG, DRAIN	1							
25	2	129242-55750	VALVE, AIR VENT	1							
26	2	129242-55760	GASKET, PLUG	1							
27	2	129242-55770	FLOAT	1							
28	2	24311-000160	O-RING, 1AP16.0	1							
29	2	24321-000750	O-RING, 1AG75.0	1							
30	1	129927-77690	WASHER, ECU	3							
31	1	129927-77920	RELAY, ISO 70A	2							
32	1	129927-77910	BRACKET, CONNECTOR	2							
33	1	129927-91040	HARNESS 2G-ECU	1							
34	1	129927-91050	HARNESS ECU-POWER	1							

Fig.22. GASKET SET



(A)=4TNV98T-ZGDG
(B)=
(C)=

(D)=
(E)=
(F)=

No.	Lev.	Parts No.	Description	Qty						I	R	
				(A)	(B)	(C)	(D)	(E)	(F)			
1	1	729928-92690	GASKET SET	1							1	
2	2	129907-01331	GASKET, HEAD	1								
3	2	129900-32030	O-RING, P20	2								
4	2	129900-32040	O-RING, P14	1								
5	2	24311-000070	O-RING, 1AP7.0	1								
6	2	24351-030750	O-RING, 1A3075	1								
7	2	24311-000320	O-RING, 1AP32.0	2								
8	2	22190-220002	WASHER, SEAL 22	1								
9	2	119803-11340	SEAL, VALVE STEM	8								
10	2	124160-11340	SEAL, VALVE STEM	8								
11	2	119802-11870	PROTECTOR, NOZZLE	4								
12	2	119625-11880	SEAT, NOZZLE	4								
13	2	24311-000120	O-RING, 1AP12.0	8								
14	2	129933-11310	GASKET, BONNET	1								
15	2	129907-12110	GASKET, MANIFOLD	1								
16	2	129928-13720	GASKET, EGR-V SPACER	1								
17	2	119129-77020	GASKET, AIR HEATER	1								
18	2	121850-77021	GASKET, AIR HEATER	1								
19	2	129900-13251	GASKET, MANIFOLD	1								
20	2	129928-13410	GASKET, EGR COOLER	2								
21	2	129927-13810	GASKET, EGR PIPE	1								
22	2	129927-13910	GASKET, EGR	1								
23	2	129927-13920	GASKET, EGR	1								
24	2	123901-18080	GASKET, TURBINE OUT	1								
25	2	129472-18090	GASKET, TURBINE IN	1								
26	2	24321-000600	O-RING, 1AG60.0	1								
27	2	22190-080002	WASHER, SEAL 8	9								
28	2	23414-100000	GASKET, 10X1.0	2								
29	2	129908-39690	GASKET, RETURN PIPE	1								
30	2	129900-42020	GASKET, WATER PUMP	1								
31	2	121850-49540	GASKET, THERMOSTAT	1								
32	2	121850-49550	GASKET, THERMOSTAT	1								
33	2	22190-120002	WASHER, SEAL 12	1								
34	2	129900-49870	GASKET, THERMOSTAT	1								
35	2	23414-080000	GASKET, 8X1.0	1								
36	2	124465-44950	GASKET, 16	2								
37	2	123907-59550	GASKET, FUEL RETURN	5								

Remarks

(1)Optional parts.

Parts No. Index

Parts No.	Fig. No.	Ref. No.	Parts No.	Fig. No.	Ref. No.	Parts No.	Fig. No.	Ref. No.	Parts No.	Fig. No.	Ref. No.
105025-59750	17	7	119802-11870	22	11	123910-49600	11	8	129418-18320	7	3
114250-53080	16	5	119802-13791	7	10	123910-49610	11	10			4
114250-53120	16	9	119802-51680	14	68	123912-33050	11	2	129423-77210	19	2
114250-53130	16	10	119802-51690	14	69	123912-33100	11	3	129423-77730	19	17
114250-53140	16	11	119803-11340	5	15	124070-13300	12	23	129457-59010	17	4
114250-53210	16	12		22	9	124160-01751	2	24	129466-49300	11	7
119000-01840	3	3	119803-53400	16	13		5	49	129472-18090	22	25
119000-39650	12	38	119810-77340	19	30	124160-11340	5	16	129509-53000	16	2
119005-77051	6	17	119852-51630	14	73		22	10	129509-79700	5	62
119100-11330	5	60	119852-51640	14	74	124160-11360	5	67	129657-51590	14	63
119129-77020	6	15	119852-51650	14	76	124223-39900	12	4	129657-51600	14	64
	22	17	119934-59910	14	134	124465-44950	13	39	129685-77640	18	28
119129-77520	6	18	120130-22301	10	23		22	36	129795-01900	19	1
119130-44760	13	17	121023-01551	2	42	124722-59050	17	18	129900-01200	1	27
119131-18320	9	3	121027-11743	2	40	124766-59050	17	5	129900-01250	1	4
119140-12680	21	5	121252-39150	12	8			9	129900-01850	2	35
119160-12530	21	2	121450-42450	13	38	127410-21480	10	14	129900-01870	2	36
119160-12540	21	3	121520-34810	11	13	129004-55612	17	1	129900-02020	1	6
119160-12560	21	4	121750-59890	17	12	129005-59830	12	16	129900-02410	1	9
119225-52102	21	12	121850-21130	10	11	129006-44480	11	5	129900-02410	7	5
119578-91351	20	13	121850-21920	10	4	129008-51920	14	12	129900-13251	22	19
		22	121850-21920	10	5	129008-61301	15	26	129900-14100	8	6
119593-11301	5	29	121850-49540	13	26	129009-11340	5	61	129900-21200	10	3
119620-11180	5	14		22	31	129052-79270	19	19	129900-23001	10	25
119620-49290	11	23	121850-49550	13	28	129100-01580	2	1	129900-23200	10	28
119620-77380	19	4		22	32		3	1	129900-23911	10	31
119620-77421	19	7	121850-49811	13	29	129136-59110	17	10	129900-29100	2	17
119620-77440	19	12	121850-77021	6	16	129150-02450	8	4	129900-32030	11	16
119620-77461	19	14		22	18	129150-11230	5	37		22	3
119620-77471	19	15	123472-59120	16	41			41	129900-32040	2	18
119620-77490	19	16	123501-79240	19	5	129150-11750	5	19		22	4
119620-79200	19	8	123900-25060	8	9			38	129900-42020	13	11
119620-79210	19	9	123901-18080	22	24			42		22	30
119620-79220	19	10	123901-39820	12	28	129150-14200	8	1	129900-42462	13	14
119620-79230	19	11	123907-03100	5	54	129150-35153	11	27	129900-49870	13	34
119620-79250	19	6	123907-03110	5	55	129150-59120	16	42		22	34
119620-79260	19	18	123907-03120	5	56	129150-59131	16	45	129900-77040	18	1
119620-79290	19	20	123907-03140	5	57	129198-59540	12	7	129900-77120	18	2
119620-79300	19	21	123907-11280	5	34	129240-79300	19	13	129900-77130	18	5
119620-79310	19	22	123907-11550	5	1	129240-79310	19	3	129900-77140	18	6
119620-79320	19	23	123907-11601	16	40	129242-55701	21	21	129900-77150	18	9
119620-79330	19	24	123907-11820	5	21	129242-55720	21	22	129900-77160	18	10
119620-79340	19	25	123907-11830	5	20	129242-55730	21	23	129900-77170	18	13
119620-79350	19	26	123907-39500	12	14	129242-55740	21	24	129900-77180	18	14
119620-79360	19	27	123907-55801	17	2	129242-55750	21	25	129900-77190	18	15
119625-11880	5	25	123907-59540	17	14	129242-55760	21	26	129900-77270	18	17
	22	12	123907-59550	17	15	129242-55770	21	27	129900-77280	18	22
119640-01640	3	7		22	37	129263-49750	17	17	129900-77290	18	23
119761-39450	12	1	123907-59560	17	20	129263-77941	14	127	129900-77380	18	24
119802-11870	5	24	123910-39850	12	26	129410-03990	4	15	129900-77390	18	25

Parts No. Index

Parts No.	Fig. No.	Ref. No.
129900-77420	18	26
129900-77430	18	27
129900-77450	18	7
	12	
129906-51580	14	61
129907-01331	1	28
	22	2
129907-03011	5	51
129907-03061	5	52
129907-03070	5	53
129907-07900	5	70
129907-11100	5	11
129907-11110	5	12
129907-11120	5	13
129907-11250	5	31
129907-11260	5	32
129907-11270	5	33
129907-11341	5	30
129907-11510	5	17
129907-11650	5	35
129907-11660	5	39
129907-11800	5	74
129907-11920	5	43
129907-11950	5	27
129907-11960	5	26
129907-12110	6	1
	22	15
129907-14400	8	2
129907-21660	10	8
129907-25900	8	15
129907-51560	14	58
129907-59140	17	13
129908-14581	8	3
129908-21000	10	1
129908-32060	2	4
129908-33010	11	1
129908-33101	11	4
129908-39410	12	32
129908-39690	12	27
	22	29
129908-49060	11	6
129915-01610	3	2
129916-01790	3	5
129916-01800	2	34
129916-21610	10	7
129916-44740	13	16
129916-49530	13	25
129920-21580	10	12
129927-02340	1	33
129927-02930	1	24

Parts No.	Fig. No.	Ref. No.
129927-02940	1	36
129927-13810	22	21
129927-13910	7	20
	22	22
129927-13920	7	21
	22	23
129927-22050	10	17
129927-23600	10	29
129927-23610	10	32
129927-25100	8	10
129927-25920	8	16
129927-39060	12	12
129927-42002	13	1
129927-42140	2	27
129927-44900	13	20
129927-49610	13	40
129927-49620	13	44
129927-51250	14	141
129927-51650	14	125
129927-51660	14	126
129927-51670	14	129
129927-59550	17	16
129927-59810	16	47
129927-59820	16	48
129927-59830	16	49
129927-59840	16	50
129927-75901	20	19
129927-77600	20	11
	20	20
129927-77680	20	12
	21	21
129927-77690	21	30
129927-77910	21	32
129927-77920	21	31
129927-91040	21	33
129927-91050	21	34
129928-11700	5	2
129928-12100	6	3
129928-13100	7	2
129928-13150	7	1
129928-13400	7	7
129928-13410	22	20
129928-13710	6	4
129928-13720	6	5
	22	16
129928-13900	7	19
129928-18200	6	10
129928-22080	10	15
129928-49400	13	21
129928-49410	13	22

Parts No.	Fig. No.	Ref. No.
129928-49420	13	48
129928-49800	13	19
129928-51390	14	25
129928-51900	14	11
129928-79700	13	57
129933-11310	5	59
	22	14
129933-12520	21	1
129935-01500	2	3
129935-39040	12	2
129935-39610	12	24
129940-42320	13	15
129945-03040	4	2
129945-03120	4	4
129945-03130	4	1
129945-03140	4	3
129945-03150	4	8
129945-03160	4	7
129945-03180	4	9
129945-03190	4	5
129945-03200	4	10
129945-03210	4	6
129945-03220	4	11
129945-03310	4	13
129945-03380	4	14
129945-11320	5	50
129945-12150	6	2
129945-13410	7	8
	9	9
129945-13810	7	12
129945-18011	9	1
129945-18040	21	8
129945-18050	21	7
129945-18080	21	11
129945-18090	9	2
129945-18210	6	11
129945-18220	6	12
129945-21580	10	12 -1
129945-75130	20	1
129948-07900	5	71
129948-13800	7	11
129948-13810	7	13
129948-49610	13	49
129948-49620	13	53
129951-01740	2	26
129953-25300	8	14
129953-34830	11	14
129953-35000	11	17
129957-59120	17	6
129960-03990	13	50

Parts No.	Fig. No.	Ref. No.
129960-03990	13	54
129960-21940	10	10
129960-21950	10	9
129961-59110	17	11
129961-59310	17	8
129978-03280	4	12
129982-01710	3	6
129988-77330	19	29
129E00-13640	7	6
144626-51090	14	13
158552-51571	14	59
158552-51580	14	62
158552-51670	14	130
158552-51781	14	101
158552-52100	14	132
158552-52311	14	110
158552-52400	14	111
158552-52500	14	133
158553-51670	14	67
158553-51680	14	79
158553-51930	14	104
	15	2
158553-61780	15	27
158557-51570	14	60
158557-61720	15	16
158563-51150	8	17
158563-51281	14	23
	24	24
158563-51330	14	35
158600-51270	14	22
158601-51550	14	57
158601-51650	14	128
158601-51770	14	100
158601-51790	14	102
171008-77410	18	3
171008-77420	18	4
171008-77450	18	8
171008-77670	18	18
171008-77750	18	29
171051-01921	1	5
171375-39601	12	41
172B02-17150	21	6
194155-52160	21	18
194215-52110	21	13
22190-080002	12	9
	17	17
	19	19
	21	21
	17	21
	22	27

Parts No. Index

Parts No.	Fig. No.	Ref. No.
22190-120002	13	31
	14	105
		112
		135
	15	28
	22	33
22190-180002	14	106
22190-220002	3	9
	22	8
22217-050000	14	136
22217-180000	14	113
22252-000300	10	24
22312-050140	14	114
22351-030010	12	39
22351-050010	14	115
22351-060012	1	10
22512-070140	8	7
	10	6
22857-500100	5	63
		64
		65
22877-500080	20	14
		23
23000-025000	4	16
	11	11
	12	29
23000-054000	6	13
23000-060000	4	17
		18
23000-070000	6	14
23080-012000	13	43
		47
23414-080000	13	35
	22	35
23414-100000	12	10
	22	28
23414-160000	21	9
23857-030000	12	18
23875-030000	13	23
		32
23876-020000	5	8
23876-030000	1	11
		12
		13
		29
	5	9
23887-160002	21	10
24107-062044	10	14 A
24311-000070	2	29
	14	116

Parts No.	Fig. No.	Ref. No.
24311-000070	22	5
24311-000120	5	28
		68
	22	13
24311-000160	21	28
24311-000320	2	25
		41
	5	69
	22	7
24321-000600	11	12
	22	26
24321-000750	21	29
24341-000240	2	43
24341-000480	15	22
24351-030750	2	19
	22	6
24356-190200	14	70
		117
24356-240210	14	118
24372-000150	14	71
26014-080252	19	31
26106-060102	14	119
26106-060122	5	66
	14	137
26106-060162	2	44
	12	30
	15	23
26106-060202	6	6
	13	33
26106-060252	15	29
26106-060302	13	12
26106-060352	14	120
26106-080122	3	10
	11	22
	12	11
		20
		22
		31
	13	36
		58
26106-080142	8	8
26106-080162	2	20
		37
	5	72
26106-080202	2	21
		28
	5	73
	14	142
26106-080252	15	24
26106-080302	13	18

Parts No.	Fig. No.	Ref. No.
26106-080302	14	143
	17	3
26106-080352	7	14
26106-080402	2	38
	5	45
	6	19
26106-080452	2	22
		30
	6	8
	7	15
26106-080552	7	16
	8	13
	13	13
26106-080602	5	46
		47
	13	37
26106-080702	2	39
26106-080752	2	31
26106-080802	6	9
26106-080902	6	20
26106-100252	7	17
26106-100402	7	22
26106-101052	7	23
26106-120252	18	30
26206-100352	3	4
26216-060202	6	7
26216-100302	2	16
26226-080222	5	44
26306-080002	5	48
	7	18
	9	4
26306-100002	2	23
	19	28
26366-060002	16	51
26450-100452	14	121
26716-050002	14	138
26776-180002	14	122
27241-160000	14	139
27241-300000	1	14
27241-400000	5	10
27310-070001	5	22
729907-01559	2	32
729927-02800	1	30
729927-22950	10	36
729928-01560	1	1
729928-22900	10	34
729928-53200	16	1
729928-92690	22	1
729945-51390	14	1
X2114955020	18	16

Parts No.	Fig. No.	Ref. No.
X2130631300	18	11