

0CW10-M78700EN

P R E F A C E

1. This parts catalog is the 1st edition of 4TNV98T-ZXNDP for DOOSAN INFRACORE PORTABLE POWER.

Pub.No. : 0CW10-G78700

Published : October, 2012

2. Model name

Engine model	Vehicle	Vehicle made by
4TNV98T-ZXNDP	COMPRESSOR	DOOSAN INFRACORE PORTABLE POWER

Directions for the Parts Catalog.

1. This Parts Catalog shows both standard and optional parts.
2. Parts may change without prior notice.
3. The following is an example of the Parts Catalog format.

OCF10-G21601 29. FUEL INJECTION PUMP(W/BOOST)

REF.	LEV.	PARTS NO.	DESCRIPTION	Q'TY						I	R
				(A)	(B)	(C)	(D)	(E)	(F)		
1	1	729595-51390	FUEL INJECTION PUMP	1	1	1	1	1			1
1-1	1	729595-51391	FUEL INJECTION PUMP	1	1	1	1	1		N	1
		(A=E00185) (B=E00200)									
3	2	26022-060162	SCREW M 6X 16	9	9	9	9	9			
3-1	2	26022-060162	SCREW M 6X 16	4	4	4	4	4		K	
		(A=E00156) (B=E00156) (C=E00156) (D=E00156) (E=E00156)									
4	2	129470-51040	CAMSHAFT	1	1	1	1	1			
5	2	122710-51050	BEARING, ROLLER	2	2	2	2	2			
6	2	129470-51060	RETAINER	1	1	1	1	1			

Remarks

(1) BOOST COMPEMSATOR TYPE. OPTIONAL PART, TO E00155,(4JH-DT, 4JH-DTZ

① Ref. No.

The Ref. No. listed may not be in accordance with the illustration Ref. No.

(Ex.) Illustration No.

List Ref No.

1 1 (Before change) → 1-1 (After change)

For interchangeable symbols N, R and K, illustrations for new parts may be abbreviated.

② Lev. (Level)

Level indication

The numbers below indicate the level of relativity towards the main part.

1 ---- Main parts (Assembly parts)

2 ---- Sub component included in " 1 ".

3 ---- Sub component included in " 2 ".

Note) Parts that are not for sale are partially illustrated but not listed.

③ Interchangeability Symbol

When a part change takes place, one of the following interchangeability symbols is indicated beside the part.

Symbol	Interchangeability	Contents note
N	Old $\begin{matrix} \leftarrow \text{Yes} \\ \text{No} \rightarrow \end{matrix}$ New	New Part is interchangeable for Old Part but Old Part is not interchangeable for New Part.
Q	Old $\begin{matrix} \leftarrow \text{No} \\ \text{Yes} \rightarrow \end{matrix}$ New	New Part is not interchangeable for Old Part but Old Part is interchangeable for New Part.
R	Old $\begin{matrix} \leftarrow \text{Yes} \\ \text{Yes} \rightarrow \end{matrix}$ New	New/ Old Parts are both interchangeable.
S	Old $\begin{matrix} \leftarrow \text{No} \\ \text{No} \rightarrow \end{matrix}$ New	New/ Old Parts are both not interchangeable.
W		Part newly added.
Z		Part discontinued.
F		Not interchangeable by a single part but interchangeable together with related parts.
K		Changes only for used parts quantities.

④ Effective Machine No.

When a part changes, the effective Machine No. will be indicated in the (A)-(F) column.

Product Symbol	Product No.	Product Symbol	Product No.
C	Clutch No. Compressor No.	F	Machine No. (Agricultural Equip.)
D	Drive No.	M	Machine No.
E	Engine No.		

Note 1) A date may follow the symbol. (Ex.) 1996.01

Note 2) "XXXXX" and "ZZZZZ" are for parts that could not be predicted or for engine models that could not be identified.

Note 3) (A=E00185) is the E (Engine Serial Number) for the column (A) model (in this case 4JH-DT) after the parts design change.

⑤ Remarks

Figures or alphabets (symbols) are entered in the remarks column.

The comments (remarks) on parts that are indicated at the bottom of the illustration are the same symbols as those stated above.

Contents

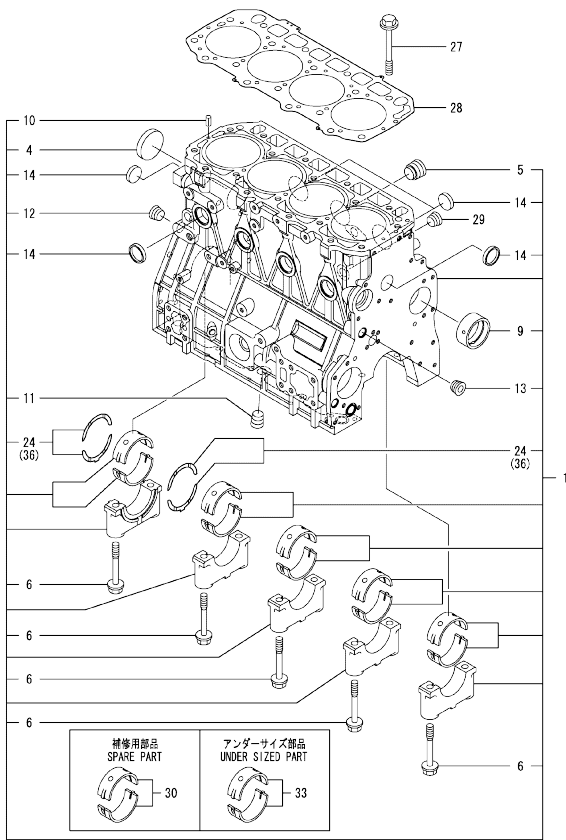
0CW10-M78700

Fig. No.	Fig. Name	Fig. No.	Fig. Name
4	TNV98T-ZXNDP		
1.	CYLINDER BLOCK		
2.	GEAR HOUSING		
3.	FLYWHEEL HOUSING & OIL SUMP		
4.	CYLINDER HEAD & BONNET		
5.	SUCTION MANIFOLD		
6.	EXHAUST MANIFOLD		
7.	CAMSHAFT & DRIVING GEAR		
8.	TURBINE		
9.	CRANKSHAFT & PISTON		
10.	LUB. OIL SYSTEM		
11.	LUB. OIL LINE		
12.	COOLING WATER SYSTEM		
13.	FUEL INJECTION PUMP		
14.	GOVERNOR		
15.	FUEL INJECTION VALVE		
16.	FUEL LINE		
17.	STARTING MOTOR		
18.	GENERATOR		
19.	ELECTRONIC CONTROL UNIT (ECU)		
20.	GASKET SET		

Fig.1. CYLINDER BLOCK

(A)=4TNV98T-ZXNDP
(B)=
(C)=

(D)=
(E)=
(F)=

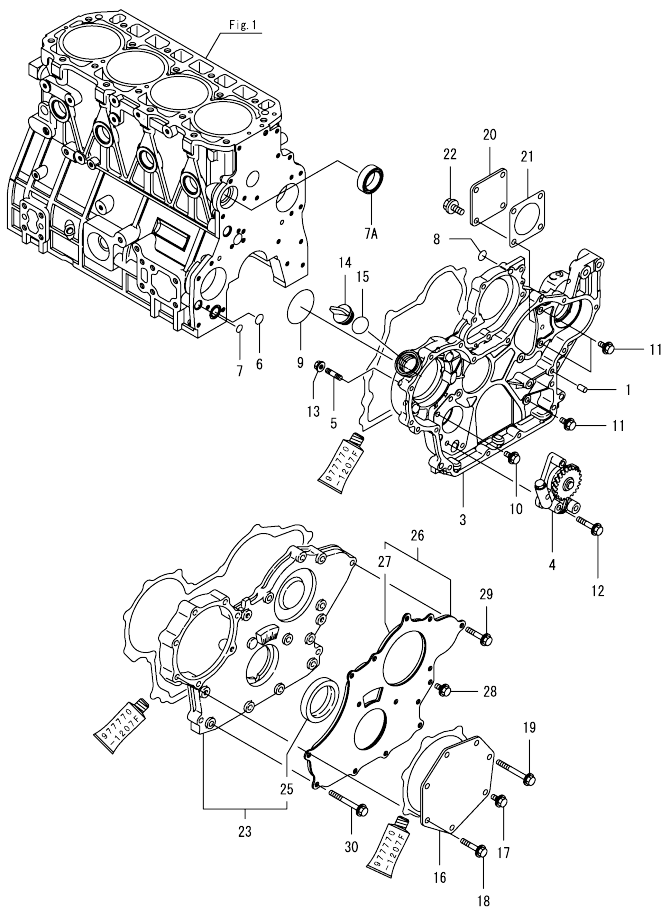


No.	Lev.	Parts No.	Description	Q'ty						I	R
				(A)	(B)	(C)	(D)	(E)	(F)		
1	1	729928-01560	BLOCK ASSY, CYLINDER	1							
4	2	129900-01250	PLUG, DISH TYPE 55	1							
5	2	171051-01921	PLUG, NPTF1	1							
6	2	129900-02020	BOLT, METAL CAP	10							
9	2	129900-02410	BUSH, CAMSHAFT	1							
10	2	22351-060012	PIN, SPRING 6.0X12	2							
11	2	23876-030000	PLUG, R03	1							
12	2	23876-030000	PLUG, R03	1							
13	2	23876-030000	PLUG, R03	1							
14	2	27241-300000	PLUG 30	8							
24	2	129900-02931	BEARING ASSY, THRUST	2							
27	1	129900-01200	BOLT, CYLINDER HEAD	18							
28	1	129907-01331	GASKET, HEAD	1							
29	1	23876-030000	PLUG, R03	1							
30	1	729900-02801	BEARING, MAIN	5							1
33	1	129900-02341	BEARING ASSY, MAIN	5							2
36	1	129900-02941	BEARING, THRUST 0.25	2							3

Remarks
(1)Spare part.
(2)Under-sized(U.S.=0.25)part.
(3)Over-sized(O.S.=0.25)part.

0CW10-M78700 4TNV98T-ZXNDP
 Fig.2. GEAR HOUSING

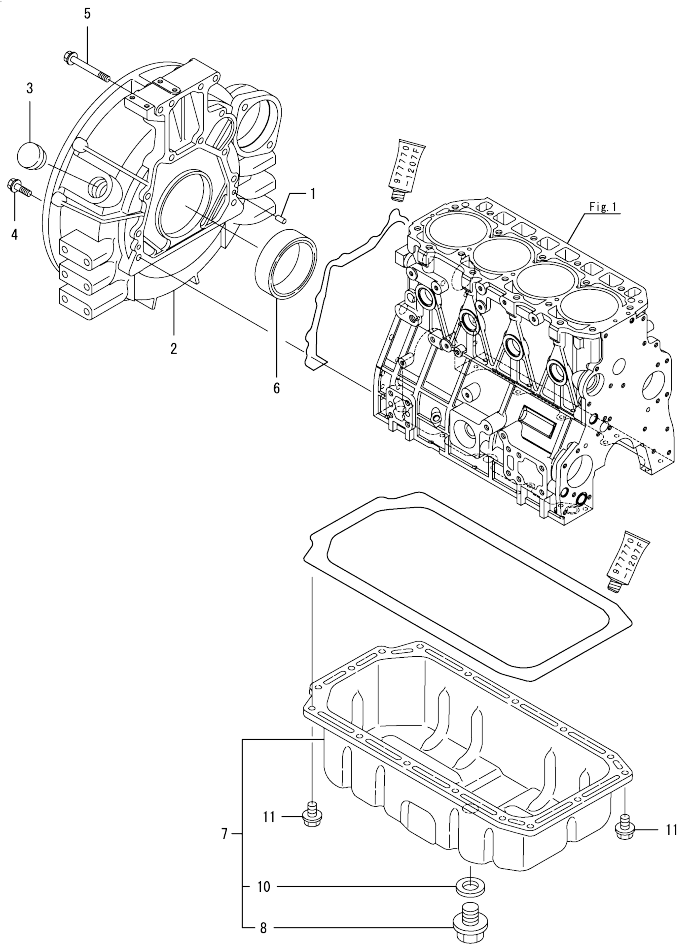
0CW10-M78700 Fig.2



No.	Lev.	Parts No.	Description	Qty						I	R
				(A)	(B)	(C)	(D)	(E)	(F)		
1	1	129100-01580	PIN, PARALLEL 8X16	4							
3	1	129908-01500	CASE, GEAR	1							
4	1	129908-32060	PUMP ASSY, OIL	1							
5	1	26216-100302	STUD, M10X 30	4							
6	1	129900-32030	O-RING, P20	1							
7	1	129900-32040	O-RING, P14	1							
7A	1	129927-42140	GASKET, PUMP OUTLET	1							W
(A=2014.09)											
8	1	24311-000070	O-RING, 1AP7.0	1							
9	1	24351-030750	O-RING, 1A3075	1							
10	1	26106-080162	BOLT, M8X 16 PLATED	1							
11	1	26106-080202	BOLT, M8X 20 PLATED	3							
12	1	26106-080452	BOLT, M8X 45 PLATED	3							
13	1	26306-100002	NUT, M10	4							
14	1	124160-01751	CAP, FILLER	1							
15	1	24311-000320	O-RING, 1AP32.0	1							
16	1	129951-01740	COVER	1							
17	1	26106-080202	BOLT, M8X 20 PLATED	1							
18	1	26106-080452	BOLT, M8X 45 PLATED	5							
19	1	26106-080752	BOLT, M8X 75 PLATED	1							
20	1	124240-01871	COVER, PUMP	1							
21	1	129C26-01890	GASKET, HO-P	1							
22	1	26106-080162	BOLT, M8X 16 PLATED	4							
23	1	729907-01559	COVER ASSY, GEAR CASE	1							
25	2	129916-01800	SEAL, OIL	1							
26	1	129900-01850	COVER ASSY, GEAR CASE	1							
27	2	129900-01870	SPONGE, GEAR CASE	1							
28	1	26106-080162	BOLT, M8X 16 PLATED	3							
29	1	26106-080402	BOLT, M8X 40 PLATED	5							
30	1	26106-080702	BOLT, M8X 70 PLATED	6							

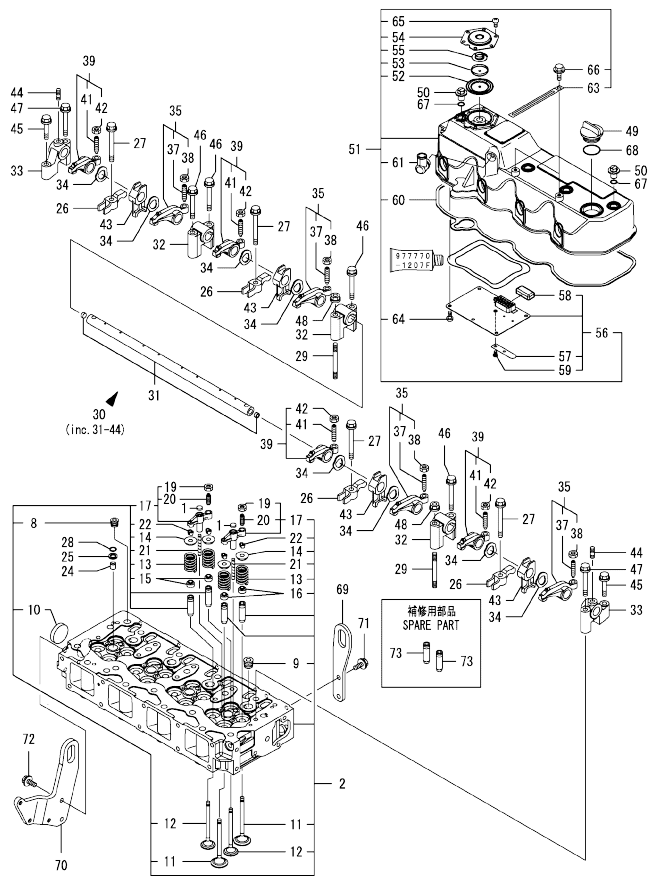
N:Old $\frac{100}{100}$ New, Q:Old $\frac{100}{100}$ New, R:Old $\frac{100}{100}$ New, S:Old $\frac{100}{100}$ New, W:Add, Z:Discontinued, F:Interchangeable by set, K:Qty Change
 Copyright (C) YANMAR GLOBAL CS CO., LTD. All Rights Reserved.

Fig.3. FLYWHEEL HOUSING & OIL SUMP



No.	Lev.	Parts No.	Description	Q'ty						I	R	
				(A)	(B)	(C)	(D)	(E)	(F)			
1	1	129100-01580	PIN, PARALLEL 8X16		2							
2	1	129981-01600	HOUSING, FLYWHEEL		1							
3	1	119620-01750	CAP		1							
4	1	26206-100352	BOLT, M10X 35 PLATED		9							
5	1	26206-100702	BOLT, M10X 70 PLATED		4							
6	1	129916-01790	SEAL, D115/95XT11		1							
7	1	129916-01710	OIL PAN ASSY		1							
8	2	119640-01640	PLUG, DRAIN M22		1							
10	2	22190-220002	WASHER, SEAL 22		1							
11	1	26106-080122	BOLT, M8X 12 PLATED		16							

Fig.4. CYLINDER HEAD & BONNET



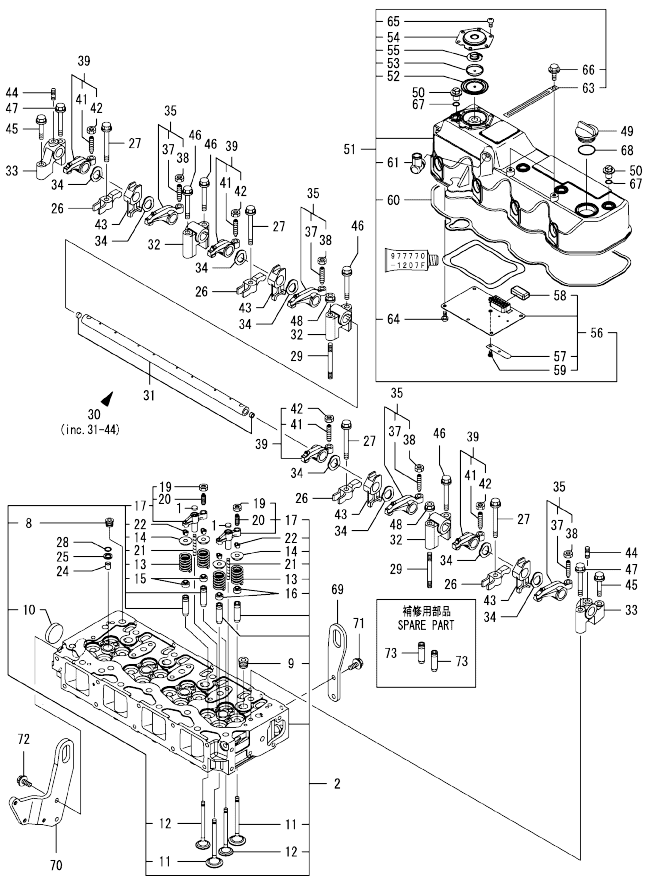
(A)=4TNV98T-ZXNDP
(B)=
(C)=

(D)=
(E)=
(F)=

No.	Lev.	Parts No.	Description	Q'ty						I	R
				(A)	(B)	(C)	(D)	(E)	(F)		
1	1	123907-11550	SEAT, VALVE BRIDGE	8							
2	1	129928-11700	HEAD ASSY, CYLINDER	1							
8	2	23876-020000	PLUG, R02	1							
9	2	23876-030000	PLUG, R03	4							
10	2	27241-400000	PLUG, 40	1							
11	2	129907-11100	VALVE, SUCTION	8							
12	2	129907-11110	VALVE, EXHAUST	8							
13	2	129907-11120	SPRING, VALVE	16							
14	2	119620-11180	RETAINER, SPRING	16							
15	2	119803-11340	SEAL, VALVE STEM	8							
16	2	124160-11340	SEAL, VALVE STEM	8							
17	2	129907-11510	BRIDGE ASSY, VALVE	8							
19	3	129150-11750	NUT, M8	8							
20	3	123907-11830	ADJUSTER	8							
21	2	123907-11820	GUIDE, BRIDGE	8							
22	2	27310-070001	COTTER, 7	16							
24	1	119802-11870	PROTECTOR, NOZZLE	4							
25	1	119625-11880	SEAT, NOZZLE	4							
26	1	129907-11910	RETAINER, NOZZLE	4							
27	1	129907-11950	BOLT, M8X75	4							
28	1	24311-000120	O-RING, 1AP12.0	4							
29	1	119593-11301	BOLT, STUD M8X80	2							
30	1	129907-11341	SHAFT ASSY, ROCKER	1							
31	2	129907-11250	SHAFT, ROCKER ARM	1							
32	2	129907-11260	SUPPORT, ROCKER ARM	3							
33	2	129907-11270	SUPPORT, ROCKER ARM	2							
34	2	123907-11280	WASHER	8							
35	2	129907-11650	ARM ASSY, ROCKER	4							
37	3	129150-11230	SCREW, VALVE ADJUST	4							
38	3	129150-11750	NUT, M8	4							
39	2	129907-11660	ARM ASSY, ROCKER	4							
41	3	129150-11230	SCREW, VALVE ADJUST	4							
42	3	129150-11750	NUT, M8	4							
43	2	129907-11920	RETAINER, NOZZLE	4							
44	2	26226-080222	STUD, M8X 22	2							
45	1	26106-080402	BOLT, M8X 40 PLATED	2							
46	1	26106-080602	BOLT, M8X 60 PLATED	4							
47	1	26106-080602	BOLT, M8X 60 PLATED	2							
48	1	26306-080002	NUT, M8	2							
49	1	124160-01751	CAP, FILLER	1							
50	1	124160-11360	KNOB	4							
51	1	129949-11400	BONNET ASSY	1							
52	2	123907-03100	DIAPHRAGM	1							
53	2	123907-03110	PLATE	1							
54	2	123907-03120	PLATE, BREATHER	1							
55	2	123907-03140	SPRING, DIAPHRAGM	1							
56	2	129949-03170	PLATE, BAFFLE	1							
57	3	129978-03030	SPRING, PLATE	1							
58	3	129949-03140	BAFFLE	1							
59	3	26587-050102	SCREW, M5X10	1							
60	2	129933-11310	GASKET, BONNET	1							

Remarks
(1) Spare part.

Fig.4. CYLINDER HEAD & BONNET



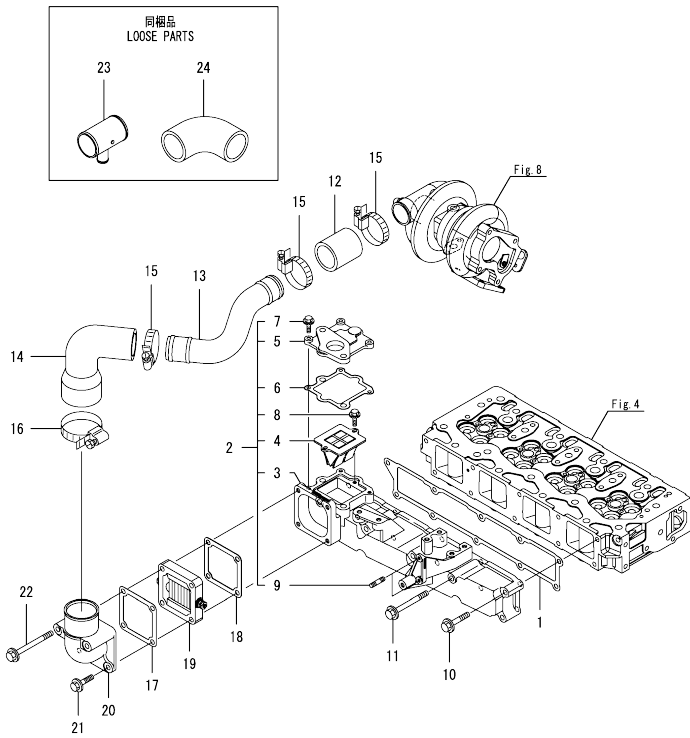
(A)=4TNV98T-ZXNDP
(B)=
(C)=

(D)=
(E)=
(F)=

No.	Lev.	Parts No.	Description	Q'ty						I	R
				(A)	(B)	(C)	(D)	(E)	(F)		
61	2	119100-11330	ELBOW, BREATHER	1							
63	2	129509-79700	CLAMP, 140-M6	2							
64	2	22857-500100	SCREW, 5X10	6							
65	2	22857-500100	SCREW, 5X10	6							
66	2	26106-060122	BOLT, M6X 12 PLATED	2							
67	1	24311-000120	O-RING, 1AP12.0	4							
68	1	24311-000320	O-RING, 1AP32.0	1							
69	1	129907-07900	LIFTER, ENGINE	1							
70	1	129928-07900	LIFTER, ENGINE	1							
71	1	26106-080162	BOLT, M8X 16 PLATED	2							
72	1	26106-080202	BOLT, M8X 20 PLATED	2							
73	1	129907-11800	GUIDE, VALVE	16							1

Remarks
(1)Spare part.

Fig.5. SUCTION MANIFOLD

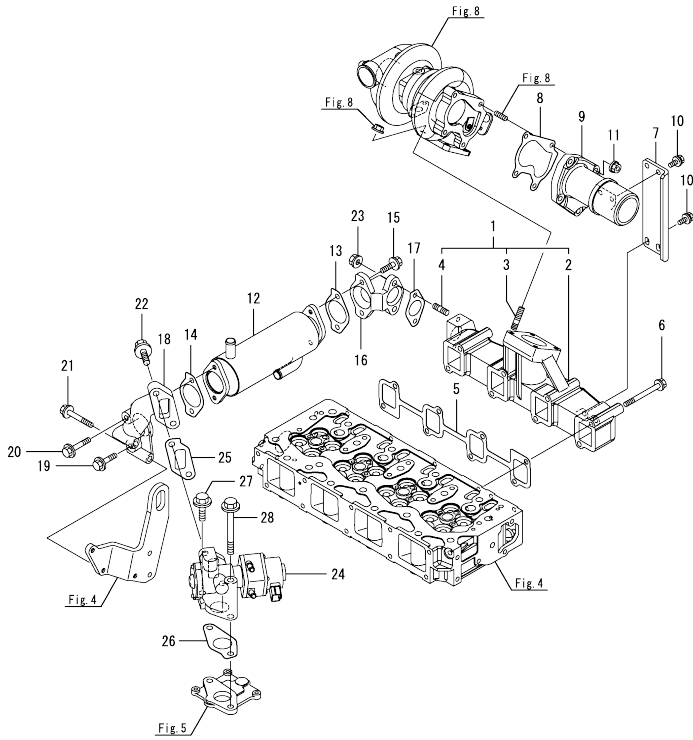


(A)=4TNV98T-ZXNDP
(B)=
(C)=

(D)=
(E)=
(F)=

No.	Lev.	Parts No.	Description	Q'ty						I	R
				(A)	(B)	(C)	(D)	(E)	(F)		
1	1	129907-12110	GASKET, MANIFOLD	1							
2	1	129928-12150	MANIFOLD ASSY,INTAKE	1							
3	2	129928-12100	MANIFOLD, AIR INTAKE	1							
4	2	129928-13700	VALVE, LEAD	1							
5	2	129928-13710	SPACER, EGR VALVE	1							
6	2	129928-13720	GASKET	1							
7	2	26106-060202	BOLT, M6X 20 PLATED	3							
8	2	26106-060202	BOLT, M6X 20 PLATED	2							
9	2	26216-060202	STUD, M6X 20	2							
10	1	26106-080452	BOLT, M8X 45 PLATED	6							
11	1	26106-080802	BOLT, M8X 80 PLATED	4							
12	1	129945-18210	JOINT, RUBBER	1							
13	1	129949-18220	DUCT, AIR	1							
14	1	129949-18230	JOINT, SUCTION	1							
15	1	23000-054000	CLAMP, 54	3							
16	1	23000-070000	CLAMP, 70	1							
17	1	119129-77020	GASKET	1							
18	1	121850-77021	GASKET, AIR HEATER	1							
19	1	119005-77051	HEATER, AIR	1							
20	1	119129-77520	BEND	1							
21	1	26106-080402	BOLT, M8X 40 PLATED	2							
22	1	26106-080902	BOLT, M8X 90 PLATED	2							
23	1	129509-03150	JOINT	1							
24	1	129509-12070	HOSE, AIR INTAKE	1							

Fig.6. EXHAUST MANIFOLD

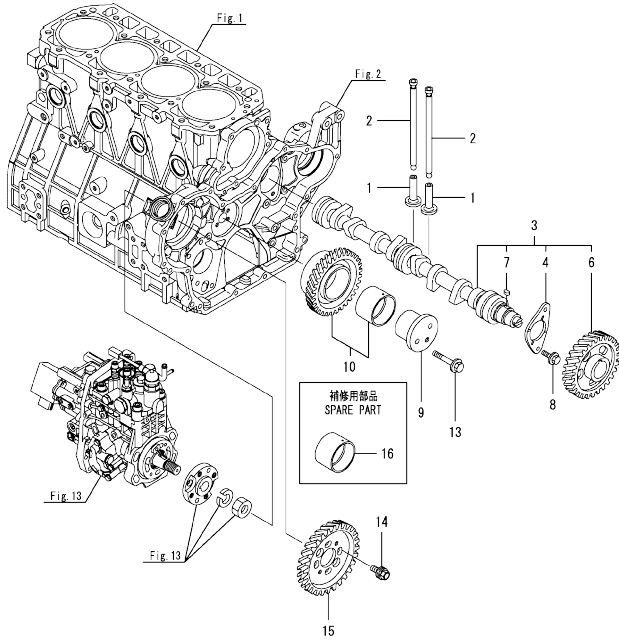


(A)=4TNV98T-ZXNDP
(B)=
(C)=

(D)=
(E)=
(F)=

No.	Lev.	Parts No.	Description	Q'ty						I	R
				(A)	(B)	(C)	(D)	(E)	(F)		
1	1	129948-13150	MANIFOLD ASSY, EXH.	1							
2	2	129948-13100	MANIFOLD, EXHAUST	1							
3	2	119131-18320	BOLT, STUD M8X22	4							
4	2	129418-18320	BOLT, STUD M8X20	2							
5	1	129900-13251	GASKET, EXH.MANIFOLD	1							
6	1	123900-13630	BOLT, M8X80	8							
7	1	129908-13660	STAY	1							
8	1	123901-18080	GASKET	1							
9	1	129908-18100	OUTLET	1							
10	1	26014-080202	BOLT, M8X 20	4							
11	1	26306-080002	NUT, M8	4							
12	1	129928-13400	COOLER ASSY, EGR	1							
13	1	129928-13410	GASKET	1							
14	1	129928-13410	GASKET	1							
15	1	119802-13790	BOLT, M8X25 10.9T	2							
16	1	129928-13800	PIPE, EGR IN	1							
17	1	129927-13810	GASKET	1							
18	1	129928-13810	PIPE, EGR OUT	1							
19	1	26106-080352	BOLT, M8X 35 PLATED	1							
20	1	26106-080452	BOLT, M8X 45 PLATED	1							
21	1	26106-080552	BOLT, M8X 55 PLATED	2							
22	1	26106-100252	BOLT, M10X 25 PLATED	2							
23	1	26306-080002	NUT, M8	2							
24	1	129928-13900	VALVE, EGR	1							
25	1	129927-13910	GASKET, EGR	1							
26	1	129927-13920	GASKET, EGR	1							
27	1	26106-100402	BOLT, M10X 40 PLATED	1							
28	1	26106-101052	BOLT, M10X105 PLATED	1							

Fig.7. CAMSHAFT & DRIVING GEAR



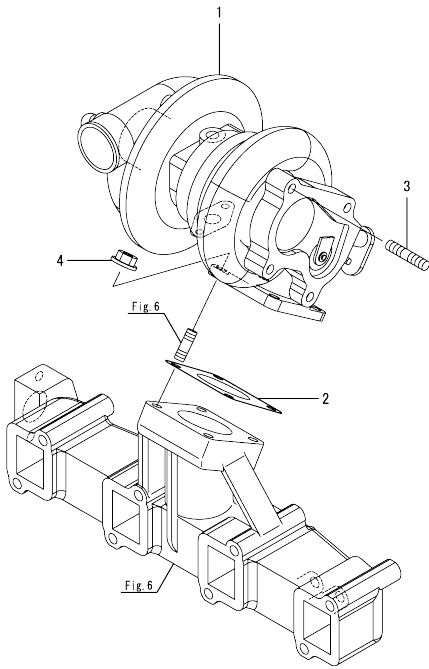
(A)=4TNV98T-ZXNDP
(B)=
(C)=

(D)=
(E)=
(F)=

No.	Lev.	Parts No.	Description	Q'ty						I	R
				(A)	(B)	(C)	(D)	(E)	(F)		
1	1	129150-14200	TAPPET	8							
2	1	129907-14400	PUSH-ROD	8							
3	1	129908-14581	CAMSHAFT ASSY	1							
4	2	129150-02450	BEARING, THRUST	1							
6	2	129900-14100	GEAR, CAMSHAFT	1							
7	2	22512-070140	KEY, 7X 14	1							
8	1	26106-080162	BOLT, M8X 16 PLATED	2							
9	1	123900-25060	SHAFT, IDLE GEAR	1							
10	1	129900-25100	GEAR ASSY, IDLE	1							
13	1	26106-080552	BOLT, M8X 55 PLATED	3							
14	1	129953-25300	BOLT	4							
15	1	129907-25900	GEAR, PUMP	1							
16	1	129150-25920	BUSH, IDLE GEAR	1							1

Remarks
(1)Spare part.

Fig.8. TURBINE

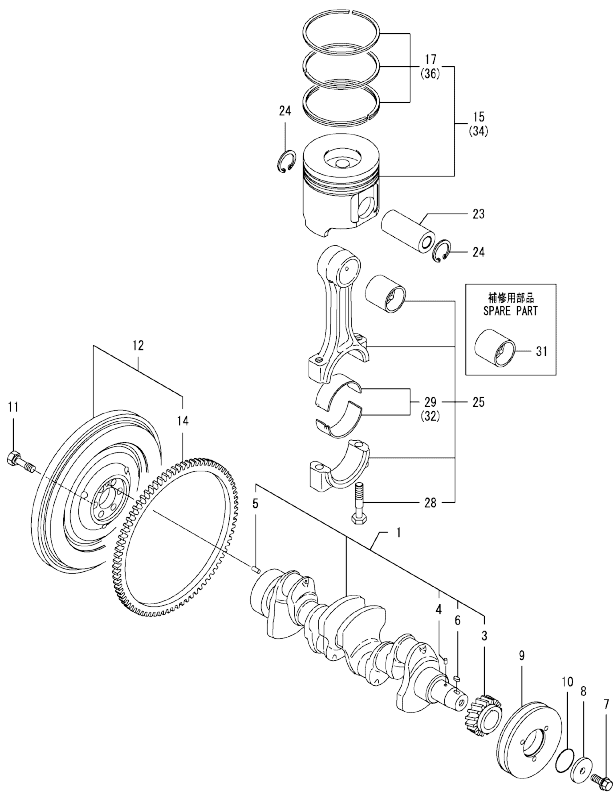


(A)=4TNV98T-ZXNDP
(B)=
(C)=

(D)=
(E)=
(F)=

No.	Lev.	Parts No.	Description	Q'ty						I	R
				(A)	(B)	(C)	(D)	(E)	(F)		
1	1	129928-18010	TURBOCHARGER, RHF5	1							
2	1	129472-18090	GASKET	1							
3	1	119131-18320	BOLT, STUD M8X22	4							
4	1	26306-080002	NUT, M8	4							

Fig.9. CRANKSHAFT & PISTON



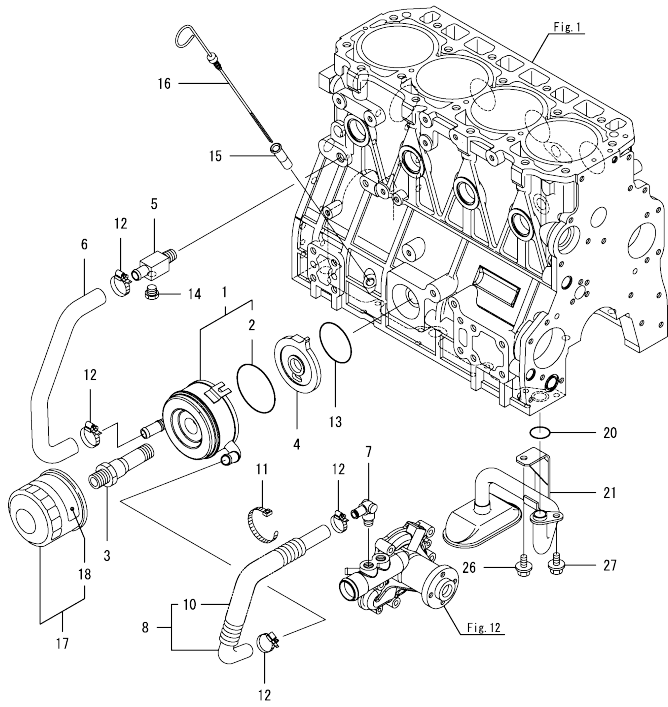
(A)=4TNV98T-ZXNDP
(B)=
(C)=

(D)=
(E)=
(F)=

No.	Lev.	Parts No.	Description	Q'ty						I	R
				(A)	(B)	(C)	(D)	(E)	(F)		
1	1	129908-21000	CRANKSHAFT ASSY	1							
3	2	129900-21200	GEAR, CRANKSHAFT	1							
4	2	121850-21290	PIN	1							
5	2	121850-21920	PIN, PARALLEL 10X22	1							
6	2	22512-070140	KEY, 7X 14	1							
7	1	129916-21610	BOLT	1							
8	1	129960-21640	WASHER	1							
9	1	129907-21680	V-PULLEY, 156	1							
10	1	24341-000530	O-RING, 1AS53.0	1							
11	1	121850-21130	BOLT, FLYWHEEL	6							
12	1	129907-21580	FLYWHEEL ASSY	1							
14	2	129900-21600	GEAR, RING	1							
15	1	129928-22080	PISTON ASSY	4							
17	2	129927-22050	RING SET, PISTON	4							
23	1	120130-22301	PIN, PISTON	4							
24	1	22252-000300	RING, 30	8							
25	1	129900-23001	ROD ASSY, CONNECTING	4							
28	2	129900-23200	BOLT, CONNECTING ROD	8							
29	2	129900-23601	BEARING, CRANK PIN	4							
31	1	129900-23911	BEARING, PISTON PIN	4							1
32	1	129900-23611	BEARING ASSY, 0.25US	4							2
34	1	729928-22900	PISTON ASSY, 0.25 OS	4							3
36	2	729927-22950	RING SET, 0.25 OS	4							3

Remarks
(1)Spare part.
(2)Under-sized(U.S.=0.25)part.
(3)Over-sized(O.S.=0.25)part.

Fig.10. LUB. OIL SYSTEM



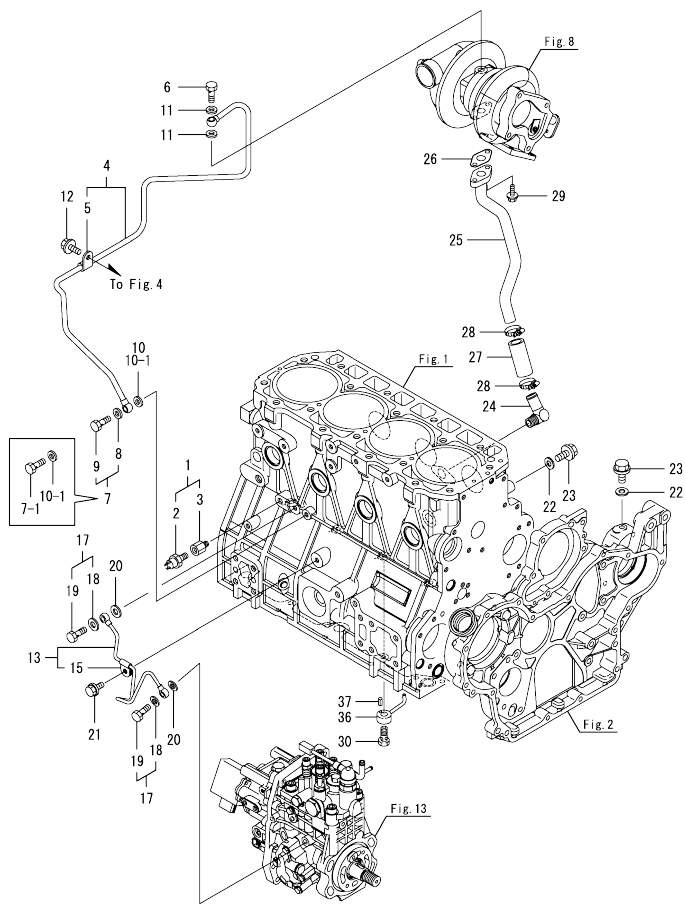
(A)=4TNV98T-ZXNDP
(B)=
(C)=

(D)=
(E)=
(F)=

No.	Lev.	Parts No.	Description	Q'ty						I	R
				(A)	(B)	(C)	(D)	(E)	(F)		
1	1	129908-33010	COOLER ASSY, OIL	1							
2	2	123912-33050	O-RING	1							
3	1	123912-33100	BOLT, COOLER	1							
4	1	129908-33101	BRACKET, OIL COOLER	1							
5	1	129006-44480	JOINT	1							
6	1	129908-49060	HOSE, WATER	1							
7	1	129466-49300	ELBOW, PT3/8	1							
8	1	123910-49600	HOSE ASSY WATER	1							
10	2	123910-49610	TUBE, CORRUGATED	1							
11	1	121750-59890	BAND, NYLON	1							
12	1	23000-025000	CLAMP, 25	4							
13	1	24321-000600	O-RING, 1AG60.0	1							
14	1	171056-49120	PLUG, DRAIN R1/4	1							
15	1	121520-34810	GUIDE, DIPSTICK	1							
16	1	129953-34830	DIPSTICK	1							
17	1	119802-35170	FILTER, 80X80L ASSY	1							
18	2	119802-07080	LABEL, L/O FILTER	1							
20	1	129900-32030	O-RING, P20	1							
21	1	129953-35000	PIPE ASSY, OIL INLET	1							
26	1	26106-080122	BOLT, M8X 12 PLATED	1							
27	1	26106-080162	BOLT, M8X 16 PLATED	1							

OCW10-M78700 4TNV98T-ZXNDP
 Fig.11. LUB. OIL LINE

OCW10-M78700 Fig.11



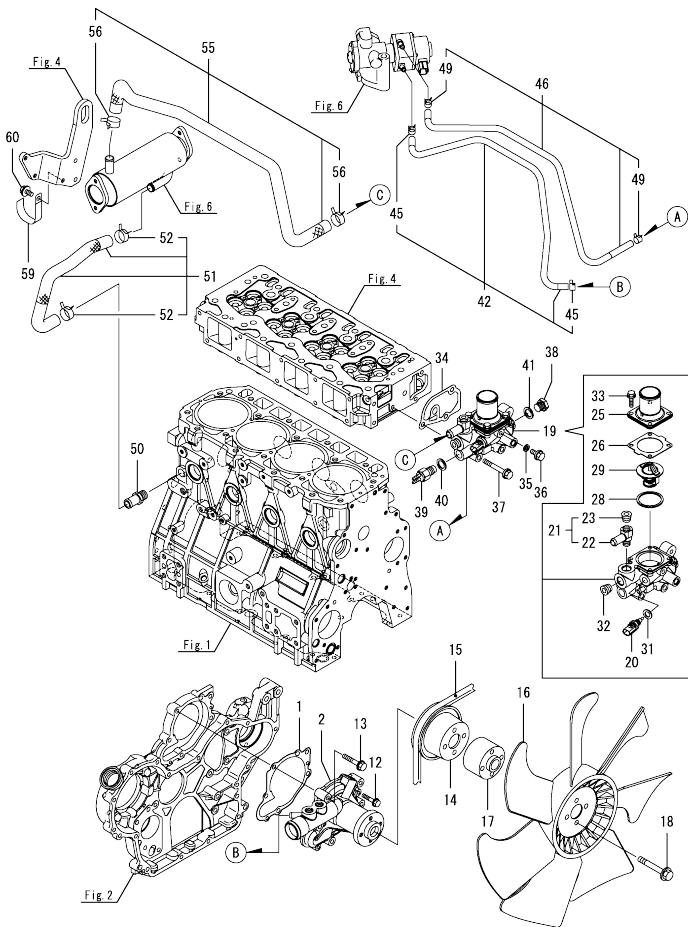
(A)=4TNV98T-ZXNDP
 (B)=
 (C)=

(D)=
 (E)=
 (F)=

No.	Lev.	Parts No.	Description	Q'ty						I	R
				(A)	(B)	(C)	(D)	(E)	(F)		
1	1	119940-39470	SWITCH	1							
2	2	119802-39460	SWITCH	1							
3	2	119285-39610	ADAPTER	1							
4	1	129949-39060	PIPE ASSY, OIL	1							
5	2	124223-39900	RETAINER	1							
6	1	121252-39150	BOLT, JOINT M10X1.5	1							
7	1	129005-59830	BOLT ASSY, JOINT M8	1							
7-1	1	105010-39140	BOLT, PIPE JOINT M8	1							S
		(A=2016.08)									
8	2	22190-080002	WASHER, SEAL 6	1							Z
		(A=2016.08)									
9	2	23857-030000	BOLT, JOINT 3	1							Z
		(A=2016.08)									
10	1	22190-080002	WASHER, SEAL 6	1							
10-1	1	22190-080002	WASHER, SEAL 8	2							K
		(A=2016.08)									
11	1	23414-100000	GASKET, 10X1.0	2							
12	1	26106-080122	BOLT, M8X 12 PLATED	1							
13	1	129927-39060	PIPE ASSY, OIL	1							
15	2	123907-39500	RETAINER, PIPE	1							
17	1	129005-59830	BOLT ASSY, JOINT M8	2							
18	2	22190-080002	WASHER, SEAL 6	2							
19	2	23857-030000	BOLT, JOINT 3	2							
20	1	22190-080002	WASHER, SEAL 6	2							
21	1	26106-080122	BOLT, M8X 12 PLATED	1							
22	1	22190-080002	WASHER, SEAL 6	2							
23	1	26106-080122	BOLT, M8X 12 PLATED	2							
24	1	124070-13300	ELBOW, PT3/8	1							
25	1	129974-39600	PIPE ASSY, OIL	1							
26	1	129908-39690	GASKET	1							
27	1	123901-39820	HOSE, LO RETURN	1							
28	1	23000-025000	CLAMP, 25	2							
29	1	26106-060162	BOLT, M6X 16 PLATED	2							
30	1	129908-39410	VALVE ASSY, CHECK	4							
36	1	119000-39650	NOZZLE, COOLING	4							
37	1	22351-030010	PIN, SPRING 3.0X10	4							

N:Old $\frac{100}{100}$ New, Q:Old $\frac{100}{100}$ New, R:Old $\frac{100}{100}$ New, S:Old $\frac{100}{100}$ New, W:Add, Z:Discontinued, F:Interchangeable by set, K:Q'ty Change
 Copyright (C) YANMAR GLOBAL CS CO., LTD. All Rights Reserved.

Fig.12. COOLING WATER SYSTEM



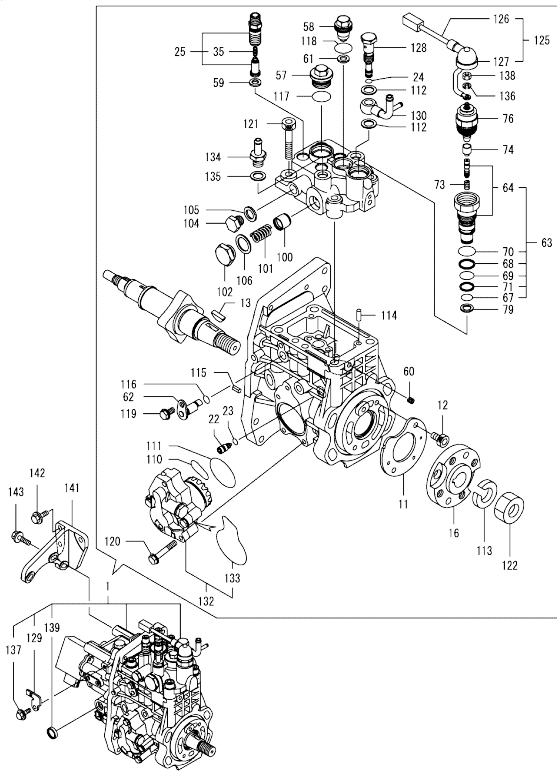
(A)=4TNV98T-ZXNDP
(B)=
(C)=

(D)=
(E)=
(F)=

No.	Lev.	Parts No.	Description	Q'ty						I	R
				(A)	(B)	(C)	(D)	(E)	(F)		
1	1	129900-42020	GASKET, WATER PUMP	1							
2	1	129948-42100	PUMP ASSY, WATER	1							
12	1	26106-060302	BOLT, M6X 30 PLATED	2							
13	1	26106-080552	BOLT, M8X 55 PLATED	5							
14	1	123900-42470	V-PULLEY, C.W.PUMP	1							
15	1	25153-004500	V-BELT, B45	1							
16	1	123915-44741	FAN, COOLING	1							
17	1	123910-44771	SPACER, FAN 50	1							
18	1	26106-100702	BOLT, M10X 70 PLATED	4							
19	1	129928-49800	CASE ASSY,THERMOSTAT	1							
20	2	129927-44900	SENSOR, WATER TEMP.	1							
21	2	129928-49400	JOINT ASSY	1							
22	3	129928-49410	JOINT	1							
23	3	23875-030000	PLUG, R03	1							
25	2	129916-49530	COVER, THERMOSTAT	1							
26	2	121850-49540	GASKET, THERMOSTAT	1							
28	2	121850-49550	GASKET, THERMOSTAT	1							
29	2	121850-49811	THERMOSTAT, 71C	1							
31	2	22190-120002	WASHER, SEAL 12	1							
32	2	23875-030000	PLUG, R03	1							
33	2	26106-060202	BOLT, M6X 20 PLATED	4							
34	1	129900-49870	GASKET, THERMOSTAT	1							
35	1	23414-080000	GASKET, 8X1.0	1							
36	1	26106-080122	BOLT, M8X 12 PLATED	1							
37	1	26106-080602	BOLT, M8X 60 PLATED	3							
38	1	121450-42450	PLUG, M16	1							
39	1	119843-44900	SWITCH, 110	1							
40	1	124465-44950	GASKET, 16	1							
41	1	124465-44950	GASKET, 16	1							
42	1	129927-49610	HOSE ASSY, WATER	1							
45	2	23080-012000	CLAMP, 12	2							
46	1	129927-49620	HOSE ASSY, WATER	1							
49	2	23080-012000	CLAMP, 12	2							
50	1	129928-49420	JOINT	1							
51	1	129948-49610	HOSE ASSY, WATER	1							
52	2	129960-03990	CLAMP, HOSE 19.8	2							
55	1	129928-49620	HOSE ASSY, WATER	1							
56	2	129960-03990	CLAMP, HOSE 19.8	2							
59	1	129928-79700	CLAMP, 150-M8	1							
60	1	26106-080122	BOLT, M8X 12 PLATED	1							

Fig.13. FUEL INJECTION PUMP

(A)=4TNV98T-ZXNDP
(D)=
(E)=
(F)=



Remarks

(1)Governor(Fig.14)is incorporated in this Fuel Injection Pump (Ref.1).
(1)Eco Pump
Make sure to update the engines ECU information when replacing the Eco Pump.
Failing to do so will result in engine malfunction.

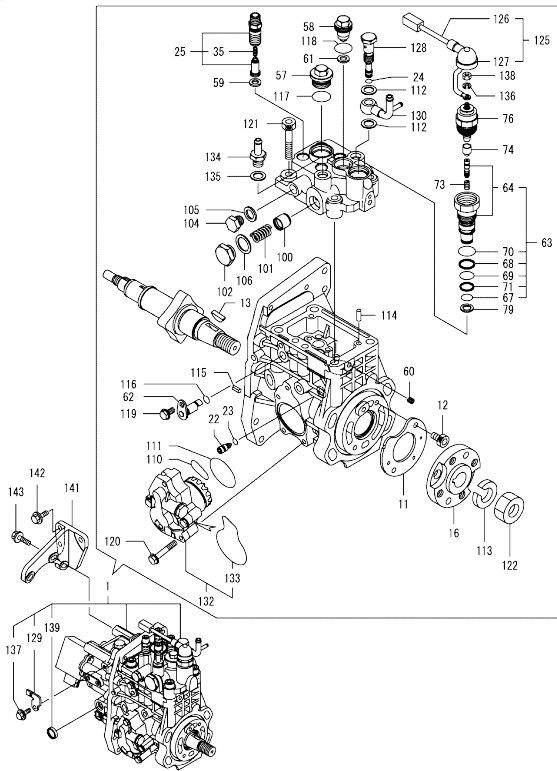
No.	Lev.	Parts No.	Description	Q'ty						I	R	
				(A)	(B)	(C)	(D)	(E)	(F)			
1	1	729949-51360	FIE ASSY	1							1	
11	2	129928-51900	COVER	1								
12	2	129008-51920	BOLT, SOCKET M6X10	2								
13	2	144626-51090	FEATHER KEY, 5X19	1								
16	2	158563-51150	FLANGE	1								
22	2	158600-51270	STOPPER, TAPPET	1								
23	2	158563-51281	O-RING, 4D S6	1								
24	2	158563-51281	O-RING, 4D S6	1								
25	2	129928-51390	VALVE ASSY, DELIVERY	4								
35	3	158563-51330	SPRING, DELIVERY	4								
57	2	158601-51550	PLUG, M22	1								
58	2	129907-51560	PLUG, M16	1								
59	2	158552-51571	GASKET, PLUG	4								
60	2	158557-51570	PLUG, RACK	1								
61	2	129906-51580	GASKET, PLUG	1								
62	2	158552-51580	LIFTER, LINK	1								
63	2	129657-51590	TIMER ASSY	1								
64	3	129657-51600	TIMER ASSY	1								
67	3	158553-51670	O-RING	1								
68	3	119802-51680	RING, BACKUP	1								
69	3	119802-51690	O-RING	1								
70	3	24356-190200	O-RING, 4D19020	1								
71	3	24372-000150	RING, BACK UP T2P15	1								
73	2	119852-51630	SPRING, TIMER	1								
74	2	119852-51640	CAP, TIMER	1								
76	2	119852-51650	VALVE ASSY, SOLENOID	1								
79	2	158553-51680	GASKET, TIMER	1								
100	2	158601-51770	PISTON, ACCUMULATOR	1								
101	2	158552-51781	SPRING, ACCUMULATOR	1								
102	2	158601-51790	PLUG	1								
104	2	158553-51930	PLUG, M12	1								
105	2	22190-120002	WASHER, SEAL 12	1								
106	2	22190-180002	WASHER, SEAL 18	1								
110	2	158552-52311	O-RING	1								
111	2	158552-52400	O-RING, 4E S42	1								
112	2	22190-120002	WASHER, SEAL 12	2								
113	2	22217-180000	WASHER, SPRING 18	1								
114	2	22312-050140	PIN, PARALLEL M5X14	2								
115	2	22351-050010	PIN, SPRING 5.0X10	2								
116	2	24311-000070	O-RING, 1AP7.0	1								
117	2	24356-190200	O-RING, 4D19020	1								
118	2	24356-240210	O-RING, 4D24021	1								
119	2	26106-060102	BOLT, M6X 10 PLATED	1								
120	2	26106-060352	BOLT, M6X 35 PLATED	4								
121	2	26450-100452	BOLT, M10X 45	4								
122	2	26776-180002	NUT, LOCK M18	1								
125	2	129927-51650	HARNESS ASSY, WIRE	1								
126	3	129927-51660	HARNESS	1								
127	3	129263-77941	CAP, RUBBER	1								
128	2	158601-51650	JOINT, OVER FLOW	1								
129	2	129927-51670	BRACKET	1								

N:Old *^{REV}/_{REV}* New, Q:Old *^{REV}/_{REV}* New, R:Old *^{REV}/_{REV}* New, S:Old *^{REV}/_{REV}* New, W:Add, Z:Discontinued, F:Interchangeable by set, K:Q'ty Change
 ++ CONTINUE ++
 Copyright (C) YANMAR GLOBAL CS CO., LTD. All Rights Reserved.

Fig.13. FUEL INJECTION PUMP

(A)=4TNV98T-ZXNDP
(B)=
(C)=

(D)=
(E)=
(F)=



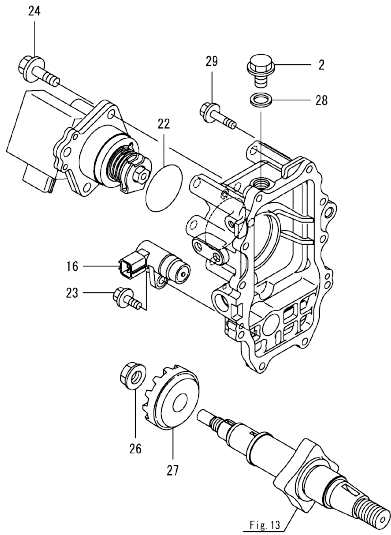
No.	Lev.	Parts No.	Description	Qty						I	R
				(A)	(B)	(C)	(D)	(E)	(F)		
130	2	158552-51670	JOINT, OVER FLOW	1							
132	2	158552-52100	PUMP ASSY, FUEL FEED	1							
133	3	158552-52500	O-RING	1							
134	2	119934-59910	JOINT, PIPE	1							
135	2	22190-120002	WASHER, SEAL 12	1							
136	2	22217-050000	WASHER, SPRING 5	1							
137	2	26106-060122	BOLT, M6X 12 PLATED	1							
138	2	26716-050002	NUT, M5	1							
139	2	27241-160000	PLUG, 16	1							
141	1	129927-51250	RETAINER, PUMP	1							
142	1	26106-080202	BOLT, M8X 20 PLATED	3							
143	1	26106-080302	BOLT, M8X 30 PLATED	3							

Remarks

(1)Governor(Fig.14)is incorporated in this Fuel Injection Pump (Ref.1).
(1)Eco Pump
Make sure to update the engines ECU information when replacing the Eco Pump.
Failing to do so will result in engine malfunction.

0CW10-M78700 4TNV98T-ZXNDP
 Fig.14. GOVERNOR

0CW10-M78700 Fig.14



(A)=4TNV98T-ZXNDP
 (B)=
 (C)=

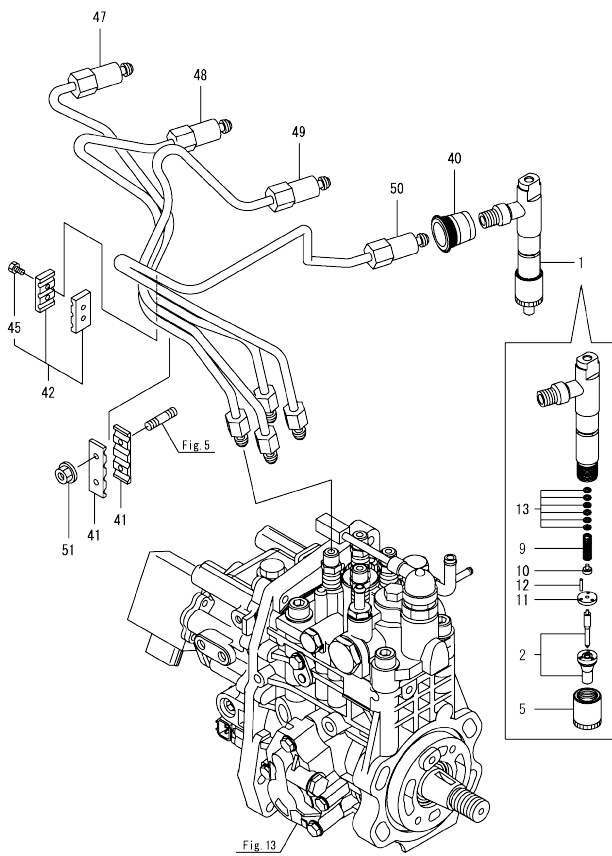
(D)=
 (E)=
 (F)=

No.	Lev.	Parts No.	Description	Q'ty						I	R
				(A)	(B)	(C)	(D)	(E)	(F)		
2	2	158553-51930	PLUG, M12	1							
16	2	158557-61720	SENSOR	1							
22	2	24341-000480	O-RING, 1AS48.0	1							
23	2	26106-060162	BOLT, M6X 16 PLATED	1							
24	2	26106-080252	BOLT, M8X 25 PLATED	3							
26	2	129008-61301	NUT	1							
27	2	158553-61780	GEAR, SENSOR	1							
28	2	22190-120002	WASHER, SEAL 12	1							
29	2	26106-060252	BOLT, M6X 25 PLATED	10							

Remarks
 *This figure(Governor)is incorporated
 in the Fuel Injection Pump (Fig.13).

N:Old $\frac{100}{100}$ New, Q:Old $\frac{100}{100}$ New, R:Old $\frac{100}{100}$ New, S:Old $\frac{100}{100}$ New, W:Add, Z:Discontinued, F:Interchangeable by set, K:Q'ty Change
 Copyright (C) YANMAR GLOBAL CS CO., LTD. All Rights Reserved.

Fig.15. FUEL INJECTION VALVE

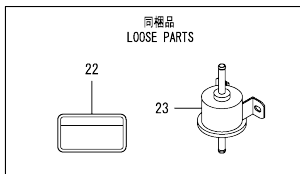
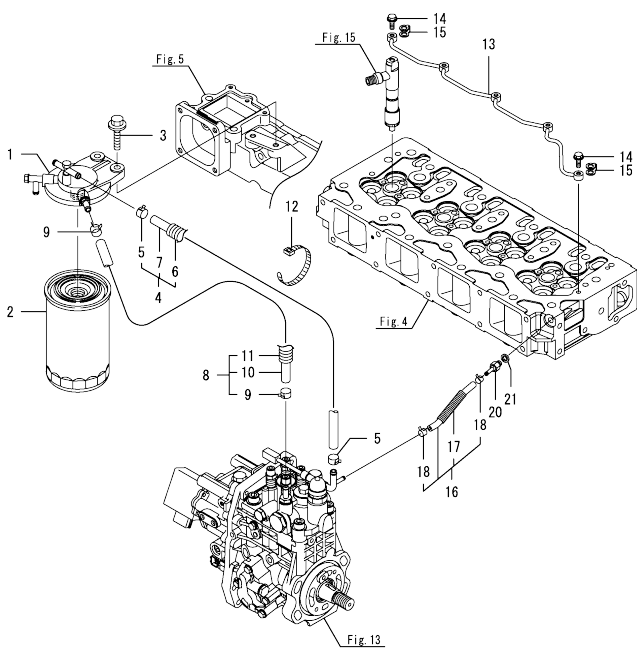


(A)=4TNV98T-ZXNDP
(B)=
(C)=

(D)=
(E)=
(F)=

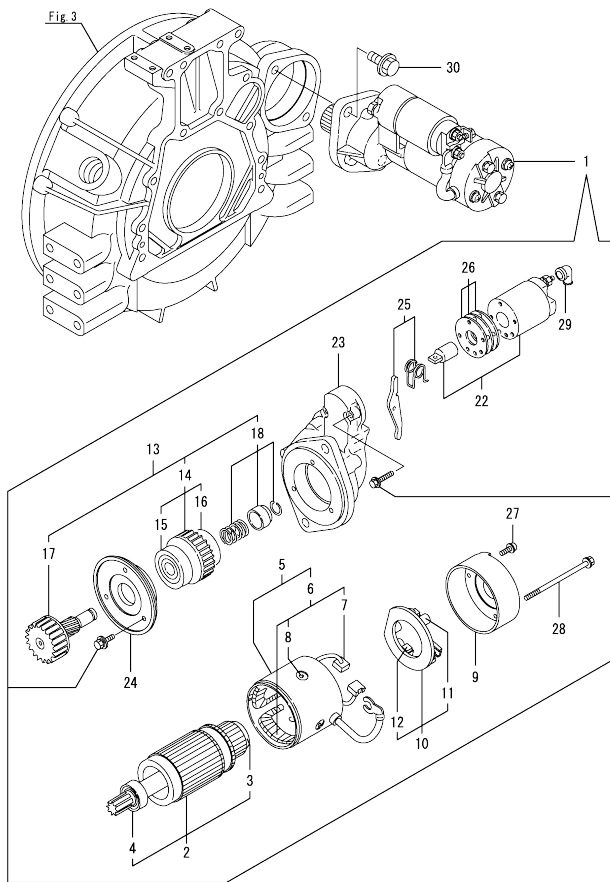
No.	Lev.	Parts No.	Description	Q'ty					
				(A)	(B)	(C)	(D)	(E)	(F)
1	1	729928-53100	FUEL INJECTOR ASSY	4					
2	2	129928-53000	NOZZLE ASSY, F.I.	4					
5	2	114250-53080	NUT, NOZZLE	4					
9	2	114250-53120	SPRING, NOZZLE	4					
10	2	114250-53130	SEAT, SPRING	4					
11	2	114250-53140	SPACER	4					
12	2	114250-53210	PIN	8					
13	2	119803-53400	SHIM SET	4					
40	1	123907-11601	SEAL, PIPE	4					
41	1	123472-59120	RETAINER, PIPE	2					
42	1	129150-59120	RETAINER, PIPE	1					
45	2	129150-59131	BOLT, M4X14	2					
47	1	129927-59810	PIPE ASSY, INJECTION	1					
48	1	129927-59820	PIPE ASSY, INJECTION	1					
49	1	129927-59830	PIPE ASSY, INJECTION	1					
50	1	129927-59840	PIPE ASSY, INJECTION	1					
51	1	26366-060002	NUT, M6	2					

Fig.16. FUEL LINE



No.	Lev.	Parts No.	Description	Q'ty						I	R
				(A)	(B)	(C)	(D)	(E)	(F)		
1	1	129004-55612	BRACKET, FILTER	1							
2	1	129933-55810	FILTER, FUEL OIL	1							
3	1	26106-080302	BOLT, M8X 30 PLATED	2							
4	1	129457-59010	HOSE ASSY, FUEL	1							
5	2	124766-59050	CLAMP, HOSE 11.5	2							
6	2	129957-59120	TUBE, CORRUGATED 15	1							
7	2	105025-59750	HOSE, FUEL	1							
8	1	129961-59310	HOSE ASSY, FUEL	1							
9	2	124766-59050	CLAMP, HOSE 11.5	2							
10	2	129136-59110	HOSE, D13/7.5X270	1							
11	2	129961-59110	TUBE, CORRUGATED 15	1							
12	1	121750-59890	BAND, NYLON	1							
13	1	129907-59140	PIPE ASSY, RETURN	1							
14	1	123907-59540	BOLT, PIPE JOINT M6	5							
15	1	123907-59550	GASKET	5							
16	1	129927-59550	HOSE ASSY, RETURN	1							
17	2	129263-49750	TUBE, CORRUGATED	1							
18	2	124722-59050	CLAMP, HOSE 9	2							
20	1	123907-59560	JOINT, HOSE	1							
21	1	22190-080002	WASHER, SEAL 6	1							
22	1	114110-07761	LABEL, FUEL OIL CAUT	1							
23	1	119225-52102	PUMP, FUEL FEED	1							

Fig.17. STARTING MOTOR

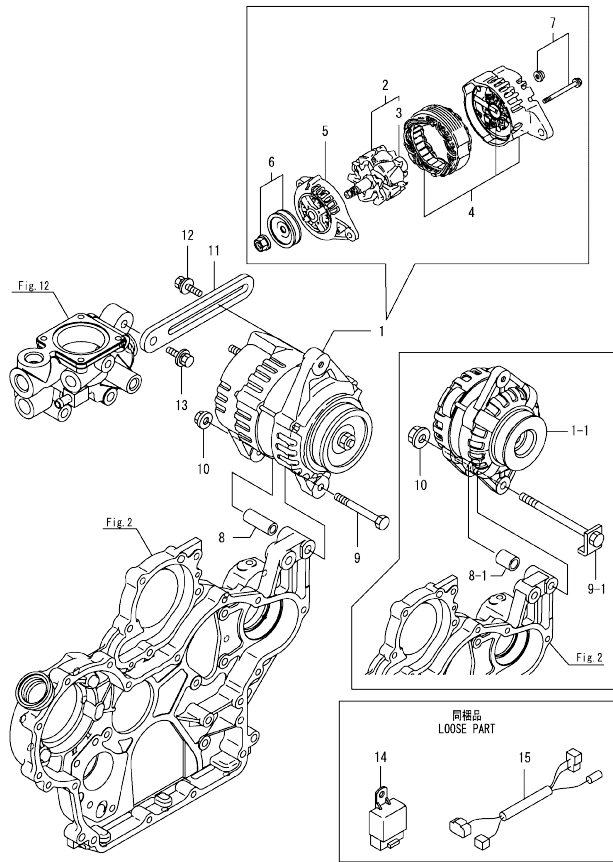


(A)=4TNV98T-ZXNDP
(B)=
(C)=

(D)=
(E)=
(F)=

No.	Lev.	Parts No.	Description	Q'ty						I	R
				(A)	(B)	(C)	(D)	(E)	(F)		
1	1	129900-77040	STARTER ASSY	1							
2	2	129900-77120	ARMATURE ASSY	1							
3	3	171008-77410	BEARING, BALL	1							
4	3	171008-77420	BEARING, BALL	1							
5	2	129900-77130	YOKE ASSY	1							
6	3	129900-77140	COIL ASSY, FIELD	1							
7	4	129900-77450	BRUSH	2							
8	4	171008-77450	SCREW, CORE SET	4							
9	2	129900-77150	COVER	1							
10	2	129900-77160	HOLDER ASSY, BRUSH	1							
11	3	X2130631300	SPRING, BRUSH	4							
12	3	129900-77450	BRUSH	2							
13	2	129900-77170	CLUTCH ASSY	1							
14	3	129900-77180	CLUTCH ASSY	1							
15	4	129900-77190	BEARING, BALL	1							
16	4	X2114955020	BEARING, BALL	1							
17	3	129900-77270	SHAFT, PINION	1							
18	3	171008-77670	STOPPER SET, PINION	1							
22	2	129900-77280	SWITCH ASSY, MAGNET	1							
23	2	129900-77290	CASE, GEAR	1							
24	2	129900-77380	RETAINER, BEARING	1							
25	2	129900-77390	LEVER ASSY, SHIFT	1							
26	2	129900-77420	COVER KIT, DUST	1							
27	2	129900-77430	SCREW, M4X10	2							
28	2	129685-77640	BOLT, THROUGH	2							
29	2	171008-77750	COVER, TERMINAL	1							
30	1	26106-120252	BOLT, M12X 25 PLATED	2							

Fig.18. GENERATOR



(A)=4TNV98T-ZXNDP
(B)=
(C)=

(D)=
(E)=
(F)=

No.	Lev.	Parts No.	Description	Q'ty						I	R
				(A)	(B)	(C)	(D)	(E)	(F)		
1	1	123900-77210	ALTERNATOR, 12V-60A	1							
1-1	1	129908-77210	ALTERNATOR	1							F 1
(A=2013.02.)											
2	2	123900-77700	ROTOR ASSY	1							
3	3	129612-77710	BEARING, BALL	1							
4	2	123900-77720	BRACKET ASSY	1							
5	2	123900-77730	BRACKET ASSY	1							
6	2	123900-77740	PULLEY, GENERATOR	1							
7	2	123900-77750	SCREW KIT	1							
8	1	129470-77340	PIECE, DISTANCE	1							
8-1	1	129908-77360	PIECE, DISTANCE	1							F 1
(A=2013.02.)											
9	1	26116-101202	BOLT, M10X120 PLATED	1							
9-1	1	129908-77220	BOLT, STOPPER M10	1							F 1
(A=2013.02.)											
10	1	26306-100002	NUT, M10	1							
11	1	129900-77330	ADJUSTER, BELT	1							
12	1	119810-77340	BOLT, ADJUST L=30	1							
13	1	26014-080252	BOLT, M8X 25	1							
14	1	198461-52950	RELAY, CA TYPE C	2							
15	1	129908-77940	HARNESS	1							F 1
(A=2013.02.)											

Remarks

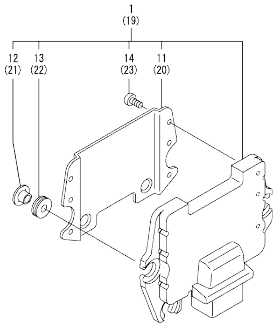
(1)No.1-1, 8-1, 9-1 & No.15 interchangeable by set.

Fig.19. ELECTRONIC CONTROL UNIT (ECU)

(A)=4TNV98T-ZXNDP
(B)=
(C)=

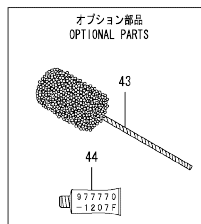
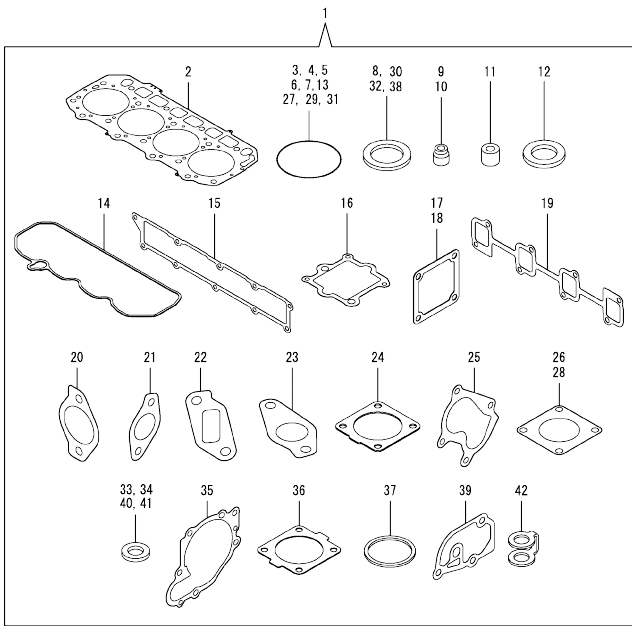
(D)=
(E)=
(F)=

No.	Lev.	Parts No.	Description	Q'ty						I	R
				(A)	(B)	(C)	(D)	(E)	(F)		
1	1	129949-75140	ECU ASSY,4-98T-ZXNDP	1							1
11	2	129927-77600	SHIELD, ECU	1							
12	2	129927-77680	COLLAR, CONTROL	3							
13	2	119578-91351	ABSORBER	3							
14	2	22877-500080	SCREW, 5X 8	6							
19	1	129927-75900	ECU ASSY, SERVICE	1							2
20	2	129927-77600	SHIELD, ECU	1							
21	2	129927-77680	COLLAR, CONTROL	3							
22	2	119578-91351	ABSORBER	3							
23	2	22877-500080	SCREW, 5X 8	6							



Remarks
(1)Eco ECU
This part cannot be ordered.
Replace the part using a Service ECU with the proper engine information installed.
(2)Service ECU
If the proper information is not installed, the engine will not operate.
To install proper information, go to an authorized Distributor.

Fig.20. GASKET SET



(A)=4TNV98T-ZXNDP
(B)=
(C)=

(D)=
(E)=
(F)=

No.	Lev.	Parts No.	Description	Qty						I	R	
				(A)	(B)	(C)	(D)	(E)	(F)			
1	1	729928-92600	GASKET SET	1							1	
2	2	129907-01331	GASKET, HEAD	1								
3	2	129900-32030	O-RING, P20	2								
4	2	129900-32040	O-RING, P14	1								
5	2	24311-000070	O-RING, 1AP7.0	1								
6	2	24351-030750	O-RING, 1A3075	1								
7	2	24311-000320	O-RING, 1AP32.0	2								
8	2	22190-220002	WASHER, SEAL 22	1								
9	2	119803-11340	SEAL, VALVE STEM	8								
10	2	124160-11340	SEAL, VALVE STEM	8								
11	2	119802-11870	PROTECTOR, NOZZLE	4								
12	2	119625-11880	SEAT, NOZZLE	4								
13	2	24311-000120	O-RING, 1AP12.0	8								
14	2	129933-11310	GASKET, BONNET	1								
15	2	129907-12110	GASKET, MANIFOLD	1								
16	2	129928-13720	GASKET	1								
17	2	119129-77020	GASKET	1								
18	2	121850-77021	GASKET, AIR HEATER	1								
19	2	129900-13251	GASKET, EXH.MANIFOLD	1								
20	2	129928-13410	GASKET	2								
21	2	129927-13810	GASKET	1								
22	2	129927-13910	GASKET, EGR	1								
23	2	129927-13920	GASKET, EGR	1								
24	2	129930-13201	GASKET, SILENCER	2								
25	2	123901-18080	GASKET	1								
26	2	129472-18090	GASKET	1								
27	2	24341-000530	O-RING, 1AS53.0	1								
28	2	129C26-01890	GASKET, HO-P	1								
29	2	24321-000600	O-RING, 1AG60.0	1								
30	2	22190-300002	WASHER, SEAL 30	1								
31	2	24321-000700	O-RING, 1AG70.0	1								
32	2	22190-080002	WASHER, SEAL 6	11								
33	2	23414-100000	GASKET, 10X1.0	2								
34	2	129908-39690	GASKET	1								
35	2	129900-42020	GASKET, WATER PUMP	1								
36	2	121850-49540	GASKET, THERMOSTAT	1								
37	2	121850-49550	GASKET, THERMOSTAT	1								
38	2	22190-120002	WASHER, SEAL 12	1								
39	2	129900-49870	GASKET, THERMOSTAT	1								
40	2	23414-080000	GASKET, 8X1.0	1								
41	2	124465-44950	GASKET, 16	2								
42	2	123907-59550	GASKET	5								
43	1	129400-92450	HONE, FLEX	1								1
44	1	977770-1207F	GASKET, LIQUID	1								1

Remarks
(1)Optional parts.

Parts No. Index

Parts No.	Fig. No.	Ref. No.	Parts No.	Fig. No.	Ref. No.	Parts No.	Fig. No.	Ref. No.	Parts No.	Fig. No.	Ref. No.
105010-39140	11	7 -1	121850-21130	9	11	124240-01871	2	20	129900-02941	1	36
105025-59750	16	7	121850-21290	9	4	124465-44950	12	40	129900-13251	6	5
114110-07761	16	22	121850-21920	9	5			41		20	19
114250-53080	15	5	121850-49540	12	26			20	129900-14100	7	6
114250-53120	15	9		20	36	124722-59050	16	18	129900-21200	9	3
114250-53130	15	10	121850-49550	12	28	124766-59050	16	5	129900-21600	9	14
114250-53140	15	11		20	37			9	129900-23001	9	25
114250-53210	15	12	121850-49811	12	29	129004-55612	16	1	129900-23200	9	28
119000-39650	11	36	121850-77021	5	18	129005-59830	11	7	129900-23601	9	29
119005-77051	5	19		20	18			17	129900-23611	9	32
119100-11330	4	61	123472-59120	15	41	129006-44480	10	5	129900-23911	9	31
119129-77020	5	17	123900-13630	6	6	129008-51920	13	12	129900-25100	7	10
	20	17	123900-25060	7	9	129008-61301	14	26	129900-32030	2	6
119129-77520	5	20	123900-42470	12	14	129100-01580	2	1		10	20
119131-18320	6	3	123900-77210	18	1		3	1		20	3
	8	3	123900-77700	18	2	129136-59110	16	10	129900-32040	2	7
119225-52102	16	23	123900-77720	18	4	129150-02450	7	4		20	4
119285-39610	11	3	123900-77730	18	5	129150-11230	4	37	129900-42020	12	1
119578-91351	19	13	123900-77740	18	6			41		20	35
		22	123900-77750	18	7	129150-11750	4	19	129900-49870	12	34
119593-11301	4	29	123901-18080	6	8			38		20	39
119620-01750	3	3		20	25			42	129900-77040	17	1
119620-11180	4	14	123901-39820	11	27	129150-14200	7	1	129900-77120	17	2
119625-11880	4	25	123907-03100	4	52	129150-25920	7	16	129900-77130	17	5
	20	12	123907-03110	4	53	129150-59120	15	42	129900-77140	17	6
119640-01640	3	8	123907-03120	4	54	129150-59131	15	45	129900-77150	17	9
119802-07080	10	18	123907-03140	4	55	129263-49750	16	17	129900-77160	17	10
119802-11870	4	24	123907-11280	4	34	129263-77941	13	127	129900-77170	17	13
	20	11	123907-11550	4	1	129400-92450	20	43	129900-77180	17	14
119802-13790	6	15	123907-11601	15	40	129418-18320	6	4	129900-77190	17	15
119802-35170	10	17	123907-11820	4	21	129457-59010	16	4	129900-77270	17	17
119802-39460	11	2	123907-11830	4	20	129466-49300	10	7	129900-77280	17	22
119802-51680	13	68	123907-39500	11	15	129470-77340	18	8	129900-77290	17	23
119802-51690	13	69	123907-59540	16	14	129472-18090	8	2	129900-77330	18	11
119803-11340	4	15	123907-59550	16	15		20	26	129900-77380	17	24
	20	9		20	42	129509-03150	5	23	129900-77390	17	25
119803-53400	15	13	123907-59560	16	20	129509-12070	5	24	129900-77420	17	26
119810-77340	18	12	123910-44771	12	17	129509-79700	4	63	129900-77430	17	27
119843-44900	12	39	123910-49600	10	8	129612-77710	18	3	129900-77450	17	7
119852-51630	13	73	123910-49610	10	10	129657-51590	13	63		12	
119852-51640	13	74	123912-33050	10	2	129657-51600	13	64	129906-51580	13	61
119852-51650	13	76	123912-33100	10	3	129685-77640	17	28	129907-01331	1	28
119934-59910	13	134	123915-44741	12	16	129900-01200	1	27		20	2
119940-39470	11	1	124070-13300	11	24	129900-01250	1	4	129907-07900	4	69
120130-22301	9	23	124160-01751	2	14	129900-01850	2	26	129907-11100	4	11
121252-39150	11	6		4	49	129900-01870	2	27	129907-11110	4	12
121450-42450	12	38	124160-11340	4	16	129900-02020	1	6	129907-11120	4	13
121520-34810	10	15		20	10	129900-02341	1	33	129907-11250	4	31
121750-59890	10	11	124160-11360	4	50	129900-02410	1	9	129907-11260	4	32
	16	12	124223-39900	11	5	129900-02931	1	24	129907-11270	4	33

Parts No. Index

Parts No.	Fig. No.	Ref. No.
129907-11341	4	30
129907-11510	4	17
129907-11650	4	35
129907-11660	4	39
129907-11800	4	73
129907-11910	4	26
129907-11920	4	43
129907-11950	4	27
129907-12110	5	1
	20	15
129907-14400	7	2
129907-21580	9	12
129907-21680	9	9
129907-25900	7	15
129907-51560	13	58
129907-59140	16	13
129908-01500	2	3
129908-13660	6	7
129908-14581	7	3
129908-18100	6	9
129908-21000	9	1
129908-32060	2	4
129908-33010	10	1
129908-33101	10	4
129908-39410	11	30
129908-39690	11	26
	20	34
129908-49060	10	6
129908-77210	18	1 -1
129908-77220	18	9 -1
129908-77360	18	8 -1
129908-77940	18	15
129916-01710	3	7
129916-01790	3	6
129916-01800	2	25
129916-21610	9	7
129916-49530	12	25
129927-13810	6	17
	20	21
129927-13910	6	25
	20	22
129927-13920	6	26
	20	23
129927-22050	9	17
129927-39060	11	13
129927-42140	2	7 A
129927-44900	12	20
129927-49610	12	42
129927-49620	12	46
129927-51250	13	141

Parts No.	Fig. No.	Ref. No.
129927-51650	13	125
129927-51660	13	126
129927-51670	13	129
129927-59550	16	16
129927-59810	15	47
129927-59820	15	48
129927-59830	15	49
129927-59840	15	50
129927-75900	19	19
129927-77600	19	11
		20
129927-77680	19	12
		21
129928-07900	4	70
129928-11700	4	2
129928-12100	5	3
129928-12150	5	2
129928-13400	6	12
129928-13410	6	13
		14
	20	20
129928-13700	5	4
129928-13710	5	5
129928-13720	5	6
	20	16
129928-13800	6	16
129928-13810	6	18
129928-13900	6	24
129928-18010	8	1
129928-22080	9	15
129928-49400	12	21
129928-49410	12	22
129928-49420	12	50
129928-49620	12	55
129928-49800	12	19
129928-51390	13	25
129928-51900	13	11
129928-53000	15	2
129928-79700	12	59
129930-13201	20	24
129933-11310	4	60
	20	14
129933-55810	16	2
129945-18210	5	12
129948-13100	6	2
129948-13150	6	1
129948-42100	12	2
129948-49610	12	51
129949-03140	4	58
129949-03170	4	56

Parts No.	Fig. No.	Ref. No.
129949-11400	4	51
129949-18220	5	13
129949-18230	5	14
129949-39060	11	4
129949-75140	19	1
129951-01740	2	16
129953-25300	7	14
129953-34830	10	16
129953-35000	10	21
129957-59120	16	6
129960-03990	12	52
		56
129960-21640	9	8
129961-59110	16	11
129961-59310	16	8
129974-39600	11	25
129978-03030	4	57
129981-01600	3	2
129C26-01890	2	21
	20	28
144626-51090	13	13
158552-51571	13	59
158552-51580	13	62
158552-51670	13	130
158552-51781	13	101
158552-52100	13	132
158552-52311	13	110
158552-52400	13	111
158552-52500	13	133
158553-51670	13	67
158553-51680	13	79
158553-51930	13	104
	14	2
158553-61780	14	27
158557-51570	13	60
158557-61720	14	16
158563-51150	13	16
158563-51281	13	23
		24
158563-51330	13	35
158600-51270	13	22
158601-51550	13	57
158601-51650	13	128
158601-51770	13	100
158601-51790	13	102
171008-77410	17	3
171008-77420	17	4
171008-77450	17	8
171008-77670	17	18
171008-77750	17	29

Parts No.	Fig. No.	Ref. No.
171051-01921	1	5
171056-49120	10	14
198461-52950	18	14
22190-080002	11	8
		10
		10 -1
		18
		20
		22
	16	21
	20	32
22190-120002	12	31
	13	105
		112
		135
	14	28
	20	38
22190-180002	13	106
22190-220002	3	10
	20	8
22190-300002	20	30
22217-050000	13	136
22217-180000	13	113
22252-000300	9	24
22312-050140	13	114
22351-030010	11	37
22351-050010	13	115
22351-060012	1	10
22512-070140	7	7
	9	6
22857-500100	4	64
		65
22877-500080	19	14
		23
23000-025000	10	12
	11	28
23000-054000	5	15
23000-070000	5	16
23080-012000	12	45
		49
23414-080000	12	35
	20	40
23414-100000	11	11
	20	33
23857-030000	11	9
		19
23875-030000	12	23
		32
23876-020000	4	8
23876-030000	1	11

Parts No. Index

Parts No.	Fig. No.	Ref. No.
23876-030000	1	12
		13
		29
24311-000070	2	8
		9
		116
24311-000120	4	5
		28
24311-000320	2	13
		15
		68
24321-000600	20	7
		13
		29
24321-000700	20	31
		22
24341-000480	14	22
		10
24341-000530	9	10
		27
24351-030750	2	9
		6
24356-190200	13	70
		117
24356-240210	13	118
24372-000150	13	71
25153-004500	12	15
26014-080202	6	10
26014-080252	18	13
26106-060102	13	119
26106-060122	4	66
26106-060162	13	137
		29
26106-060202	14	23
		7
26106-060252	5	8
		33
		29
26106-060302	12	12
26106-060352	13	120
26106-080122	3	11
		26
26106-080162	2	12
		21
		23
26106-080162	4	36
		60
		10
		22
		28
26106-080162	4	71

Parts No.	Fig. No.	Ref. No.
26106-080162	7	8
		27
26106-080202	2	11
		17
		72
26106-080252	4	142
		24
		143
26106-080302	13	3
		19
26106-080352	14	29
		45
26106-080402	2	21
		12
26106-080452	4	18
		10
26106-080552	6	20
		21
26106-080602	7	13
		46
26106-080702	12	37
		30
26106-080752	2	19
		11
26106-080802	5	22
		22
26106-080902	6	27
		18
26106-100252	6	28
		30
26106-100402	12	9
		4
26106-100702	3	5
		9
26106-101052	5	5
		44
26106-120252	2	48
		11
26116-101202	6	23
		4
26206-100352	2	13
		10
26206-100702	5	51
		121
26216-060202	13	59
		138
26216-100302	4	122
		139
26226-080222	13	122
		139
26306-080002	6	11
		23
26306-100002	8	4
		13
26366-060002	2	10
		51
26450-100452	15	121
		59
26587-050102	4	138
		122
26716-050002	13	122
		139
26776-180002	13	122
		139
27241-160000	13	139

Parts No.	Fig. No.	Ref. No.
27241-300000	1	14
		10
27241-400000	4	22
		30
27310-070001	4	23
		36
729900-02801	1	1
		34
729907-01559	2	1
		1
729927-22950	9	34
		1
729928-01560	9	1
		1
729928-22900	15	1
		1
729928-53100	20	1
		1
729928-92600	13	44
		16
729949-51360	20	17
		16
977770-1207F	17	11
		17
X2114955020	17	11
		11
X2130631300	17	11
		11

Parts No.	Fig. No.	Ref. No.
-----------	----------	----------