

0CD50-M02190EN

P R E F A C E

This parts catalog is the 1st edition of 4TNV98T-ZCSTY for YITUO.

Published : March, 2016

Contents

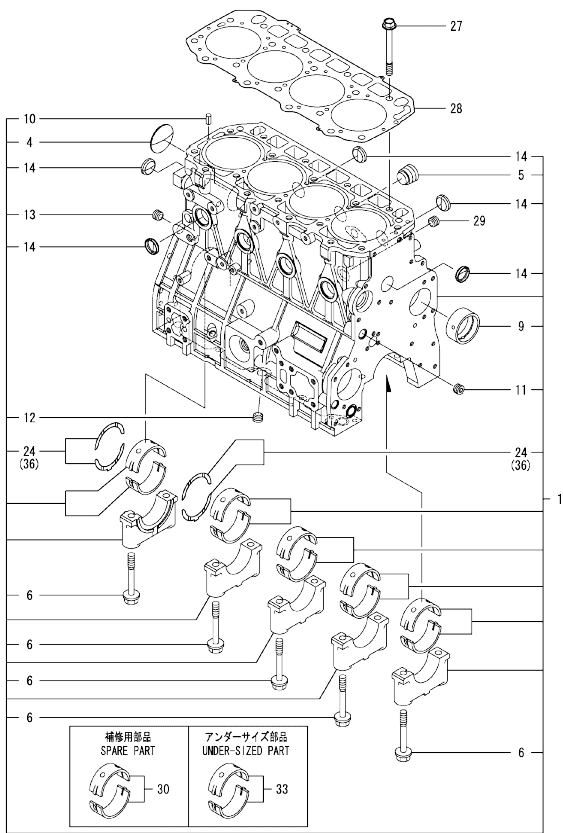
0CD50-M02190

Fig. No.	Fig. Name	Fig. No.	Fig. Name
4	TNV98T-ZCSTY		
1.	CYLINDER BLOCK		
2.	GEAR HOUSING		
3.	FLYWHEEL HOUSING & OIL SUMP		
4.	CYLINDER HEAD & BONNET		
5.	SUCTION MANIFOLD		
6.	EXHAUST MANIFOLD		
7.	CAMSHAFT & DRIVING GEAR		
8.	TURBINE		
9.	CRANKSHAFT & PISTON		
10.	LUB. OIL SYSTEM		
11.	LUB. OIL PIPE		
12.	COOLING WATER SYSTEM		
13.	FUEL INJECTION PUMP		
14.	GOVERNOR		
15.	FUEL INJECTION VALVE		
16.	FUEL PIPE		
17.	STARTER MOTOR		
18.	GENERATOR		
19.	ELECTRONIC CONTROL UNIT(ECU)		
20.	ELECTRIC PARTS		

Fig.1. CYLINDER BLOCK

(A)=4TNV98T-ZCSTY
(B)=
(C)=

(D)=
(E)=
(F)=

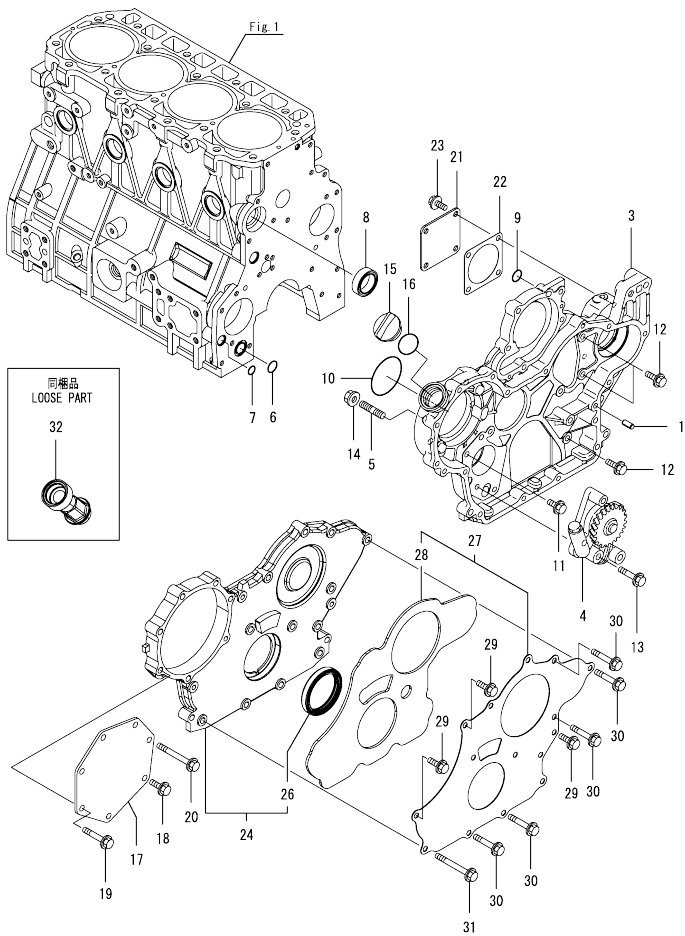


No.	Lev.	Parts No.	Description	Q'ty						I	R	
				(A)	(B)	(C)	(D)	(E)	(F)			
1	1	729928-01560	BLOCK ASSY, CYLINDER	1								
4	2	129900-01250	PLUG, DISH TYPE 55	1								
5	2	171051-01921	PLUG, NPTF1	1								
6	2	129900-02020	BOLT, METAL CAP	10								
9	2	129900-02410	BUSH, CAMSHAFT	1								
10	2	22351-060012	PIN, SPRING 6.0X12	2								
11	2	23876-030000	PLUG, R03	1								
12	2	23876-030000	PLUG, R03	1								
13	2	23876-030000	PLUG, R03	1								
14	2	27241-300000	PLUG 30	8								
24	2	129900-02931	BEARING ASSY, THRUST	2								
27	1	129900-01200	BOLT, CYLINDER HEAD	18								
28	1	129907-01331	GASKET, HEAD	1								
29	1	23876-030000	PLUG, R03	1								
30	1	729900-02801	BEARING, MAIN	5								1
33	1	129900-02341	BEARING ASSY, MAIN	5								2
36	1	129900-02941	BEARING, THRUST 0.25	2								3

Remarks
(1) Spare parts.
(2) Under-sized (U.S.=0.25) parts.
(3) Over-sized (O.S.=0.25) parts.

OCD50-M02190 4TNV98T-ZCSTY
 Fig.2. GEAR HOUSING

OCD50-M02190 Fig.2

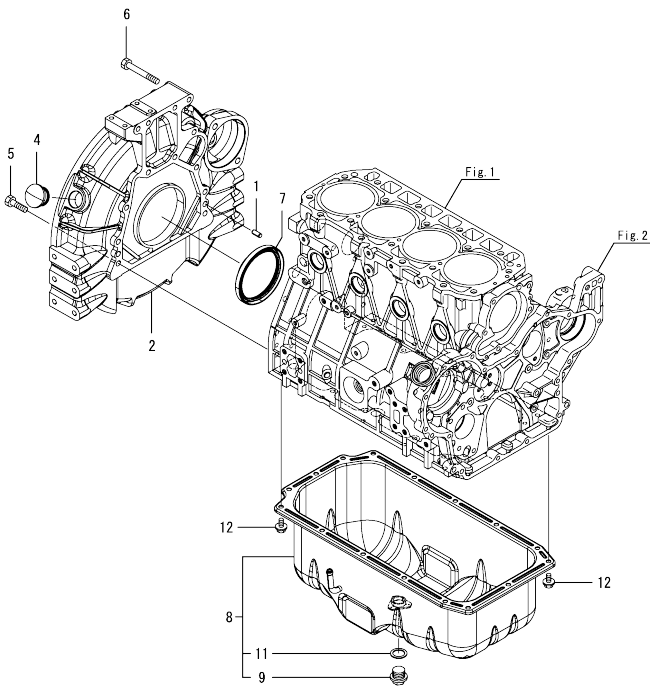


(A)=4TNV98T-ZCSTY
 (B)=
 (C)=

(D)=
 (E)=
 (F)=

No.	Lev.	Parts No.	Description	Qty						I	R
				(A)	(B)	(C)	(D)	(E)	(F)		
1	1	129100-01580	PIN, PARALLEL 8X16	4							
3	1	129948-01500	CASE ASSY, GEAR	1							
3-1	1	129908-01500	CASE, GEAR	1							N
(A=E17427A)											
4	1	129908-32060	PUMP ASSY, OIL	1							
5	1	26216-100302	STUD, M10X 30	4							
6	1	129900-32030	O-RING, P20	1							
7	1	129900-32040	O-RING, P14	1							
8	1	129927-42140	GASKET, CW-P OUT	1							
9	1	24311-000070	O-RING, 1AP7.0	1							
10	1	24351-030750	O-RING, 1A3075	1							
11	1	26106-080162	BOLT, M8X 16 PLATED	1							
12	1	26106-080202	BOLT, M8X 20 PLATED	3							
13	1	26106-080452	BOLT, M8X 45 PLATED	3							
14	1	26306-100002	NUT, M10	4							
15	1	124160-01751	CAP FILLER	1							
16	1	24311-000320	O-RING, 1AP32.0	1							
17	1	129951-01740	COVER	1							
18	1	26106-080202	BOLT, M8X 20 PLATED	1							
19	1	26106-080452	BOLT, M8X 45 PLATED	5							
20	1	26106-080752	BOLT, M8X 75 PLATED	1							
21	1	124240-01871	COVER, PUMP	1							
22	1	129C26-01890	GASKET, HO-P	1							
23	1	26106-080162	BOLT, M8X 16 PLATED	4							
24	1	729907-01559	COVER ASSY,GEAR CASE	1							
26	2	129916-01800	SEAL, OIL	1							
27	1	129900-01850	COVER ASSY,GEAR CASE	1							
28	2	129900-01870	SPONGE, GEAR CASE	1							
29	1	26106-080162	BOLT, M8X 16 PLATED	3							
30	1	26106-080402	BOLT, M8X 40 PLATED	5							
31	1	26106-080702	BOLT, M8X 70 PLATED	6							
32	1	121027-11743	PIPE	1							

Fig.3. FLYWHEEL HOUSING & OIL SUMP

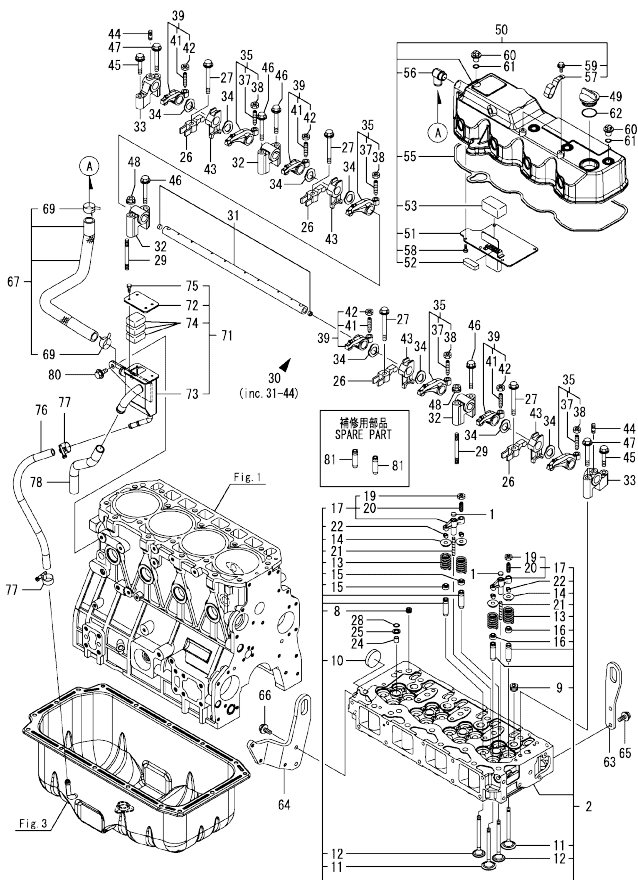


(A)=4TNV98T-ZCSTY
(B)=
(C)=

(D)=
(E)=
(F)=

No.	Lev.	Parts No.	Description	Q'ty					
				(A)	(B)	(C)	(D)	(E)	(F)
1	1	129100-01580	PIN, PARALLEL 8X16	2					
2	1	129900-01620	HOUSING, FLYWHEEL	1					
4	1	119620-01750	CAP	1					
5	1	26206-100352	BOLT, M10X 35 PLATED	9					
6	1	26206-100702	BOLT, M10X 70 PLATED	4					
7	1	129916-01790	SEAL, D115/95XT11	1					
8	1	129933-01720	OIL PAN ASSY	1					
9	2	119640-01640	PLUG, DRAIN M22	1					
11	2	22190-220002	WASHER, SEAL 22	1					
12	1	26106-080122	BOLT, M8X 12 PLATED	16					

Fig.4. CYLINDER HEAD & BONNET



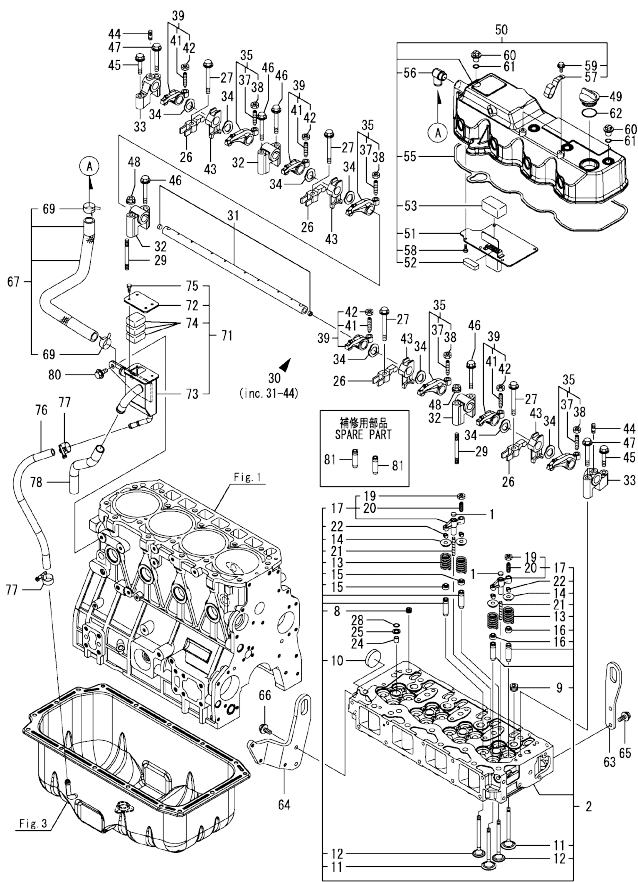
(A)=4TNV98T-ZCSTY
(B)=
(C)=

(D)=
(E)=
(F)=

No.	Lev.	Parts No.	Description	Q'ty						I	R
				(A)	(B)	(C)	(D)	(E)	(F)		
1	1	123907-11550	SEAT, VALVE BRIDGE	8							
2	1	129928-11710	HEAD ASSY, CYLINDER	1							
8	2	23876-020000	PLUG, R02	1							
9	2	23876-030000	PLUG, R03	4							
10	2	27241-400000	PLUG, 40	1							
11	2	129985-11100	VALVE, INTAKE	8							
12	2	129907-11110	VALVE, EXHAUST	8							
13	2	129907-11120	SPRING, VALVE	16							
14	2	119620-11180	RETAINER, SPRING	16							
15	2	119803-11340	SEAL, VALVE STEM	8							
16	2	124160-11340	SEAL, VALVE STEM	8							
17	2	129907-11510	BRIDGE ASSY, VALVE	8							
19	3	129150-11750	NUT, M8	8							
20	3	123907-11830	ADJUSTER	8							
21	2	123907-11820	GUIDE, BRIDGE	8							
22	2	27310-070001	COTTER, 7	16							
24	1	119802-11870	PROTECTOR, NOZZLE	4							
25	1	119625-11880	SEAT, NOZZLE	4							
26	1	129907-11910	RETAINER, NOZZLE	4							
27	1	129907-11950	BOLT, M8X75	4							
28	1	24311-000120	O-RING, 1AP12.0	4							
29	1	119593-11301	BOLT, STUD M8X80	2							
30	1	129907-11341	SHAFT ASSY, ROCKER	1							
31	2	129907-11250	SHAFT, ROCKER ARM	1							
32	2	129907-11260	SUPPORT, ROCKER ARM	3							
33	2	129907-11270	SUPPORT, ROCKER ARM	2							
34	2	123907-11280	WASHER	8							
35	2	129907-11650	ARM ASSY, ROCKER	4							
37	3	129150-11230	SCREW, VALVE ADJUST	4							
38	3	129150-11750	NUT, M8	4							
39	2	129907-11660	ARM ASSY, ROCKER	4							
41	3	129150-11230	SCREW, VALVE ADJUST	4							
42	3	129150-11750	NUT, M8	4							
43	2	129907-11920	RETAINER, NOZZLE	4							
44	2	26226-080222	STUD, M8X 22	2							
45	1	26106-080402	BOLT, M8X 40 PLATED	2							
46	1	26106-080602	BOLT, M8X 60 PLATED	4							
47	1	26106-080602	BOLT, M8X 60 PLATED	2							
48	1	26306-080002	NUT, M8	2							
49	1	124160-01751	CAP, FILLER	1							
50	1	129948-11300	BONNET ASSY, HEAD	1							
51	2	129907-03011	PLATE, BAFFLE	1							
52	2	129907-03061	BAFFLE, BREATHER	1							
53	2	129907-03070	BAFFLE, BREATHER	1							
55	2	129933-11310	GASKET, BONNET	1							
56	2	119100-11330	ELBOW, BREATHER	1							
57	2	129509-79700	CLAMP, 140-M6	2							
58	2	22857-500100	SCREW, 5X10	6							
59	2	26106-060122	BOLT, M6X 12 PLATED	2							
60	1	124160-11360	KNOB	4							
61	1	24311-000120	O-RING, 1AP12.0	4							

Remarks
(1)Spare parts.

Fig.4. CYLINDER HEAD & BONNET



(A)=4TNV98T-ZCSTY
(B)=
(C)=

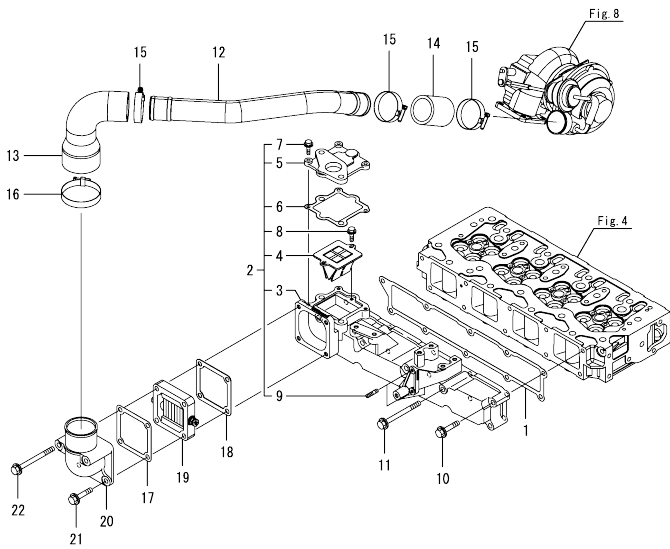
(D)=
(E)=
(F)=

No.	Lev.	Parts No.	Description	Q'ty						I	R
				(A)	(B)	(C)	(D)	(E)	(F)		
62	1	24311-000320	O-RING, 1AP32.0	1							
63	1	129907-07900	LIFTER, ENGINE	1							
64	1	129948-07900	LIFTER, ENGINE	1							
65	1	26106-080162	BOLT, M8X 16 PLATED	2							
66	1	26106-080202	BOLT, M8X 20 PLATED	2							
67	1	129948-03080	HOSE ASSY, BREATHER	1							
69	2	129410-03990	CLAMP, HOSE 21.5	2							
71	1	129972-03240	SEPARATOR ASSY, MIST	1							
72	2	129972-03220	COVER, SEPARATOR	1							
73	2	129972-03230	SEPARATOR, MIST	1							
74	2	123901-03240	FILTER	3							
75	2	26116-050102	BOLT, M5X 10 PLATED	4							
76	1	129948-03310	HOSE, BREATHER	1							
77	1	23000-022000	CLAMP, 22	2							
78	1	23065-160250	PIPE, 16X 250	1							
80	1	26106-080142	BOLT, M8X 14 PLATED	2							
81	1	129907-11800	GUIDE, VALVE	16							1

Remarks

(1) Spare parts.

Fig.5. SUCTION MANIFOLD



(A)=4TNV98T-ZCSTY
(B)=
(C)=

(D)=
(E)=
(F)=

No.	Lev.	Parts No.	Description	Q'ty						I	R
				(A)	(B)	(C)	(D)	(E)	(F)		
1	1	129907-12110	GASKET, MANIFOLD	1							
2	1	129928-12150	MANIFOLD ASSY,INTAKE	1							
3	2	129928-12100	MANIFOLD, AIR INTAKE	1							
4	2	129928-13700	VALVE, LEAD	1							
5	2	129928-13710	SPACER, EGR VALVE	1							
6	2	129928-13720	GASKET	1							
7	2	26106-060202	BOLT, M6X 20 PLATED	3							
8	2	26106-060202	BOLT, M6X 20 PLATED	2							
9	2	26216-060202	STUD, M6X 20	2							
10	1	26106-080452	BOLT, M8X 45 PLATED	6							
11	1	26106-080802	BOLT, M8X 80 PLATED	4							
12	1	129949-18200	DUCT, AIR	1							
13	1	129949-18210	JOINT, RUBBER	1							
14	1	123951-18220	JOINT, RUBBER	1							
15	1	23000-054000	CLAMP, 54	3							
16	1	23000-070000	CLAMP, 70	1							
17	1	119129-77020	GASKET	1							
18	1	121850-77021	GASKET, AIR HEATER	1							
19	1	119005-77051	HEATER, AIR	1							
20	1	119129-77520	BEND	1							
21	1	26106-080402	BOLT, M8X 40 PLATED	2							
22	1	26106-080902	BOLT, M8X 90 PLATED	2							

Fig.6. EXHAUST MANIFOLD

(A)=4TNV98T-ZCSTY
(B)=
(C)=

(D)=
(E)=
(F)=

No.	Lev.	Parts No.	Description	Q'ty						I	R
				(A)	(B)	(C)	(D)	(E)	(F)		
1	1	129948-13150	MANIFOLD ASSY, EXH.	1							
2	2	129948-13100	MANIFOLD, EXHAUST	1							
3	2	119131-18320	BOLT, STUD M8X22	4							
4	2	129418-18320	BOLT, STUD M8X20	2							
5	1	129900-13251	GASKET, EXH.MANIFOLD	1							
6	1	129E00-13640	BOLT, M8X80 10.9T	8							
7	1	129928-13400	COOLER ASSY, EGR	1							
8	1	129928-13410	GASKET	1							
9	1	129928-13410	GASKET	1							
10	1	119802-13791	BOLT, M8X25 10.9T	2							
11	1	129948-13800	PIPE, EGR IN	1							
12	1	129927-13810	GASKET	1							
13	1	129948-13810	PIPE, EGR IN	1							
14	1	26106-080352	BOLT, M8X 35 PLATED	1							
15	1	26106-080452	BOLT, M8X 45 PLATED	1							
16	1	26106-080552	BOLT, M8X 55 PLATED	2							
17	1	26106-100252	BOLT, M10X 25 PLATED	2							
18	1	26306-080002	NUT, M8	2							
19	1	129928-13900	VALVE, EGR	1							
20	1	129927-13910	GASKET, EGR	1							
21	1	129927-13920	GASKET, EGR	1							
22	1	26106-100402	BOLT, M10X 40 PLATED	1							
23	1	26106-101052	BOLT, M10X105 PLATED	1							
24	1	123901-18080	GASKET	1							

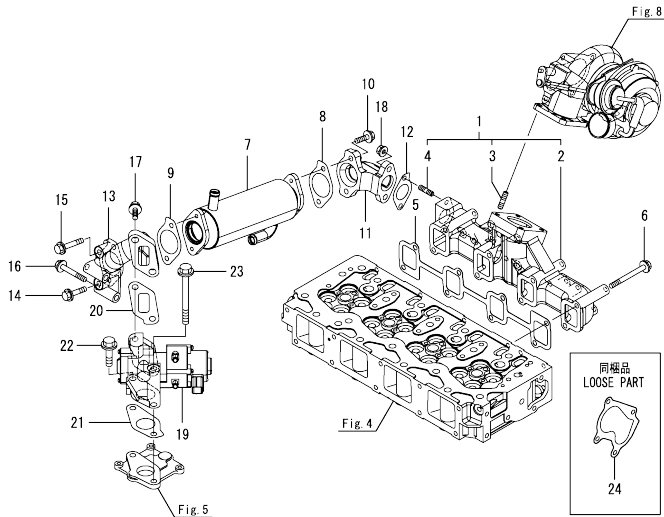
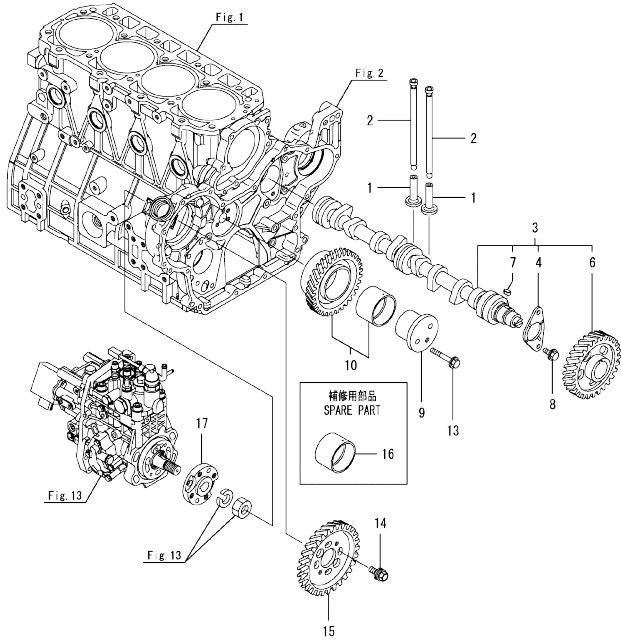


Fig.7. CAMSHAFT & DRIVING GEAR



(A)=4TNV98T-ZCSTY
(B)=
(C)=

(D)=
(E)=
(F)=

No.	Lev.	Parts No.	Description	Q'ty						I	R
				(A)	(B)	(C)	(D)	(E)	(F)		
1	1	129150-14200	TAPPET	8							
2	1	129907-14400	PUSH-ROD	8							
3	1	129908-14581	CAMSHAFT ASSY	1							
4	2	129150-02450	BEARING, THRUST	1							
6	2	129900-14100	GEAR, CAMSHAFT	1							
7	2	22512-070140	KEY, 7X 14	1							
8	1	26106-080142	BOLT, M8X 14 PLATED	2							
9	1	123900-25060	SHAFT, IDLE GEAR	1							
10	1	129900-25100	GEAR ASSY, IDLE	1							
13	1	26106-080552	BOLT, M8X 55 PLATED	3							
14	1	129953-25300	BOLT	4							
15	1	129907-25900	GEAR, PUMP	1							
16	1	129150-25920	BUSH, IDLE GEAR	1							1
17	1	158563-51150	FLANGE	1							

Remarks

(1)Spare parts.

Fig.8. TURBINE

(A)=4TNV98T-ZCSTY
(B)=
(C)=

(D)=
(E)=
(F)=

No.	Lev.	Parts No.	Description	Q'ty						I	R
				(A)	(B)	(C)	(D)	(E)	(F)		
1	1	129948-18010	TURBOCHARGER, RHF5	1							
2	1	129472-18090	GASKET	1							
3	1	119131-18320	BOLT, STUD M8X22	4							
4	1	26306-080002	NUT, M8	4							

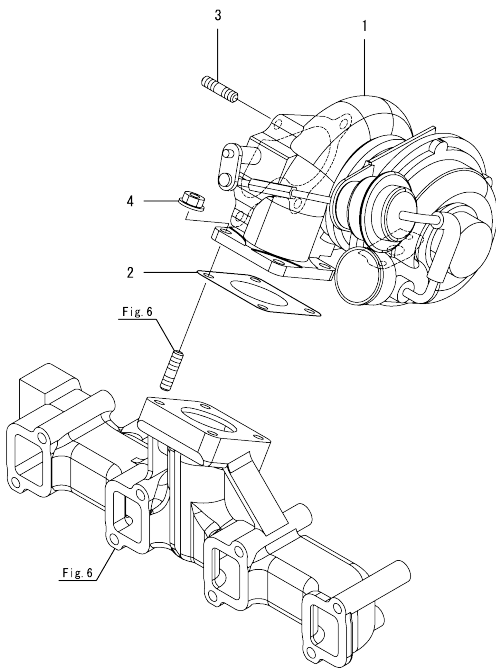
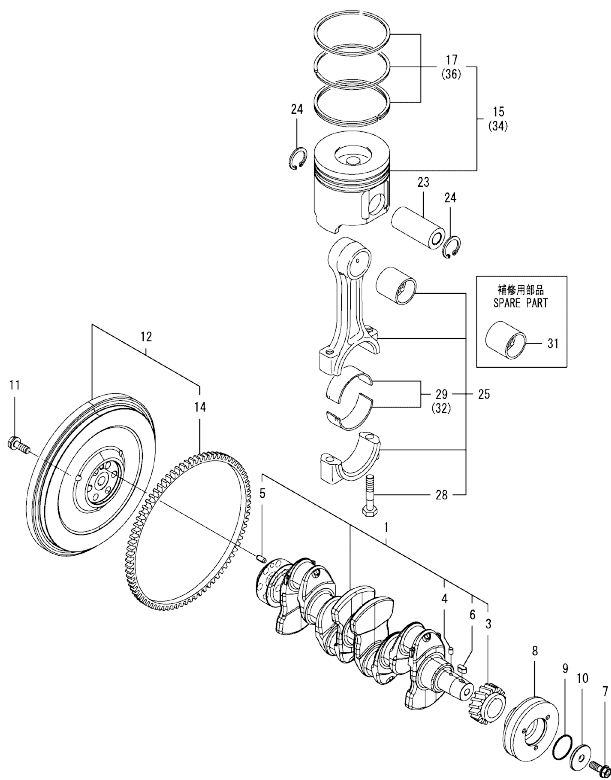


Fig.9. CRANKSHAFT & PISTON



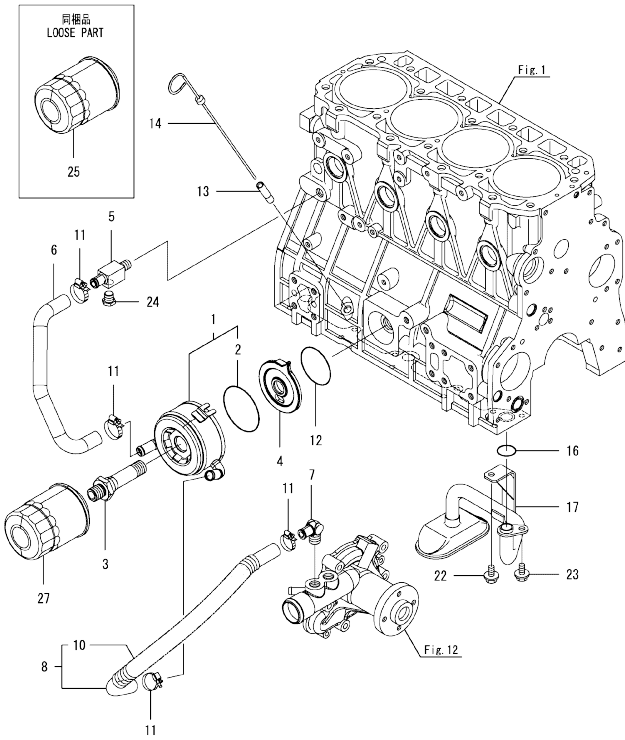
Remarks
 (1) Spare parts.
 (2) Under-sized (U.S.=0.25) parts.
 (3) Over-sized (O.S.=0.25) parts.

(A)=4TNV98T-ZCSTY
 (B)=
 (C)=

(D)=
 (E)=
 (F)=

No.	Lev.	Parts No.	Description	Q'ty						I	R
				(A)	(B)	(C)	(D)	(E)	(F)		
1	1	129908-21000	CRANKSHAFT ASSY	1							
3	2	129900-21200	GEAR, CRANKSHAFT	1							
4	2	121850-21290	PIN	1							
5	2	121850-21920	PIN, PARALLEL 10X22	1							
6	2	22512-070140	KEY, 7X 14	1							
7	1	129916-21610	BOLT	1							
8	1	129944-21650	V-PULLEY, CRANK 130B	1							
9	1	129960-21930	GASKET, WASHER	1							
10	1	129960-21940	WASHER, V-PULLEY	1							
11	1	121850-21130	BOLT, FLYWHEEL	6							
12	1	129916-21590	FLYWHEEL ASSY	1							
14	2	129900-21600	GEAR, RING	1							
15	1	129928-22080	PISTON ASSY	4							
17	2	129927-22050	RING SET, PISTON	4							
23	1	120130-22301	PIN, PISTON	4							
24	1	22252-000300	RING, 30	8							
25	1	129900-23001	ROD ASSY, CONNECTING	4							
28	2	129900-23200	BOLT, CONNECTING ROD	8							
29	2	129900-23601	BEARING, CRANK PIN	4							
31	1	129900-23911	BEARING, PISTON PIN	4							1
32	1	129900-23611	BEARING ASSY, 0.25US	4							2
34	1	729928-22900	PISTON ASSY, 0.25 OS	4							3
36	2	729927-22950	RING SET, 0.25 OS	4							3

Fig.10. LUB. OIL SYSTEM



(A)=4TNV98T-ZCSTY
(B)=
(C)=

(D)=
(E)=
(F)=

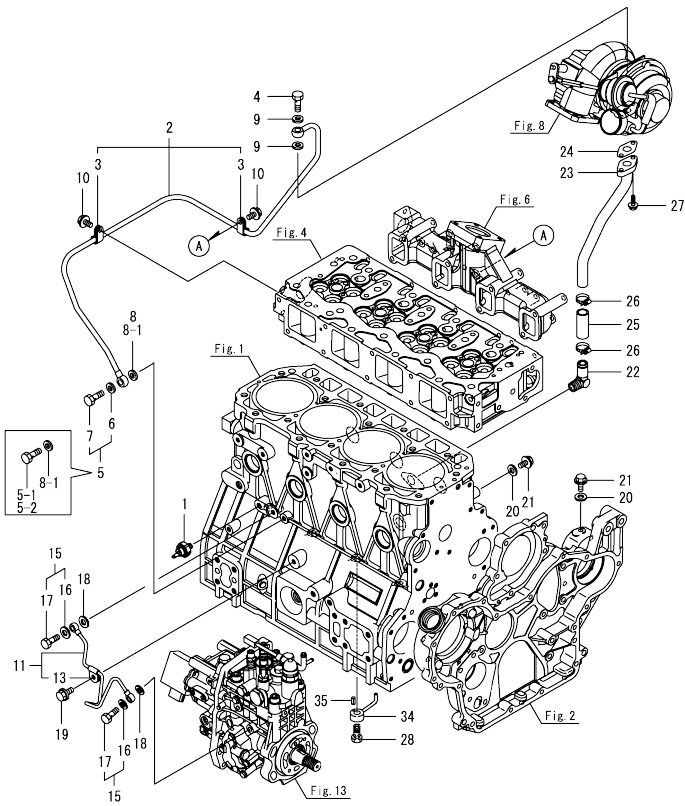
No.	Lev.	Parts No.	Description	Q'ty						I	R
				(A)	(B)	(C)	(D)	(E)	(F)		
1	1	129908-33010	COOLER ASSY, OIL	1							
2	2	123912-33050	O-RING	1							
3	1	123912-33100	BOLT, COOLER	1							
4	1	129908-33101	BRACKET, OIL COOLER	1							
5	1	129006-44480	JOINT	1							
6	1	129908-49060	HOSE, WATER	1							
7	1	129466-49300	ELBOW, PT3/8	1							
8	1	123910-49600	HOSE ASSY WATER	1							
10	2	123910-49610	TUBE, CORRUGATED	1							
11	1	23000-025000	CLAMP, 25	4							
12	1	24321-000600	O-RING, 1AG60.0	1							
13	1	121520-34810	GUIDE, DIPSTICK	1							
14	1	129906-34851	DIPSTICK	1							
16	1	129900-32030	O-RING, P20	1							
17	1	129953-35000	PIPE ASSY, OIL INLET	1							
22	1	26106-080122	BOLT, M8X 12 PLATED	1							
23	1	26106-080162	BOLT, M8X 16 PLATED	1							
24	1	171056-49120	PLUG, DRAIN R1/4	1							
25	1	119005-35151	FILTER, D80X100	1							1
27	1	119005-35151	FILTER, D80X100	1							1

Remarks

(1)Spare parts.

OCD50-M02190 4TNV98T-ZCSTY
 Fig.11. LUB. OIL PIPE

OCD50-M02190 Fig.11

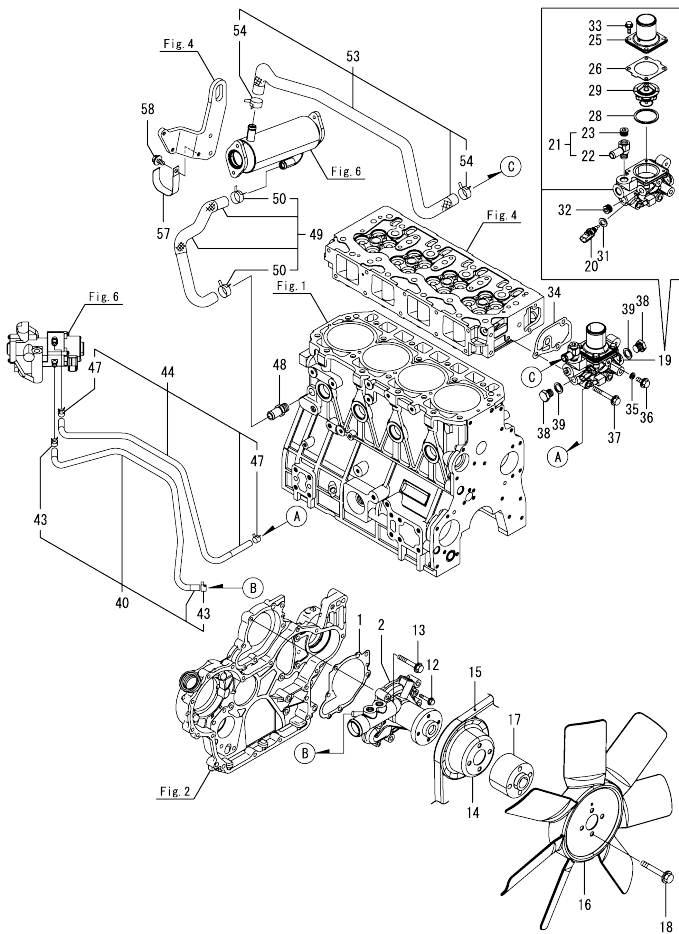


(A)=4TNV98T-ZCSTY
 (B)=
 (C)=

(D)=
 (E)=
 (F)=

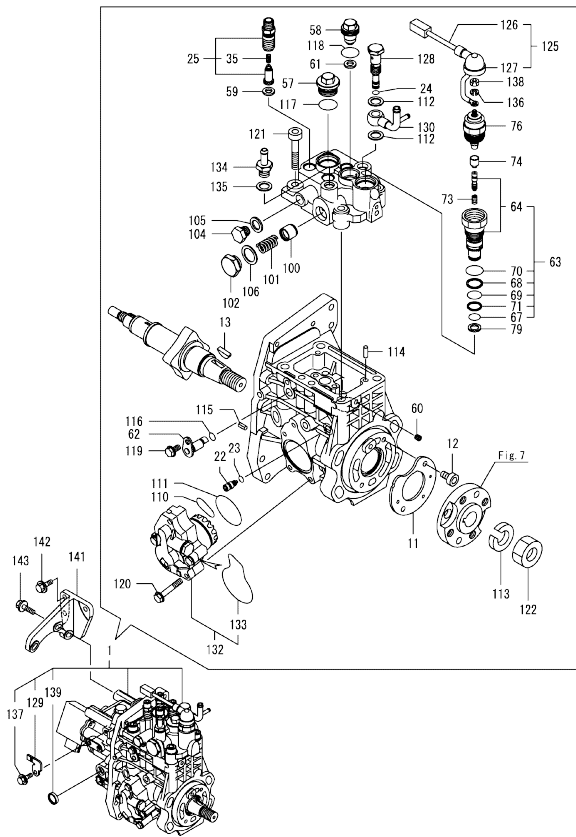
No.	Lev.	Parts No.	Description	Q'ty						I	R
				(A)	(B)	(C)	(D)	(E)	(F)		
1	1	119761-39450	SWITCH, HYDRAULIC	1							
2	1	129972-39080	PIPE ASSY, OIL	1							
3	2	124223-39900	RETAINER	2							
4	1	121252-39150	BOLT, JOINT M10X1.5	1							
5	1	129005-59830	BOLT ASSY, JOINT M8	1							
5-1	1	105010-39140	BOLT, PIPE JOINT M8	1							S
		(A=2016.08)									
5-2	1	129198-59540	BOLT, PIPE JOINT M8	1							S
		(A=2020.06)									
6	2	22190-080002	WASHER, SEAL 8	1							Z
		(A=2016.08)									
7	2	23857-030000	BOLT, JOINT 3	1							Z
		(A=2016.08)									
8	1	22190-080002	WASHER, SEAL 8	1							
8-1	1	22190-080002	WASHER, SEAL 8	2							K
		(A=2016.08)									
9	1	23414-100000	GASKET, 10X1.0	2							
10	1	26106-080122	BOLT, M8X 12 PLATED	2							
11	1	129927-39060	PIPE ASSY, OIL	1							
13	2	123907-39500	RETAINER, PIPE	1							
15	1	129005-59830	BOLT ASSY, JOINT M8	2							
16	2	22190-080002	WASHER, SEAL 8	2							
17	2	23857-030000	BOLT, JOINT 3	2							
18	1	22190-080002	WASHER, SEAL 8	2							
19	1	26106-080122	BOLT, M8X 12 PLATED	1							
20	1	22190-080002	WASHER, SEAL 8	2							
21	1	26106-080122	BOLT, M8X 12 PLATED	2							
22	1	124070-13300	ELBOW, PT3/8	1							
23	1	129908-39610	PIPE, OIL	1							
24	1	129908-39690	GASKET	1							
25	1	123901-39820	HOSE, LO RETURN	1							
26	1	23000-025000	CLAMP, 25	2							
27	1	26106-060162	BOLT, M6X 16 PLATED	2							
28	1	129908-39410	VALVE ASSY, CHECK	4							
34	1	119000-39650	NOZZLE, COOLING	4							
35	1	22351-030010	PIN, SPRING 3.0X10	4							

Fig.12. COOLING WATER SYSTEM



No.	Lev.	Parts No.	Description	Q'ty						I	R
				(A)	(B)	(C)	(D)	(E)	(F)		
1	1	129900-42020	GASKET, WATER PUMP	1							
2	1	129948-42110	PUMP ASSY, WATER	1							
12	1	26106-060302	BOLT, M6X 30 PLATED	2							
13	1	26106-080552	BOLT, M8X 55 PLATED	5							
14	1	123900-42471	V-PULLEY, WATER PUMP	1							
15	1	129C20-42290	V-BELT, B42.5CH	1							
15-1	1	129940-42240	V-BELT, B44	1							N
(A=E17427A)											
16	1	123900-44732	FAN, COOLING D500	1							
17	1	123910-44771	SPACER, FAN 50	1							
18	1	26106-100702	BOLT, M10X 70 PLATED	4							
19	1	129928-49800	CASE ASSY, THERMOSTAT	1							
20	2	129927-44900	SENSOR, WATER TEMP.	1							
21	2	129928-49400	JOINT ASSY	1							
22	3	129928-49410	JOINT	1							
23	3	23875-030000	PLUG, R03	1							
25	2	129916-49530	COVER, THERMOSTAT	1							
26	2	121850-49540	GASKET, THERMOSTAT	1							
28	2	121850-49550	GASKET, THERMOSTAT	1							
29	2	121850-49811	THERMOSTAT, 71C	1							
31	2	22190-120002	WASHER, SEAL 12	1							
32	2	23875-030000	PLUG, R03	1							
33	2	26106-060202	BOLT, M6X 20 PLATED	4							
34	1	129900-49870	GASKET, THERMOSTAT	1							
35	1	23414-080000	GASKET, 8X1.0	1							
36	1	26106-080122	BOLT, M8X 12 PLATED	1							
37	1	26106-080602	BOLT, M8X 60 PLATED	3							
38	1	121450-42450	PLUG, M16	2							
39	1	124465-44950	GASKET, 16	2							
40	1	129927-49610	HOSE ASSY, WATER	1							
43	2	23080-012000	CLAMP, 12	2							
44	1	129927-49620	HOSE ASSY, WATER	1							
47	2	23080-012000	CLAMP, 12	2							
48	1	129928-49420	JOINT	1							
49	1	129948-49610	HOSE ASSY, WATER	1							
50	2	129960-03990	CLAMP, HOSE 19.8	2							
53	1	129948-49620	HOSE ASSY, WATER	1							
54	2	129960-03990	CLAMP, HOSE 19.8	2							
57	1	129928-79700	CLAMP, 150-M8	1							
58	1	26106-080122	BOLT, M8X 12 PLATED	1							

Fig.13. FUEL INJECTION PUMP



(A)=4TNV98T-ZCSTY
(B)=
(C)=

(D)=
(E)=
(F)=

No.	Lev.	Parts No.	Description	Q'ty						I	R	
				(A)	(B)	(C)	(D)	(E)	(F)			
1	1	729924-51300	FIE ASSY	1							1	
1-1	1	729924-51320 (A=E17427A)	FIE ASSY	1							N	1
11	2	129928-51900	COVER	1								
12	2	129008-51920	BOLT, SOCKET M6X10	2								
13	2	144626-51090	FEATHER KEY, 5X19	1								
22	2	158600-51270	STOPPER, TAPPET	1								
23	2	158563-51281	O-RING, 4D S6	1								
24	2	158563-51281	O-RING, 4D S6	1								
25	2	129928-51390	VALVE ASSY, DELIVERY	4								
35	3	158563-51330	SPRING, DELIVERY	4								
57	2	158601-51550	PLUG, M22	1								
58	2	129907-51560	PLUG, M16	1								
59	2	158552-51571	GASKET, PLUG	4								
60	2	158557-51570	PLUG, RACK	1								
61	2	129906-51580	GASKET, PLUG	1								
62	2	158552-51580	LIFTER, LINK	1								
63	2	129657-51590	TIMER ASSY	1								
64	3	129657-51600	TIMER ASSY	1								
67	3	158553-51670	O-RING	1								
68	3	119802-51680	RING, BACKUP	1								
69	3	119802-51690	O-RING	1								
70	3	24356-190200	O-RING, 4D19020	1								
71	3	24372-000150	RING, BACK UP T2P15	1								
73	2	119852-51630	SPRING, TIMER	1								
74	2	119852-51640	CAP, TIMER	1								
76	2	119852-51650	VALVE ASSY, SOLENOID	1								
79	2	158553-51680	GASKET, TIMER	1								
100	2	158601-51770	PISTON, ACCUMULATOR	1								
101	2	158552-51781	SPRING, ACCUMULATOR	1								
102	2	158601-51790	PLUG	1								
104	2	158553-51930	PLUG, M12	1								
105	2	22190-120002	WASHER, SEAL 12	1								
106	2	22190-180002	WASHER, SEAL 18	1								
110	2	158552-52311	O-RING	1								
111	2	158552-52400	O-RING, 4E S42	1								
112	2	22190-120002	WASHER, SEAL 12	2								
113	2	22217-180000	WASHER, SPRING 18	1								
114	2	22312-050140	PIN, PARALLEL 5X14	2								
115	2	22351-050010	PIN, SPRING 5.0X10	2								
116	2	24311-000070	O-RING, 1AP7.0	1								
117	2	24356-190200	O-RING, 4D19020	1								
118	2	24356-240210	O-RING, 4D24021	1								
119	2	26106-060102	BOLT, M6X 10 PLATED	1								
120	2	26106-060352	BOLT, M6X 35 PLATED	4								
121	2	26450-100452	BOLT, M10X 45	4								
122	2	26776-180002	NUT, LOCK M18	1								
125	2	129927-51650	HARNES ASSY, WIRE	1								
126	3	129927-51660	HARNES	1								
127	3	129263-77941	CAP, RUBBER	1								
128	2	158601-51650	JOINT, OVER FLOW	1								

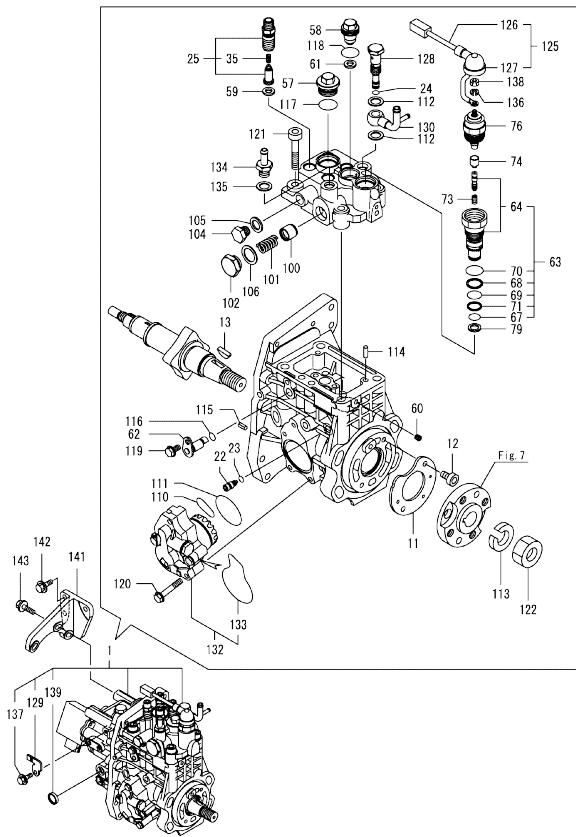
Remarks

(1)Governor(Fig.14) is incorporated in this Fuel Injection Pump(No.1).
(1)Eco pump
Make sure to update the engines ECU information when replacing the Eco pump.
Failing to do so will result in engine malfunction.

Fig.13. FUEL INJECTION PUMP

(A)=4TNV98T-ZCSTY
(B)=
(C)=

(D)=
(E)=
(F)=



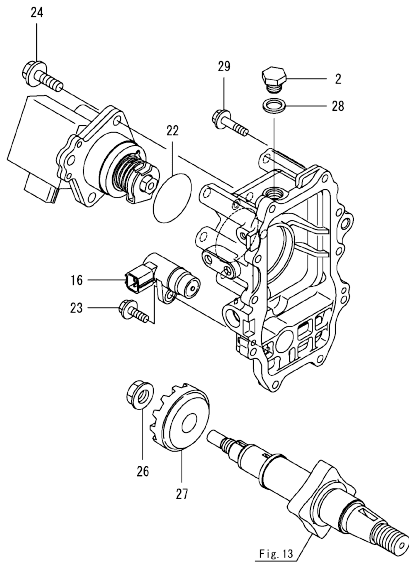
No.	Lev.	Parts No.	Description	(A)	(B)	(C)	(D)	(E)	(F)	I	R
129	2	129927-51670	BRACKET	1							
130	2	158552-51670	JOINT, OVER FLOW	1							
132	2	158552-52100	PUMP ASSY, FUEL FEED	1							
133	3	158552-52500	O-RING	1							
134	2	119934-59910	JOINT, PIPE	1							
135	2	22190-120002	WASHER, SEAL 12	1							
136	2	22217-050000	WASHER, SPRING 5	1							
137	2	26106-060122	BOLT, M6X 12 PLATED	1							
138	2	26716-050002	NUT, M5	1							
139	2	27241-160000	PLUG, 16	1							
141	1	129927-51250	RETAINER, PUMP	1							
142	1	26106-080202	BOLT, M8X 20 PLATED	3							
143	1	26106-080302	BOLT, M8X 30 PLATED	3							

Remarks

(1)Governor(Fig.14) is incorporated in this Fuel Injection Pump(No.1).
(1)Eco pump
Make sure to update the engines ECU information when replacing the Eco pump.
Failing to do so will result in engine malfunction.

OCD50-M02190 4TNV98T-ZCSTY
 Fig.14. GOVERNOR

OCD50-M02190 Fig.14



(A)=4TNV98T-ZCSTY
 (B)=
 (C)=

(D)=
 (E)=
 (F)=

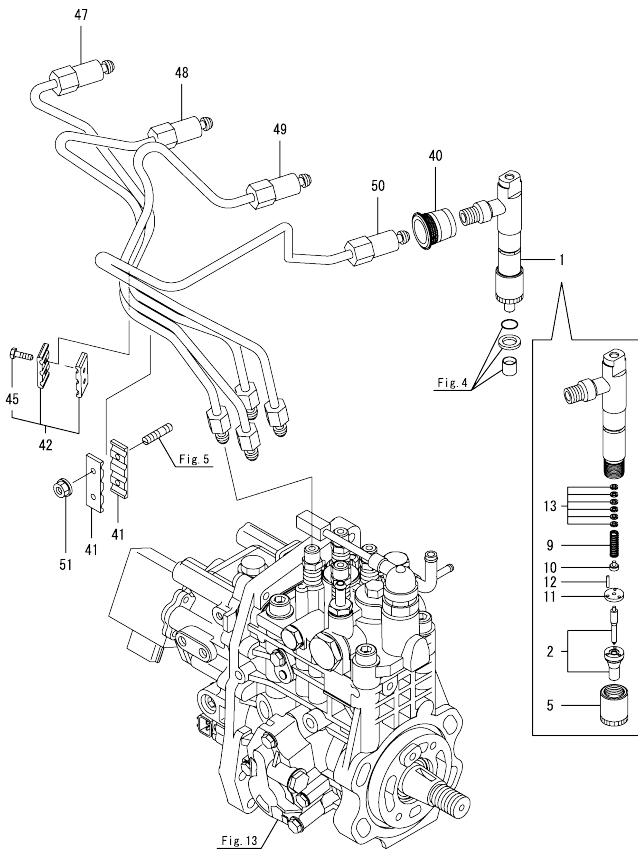
No.	Lev.	Parts No.	Description	Q'ty						I	R
				(A)	(B)	(C)	(D)	(E)	(F)		
2	2	158553-51930	PLUG, M12	1							
16	2	158557-61720	SENSOR	1							
22	2	24341-000480	O-RING, 1AS48.0	1							
23	2	26106-060162	BOLT, M6X 16 PLATED	1							
24	2	26106-080252	BOLT, M8X 25 PLATED	3							
26	2	129008-61301	NUT	1							
27	2	158553-61780	GEAR, SENSOR	1							
28	2	22190-120002	WASHER, SEAL 12	1							
29	2	26106-060252	BOLT, M6X 25 PLATED	10							

Remarks

* This figure(Governor) is incorporated in the Fuel Injection Pump(Fig.13).

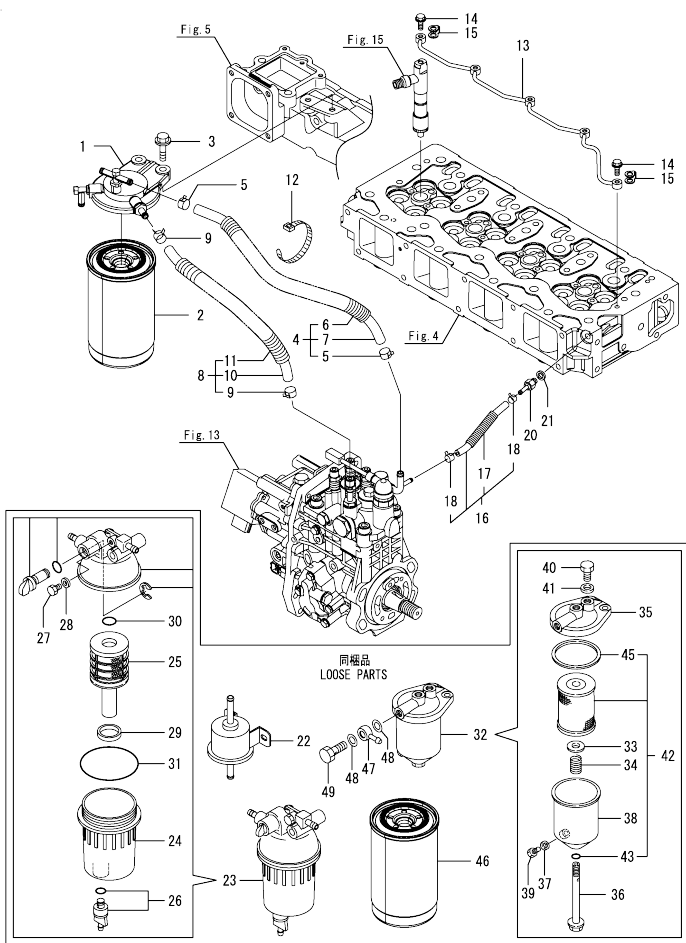
N:Old $\frac{100}{100}$ New, Q:Old $\frac{100}{100}$ New, R:Old $\frac{100}{100}$ New, S:Old $\frac{100}{100}$ New, W:Add, Z:Discontinued, F:Interchangeable by set, K:Q'ty Change
 Copyright (C) 2016 YANMAR GLOBAL CS CO., LTD. All Rights Reserved.

Fig.15. FUEL INJECTION VALVE



No.	Lev.	Parts No.	Description	Q'ty					
				(A)	(B)	(C)	(D)	(E)	(F)
1	1	729928-53300	FUEL INJECTOR ASSY	4					
2	2	129672-53010	NOZZLE ASSY, F.I.	4					
5	2	114250-53080	NUT, NOZZLE	4					
9	2	114250-53120	SPRING, NOZZLE	4					
10	2	114250-53130	SEAT, SPRING	4					
11	2	114250-53140	SPACER	4					
12	2	114250-53210	PIN	8					
13	2	119803-53400	SHIM SET	4					
40	1	123907-11601	SEAL, PIPE	4					
41	1	123472-59120	RETAINER, PIPE	2					
42	1	129150-59120	RETAINER, PIPE	1					
45	2	129150-59131	BOLT, M4X14	2					
47	1	129927-59810	PIPE ASSY, INJECTION	1					
48	1	129927-59820	PIPE ASSY, INJECTION	1					
49	1	129927-59830	PIPE ASSY, INJECTION	1					
50	1	129927-59840	PIPE ASSY, INJECTION	1					
51	1	26366-060002	NUT, M6	2					

Fig.16. FUEL PIPE



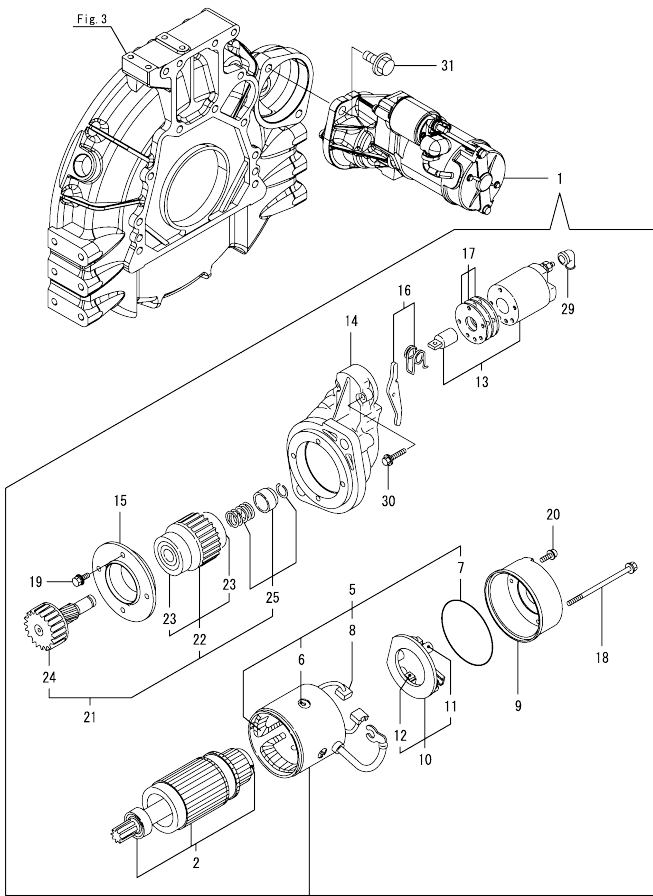
(A)=4TNV98T-ZCSTY
(B)=
(C)=

(D)=
(E)=
(F)=

No.	Lev.	Parts No.	Description	Q'ty						I	R
				(A)	(B)	(C)	(D)	(E)	(F)		
1	1	129004-55612	BRACKET, FILTER	1							
2	1	129907-55801	FILTER, FUEL	1							
3	1	26106-080302	BOLT, M8X 30 PLATED	2							
4	1	129457-59010	HOSE ASSY, FUEL	1							
5	2	124766-59050	CLAMP, HOSE 11.5	2							
6	2	129957-59120	TUBE, CORRUGATED 15	1							
7	2	105025-59750	HOSE, FUEL	1							
8	1	129961-59310	HOSE ASSY, FUEL	1							
9	2	124766-59050	CLAMP, HOSE 11.5	2							
10	2	129136-59110	HOSE, D13/7.5X270	1							
11	2	129961-59110	TUBE, CORRUGATED 15	1							
12	1	121750-59890	BAND, NYLON	1							
13	1	129907-59140	PIPE ASSY, RETURN	1							
14	1	123907-59540	BOLT, PIPE JOINT M6	5							
15	1	123907-59550	GASKET	5							
16	1	129927-59550	HOSE ASSY RETURN	1							
17	2	129263-49750	TUBE, CORRUGATED	1							
18	2	124722-59050	CLAMP, HOSE 9	2							
20	1	123907-59560	JOINT, HOSE	1							
21	1	22190-080002	WASHER, SEAL 8	1							
22	1	119225-52102	PUMP, FUEL FEED	1							
23	1	129242-55701	SEPARATOR ASSY,WATER	1							
24	2	129242-55720	CUP, SEPARATOR	1							
25	2	129242-55730	ELEMENT, FUEL	1							
26	2	129242-55740	PLUG, DRAIN	1							
27	2	129242-55750	VALVE, AIR VENT	1							
28	2	129242-55760	GASKET, PLUG	1							
29	2	129242-55770	FLOAT	1							
30	2	24311-000160	O-RING, 1AP16.0	1							
31	2	24321-000750	O-RING, 1AG75.0	1							
32	1	129065-55750	SEPARATOR ASSY,WATER	1							
33	2	123325-35160	WASHER	1							
34	2	129065-55170	SPRING, FILTER	1							
35	2	129495-55610	BODY, STRAINER	1							
36	2	129495-55620	BOLT	1							
37	2	123672-55760	GASKET	1							
38	2	129065-55760	CASE, SEPARATOR	1							
39	2	129065-55770	PLUG, DRAIN M8	1							
40	2	129065-55800	PLUG, M14	1							
41	2	123678-55890	GASKET, PLUG	1							
42	2	41650-502320	ELEMENT ASSY(D72XL90	1							
43	3	24311-000120	O-RING, 1AP12.0	1							
45	3	123325-35140	GASKET	1							
46	1	129907-55801	FILTER, FUEL	1							
47	1	121855-59880	JOINT, PIPE	2							Z
(A=E17427A)											
48	1	22190-140002	WASHER, SEAL 14	4							Z
(A=E17427A)											
49	1	23857-080000	BOLT, JOINT 8	2							Z
(A=E17427A)											

N:Old $\frac{NOC}{100}$ New, Q:Old $\frac{HQ}{100}$ New, R:Old $\frac{ROC}{100}$ New, S:Old $\frac{S10}{100}$ New, W:Add, Z:Discontinued, F:Interchangeable by set, K:Q'ty Change
Copyright (C) 2016 YANMAR GLOBAL CS CO., LTD. All Rights Reserved.

Fig.17. STARTER MOTOR



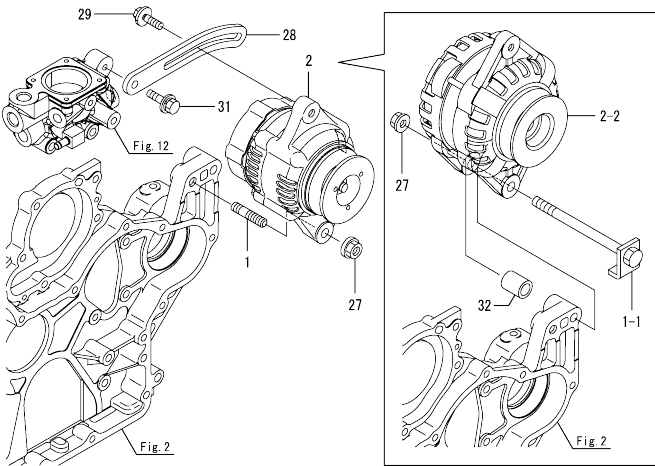
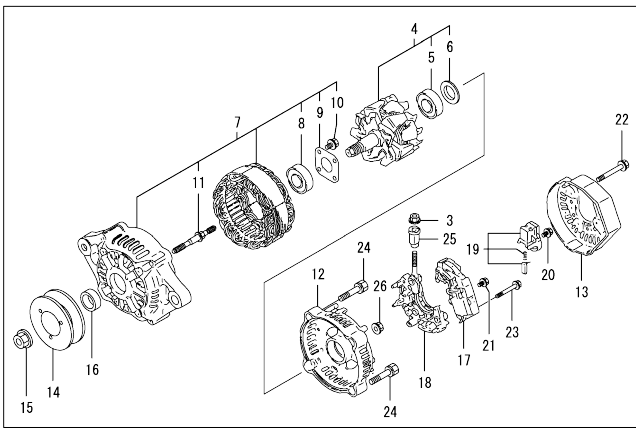
(A)=4TNV98T-ZCSTY
(B)=
(C)=

(D)=
(E)=
(F)=

No.	Lev.	Parts No.	Description	Q'ty						I	R
				(A)	(B)	(C)	(D)	(E)	(F)		
1	1	129940-77011	STARTER ASSY	1							
2	2	129940-77100	ARMATURE ASSY	1							
5	2	129940-77130	COIL ASSY, FIELD	1							
6	3	129940-77140	SCREW, CORE SET	4							
7	3	129940-77150	O-RING	1							
8	3	129940-77160	BRUSH	2							
9	2	129940-77171	COVER	1							
10	2	129940-77181	HOLDER ASSY, BRUSH	1							
11	3	129940-77190	SPRING, BRUSH	1							
12	3	129940-77200	BRUSH	2							
13	2	129940-77210	SWITCH ASSY, MAGNET	1							
14	2	129940-77221	CASE, GEAR	1							
15	2	129940-77230	RETAINER, BEARING	1							
16	2	129940-77240	LEVER SET	1							
17	2	129940-77250	COVER KIT, DUST	1							
18	2	129940-77260	BOLT, THROUGH	2							
19	2	129940-77270	BOLT	4							
20	2	129940-77280	SCREW	2							
21	2	123900-77510	PINION ASSY	1							
22	3	123900-77520	CLUTCH ASSY	1							
23	4	X2240610100	BEARING, BALL	2							
24	3	123900-77540	SHAFT, PINION	1							
25	3	119131-77550	STOPPER SET, PINION	1							
29	2	121254-77810	COVER, TERMINAL	1							
30	2	114371-79070	BOLT	2							
31	1	26106-120252	BOLT, M12X 25 PLATED	2							

OCD50-M02190 4TNV98T-ZCSTY
Fig.18. GENERATOR

OCD50-M02190 Fig.18



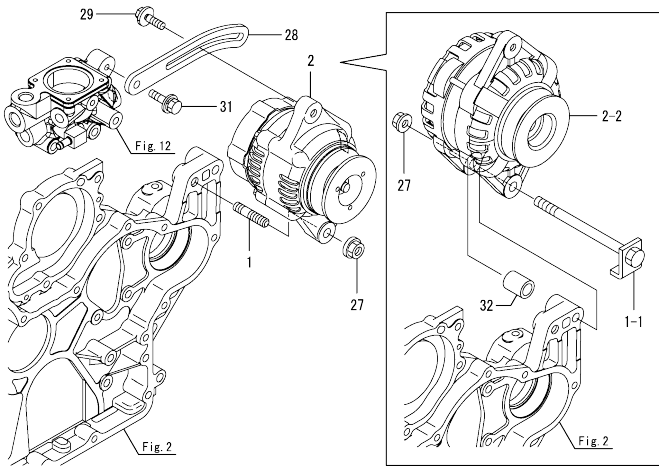
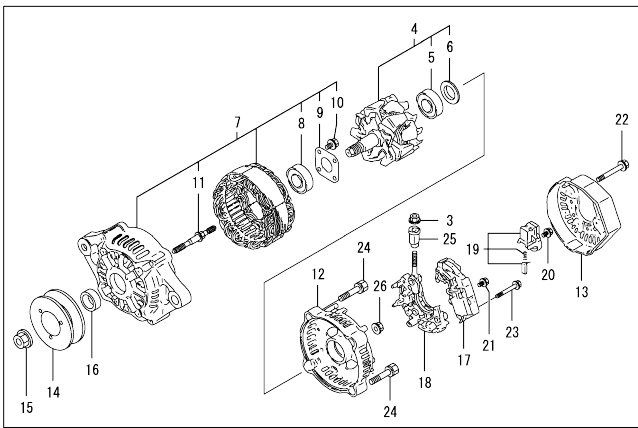
(A)=4TNV98T-ZCSTY
 (B)=
 (C)=

(D)=
 (E)=
 (F)=

No.	Lev.	Parts No.	Description	Qty						I	R
				(A)	(B)	(C)	(D)	(E)	(F)		
1	1	129795-01900	BOLT, STUD M10X33	1							
1-1	1	129908-77220 (A=E17427A)	BOLT, STOPPER M10	1							S
2	1	123951-77200	GENERATOR ASSY, 55A	1							
2-1	1	123951-77210 (A=E08254A)	ALTERNATOR, 12V-55A	1							N
2-2	1	129908-77210 (A=E17427A)	ALTERNATOR	1							N
3	2	X9490561001 (A=E17427A)	NUT	1							Z
4	2	129052-77380 (A=E17427A)	ROTOR ASSY	1							Z
5	3	123501-79240 (A=E17427A)	BEARING, BALL	1							Z
6	3	119620-79250 (A=E17427A)	COVER, BEARING	1							Z
7	2	129052-77422 (A=E17427A)	FRAME ASSY	1							Z
8	3	119620-79200 (A=E17427A)	BEARING, BALL	1							Z
9	3	119620-79210 (A=E17427A)	RETAINER	1							Z
10	3	119620-79220 (A=E17427A)	SCREW	4							Z
11	3	119620-79230 (A=E17427A)	BOLT, STUD	2							Z
12	2	128401-77440 (A=E17427A)	FRAME	1							Z
13	2	119626-77450 (A=E17427A)	COVER	1							Z
14	2	123950-77450 (A=E17427A)	V-PULLEY	1							Z
15	2	119620-77470 (A=E17427A)	NUT	1							Z
16	2	119620-77490 (A=E17427A)	COLLAR	1							Z
17	2	129423-77710	REGULATOR ASSY	1							
17-1	2	129423-77720 (A=E08254A)	REGULATOR ASSY	1							N
17-2	2	129423-77720 (A=E17427A)	REGULATOR ASSY	1							Z
18	2	129052-79260 (A=E17427A)	HOLDER	1							Z
19	2	129052-79270 (A=E17427A)	HOLDER, BRUSH	1							Z
20	2	119620-79290 (A=E17427A)	SCREW	6							Z
21	2	119620-79300 (A=E17427A)	SCREW	1							Z
22	2	119620-79310 (A=E17427A)	BOLT	3							Z

N:Old $\frac{New}{Old}$ New, Q:Old $\frac{New}{Old}$ New, R:Old $\frac{New}{Old}$ New, S:Old $\frac{New}{Old}$ New, W:Add, Z:Discontinued, F:Interchangeable by set, K:Qty Change
 ++ CONTINUE ++
 Copyright (C) 2016 YANMAR GLOBAL CS CO., LTD. All Rights Reserved.

OCD50-M02190 4TNV98T-ZCSTY
 Fig.18. GENERATOR



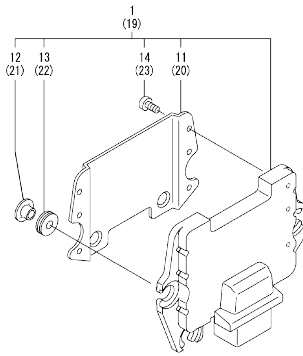
OCD50-M02190 Fig.18

(A)=4TNV98T-ZCSTY
 (B)=
 (C)=

(D)=
 (E)=
 (F)=

No.	Lev.	Parts No.	Description	Q'ty						I	R	
				(A)	(B)	(C)	(D)	(E)	(F)			
23	2	119620-79320 (A=E17427A)	SCREW	2							Z	
24	2	119620-79330 (A=E17427A)	BOLT	2							Z	
25	2	119620-79340 (A=E17427A)	BUSH, INSULATION	1							Z	
26	2	119620-79350 (A=E17427A)	NUT	2							Z	
27	1	26306-100002 (A=E17427A)	NUT, M10	1								
28	1	129916-77300	ADJUSTER, BELT	1								
29	1	119810-77340	BOLT, ADJUST L=30	1								
31	1	26014-080252	BOLT, M8X 25	1								
32	1	129908-77360 (A=E17427A)	PIECE, DISTANCE	1								W

Fig.19. ELECTRONIC CONTROL UNIT(ECU)



(A)=4TNV98T-ZCSTY
(B)=
(C)=

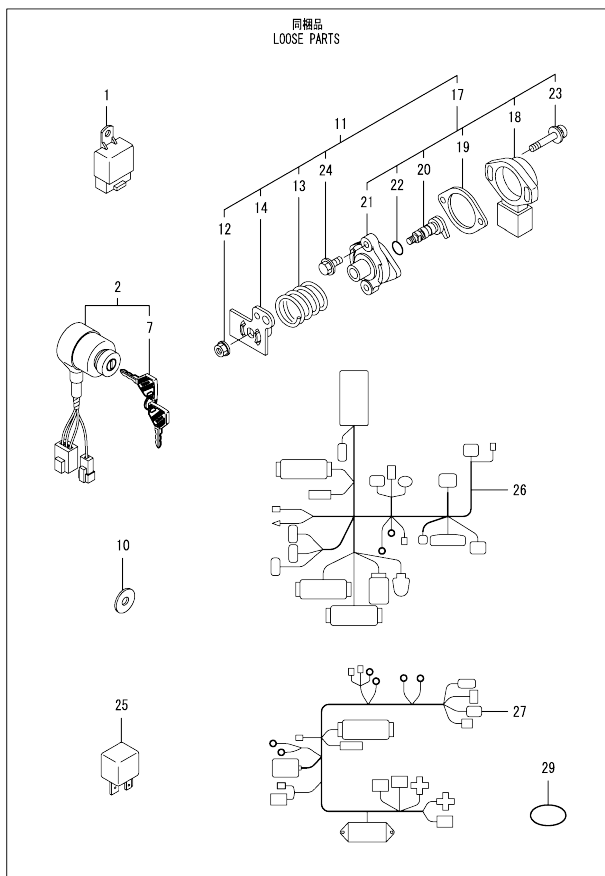
(D)=
(E)=
(F)=

No.	Lev.	Parts No.	Description	Q'ty						I	R
				(A)	(B)	(C)	(D)	(E)	(F)		
1	1	129924-75070	ECU ASSY,4V98T-ZCSTY	1							1
11	2	129927-77600	SHIELD, ECU	1							
12	2	129927-77680	COLLAR, CONTROL	3							
13	2	119578-91351	ABSORBER	3							
14	2	22877-500080	SCREW, 5X 8	6							
19	1	129927-75900	ECU ASSY, SERVICE	1							2
20	2	129927-77600	SHIELD, ECU	1							
21	2	129927-77680	COLLAR, CONTROL	3							
22	2	119578-91351	ABSORBER	3							
23	2	22877-500080	SCREW, 5X 8	6							

Remarks

- (1)Eco ECU
This part cannot be ordered.
Replace the part using a Service ECU with the proper engine information installed.
- (2)Service ECU
If the proper information is not installed, the engine will not operate.
To install proper information, go to an authorized distributor.

Fig.20. ELECTRIC PARTS



(A)=4TNV98T-ZCSTY
(B)=
(C)=

(D)=
(E)=
(F)=

No.	Lev.	Parts No.	Description	Qty						I	R
				(A)	(B)	(C)	(D)	(E)	(F)		
1	1	172B02-17150	RELAY,CA C TYPE	3							
2	1	194940-52110 (A=E17427A)	SWITCH, STARTING	1							Z
7	2	198360-52160 (A=E17427A)	KEY ASSY, SPARE	1							Z
10	1	129927-77690	WASHER, ECU	3							
11	1	129A22-77800 (A=E17427A)	SENSOR ASSY, ACCEL	1							Z
12	2	194990-22130 (A=E17427A)	NUT, M6	1							Z
13	2	119060-61990 (A=E17427A)	SPRING, RETURN	1							Z
14	2	129A22-77820 (A=E17427A)	LEVER ASSY, ACCEL	1							Z
17	2	129A22-77890 (A=E17427A)	SENSOR ASSY, ACCEL	1							Z
18	3	185100-50070 (A=E17427A)	BODY	1							Z
19	3	129054-77820 (A=E17427A)	GASKET	1							Z
20	3	129054-77830 (A=E17427A)	SHAFT ASSY	1							Z
21	3	129A22-77880 (A=E17427A)	SUPPORT	1							Z
22	3	24311-000070 (A=E17427A)	O-RING, 1AP7.0	1							Z
23	3	26023-040202 (A=E17427A)	SCREW, M4X20	2							Z
24	2	26106-060122 (A=E17427A)	BOLT, M6X 12 PLATED	2							Z
25	1	129927-77920	RELAY, ISO 70A	2							
26	1	129927-91040 (A=E17427A)	HARNESS, WIRE	1							Z
27	1	129927-91050 (A=E17427A)	HARNESS, WIRE	1							Z
29	1	24311-000320 (A=E17427A)	O-RING, 1AP32.0	1							W

Parts No. Index

Parts No.	Fig. No.	Ref. No.
105010-39140	11	5 -1
105025-59750	16	7
114250-53080	15	5
114250-53120	15	9
114250-53130	15	10
114250-53140	15	11
114250-53210	15	12
114371-79070	17	30
119000-39650	11	34
119005-35151	10	25
		27
119005-77051	5	19
119060-61990	20	13
119100-11330	4	56
119129-77020	5	17
119129-77520	5	20
119131-18320	6	3
	8	3
119131-77550	17	25
119225-52102	16	22
119578-91351	19	13
		22
119593-11301	4	29
119620-01750	3	4
119620-11180	4	14
119620-77470	18	15
119620-77490	18	16
119620-79200	18	8
119620-79210	18	9
119620-79220	18	10
119620-79230	18	11
119620-79250	18	6
119620-79290	18	20
119620-79300	18	21
119620-79310	18	22
119620-79320	18	23
119620-79330	18	24
119620-79340	18	25
119620-79350	18	26
119625-11880	4	25
119626-77450	18	13
119640-01640	3	9
119761-39450	11	1
119802-11870	4	24
119802-13791	6	10
119802-51680	13	68
119802-51690	13	69
119803-11340	4	15
119803-53400	15	13
119810-77340	18	29

Parts No.	Fig. No.	Ref. No.
119852-51630	13	73
119852-51640	13	74
119852-51650	13	76
119934-59910	13	134
120130-22301	9	23
121027-11743	2	32
121252-39150	11	4
121254-77810	17	29
121450-42450	12	38
121520-34810	10	13
121750-59890	16	12
121850-21130	9	11
121850-21290	9	4
121850-21920	9	5
121850-49540	12	26
121850-49550	12	28
121850-49811	12	29
121850-77021	5	18
121855-59880	16	47
123325-35140	16	45
123325-35160	16	33
123472-59120	15	41
123501-79240	18	5
123672-55760	16	37
123678-55890	16	41
123900-25060	7	9
123900-42471	12	14
123900-44732	12	16
123900-77510	17	21
123900-77520	17	22
123900-77540	17	24
123901-03240	4	74
123901-18080	6	24
123901-39820	11	25
123907-11280	4	34
123907-11550	4	1
123907-11601	15	40
123907-11820	4	21
123907-11830	4	20
123907-39500	11	13
123907-59540	16	14
123907-59550	16	15
123907-59560	16	20
123910-44771	12	17
123910-49600	10	8
123910-49610	10	10
123912-33050	10	2
123912-33100	10	3
123950-77450	18	14
123951-18220	5	14

Parts No.	Fig. No.	Ref. No.
123951-77200	18	2
123951-77210	18	2 -1
124070-13300	11	22
124160-01751	2	15
	4	49
124160-11340	4	16
124160-11360	4	60
124223-39900	11	3
124240-01871	2	21
124465-44950	12	39
124722-59050	16	18
124766-59050	16	5
		9
128401-77440	18	12
129004-55612	16	1
129005-59830	11	5
		15
129006-44480	10	5
129008-51920	13	12
129008-61301	14	26
129052-77380	18	4
129052-77422	18	7
129052-79260	18	18
129052-79270	18	19
129054-77820	20	19
129054-77830	20	20
129065-55170	16	34
129065-55750	16	32
129065-55760	16	38
129065-55770	16	39
129065-55800	16	40
129100-01580	2	1
	3	1
129136-59110	16	10
129150-02450	7	4
129150-11230	4	37
		41
129150-11750	4	19
		38
		42
129150-14200	7	1
129150-25920	7	16
129150-59120	15	42
129150-59131	15	45
129198-59540	11	5 -2
129242-55701	16	23
129242-55720	16	24
129242-55730	16	25
129242-55740	16	26
129242-55750	16	27

Parts No.	Fig. No.	Ref. No.
129242-55760	16	28
129242-55770	16	29
129263-49750	16	17
129263-77941	13	127
129410-03990	4	69
129418-18320	6	4
129423-77710	18	17
129423-77720	18	17 -1
		17 -2
129457-59010	16	4
129466-49300	10	7
129472-18090	8	2
129495-55610	16	35
129495-55620	16	36
129509-79700	4	57
129657-51590	13	63
129657-51600	13	64
129672-53010	15	2
129795-01900	18	1
129900-01200	1	27
129900-01250	1	4
129900-01620	3	2
129900-01850	2	27
129900-01870	2	28
129900-02020	1	6
129900-02341	1	33
129900-02410	1	9
129900-02931	1	24
129900-02941	1	36
129900-13251	6	5
129900-14100	7	6
129900-21200	9	3
129900-21600	9	14
129900-23001	9	25
129900-23200	9	28
129900-23601	9	29
129900-23611	9	32
129900-23911	9	31
129900-25100	7	10
129900-32030	2	6
	10	16
129900-32040	2	7
129900-42020	12	1
129900-49870	12	34
129906-34851	10	14
129906-51580	13	61
129907-01331	1	28
129907-03011	4	51
129907-03061	4	52
129907-03070	4	53

Parts No. Index

Parts No.	Fig. No.	Ref. No.	Parts No.	Fig. No.	Ref. No.	Parts No.	Fig. No.	Ref. No.	Parts No.	Fig. No.	Ref. No.
129907-07900	4	63	129927-51250	13	141	129940-77221	17	14	158552-52100	13	132
129907-11110	4	12	129927-51650	13	125	129940-77230	17	15	158552-52311	13	110
129907-11120	4	13	129927-51660	13	126	129940-77240	17	16	158552-52400	13	111
129907-11250	4	31	129927-51670	13	129	129940-77250	17	17	158552-52500	13	133
129907-11260	4	32	129927-59550	16	16	129940-77260	17	18	158553-51670	13	67
129907-11270	4	33	129927-59810	15	47	129940-77270	17	19	158553-51680	13	79
129907-11341	4	30	129927-59820	15	48	129940-77280	17	20	158553-51930	13	104
129907-11510	4	17	129927-59830	15	49	129944-21650	9	8		14	2
129907-11650	4	35	129927-59840	15	50	129948-01500	2	3	158553-61780	14	27
129907-11660	4	39	129927-75900	19	19	129948-03080	4	67	158557-51570	13	60
129907-11800	4	81	129927-77600	19	11	129948-03310	4	76	158557-61720	14	16
129907-11910	4	26			20	129948-07900	4	64	158563-51150	7	17
129907-11920	4	43	129927-77680	19	12	129948-11300	4	50	158563-51281	13	23
129907-11950	4	27			21	129948-13100	6	2		14	24
129907-12110	5	1	129927-77690	20	10	129948-13150	6	1	158563-51330	13	35
129907-14400	7	2	129927-77920	20	25	129948-13800	6	11	158600-51270	13	22
129907-25900	7	15	129927-91040	20	26	129948-13810	6	13	158601-51550	13	57
129907-51560	13	58	129927-91050	20	27	129948-18010	8	1	158601-51650	13	128
129907-55801	16	2	129928-11710	4	2	129948-18010	8	1	158601-51770	13	100
		46	129928-12100	5	3	129948-49610	12	49	158601-51790	13	102
129907-59140	16	13	129928-12150	5	2	129948-49620	12	53	171051-01921	1	5
129908-01500	2	3 -1	129928-13400	6	7	129949-18200	5	12	171056-49120	10	24
129908-14581	7	3	129928-13410	6	8	129949-18210	5	13	172B02-17150	20	1
129908-21000	9	1			9	129951-01740	2	17	185100-50070	20	18
129908-32060	2	4	129928-13700	5	4	129953-25300	7	14	194940-52110	20	2
129908-33010	10	1	129928-13710	5	5	129953-35000	10	17	194990-22130	20	12
129908-33101	10	4	129928-13720	5	6	129957-59120	16	6	198360-52160	20	7
129908-39410	11	28	129928-13900	6	19	129960-03990	12	50	22190-080002	11	6
129908-39610	11	23	129928-22080	9	15			54			8
129908-39690	11	24	129928-49400	12	21	129960-21930	9	9			8 -1
129908-49060	10	6	129928-49410	12	22	129960-21940	9	10			16
129908-77210	18	2 -2	129928-49420	12	48	129961-59110	16	11			18
129908-77220	18	1 -1	129928-49800	12	19	129961-59310	16	8			20
129908-77360	18	32	129928-51390	13	25	129972-03220	4	72		16	21
129916-01790	3	7	129928-51900	13	11	129972-03230	4	73		12	31
129916-01800	2	26	129928-79700	12	57	129972-03240	4	71	22190-120002	13	105
129916-21590	9	12	129933-01720	3	8	129972-39080	11	2			112
129916-21610	9	7	129933-11310	4	55	129985-11100	4	11			135
129916-49530	12	25	129940-42240	12	15 -1	129A22-77800	20	11		14	28
129916-77300	18	28	129940-77011	17	1	129A22-77820	20	14	22190-140002	16	48
129924-75070	19	1	129940-77100	17	2	129A22-77880	20	21	22190-180002	13	106
129927-13810	6	12	129940-77130	17	5	129A22-77890	20	17	22190-220002	3	11
129927-13910	6	20	129940-77140	17	6	129C20-42290	12	15	22217-050000	13	136
129927-13920	6	21	129940-77150	17	7	129C26-01890	2	22	22217-180000	13	113
129927-22050	9	17	129940-77160	17	8	129E00-13640	6	6	22252-000300	9	24
129927-39060	11	11	129940-77171	17	9	144626-51090	13	13	22312-050140	13	114
129927-42140	2	8	129940-77181	17	10	158552-51571	13	59	22351-030010	11	35
129927-44900	12	20	129940-77190	17	11	158552-51580	13	62	22351-050010	13	115
129927-49610	12	40	129940-77200	17	12	158552-51670	13	130	22351-060012	1	10
129927-49620	12	44	129940-77210	17	13	158552-51781	13	101	22512-070140	7	7

Parts No. Index

Parts No.	Fig. No.	Ref. No.
22512-070140	9	6
22857-500100	4	58
22877-500080	19	14
		23
23000-022000	4	77
23000-025000	10	11
	11	26
23000-054000	5	15
23000-070000	5	16
23065-160250	4	78
23080-012000	12	43
		47
23414-080000	12	35
23414-100000	11	9
23857-030000	11	7
		17
23857-080000	16	49
23875-030000	12	23
		32
23876-020000	4	8
23876-030000	1	11
		12
		13
		29
	4	9
24311-000070	2	9
	13	116
	20	22
24311-000120	4	28
		61
	16	43
24311-000160	16	30
24311-000320	2	16
	4	62
	20	29
24321-000600	10	12
24321-000750	16	31
24341-000480	14	22
24351-030750	2	10
24356-190200	13	70
		117
24356-240210	13	118
24372-000150	13	71
26014-080252	18	31
26023-040202	20	23
26106-060102	13	119
26106-060122	4	59
	13	137
	20	24
26106-060162	11	27

Parts No.	Fig. No.	Ref. No.
26106-060162	14	23
26106-060202	5	7
		8
	12	33
26106-060252	14	29
26106-060302	12	12
26106-060352	13	120
26106-080122	3	12
	10	22
	11	10
		19
		21
	12	36
		58
26106-080142	4	80
	7	8
26106-080162	2	11
		23
		29
	4	65
	10	23
26106-080202	2	12
		18
	4	66
	13	142
26106-080252	14	24
26106-080302	13	143
	16	3
26106-080352	6	14
26106-080402	2	30
	4	45
	5	21
26106-080452	2	13
		19
	5	10
	6	15
26106-080552	6	16
	7	13
	12	13
26106-080602	4	46
		47
	12	37
26106-080702	2	31
26106-080752	2	20
26106-080802	5	11
26106-080902	5	22
26106-100252	6	17
26106-100402	6	22
26106-100702	12	18
26106-101052	6	23

Parts No.	Fig. No.	Ref. No.
26106-120252	17	31
26116-050102	4	75
26206-100352	3	5
26206-100702	3	6
26216-060202	5	9
26216-100302	2	5
26226-080222	4	44
26306-080002	4	48
	6	18
	8	4
26306-100002	2	14
	18	27
26366-060002	15	51
26450-100452	13	121
26716-050002	13	138
26776-180002	13	122
27241-160000	13	139
27241-300000	1	14
27241-400000	4	10
27310-070001	4	22
41650-502320	16	42
729900-02801	1	30
729907-01559	2	24
729924-51300	13	1
729924-51320	13	1 -1
729927-22950	9	36
729928-01560	1	1
729928-22900	9	34
729928-53300	15	1
X2240610100	17	23
X9490561001	18	3

Parts No.	Fig. No.	Ref. No.
-----------	----------	----------