

0CW10-M40600EN

P R E F A C E

1. This Parts catalog is the 1st edition of 4TNV98T-ZXCR for CARRARO.

Pub.No. : 000Y00W4060
Published : August , 2008

2. Model name

Engine model	Vehicle	Vehicle made by
4TNV98T-ZXCR	TRACTOR	CARRARO

Directions for the Parts Catalog.

1. The parts stipulated in this Parts Catalog are not necessarily standard equipped parts.
2. Parts may change without prior notice.
3. The following is an example of the Parts Catalog format.

REF.	LEV.	PARTS NO.	DESCRIPTION	Q'TY						I	R
				(A)	(B)	(C)	(D)	(E)	(F)		
1	1	729595-51390	FUEL INJECTION PUMP	1	1	1	1	1			1
1-1	1	729595-51391	FUEL INJECTION PUMP	1	1	1	1	1		N	1
		(A=E00185) (B=E00200)									
3	2	26022-060162	SCREW M 6X 16	9	9	9	9	9			
3-1	2	26022-060162	SCREW M 6X 16	4	4	4	4	4		K	
		(A=E00156) (B=E00156) (C=E00156) (D=E00156) (E=E00156)									
4	2	129470-51040	CAMSHAFT	1	1	1	1	1			
5	2	122710-51050	BEARING, ROLLER	2	2	2	2	2			
6	2	129470-51060	RETAINER	1	1	1	1	1			

Remarks
(1) BOOST COMPEMSATOR TYPE. OPTIONAL PART, TO E00155,(4JH-DT, 4JH-DTZ

① Ref. No.

The Ref. No. listed may not be in accordance with the illustration Ref. No.

(Ex.) Illustration No.

List Ref No.

1 1 (Before change) → 1-1 (After change)

For interchangeable symbols N, R and K, illustrations for new parts may be abbreviated.

② Lev. (Level)

Level indication

The numbers below indicate the level of relativity towards the main part.

1 ---- Main parts (Assembly parts)

2 ---- Sub component included in " 1 ".

3 ---- Sub component included in " 2 ".

Note) Parts that are not for sale are partially illustrated but not listed.

③ Interchangeability Mark

When a part change takes place, one of the following interchangeability symbols is indicated beside the part.

Symbol	Interchangeability	Contents note
N	Old $\begin{matrix} \leftarrow \text{Yes} \\ \text{No} \rightarrow \end{matrix}$ New	New Part is interchangeable for Old Part but Old Part is not interchangeable for New Part.
Q	Old $\begin{matrix} \leftarrow \text{No} \\ \text{Yes} \rightarrow \end{matrix}$ New	New Part is not interchangeable for Old Part but Old Part is interchangeable for New Part.
R	Old $\begin{matrix} \leftarrow \text{Yes} \\ \text{Yes} \rightarrow \end{matrix}$ New	New/ Old Parts are both interchangeable.
S	Old $\begin{matrix} \leftarrow \text{No} \\ \text{No} \rightarrow \end{matrix}$ New	New/ Old Parts are both not interchangeable.
W		Part newly added.
Z		Part discontinued.
F		Not interchangeable by a single part but interchangeable together with related parts.
K		Changes only for used parts quantities.

④ Effective Machine No.

When a part changes, the effective Machine No. will be indicated in the (A)-(F) column.

Product Symbol	Product No.	Product Symbol	Product No.
C	Clutch No. Compressor No.	F	Machine No. (Agricultural Equip.)
D	Drive No.	M	Machine No.
E	Engine No.		

Note 1) A date may follow the symbol. (Ex.) 1996.01

Note 2) " XXXXX " and " ZZZZZ " are for parts that could not be predicted or for engine models that could not be identified.

Note 3) (A=E00185) is the E (Engine Serial Number) for the column (A) model (in this case 4JH-DT) after the parts design change.

⑤ Remarks Mark

Figures or alphabets (symbols) are entered in the remarks column.

The comments (remarks) on parts that are indicated at the bottom of the illustration are the same symbols as those stated above.

Contents

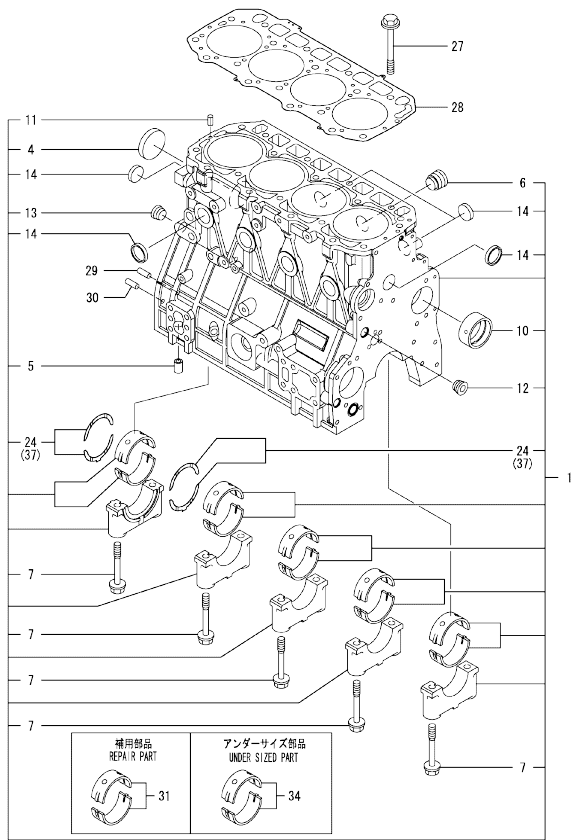
0CW10-M40600

Fig. No.	Fig. Name	Fig. No.	Fig. Name
4TNV98T-ZXCR			
1.	CYLINDER BLOCK		
2.	GEAR HOUSING		
3.	FLYWHEEL HOUSING & OIL SUMP		
4.	CYLINDER HEAD & BONNET		
5.	SUCTION MANIFOLD		
6.	EXHAUST MANIFOLD		
7.	CAMSHAFT & DRIVING GEAR		
8.	TURBINE		
9.	CRANKSHAFT & PISTON		
10.	BALANCER		
11.	LUB.OIL SYSTEM		
12.	LUB. OIL LINE		
13.	COOLING WATER SYSTEM		
14.	FUEL INJECTION PUMP		
15.	GOVERNOR		
16.	FUEL INJECTION VALVE		
17.	FUEL LINE		
18.	STARTING MOTOR		
19.	GENERATOR		
20.	ELECTRONIC CONTROL UNIT (ECU)		
21.	GASKET SET		
22.	LOOSE PART		

Fig.1. CYLINDER BLOCK

(A)=4TNV98T-ZXCR
(B)=
(C)=

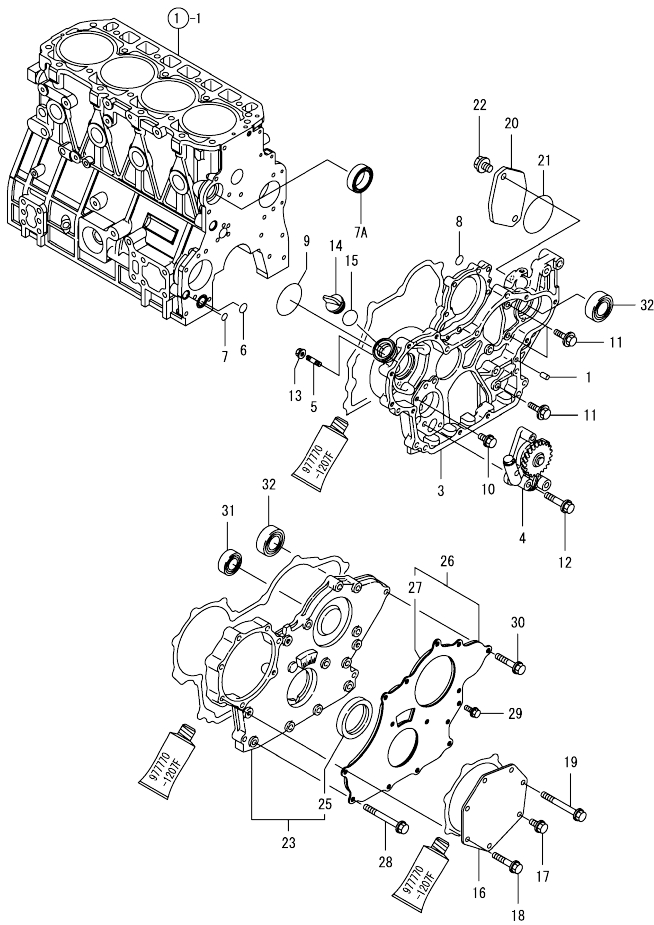
(D)=
(E)=
(F)=



No.	Lev.	Parts No.	Description	Q'ty						I	R
				(A)	(B)	(C)	(D)	(E)	(F)		
1	1	729973-01560	BLOCK ASSY, CYLINDER	1							
4	2	129900-01250	PLUG, DISH TYPE 55	1							
5	2	129956-01710	PIPE, DOWEL L=25	1							
6	2	171051-01921	PLUG, NPTF1	1							
7	2	129900-02020	BOLT, METAL CAP	10							
10	2	129900-02410	BUSH, CAMSHAFT	1							
11	2	22351-060012	PIN, SPRING 6.0X12	2							
12	2	23876-030000	PLUG, R03	1							
13	2	23876-030000	PLUG, R03	1							
14	2	27241-300000	PLUG 30	8							
24	2	129900-02931	BEARING ASSY, THRUST	2							
27	1	129900-01200	BOLT, CYLINDER HEAD	18							
28	1	129907-01331	GASKET, HEAD	1							
29	1	129100-01580	PIN, PARALLEL 8X16	2							
30	1	129100-01580	PIN, PARALLEL 8X16	2							
31	1	729900-02801	BEARING, MAIN	5							1
34	1	129900-02341	BEARING ASSY, MAIN	5							2
37	1	129900-02941	BEARING, THRUST 0.25	2							3

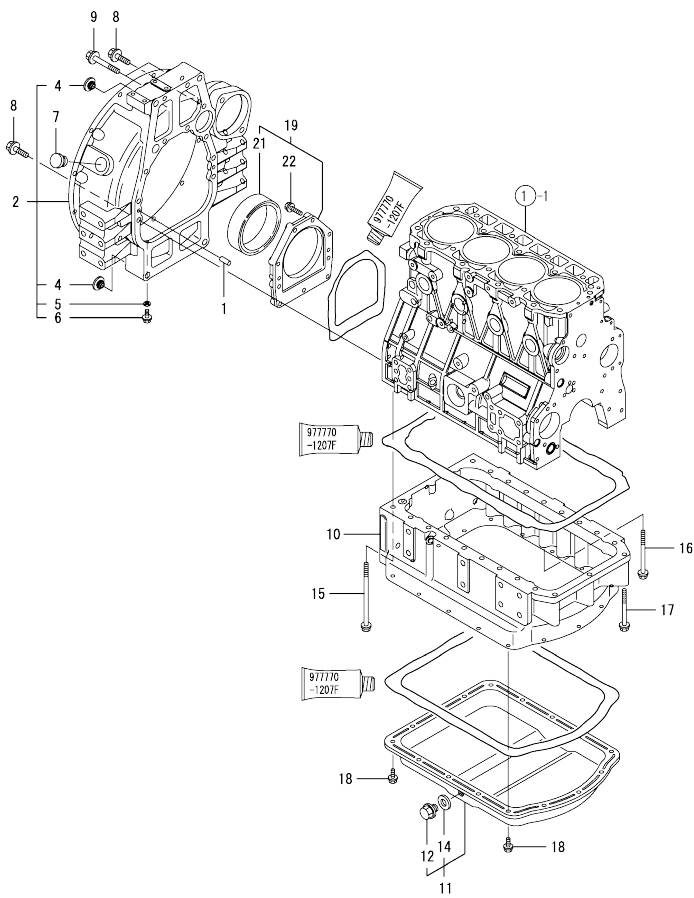
Remarks
(1) REPAIR PART.
(2) UNDER-SIZED(U.S=0.25)PART.
(3) OVER-SIZED(O.S=0.25)PART.

Fig.2. GEAR HOUSING



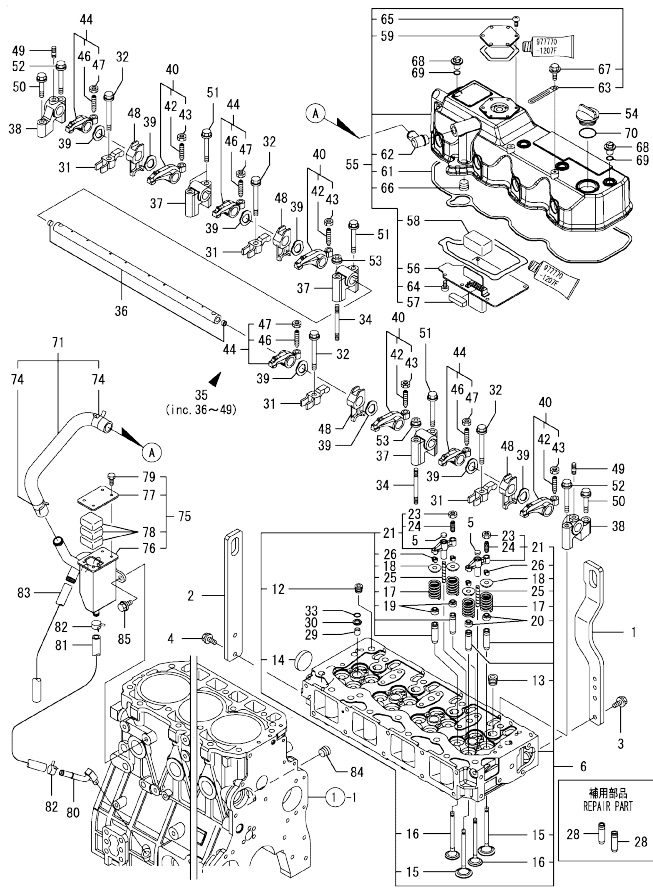
No.	Lev.	Parts No.	Description	Q'ty						I	R
				(A)	(B)	(C)	(D)	(E)	(F)		
1	1	129100-01580	PIN, PARALLEL 8X16	4							
3	1	129933-01500	CASE, GEAR	1							
4	1	129908-32060	PUMP ASSY, OIL	1							
5	1	26216-100302	STUD, M10X 30	4							
6	1	129900-32030	O-RING, P20	1							
7	1	129900-32040	O-RING, P14	1							
7A	1	129927-42140	GASKET, PUMP OUTLET	1							W
(A=ET3378)											
8	1	24311-000070	O-RING, 1AP7.0	1							
9	1	24351-030750	O-RING, 1A3075	1							
10	1	26106-080162	BOLT, M8X 16 PLATED	1							
11	1	26106-080202	BOLT, M8X 20 PLATED	3							
12	1	26106-080452	BOLT, M8X 45 PLATED	3							
13	1	26306-100002	NUT, M10	4							
14	1	124160-01751	CAP, FILLER	1							
15	1	24311-000320	O-RING, 1AP32.0	1							
16	1	129951-01740	COVER	1							
17	1	26106-080202	BOLT, M8X 20 PLATED	1							
18	1	26106-080452	BOLT, M8X 45 PLATED	5							
19	1	26106-080752	BOLT, M8X 75 PLATED	1							
20	1	121023-26070	COVER, PUMP	1							
21	1	24321-000850	O-RING, 1AG85.0	1							
22	1	26106-100202	BOLT, M10X 20 PLATED	2							
23	1	729907-01559	COVER ASSY, GEAR CASE	1							
25	2	129916-01800	SEAL, OIL	1							
26	1	129900-01850	COVER ASSY, GEAR CASE	1							
27	2	129900-01870	SPONGE, GEAR CASE	1							
28	1	129001-91810	BOLT, M8X70	6							
29	1	26106-080162	BOLT, M8X 16 PLATED	3							
30	1	26106-080402	BOLT, M8X 40 PLATED	5							
31	1	129900-14140	BEARING, BALL 6205	1							
32	1	129900-26250	BEARING, BALL 6206C3	2							

Fig.3. FLYWHEEL HOUSING & OIL SUMP



No.	Lev.	Parts No.	Description	Q'ty						I	R
				(A)	(B)	(C)	(D)	(E)	(F)		
1	1	129100-01580	PIN, PARALLEL 8X16		2						
2	1	129968-01650	HOUSING, FLYWHEEL	1							
4	2	129968-01670	PLUG, 12.5/23	4							
5	2	22190-060003	SEAL WASER 6	1							
6	2	26106-060122	BOLT, M6X 12 PLATED	1							
7	1	119620-01750	CAP	1							
8	1	26206-100352	BOLT, M10X 35 PLATED		9						
9	1	26206-100702	BOLT, M10X 70 PLATED		2						
10	1	129956-01700	SUMP, OIL	1							
11	1	129920-01732	COVER ASSY, OIL SUMP	1							
12	2	105425-01690	PLUG, M16	1							
14	2	22190-160002	WASHER, SEAL 16	1							
15	1	129972-01731	BOLT, M8X150	2							
16	1	129693-44310	BOLT	16							
17	1	129001-91841	BOLT, M8X87	3							
18	1	26106-080122	BOLT, M8X 12 PLATED	16							
19	1	129956-01640	CASE ASSY, OIL SEAL	1							
21	2	124411-01780	SEAL, HTC95X115X12	1							
22	1	26106-080302	BOLT, M8X 30 PLATED	9							

Fig.4. CYLINDER HEAD & BONNET



(A)=4TNV98T-ZXCR
(B)=
(C)=

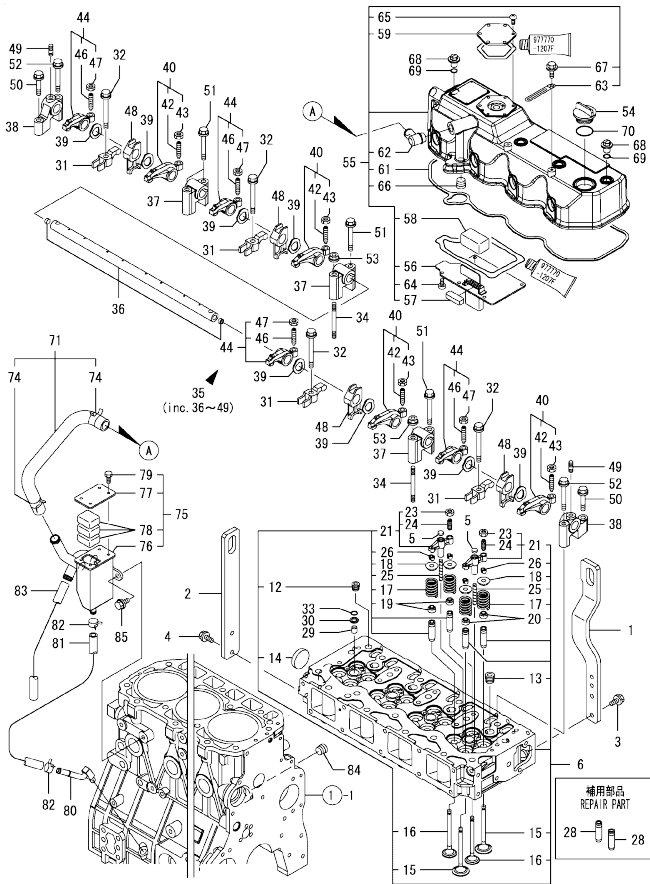
(D)=
(E)=
(F)=

No.	Lev.	Parts No.	Description	(A)	(B)	(C)	(D)	(E)	(F)	Q'ty	I	R
1	1	129973-07901	LIFTER							1		
2	1	129973-07910	LIFTER							1		
3	1	26106-080202	BOLT, M8X 20 PLATED							2		
4	1	26106-080202	BOLT, M8X 20 PLATED							2		
5	1	123907-11550	SEAT, VALVE BRIDGE							8		
6	1	129928-11700	HEAD ASSY, CYLINDER							1		
12	2	23876-020000	PLUG, R02							1		
13	2	23876-030000	PLUG, R03							4		
14	2	27241-400000	PLUG, 40							1		
15	2	129907-11100	VALVE, SUCTION							8		
16	2	129907-11110	VALVE, EXHAUST							8		
17	2	129907-11120	SPRING, VALVE							16		
18	2	119620-11180	RETAINER, SPRING							16		
19	2	119803-11340	SEAL, VALVE STEM							8		
20	2	124160-11340	SEAL, VALVE STEM							8		
21	2	129907-11510	BRIDGE ASSY, VALVE							8		
23	3	129150-11750	NUT, M8							8		
24	3	123907-11830	ADJUSTER							8		
25	2	123907-11820	GUIDE, BRIDGE							8		
26	2	27310-070001	COTTER, 7							16		
28	1	129907-11800	GUIDE, VALVE							16		1
29	1	119802-11870	PROTECTOR, NOZZLE							4		
30	1	119625-11880	SEAT, NOZZLE							4		
31	1	129907-11910	RETAINER, NOZZLE							4		
32	1	129907-11950	BOLT, M8X75							4		
33	1	24311-000120	O-RING, 1AP12.0							4		
34	1	119593-11301	BOLT, STUD M8X80							2		
35	1	129907-11341	SHAFT ASSY, ROCKER							1		
36	2	129907-11250	SHAFT, ROCKER ARM							1		
37	2	129907-11260	SUPPORT, ROCKER ARM							3		
38	2	129907-11270	SUPPORT, ROCKER ARM							2		
39	2	123907-11280	WASHER							8		
40	2	129907-11650	ARM ASSY, ROCKER							4		
42	3	129150-11230	SCREW, VALVE ADJUST							4		
43	3	129150-11750	NUT, M8							4		
44	2	129907-11660	ARM ASSY, ROCKER							4		
46	3	129150-11230	SCREW, VALVE ADJUST							4		
47	3	129150-11750	NUT, M8							4		
48	2	129907-11920	RETAINER, NOZZLE							4		
49	2	26226-080222	STUD, M8X 22							2		
50	1	26106-080402	BOLT, M8X 40 PLATED							2		
51	1	26106-080602	BOLT, M8X 60 PLATED							4		
52	1	26106-080602	BOLT, M8X 60 PLATED							2		
53	1	26306-080002	NUT, M8							2		
54	1	124160-01751	CAP, FILLER							1		
55	1	129973-11320	BONNET ASSY, HEAD							1		
56	2	129907-03011	PLATE, BAFFLE							1		
57	2	129907-03061	BAFFLE, BREATHER							1		
58	2	129907-03070	BAFFLE, BREATHER							1		
59	2	123908-03199	PLATE, BREATHER							1		
61	2	129933-11310	GASKET, BONNET							1		

Remarks
(1) REPAIR PART.

N:Old, N:New, Q:Old, Q:New, R:Old, R:New, S:Old, S:New, W:Add, Z:Discontinued, F:Interchangeable by set, K:Q'ty Change
++ CONTINUE ++
Copyright (C) YANMAR GLOBAL CS CO., LTD. All Rights Reserved.

Fig.4. CYLINDER HEAD & BONNET



(A)=4TNV98T-ZXCR
(B)=
(C)=

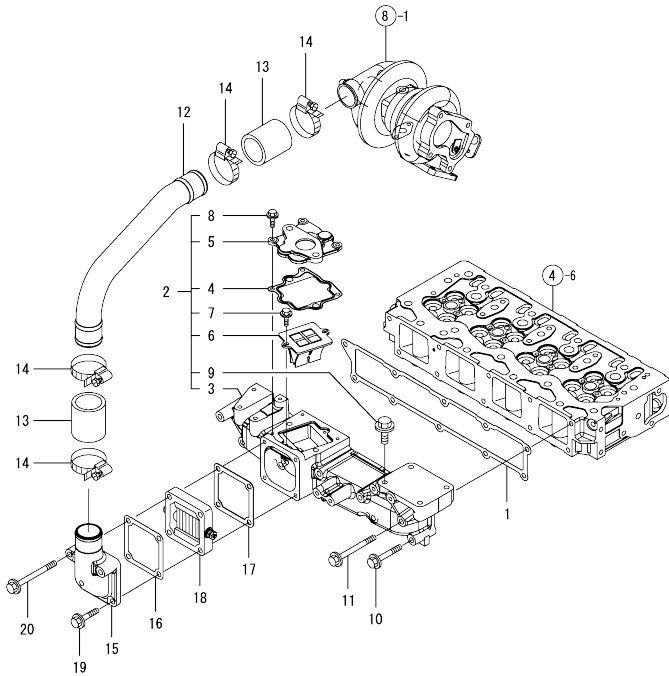
(D)=
(E)=
(F)=

No.	Lev.	Parts No.	Description	Qty						I	R
				(A)	(B)	(C)	(D)	(E)	(F)		
62	2	119100-11330	ELBOW, BREATHER	1							
63	2	129509-79700	CLAMP, 140-M6	1							
64	2	22857-500100	SCREW, 5X10	6							
65	2	22857-500120	SCREW, 5X12	6							
66	2	23876-030000	PLUG, R03	1							
67	2	26106-060122	BOLT, M6X 12 PLATED	1							
68	1	124160-11360	KNOB	4							
69	1	24311-000120	O-RING, 1AP12.0	4							
70	1	24311-000320	O-RING, 1AP32.0	1							
71	1	129973-03030	HOSE ASSY, BREATHER	1							
74	2	129410-03990	CLAMP, HOSE 21.5	2							
75	1	129972-03200	SEPARATOR ASSY, MIST	1							
76	2	129972-03210	SEPARATOR, MIST	1							
77	2	129972-03220	COVER, SEPARATOR	1							
78	2	123901-03240	FILTER	3							
79	2	26116-050102	BOLT, M5X 10 PLATED	4							
80	1	129972-03280	JOINT, BREATHER	1							
81	1	129972-03310	HOSE	1							
82	1	23000-022000	CLAMP, 22	2							
83	1	23065-160500	PIPE, 16X 500	1							
84	1	23876-030000	PLUG, R03	1							
85	1	26106-080142	BOLT, M8X 14 PLATED	2							

Remarks
(1) REPAIR PART.

N:Old $\frac{100}{100}$ New, Q:Old $\frac{100}{100}$ New, R:Old $\frac{100}{100}$ New, S:Old $\frac{100}{100}$ New, W:Add, Z:Discontinued, F:Interchangeable by set, K:Qty Change
Copyright (C) YANMAR GLOBAL CS CO., LTD. All Rights Reserved.

Fig.5. SUCTION MANIFOLD

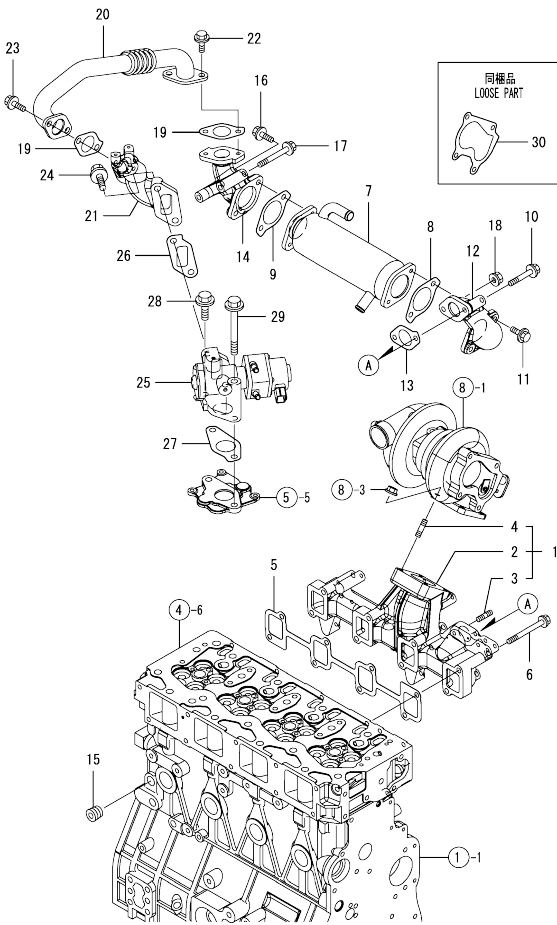


(A)=4TNV98T-ZXCR
(B)=
(C)=

(D)=
(E)=
(F)=

No.	Lev.	Parts No.	Description	Q'ty						I	R
				(A)	(B)	(C)	(D)	(E)	(F)		
1	1	129907-12110	GASKET, MANIFOLD	1							
2	1	129973-12160	MANIFOLD ASSY,INTAKE	1							
3	2	129973-12100	MANIFOLD, AIR INTAKE	1							
4	2	129973-12110	GASKET	1							
5	2	129973-12200	SPACER	1							
6	2	129928-13700	VALVE, LEAD	1							
7	2	26106-060142	BOLT, M6X 14 PLATED	2							
8	2	26106-060182	BOLT, M6X 18 PLATED	3							
9	2	26106-100162	BOLT, M10X 16 PLATED	1							
10	1	26106-080552	BOLT, M8X 55 PLATED	5							
11	1	26106-080852	BOLT, M8X 85 PLATED	5							
12	1	129973-18200	DUCT, AIR	1							
13	1	123951-18220	JOINT, RUBBER	2							
14	1	23000-054000	CLAMP, 54	4							
15	1	129973-12850	BEND, INTAKE	1							
16	1	119129-77020	GASKET	1							
17	1	121850-77021	GASKET, AIR HEATER	1							
18	1	119005-77051	HEATER, AIR	1							
19	1	26106-080402	BOLT, M8X 40 PLATED	2							
20	1	26106-080702	BOLT, M8X 70 PLATED	2							

Fig.6. EXHAUST MANIFOLD

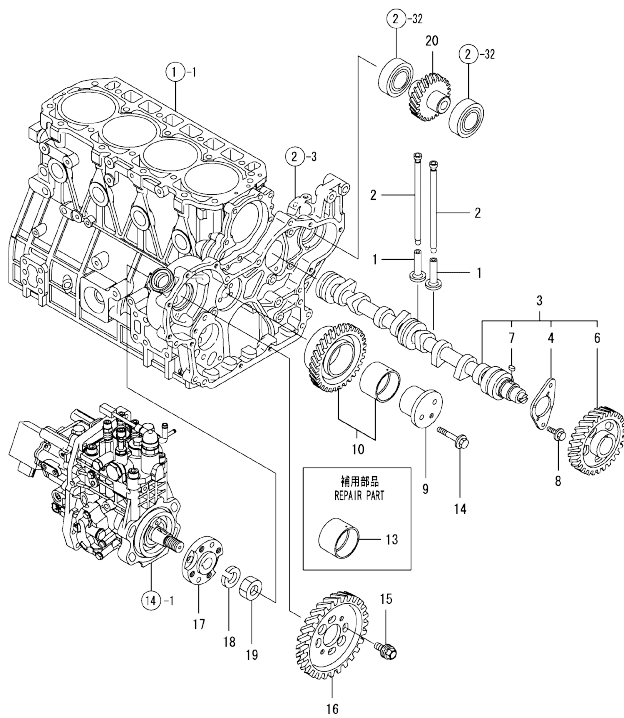


(A)=4TNV98T-ZXCR
(B)=
(C)=

(D)=
(E)=
(F)=

No.	Lev.	Parts No.	Description	Qty						I	R	
				(A)	(B)	(C)	(D)	(E)	(F)			
1	1	129973-13150	MANIFOLD ASSY	1								
2	2	129973-13101	MANIFOLD, EXHAUST	1								
3	2	129418-18320	BOLT, STUD M8X20	1								
4	2	129418-18320	BOLT, STUD M8X20	4								
5	1	129900-13251	GASKET, EXH.MANIFOLD	1								
6	1	123900-13630	BOLT, M8X80	8								
7	1	129973-13400	COOLER, EGR	1								
8	1	129928-13410	GASKET	1								
9	1	129928-13410	GASKET	1								
10	1	119802-13620	BOLT, M8X50	1								
11	1	119802-13790	BOLT, M8X25 10.9T	2								
12	1	129973-13800	BEND	1								
12-1	1	129973-13801	BEND,EGR COOLER IN	1							N	
(A=EZZZZZ)												
13	1	129927-13810	GASKET	1								
14	1	129973-13810	BEND	1								
14-1	1	129973-13811	BEND,EGR COOLER OUT	1							N	
(A=EZZZZZ)												
15	1	23876-030000	PLUG, R03	1								
16	1	26106-080222	BOLT, M8X 22 PLATED	2								
17	1	26106-080652	BOLT, M8X 65 PLATED	2								
18	1	26306-080002	NUT, M8	1								
19	1	129927-13810	GASKET	2								
20	1	129973-13820	PIPE ASSY	1								
21	1	129973-13840	PIPE	1								
22	1	26106-080162	BOLT, M8X 16 PLATED	2								
23	1	26106-080162	BOLT, M8X 16 PLATED	2								
24	1	26106-100302	BOLT, M10X 30 PLATED	2								
25	1	129927-13900	VALVE, EGR	1								
26	1	129927-13910	GASKET, EGR	1								
27	1	129927-13920	GASKET, EGR	1								
28	1	26106-100402	BOLT, M10X 40 PLATED	1								
29	1	26106-101052	BOLT, M10X105 PLATED	1								
30	1	123901-18080	GASKET	1								

Fig.7. CAMSHAFT & DRIVING GEAR



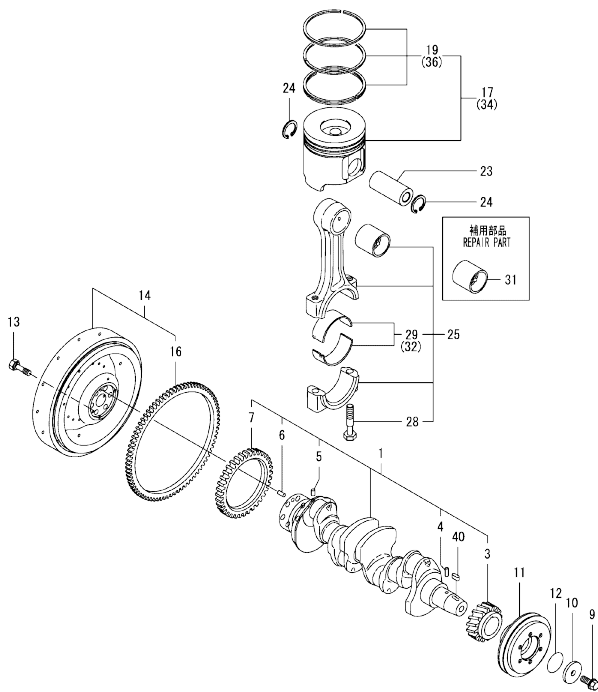
(A)=4TNV98T-ZXCR
(B)=
(C)=

(D)=
(E)=
(F)=

No.	Lev.	Parts No.	Description	Q'ty						I	R
				(A)	(B)	(C)	(D)	(E)	(F)		
1	1	129150-14200	TAPPET	8							
2	1	129907-14400	PUSH-ROD	8							
3	1	129908-14590	CAMSHAFT ASSY	1							
4	2	129150-02450	BEARING, THRUST	1							
6	2	129900-14110	GEAR, CAMSHAFT	1							
7	2	22512-070140	KEY, 7X 14	1							
8	1	26106-080162	BOLT, M8X 16 PLATED	2							
9	1	123900-25060	SHAFT, IDLE GEAR	1							
10	1	129900-25110	GEAR ASSY, IDLE	1							
13	1	129150-25920	BUSH, IDLE GEAR	1							1
14	1	26106-080552	BOLT, M8X 55 PLATED	3							
15	1	129953-25300	BOLT	4							
16	1	129907-25900	GEAR, PUMP	1							
17	1	158563-51150	FLANGE	1							
18	1	22217-180000	WASHER, SPRING 18	1							
19	1	26776-180002	NUT, LOCK M18	1							
20	1	129900-26030	GEAR ASSY, PUMP	1							

Remarks
(1) REPAIR PART.

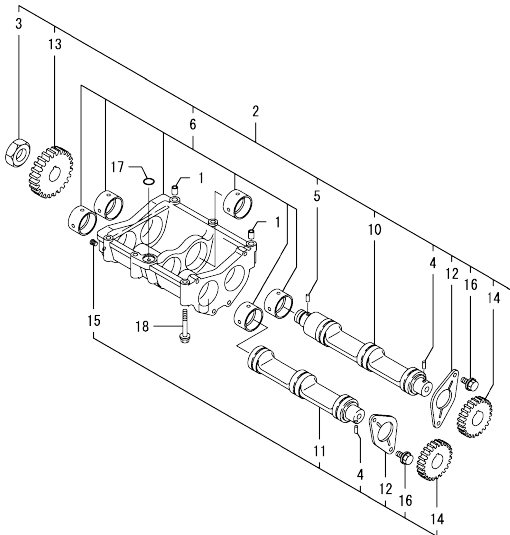
Fig.9. CRANKSHAFT & PISTON



- Remarks
 (1) REPAIR PART.
 (2) UNDER-SIZED(U.S=0.25)PART.
 (3) OVER-SIZED(O.S=0.25)PART.

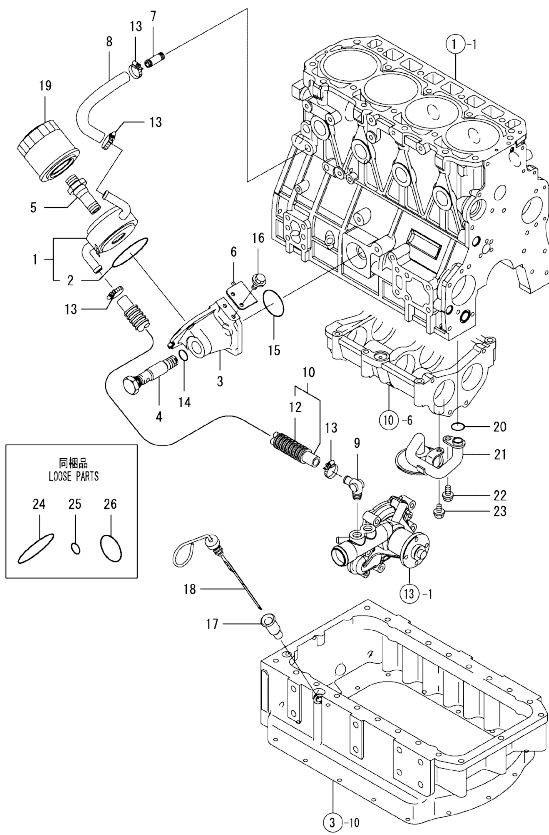
No.	Lev.	Parts No.	Description	Q'ty						I	R
				(A)	(B)	(C)	(D)	(E)	(F)		
1	1	129942-21000	CRANKSHAFT ASSY	1							
3	2	129900-21220	GEAR, CRANKSHAFT	1							
4	2	121850-21290	PIN	1							
5	2	121850-21290	PIN	1							
6	2	121850-21920	PIN, PARALLEL 10X22	1							
7	2	129956-28321	GEAR, BALANCER	1							
9	1	129916-21610	BOLT	1							
10	1	129960-21640	WASHER	1							
11	1	129973-21670	V-PULLEY, 155	1							
12	1	24341-000530	O-RING, 1AS53.0	1							
13	1	121850-21130	BOLT, FLYWHEEL	6							
14	1	129968-21580	FLYWHEEL ASSY	1							
16	2	129900-21600	GEAR, RING	1							
17	1	129928-22080	PISTON ASSY	4							
19	2	129927-22050	RING SET, PISTON	4							
23	1	120130-22301	PIN, PISTON	4							
24	1	22252-000300	RING, 30	8							
25	1	129900-23001	ROD ASSY, CONNECTING	4							
28	2	129900-23200	BOLT, CONNECTING ROD	8							
29	2	129900-23601	BEARING, CRANK PIN	4							
31	1	129900-23911	BEARING, PISTON PIN	4							1
32	1	129900-23611	BEARING ASSY, 0.25US	4							2
34	1	729928-22900	PISTON ASSY, 0.25 OS	4							3
36	2	729927-22950	RING SET, 0.25 OS	4							3
40	1	22512-070140	KEY, 7X 14	1							

Fig.10. BALANCER



No.	Lev.	Parts No.	Description	Q'ty						I	R
				(A)	(B)	(C)	(D)	(E)	(F)		
1	1	129795-01960	PIPE, DOWEL 11X12	2							
2	1	129956-28009	BALANCER ASSY	1							
2-1	1	129956-28030	BALANCER ASSY	1							R
(A=E110182)											
3	2	128610-14120	NUT, END	1							
4	2	121850-21290	PIN	2							
5	2	121850-21290	PIN	1							
6	2	129956-28019	CASE ASSY, BALANCER	1							
6-1	2	129956-28040	CASE ASSY, BALANCER	1							R
(A=E110182)											
10	2	129956-28101	SHAFT, BALANCER	1							
11	2	129956-28111	SHAFT, BALANCER	1							
12	2	129956-28180	PLATE, THRUST	2							
13	2	129956-28332	GEAR, BALANCER	1							
14	2	129956-28341	GEAR, BALANCER	2							
15	2	23876-005000	PLUG, R005	1							
16	2	26106-080162	BOLT, M8X 16 PLATED	4							
17	1	24311-000200	O-RING, 1AP20.0	1							
18	1	26106-080602	BOLT, M8X 60 PLATED	6							

Fig.11. LUB.OIL SYSTEM



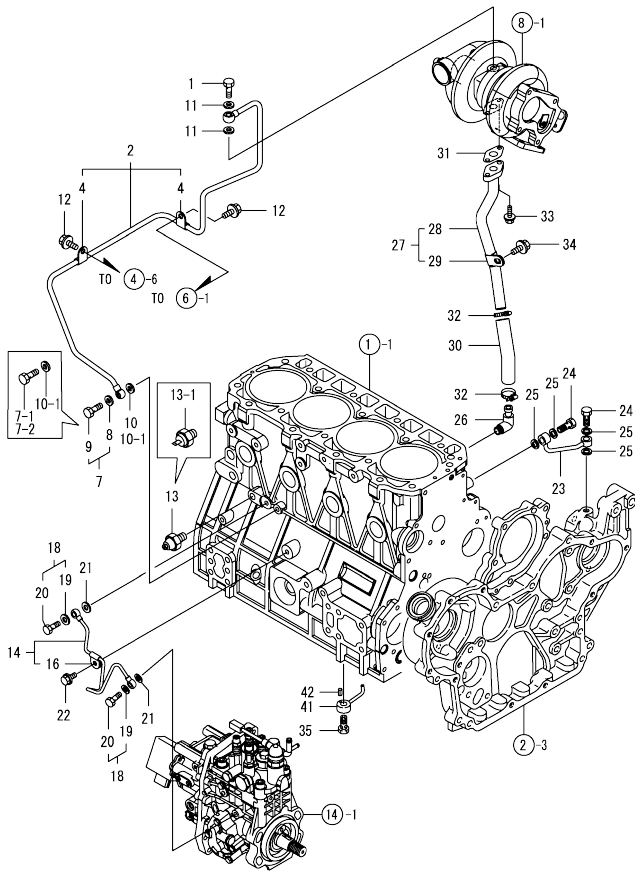
(A)=4TNV98T-ZXCR
(B)=
(C)=

(D)=
(E)=
(F)=

No.	Lev.	Parts No.	Description	Q'ty						I	R
				(A)	(B)	(C)	(D)	(E)	(F)		
1	1	129956-33011	COOLER ASSY, OIL	1							
2	2	129957-33050	O-RING	1							
3	1	129956-33101	BRACKET, OIL COOLER	1							
4	1	129956-33110	BOLT	1							
5	1	129956-33120	BOLT, COOLER	1							
6	1	129972-33140	STOPPER	1							
7	1	129122-44480	JOINT	1							
8	1	129956-49172	PIPE, WATER	1							
9	1	129466-49300	ELBOW, PT3/8	1							
10	1	129907-49630	PIPE ASSY, WATER	1							
12	2	129907-49650	TUBE, CORRUGATED	1							
13	1	23000-025000	CLAMP, 25	4							
14	1	24314-000200	O-RING, 4CP20.0	1							
15	1	24321-000600	O-RING, 1AG60.0	1							
16	1	26106-060142	BOLT, M6X 14 PLATED	2							
17	1	119860-34810	GUIDE, DIPSTICK	1							
18	1	129956-34810	DIPSTICK, OIL	1							
19	1	129150-35153	FILTER ASSY, D80X80L	1							1
20	1	129900-32030	O-RING, P20	1							
21	1	129920-35080	PIPE ASSY, OIL INLET	1							
22	1	26106-080142	BOLT, M8X 14 PLATED	1							
23	1	26106-080202	BOLT, M8X 20 PLATED	1							
24	1	129957-33050	O-RING	1							
25	1	24314-000200	O-RING, 4CP20.0	1							
26	1	24321-000600	O-RING, 1AG60.0	1							

Remarks
(1) REPAIR PART.

OCW10-M40600 4TNV98T-ZXCR
 Fig.12. LUB. OIL LINE



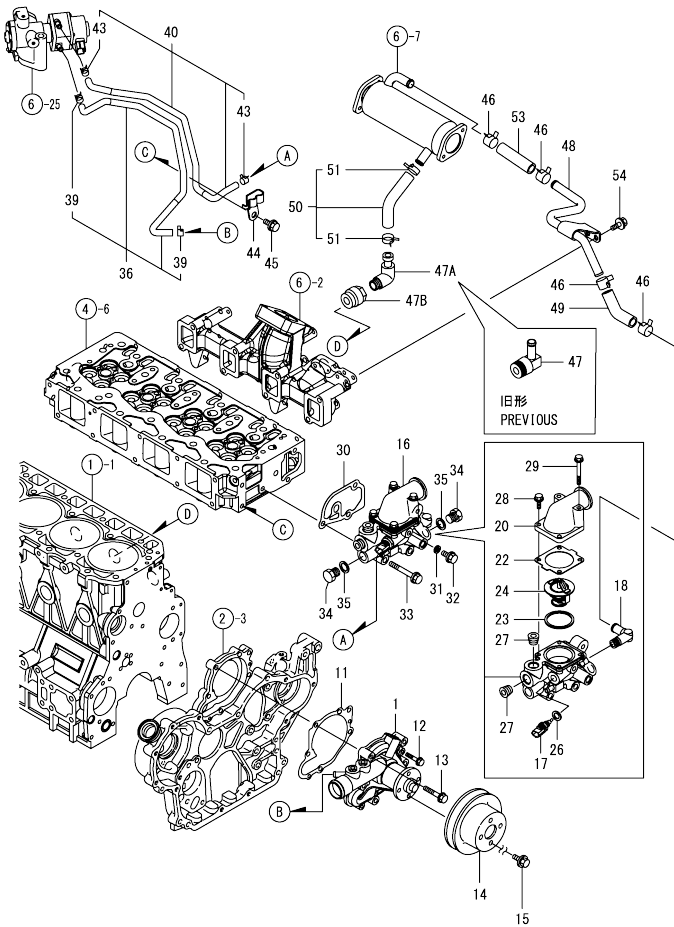
OCW10-M40600 Fig.12

(A)=4TNV98T-ZXCR
 (B)=
 (C)=

(D)=
 (E)=
 (F)=

No.	Lev.	Parts No.	Description	Q'ty						I	R
				(A)	(B)	(C)	(D)	(E)	(F)		
1	1	121252-39150	BOLT, JOINT M10X1.5	1							
2	1	129973-39450	PIPE ASSY, OIL	1							
4	2	124223-39900	RETAINER	2							
7	1	129005-59830	BOLT ASSY, JOINT M8	1							S
7-1	1	105010-39140	BOLT, PIPE JOINT M8	1							
(A=E83360)											
7-2	1	129198-59540	BOLT, PIPE JOINT M8	1							S
(A=2020.06)											
8	2	22190-080002	WASHER, SEAL 6	1							Z
(A=E83360)											
9	2	23857-030000	BOLT, JOINT 3	1							Z
(A=E83360)											
10	1	22190-080002	WASHER, SEAL 6	1							K
10-1	1	22190-080002	WASHER, SEAL 8	2							
(A=E83360)											
11	1	23414-100000	GASKET, 10X1.0	2							
12	1	26106-080122	BOLT, M8X 12 PLATED	2							
13	1	121252-39450	SWITCH, HYDRAULIC	1							
13-1	1	119761-39450	SWITCH, HYDRAULIC	1							S
(A=EZZZZZ)											
14	1	129927-39060	PIPE ASSY, OIL	1							
16	2	123907-39500	RETAINER, PIPE	1							
18	1	129005-59830	BOLT ASSY, JOINT M8	2							
19	2	22190-080002	WASHER, SEAL 6	2							
20	2	23857-030000	BOLT, JOINT 3	2							
21	1	22190-080002	WASHER, SEAL 6	2							
22	1	26106-080122	BOLT, M8X 12 PLATED	1							
23	1	129930-39050	PIPE, OIL	1							
24	1	105010-39140	BOLT, PIPE JOINT	2							
25	1	22190-080002	WASHER, SEAL 6	4							
26	1	124070-13300	ELBOW, PT3/8	1							
27	1	129973-39610	PIPE ASSY, OIL	1							
28	2	129973-39650	PIPE, OIL	1							
29	2	123910-39850	RETAINER	1							
30	1	129973-39640	JOINT	1							
31	1	129908-39690	GASKET	1							
32	1	23000-025000	CLAMP, 25	2							
33	1	26106-060162	BOLT, M6X 16 PLATED	2							
34	1	26106-080122	BOLT, M8X 12 PLATED	1							
35	1	129908-39410	VALVE ASSY, CHECK	4							
41	1	119000-39650	NOZZLE, COOLING	4							
42	1	22351-030010	PIN, SPRING 3.0X10	4							

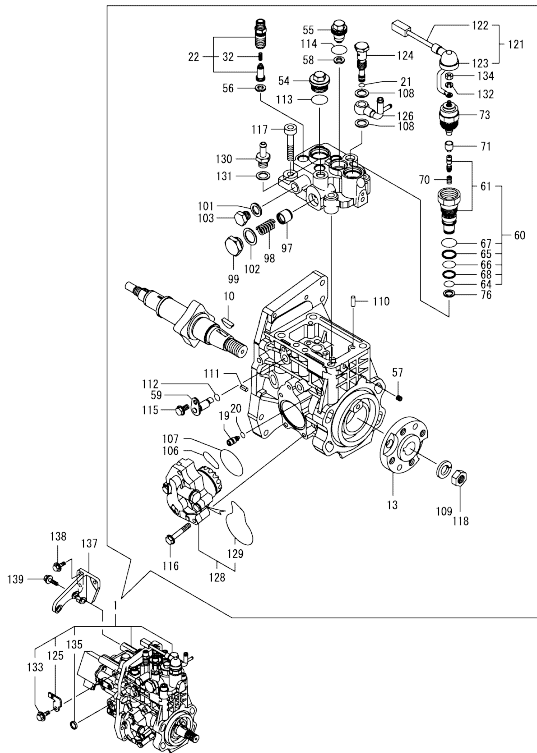
Fig.13. COOLING WATER SYSTEM



No.	Lev.	Parts No.	Description	Q'ty						I	R
				(A)	(B)	(C)	(D)	(E)	(F)		
1	1	129927-42000	PUMP ASSY, WATER	1							
11	1	129900-42020	GASKET, WATER PUMP	1							
12	1	26106-060302	BOLT, M6X 30 PLATED	2							
13	1	26106-080552	BOLT, M8X 55 PLATED	5							
14	1	129900-42450	V-PULLEY, C.W.PUMP	1							
15	1	26106-080122	BOLT, M8X 12 PLATED	4							
16	1	129973-49810	CASE ASSY,THERMOSTAT	1							
17	2	129927-44900	SENSOR, WATER TEMP.	1							
18	2	129973-49400	ELBOW, R3/8	1							
20	2	129980-49530	COVER, THERMOSTAT	1							
22	2	121850-49540	GASKET, THERMOSTAT	1							
23	2	121850-49550	GASKET, THERMOSTAT	1							
24	2	121850-49800	THERMOSTAT, 82C	1							
26	2	22190-120002	WASHER, SEAL 12	1							
27	2	23875-030000	PLUG, R03	2							
28	2	26106-060202	BOLT, M6X 20 PLATED	2							
29	2	26106-060552	BOLT, M6X 55 PLATED	2							
30	1	129900-49870	GASKET, THERMOSTAT	1							
31	1	23414-080000	GASKET, 8X1.0	1							
32	1	26106-080122	BOLT, M8X 12 PLATED	1							
33	1	26106-080602	BOLT, M8X 60 PLATED	3							
34	1	121450-42450	PLUG, M16	2							
35	1	124465-44950	GASKET, 16	2							
36	1	129968-49610	PIPE, WATER	1							
39	2	23080-012000	CLAMP, 12	2							
40	1	129968-49620	PIPE, WATER	1							
43	2	23080-012000	CLAMP, 12	2							
44	1	129968-49850	RETAINER, PIPE	1							
45	1	26106-080142	BOLT, M8X 14 PLATED	1							
46	1	129960-03990	CLAMP, HOSE 19.8	4							
47	1	129973-49100	ELBOW	1							Z
		(A=2009.02)									
47A	1	124070-13300	ELBOW, PT3/8	1							W
		(A=2009.02)									
47B	1	129973-49110	JOINT	1							W
		(A=2009.02)									
48	1	129973-49640	PIPE, WATER	1							
49	1	129973-49680	PIPE, WATER	1							
50	1	129973-49740	PIPE ASSY, WATER	1							
51	2	129960-03990	CLAMP, HOSE 19.8	2							
53	1	129973-49780	JOINT	1							
54	1	26106-080122	BOLT, M8X 12 PLATED	2							

N:Old $\frac{New}{Old}$ New, Q:Old $\frac{New}{Old}$ New, R:Old $\frac{New}{Old}$ New, S:Old $\frac{New}{Old}$ New, W:Add, Z:Discontinued, F:Interchangeable by set, K:Q'ty Change
Copyright (C) YANMAR GLOBAL CS CO., LTD. All Rights Reserved.

Fig.14. FUEL INJECTION PUMP



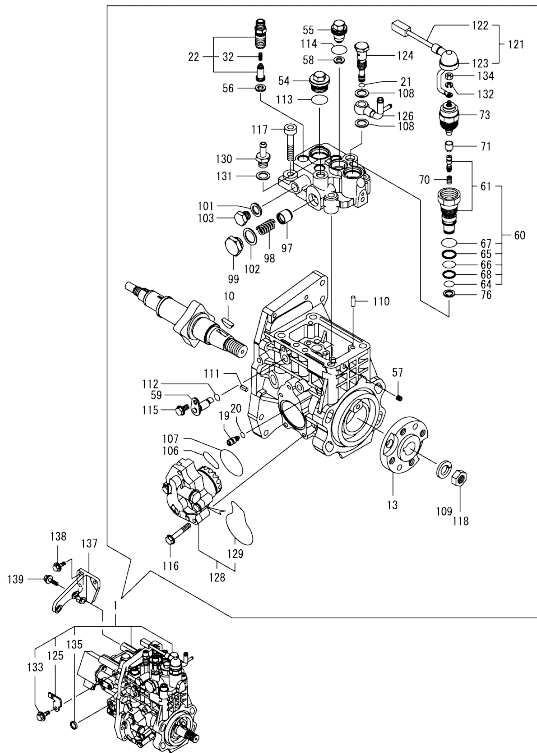
Remarks

(1) GOVERNOR ASSY (FIG.15) IS INCORPORATED IN THIS FUEL INJECTION PUMP (REF.NO.1).
 * ECO PUMP
 MAKE SURE TO UPDATE THE ENGINES ECU INFORMATION WHEN REPLACING THE ECO PUMP.
 FAILING TO DO SO WILL RESULT IN ENGINE MALFUNCTION.

No.	Lev.	Parts No.	Description	Qty						I	R	
				(A)	(B)	(C)	(D)	(E)	(F)			
1	1	729973-51330	PUMP ASSY, INJECTION	1							1	
10	2	144626-51090	FEATHER KEY, 5X19	1								
13	2	158563-51150	FLANGE	1								
19	2	158600-51270	STOPPER, TAPPET	1								
20	2	158563-51281	O-RING, 4D S6	1								
21	2	158563-51281	O-RING, 4D S6	1								
22	2	129928-51390	VALVE ASSY, DELIVERY	4								
32	3	158563-51330	SPRING, DELIVERY	4								
54	2	158601-51550	PLUG, M22	1								
55	2	129907-51560	PLUG, M16	1								
56	2	158552-51571	GASKET, PLUG	4								
57	2	158557-51570	PLUG, RACK	1								
58	2	129906-51580	GASKET, PLUG	1								
59	2	158552-51580	LIFTER, LINK	1								
60	2	129657-51590	TIMER ASSY	1								
61	3	129657-51600	TIMER ASSY	1								
64	3	158553-51670	O-RING	1								
65	3	119802-51680	RING, BACKUP	1								
66	3	119802-51690	O-RING	1								
67	3	24356-010200	O-RING, 4D1020	1								
68	3	24372-000150	RING, BACK UP T2P15	1								
70	2	119852-51630	SPRING, TIMER	1								
71	2	119852-51640	CAP, TIMER	1								
73	2	119852-51650	VALVE ASSY, SOLENOID	1								
76	2	158553-51680	GASKET, TIMER	1								
97	2	158601-51770	PISTON, ACCUMULATOR	1								
98	2	158552-51781	SPRING, ACCUMULATOR	1								
99	2	158601-51790	PLUG	1								
101	2	22190-120002	WASHER, SEAL 12	1								
102	2	22190-180002	WASHER, SEAL 18	1								
103	2	23887-120002	PLUG, 12	1								
106	2	158552-52310	O-RING	1								
107	2	158552-52400	O-RING, 4E S42	1								
108	2	22190-120002	WASHER, SEAL 12	2								
109	2	22217-180000	WASHER, SPRING 18	1								
110	2	22312-050140	PIN, PARALLEL M5X14	2								
111	2	22351-050010	PIN, SPRING 5.0X10	2								
112	2	24311-000070	O-RING, 1AP7.0	1								
113	2	24356-010200	O-RING, 4D1020	1								
114	2	24356-020210	O-RING, 4D2021	1								
115	2	26106-060102	BOLT, M6X 10 PLATED	1								
116	2	26106-060352	BOLT, M6X 35 PLATED	4								
117	2	26450-100452	BOLT, M10X 45	4								
118	2	26776-180002	NUT, LOCK M18	1								
121	2	129927-51650	HARNESS ASSY, WIRE	1								
122	3	129927-51660	HARNESS	1								
123	3	129263-77941	CAP, RUBBER	1								
124	2	158601-51650	JOINT, OVER FLOW	1								
125	2	129927-51670	BRACKET	1								
126	2	158552-51670	JOINT, OVER FLOW	1								
128	2	158552-52100	PUMP ASSY, FUEL FEED	1								

N:Old $\frac{New}{Old}$ New, Q:Old $\frac{New}{Old}$ New, R:Old $\frac{New}{Old}$ New, S:Old $\frac{New}{Old}$ New, W:Add, Z:Discontinued, F:Interchangeable by set, K:Qty Change
 ++ CONTINUE ++
 Copyright (C) YANMAR GLOBAL CS CO., LTD. All Rights Reserved.

Fig.14. FUEL INJECTION PUMP



(A)=4TNV98T-ZXCR
(B)=
(C)=

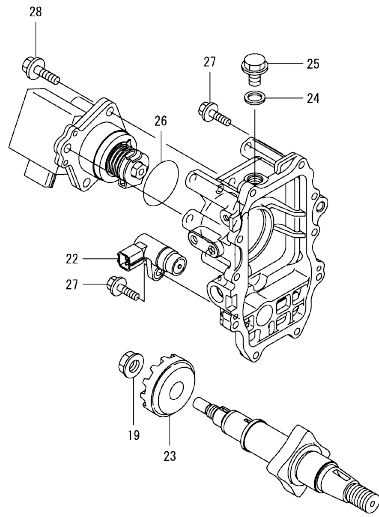
(D)=
(E)=
(F)=

No.	Lev.	Parts No.	Description	Q'ty					
				(A)	(B)	(C)	(D)	(E)	(F)
129	3	158552-52500	O-RING	1					
130	2	119934-59910	JOINT, PIPE	1					
131	2	22190-120002	WASHER, SEAL 12	1					
132	2	22217-050000	WASHER, SPRING 5	1					
133	2	26106-060122	BOLT, M6X 12 PLATED	1					
134	2	26716-050002	NUT, M5	1					
135	2	27241-160000	PLUG, 16	1					
137	1	129927-51250	RETAINER, PUMP	1					
138	1	26106-080202	BOLT, M8X 20 PLATED	3					
139	1	26106-080302	BOLT, M8X 30 PLATED	3					

Remarks

(1) GOVERNOR ASSY (FIG.15) IS INCORPORATED IN THIS FUEL INJECTION PUMP (REF.NO.1).
* ECO PUMP
MAKE SURE TO UPDATE THE ENGINES ECU INFORMATION WHEN REPLACING THE ECO PUMP.
FAILING TO DO SO WILL RESULT IN ENGINE MALFUNCTION.

Fig.15. GOVERNOR



(A)=4TNV98T-ZXCR
(B)=
(C)=

(D)=
(E)=
(F)=

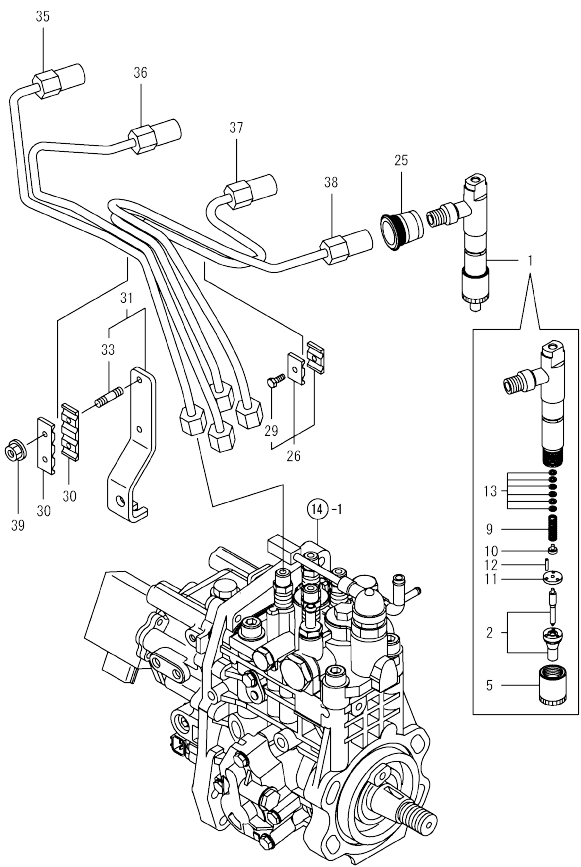
No.	Lev.	Parts No.	Description	Q'ty					
				(A)	(B)	(C)	(D)	(E)	(F)
19	2	129008-61301	NUT	1					
22	2	158557-61720	SENSOR	1					
23	2	158553-61780	GEAR, SENSOR	1					
24	2	23414-120000	GASKET, 12X1.0	1					
25	2	23887-120002	PLUG, 12	1					
26	2	24341-000480	O-RING, 1AS48.0	1					
27	2	26106-060252	BOLT, M6X 25 PLATED	10					
28	2	26106-080252	BOLT, M8X 25 PLATED	3					

Remarks
* THIS FIGURE(GOVERNOR ASSY)IS
INCORPORATED IN THE FUEL INJECTION
PUMP ASSY(FIG.14).

Fig.16. FUEL INJECTION VALVE

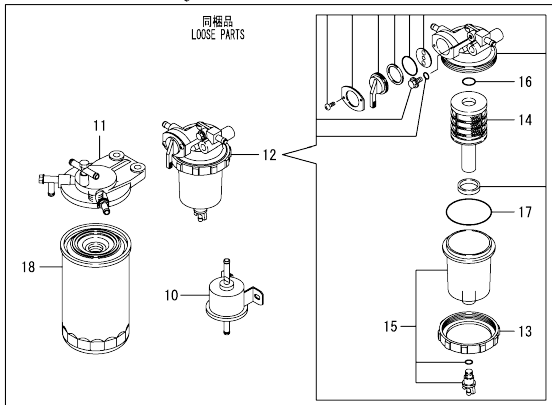
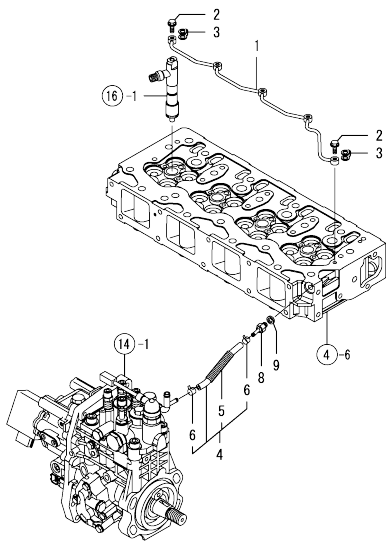
(A)=4TNV98T-ZXCR
(B)=
(C)=

(D)=
(E)=
(F)=



No.	Lev.	Parts No.	Description	Q'ty						I	R
				(A)	(B)	(C)	(D)	(E)	(F)		
1	1	729928-53100	FUEL INJECTOR ASSY	4							
2	2	129928-53000	NOZZLE ASSY, F.I.	4							
5	2	114250-53080	NUT, NOZZLE	4							
9	2	114250-53120	SPRING, NOZZLE	4							
10	2	114250-53130	SEAT, SPRING	4							
11	2	114250-53140	SPACER	4							
12	2	114250-53210	PIN	8							
13	2	114250-53400	SHIM SET	4							
25	1	123907-11601	SEAL, PIPE	4							
26	1	119305-59120	RETAINER, PIPE	1							
29	2	129150-59131	BOLT, M4X14	1							
30	1	123472-59120	RETAINER, PIPE	2							
31	1	129973-59700	SUPPORT ASSY	1							
33	2	26216-060202	STUD, M6X 20	2							
35	1	129973-59810	PIPE ASSY, INJECTION	1							
36	1	129973-59820	PIPE ASSY, INJECTION	1							
37	1	129973-59830	PIPE ASSY, INJECTION	1							
38	1	129973-59840	PIPE ASSY, INJECTION	1							
39	1	26366-060002	NUT, M6	2							

Fig.17. FUEL LINE

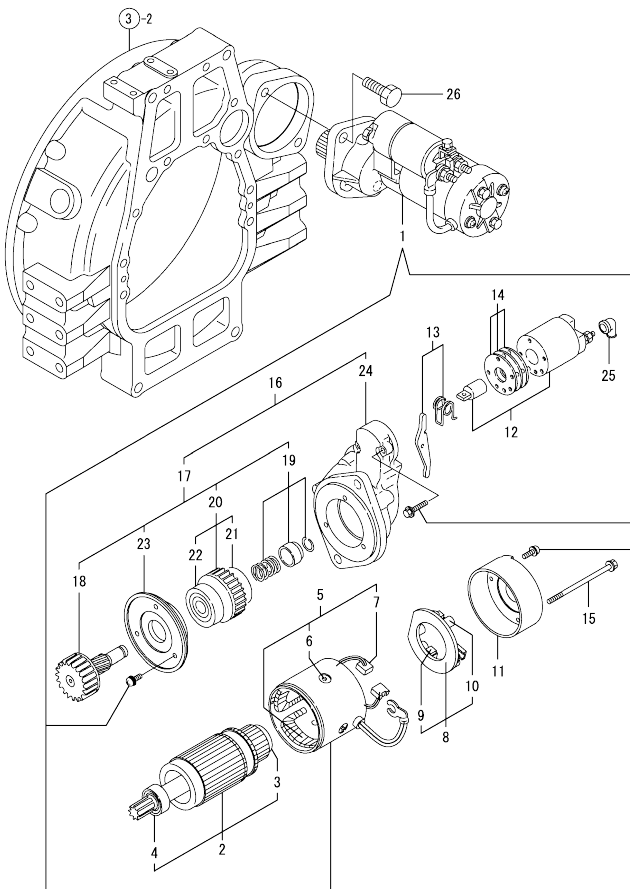


(A)=4TNV98T-ZXCR
(B)=
(C)=

(D)=
(E)=
(F)=

No.	Lev.	Parts No.	Description	Q'ty						I	R
				(A)	(B)	(C)	(D)	(E)	(F)		
1	1	129907-59140	PIPE ASSY, RETURN	1							
2	1	123907-59540	BOLT, PIPE JOINT M6	5							
3	1	123907-59550	GASKET	5							
4	1	129927-59550	HOSE ASSY, RETURN	1							
5	2	129263-49750	TUBE, CORRUGATED	1							
6	2	124722-59050	CLAMP, HOSE 9	2							
8	1	123907-59560	JOINT, HOSE	1							
9	1	22190-080002	WASHER, SEAL 6	1							
10	1	119225-52102	PUMP, FUEL FEED	1							
11	1	129004-55612	BRACKET, FILTER	1							
12	1	119802-55700	SEPARATOR ASSY,WATER	1							
13	2	129100-55690	RING, CUP RETAINING	1							
14	2	119802-55710	ELEMENT	1							
15	2	119802-55730	CUP ASSY, SEPARATOR	1							
16	2	24311-000160	O-RING, 1AP16.0	1							
17	2	24321-000650	O-RING, 1AG65.0	1							
18	1	123907-55801	FILTER, FUEL	1							

Fig.18. STARTING MOTOR



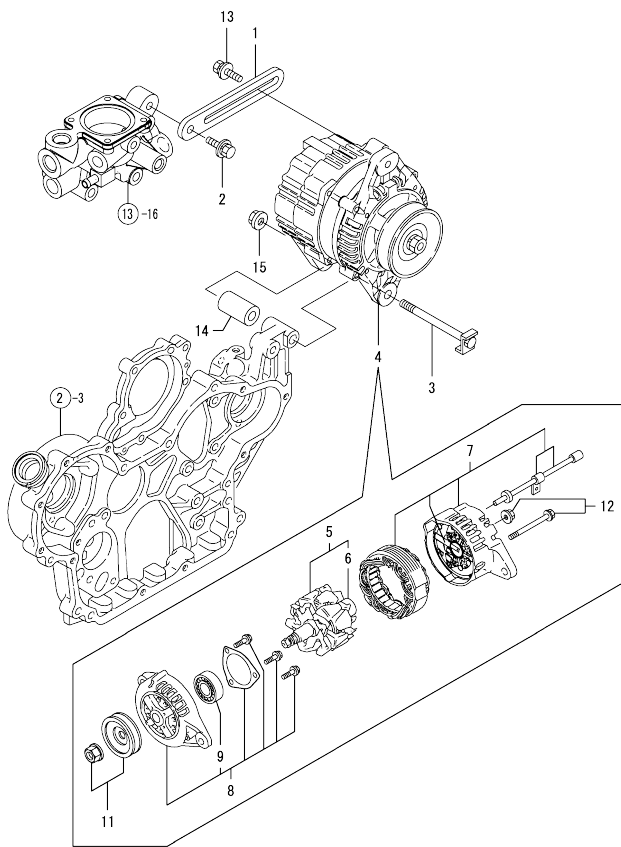
(A)=4TNV98T-ZXCR
(B)=
(C)=

(D)=
(E)=
(F)=

No.	Lev.	Parts No.	Description	Q'ty					
				(A)	(B)	(C)	(D)	(E)	(F)
1	1	129900-77010	STARTER ASSY	1					
2	2	129900-77400	ARMATURE ASSY	1					
3	3	X2114155110	BEARING, BALL	1					
4	3	X2114255110	BEARING, BALL	1					
5	2	129900-77440	COIL ASSY, FIELD	1					
6	3	171008-77450	SCREW, CORE SET	4					
7	3	129900-77450	BRUSH	2					
8	2	129900-77480	HOLDER ASSY, BRUSH	1					
9	3	129900-77450	BRUSH	2					
10	3	X2130631300	SPRING, BRUSH	4					
11	2	129900-77460	COVER	1					
12	2	129900-77591	SWITCH ASSY, MAGNET	1					
13	2	129900-77620	LEVER SET	1					
14	2	129900-77650	COVER KIT, DUST	1					
15	2	129900-77640	BOLT, THROUGH	2					
16	2	129900-77700	CASE ASSY, GEAR	1					
17	3	129900-77510	PINION ASSY, W/CLUTCH	1					
18	4	129900-77540	SHAFT, PINION	1					
19	4	129900-77550	STOPPER SET, PINION	1					
20	4	129900-77520	CLUTCH ASSY	1					
21	5	171008-77730	BEARING, BALL	1					
22	5	171008-77740	BEARING, BALL	1					
23	4	129900-77610	RETAINER, BEARING	1					
24	3	129900-77710	CASE, GEAR	1					
25	2	171008-77750	COVER, TERMINAL	1					
26	1	26116-120302	BOLT, M12X 30 PLATED	2					

0CW10-M40600 4TNV98T-ZXCR
 Fig.19. GENERATOR

0CW10-M40600 Fig.19

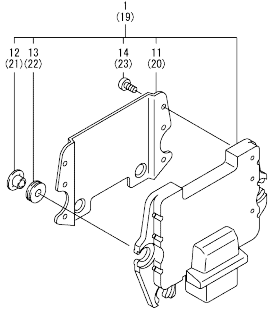


(A)=4TNV98T-ZXCR
 (B)=
 (C)=

(D)=
 (E)=
 (F)=

No.	Lev.	Parts No.	Description	Q'ty						I	R
				(A)	(B)	(C)	(D)	(E)	(F)		
1	1	129900-77330	ADJUSTER, BELT	1							
2	1	26014-080252	BOLT, M8X 25	1							
3	1	129002-77280	BOLT ASSY	1							
3-1	1	129002-77281	BOLT, M10	1							N
		(A=2009.04.)									
4	1	129612-77290	ALTERNATOR, 12V-80A	1							
5	2	123910-77740	ROTOR ASSY	1							
6	3	129900-77810	BEARING, BALL	1							
7	2	129612-77820	BRACKET ASSY	1							
8	2	129900-77890	BRACKET ASSY	1							
9	3	129900-77900	BEARING, BALL	1							
11	2	129900-77910	PULLEY	1							
12	2	129900-77920	SCREW KIT	1							
13	1	119810-77340	BOLT, ADJUST L=30	1							
14	1	129002-77340	PIECE, DISTANCE	1							
15	1	26306-100002	NUT, M10	1							

Fig.20. ELECTRONIC CONTROL UNIT (ECU)



(A)=4TNV98T-ZXCR
(B)=
(C)=

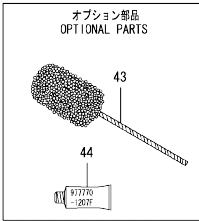
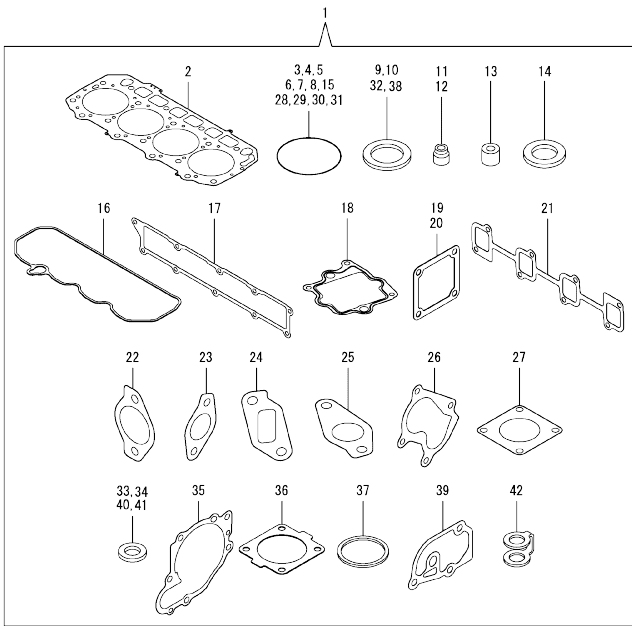
(D)=
(E)=
(F)=

No.	Lev.	Parts No.	Description	Q'ty						I	R
				(A)	(B)	(C)	(D)	(E)	(F)		
1	1	129973-75050	CONTROLLER ASSY, EUC	1							1
11	2	129927-77600	SHIELD, ECU	1							
12	2	129927-77680	COLLAR, CONTROL	3							
13	2	119578-91351	ABSORBER	3							
14	2	22877-500080	SCREW, 5X 8	6							
19	1	129927-75900	ECU ASSY, SERVICE	1							2
20	2	129927-77600	SHIELD, ECU	1							
21	2	129927-77680	COLLAR, CONTROL	3							
22	2	119578-91351	ABSORBER	3							
23	2	22877-500080	SCREW, 5X 8	6							

Remarks

(1)ECO ECU
THIS PART CANNOT BE ORDERED.
REPLACE THE PART USING A SERVICE
ECU WITH THE PROPER ENGINE
INFORMATION INSTALLED.
(2)SERVICE ECU
IF THE PROPER INFORMATION IS NOT
INSTALLED, THE ENGINE WILL NOT
OPERATE.
TO INSTALL PROPER INFORMATION,
GO TO AN AUTHORIZED DISTRIBUTOR.

Fig.21. GASKET SET



(A)=4TNV98T-ZXCR
(B)=
(C)=

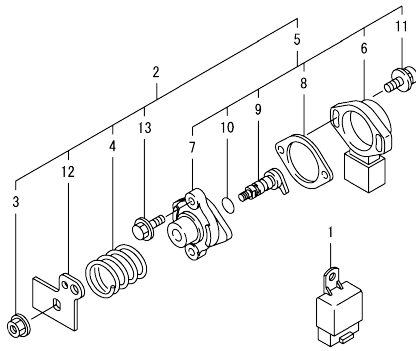
(D)=
(E)=
(F)=

No.	Lev.	Parts No.	Description	Qty						I	R	
				(A)	(B)	(C)	(D)	(E)	(F)			
1	1	729973-92610	GASKET SET	1							1	
2	2	129907-01331	GASKET, HEAD	1								
3	2	129900-32030	O-RING, P20	2								
4	2	129900-32040	O-RING, P14	1								
5	2	24311-000070	O-RING, 1AP7.0	1								
6	2	24351-030750	O-RING, 1A3075	1								
7	2	24311-000320	O-RING, 1AP32.0	2								
8	2	24321-000850	O-RING, 1AG85.0	1								
9	2	22190-060003	SEAL WASER 6	1								
10	2	22190-160002	WASHER, SEAL 16	1								
11	2	119803-11340	SEAL, VALVE STEM	8								
12	2	124160-11340	SEAL, VALVE STEM	8								
13	2	119802-11870	PROTECTOR, NOZZLE	4								
14	2	119625-11880	SEAT, NOZZLE	4								
15	2	24311-000120	O-RING, 1AP12.0	8								
16	2	129933-11310	GASKET, BONNET	1								
17	2	129907-12110	GASKET, MANIFOLD	1								
18	2	129973-12110	GASKET	1								
19	2	119129-77020	GASKET	1								
20	2	121850-77021	GASKET, AIR HEATER	1								
21	2	129900-13251	GASKET, EXH.MANIFOLD	1								
22	2	129928-13410	GASKET	2								
23	2	129927-13810	GASKET	3								
24	2	129927-13910	GASKET, EGR	1								
25	2	129927-13920	GASKET, EGR	1								
26	2	123901-18080	GASKET	1								
27	2	129472-18090	GASKET	1								
28	2	24341-000530	O-RING, 1AS53.0	1								
29	2	24311-000200	O-RING, 1AP20.0	1								
30	2	24314-000200	O-RING, 4CP20.0	1								
31	2	24321-000600	O-RING, 1AG60.0	1								
32	2	22190-080002	WASHER, SEAL 6	11								
33	2	23414-100000	GASKET, 10X1.0	2								
34	2	129908-39690	GASKET	1								
35	2	129900-42020	GASKET, WATER PUMP	1								
36	2	121850-49540	GASKET, THERMOSTAT	1								
37	2	121850-49550	GASKET, THERMOSTAT	1								
38	2	22190-120002	WASHER, SEAL 12	1								
39	2	129900-49870	GASKET, THERMOSTAT	1								
40	2	23414-080000	GASKET, 8X1.0	1								
41	2	124465-44950	GASKET, 16	2								
42	2	123907-59550	GASKET	5								
43	1	129400-92450	HONE, FLEX	1								1
44	1	977770-1207F	GASKET.LIQUID	1								1

Remarks
(1) OPTIONAL PART.

0CW10-M40600 4TNV98T-ZXCR
 Fig.22. LOOSE PART

0CW10-M40600 Fig.22



(A)=4TNV98T-ZXCR
 (B)=
 (C)=

(D)=
 (E)=
 (F)=

No.	Lev.	Parts No.	Description	Q'ty					
				(A)	(B)	(C)	(D)	(E)	(F)
1	1	198461-52950	RELAY, CA TYPE C	3					
2	1	129938-77800	SENSOR ASSY, ACCEL	1					
3	2	194990-22130	NUT, M6	1					
4	2	119060-61990	SPRING, RETURN	1					
5	2	129054-77800	SENSOR ASSY, ACCEL	1					
6	3	185100-50070	BODY	1					
7	3	129054-77811	SUPPORT, SENSOR	1					
8	3	129054-77820	GASKET	1					
9	3	129054-77830	SHAFT ASSY	1					
10	3	24311-000070	O-RING, 1AP7.0	1					
11	3	26023-040202	SCREW, M4X20	2					
12	2	129938-77810	LEVER, SENSOR	1					
13	2	26106-060122	BOLT, M6X 12 PLATED	2					

Parts No. Index

Parts No.	Fig. No.	Ref. No.	Parts No.	Fig. No.	Ref. No.	Parts No.	Fig. No.	Ref. No.	Parts No.	Fig. No.	Ref. No.
129907-03011	4	56	129927-51670	14	125	129968-01670	3	4	129973-75050	20	1
129907-03061	4	57	129927-59550	17	4	129968-21580	9	14	129980-49530	13	20
129907-03070	4	58	129927-75900	20	19	129968-49610	13	36	144626-51090	14	10
129907-11100	4	15	129927-77600	20	11	129968-49620	13	40	158552-51571	14	56
129907-11110	4	16			20	129968-49850	13	44	158552-51580	14	59
129907-11120	4	17	129927-77680	20	12	129972-01731	3	15	158552-51670	14	126
129907-11250	4	36			21	129972-03200	4	75	158552-51781	14	98
129907-11260	4	37	129928-11700	4	6	129972-03210	4	76	158552-52100	14	128
129907-11270	4	38	129928-13410	6	8	129972-03220	4	77	158552-52310	14	106
129907-11341	4	35			9	129972-03280	4	80	158552-52400	14	107
129907-11510	4	21			21	129972-03310	4	81	158552-52500	14	129
129907-11650	4	40	129928-13700	5	6	129972-33140	11	6	158553-51670	14	64
129907-11660	4	44	129928-22080	9	17	129973-03030	4	71	158553-51680	14	76
129907-11800	4	28	129928-51390	14	22	129973-07901	4	1	158553-61780	15	23
129907-11910	4	31	129928-53000	16	2	129973-07910	4	2	158557-51570	14	57
129907-11920	4	48	129930-39050	12	23	129973-11320	4	55	158557-61720	15	22
129907-11950	4	32	129933-01500	2	3	129973-12100	5	3	158563-51150	7	17
129907-12110	5	1	129933-11310	4	61	129973-12110	5	4		14	13
	21	17			21		21	18	158563-51281	14	20
129907-14400	7	2	129935-18010	8	1	129973-12160	5	2		21	
129907-25900	7	16	129938-77800	22	2	129973-12200	5	5	158563-51330	14	32
129907-49630	11	10	129938-77810	22	12	129973-12850	5	15	158600-51270	14	19
129907-49650	11	12	129942-21000	9	1	129973-13101	6	2	158601-51550	14	54
129907-51560	14	55	129951-01740	2	16	129973-13150	6	1	158601-51650	14	124
129907-59140	17	1	129953-25300	7	15	129973-13400	6	7	158601-51770	14	97
129908-14590	7	3	129956-01640	3	19	129973-13800	6	12	158601-51790	14	99
129908-32060	2	4	129956-01700	3	10	129973-13801	6	12 -1	171008-77450	18	6
129908-39410	12	35	129956-01710	1	5	129973-13810	6	14	171008-77730	18	21
129908-39690	12	31	129956-28009	10	2	129973-13811	6	14 -1	171008-77740	18	22
	21	34	129956-28019	10	6	129973-13820	6	20	171008-77750	18	25
129916-01800	2	25	129956-28030	10	2 -1	129973-13840	6	21	171051-01921	1	6
129916-21610	9	9	129956-28040	10	6 -1	129973-18200	5	12	185100-50070	22	6
129920-01732	3	11	129956-28101	10	10	129973-21670	9	11	194990-22130	22	3
129920-35080	11	21	129956-28111	10	11	129973-39450	12	2	198461-52950	22	1
129927-13810	6	13	129956-28180	10	12	129973-39610	12	27	22190-060003	3	5
		19	129956-28321	9	7	129973-39640	12	30		21	9
		21	129956-28332	10	13	129973-39650	12	28			
129927-13900	6	25	129956-28341	10	14	129973-49100	13	47	22190-080002	12	8
129927-13910	6	26	129956-33011	11	1	129973-49110	13	47 B			10 -1
	21	24	129956-33101	11	3	129973-49400	13	18			19
129927-13920	6	27	129956-33110	11	4	129973-49640	13	48			21
	21	25	129956-33120	11	5	129973-49680	13	49			25
129927-22050	9	19	129956-34810	11	18	129973-49740	13	50		17	9
129927-39060	12	14	129956-49172	11	8	129973-49780	13	53		21	32
129927-42000	13	1	129957-33050	11	2	129973-49810	13	16	22190-120002	13	26
129927-42140	2	7 A			24	129973-59700	16	31		14	101
129927-44900	13	17	129960-03990	13	46	129973-59810	16	35			108
129927-51250	14	137			51	129973-59820	16	36			131
129927-51650	14	121	129960-21640	9	10	129973-59830	16	37		21	38
129927-51660	14	122	129968-01650	3	2	129973-59840	16	38	22190-160002	3	14

Parts No. Index

Parts No.	Fig. No.	Ref. No.
22190-160002	21	10
22190-180002	14	102
22217-050000	14	132
22217-180000	7	18
	14	109
22252-000300	9	24
22312-050140	14	110
22351-030010	12	42
22351-050010	14	111
22351-060012	1	11
22512-070140	7	7
	9	40
22857-500100	4	64
22857-500120	4	65
22877-500080	20	14
		23
23000-022000	4	82
23000-025000	11	13
	12	32
23000-054000	5	14
23065-160500	4	83
23080-012000	13	39
		43
23414-080000	13	31
	21	40
23414-100000	12	11
	21	33
23414-120000	15	24
23857-030000	12	9
		20
23875-030000	13	27
23876-005000	10	15
23876-020000	4	12
23876-030000	1	12
		13
	4	13
		66
		84
	6	15
23887-120002	14	103
	15	25
24311-000070	2	8
	14	112
	21	5
	22	10
24311-000120	4	33
		69
	21	15
24311-000160	17	16
24311-000200	10	17

Parts No.	Fig. No.	Ref. No.
24311-000200	21	29
24311-000320	2	15
	4	70
	21	7
24314-000200	11	14
		25
	21	30
24321-000600	11	15
		26
	21	31
24321-000650	17	17
24321-000850	2	21
	21	8
24341-000480	15	26
24341-000530	9	12
	21	28
24351-030750	2	9
	21	6
24356-010200	14	67
		113
24356-020210	14	114
24372-000150	14	68
26014-080252	19	2
26023-040202	22	11
26106-060102	14	115
26106-060122	3	6
	4	67
	14	133
	22	13
26106-060142	5	7
	11	16
26106-060162	12	33
26106-060182	5	8
26106-060202	13	28
26106-060252	15	27
26106-060302	13	12
26106-060352	14	116
26106-060552	13	29
26106-080122	3	18
	12	12
		22
		34
	13	15
		32
		54
26106-080142	4	85
	11	22
	13	45
26106-080162	2	10
		29

Parts No.	Fig. No.	Ref. No.
26106-080162	6	22
		23
	7	8
	10	16
26106-080202	2	11
		17
	4	3
		4
	11	23
	14	138
26106-080222	6	16
26106-080252	15	28
26106-080302	3	22
	14	139
26106-080402	2	30
	4	50
	5	19
26106-080452	2	12
		18
26106-080552	5	10
	7	14
	13	13
26106-080602	4	51
		52
	10	18
	13	33
26106-080652	6	17
26106-080702	5	20
26106-080752	2	19
26106-080852	5	11
26106-100162	5	9
26106-100202	2	22
26106-100302	6	24
26106-100402	6	28
26106-101052	6	29
26116-050102	4	79
26116-120302	18	26
26206-100352	3	8
26206-100702	3	9
26216-060202	16	33
26216-100302	2	5
26226-080222	4	49
26306-080002	4	53
	6	18
	8	3
26306-100002	2	13
	19	15
26366-060002	16	39
26450-100452	14	117
26716-050002	14	134

Parts No.	Fig. No.	Ref. No.
26776-180002	7	19
	14	118
27241-160000	14	135
27241-300000	1	14
27241-400000	4	14
27310-070001	4	26
729900-02801	1	31
729907-01559	2	23
729927-22950	9	36
729928-22900	9	34
729928-53100	16	1
729973-01560	1	1
729973-51330	14	1
729973-92610	21	1
977770-1207F	21	44
X2114155110	18	3
X2114255110	18	4
X2130631300	18	10