

0CD50-M05770EN

P R E F A C E

This parts catalog is the 1st edition of 4TNV98T-ZGGM.

Published : February, 2020

Contents

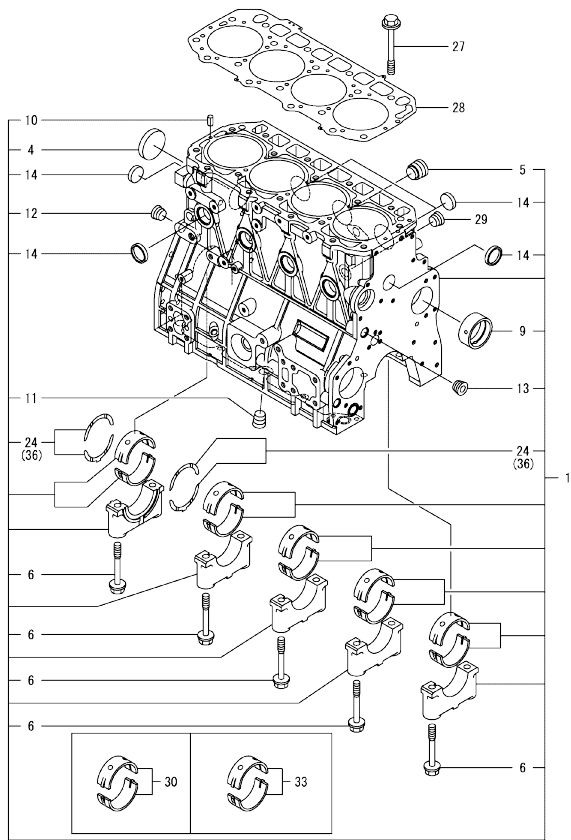
0CD50-M05770

Fig. No.	Fig. Name	Fig. No.	Fig. Name
ENGINE			
1.	CYLINDER BLOCK		
2.	GEAR HOUSING		
3.	FLYWHEEL HOUSING & OIL SUMP		
4.	CYLINDER HEAD & BONNET		
5.	SUCTION MANIFOLD		
6.	EXHAUST MANIFOLD		
7.	CAMSHAFT & DRIVING GEAR		
8.	TURBINE		
9.	CRANKSHAFT & PISTON		
10.	LUB. OIL SYSTEM		
11.	LUB. OIL PIPE		
12.	COOLING WATER SYSTEM		
13.	FUEL INJECTION PUMP		
14.	GOVERNOR		
15.	FUEL INJECTION VALVE		
16.	FUEL PIPE		
17.	STARTER MOTOR		
18.	GENERATOR		
19.	ELECTRONIC CONTROL UNIT(ECU)		
20.	ACCESSORY		
21.	GASKET SET		

Fig.1. CYLINDER BLOCK

(A)=4TNV98T-ZGGM
(B)=
(C)=

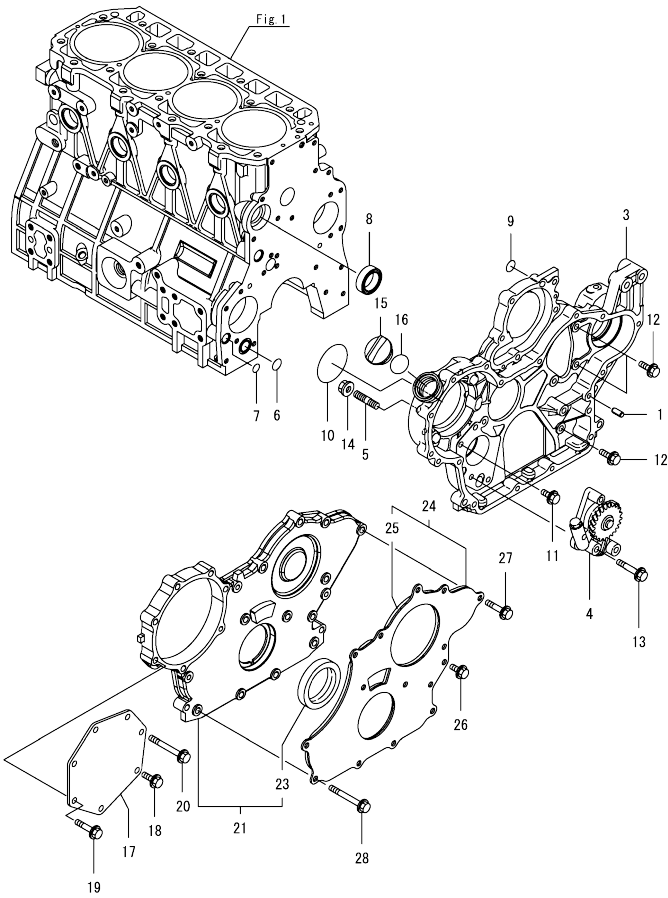
(D)=
(E)=
(F)=



No.	Lev.	Parts No.	Description	Q'ty						I	R
				(A)	(B)	(C)	(D)	(E)	(F)		
1	1	729928-01560	BLOCK ASSY, CYLINDER	1							
4	2	129900-01250	PLUG, 55	1							
5	2	171051-01921	PLUG, NPTF1	1							
6	2	129900-02020	BOLT, METAL CAP	10							
9	2	129900-02410	BUSH, CAMSHAFT	1							
10	2	22351-060012	PIN, SPRING 6.0X12	2							
11	2	23876-030000	PLUG, R03	1							
12	2	23876-030000	PLUG, R03	1							
13	2	23876-030000	PLUG, R03	1							
14	2	27241-300000	PLUG 30	8							
24	2	129927-02930	BEARING ASSY, THRUST	2							
27	1	129900-01200	BOLT, CYLINDER HEAD	18							
28	1	129907-01331	GASKET, HEAD	1							
29	1	23876-030000	PLUG, R03	1							
30	1	729927-02800	BEARING ASSY, MAIN	5							1
33	1	129927-02340	BEARING ASSY, MAIN US	5							2
36	1	129927-02940	BEARING, THRUST 0.25OS	2							3

Remarks
(1) Spare parts.
(2) Under-sized (U.S.=0.25) parts.
(3) Over-sized (O.S.=0.25) parts.

Fig.2. GEAR HOUSING

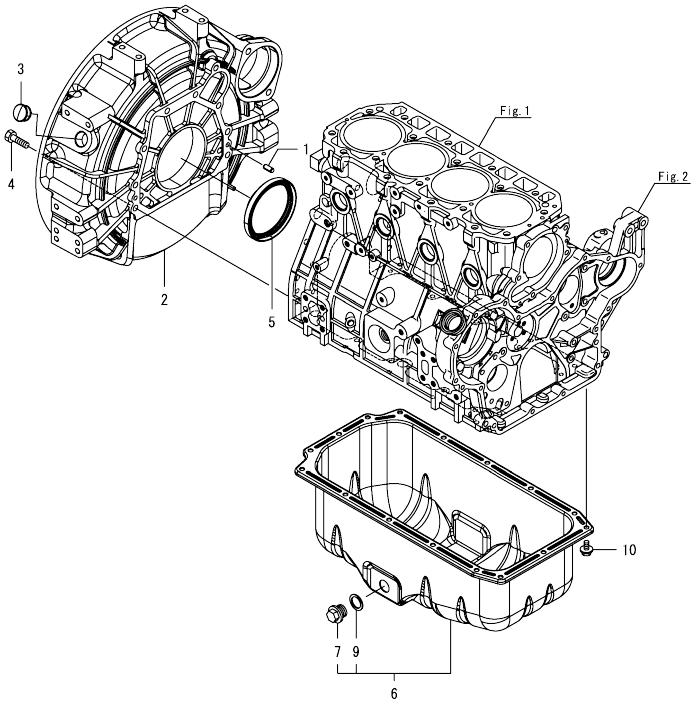


(A)=4TNV98T-ZGGM
(B)=
(C)=

(D)=
(E)=
(F)=

No.	Lev.	Parts No.	Description	Qty						I	R
				(A)	(B)	(C)	(D)	(E)	(F)		
1	1	129100-01580	PIN, PARALLEL 8X16	4							
3	1	129935-01500	CASE, GEAR	1							
4	1	129908-32060	PUMP ASSY, OIL	1							
5	1	26216-100302	STUD, M10X 30	4							
6	1	129900-32030	O-RING, P20	1							
7	1	129900-32040	O-RING, P14	1							
8	1	129927-42140	GASKET, PUMP OUTLET	1							
9	1	24311-000070	O-RING, 1AP7.0	1							
10	1	24351-030750	O-RING, 1A3075	1							
11	1	26106-080162	BOLT, M8X 16 PLATED	1							
12	1	26106-080202	BOLT, M8X 20 PLATED	3							
13	1	26106-080452	BOLT, M8X 45 PLATED	3							
14	1	26306-100002	NUT, M10	4							
15	1	124160-01751	CAP, FILLER	1							
16	1	24311-000320	O-RING, 1AP32.0	1							
17	1	129951-01740	COVER, PUMP TIMING	1							
18	1	26106-080202	BOLT, M8X 20 PLATED	1							
19	1	26106-080452	BOLT, M8X 45 PLATED	5							
20	1	26106-080752	BOLT, M8X 75 PLATED	1							
21	1	729907-01559	COVER ASSY, CASE	1							
23	2	129916-01800	SEAL, OIL	1							
24	1	129900-01850	COVER ASSY, CASE	1							
25	2	129900-01870	SPONGE, COVER	1							
26	1	26106-080162	BOLT, M8X 16 PLATED	3							
27	1	26106-080402	BOLT, M8X 40 PLATED	5							
28	1	26106-080702	BOLT, M8X 70 PLATED	6							

Fig.3. FLYWHEEL HOUSING & OIL SUMP

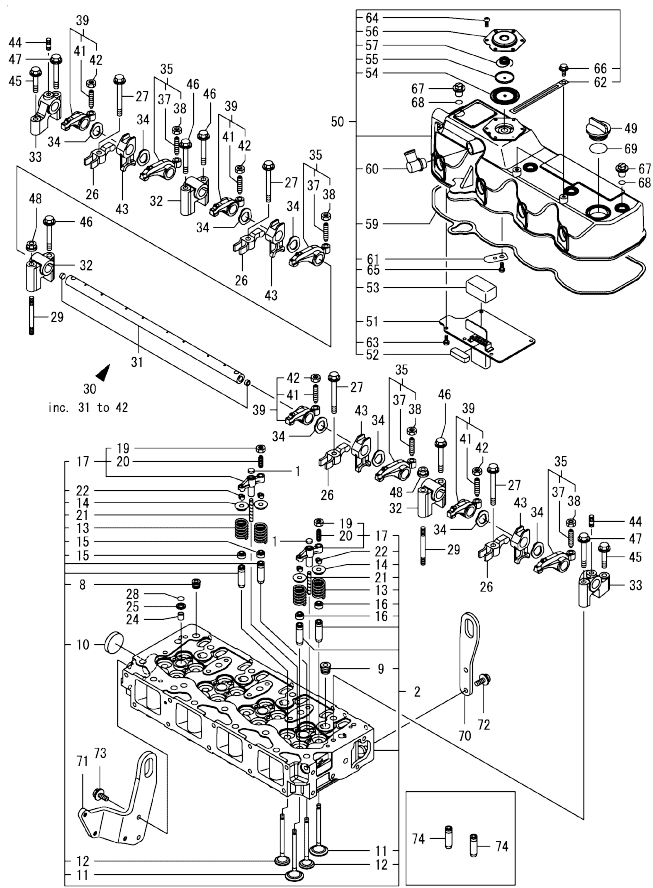


(A)=4TNV98T-ZGGM
(B)=
(C)=

(D)=
(E)=
(F)=

No.	Lev.	Parts No.	Description	Q'ty					
				(A)	(B)	(C)	(D)	(E)	(F)
1	1	129100-01580	PIN, PARALLEL 8X16	2					
2	1	129915-01610	HOUSING, FLYWHEEL	1					
3	1	119000-01840	PLUG, RUBBER Z5	1					
4	1	26206-100352	BOLT, M10X 35 PLATED	9					
5	1	124411-01780	SEAL, HTC95X115X12	1					
6	1	129982-01710	OIL PAN ASSY	1					
7	2	119640-01640	PLUG, DRAIN M22	1					
9	2	22190-220002	WASHER, SEAL 22	1					
10	1	26106-080122	BOLT, M8X 12 PLATED	16					

Fig.4. CYLINDER HEAD & BONNET



(A)=4TNV98T-ZGGM
(B)=
(C)=

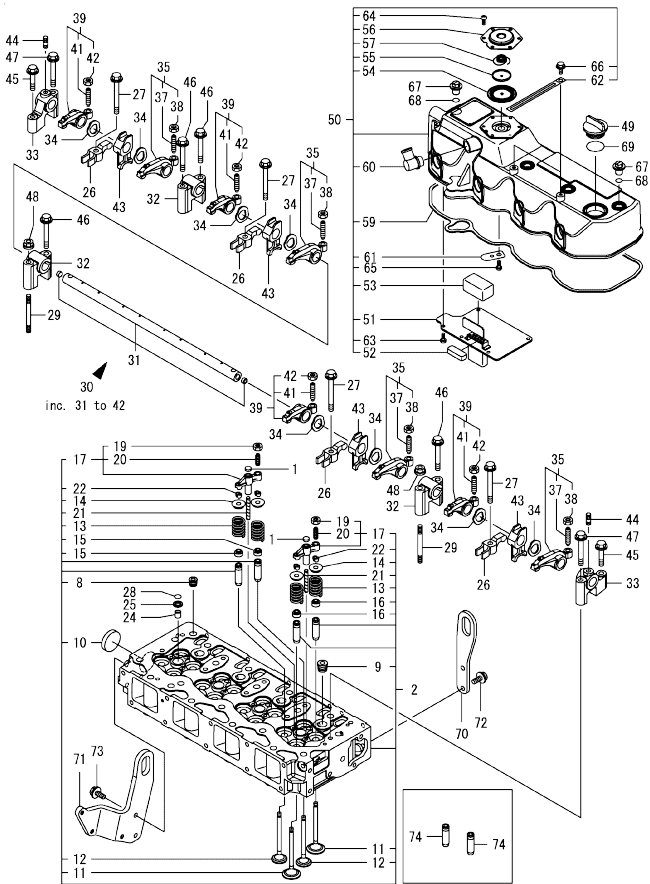
(D)=
(E)=
(F)=

No.	Lev.	Parts No.	Description	Q'ty						I	R
				(A)	(B)	(C)	(D)	(E)	(F)		
1	1	123907-11550	SEAT, VALVE BRIDGE	8							
2	1	129928-11700	HEAD ASSY, CYLINDER	1							
8	2	23876-020000	PLUG, R02	1							
9	2	23876-030000	PLUG, R03	4							
10	2	27241-400000	PLUG, 40	1							
11	2	129907-11100	VALVE, INTAKE	8							
12	2	129907-11110	VALVE, EXHAUST	8							
13	2	129907-11120	SPRING, VALVE	16							
14	2	119620-11180	RETAINER, SPRING	16							
15	2	119803-11340	SEAL, VALVE STEM	8							
16	2	124160-11340	SEAL, VALVE STEM	8							
17	2	129907-11510	BRIDGE ASSY, VALVE	8							
19	3	129150-11750	NUT, M8XP1.0	8							
20	3	123907-11830	ADJUSTER, BRIDGE	8							
21	2	123907-11820	GUIDE, BRIDGE	8							
22	2	27310-070001	COTTER, 7	16							
24	1	119802-11870	PROTECTOR, NOZZLE	4							
25	1	119625-11880	SEAT, NOZZLE	4							
26	1	129907-11960	RETAINER, NOZZLE	4							
27	1	129907-11950	BOLT, VALVE HOLDER	4							
28	1	24311-000120	O-RING, 1AP12.0	4							
29	1	119593-11301	STUD, M8X80	2							
30	1	129907-11341	SUPPORT ASSY, ROCKER	1							
31	2	129907-11250	SHAFT, ROCKER ARM	1							
32	2	129907-11260	SUPPORT, ROCKER A	3							
33	2	129907-11270	SUPPORT, ROCKER B	2							
34	2	123907-11280	WASHER, WAVE	8							
35	2	129907-11650	ARM ASSY, ROCKER INT	4							
37	3	129150-11230	SCREW, VALVE ADJUST	4							
38	3	129150-11750	NUT, M8XP1.0	4							
39	2	129907-11660	ARM ASSY, ROCKER EXH	4							
41	3	129150-11230	SCREW, VALVE ADJUST	4							
42	3	129150-11750	NUT, M8XP1.0	4							
43	2	129907-11920	RETAINER, NOZZLE	4							
44	2	26226-080222	STUD, M8X 22	2							
45	1	26106-080402	BOLT, M8X 40 PLATED	2							
46	1	26106-080602	BOLT, M8X 60 PLATED	4							
47	1	26106-080602	BOLT, M8X 60 PLATED	2							
48	1	26306-080002	NUT, M8	2							
49	1	124160-01751	CAP, FILLER	1							
50	1	129945-11320	BONNET ASSY, HEAD	1							
51	2	129907-03011	PLATE, BAFFLE	1							
52	2	129907-03061	BAFFLE, BREATHER	1							
53	2	129907-03070	BAFFLE, BREATHER	1							
54	2	123907-03100	DIAPHRAGM, BREATHER	1							
55	2	123907-03110	PLATE, CENTER	1							
56	2	123907-03120	PLATE, BREATHER	1							
57	2	123907-03140	SPRING, DIAPHRAGM	1							
59	2	129933-11310	GASKET, BONNET	1							
60	2	119100-11330	ELBOW, BREATHER	1							
61	2	129009-11340	SPRING, PLATE	1							

Remarks
(1)Spare parts.

N:Old $\frac{New}{Old}$ New, Q:Old $\frac{New}{Old}$ New, R:Old $\frac{New}{Old}$ New, S:Old $\frac{New}{Old}$ New, W:Add, Z:Discontinued, F:Interchangeable by set, K:Qty Change
++ CONTINUE ++ Copyright (C) 2020 YANMAR GLOBAL CS CO., LTD. All Rights Reserved.

Fig.4. CYLINDER HEAD & BONNET



(A)=4TNV98T-ZGGM
(B)=
(C)=

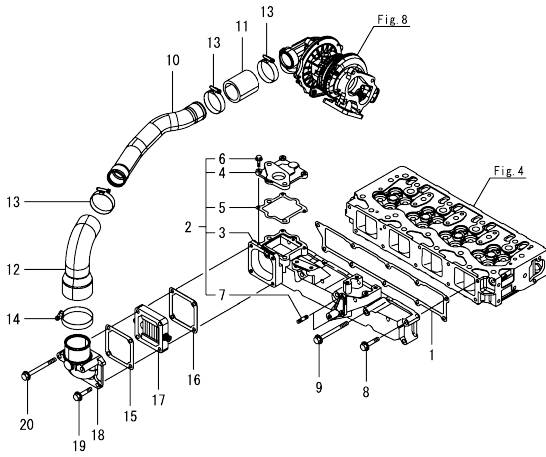
(D)=
(E)=
(F)=

No.	Lev.	Parts No.	Description	Qty						I	R
				(A)	(B)	(C)	(D)	(E)	(F)		
62	2	129509-79700	CLAMP, 140-M6	2							
63	2	22857-500100	SCREW, 5X10	6							
64	2	22857-500100	SCREW, 5X10	6							
65	2	22857-500100	SCREW, 5X10	1							
66	2	26106-060122	BOLT, M6X 12 PLATED	2							
67	1	124160-11360	KNOB, BONNET	4							
68	1	24311-000120	O-RING, 1AP12.0	4							
69	1	24311-000320	O-RING, 1AP32.0	1							
70	1	129907-07900	LIFTER, ENGINE	1							
71	1	129948-07900	LIFTER, ENGINE	1							
72	1	26106-080162	BOLT, M8X 16 PLATED	2							
73	1	26106-080202	BOLT, M8X 20 PLATED	2							
74	1	129907-11800	GUIDE, VALVE	16							1

Remarks

(1)Spare parts.

Fig.5. SUCTION MANIFOLD

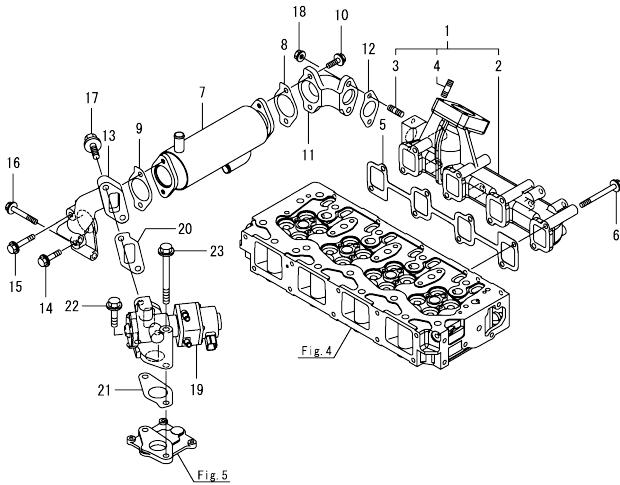


(A)=4TNV98T-ZGGM
(B)=
(C)=

(D)=
(E)=
(F)=

No.	Lev.	Parts No.	Description	Q'ty						I	R
				(A)	(B)	(C)	(D)	(E)	(F)		
1	1	129907-12110	GASKET, MANIFOLD	1							
2	1	129945-12150	MANIFOLD ASSY,INTAKE	1							
3	2	129928-12100	MANIFOLD, INTAKE	1							
4	2	129928-13710	SPACER, EGR VALVE	1							
5	2	129928-13720	GASKET, EGR-V SPACER	1							
6	2	26106-060202	BOLT, M6X 20 PLATED	3							
7	2	26216-060202	STUD, M6X 20	2							
8	1	26106-080452	BOLT, M8X 45 PLATED	6							
9	1	26106-080802	BOLT, M8X 80 PLATED	4							
10	1	129928-18200	DUCT, AIR	1							
11	1	129945-18210	JOINT, RUBBER	1							
12	1	129945-18220	JOINT, RUBBER	1							
13	1	23000-054000	CLAMP, 54	3							
14	1	23000-070000	CLAMP, 70	1							
15	1	119129-77020	GASKET, AIR HEATER	1							
16	1	121850-77021	GASKET, AIR HEATER	1							
17	1	119005-77051	HEATER, AIR	1							
18	1	119129-77520	BEND, INLET	1							
19	1	26106-080402	BOLT, M8X 40 PLATED	2							
20	1	26106-080902	BOLT, M8X 90 PLATED	2							

Fig.6. EXHAUST MANIFOLD

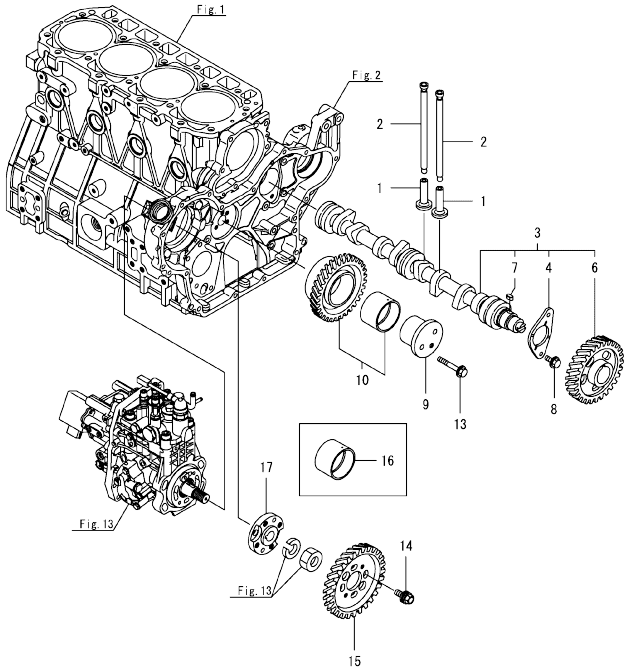


(A)=4TNV98T-ZGGM
(B)=
(C)=

(D)=
(E)=
(F)=

No.	Lev.	Parts No.	Description	Q'ty						I	R
				(A)	(B)	(C)	(D)	(E)	(F)		
1	1	129928-13150	MANIFOLD ASSY	1							
2	2	129928-13100	MANIFOLD, EXHAUST	1							
3	2	129418-18320	STUD, M8X20	2							
4	2	129418-18320	STUD, M8X20	4							
5	1	129900-13251	GASKET, MANIFOLD	1							
6	1	129E00-13640	BOLT, M8X80 10.9T	8							
7	1	129928-13400	COOLER ASSY, EGR	1							
8	1	129928-13410	GASKET, EGR COOLER	1							
9	1	129928-13410	GASKET, EGR COOLER	1							
10	1	119802-13791	BOLT, M8X25 10.9T	2							
11	1	129948-13800	PIPE, EGR INLET	1							
12	1	129927-13810	GASKET, EGR PIPE	1							
13	1	129948-13810	PIPE, EGR INLET	1							
14	1	26106-080352	BOLT, M8X 35 PLATED	1							
15	1	26106-080452	BOLT, M8X 45 PLATED	1							
16	1	26106-080552	BOLT, M8X 55 PLATED	2							
17	1	26106-100252	BOLT, M10X 25 PLATED	2							
18	1	26306-080002	NUT, M8	2							
19	1	129928-13900	VALVE, EGR	1							
20	1	129927-13910	GASKET, EGR	1							
21	1	129927-13920	GASKET, EGR	1							
22	1	26106-100402	BOLT, M10X 40 PLATED	1							
23	1	26106-101052	BOLT, M10X105 PLATED	1							

Fig.7. CAMSHAFT & DRIVING GEAR



(A)=4TNV98T-ZGGM
(B)=
(C)=

(D)=
(E)=
(F)=

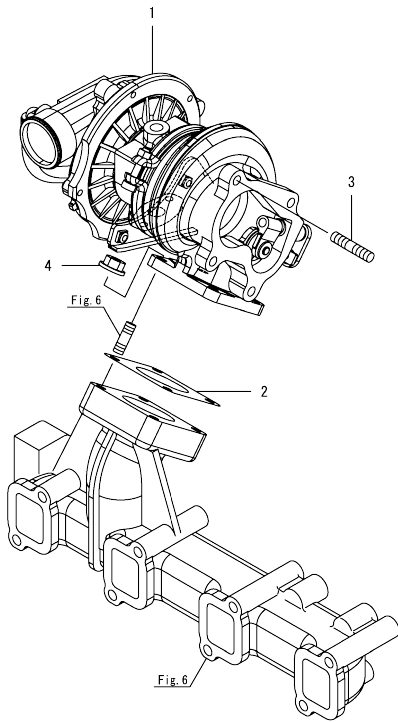
No.	Lev.	Parts No.	Description	Q'ty						I	R
				(A)	(B)	(C)	(D)	(E)	(F)		
1	1	129150-14200	TAPPET	8							
2	1	129907-14400	ROD, PUSH	8							
3	1	129908-14581	CAMSHAFT ASSY	1							
4	2	129150-02450	METAL, THRUST	1							
6	2	129900-14100	GEAR, CAMSHAFT	1							
7	2	22512-070140	KEY, 7X 14	1							
8	1	26106-080142	BOLT, M8X 14 PLATED	2							
9	1	123900-25060	SHAFT, IDLE GEAR	1							
10	1	129927-25100	GEAR ASSY, IDLE	1							
13	1	26106-080552	BOLT, M8X 55 PLATED	3							
14	1	129953-25300	BOLT, PUMP BODY	4							
15	1	129907-25900	GEAR, PUMP	1							
16	1	129927-25920	BUSH, IDLE GEAR	1							1
17	1	158563-51150	FLANGE	1							

Remarks

(1)Spare parts.

OCD50-M05770 ENGINE
 Fig.8. TURBINE

OCD50-M05770 Fig.8

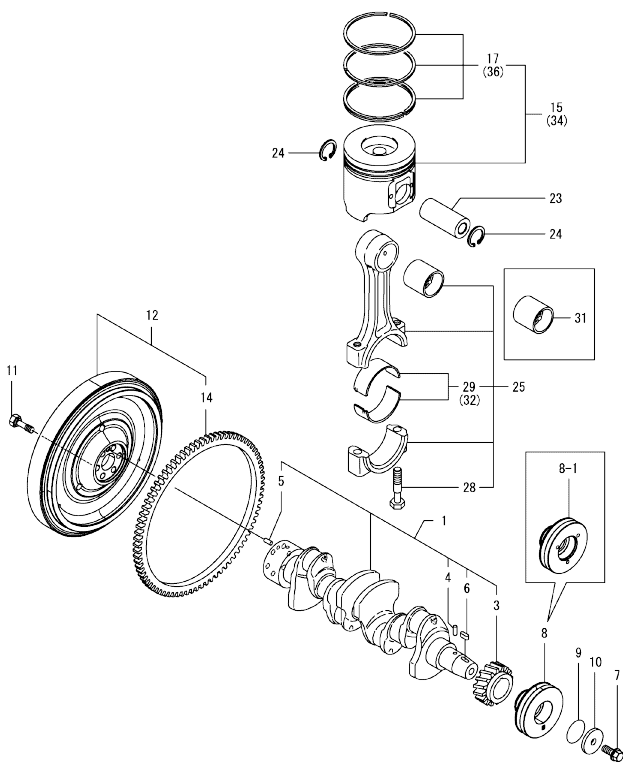


(A)=4TNV98T-ZGGM
 (B)=
 (C)=

(D)=
 (E)=
 (F)=

No.	Lev.	Parts No.	Description	Q'ty						I	R
				(A)	(B)	(C)	(D)	(E)	(F)		
1	1	129945-18011	TURBOCHARGER, RHF5	1							
2	1	129472-18090	GASKET, TURBINE IN	1							
3	1	119131-18320	STUD, M8X22	4							
4	1	26306-080002	NUT, M8	4							

Fig.9. CRANKSHAFT & PISTON



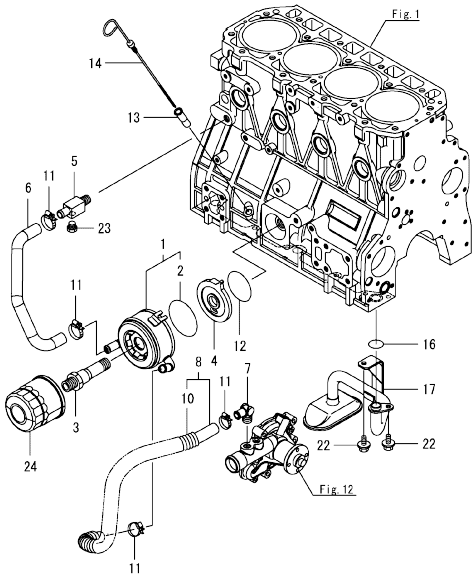
(A)=4TNV98T-ZGGM
(B)=
(C)=

(D)=
(E)=
(F)=

No.	Lev.	Parts No.	Description	Q'ty						I	R
				(A)	(B)	(C)	(D)	(E)	(F)		
1	1	129908-21000	CRANKSHAFT ASSY	1							
3	2	129900-21200	GEAR, CRANKSHAFT	1							
4	2	121850-21290	PIN, CRANK GEAR	1							
5	2	121850-21920	PIN, PARALLEL 10X22	1							
6	2	22512-070140	KEY, 7X 14	1							
7	1	129916-21610	BOLT, V-PULLEY	1							
8	1	129907-21660	V-PULLEY, CRANKSHAFT	1							
8-1	1	129907-21650 (A=E160187)	V-PULLEY, CRANKSHAFT	1							R
9	1	129960-21950	PACKING, WASHER	1							
10	1	129960-21940	WASHER, V-PULLEY	1							
11	1	121850-21130	BOLT, FLYWHEEL	6							
12	1	129920-21580	FLYWHEEL ASSY	1							
14	2	127410-21480	GEAR, RING Z=129	1							
15	1	129928-22080	PISTON ASSY	4							
17	2	129927-22050	RING SET, PISTON	4							
23	1	120130-22301	PIN, PISTON	4							
24	1	22252-000300	RING, 30	8							
25	1	129900-23001	ROD ASSY, CONNECTING	4							
28	2	129900-23200	BOLT, CONNECTING ROD	8							
29	2	129927-23600	BEARING ASSY, PIN	4							
31	1	129900-23911	METAL, PISTON PIN	4							1
32	1	129927-23610	BEARING ASSY, PIN US	4							2
34	1	729928-22900	PISTON ASSY, 0.25 OS	4							3
36	2	729927-22950	RING SET, PISTON .25	4							3

Remarks
(1)Spare parts.
(2)Under-sized(U.S.=0.25) parts.
(3)Over-sized(O.S.=0.25) parts.

Fig.10. LUB. OIL SYSTEM



(A)=4TNV98T-ZGGM
(B)=
(C)=

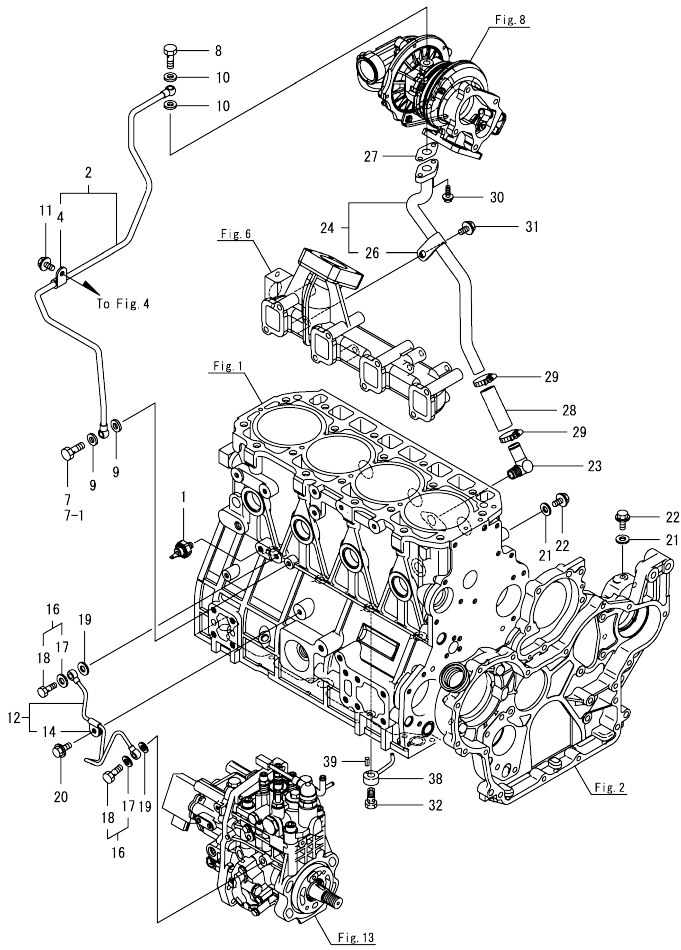
(D)=
(E)=
(F)=

No.	Lev.	Parts No.	Description	Q'ty						I	R
				(A)	(B)	(C)	(D)	(E)	(F)		
1	1	129908-33010	COOLER ASSY, OIL	1							
2	2	123912-33050	O-RING	1							
3	1	123912-33100	BOLT, COOLER	1							
4	1	129908-33101	BRACKET, COOLER	1							
5	1	129006-44480	JOINT, R02	1							
6	1	129908-49060	HOSE, WATER	1							
7	1	129466-49300	ELBOW, PT3/8	1							
8	1	123910-49600	HOSE ASSY WATER	1							
10	2	123910-49610	TUBE, CORRUGATED	1							
11	1	23000-025000	CLAMP, 25	4							
12	1	24321-000600	O-RING, 1AG60.0	1							
13	1	121520-34810	GUIDE, DIPSTICK	1							
14	1	129953-34830	DIPSTICK, OIL	1							
16	1	129900-32030	O-RING, P20	1							
17	1	129953-35000	PIPE ASSY, OIL INLET	1							
22	1	26106-080122	BOLT, M8X 12 PLATED	2							
23	1	171056-49120	PLUG, DRAIN R1/4	1							
24	1	129150-35170	FILTER ASSY, D80X80L	1							1

Remarks

(1)Spare parts.

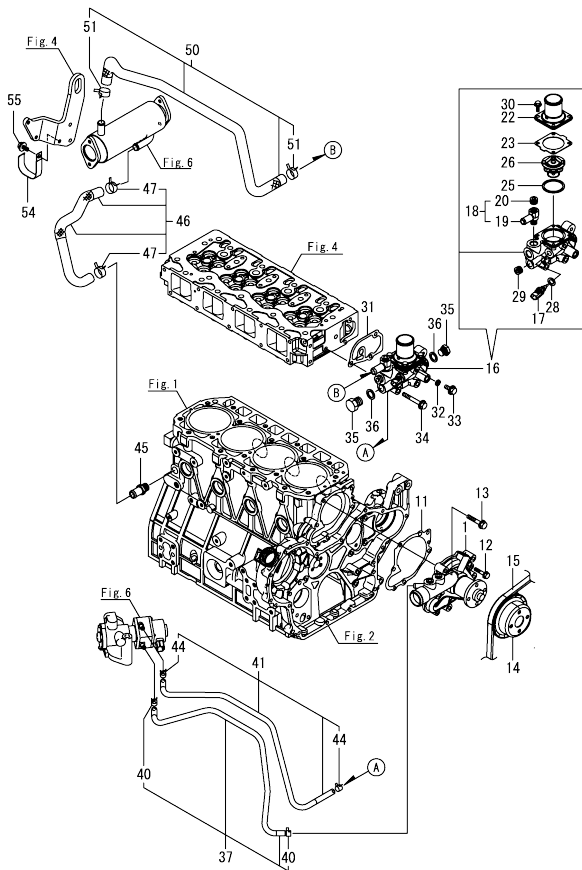
Fig.11. LUB. OIL PIPE



No.	Lev.	Parts No.	Description	Q'ty						I	R
				(A)	(B)	(C)	(D)	(E)	(F)		
1	1	119761-39450	SWITCH, HYDRAULIC	1							
2	1	129935-39040	PIPE ASSY, OIL	1							
4	2	124223-39900	RETAINER	1							
7	1	105010-39140	BOLT, PIPE JOINT M8	1							
7-1	1	129198-59540	BOLT, PIPE JOINT M8	1							S
(A=E167891)											
8	1	121252-39150	BOLT, JOINT M10X1.5	1							
9	1	22190-080002	WASHER, SEAL 8	2							
10	1	23414-100000	GASKET, 10X1.0	2							
11	1	26106-080122	BOLT, M8X 12 PLATED	1							
12	1	129927-39060	PIPE ASSY, OIL	1							
14	2	123907-39500	RETAINER, PIPE	1							
16	1	129005-59830	BOLT ASSY, JOINT M8	2							
17	2	22190-080002	WASHER, SEAL 8	2							
18	2	23857-030000	BOLT, JOINT 3	2							
19	1	22190-080002	WASHER, SEAL 8	2							
20	1	26106-080122	BOLT, M8X 12 PLATED	1							
21	1	22190-080002	WASHER, SEAL 8	2							
22	1	26106-080122	BOLT, M8X 12 PLATED	2							
23	1	124070-13300	ELBOW, PT3/8	1							
24	1	129935-39610	PIPE, OIL RETURN	1							
26	2	123910-39850	RETAINER	1							
27	1	129908-39690	GASKET, RETURN PIPE	1							
28	1	123901-39820	HOSE, OIL RETURN	1							
29	1	23000-025000	CLAMP, 25	2							
30	1	26106-060162	BOLT, M6X 16 PLATED	2							
31	1	26106-080122	BOLT, M8X 12 PLATED	1							
32	1	129908-39410	VALVE ASSY, CHECK	4							
38	1	119000-39650	NOZZLE, COOLING	4							
39	1	22351-030010	PIN, SPRING 3.0X10	4							

N:Old $\frac{100}{100}$ New, Q:Old $\frac{100}{100}$ New, R:Old $\frac{100}{100}$ New, S:Old $\frac{100}{100}$ New, W:Add, Z:Discontinued, F:Interchangeable by set, K:Q'ty Change
 Copyright (C) 2020 YANMAR GLOBAL CS CO., LTD. All Rights Reserved.

Fig.12. COOLING WATER SYSTEM

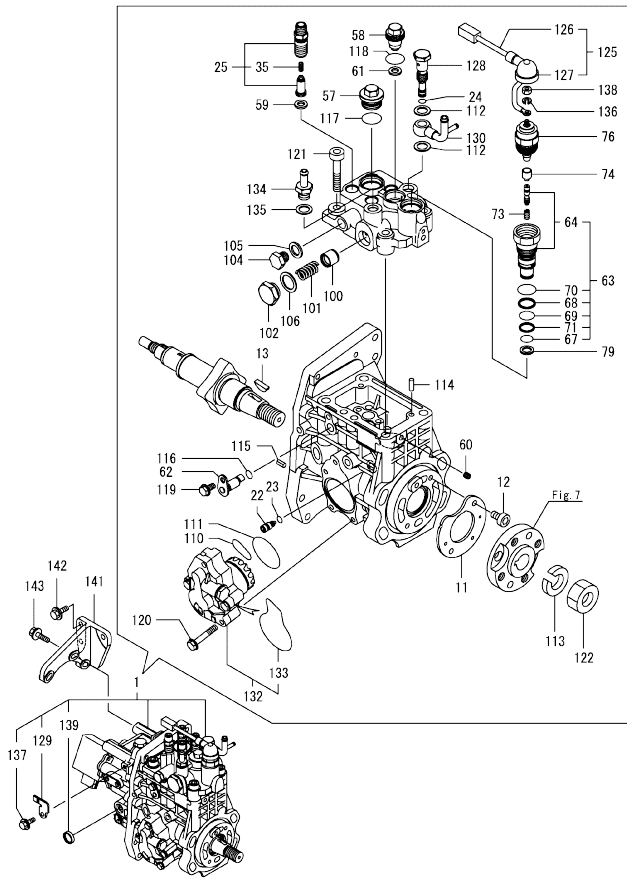


(A)=4TNV98T-ZGGM
(B)=
(C)=

(D)=
(E)=
(F)=

No.	Lev.	Parts No.	Description	Qty						I	R
				(A)	(B)	(C)	(D)	(E)	(F)		
1	1	129927-42002	PUMP ASSY, CW	1							
11	1	129900-42020	GASKET, WATER PUMP	1							
12	1	26106-060302	BOLT, M6X 30 PLATED	2							
13	1	26106-080552	BOLT, M8X 55 PLATED	5							
14	1	129900-42462	V-PULLEY, PUMP	1							
15	1	25132-004100	V-BELT, A41	1							
16	1	129928-49800	CASE ASSY, THERMOSTAT	1							
17	2	129927-44900	SENSOR, TEMPERATURE	1							
18	2	129928-49400	JOINT ASSY	1							
19	3	129928-49410	JOINT	1							
20	3	23875-030000	PLUG, R03	1							
22	2	129916-49530	COVER, THERMOSTAT	1							
23	2	121850-49540	GASKET, THERMOSTAT	1							
25	2	121850-49550	GASKET, THERMOSTAT	1							
26	2	121850-49811	THERMOSTAT, 71C	1							
28	2	22190-120002	WASHER, SEAL 12	1							
29	2	23875-030000	PLUG, R03	1							
30	2	26106-060202	BOLT, M6X 20 PLATED	4							
31	1	129900-49870	GASKET, THERMOSTAT	1							
32	1	23414-080000	GASKET, 8X1.0	1							
33	1	26106-080122	BOLT, M8X 12 PLATED	1							
34	1	26106-080602	BOLT, M8X 60 PLATED	3							
35	1	121450-42450	PLUG, M16	2							
36	1	124465-44950	GASKET, 16	2							
37	1	129927-49610	HOSE ASSY, WATER A	1							
40	2	23080-012000	CLAMP, 12	2							
41	1	129927-49620	HOSE ASSY, WATER B	1							
44	2	23080-012000	CLAMP, 12	2							
45	1	129928-49420	JOINT	1							
46	1	129948-49610	HOSE, COOLER INLET	1							
47	2	129960-03990	CLAMP, HOSE 19.8	2							
50	1	129948-49620	HOSE, COOLER OUTLET	1							
51	2	129960-03990	CLAMP, HOSE 19.8	2							
54	1	129928-79700	CLAMP, 150-M8	1							
55	1	26106-080122	BOLT, M8X 12 PLATED	1							

Fig.13. FUEL INJECTION PUMP



(A)=4TNV98T-ZGGM
(B)=
(C)=

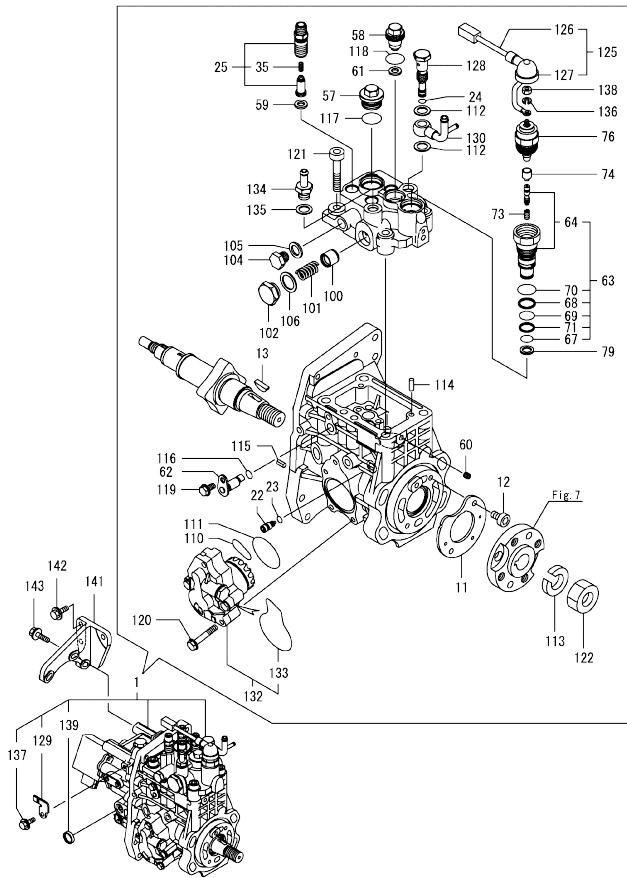
(D)=
(E)=
(F)=

No.	Lev.	Parts No.	Description	Q'ty						I	R	
				(A)	(B)	(C)	(D)	(E)	(F)			
1	1	729945-51390	PUMP ASSY, INJECTION	1							1	
11	2	129928-51900	COVER, OIL	1								
12	2	129008-51920	BOLT, M6X10	2								
13	2	144626-51090	KEY, FEATHER 5X19	1								
22	2	158600-51270	STOPPER, TAPPET	1								
23	2	158563-51281	O-RING, 4D S6	1								
24	2	158563-51281	O-RING, 4D S6	1								
25	2	129928-51390	VALVE ASSY, DELIVERY	4								
35	3	158563-51330	SPRING, DELIVERY	4								
57	2	158601-51550	PLUG, M22	1								
58	2	129907-51560	PLUG, M16	1								
59	2	158552-51571	GASKET, BARREL PLUG	4								
60	2	158557-51570	PLUG, RACK	1								
61	2	129906-51580	GASKET, BARREL PLUG	1								
62	2	158552-51580	LIFTER, LINK	1								
63	2	129657-51590	TIMER ASSY	1								
64	3	129657-51600	TIMER ASSY	1								
67	3	158553-51670	O-RING, PUMP TIMER	1								
68	3	119802-51680	RING, BACKUP	1								
69	3	119802-51690	O-RING, 1016	1								
70	3	24356-190200	O-RING, 4D19020	1								
71	3	24372-000150	RING, BACK UP T2P15	1								
73	2	119852-51630	SPRING, TIMER	1								
74	2	119852-51640	CAP, TIMER	1								
76	2	119852-51650	VALVE ASSY, SOLENOID	1								
79	2	158553-51680	GASKET, TIMER	1								
100	2	158601-51770	PISTON, ACCUMULATOR	1								
101	2	158552-51781	SPRING, ACCUMULATOR	1								
102	2	158601-51790	PLUG, ACCUMULATOR	1								
104	2	158553-51930	PLUG, M12	1								
105	2	22190-120002	WASHER, SEAL 12	1								
106	2	22190-180002	WASHER, SEAL 18	1								
110	2	158552-52311	O-RING, FEED PUMP	1								
111	2	158552-52400	O-RING, 4E S42	1								
112	2	22190-120002	WASHER, SEAL 12	2								
113	2	22217-180000	WASHER, SPRING 18	1								
114	2	22312-050140	PIN, PARALLEL 5X14	2								
115	2	22351-050010	PIN, SPRING 5.0X10	2								
116	2	24311-000070	O-RING, 1AP7.0	1								
117	2	24356-190200	O-RING, 4D19020	1								
118	2	24356-240210	O-RING, 4D24021	1								
119	2	26106-060102	BOLT, M6X 10 PLATED	1								
120	2	26106-060352	BOLT, M6X 35 PLATED	4								
121	2	26450-100452	BOLT, M10X 45	4								
122	2	26776-180002	NUT, LOCK M18	1								
125	2	129927-51650	HARNES ASSY, WIRE	1								
126	3	129927-51660	HARNES	1								
127	3	129263-77941	CAP, RUBBER	1								
128	2	158601-51650	JOINT, OVERFLOW	1								
129	2	129927-51670	BRACKET	1								
130	2	158552-51670	JOINT, OVERFLOW	1								

Remarks

(1)Governor(Fig.14) is incorporated in this Fuel Injection Pump(No.1).

Fig.13. FUEL INJECTION PUMP



(A)=4TNV98T-ZGGM
(B)=
(C)=

(D)=
(E)=
(F)=

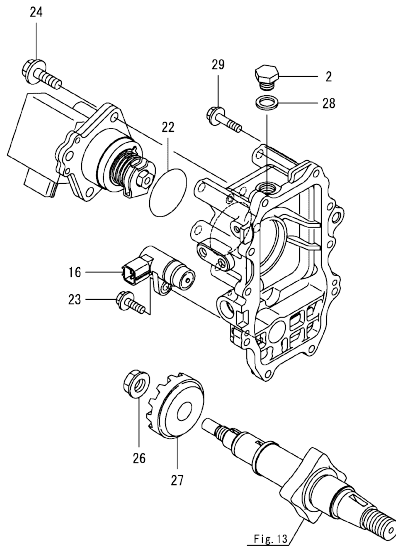
No.	Lev.	Parts No.	Description	Q'ty					
				(A)	(B)	(C)	(D)	(E)	(F)
132	2	158552-52100	PUMP ASSY, FUEL FEED	1					
133	3	158552-52500	O-RING, PUMP INNER	1					
134	2	119934-59910	JOINT, PIPE	1					
135	2	22190-120002	WASHER, SEAL 12	1					
136	2	22217-050000	WASHER, SPRING 5	1					
137	2	26106-060122	BOLT, M6X 12 PLATED	1					
138	2	26716-050002	NUT, M5	1					
139	2	27241-160000	PLUG, 16	1					
141	1	129927-51250	RETAINER, FUEL PUMP	1					
142	1	26106-080202	BOLT, M8X 20 PLATED	3					
143	1	26106-080302	BOLT, M8X 30 PLATED	3					

Remarks

(1)Governor(Fig.14) is incorporated in this Fuel Injection Pump(No.1).

OCD50-M05770 ENGINE
 Fig.14. GOVERNOR

OCD50-M05770 Fig.14



(A)=4TNV98T-ZGGM
 (B)=
 (C)=

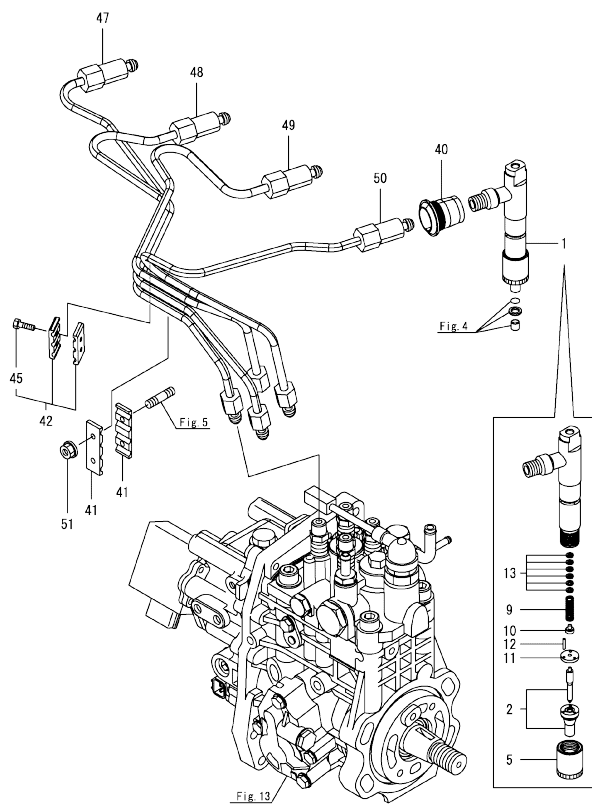
(D)=
 (E)=
 (F)=

No.	Lev.	Parts No.	Description	Q'ty						I	R
				(A)	(B)	(C)	(D)	(E)	(F)		
2	2	158553-51930	PLUG, M12	1							
16	2	158557-61720	SENSOR, ROTATION	1							
22	2	24341-000480	O-RING, 1AS48.0	1							
23	2	26106-060162	BOLT, M6X 16 PLATED	1							
24	2	26106-080252	BOLT, M8X 25 PLATED	3							
26	2	129008-61301	NUT, SUPPORT	1							
27	2	158553-61780	GEAR, SENSOR	1							
28	2	22190-120002	WASHER, SEAL 12	1							
29	2	26106-060252	BOLT, M6X 25 PLATED	10							

Remarks
 * This figure(Governor) is incorporated in the Fuel Injection Pump(Fig.13).

N:Old $\frac{100}{100}$ New, Q:Old $\frac{100}{100}$ New, R:Old $\frac{100}{100}$ New, S:Old $\frac{100}{100}$ New, W:Add, Z:Discontinued, F:Interchangeable by set, K:Q'ty Change
 Copyright (C) 2020 YANMAR GLOBAL CS CO., LTD. All Rights Reserved.

Fig.15. FUEL INJECTION VALVE



(A)=4TNV98T-ZGGM
(B)=
(C)=

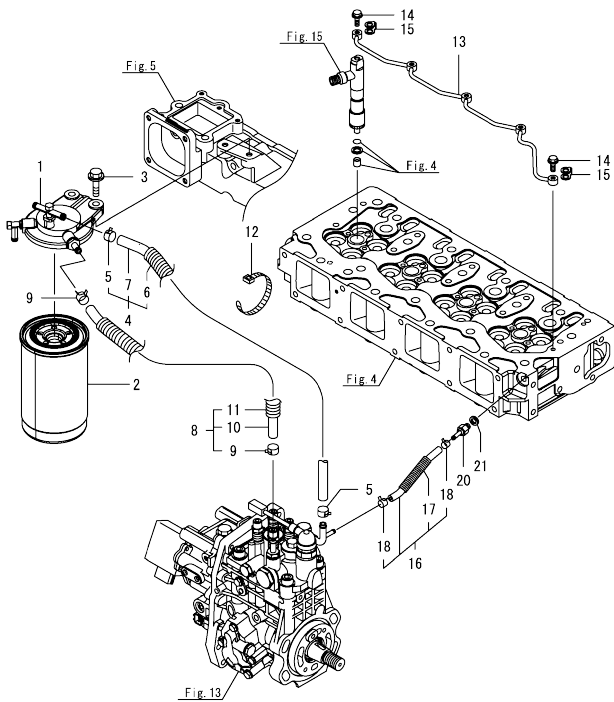
(D)=
(E)=
(F)=

No.	Lev.	Parts No.	Description	Q'ty						I	R
				(A)	(B)	(C)	(D)	(E)	(F)		
1	1	729928-53200	VALVE ASSY,INJECTION	4							
2	2	129509-53000	VALVE ASSY,INJECTION	4							
5	2	114250-53080	NUT, NOZZLE	4							
9	2	114250-53120	SPRING, NOZZLE	4							
10	2	114250-53130	SEAT, SPRING	4							
11	2	114250-53140	SPACER, VALVE STOP	4							
12	2	114250-53210	PIN, POSITIONING	8							
13	2	119803-53400	SHIM SET	4							1
40	1	123907-11601	SEAL, PIPE	4							
41	1	123472-59120	RETAINER, PIPE	2							
42	1	129150-59120	RETAINER, PIPE	1							
45	2	129150-59131	BOLT, M4X14	2							
47	1	129927-59810	PIPE ASSY, INJECTION	1							
48	1	129927-59820	PIPE ASSY, INJECTION	1							
49	1	129927-59830	PIPE ASSY, INJECTION	1							
50	1	129927-59840	PIPE ASSY, INJECTION	1							
51	1	26366-060002	NUT, M6	2							

Remarks

(1)Spare parts.

Fig.16. FUEL PIPE

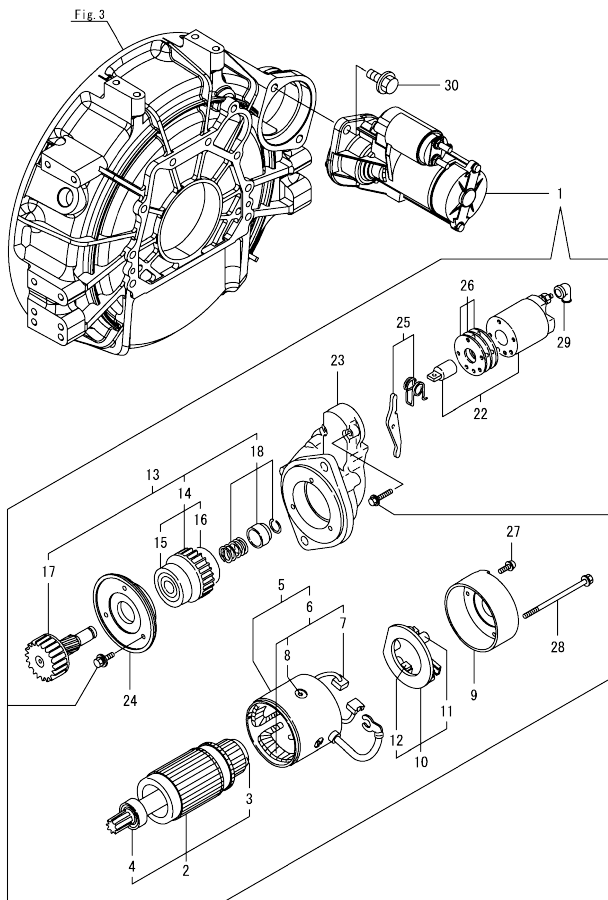


(A)=4TNV98T-ZGGM
(B)=
(C)=

(D)=
(E)=
(F)=

No.	Lev.	Parts No.	Description	Q'ty						I	R
				(A)	(B)	(C)	(D)	(E)	(F)		
1	1	129004-55612	BRACKET, FILTER	1							
2	1	123907-55801	FILTER, FUEL	1							
3	1	26106-080302	BOLT, M8X 30 PLATED	2							
4	1	129457-59010	HOSE ASSY, FUEL	1							
5	2	124766-59050	CLAMP, HOSE 11.5	2							
6	2	129957-59120	TUBE, CORRUGATED 15	1							
7	2	105025-59750	HOSE, FUEL	1							
8	1	129961-59310	HOSE ASSY, FUEL	1							
9	2	124766-59050	CLAMP, HOSE 11.5	2							
10	2	129136-59110	HOSE, D13/7.5X270	1							
11	2	129961-59110	TUBE, CORRUGATED 15	1							
12	1	121750-59890	BAND, NYLON	1							
13	1	129907-59140	PIPE ASSY, RETURN	1							
14	1	123907-59540	BOLT, PIPE JOINT M6	5							
15	1	123907-59550	GASKET, FUEL RETURN	5							
16	1	129927-59550	HOSE ASSY RETURN	1							
17	2	129263-49750	TUBE, CORRUGATED	1							
18	2	124722-59050	CLAMP, HOSE 9	2							
20	1	123907-59560	JOINT, HOSE	1							
21	1	22190-080002	WASHER, SEAL 8	1							

Fig.17. STARTER MOTOR

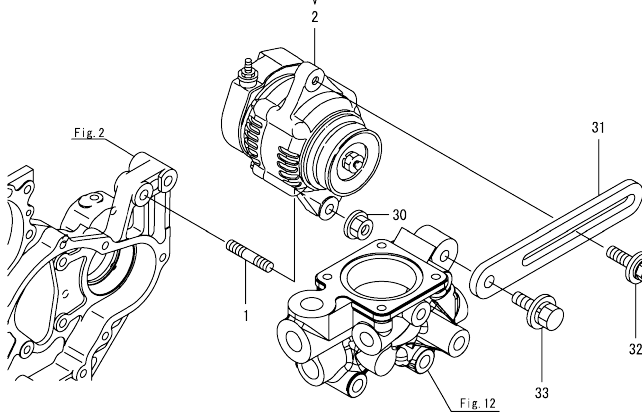
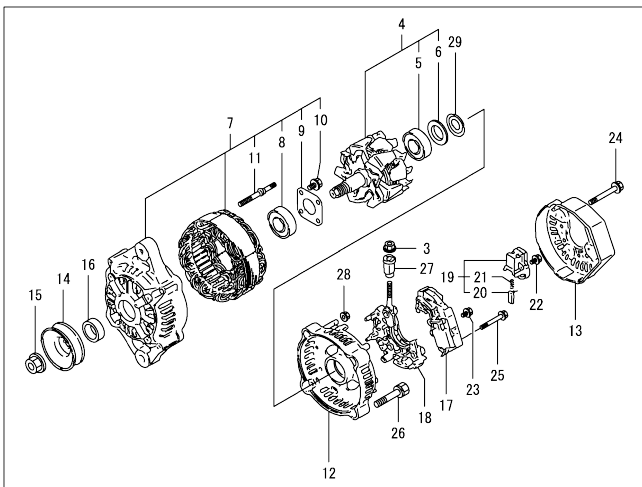


(A)=4TNV98T-ZGGM
(B)=
(C)=

(D)=
(E)=
(F)=

No.	Lev.	Parts No.	Description	Q'ty						I	R
				(A)	(B)	(C)	(D)	(E)	(F)		
1	1	129900-77040	STARTER, 12V 2.3KW	1							
2	2	129900-77120	ARMATURE ASSY	1							
3	3	171008-77410	BEARING, BALL 1	1							
4	3	171008-77420	BEARING, BALL 2	1							
5	2	129900-77130	YOKE ASSY	1							
6	3	129900-77140	COIL ASSY, FIELD	1							
7	4	129900-77450	BRUSH, +	2							
8	4	171008-77450	SCREW, CORE SET	4							
9	2	129900-77150	COVER, REAR	1							
10	2	129900-77160	HOLDER ASSY, BRUSH	1							
11	3	X2130631300	SPRING, BRUSH	4							
12	3	129900-77450	BRUSH, +	2							
13	2	129900-77170	CLUTCH ASSY, PINION	1							
14	3	129900-77180	CLUTCH ASSY	1							
15	4	129900-77190	BEARING, BALL 4	1							
16	4	X2114955020	BEARING, BALL	1							
17	3	129900-77270	SHAFT, PINION	1							
18	3	171008-77670	STOPPER SET, PINION	1							
22	2	129900-77280	SWITCH ASSY, MAGNET	1							
23	2	129900-77290	CASE, GEAR	1							
24	2	129900-77380	RETAINER, BEARING	1							
25	2	129900-77390	LEVER ASSY, SHIFT	1							
26	2	129900-77420	COVER KIT, DUST	1							
27	2	129900-77430	SCREW, M4X10	2							
28	2	129685-77640	BOLT, THROUGH	2							
29	2	171008-77750	COVER, TERMINAL	1							
30	1	26106-120252	BOLT, M12X 25 PLATED	2							

Fig.18. GENERATOR

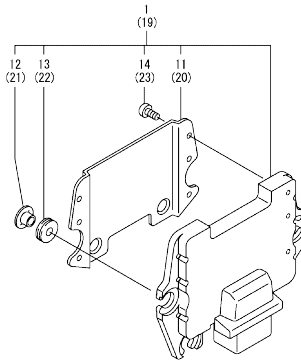


(A)=4TNV98T-ZGGM
(B)=
(C)=

(D)=
(E)=
(F)=

No.	Lev.	Parts No.	Description	Qty						I	R	
				(A)	(B)	(C)	(D)	(E)	(F)			
1	1	129795-01900	BOLT, M10X30	1								
2	1	129423-77210	ALTERNATOR, 12V-40A	1								
3	2	129240-79310	NUT	1								
4	2	119620-77380	ROTOR ASSY	1								
5	3	123501-79240	BEARING, BALL	1								
6	3	119620-79250	COVER, BEARING	1								
7	2	119620-77421	FRAME ASSY, DRIVE	1								
8	3	119620-79200	BEARING, BALL	1								
9	3	119620-79210	PLATE, RETAINER	1								
10	3	119620-79220	SCREW	4								
11	3	119620-79230	STUD	2								
12	2	119620-77440	FRAME ASSY, REAR	1								
13	2	129240-79300	COVER	1								
14	2	119620-77461	PULLEY, GENERATOR	1								
15	2	119620-77471	NUT	1								
16	2	119620-77490	COLLAR	1								
17	2	129423-77730	REGULATOR ASSY	1								
18	2	119620-79260	HOLDER ASSY	1								
19	2	129052-79270	HOLDER ASSY, BRUSH	1								
20	3	119620-77480	BRUSH ASSY, SUB	2								
21	3	119620-79280	SPRING	2								
22	2	119620-79290	SCREW	6								
23	2	119620-79300	SCREW	1								
24	2	119620-79310	BOLT	3								
25	2	119620-79320	SCREW, W/WASHER	2								
26	2	119620-79330	BOLT	2								
27	2	119620-79340	BUSH, INSULATION	1								
28	2	119620-79350	NUT	2								
29	2	119620-79360	WASHER, THRUST	1								
30	1	26306-100002	NUT, M10	1								
31	1	129988-77330	ADJUSTER, BELT	1								
32	1	119810-77340	BOLT, ADJUSTER L=30	1								
33	1	26014-080252	BOLT, M8X 25	1								

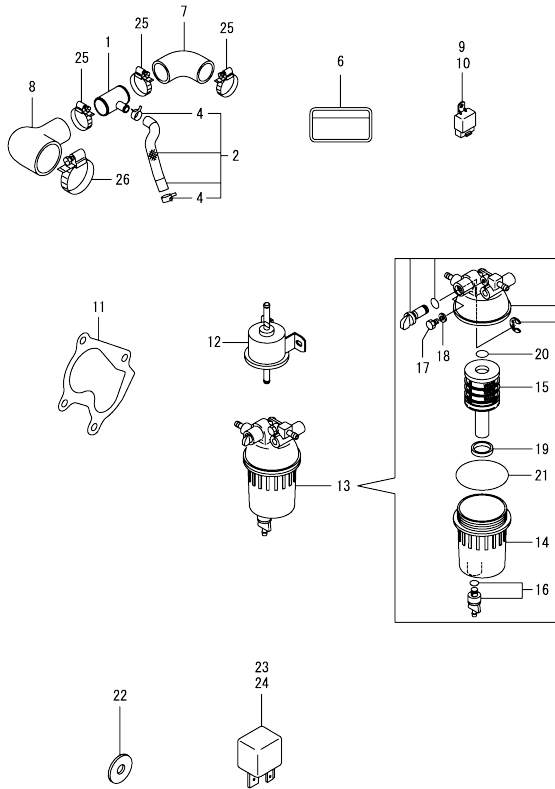
Fig.19. ELECTRONIC CONTROL UNIT(ECU)



No.	Lev.	Parts No.	Description	Q'ty						I	R
				(A)	(B)	(C)	(D)	(E)	(F)		
1	1	129996-75000	ECU ASSY,4V98T-ZGGES	1							1
11	2	129927-77600	SHIELD, ECU	1							
12	2	129927-77680	COLLAR, CONTROLLER	3							
13	2	119578-91351	RUBBER, CONTROLLER	3							
14	2	22877-500080	SCREW, 5X 8	6							
19	1	129927-75901	ECU ASSY, SERVICE	1							2
20	2	129927-77600	SHIELD, ECU	1							
21	2	129927-77680	COLLAR, CONTROLLER	3							
22	2	119578-91351	RUBBER, CONTROLLER	3							
23	2	22877-500080	SCREW, 5X 8	6							

Remarks
 (1)Eco ECU
 This part cannot be ordered.
 Replace the part using a Service ECU with the proper engine information installed.
 (2)Service ECU
 When replacing this part, it is necessary to update the software of the ECU using the designated service tool.
 Please refer to the Service Manual for details.

Fig.20. ACCESSORY

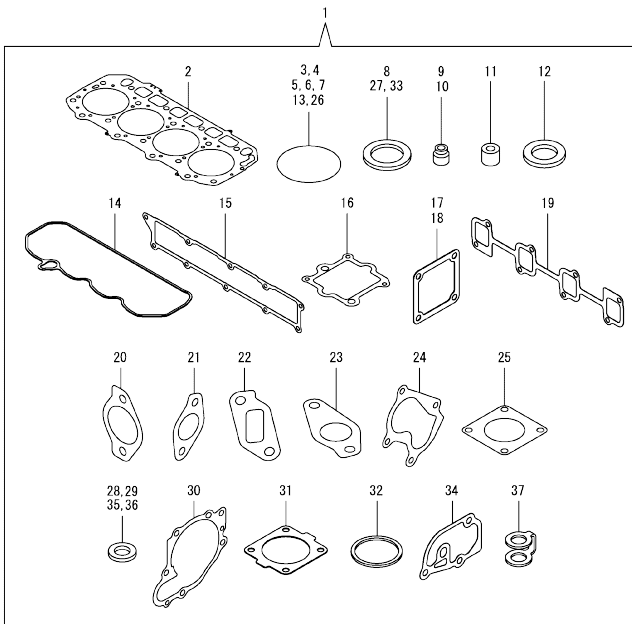


(A)=4TNV98T-ZGGM
(B)=
(C)=

(D)=
(E)=
(F)=

No.	Lev.	Parts No.	Description	Q'ty						I	R
				(A)	(B)	(C)	(D)	(E)	(F)		
1	1	129509-03050	JOINT, BREATHER	1							
2	1	129945-03080	HOSE ASSY, BREATHER	1							
4	2	129410-03990	CLAMP, HOSE 21.5	2							
6	1	114110-07761	LABEL, FUEL CAUTION	1							
7	1	129509-12070	HOSE, AIR INTAKE	1							
8	1	129945-12080	HOSE, AIR INTAKE	1							
9	1	172B02-17150	RELAY, CA TYPE C	1							
10	1	172B02-17150	RELAY, CA TYPE C	1							
11	1	123901-18080	GASKET, TURBINE OUT	1							
12	1	119225-52102	PUMP, FUEL FEED	1							
13	1	129242-55701	SEPARATOR ASSY,WATER	1							
14	2	129242-55720	CUP, SEPARATOR	1							
15	2	129242-55730	ELEMENT, FUEL FILTER	1							
16	2	129242-55740	PLUG, DRAIN	1							
17	2	129242-55750	VALVE, AIR VENT	1							
18	2	129242-55760	GASKET, PLUG	1							
19	2	129242-55770	FLOAT	1							
20	2	24311-000160	O-RING, 1AP16.0	1							
21	2	24321-000750	O-RING, 1AG75.0	1							
22	1	129927-77690	WASHER, ECU	3							
23	1	129927-77920	RELAY, ISO 70A	1							
24	1	129927-77920	RELAY, ISO 70A	1							
25	1	23000-070000	CLAMP, 70	3							
26	1	23000-102000	CLAMP, 102	1							

Fig.21. GASKET SET



(A)=4TNV98T-ZGGM
(B)=
(C)=

(D)=
(E)=
(F)=

No.	Lev.	Parts No.	Description	Qty						I	R	
				(A)	(B)	(C)	(D)	(E)	(F)			
1	1	729928-92690	GASKET SET	1							1	
2	2	129907-01331	GASKET, HEAD	1								
3	2	129900-32030	O-RING, P20	2								
4	2	129900-32040	O-RING, P14	1								
5	2	24311-000070	O-RING, 1AP7.0	1								
6	2	24351-030750	O-RING, 1A3075	1								
7	2	24311-000320	O-RING, 1AP32.0	2								
8	2	22190-220002	WASHER, SEAL 22	1								
9	2	119803-11340	SEAL, VALVE STEM	8								
10	2	124160-11340	SEAL, VALVE STEM	8								
11	2	119802-11870	PROTECTOR, NOZZLE	4								
12	2	119625-11880	SEAT, NOZZLE	4								
13	2	24311-000120	O-RING, 1AP12.0	8								
14	2	129933-11310	GASKET, BONNET	1								
15	2	129907-12110	GASKET, MANIFOLD	1								
16	2	129928-13720	GASKET, EGR-V SPACER	1								
17	2	119129-77020	GASKET, AIR HEATER	1								
18	2	121850-77021	GASKET, AIR HEATER	1								
19	2	129900-13251	GASKET, MANIFOLD	1								
20	2	129928-13410	GASKET, EGR COOLER	2								
21	2	129927-13810	GASKET, EGR PIPE	1								
22	2	129927-13910	GASKET, EGR	1								
23	2	129927-13920	GASKET, EGR	1								
24	2	123901-18080	GASKET, TURBINE OUT	1								
25	2	129472-18090	GASKET, TURBINE IN	1								
26	2	24321-000600	O-RING, 1AG60.0	1								
27	2	22190-080002	WASHER, SEAL 8	9								
28	2	23414-100000	GASKET, 10X1.0	2								
29	2	129908-39690	GASKET, RETURN PIPE	1								
30	2	129900-42020	GASKET, WATER PUMP	1								
31	2	121850-49540	GASKET, THERMOSTAT	1								
32	2	121850-49550	GASKET, THERMOSTAT	1								
33	2	22190-120002	WASHER, SEAL 12	1								
34	2	129900-49870	GASKET, THERMOSTAT	1								
35	2	23414-080000	GASKET, 8X1.0	1								
36	2	124465-44950	GASKET, 16	2								
37	2	123907-59550	GASKET, FUEL RETURN	5								

Remarks

(1)Optional parts.

Parts No. Index

Parts No.	Fig. No.	Ref. No.
105010-39140	11	7
105025-59750	16	7
114110-07761	20	6
114250-53080	15	5
114250-53120	15	9
114250-53130	15	10
114250-53140	15	11
114250-53210	15	12
119000-01840	3	3
119000-39650	11	38
119005-77051	5	17
119100-11330	4	60
119129-77020	5	15
	21	17
119129-77520	5	18
119131-18320	8	3
119225-52102	20	12
119578-91351	19	13
	22	29
119593-11301	4	29
119620-11180	4	14
119620-77380	18	4
119620-77421	18	7
119620-77440	18	12
119620-77461	18	14
119620-77471	18	15
119620-77480	18	20
119620-77490	18	16
119620-79200	18	8
119620-79210	18	9
119620-79220	18	10
119620-79230	18	11
119620-79250	18	6
119620-79260	18	18
119620-79280	18	21
119620-79290	18	22
119620-79300	18	23
119620-79310	18	24
119620-79320	18	25
119620-79330	18	26
119620-79340	18	27
119620-79350	18	28
119620-79360	18	29
119625-11880	4	25
	21	12
119640-01640	3	7
119761-39450	11	1
119802-11870	4	24
	21	11
119802-13791	6	10

Parts No.	Fig. No.	Ref. No.
119802-51680	13	68
119802-51690	13	69
119803-11340	4	15
	21	9
119803-53400	15	13
119810-77340	18	32
119852-51630	13	73
119852-51640	13	74
119852-51650	13	76
119934-59910	13	134
120130-22301	9	23
121252-39150	11	8
121450-42450	12	35
121520-34810	10	13
121750-59890	16	12
121850-21130	9	11
121850-21290	9	4
121850-21920	9	5
121850-49540	12	23
	21	31
121850-49550	12	25
	21	32
121850-49811	12	26
121850-77021	5	16
	21	18
123472-59120	15	41
123501-79240	18	5
123900-25060	7	9
123901-18080	20	11
	21	24
123901-39820	11	28
123907-03100	4	54
123907-03110	4	55
123907-03120	4	56
123907-03140	4	57
123907-11280	4	34
123907-11550	4	1
123907-11601	15	40
123907-11820	4	21
123907-11830	4	20
123907-39500	11	14
123907-55801	16	2
123907-59540	16	14
123907-59550	16	15
	21	37
123907-59560	16	20
123910-39850	11	26
123910-49600	10	8
123910-49610	10	10
123912-33050	10	2

Parts No.	Fig. No.	Ref. No.
123912-33100	10	3
124070-13300	11	23
124160-01751	2	15
	4	49
124160-11340	4	16
	21	10
124160-11360	4	67
124223-39900	11	4
124411-01780	3	5
124465-44950	12	36
	21	36
124722-59050	16	18
124766-59050	16	5
		9
127410-21480	9	14
129004-55612	16	1
129005-59830	11	16
129006-44480	10	5
129008-51920	13	12
129008-61301	14	26
129009-11340	4	61
129052-79270	18	19
129100-01580	2	1
	3	1
129136-59110	16	10
129150-02450	7	4
129150-11230	4	37
		41
129150-11750	4	19
		38
		42
129150-14200	7	1
129150-35170	10	24
129150-59120	15	42
129150-59131	15	45
129198-59540	11	7 -1
129240-79300	18	13
129240-79310	18	3
129242-55701	20	13
129242-55720	20	14
129242-55730	20	15
129242-55740	20	16
129242-55750	20	17
129242-55760	20	18
129242-55770	20	19
129263-49750	16	17
129263-77941	13	127
129410-03990	20	4
129418-18320	6	3
		4

Parts No.	Fig. No.	Ref. No.
129423-77210	18	2
129423-77730	18	17
129457-59010	16	4
129466-49300	10	7
129472-18090	8	2
	21	25
129509-03050	20	1
129509-12070	20	7
129509-53000	15	2
129509-79700	4	62
129657-51590	13	63
129657-51600	13	64
129685-77640	17	28
129795-01900	18	1
129900-01200	1	27
129900-01250	1	4
129900-01850	2	24
129900-01870	2	25
129900-02020	1	6
129900-02410	1	9
129900-13251	6	5
	21	19
129900-14100	7	6
129900-21200	9	3
129900-23001	9	25
129900-23200	9	28
129900-23911	9	31
129900-32030	2	6
	10	16
	21	3
129900-32040	2	7
	21	4
129900-42020	12	11
	21	30
129900-42462	12	14
129900-49870	12	31
	21	34
129900-77040	17	1
129900-77120	17	2
129900-77130	17	5
129900-77140	17	6
129900-77150	17	9
129900-77160	17	10
129900-77170	17	13
129900-77180	17	14
129900-77190	17	15
129900-77270	17	17
129900-77280	17	22
129900-77290	17	23
129900-77380	17	24

Parts No. Index

Parts No.	Fig. No.	Ref. No.
129900-77390	17	25
129900-77420	17	26
129900-77430	17	27
129900-77450	17	7
	12	
129906-51580	13	61
129907-01331	1	28
	21	2
129907-03011	4	51
129907-03061	4	52
129907-03070	4	53
129907-07900	4	70
129907-11100	4	11
129907-11110	4	12
129907-11120	4	13
129907-11250	4	31
129907-11260	4	32
129907-11270	4	33
129907-11341	4	30
129907-11510	4	17
129907-11650	4	35
129907-11660	4	39
129907-11800	4	74
129907-11920	4	43
129907-11950	4	27
129907-11960	4	26
129907-12110	5	1
	21	15
129907-14400	7	2
129907-21650	9	8 -1
129907-21660	9	8
129907-25900	7	15
129907-51560	13	58
129907-59140	16	13
129908-14581	7	3
129908-21000	9	1
129908-32060	2	4
129908-33010	10	1
129908-33101	10	4
129908-39410	11	32
129908-39690	11	27
	21	29
129908-49060	10	6
129915-01610	3	2
129916-01800	2	23
129916-21610	9	7
129916-49530	12	22
129920-21580	9	12
129927-02340	1	33
129927-02930	1	24

Parts No.	Fig. No.	Ref. No.
129927-02940	1	36
129927-13810	6	12
	21	21
129927-13910	6	20
	21	22
129927-13920	6	21
	21	23
129927-22050	9	17
129927-23600	9	29
129927-23610	9	32
129927-25100	7	10
129927-25920	7	16
129927-39060	11	12
129927-42002	12	1
129927-42140	2	8
129927-44900	12	17
129927-49610	12	37
129927-49620	12	41
129927-51250	13	141
129927-51650	13	125
129927-51660	13	126
129927-51670	13	129
129927-59550	16	16
129927-59810	15	47
129927-59820	15	48
129927-59830	15	49
129927-59840	15	50
129927-75901	19	19
129927-77600	19	11
		20
129927-77680	19	12
		21
129927-77690	20	22
129927-77920	20	23
		24
129928-11700	4	2
129928-12100	5	3
129928-13100	6	2
129928-13150	6	1
129928-13400	6	7
129928-13410	6	8
		9
	21	20
129928-13710	5	4
129928-13720	5	5
	21	16
129928-13900	6	19
129928-18200	5	10
129928-22080	9	15
129928-49400	12	18

Parts No.	Fig. No.	Ref. No.
129928-49410	12	19
129928-49420	12	45
129928-49800	12	16
129928-51390	13	25
129928-51900	13	11
129928-79700	12	54
129933-11310	4	59
	21	14
129935-01500	2	3
129935-39040	11	2
129935-39610	11	24
129945-03080	20	2
129945-11320	4	50
129945-12080	20	8
129945-12150	5	2
129945-18011	8	1
129945-18210	5	11
129945-18220	5	12
129948-07900	4	71
129948-13800	6	11
129948-13810	6	13
129948-49610	12	46
129948-49620	12	50
129951-01740	2	17
129953-25300	7	14
129953-34830	10	14
129953-35000	10	17
129957-59120	16	6
129960-03990	12	47
		51
129960-21940	9	10
129960-21950	9	9
129961-59110	16	11
129961-59310	16	8
129982-01710	3	6
129988-77330	18	31
129996-75000	19	1
129E00-13640	6	6
144626-51090	13	13
158552-51571	13	59
158552-51580	13	62
158552-51670	13	130
158552-51781	13	101
158552-52100	13	132
158552-52311	13	110
158552-52400	13	111
158552-52500	13	133
158553-51670	13	67
158553-51680	13	79
158553-51930	13	104

Parts No.	Fig. No.	Ref. No.
158553-51930	14	2
158553-61780	14	27
158557-51570	13	60
158557-61720	14	16
158563-51150	7	17
158563-51281	13	23
		24
158563-51330	13	35
158600-51270	13	22
158601-51550	13	57
158601-51650	13	128
158601-51770	13	100
158601-51790	13	102
171008-77410	17	3
171008-77420	17	4
171008-77450	17	8
171008-77670	17	18
171008-77750	17	29
171051-01921	1	5
171056-49120	10	23
172B02-17150	20	9
		10
22190-080002	11	9
		17
		19
		21
	16	21
	21	27
22190-120002	12	28
	13	105
		112
		135
	14	28
	21	33
22190-180002	13	106
22190-220002	3	9
	21	8
22217-050000	13	136
22217-180000	13	113
22252-000300	9	24
22312-050140	13	114
22351-030010	11	39
22351-050010	13	115
22351-060012	1	10
22512-070140	7	7
	9	6
22857-500100	4	63
		64
		65
22877-500080	19	14

Parts No. Index

Parts No.	Fig. No.	Ref. No.
22877-500080	19	23
23000-025000	10	11
	11	29
23000-054000	5	13
23000-070000	5	14
	20	25
23000-102000	20	26
23080-012000	12	40
		44
23414-080000	12	32
	21	35
23414-100000	11	10
	21	28
23857-030000	11	18
23875-030000	12	20
		29
23876-020000	4	8
23876-030000	1	11
		12
		13
		29
	4	9
24311-000070	2	9
	13	116
	21	5
24311-000120	4	28
		68
	21	13
24311-000160	20	20
24311-000320	2	16
	4	69
	21	7
24321-000600	10	12
	21	26
24321-000750	20	21
24341-000480	14	22
24351-030750	2	10
	21	6
24356-190200	13	70
		117
24356-240210	13	118
24372-000150	13	71
25132-004100	12	15
26014-080252	18	33
26106-060102	13	119
26106-060122	4	66
	13	137
26106-060162	11	30
	14	23
26106-060202	5	6

Parts No.	Fig. No.	Ref. No.
26106-060202	12	30
26106-060252	14	29
26106-060302	12	12
26106-060352	13	120
26106-080122	3	10
	10	22
	11	11
		20
		22
		31
	12	33
		55
26106-080142	7	8
26106-080162	2	11
		26
	4	72
26106-080202	2	12
		18
	4	73
	13	142
26106-080252	14	24
26106-080302	13	143
	16	3
26106-080352	6	14
26106-080402	2	27
	4	45
	5	19
26106-080452	2	13
		19
	5	8
	6	15
26106-080552	6	16
	7	13
	12	13
26106-080602	4	46
		47
	12	34
26106-080702	2	28
26106-080752	2	20
26106-080802	5	9
26106-080902	5	20
26106-100252	6	17
26106-100402	6	22
26106-101052	6	23
26106-120252	17	30
26206-100352	3	4
26216-060202	5	7
26216-100302	2	5
26226-080222	4	44
26306-080002	4	48

Parts No.	Fig. No.	Ref. No.
26306-080002	6	18
	8	4
26306-100002	2	14
	18	30
26366-060002	15	51
26450-100452	13	121
26716-050002	13	138
26776-180002	13	122
27241-160000	13	139
27241-300000	1	14
27241-400000	4	10
27310-070001	4	22
729907-01559	2	21
729927-02800	1	30
729927-22950	9	36
729928-01560	1	1
729928-22900	9	34
729928-53200	15	1
729928-92690	21	1
729945-51390	13	1
X2114955020	17	16
X2130631300	17	11

Parts No.	Fig. No.	Ref. No.
-----------	----------	----------