

0CW10-M46800EN

P R E F A C E

1. This parts catalog is the 1st edition of 4TNV98T-ZGPGE for PRAMAC.

Pub.No. : 0CW10-G46800

Published : October, 2008

2. Model name

Engine model	Vehicle	Vehicle made by
4TNV98T-ZGPGE	GENERATOR	PRAMAC

Directions for the Parts Catalog.

1. The parts stipulated in this Parts Catalog are not necessarily standard equipped parts.
2. Parts may change without prior notice.
3. The following is an example of the Parts Catalog format.

REF.	LEV.	PARTS NO.	DESCRIPTION	Q'TY						I	R
				(A)	(B)	(C)	(D)	(E)	(F)		
1	1	729595-51390	FUEL INJECTION PUMP	1	1	1	1	1			1
1-1	1	729595-51391	FUEL INJECTION PUMP	1	1	1	1	1		N	1
		(A=E00185) (B=E00200)									
3	2	26022-060162	SCREW M 6X 16	9	9	9	9	9			
3-1	2	26022-060162	SCREW M 6X 16	4	4	4	4	4		K	
		(A=E00156) (B=E00156) (C=E00156) (D=E00156) (E=E00156)									
4	2	129470-51040	CAMSHAFT	1	1	1	1	1			
5	2	122710-51050	BEARING, ROLLER	2	2	2	2	2			
6	2	129470-51060	RETAINER	1	1	1	1	1			

Remarks
(1) BOOST COMPEMSATOR TYPE. OPTIONAL PART, TO E00155,(4JH-DT, 4JH-DTZ

① Ref. No.

The Ref. No. listed may not be in accordance with the illustration Ref. No.

(Ex.) Illustration No.

List Ref No.

1 1 (Before change) → 1-1 (After change)

For interchangeable symbols N, R and K, illustrations for new parts may be abbreviated.

② Lev. (Level)

Level indication

The numbers below indicate the level of relativity towards the main part.

1 ---- Main parts (Assembly parts)

2 ---- Sub component included in " 1 ".

3 ---- Sub component included in " 2 ".

Note) Parts that are not for sale are partially illustrated but not listed.

③ Interchangeability Mark

When a part change takes place, one of the following interchangeability symbols is indicated beside the part.

Symbol	Interchangeability	Contents note
N	Old $\begin{matrix} \leftarrow \text{Yes} \\ \text{No} \rightarrow \end{matrix}$ New	New Part is interchangeable for Old Part but Old Part is not interchangeable for New Part.
Q	Old $\begin{matrix} \leftarrow \text{No} \\ \text{Yes} \rightarrow \end{matrix}$ New	New Part is not interchangeable for Old Part but Old Part is interchangeable for New Part.
R	Old $\begin{matrix} \leftarrow \text{Yes} \\ \text{Yes} \rightarrow \end{matrix}$ New	New/ Old Parts are both interchangeable.
S	Old $\begin{matrix} \leftarrow \text{No} \\ \text{No} \rightarrow \end{matrix}$ New	New/ Old Parts are both not interchangeable.
W		Part newly added.
Z		Part discontinued.
F		Not interchangeable by a single part but interchangeable together with related parts.
K		Changes only for used parts quantities.

④ Effective Machine No.

When a part changes, the effective Machine No. will be indicated in the (A)-(F) column.

Product Symbol	Product No.	Product Symbol	Product No.
C	Clutch No. Compressor No.	F	Machine No. (Agricultural Equip.)
D	Drive No.	M	Machine No.
E	Engine No.		

Note 1) A date may follow the symbol. (Ex.) 1996.01

Note 2) "XXXXX" and "ZZZZZ" are for parts that could not be predicted or for engine models that could not be identified.

Note 3) (A=E00185) is the E (Engine Serial Number) for the column (A) model (in this case 4JH-DT) after the parts design change.

⑤ Remarks Mark

Figures or alphabets (symbols) are entered in the remarks column.

The comments (remarks) on parts that are indicated at the bottom of the illustration are the same symbols as those stated above.

Contents

0CW10-M46800

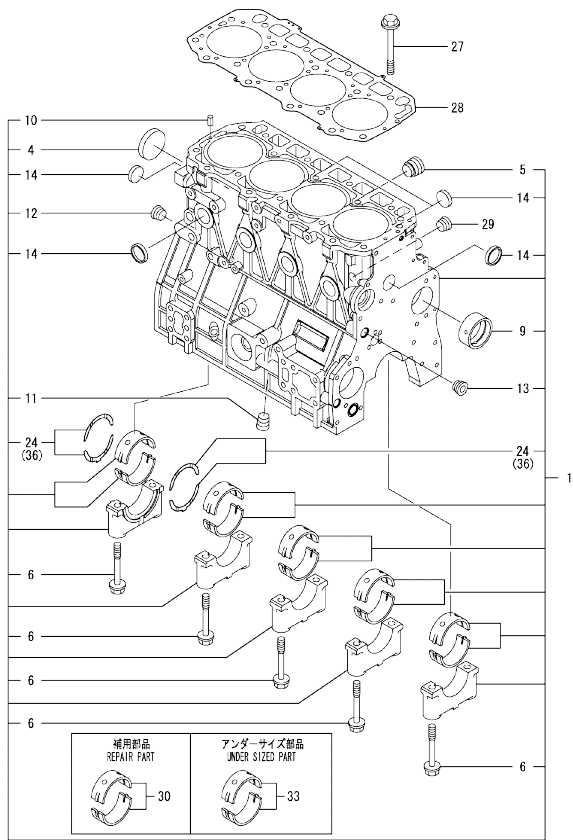
Fig. No.	Fig. Name	Fig. No.	Fig. Name
4	TNV98T-ZGPGE		
1.	CYLINDER BLOCK		
2.	GEAR HOUSING		
3.	FLYWHEEL HOUSING & OIL SUMP		
4.	CYLINDER HEAD & BONNET		
5.	SUCTION MANIFOLD & AIR CLEANER		
6.	EXHAUST MANIFOLD		
7.	CAMSHAFT & DRIVING GEAR		
8.	TURBINE		
9.	CRANKSHAFT & PISTON		
10.	LUB.OIL SYSTEM		
11.	LUB.OIL LINE		
12.	COOLING WATER SYSTEM		
13.	FUEL INJECTION PUMP		
14.	GOVERNOR		
15.	FUEL INJECTION VALVE		
16.	FUEL LINE		
17.	STARTING MOTOR		
21.	(17A)STARTING MOTOR		
18.	GENERATOR		
19.	ELECTRONIC CONTROL UNIT (ECU)		
20.	GASKET SET		

0CW10-M46800 4TNV98T-ZGPGE
 Fig.1. CYLINDER BLOCK

0CW10-M46800 Fig.1

(A)=4TNV98T-ZGPGE
 (B)=
 (C)=

(D)=
 (E)=
 (F)=

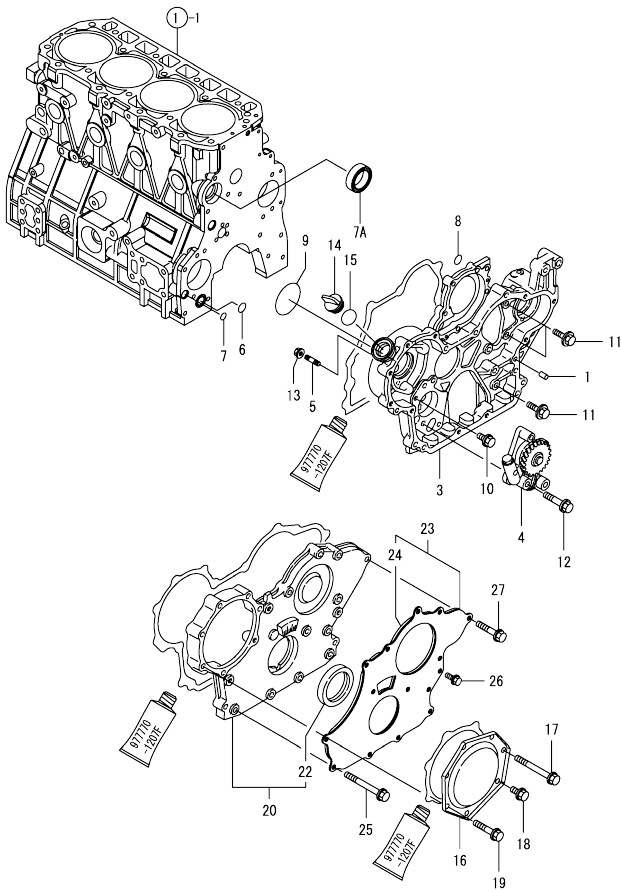


No.	Lev.	Parts No.	Description	Q'ty						I	R
				(A)	(B)	(C)	(D)	(E)	(F)		
1	1	729928-01560	BLOCK ASSY, CYLINDER	1							
4	2	129900-01250	PLUG, DISH TYPE 55	1							
5	2	171051-01921	PLUG, NPTF1	1							
6	2	129900-02020	BOLT, METAL CAP	10							
9	2	129900-02410	BUSH, CAMSHAFT	1							
10	2	22351-060012	PIN, SPRING 6.0X12	2							
11	2	23876-030000	PLUG, R03	1							
12	2	23876-030000	PLUG, R03	1							
13	2	23876-030000	PLUG, R03	1							
14	2	27241-300000	PLUG 30	8							
24	2	129900-02931	BEARING ASSY, THRUST	2							
27	1	129900-01200	BOLT, CYLINDER HEAD	18							
28	1	129907-01331	GASKET, HEAD	1							
29	1	23876-030000	PLUG, R03	1							
30	1	729900-02801	BEARING, MAIN	5							1
33	1	129900-02341	BEARING ASSY, MAIN	5							2
36	1	129900-02941	BEARING, THRUST 0.25	2							3

Remarks
 (1) REPAIR PART.
 (2) UNDER-SIZED(U.S=0.25)PART.
 (3) OVER-SIZED(O.S=0.25)PART.

0CW10-M46800 4TNV98T-ZGPGE
 Fig.2. GEAR HOUSING

0CW10-M46800 Fig.2

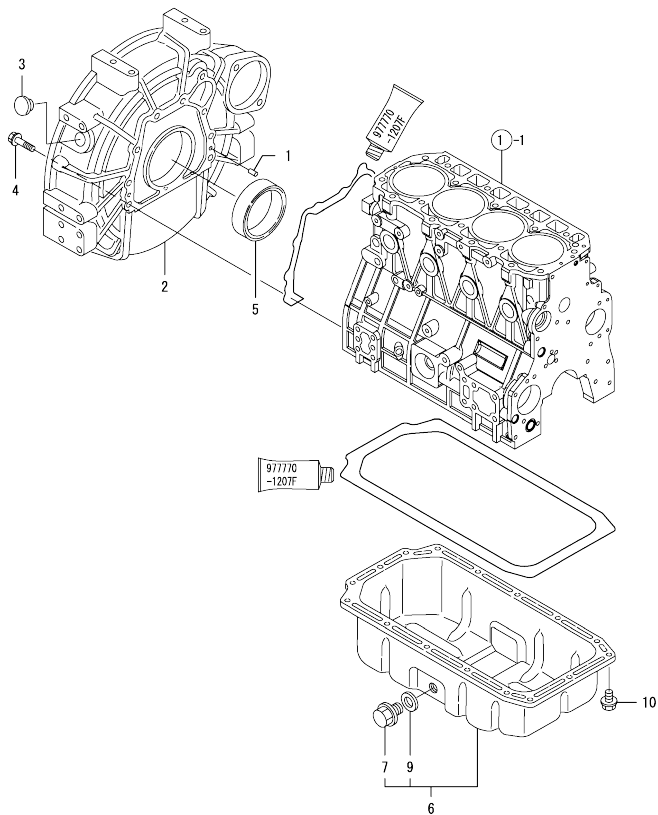


(A)=4TNV98T-ZGPGE
 (B)=
 (C)=

(D)=
 (E)=
 (F)=

No.	Lev.	Parts No.	Description	Qty						I	R
				(A)	(B)	(C)	(D)	(E)	(F)		
1	1	129100-01580	PIN, PARALLEL 8X16	4							
3	1	129935-01500	CASE, GEAR	1							
4	1	129908-32060	PUMP ASSY, OIL	1							
5	1	26216-100302	STUD, M10X 30	4							
6	1	129900-32030	O-RING, P20	1							
7	1	129900-32040	O-RING, P14	1							
7A	1	129927-42140	GASKET, PUMP OUTLET	1							W
(A=ET3454)											
8	1	24311-000070	O-RING, 1AP7.0	1							
9	1	24351-030750	O-RING, 1A3075	1							
10	1	26106-080162	BOLT, M8X 16 PLATED	1							
11	1	26106-080202	BOLT, M8X 20 PLATED	3							
12	1	26106-080452	BOLT, M8X 45 PLATED	3							
13	1	26306-100002	NUT, M10	4							
14	1	124160-01751	CAP, FILLER	1							
15	1	24311-000320	O-RING, 1AP32.0	1							
16	1	129900-01740	COVER	1							
17	1	129001-91810	BOLT, M8X70	1							
18	1	26106-080162	BOLT, M8X 16 PLATED	1							
19	1	26106-080402	BOLT, M8X 40 PLATED	5							
20	1	729907-01559	COVER ASSY,GEAR CASE	1							
22	2	129916-01800	SEAL, OIL	1							
23	1	129900-01850	COVER ASSY,GEAR CASE	1							
24	2	129900-01870	SPONGE, GEAR CASE	1							
25	1	129001-91810	BOLT, M8X70	6							
26	1	26106-080162	BOLT, M8X 16 PLATED	3							
27	1	26106-080402	BOLT, M8X 40 PLATED	5							

Fig.3. FLYWHEEL HOUSING & OIL SUMP

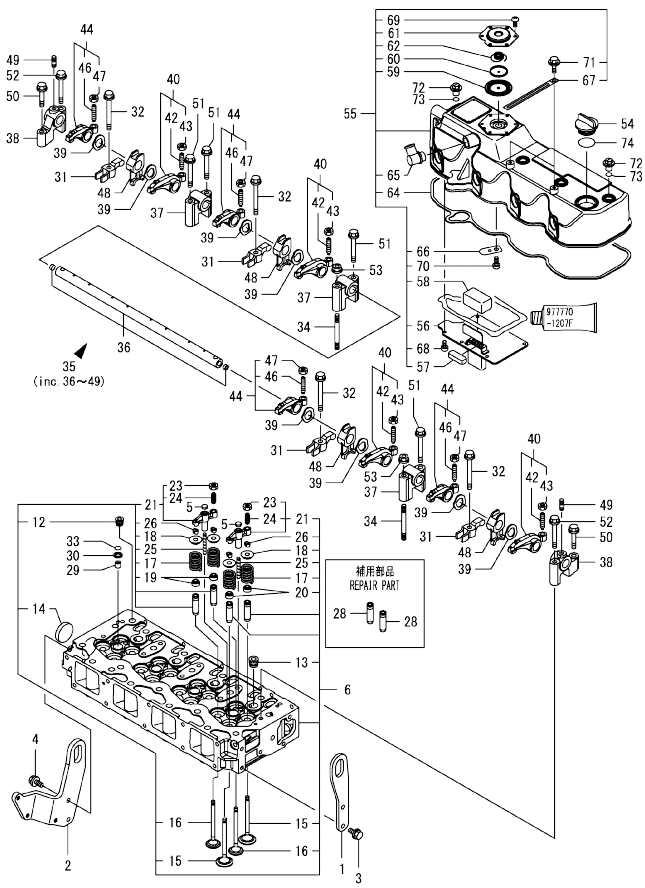


(A)=4TNV98T-ZGPGE
(B)=
(C)=

(D)=
(E)=
(F)=

No.	Lev.	Parts No.	Description	Q'ty						I	R
				(A)	(B)	(C)	(D)	(E)	(F)		
1	1	129100-01580	PIN, PARALLEL 8X16	2							
2	1	129915-01610	HOUSING, FLYWHEEL	1							
3	1	119000-01840	PLUG, RUBBER	1							
4	1	26206-100352	BOLT, M10X 35 PLATED	9							
5	1	124411-01780	SEAL, HTC95X115X12	1							
6	1	129982-01710	OIL PAN ASSY	1							
7	2	119640-01640	PLUG, DRAIN M22	1							
9	2	22190-220002	WASHER, SEAL 22	1							
10	1	26106-080122	BOLT, M8X 12 PLATED	16							

Fig.4. CYLINDER HEAD & BONNET



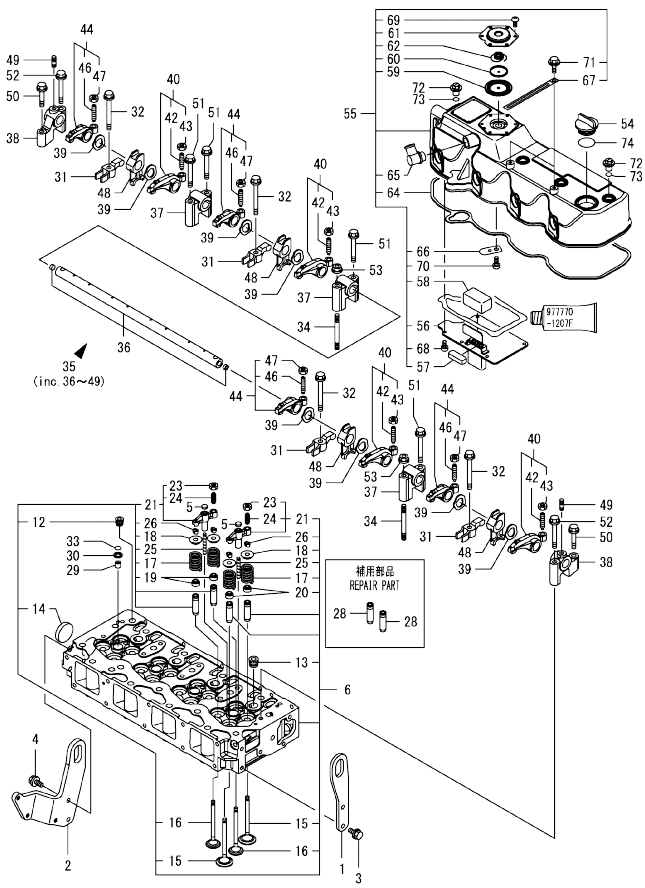
(A)=4TNV98T-ZGPGE
(B)=
(C)=

(D)=
(E)=
(F)=

No.	Lev.	Parts No.	Description	Q'ty						I	R
				(A)	(B)	(C)	(D)	(E)	(F)		
1	1	129907-07900	LIFTER, ENGINE	1							
2	1	129948-07900	LIFTER, ENGINE	1							
3	1	26106-080162	BOLT, M8X 16 PLATED	2							
4	1	26106-080202	BOLT, M8X 20 PLATED	2							
5	1	123907-11550	SEAT, VALVE BRIDGE	8							
6	1	129928-11700	HEAD ASSY, CYLINDER	1							
12	2	23876-020000	PLUG, R02	1							
13	2	23876-030000	PLUG, R03	4							
14	2	27241-400000	PLUG, 40	1							
15	2	129907-11100	VALVE, SUCTION	8							
16	2	129907-11110	VALVE, EXHAUST	8							
17	2	129907-11120	SPRING, VALVE	16							
18	2	119620-11180	RETAINER, SPRING	16							
19	2	119803-11340	SEAL, VALVE STEM	8							
20	2	124160-11340	SEAL, VALVE STEM	8							
21	2	129907-11510	BRIDGE ASSY, VALVE	8							
23	3	129150-11750	NUT, M8	8							
24	3	123907-11830	ADJUSTER	8							
25	2	123907-11820	GUIDE, BRIDGE	8							
26	2	27310-070001	COTTER, 7	16							
28	1	129907-11800	GUIDE, VALVE	16							1
29	1	119802-11870	PROTECTOR, NOZZLE	4							
30	1	119625-11880	SEAT, NOZZLE	4							
31	1	129907-11910	RETAINER, NOZZLE	4							
32	1	129907-11950	BOLT, M8X75	4							
33	1	24311-000120	O-RING, 1AP12.0	4							
34	1	119593-11301	BOLT, STUD M8X80	2							
35	1	129907-11341	SHAFT ASSY, ROCKER	1							
36	2	129907-11250	SHAFT, ROCKER ARM	1							
37	2	129907-11260	SUPPORT, ROCKER ARM	3							
38	2	129907-11270	SUPPORT, ROCKER ARM	2							
39	2	123907-11280	WASHER	8							
40	2	129907-11650	ARM ASSY, ROCKER	4							
42	3	129150-11230	SCREW, VALVE ADJUST	4							
43	3	129150-11750	NUT, M8	4							
44	2	129907-11660	ARM ASSY, ROCKER	4							
46	3	129150-11230	SCREW, VALVE ADJUST	4							
47	3	129150-11750	NUT, M8	4							
48	2	129907-11920	RETAINER, NOZZLE	4							
49	2	26226-080222	STUD, M8X 22	2							
50	1	26106-080402	BOLT, M8X 40 PLATED	2							
51	1	26106-080602	BOLT, M8X 60 PLATED	4							
52	1	26106-080602	BOLT, M8X 60 PLATED	2							
53	1	26306-080002	NUT, M8	2							
54	1	124160-01751	CAP, FILLER	1							
55	1	129945-11320	BONNET ASSY, HEAD	1							
56	2	129907-03011	PLATE, BAFFLE	1							
57	2	129907-03061	BAFFLE, BREATHER	1							
58	2	129907-03070	BAFFLE, BREATHER	1							
59	2	123907-03100	DIAPHRAGM	1							
60	2	123907-03110	PLATE	1							

Remarks
(1) REPAIR PART.

Fig.4. CYLINDER HEAD & BONNET



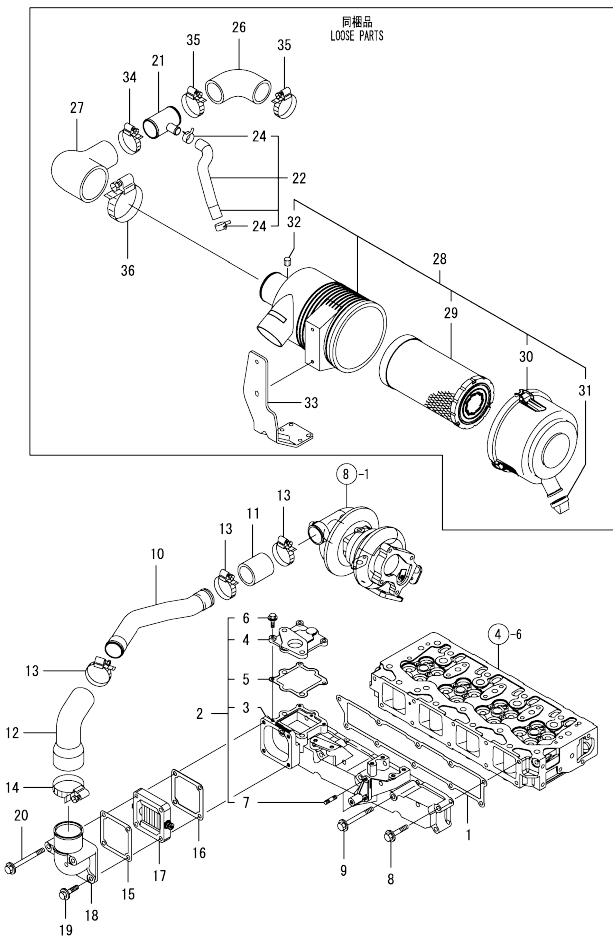
(A)=4TNV98T-ZGPGE
(B)=
(C)=

(D)=
(E)=
(F)=

No.	Lev.	Parts No.	Description	Qty						I	R	
				(A)	(B)	(C)	(D)	(E)	(F)			
61	2	123907-03120	PLATE, BREATHER	1								
62	2	123907-03140	SPRING, DIAPHRAGM	1								
64	2	129933-11310	GASKET, BONNET	1								
65	2	119100-11330	ELBOW, BREATHER	1								
66	2	129009-11340	SPRING, PLATE	1								
67	2	129509-79700	CLAMP, 140-M6	2								
68	2	22857-500100	SCREW, 5X10	6								
69	2	22857-500100	SCREW, 5X10	6								
70	2	22857-500100	SCREW, 5X10	1								
71	2	26106-060122	BOLT, M6X 12 PLATED	2								
72	1	124160-11360	KNOB	4								
73	1	24311-000120	O-RING, 1AP12.0	4								
74	1	24311-000320	O-RING, 1AP32.0	1								

Remarks
(1) REPAIR PART.

Fig.5. SUCTION MANIFOLD & AIR CLEANER

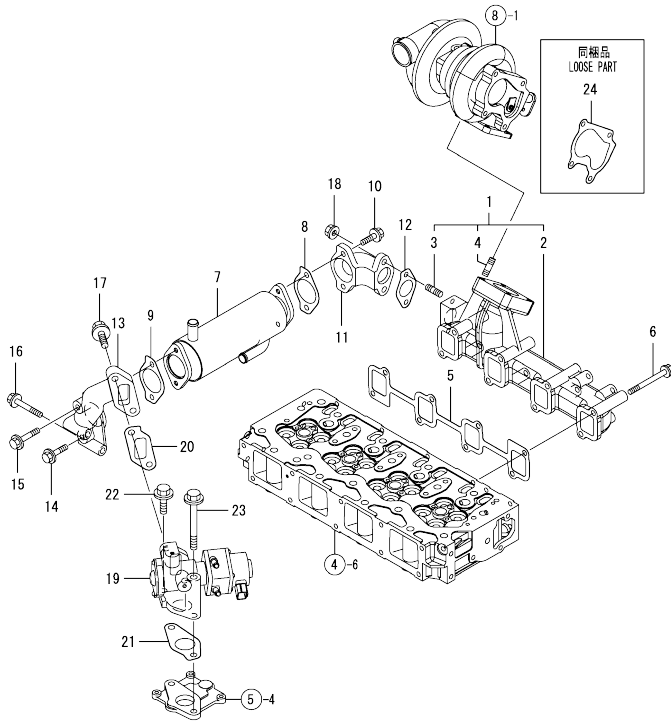


(A)=4TNV98T-ZGPGE
(B)=
(C)=

(D)=
(E)=
(F)=

No.	Lev.	Parts No.	Description	Q'ty						I	R
				(A)	(B)	(C)	(D)	(E)	(F)		
1	1	129907-12110	GASKET, MANIFOLD	1							
2	1	129945-12150	MANIFOLD ASSY,INTAKE	1							
3	2	129928-12100	MANIFOLD, AIR INTAKE	1							
4	2	129928-13710	SPACER, EGR VALVE	1							
5	2	129928-13720	GASKET	1							
6	2	26106-060202	BOLT, M6X 20 PLATED	3							
7	2	26216-060202	STUD, M6X 20	2							
8	1	26106-080452	BOLT, M8X 45 PLATED	6							
9	1	26106-080802	BOLT, M8X 80 PLATED	4							
10	1	129928-18200	DUCT, AIR	1							
11	1	129945-18210	JOINT, RUBBER	1							
12	1	129945-18220	JOINT, RUBBER	1							
13	1	23000-054000	CLAMP, 54	3							
14	1	23000-080000	CLAMP, 80	1							
14-1	1	23000-070000	CLAMP, 70	1							N
15	1	119129-77020	GASKET	1							
16	1	121850-77021	GASKET, AIR HEATER	1							
17	1	119005-77051	HEATER, AIR	1							
18	1	119129-77520	BEND	1							
19	1	26106-080402	BOLT, M8X 40 PLATED	2							
20	1	26106-080902	BOLT, M8X 90 PLATED	2							
21	1	129509-03050	JOINT, BREATHER	1							
22	1	129945-03080	HOSE ASSY, BREATHER	1							
24	2	129410-03990	CLAMP, HOSE 21.5	2							
26	1	129509-12070	HOSE, AIR INTAKE	1							
27	1	129945-12080	HOSE, AIR INTAKE	1							
28	1	129933-12500	AIR CLEANER ASSY	1							
29	2	129935-12520	ELEMENT, OUTER	1							
30	2	119160-12530	COVER ASSY	1							
31	2	119160-12540	VALVE	1							
32	2	121820-12590	NIPPLE	1							
33	1	129949-12560	BRACKET, CLEANER	1							
34	1	23000-060000	CLAMP, 60	1							
35	1	23000-070000	CLAMP, 70	2							
36	1	23000-090000	CLAMP, 90	1							

Fig.6. EXHAUST MANIFOLD

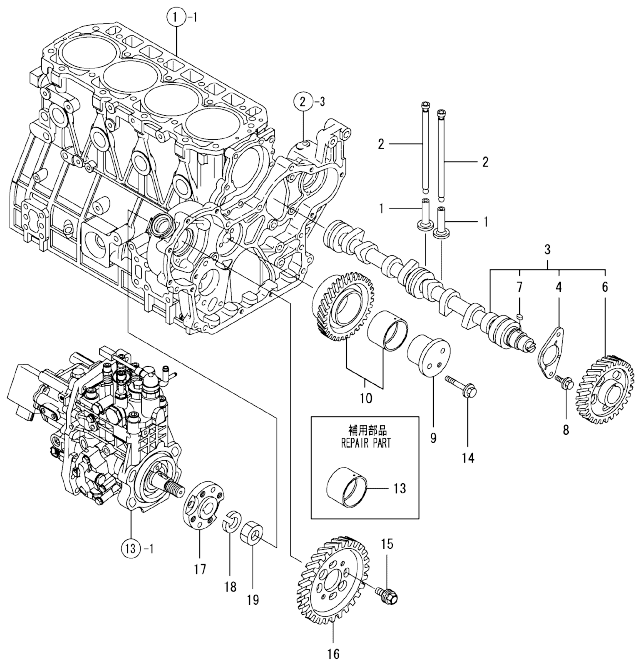


(A)=4TNV98T-ZGPGE
(B)=
(C)=

(D)=
(E)=
(F)=

No.	Lev.	Parts No.	Description	Q'ty						I	R
				(A)	(B)	(C)	(D)	(E)	(F)		
1	1	129928-13150	MANIFOLD ASSY, EXH.	1							
2	2	129928-13100	MANIFOLD, EXHAUST	1							
3	2	129418-18320	BOLT, STUD M8X20	2							
4	2	129418-18320	BOLT, STUD M8X20	4							
5	1	129900-13251	GASKET, EXH.MANIFOLD	1							
6	1	123900-13630	BOLT, M8X80	8							
7	1	129928-13400	COOLER ASSY, EGR	1							
8	1	129928-13410	GASKET	1							
9	1	129928-13410	GASKET	1							
10	1	119802-13790	BOLT, M8X25 10.9T	2							
11	1	129948-13800	PIPE, EGR IN	1							
12	1	129927-13810	GASKET	1							
13	1	129948-13810	PIPE, EGR IN	1							
14	1	26106-080352	BOLT, M8X 35 PLATED	1							
15	1	26106-080452	BOLT, M8X 45 PLATED	1							
16	1	26106-080552	BOLT, M8X 55 PLATED	2							
17	1	26106-100252	BOLT, M10X 25 PLATED	2							
18	1	26306-080002	NUT, M8	2							
19	1	129927-13900	VALVE, EGR	1							
20	1	129927-13910	GASKET, EGR	1							
21	1	129927-13920	GASKET, EGR	1							
22	1	26106-100402	BOLT, M10X 40 PLATED	1							
23	1	26106-101052	BOLT, M10X105 PLATED	1							
24	1	123901-18080	GASKET	1							

Fig.7. CAMSHAFT & DRIVING GEAR



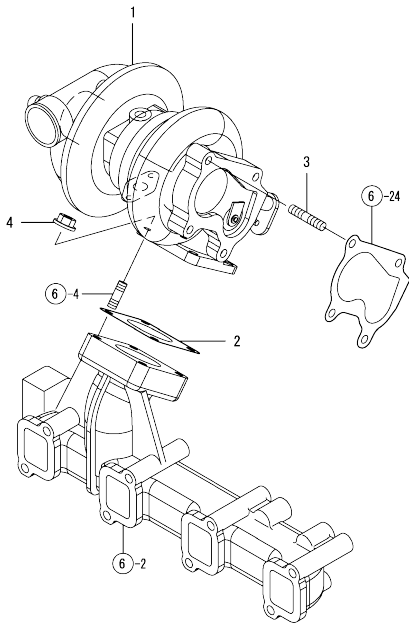
(A)=4TNV98T-ZGPGE
(B)=
(C)=

(D)=
(E)=
(F)=

No.	Lev.	Parts No.	Description	Q'ty						I	R
				(A)	(B)	(C)	(D)	(E)	(F)		
1	1	129150-14200	TAPPET	8							
2	1	129907-14400	PUSH-ROD	8							
3	1	129908-14581	CAMSHAFT ASSY	1							
4	2	129150-02450	BEARING, THRUST	1							
6	2	129900-14100	GEAR, CAMSHAFT	1							
7	2	22512-070140	KEY, 7X 14	1							
8	1	26106-080162	BOLT, M8X 16 PLATED	2							
9	1	123900-25060	SHAFT, IDLE GEAR	1							
10	1	129900-25100	GEAR ASSY, IDLE	1							
13	1	129150-25920	BUSH, IDLE GEAR	1							1
14	1	26106-080552	BOLT, M8X 55 PLATED	3							
15	1	129953-25300	BOLT	4							
16	1	129907-25900	GEAR, PUMP	1							
17	1	158563-51150	FLANGE	1							
18	1	22217-180000	WASHER, SPRING 18	1							
19	1	26776-180002	NUT, LOCK M18	1							

Remarks
(1) REPAIR PART.

Fig.8. TURBINE

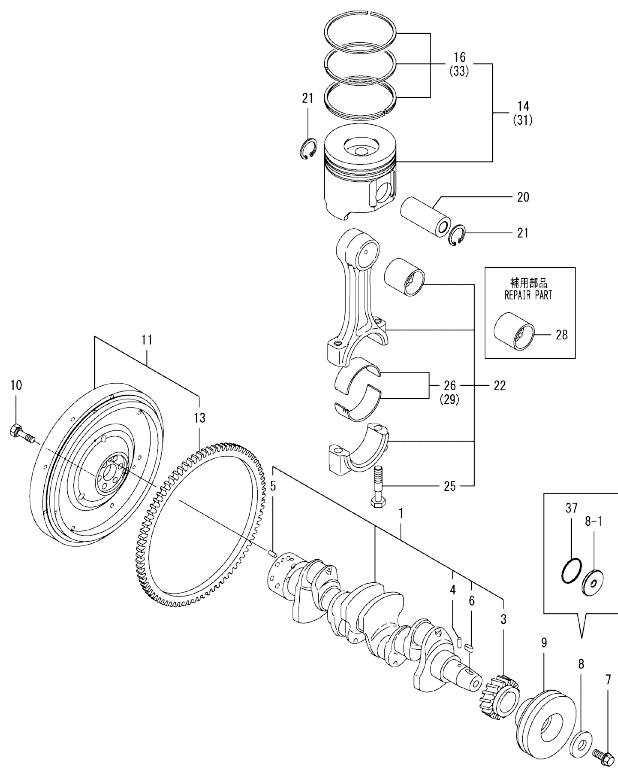


(A)=4TNV98T-ZGPGE
(B)=
(C)=

(D)=
(E)=
(F)=

No.	Lev.	Parts No.	Description	Q'ty					
				(A)	(B)	(C)	(D)	(E)	(F)
1	1	129945-18010	TURBOCHARGER, RHF5	1					
2	1	129472-18090	GASKET	1					
3	1	119131-18320	BOLT, STUD M8X22	4					
4	1	26306-080002	NUT, M8	4					

Fig.9. CRANKSHAFT & PISTON



(A)=4TNV98T-ZGPGE
(B)=
(C)=

(D)=
(E)=
(F)=

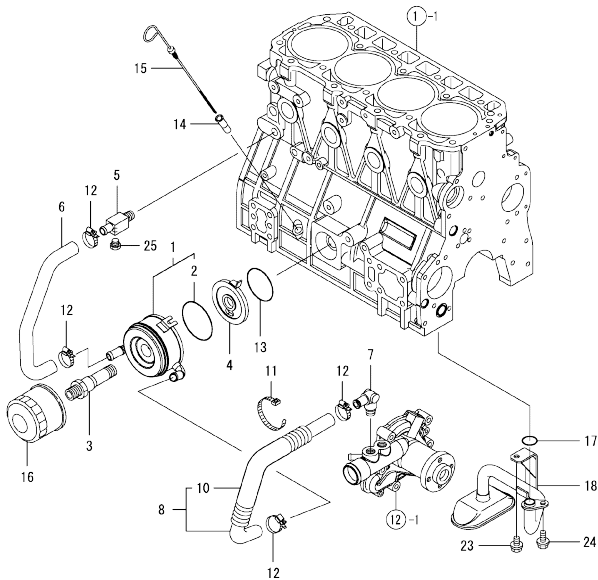
No.	Lev.	Parts No.	Description	Q'ty						I	R
				(A)	(B)	(C)	(D)	(E)	(F)		
1	1	129908-21000	CRANKSHAFT ASSY	1							
3	2	129900-21200	GEAR, CRANKSHAFT	1							
4	2	121850-21290	PIN	1							
5	2	121850-21920	PIN, PARALLEL 10X22	1							
6	2	22512-070140	KEY, 7X 14	1							
7	1	129916-21610	BOLT	1							
8	1	129900-21640	WASHER	1							
8-1	1	129960-21940 (A=E134350)	WASHER, V-PULLEY	1							N
9	1	129907-21660	V-PULLEY, CRANK 130	1							
10	1	121850-21130	BOLT, FLYWHEEL	6							
11	1	129920-21580	FLYWHEEL ASSY	1							
13	2	127410-21480	GEAR, RING Z=129	1							
14	1	129928-22080	PISTON ASSY	4							
16	2	129927-22050	RING SET, PISTON	4							
20	1	120130-22301	PIN, PISTON	4							
21	1	22252-000300	RING, 30	8							
22	1	129900-23001	ROD ASSY, CONNECTING	4							
25	2	129900-23200	BOLT, CONNECTING ROD	8							
26	2	129900-23601	BEARING, CRANK PIN	4							
28	1	129900-23911	BEARING, PISTON PIN	4							1
29	1	129900-23611	BEARING ASSY, 0.25US	4							2
31	1	729928-22900	PISTON ASSY, 0.25 OS	4							3
33	2	729927-22950	RING SET, 0.25 OS	4							3
37	1	129960-21930 (A=E134350)	GASKET, WASHER	1							W

Remarks

- (1) REPAIR PART.
- (2) UNDER-SIZED(U.S=0.25)PART.
- (3) OVER-SIZED(O.S=0.25)PART.

OCW10-M46800 4TNV98T-ZGPGE
 Fig.10. LUB.OIL SYSTEM

OCW10-M46800 Fig.10



(A)=4TNV98T-ZGPGE
 (B)=
 (C)=

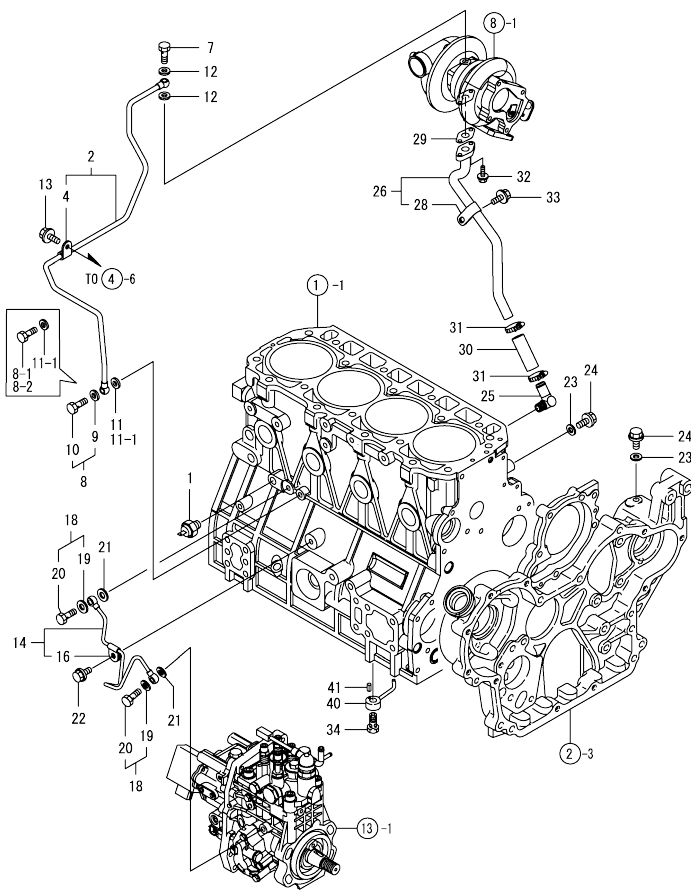
(D)=
 (E)=
 (F)=

No.	Lev.	Parts No.	Description	Q'ty						I	R
				(A)	(B)	(C)	(D)	(E)	(F)		
1	1	129908-33010	COOLER ASSY, OIL	1							
2	2	123912-33050	O-RING	1							
3	1	123912-33100	BOLT, COOLER	1							
4	1	129908-33101	BRACKET, OIL COOLER	1							
5	1	129006-44480	JOINT	1							
6	1	129908-49060	HOSE, WATER	1							
7	1	129466-49300	ELBOW, PT3/8	1							
8	1	123910-49600	HOSE ASSY WATER	1							
10	2	123910-49610	TUBE, CORRUGATED	1							
11	1	121750-59890	BAND, NYLON	1							
12	1	23000-025000	CLAMP, 25	4							
13	1	24321-000600	O-RING, 1AG60.0	1							
14	1	121520-34810	GUIDE, DIPSTICK	1							
15	1	129953-34830	DIPSTICK	1							
16	1	129150-35153	FILTER ASSY, D80X80L	1							1
17	1	129900-32030	O-RING, P20	1							
18	1	129953-35000	PIPE ASSY, OIL INLET	1							
23	1	26106-080122	BOLT, M8X 12 PLATED	1							
24	1	26106-080162	BOLT, M8X 16 PLATED	1							
25	1	171056-49120	PLUG, DRAIN R1/4	1							

Remarks
 (1) REPAIR PART.

N:Old $\frac{100}{100}$ New, Q:Old $\frac{100}{100}$ New, R:Old $\frac{100}{100}$ New, S:Old $\frac{100}{100}$ New, W:Add, Z:Discontinued, F:Interchangeable by set, K:Q'ty Change
 Copyright (C) YANMAR GLOBAL CS CO., LTD. All Rights Reserved.

Fig.11. LUB.OIL LINE

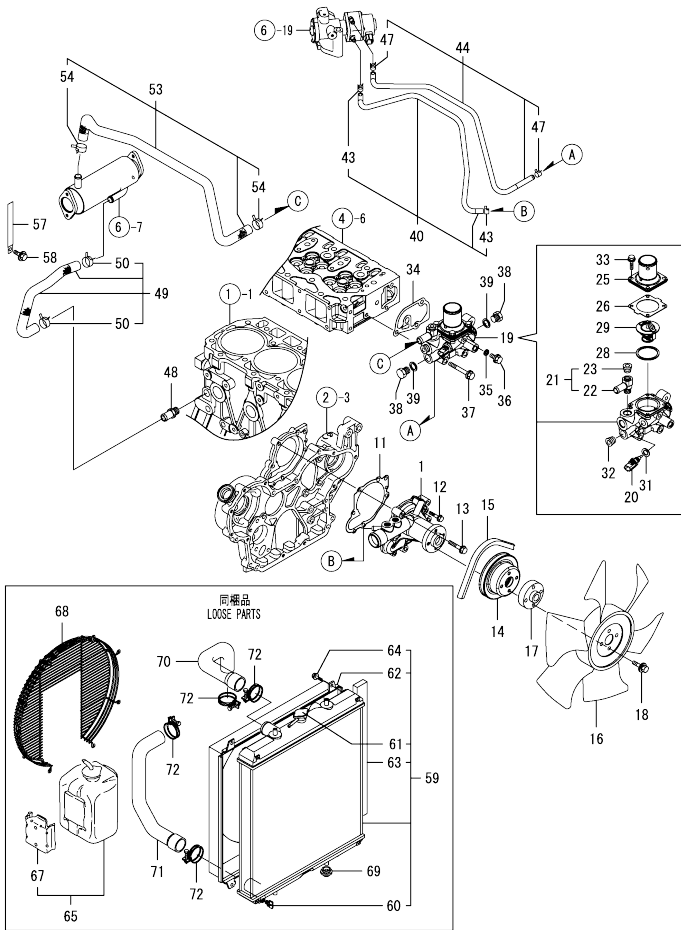


(A)=4TNV98T-ZGPGE
(B)=
(C)=

(D)=
(E)=
(F)=

No.	Lev.	Parts No.	Description	Q'ty						I	R
				(A)	(B)	(C)	(D)	(E)	(F)		
1	1	119761-39450	SWITCH, HYDRAULIC	1							
2	1	129935-39040	PIPE ASSY, OIL	1							
4	2	124223-39900	RETAINER	1							
7	1	121252-39150	BOLT, JOINT M10X1.5	1							
8	1	129005-59830	BOLT ASSY, JOINT M8	1							
8-1	1	105010-39140	BOLT, PIPE JOINT M8	1							S
8-2	1	129198-59540	BOLT, PIPE JOINT M8	1							S
9	2	22190-080002	WASHER, SEAL 6	1							Z
10	2	23857-030000	BOLT, JOINT 3	1							Z
11	1	22190-080002	WASHER, SEAL 8	1							
11-1	1	22190-080002	WASHER, SEAL 8	2							K
12	1	23414-100000	GASKET, 10X1.0	2							
13	1	26106-080122	BOLT, M8X 12 PLATED	1							
14	1	129927-39060	PIPE ASSY, OIL	1							
16	2	123907-39500	RETAINER, PIPE	1							
18	1	129005-59830	BOLT ASSY, JOINT M8	2							
19	2	22190-080002	WASHER, SEAL 6	2							
20	2	23857-030000	BOLT, JOINT 3	2							
21	1	22190-080002	WASHER, SEAL 6	2							
22	1	26106-080122	BOLT, M8X 12 PLATED	1							
23	1	22190-080002	WASHER, SEAL 6	2							
24	1	26106-080122	BOLT, M8X 12 PLATED	2							
25	1	124070-13300	ELBOW, PT3/8	1							
26	1	129935-39610	PIPE, OIL	1							
28	2	123910-39850	RETAINER	1							
29	1	129908-39690	GASKET	1							
30	1	123901-39820	HOSE, LO RETURN	1							
31	1	23000-025000	CLAMP, 25	2							
32	1	26106-060162	BOLT, M6X 16 PLATED	2							
33	1	26106-080122	BOLT, M8X 12 PLATED	1							
34	1	129908-39410	VALVE ASSY, CHECK	4							
40	1	119000-39650	NOZZLE, COOLING	4							
41	1	22351-030010	PIN, SPRING 3.0X10	4							

Fig.12. COOLING WATER SYSTEM



(A)=4TNV98T-ZGPGE
(B)=
(C)=

(D)=
(E)=
(F)=

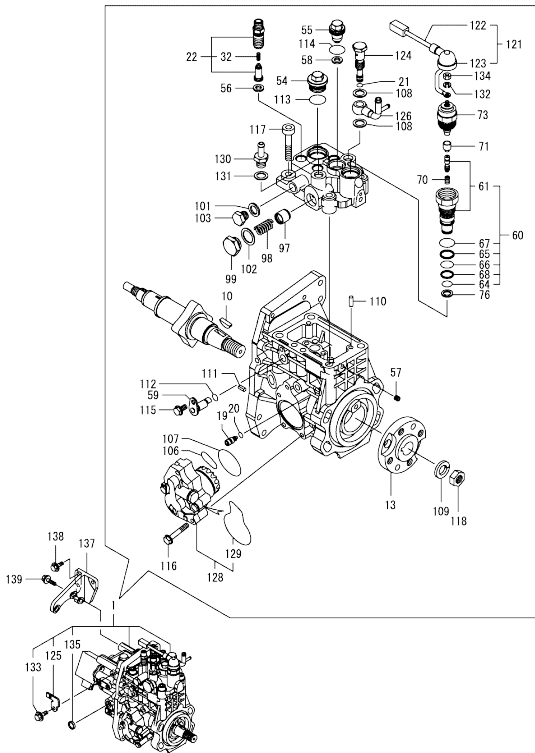
No.	Lev.	Parts No.	Description	(A)	(B)	(C)	(D)	(E)	(F)	I	R
1	1	129927-42000	PUMP ASSY, WATER	1							
11	1	129900-42020	GASKET, WATER PUMP	1							
12	1	26106-060302	BOLT, M6X 30 PLATED	2							
13	1	26106-080552	BOLT, M8X 55 PLATED	5							
14	1	129900-42461	V-PULLEY, C.W.PUMP	1							
15	1	25132-004100	V-BELT, A41	1							
16	1	129916-44740	FAN, COOLING D=430	1							
17	1	119130-44760	SPACER, FAN	1							
18	1	26106-080302	BOLT, M8X 30 PLATED	4							
19	1	129928-49800	CASE ASSY,THERMOSTAT	1							
20	2	129927-44900	SENSOR, WATER TEMP.	1							
21	2	129928-49400	JOINT ASSY	1							
22	3	129928-49410	JOINT	1							
23	3	23875-030000	PLUG, R03	1							
25	2	129916-49530	COVER, THERMOSTAT	1							
26	2	121850-49540	GASKET, THERMOSTAT	1							
28	2	121850-49550	GASKET, THERMOSTAT	1							
29	2	121850-49810	THERMOSTAT, 71C	1							
31	2	22190-120002	WASHER, SEAL 12	1							
32	2	23875-030000	PLUG, R03	1							
33	2	26106-060202	BOLT, M6X 20 PLATED	4							
34	1	129900-49870	GASKET, THERMOSTAT	1							
35	1	23414-080000	GASKET, 8X1.0	1							
36	1	26106-080122	BOLT, M8X 12 PLATED	1							
37	1	26106-080602	BOLT, M8X 60 PLATED	3							
38	1	121450-42450	PLUG, M16	2							
39	1	124465-44950	GASKET, 16	2							
40	1	129927-49610	HOSE ASSY, WATER	1							
43	2	23080-012000	CLAMP, 12	2							
44	1	129927-49620	HOSE ASSY, WATER	1							
47	2	23080-012000	CLAMP, 12	2							
48	1	129928-49420	JOINT	1							
49	1	129948-49610	HOSE ASSY, WATER	1							
50	2	129960-03990	CLAMP, HOSE 19.8	2							
53	1	129948-49620	HOSE ASSY, WATER	1							
54	2	129960-03990	CLAMP, HOSE 19.8	2							
57	1	129928-79700	CLAMP, 150-M8	1							
58	1	26106-080122	BOLT, M8X 12 PLATED	1							
59	1	129940-44500	RADIATOR ASSY	1							
60	2	129508-44550	COCK ASSY	1							
61	2	129107-44590	CAP, RADIATOR	1							
62	2	129907-44600	SHROUD	1							
63	2	129907-44610	GASKET	2							
64	2	26014-060122	BOLT, M6X 12	4							
65	1	720445-44200	TANK ASSY, SUB	1							
67	2	120445-44540	SUPPORT	1							
68	1	129907-44560	GUARD, FAN	1							
69	1	119255-44660	ABSORBER	4							
70	1	129981-49050	HOSE, WATER	1							
71	1	129981-49062	HOSE, WATER	1							
72	1	23010-060000	CLAMP, 60	4							

N:Old $\frac{100}{100}$ New, O:Old $\frac{100}{100}$ New, R:Old $\frac{100}{100}$ New, S:Old $\frac{100}{100}$ New, W:Add, Z:Discontinued, F:Interchangeable by set, K:Qty Change
Copyright (C) YANMAR GLOBAL CS CO., LTD. All Rights Reserved.

Fig.13. FUEL INJECTION PUMP

(A)=4TNV98T-ZGPGE
(B)=
(C)=

(D)=
(E)=
(F)=

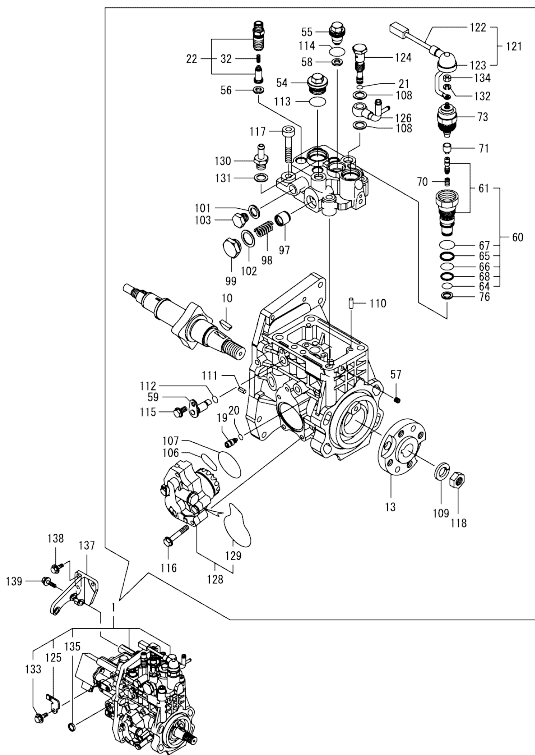


No.	Lev.	Parts No.	Description	(A)	(B)	(C)	(D)	(E)	(F)	Q'ty	I	R
1	1	729945-51390	FIE ASSY	1								1
10	2	144626-51090	FEATHER KEY, 5X19	1								
13	2	158563-51150	FLANGE	1								
19	2	158600-51270	STOPPER, TAPPET	1								
20	2	158563-51281	O-RING, 4D S6	1								
21	2	158563-51281	O-RING, 4D S6	1								
22	2	129928-51390	VALVE ASSY, DELIVERY	4								
32	3	158563-51330	SPRING, DELIVERY	4								
54	2	158601-51550	PLUG, M22	1								
55	2	129907-51560	PLUG, M16	1								
56	2	158552-51571	GASKET, PLUG	4								
57	2	158557-51570	PLUG, RACK	1								
58	2	129906-51580	GASKET, PLUG	1								
59	2	158552-51580	LIFTER, LINK	1								
60	2	129657-51590	TIMER ASSY	1								
61	3	129657-51600	TIMER ASSY	1								
64	3	158553-51670	O-RING	1								
65	3	119802-51680	RING, BACKUP	1								
66	3	119802-51690	O-RING	1								
67	3	24356-010200	O-RING, 4D1020	1								
68	3	24372-000150	RING, BACK UP T2P15	1								
70	2	119852-51630	SPRING, TIMER	1								
71	2	119852-51640	CAP, TIMER	1								
73	2	119852-51650	VALVE ASSY, SOLENOID	1								
76	2	158553-51680	GASKET, TIMER	1								
97	2	158601-51770	PISTON, ACCUMULATOR	1								
98	2	158552-51781	SPRING, ACCUMULATOR	1								
99	2	158601-51790	PLUG	1								
101	2	22190-120002	WASHER, SEAL 12	1								
102	2	22190-180002	WASHER, SEAL 18	1								
103	2	23887-120002	PLUG, 12	1								
106	2	158552-52310	O-RING	1								
107	2	158552-52400	O-RING, 4E S42	1								
108	2	22190-120002	WASHER, SEAL 12	2								
109	2	22217-180000	WASHER, SPRING 18	1								
110	2	22312-050140	PIN, PARALLEL M5X14	2								
111	2	22351-050010	PIN, SPRING 5.0X10	2								
112	2	24311-000070	O-RING, 1AP7.0	1								
113	2	24356-010200	O-RING, 4D1020	1								
114	2	24356-020210	O-RING, 4D2021	1								
115	2	26106-060102	BOLT, M6X 10 PLATED	1								
116	2	26106-060352	BOLT, M6X 35 PLATED	4								
117	2	26450-100452	BOLT, M10X 45	4								
118	2	26776-180002	NUT, LOCK M18	1								
121	2	129927-51650	HARNES ASSY, WIRE	1								
122	3	129927-51660	HARNES	1								
123	3	129263-77941	CAP, RUBBER	1								
124	2	158601-51650	JOINT, OVER FLOW	1								
125	2	129927-51670	BRACKET	1								
126	2	158552-51670	JOINT, OVER FLOW	1								
128	2	158552-52100	PUMP ASSY, FUEL FEED	1								

Remarks

(1) GOVERNOR ASSY (FIG.14) IS INCORPORATED IN THIS FUEL INJECTION PUMP (REF.NO.1).
* ECO PUMP
MAKE SURE TO UPDATE THE ENGINES ECU INFORMATION WHEN REPLACING THE ECO PUMP.
FAILING TO DO SO WILL RESULT IN ENGINE MALFUNCTION.

Fig.13. FUEL INJECTION PUMP



(A)=4TNV98T-ZGPGE
(B)=
(C)=

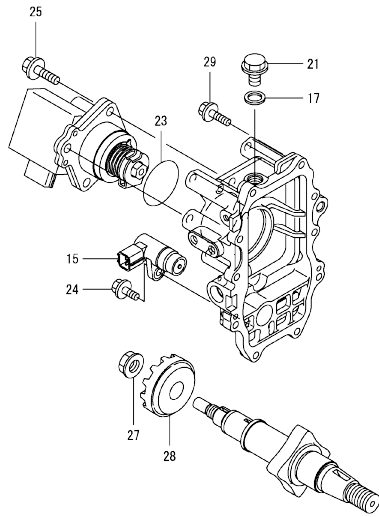
(D)=
(E)=
(F)=

No.	Lev.	Parts No.	Description	Q'ty					
				(A)	(B)	(C)	(D)	(E)	(F)
129	3	158552-52500	O-RING	1					
130	2	119934-59910	JOINT, PIPE	1					
131	2	22190-120002	WASHER, SEAL 12	1					
132	2	22217-050000	WASHER, SPRING 5	1					
133	2	26106-060122	BOLT, M6X 12 PLATED	1					
134	2	26716-050002	NUT, M5	1					
135	2	27241-160000	PLUG, 16	1					
137	1	129927-51250	RETAINER, PUMP	1					
138	1	26106-080202	BOLT, M8X 20 PLATED	3					
139	1	26106-080302	BOLT, M8X 30 PLATED	3					

Remarks

(1) GOVERNOR ASSY (FIG.14) IS INCORPORATED IN THIS FUEL INJECTION PUMP (REF.NO.1).
* ECO PUMP
MAKE SURE TO UPDATE THE ENGINES ECU INFORMATION WHEN REPLACING THE ECO PUMP.
FAILING TO DO SO WILL RESULT IN ENGINE MALFUNCTION.

Fig.14. GOVERNOR



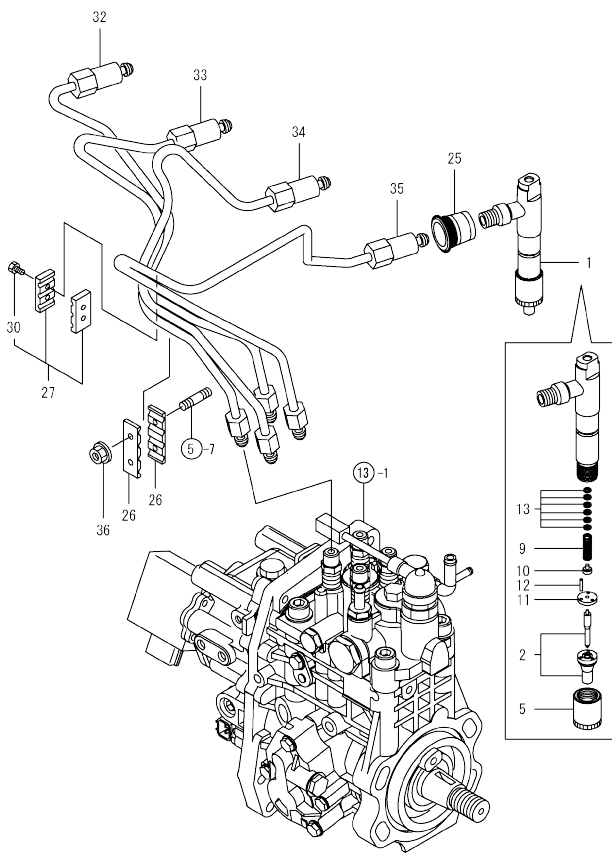
(A)=4TNV98T-ZGPGE
(B)=
(C)=

(D)=
(E)=
(F)=

No.	Lev.	Parts No.	Description	Q'ty						I	R
				(A)	(B)	(C)	(D)	(E)	(F)		
15	2	158557-61720	SENSOR	1							
17	2	22190-120000	WASHER, SEAL 12	1							
21	2	23887-120002	PLUG, 12	1							
23	2	24341-000480	O-RING, 1AS48.0	1							
24	2	26106-060162	BOLT, M6X 16 PLATED	1							
25	2	26106-080252	BOLT, M8X 25 PLATED	3							
27	2	129008-61301	NUT	1							
28	2	158553-61780	GEAR, SENSOR	1							
29	2	26106-060252	BOLT, M6X 25 PLATED	10							

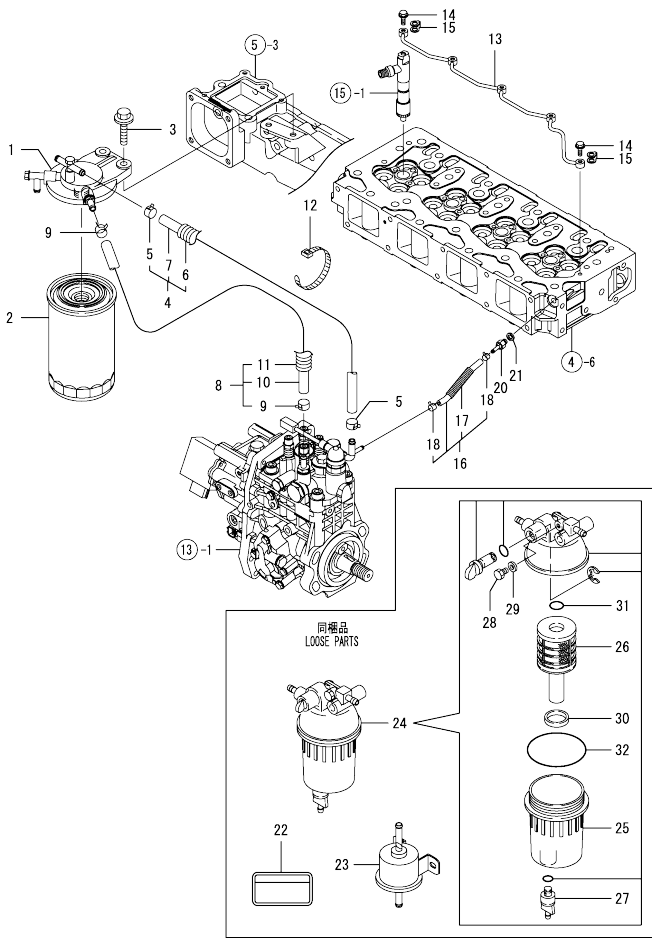
Remarks
* THIS FIGURE(GOVERNOR ASSY)IS
INCORPORATED IN THE FUEL INJECTION
PUMP ASSY(FIG.13).

Fig.15. FUEL INJECTION VALVE



No.	Lev.	Parts No.	Description	Q'ty						I	R
				(A)	(B)	(C)	(D)	(E)	(F)		
1	1	729928-53200	FUEL INJECTOR ASSY	4							
2	2	129509-53000	NOZZLE ASSY, F.I.	4							
5	2	114250-53080	NUT, NOZZLE	4							
9	2	114250-53120	SPRING, NOZZLE	4							
10	2	114250-53130	SEAT, SPRING	4							
11	2	114250-53140	SPACER	4							
12	2	114250-53210	PIN	8							
13	2	114250-53400	SHIM SET	4							
25	1	123907-11601	SEAL, PIPE	4							
26	1	123472-59120	RETAINER, PIPE	2							
27	1	129150-59120	RETAINER, PIPE	1							
30	2	129150-59131	BOLT, M4X14	2							
32	1	129927-59810	PIPE ASSY, INJECTION	1							
33	1	129927-59820	PIPE ASSY, INJECTION	1							
34	1	129927-59830	PIPE ASSY, INJECTION	1							
35	1	129927-59840	PIPE ASSY, INJECTION	1							
36	1	26366-060002	NUT, M6	2							

Fig.16. FUEL LINE

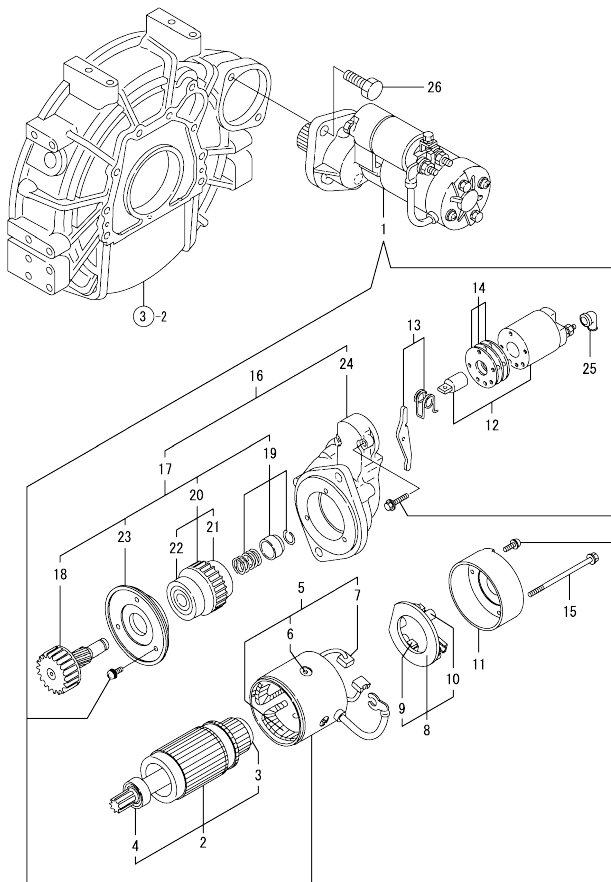


(A)=4TNV98T-ZGPGE
(B)=
(C)=

(D)=
(E)=
(F)=

No.	Lev.	Parts No.	Description	Q'ty						I	R
				(A)	(B)	(C)	(D)	(E)	(F)		
1	1	129004-55612	BRACKET, FILTER	1							
2	1	123907-55801	FILTER, FUEL	1							
3	1	26106-080302	BOLT, M8X 30 PLATED	2							
4	1	129457-59010	HOSE ASSY, FUEL	1							
5	2	124766-59050	CLAMP, HOSE 11.5	2							
6	2	129957-59120	TUBE, CORRUGATED 15	1							
7	2	105025-59750	HOSE, FUEL	1							
8	1	129961-59310	HOSE ASSY, FUEL	1							
9	2	124766-59050	CLAMP, HOSE 11.5	2							
10	2	129136-59110	HOSE, D13/7.5X270	1							
11	2	129961-59110	TUBE, CORRUGATED 15	1							
12	1	121750-59890	BAND, NYLON	1							
13	1	129907-59140	PIPE ASSY, RETURN	1							
14	1	123907-59540	BOLT, PIPE JOINT M6	5							
15	1	123907-59550	GASKET	5							
16	1	129927-59550	HOSE ASSY RETURN	1							
17	2	129263-49750	TUBE, CORRUGATED	1							
18	2	124722-59050	CLAMP, HOSE 9	2							
20	1	123907-59560	JOINT, HOSE	1							
21	1	22190-080002	WASHER, SEAL 6	1							
22	1	114110-07760	LABEL, FUEL CAUTION	1							
23	1	119225-52102	PUMP, FUEL FEED	1							
24	1	129242-55700	SEPARATOR ASSY, WATER	1							
25	2	129242-55720	CUP, SEPARATOR	1							
26	2	129242-55730	ELEMENT, FUEL	1							
27	2	129242-55740	PLUG, DRAIN	1							
28	2	129242-55750	VALVE, AIR VENT	1							
29	2	129242-55760	GASKET, PLUG	1							
30	2	129242-55770	FLOAT	1							
31	2	24311-000160	O-RING, 1AP16.0	1							
32	2	24321-000750	O-RING, 1AG75.0	1							

Fig.17. STARTING MOTOR

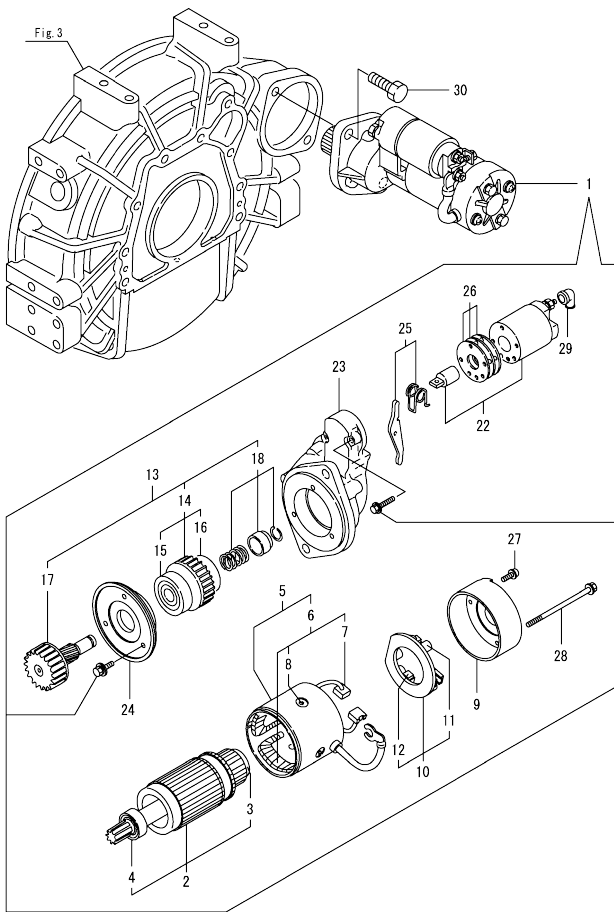


(A)=4TNV98T-ZGPGE
(B)=
(C)=

(D)=
(E)=
(F)=

No.	Lev.	Parts No.	Description	Q'ty					
				(A)	(B)	(C)	(D)	(E)	(F)
1	1	129900-77010	STARTER ASSY	1					
2	2	129900-77400	ARMATURE ASSY	1					
3	3	X2114155110	BEARING, BALL	1					
4	3	X2114255110	BEARING, BALL	1					
5	2	129900-77440	COIL ASSY, FIELD	1					
6	3	171008-77450	SCREW, CORE SET	4					
7	3	129900-77450	BRUSH	2					
8	2	129900-77480	HOLDER ASSY, BRUSH	1					
9	3	129900-77450	BRUSH	2					
10	3	X2130631300	SPRING, BRUSH	4					
11	2	129900-77460	COVER	1					
12	2	129900-77591	SWITCH ASSY, MAGNET	1					
13	2	129900-77620	LEVER SET	1					
14	2	129900-77650	COVER KIT, DUST	1					
15	2	129900-77640	BOLT, THROUGH	2					
16	2	129900-77700	CASE ASSY, GEAR	1					
17	3	129900-77510	PINION ASSY, W/CLUTCH	1					
18	4	129900-77540	SHAFT, PINION	1					
19	4	129900-77550	STOPPER SET, PINION	1					
20	4	129900-77520	CLUTCH ASSY	1					
21	5	171008-77730	BEARING, BALL	1					
22	5	171008-77740	BEARING, BALL	1					
23	4	129900-77610	RETAINER, BEARING	1					
24	3	129900-77710	CASE, GEAR	1					
25	2	171008-77750	COVER, TERMINAL	1					
26	1	26116-120302	BOLT, M12X 30 PLATED	2					

Fig.21. (17A)STARTING MOTOR

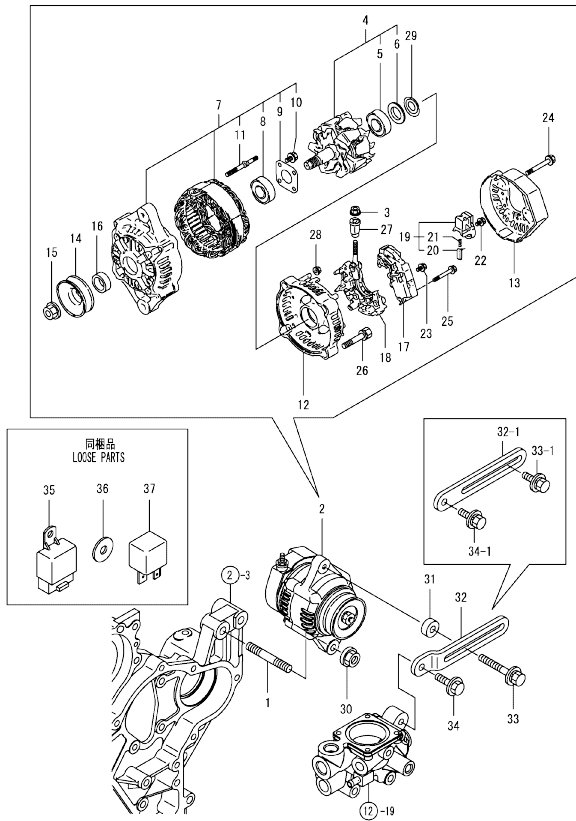


No.	Lev.	Parts No.	Description	Q'ty						I	R
				(A)	(B)	(C)	(D)	(E)	(F)		
1	1	129900-77040	STARTER ASSY	1							
2	2	129900-77120	ARMATURE ASSY	1							
3	3	171008-77410	BEARING, BALL	1							
4	3	171008-77420	BEARING, BALL	1							
5	2	129900-77130	YOKE ASSY	1							
6	3	129900-77140	COIL ASSY, FIELD	1							
7	4	129900-77450	BRUSH	2							
8	4	171008-77450	SCREW, CORE SET	4							
9	2	129900-77150	COVER	1							
10	2	129900-77160	HOLDER ASSY, BRUSH	1							
11	3	X2130631300	SPRING, BRUSH	4							
12	3	129900-77450	BRUSH	2							
13	2	129900-77170	CLUTCH ASSY	1							
14	3	129900-77180	CLUTCH ASSY	1							
15	4	129900-77190	BEARING, BALL	1							
16	4	X2114955020	BEARING, BALL	1							
17	3	129900-77270	SHAFT, PINION	1							
18	3	171008-77670	STOPPER SET, PINION	1							
22	2	129900-77280	SWITCH ASSY, MAGNET	1							
23	2	129900-77290	CASE, GEAR	1							
24	2	129900-77380	RETAINER, BEARING	1							
25	2	129900-77390	LEVER ASSY, SHIFT	1							
26	2	129900-77420	COVER KIT, DUST	1							
27	2	129900-77430	SCREW, M4X10	2							
28	2	129685-77640	BOLT, THROUGH	2							
29	2	171008-77750	COVER, TERMINAL	1							
30	1	26116-120302	BOLT, M12X 30 PLATED	2							

Fig.18. GENERATOR

(A)=4TNV98T-ZGPGE
(B)=
(C)=

(D)=
(E)=
(F)=

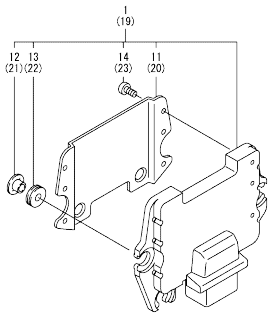


No.	Lev.	Parts No.	Description	Q'ty						I	R
				(A)	(B)	(C)	(D)	(E)	(F)		
1	1	129795-01900	BOLT, STUD M10X33	1							
2	1	129423-77200	GENERATOR ASSY, 40A	1							
3	2	X9490561001	NUT	1							
4	2	119620-77380	ROTOR ASSY	1							
5	3	123501-79240	BEARING, BALL	1							
6	3	119620-79250	COVER, BEARING	1							
7	2	119620-77421	FRAME ASSY,GENERATOR	1							
8	3	119620-79200	BEARING, BALL	1							
9	3	119620-79210	RETAINER	1							
10	3	119620-79220	SCREW	4							
11	3	119620-79230	BOLT, STUD	2							
12	2	119620-77440	FRAME ASSY	1							
13	2	129240-79300	COVER	1							
14	2	119620-77461	PULLEY, GENERATOR	1							
15	2	119620-77471	NUT	1							
16	2	119620-77490	COLLAR	1							
17	2	129423-77710	REGULATOR ASSY	1							
18	2	119620-79260	HOLDER	1							
19	2	129052-79270	HOLDER, BRUSH	1							
20	3	119620-77480	BRUSH	2							
21	3	119620-79280	SPRING	2							
22	2	119620-79290	SCREW	6							
23	2	119620-79300	SCREW	1							
24	2	119620-79310	BOLT	3							
25	2	119620-79320	SCREW	2							
26	2	119620-79330	BOLT	2							
27	2	119620-79340	BUSH, INSULATION	1							
28	2	119620-79350	NUT	2							
29	2	119620-79360	WASHER, THRUST	1							
30	1	26306-100002	NUT, M10	1							
31	1	119940-77270	SPACER	1							Z
		(A=EXXXXX)									
32	1	129972-77330	ADJUSTER, BELT	1							
32-1	1	129988-77330	ADJUSTER, BELT	1							S 1
		(A=EXXXXX)									
33	1	129972-77341	BOLT, ADJUST L=50	1							
33-1	1	119810-77340	BOLT, ADJUST L=30	1							S 1
		(A=EXXXXX)									
34	1	26106-080222	BOLT, M8X 22 PLATED	1							
34-1	1	26014-080252	BOLT, M8X 25	1							S 1
		(A=EXXXXX)									
35	1	198461-52950	RELAY, CA TYPE C	2							
36	1	129927-77690	WASHER, ECU	3							
37	1	129927-77920	RELAY, ISO 70A	1							

Remarks

(1) Interchangeable by simultaneous replacement with Ref.32-1, 33-1 and 34-1.

Fig.19. ELECTRONIC CONTROL UNIT (ECU)



(A)=4TNV98T-ZGPGE
(B)=
(C)=

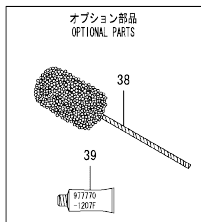
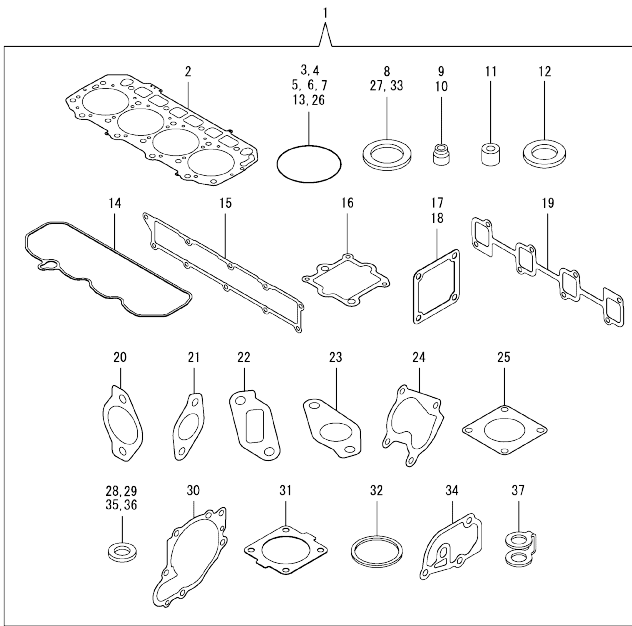
(D)=
(E)=
(F)=

No.	Lev.	Parts No.	Description	Q'ty						I	R	
				(A)	(B)	(C)	(D)	(E)	(F)			
1	1	129945-75100	CONTROLLER ASSY, EUC	1							1	
11	2	129927-77600	SHIELD, ECU	1								
12	2	129927-77680	COLLAR, CONTROL	3								
13	2	119578-91351	ABSORBER	3								
14	2	22877-500080	SCREW, 5X 8	6								
19	1	129927-75900	ECU ASSY, SERVICE	1								2
20	2	129927-77600	SHIELD, ECU	1								
21	2	129927-77680	COLLAR, CONTROL	3								
22	2	119578-91351	ABSORBER	3								
23	2	22877-500080	SCREW, 5X 8	6								

Remarks

(1)ECO ECU
THIS PART CANNOT BE ORDERED.
REPLACE THE PART USING A SERVICE
ECU WITH THE PROPER ENGINE
INFORMATION INSTALLED.
(2)SERVICE ECU
IF THE PROPER INFORMATION IS NOT
INSTALLED, THE ENGINE WILL NOT
OPERATE.
TO INSTALL PROPER INFORMATION,
GO TO AN AUTHORIZED DISTRIBUTOR.

Fig.20. GASKET SET



(A)=4TNV98T-ZGPGE
(B)=
(C)=

(D)=
(E)=
(F)=

No.	Lev.	Parts No.	Description	Qty						I	R	
				(A)	(B)	(C)	(D)	(E)	(F)			
1	1	729928-92690	GASKET SET	1							1	
2	2	129907-01331	GASKET, HEAD	1								
3	2	129900-32030	O-RING, P20	2								
4	2	129900-32040	O-RING, P14	1								
5	2	24311-000070	O-RING, 1AP7.0	1								
6	2	24351-030750	O-RING, 1A3075	1								
7	2	24311-000320	O-RING, 1AP32.0	2								
8	2	22190-220002	WASHER, SEAL 22	1								
9	2	119803-11340	SEAL, VALVE STEM	8								
10	2	124160-11340	SEAL, VALVE STEM	8								
11	2	119802-11870	PROTECTOR, NOZZLE	4								
12	2	119625-11880	SEAT, NOZZLE	4								
13	2	24311-000120	O-RING, 1AP12.0	8								
14	2	129933-11310	GASKET, BONNET	1								
15	2	129907-12110	GASKET, MANIFOLD	1								
16	2	129928-13720	GASKET	1								
17	2	119129-77020	GASKET	1								
18	2	121850-77021	GASKET, AIR HEATER	1								
19	2	129900-13251	GASKET, EXH.MANIFOLD	1								
20	2	129928-13410	GASKET	2								
21	2	129927-13810	GASKET	1								
22	2	129927-13910	GASKET, EGR	1								
23	2	129927-13920	GASKET, EGR	1								
24	2	123901-18080	GASKET	1								
25	2	129472-18090	GASKET	1								
26	2	24321-000600	O-RING, 1AG60.0	1								
27	2	22190-080002	WASHER, SEAL 6	9								
28	2	23414-100000	GASKET, 10X1.0	2								
29	2	129908-39690	GASKET	1								
30	2	129900-42020	GASKET, WATER PUMP	1								
31	2	121850-49540	GASKET, THERMOSTAT	1								
32	2	121850-49550	GASKET, THERMOSTAT	1								
33	2	22190-120002	WASHER, SEAL 12	1								
34	2	129900-49870	GASKET, THERMOSTAT	1								
35	2	23414-080000	GASKET, 8X1.0	1								
36	2	124465-44950	GASKET, 16	2								
37	2	123907-59550	GASKET	5								
38	1	129400-92450	HONE, FLEX	1								1
39	1	97770-1207F	GASKET, LIQUID	1								1

Remarks
(1) OPTIONAL PART.

Parts No. Index

Parts No.	Fig. No.	Ref. No.
105010-39140	11	8 -1
105025-59750	16	7
114110-07760	16	22
114250-53080	15	5
114250-53120	15	9
114250-53130	15	10
114250-53140	15	11
114250-53210	15	12
114250-53400	15	13
119000-01840	3	3
119000-39650	11	40
119005-77051	5	17
119100-11330	4	65
119129-77020	5	15
	20	17
119129-77520	5	18
119130-44760	12	17
119131-18320	8	3
119160-12530	5	30
119160-12540	5	31
119225-52102	16	23
119255-44660	12	69
119578-91351	19	13
		22
119593-11301	4	34
119620-11180	4	18
119620-77380	18	4
119620-77421	18	7
119620-77440	18	12
119620-77461	18	14
119620-77471	18	15
119620-77480	18	20
119620-77490	18	16
119620-79200	18	8
119620-79210	18	9
119620-79220	18	10
119620-79230	18	11
119620-79250	18	6
119620-79260	18	18
119620-79280	18	21
119620-79290	18	22
119620-79300	18	23
119620-79310	18	24
119620-79320	18	25
119620-79330	18	26
119620-79340	18	27
119620-79350	18	28
119620-79360	18	29
119625-11880	4	30
	20	12

Parts No.	Fig. No.	Ref. No.
119640-01640	3	7
119761-39450	11	1
119802-11870	4	29
	20	11
119802-13790	6	10
119802-51680	13	65
119802-51690	13	66
119803-11340	4	19
	20	9
119810-77340	18	33 -1
119852-51630	13	70
119852-51640	13	71
119852-51650	13	73
119934-59910	13	130
119940-77270	18	31
120130-22301	9	20
120445-44540	12	67
121252-39150	11	7
121450-42450	12	38
121520-34810	10	14
121750-59890	10	11
	16	12
	5	32
121820-12590	9	10
121850-21130	9	4
121850-21290	9	5
121850-21920	12	26
121850-49540	20	31
	12	28
121850-49550	20	32
	12	29
121850-49810	5	16
121850-77021	20	18
	15	26
123472-59120	18	5
123501-79240	6	6
123900-13630	7	9
123900-25060	6	24
123901-18080	20	24
	11	30
123901-39820	4	59
123907-03100	4	60
123907-03110	4	61
123907-03120	4	62
123907-03140	4	39
123907-11280	4	5
123907-11550	15	25
123907-11601	4	25
123907-11820	4	24
123907-11830	11	16
123907-39500		

Parts No.	Fig. No.	Ref. No.
123907-55801	16	2
123907-59540	16	14
123907-59550	16	15
	20	37
123907-59560	16	20
123910-39850	11	28
123910-49600	10	8
123910-49610	10	10
123912-33050	10	2
123912-33100	10	3
124070-13300	11	25
124160-01751	2	14
	4	54
124160-11340	4	20
	20	10
124160-11360	4	72
124223-39900	11	4
124411-01780	3	5
124465-44950	12	39
	20	36
124722-59050	16	18
124766-59050	16	5
		9
127410-21480	9	13
129001-91810	2	17
		25
129004-55612	16	1
129005-59830	11	8
	18	
129006-44480	10	5
129008-61301	14	27
129009-11340	4	66
129052-79270	18	19
129100-01580	2	1
	3	1
129107-44590	12	61
129136-59110	16	10
129150-02450	7	4
129150-11230	4	42
		46
129150-11750	4	23
		43
		47
129150-14200	7	1
129150-25920	7	13
129150-35153	10	16
129150-59120	15	27
129150-59131	15	30
129198-59540	11	8 -2
129240-79300	18	13

Parts No.	Fig. No.	Ref. No.
129242-55700	16	24
129242-55720	16	25
129242-55730	16	26
129242-55740	16	27
129242-55750	16	28
129242-55760	16	29
129242-55770	16	30
129263-49750	16	17
129263-77941	13	123
129400-92450	20	38
129410-03990	5	24
129418-18320	6	3
		4
129423-77200	18	2
129423-77710	18	17
129457-59010	16	4
129466-49300	10	7
129472-18090	8	2
	20	25
129508-44550	12	60
129509-03050	5	21
129509-12070	5	26
129509-53000	15	2
129509-79700	4	67
129657-51590	13	60
129657-51600	13	61
129685-77640	21	28
129795-01900	18	1
129900-01200	1	27
129900-01250	1	4
129900-01740	2	16
129900-01850	2	23
129900-01870	2	24
129900-02020	1	6
129900-02341	1	33
129900-02410	1	9
129900-02931	1	24
129900-02941	1	36
129900-13251	6	5
	20	19
129900-14100	7	6
129900-21200	9	3
129900-21640	9	8
129900-23001	9	22
129900-23200	9	25
129900-23601	9	26
129900-23611	9	29
129900-23911	9	28
129900-25100	7	10
129900-32030	2	6

Parts No. Index

Parts No.	Fig. No.	Ref. No.	Parts No.	Fig. No.	Ref. No.	Parts No.	Fig. No.	Ref. No.	Parts No.	Fig. No.	Ref. No.
129900-32030	10	17	129907-03070	4	58	129927-42000	12	1	129945-12080	5	27
	20	3	129907-07900	4	1	129927-42140	2	7 A	129945-12150	5	2
129900-32040	2	7	129907-11100	4	15	129927-44900	12	20	129945-18010	8	1
	20	4	129907-11110	4	16	129927-49610	12	40	129945-18210	5	11
129900-42020	12	11	129907-11120	4	17	129927-49620	12	44	129945-18220	5	12
	20	30	129907-11250	4	36	129927-51250	13	137	129945-75100	19	1
129900-42461	12	14	129907-11260	4	37	129927-51650	13	121	129948-07900	4	2
129900-49870	12	34	129907-11270	4	38	129927-51660	13	122	129948-13800	6	11
	20	34	129907-11341	4	35	129927-51670	13	125	129948-13810	6	13
129900-77010	17	1	129907-11510	4	21	129927-59550	16	16	129948-49610	12	49
129900-77040	21	1	129907-11650	4	40	129927-59810	15	32	129948-49620	12	53
129900-77120	21	2	129907-11660	4	44	129927-59820	15	33	129949-12560	5	33
129900-77130	21	5	129907-11800	4	28	129927-59830	15	34	129953-25300	7	15
129900-77140	21	6	129907-11910	4	31	129927-59840	15	35	129953-34830	10	15
129900-77150	21	9	129907-11920	4	48	129927-75900	19	19	129953-35000	10	18
129900-77160	21	10	129907-11950	4	32	129927-77600	19	11	129957-59120	16	6
129900-77170	21	13	129907-12110	5	1		20	20	129960-03990	12	50
129900-77180	21	14		20	15	129927-77680	19	12		54	
129900-77190	21	15	129907-14400	7	2		21	21	129960-21930	9	37
129900-77270	21	17	129907-21660	9	9	129927-77690	18	36	129960-21940	9	8 -1
129900-77280	21	22	129907-25900	7	16	129927-77920	18	37	129961-59110	16	11
129900-77290	21	23	129907-44560	12	68	129928-11700	4	6	129961-59310	16	8
129900-77380	21	24	129907-44600	12	62	129928-12100	5	3	129972-77330	18	32
129900-77390	21	25	129907-44610	12	63	129928-13100	6	2	129972-77341	18	33
129900-77400	17	2	129907-51560	13	55	129928-13150	6	1	129981-49050	12	70
129900-77420	21	26	129907-59140	16	13	129928-13400	6	7	129981-49062	12	71
129900-77430	21	27	129908-14581	7	3	129928-13410	6	8	129982-01710	3	6
129900-77440	17	5	129908-21000	9	1		9	9	129988-77330	18	32 -1
129900-77450	17	7	129908-32060	2	4		20	20	144626-51090	13	10
		9	129908-33010	10	1	129928-13710	5	4	158552-51571	13	56
	21	7	129908-33101	10	4	129928-13720	5	5	158552-51580	13	59
		12	129908-39410	11	34		20	16	158552-51670	13	126
129900-77460	17	11	129908-39690	11	29	129928-18200	5	10	158552-51781	13	98
129900-77480	17	8		20	29	129928-22080	9	14	158552-52100	13	128
129900-77510	17	17	129908-49060	10	6	129928-49400	12	21	158552-52310	13	106
129900-77520	17	20	129915-01610	3	2	129928-49410	12	22	158552-52400	13	107
129900-77540	17	18	129916-01800	2	22	129928-49420	12	48	158552-52500	13	129
129900-77550	17	19	129916-21610	9	7	129928-49800	12	19	158553-51670	13	64
129900-77591	17	12	129916-44740	12	16	129928-51390	13	22	158553-51680	13	76
129900-77610	17	23	129916-49530	12	25	129928-79700	12	57	158553-61780	14	28
129900-77620	17	13	129920-21580	9	11	129933-11310	4	64	158557-51570	13	57
129900-77640	17	15	129927-13810	6	12		20	14	158557-61720	14	15
129900-77650	17	14		20	21	129933-12500	5	28	158563-51150	7	17
129900-77700	17	16		6	19	129935-01500	2	3		13	13
129900-77710	17	24	129927-13900	6	20	129935-12520	5	29	158563-51281	13	20
129906-51580	13	58	129927-13910	20	22	129935-39040	11	2		21	
129907-01331	1	28	129927-13920	6	21	129935-39610	11	26	158563-51330	13	32
	20	2		20	23	129940-44500	12	59	158600-51270	13	19
129907-03011	4	56	129927-22050	9	16	129945-03080	5	22	158601-51550	13	54
129907-03061	4	57	129927-39060	11	14	129945-11320	4	55	158601-51650	13	124

Parts No. Index

Parts No.	Fig. No.	Ref. No.
158601-51770	13	97
158601-51790	13	99
171008-77410	21	3
171008-77420	21	4
171008-77450	17	6
	21	8
171008-77670	21	18
171008-77730	17	21
171008-77740	17	22
171008-77750	17	25
	21	29
171051-01921	1	5
171056-49120	10	25
198461-52950	18	35
22190-080002	11	9
	11	
	11	-1
	19	
	21	
	23	
	16	21
	20	27
22190-120000	14	17
22190-120002	12	31
	13	101
		108
		131
	20	33
22190-180002	13	102
22190-220002	3	9
	20	8
22217-050000	13	132
22217-180000	7	18
	13	109
22252-000300	9	21
22312-050140	13	110
22351-030010	11	41
22351-050010	13	111
22351-060012	1	10
22512-070140	7	7
	9	6
22857-500100	4	68
		69
		70
22877-500080	19	14
		23
23000-025000	10	12
	11	31
23000-054000	5	13
23000-060000	5	34

Parts No.	Fig. No.	Ref. No.
23000-070000	5	14 -1
		35
23000-080000	5	14
23000-090000	5	36
23010-060000	12	72
23080-012000	12	43
		47
23414-080000	12	35
	20	35
23414-100000	11	12
	20	28
23857-030000	11	10
		20
23875-030000	12	23
		32
23876-020000	4	12
23876-030000	1	11
		12
		13
		29
	4	13
23887-120002	13	103
	14	21
24311-000070	2	8
	13	112
	20	5
24311-000120	4	33
		73
	20	13
24311-000160	16	31
24311-000320	2	15
	4	74
	20	7
24321-000600	10	13
	20	26
24321-000750	16	32
24341-000480	14	23
24351-030750	2	9
	20	6
24356-010200	13	67
		113
24356-020210	13	114
24372-000150	13	68
25132-004100	12	15
26014-060122	12	64
26014-080252	18	34 -1
26106-060102	13	115
26106-060122	4	71
	13	133
26106-060162	11	32

Parts No.	Fig. No.	Ref. No.
26106-060162	14	24
26106-060202	5	6
	12	33
26106-060252	14	29
26106-060302	12	12
26106-060352	13	116
26106-080122	3	10
	10	23
	11	13
		22
		24
		33
	12	36
		58
26106-080162	2	10
		18
		26
	4	3
	7	8
	10	24
26106-080202	2	11
	4	4
	13	138
26106-080222	18	34
26106-080252	14	25
26106-080302	12	18
	13	139
	16	3
26106-080352	6	14
26106-080402	2	19
		27
	4	50
	5	19
26106-080452	2	12
	5	8
	6	15
26106-080552	6	16
	7	14
	12	13
26106-080602	4	51
		52
	12	37
26106-080802	5	9
26106-080902	5	20
26106-100252	6	17
26106-100402	6	22
26106-101052	6	23
26116-120302	17	26
	21	30
26206-100352	3	4

Parts No.	Fig. No.	Ref. No.
26216-060202	5	7
26216-100302	2	5
26226-080222	4	49
26306-080002	4	53
	6	18
	8	4
26306-100002	2	13
	18	30
26366-060002	15	36
26450-100452	13	117
26716-050002	13	134
26776-180002	7	19
	13	118
	13	135
27241-160000	1	14
27241-300000	4	14
27241-400000	4	26
27310-070001	12	65
720445-44200	1	30
729900-02801	2	20
729907-01559	9	33
729927-22950	1	1
729928-01560	9	31
729928-22900	15	1
729928-53200	20	1
729928-92690	13	1
729945-51390	20	39
977770-1207F	17	3
X2114155110	17	4
X2114255110	21	16
X2114955020	17	10
X2130631300	21	11
X9490561001	18	3