

0CW10-M50200EN

P R E F A C E

1. This parts catalog is the 1st edition of 4TNV98T-ZNTG for EAGLE TUGS.

Pub.No. : 0CW10-G50200

Published : June, 2009

2. Model name

Engine model	Vehicle	Vehicle made by
4TNV98T-ZNTG	TOW TRACTORS	EAGLE TUGS

Contents

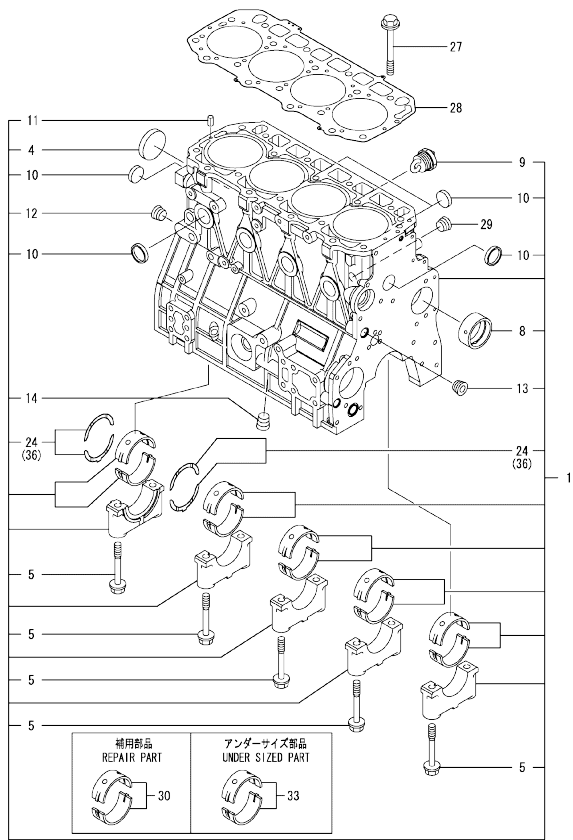
0CW10-M50200

Fig. No.	Fig. Name	Fig. No.	Fig. Name
4TNV98T-ZNTG			
1.	CYLINDER BLOCK		
2.	GEAR HOUSING		
3.	OIL SUMP		
4.	CYLINDER HEAD & BONNET		
5.	SUCTION MANIFOLD		
6.	EXHAUST MANIFOLD		
7.	CAMSHAFT & DRIVING GEAR		
8.	TURBINE		
9.	CRANKSHAFT & PISTON		
10.	LUB.OIL SYSTEM		
11.	LUB.OIL LINE		
12.	COOLING WATER SYSTEM		
13.	FUEL INJECTION PUMP		
14.	GOVERNOR		
15.	FUEL INJECTION VALVE		
16.	FUEL LINE		
17.	STARTING MOTOR		
18.	GENERATOR		
19.	ELECTRONIC CONTROL UNIT (ECU)		
20.	GASKET SET		

Fig.1. CYLINDER BLOCK

(A)=4TNV98T-ZNTG
(B)=
(C)=

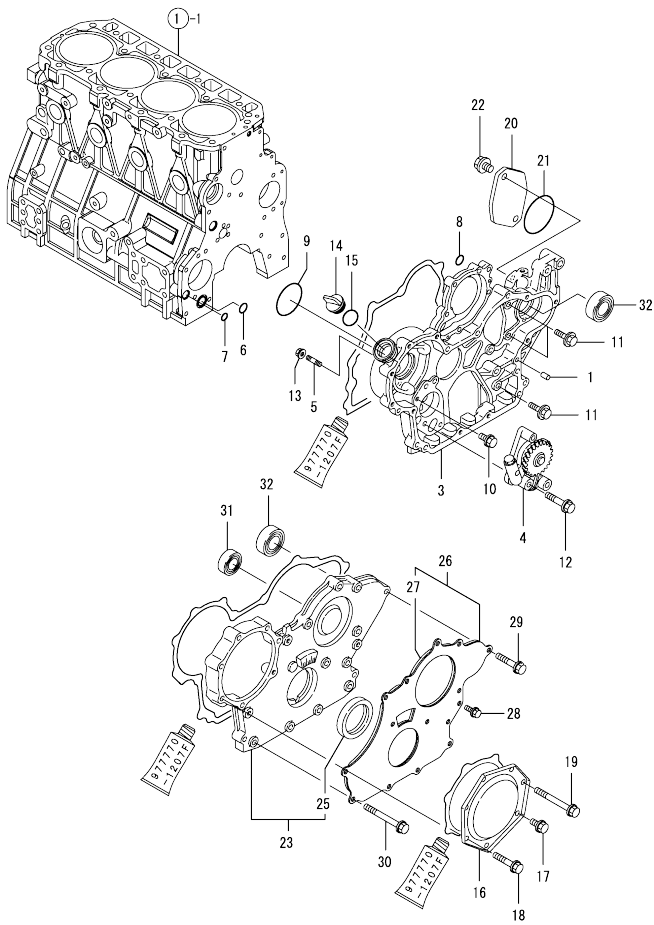
(D)=
(E)=
(F)=



No.	Lev.	Parts No.	Description	Q'ty						I	R
				(A)	(B)	(C)	(D)	(E)	(F)		
1	1	729948-01560	BLOCK ASSY, CYLINDER	1							
4	2	129900-01250	PLUG, DISH TYPE 55	1							
5	2	129900-02020	BOLT, METAL CAP	10							
8	2	129900-02410	BUSH, CAMSHAFT	1							
9	2	171015-77900	HEATER, BLOCK	1							
10	2	27241-300000	PLUG 30	8							
11	2	22351-060012	PIN, SPRING 6.0X12	2							
12	2	23876-030000	PLUG, R03	1							
13	2	23876-030000	PLUG, R03	1							
14	2	23876-030000	PLUG, R03	1							
24	2	129900-02931	BEARING ASSY, THRUST	2							
27	1	129900-01200	BOLT, CYLINDER HEAD	18							
28	1	129907-01331	GASKET, HEAD	1							
29	1	23876-030000	PLUG, R03	1							
30	1	729900-02801	BEARING, MAIN	5							1
33	1	129900-02341	BEARING ASSY, MAIN	5							2
36	1	129900-02941	BEARING, THRUST 0.25	2							3

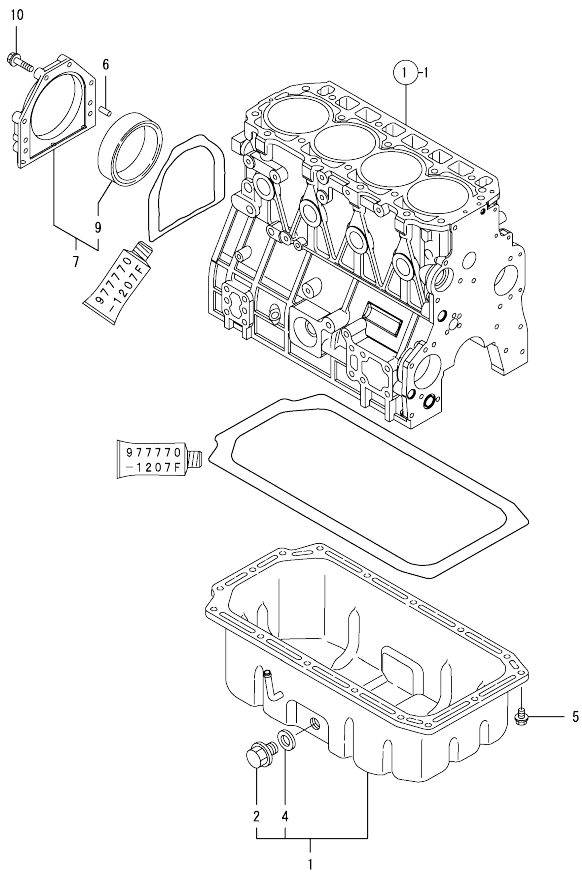
Remarks
(1) REPAIR PART.
(2) UNDER-SIZED(U.S=0.25)PART.
(3) OVER-SIZED(O.S=0.25)PART.

Fig.2. GEAR HOUSING



No.	Lev.	Parts No.	Description	Qty						I	R
				(A)	(B)	(C)	(D)	(E)	(F)		
1	1	129100-01580	PIN, PARALLEL 8X16	4							
3	1	129933-01500	CASE, GEAR	1							
4	1	129908-32060	PUMP ASSY, OIL	1							
5	1	26216-100302	STUD, M10X 30	4							
6	1	129900-32030	O-RING, P20	1							
7	1	129900-32040	O-RING, P14	1							
8	1	24311-000070	O-RING, 1AP7.0	1							
9	1	24351-030750	O-RING, 1A3075	1							
10	1	26106-080162	BOLT, M8X 16 PLATED	1							
11	1	26106-080202	BOLT, M8X 20 PLATED	3							
12	1	26106-080452	BOLT, M8X 45 PLATED	3							
13	1	26306-100002	NUT, M10	4							
14	1	124160-01751	CAP, FILLER	1							
15	1	24311-000320	O-RING, 1AP32.0	1							
16	1	129900-01740	COVER	1							
17	1	26106-080162	BOLT, M8X 16 PLATED	1							
18	1	26106-080402	BOLT, M8X 40 PLATED	5							
19	1	26106-080702	BOLT, M8X 70 PLATED	1							
20	1	121023-26070	COVER, PUMP	1							
21	1	24321-000850	O-RING, 1AG85.0	1							
22	1	26106-100202	BOLT, M10X 20 PLATED	2							
23	1	729906-01550	COVER ASSY,GEAR CASE	1							
25	2	129916-01800	SEAL, OIL	1							
26	1	129900-01850	COVER ASSY,GEAR CASE	1							
27	2	129900-01870	SPONGE, GEAR CASE	1							
28	1	26106-080162	BOLT, M8X 16 PLATED	3							
29	1	26106-080402	BOLT, M8X 40 PLATED	5							
30	1	26106-080702	BOLT, M8X 70 PLATED	6							
31	1	129900-14140	BEARING, BALL 6205	1							
32	1	129900-26250	BEARING, BALL 6206C3	2							

Fig.3. OIL SUMP

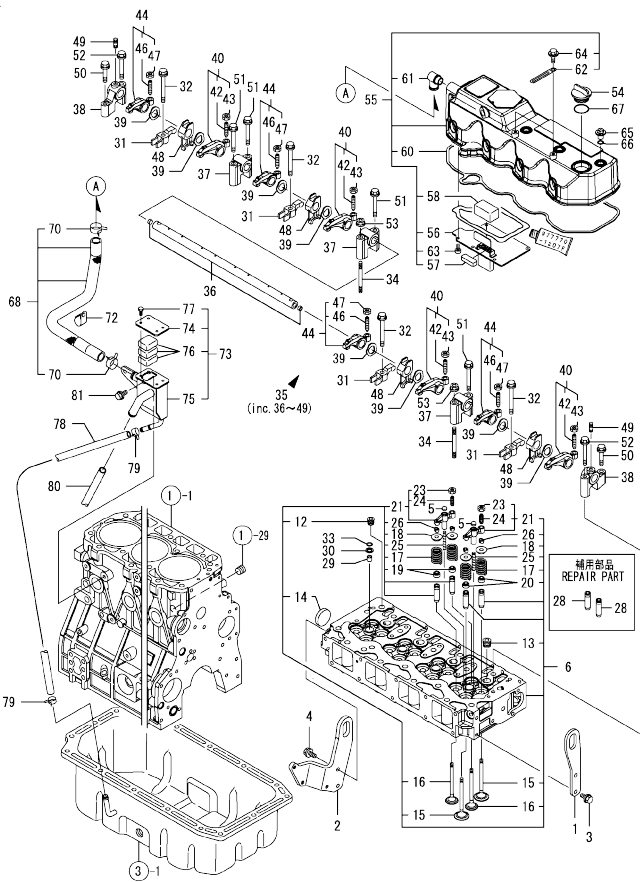


(A)=4TNV98T-ZNTG
(B)=
(C)=

(D)=
(E)=
(F)=

No.	Lev.	Parts No.	Description	Q'ty						I	R
				(A)	(B)	(C)	(D)	(E)	(F)		
1	1	129949-01710	SUMP ASSY, OIL	1							
2	2	119640-01640	PLUG, DRAIN M22	1							
4	2	22190-220002	WASHER, SEAL Z2	1							
5	1	26106-080122	BOLT, M8X 12 PLATED	16							
6	1	129100-01580	PIN, PARALLEL 8X16	2							
7	1	129966-01640	CASE ASSY, OIL SEAL	1							
7-1	1	129966-01650	CASE ASSY, OIL SEAL	1							N
(A=EZZZZZ)											
9	2	129916-01790	SEAL, D115/95XT11	1							
10	1	129486-01670	BOLT, M8X30	6							

Fig.4. CYLINDER HEAD & BONNET



(A)=4TNV98T-ZNTG
(B)=
(C)=

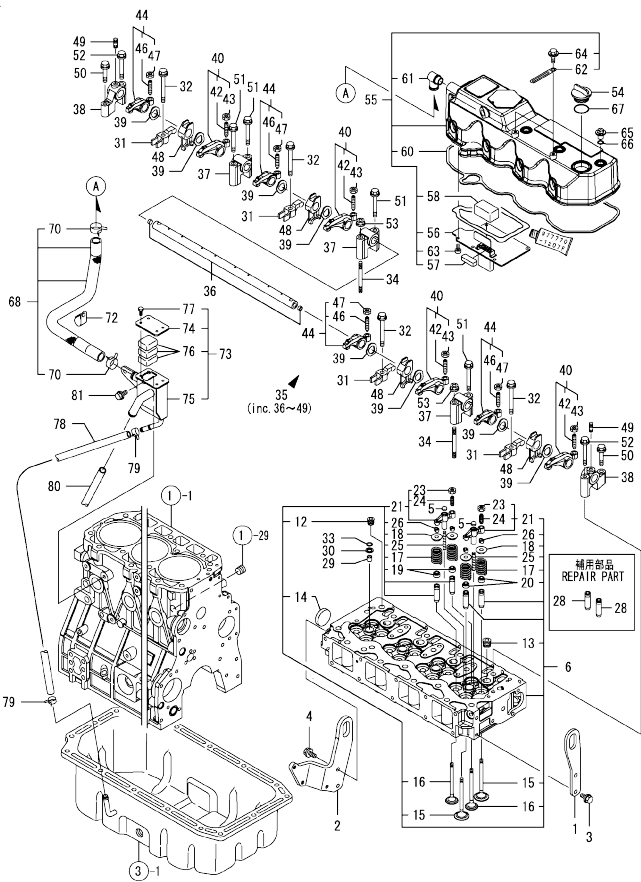
(D)=
(E)=
(F)=

No.	Lev.	Parts No.	Description	Q'ty						I	R
				(A)	(B)	(C)	(D)	(E)	(F)		
1	1	129907-07900	LIFTER, ENGINE	1							
2	1	129948-07900	LIFTER, ENGINE	1							
3	1	26106-080162	BOLT, M8X 16 PLATED	2							
4	1	26106-080202	BOLT, M8X 20 PLATED	2							
5	1	123907-11550	SEAT, VALVE BRIDGE	8							
6	1	129928-11700	HEAD ASSY, CYLINDER	1							
12	2	23876-020000	PLUG, R02	1							
13	2	23876-030000	PLUG, R03	4							
14	2	27241-400000	PLUG, 40	1							
15	2	129907-11100	VALVE, SUCTION	8							
16	2	129907-11110	VALVE, EXHAUST	8							
17	2	129907-11120	SPRING, VALVE	16							
18	2	119620-11180	RETAINER, SPRING	16							
19	2	119803-11340	SEAL, VALVE STEM	8							
20	2	124160-11340	SEAL, VALVE STEM	8							
21	2	129907-11510	BRIDGE ASSY, VALVE	8							
23	3	129150-11750	NUT, M8	8							
24	3	123907-11830	ADJUSTER	8							
25	2	123907-11820	GUIDE, BRIDGE	8							
26	2	27310-070001	COTTER, 7	16							
28	1	129907-11800	GUIDE, VALVE	16							1
29	1	119802-11870	PROTECTOR, NOZZLE	4							
30	1	119625-11880	SEAT, NOZZLE	4							
31	1	129907-11910	RETAINER, NOZZLE	4							
32	1	129907-11950	BOLT, M8X75	4							
33	1	24311-000120	O-RING, 1AP12.0	4							
34	1	119593-11301	BOLT, STUD M8X80	2							
35	1	129907-11341	SHAFT ASSY, ROCKER	1							
36	2	129907-11250	SHAFT, ROCKER ARM	1							
37	2	129907-11260	SUPPORT, ROCKER ARM	3							
38	2	129907-11270	SUPPORT, ROCKER ARM	2							
39	2	123907-11280	WASHER	8							
40	2	129907-11650	ARM ASSY, ROCKER	4							
42	3	129150-11230	SCREW, VALVE ADJUST	4							
43	3	129150-11750	NUT, M8	4							
44	2	129907-11660	ARM ASSY, ROCKER	4							
46	3	129150-11230	SCREW, VALVE ADJUST	4							
47	3	129150-11750	NUT, M8	4							
48	2	129907-11920	RETAINER, NOZZLE	4							
49	2	26226-080222	STUD, M8X 22	2							
50	1	26106-080402	BOLT, M8X 40 PLATED	2							
51	1	26106-080602	BOLT, M8X 60 PLATED	4							
52	1	26106-080602	BOLT, M8X 60 PLATED	2							
53	1	26306-080002	NUT, M8	2							
54	1	124160-01751	CAP, FILLER	1							
55	1	129948-11300	BONNET ASSY, HEAD	1							
56	2	129907-03011	PLATE, BAFFLE	1							
57	2	129907-03061	BAFFLE, BREATHER	1							
58	2	129907-03070	BAFFLE, BREATHER	1							
60	2	129933-11310	GASKET, BONNET	1							
61	2	119100-11330	ELBOW, BREATHER	1							

Remarks
(1) REPAIR PART.

N:Old $\frac{New}{Old}$ New, Q:Old $\frac{New}{Old}$ New, R:Old $\frac{New}{Old}$ New, S:Old $\frac{New}{Old}$ New, W:Add, Z:Discontinued, F:Interchangeable by set, K:Q'ty Change
++ CONTINUE ++
Copyright (C) YANMAR GLOBAL CS CO., LTD. All Rights Reserved.

Fig.4. CYLINDER HEAD & BONNET



(A)=4TNV98T-ZNTG
(B)=
(C)=

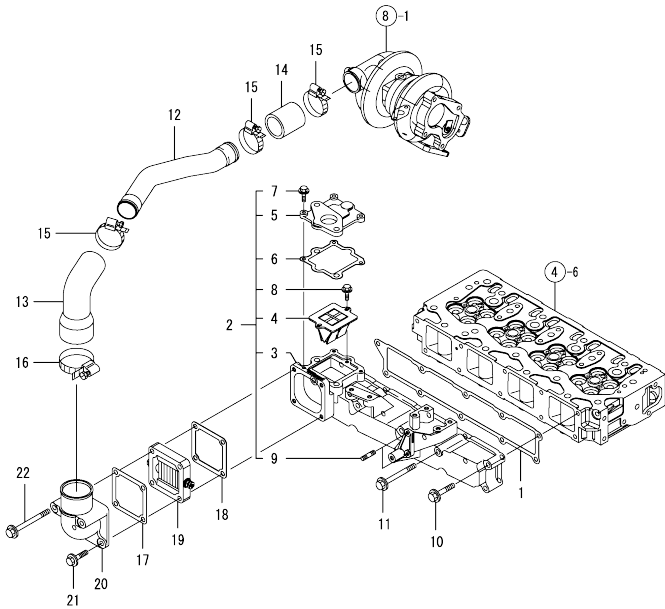
(D)=
(E)=
(F)=

No.	Lev.	Parts No.	Description	Q'ty						I	R
				(A)	(B)	(C)	(D)	(E)	(F)		
62	2	129509-79700	CLAMP, 140-M6								
63	2	22857-500100	SCREW, 5X10								
64	2	26106-060122	BOLT, M6X 12 PLATED								
65	1	124160-11360	KNOB								
66	1	24311-000120	O-RING, 1AP12.0								
67	1	24311-000320	O-RING, 1AP32.0								
68	1	129948-03080	HOSE ASSY, BREATHER								
70	2	129410-03990	CLAMP, HOSE 21.5								
72	1	129150-03100	RETAINER, PIPE								
73	1	129972-03240	SEPARATOR ASSY, MIST								
74	2	129972-03220	COVER, SEPARATOR								
75	2	129972-03230	SEPARATOR, MIST								
76	2	123901-03240	FILTER								
77	2	26116-050102	BOLT, M5X 10 PLATED								
78	1	123912-03250	HOSE								
79	1	23000-022000	CLAMP, 22								
80	1	23065-160250	PIPE, 16X 250								
81	1	26106-080142	BOLT, M8X 14 PLATED								

Remarks
(1) REPAIR PART.

N:Old $\frac{100}{100}$ New, Q:Old $\frac{100}{100}$ New, R:Old $\frac{100}{100}$ New, S:Old $\frac{100}{100}$ New, W:Add, Z:Discontinued, F:Interchangeable by set, K:Qty Change
Copyright (C) YANMAR GLOBAL CS CO., LTD. All Rights Reserved.

Fig.5. SUCTION MANIFOLD

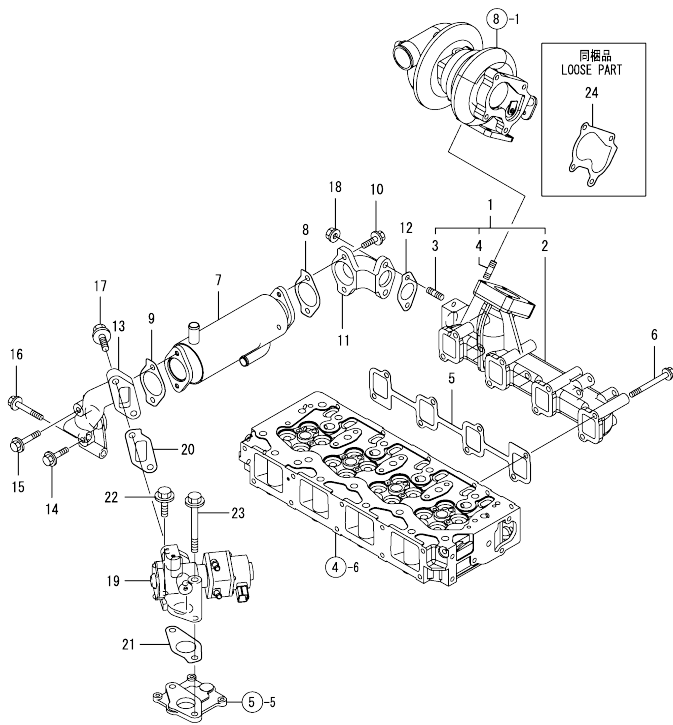


(A)=4TNV98T-ZNTG
(B)=
(C)=

(D)=
(E)=
(F)=

No.	Lev.	Parts No.	Description	Q'ty						I	R
				(A)	(B)	(C)	(D)	(E)	(F)		
1	1	129907-12110	GASKET, MANIFOLD	1							
2	1	129928-12150	MANIFOLD ASSY,INTAKE	1							
3	2	129928-12100	MANIFOLD, AIR INTAKE	1							
4	2	129928-13700	VALVE, LEAD	1							
5	2	129928-13710	SPACER, EGR VALVE	1							
6	2	129928-13720	GASKET	1							
7	2	26106-060202	BOLT, M6X 20 PLATED	3							
8	2	26106-060202	BOLT, M6X 20 PLATED	2							
9	2	26216-060202	STUD, M6X 20	2							
10	1	26106-080452	BOLT, M8X 45 PLATED	6							
11	1	26106-080802	BOLT, M8X 80 PLATED	4							
12	1	129928-18200	DUCT, AIR	1							
13	1	129974-18210	JOINT, RUBBER	1							
14	1	123951-18220	JOINT, RUBBER	1							
15	1	23000-054000	CLAMP, 54	3							
16	1	23000-080000	CLAMP, 80	1							
17	1	119129-77020	GASKET	1							
18	1	121850-77021	GASKET, AIR HEATER	1							
19	1	119005-77051	HEATER, AIR	1							
20	1	119129-77520	BEND	1							
21	1	26106-080402	BOLT, M8X 40 PLATED	2							
22	1	26106-080902	BOLT, M8X 90 PLATED	2							

Fig.6. EXHAUST MANIFOLD

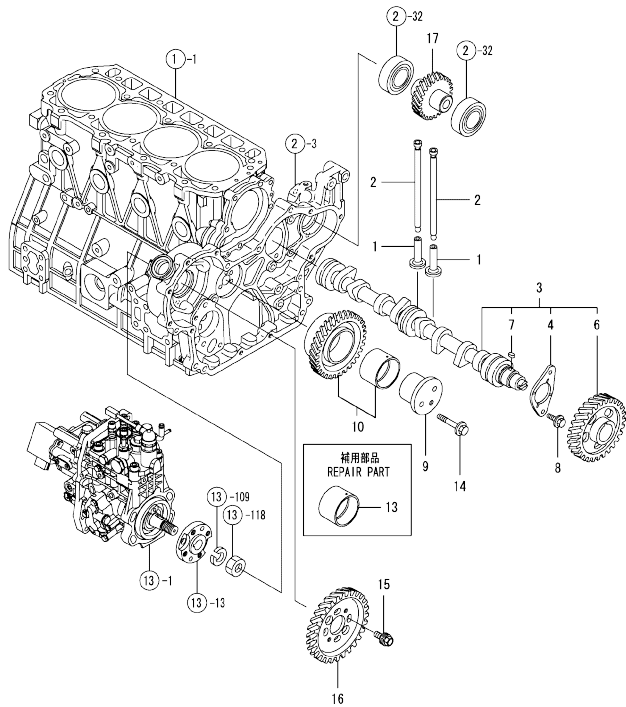


(A)=4TNV98T-ZNTG
(B)=
(C)=

(D)=
(E)=
(F)=

No.	Lev.	Parts No.	Description	Q'ty						I	R
				(A)	(B)	(C)	(D)	(E)	(F)		
1	1	129928-13150	MANIFOLD ASSY, EXH.	1							
2	2	129928-13100	MANIFOLD, EXHAUST	1							
3	2	129418-18320	BOLT, STUD M8X20	2							
4	2	129418-18320	BOLT, STUD M8X20	4							
5	1	129900-13251	GASKET, EXH.MANIFOLD	1							
6	1	123900-13630	BOLT, M8X80	8							
7	1	129928-13400	COOLER ASSY, EGR	1							
8	1	129928-13410	GASKET	1							
9	1	129928-13410	GASKET	1							
10	1	119802-13790	BOLT, M8X25 10.9T	2							
11	1	129948-13800	PIPE, EGR IN	1							
12	1	129927-13810	GASKET	1							
13	1	129948-13810	PIPE, EGR IN	1							
14	1	26106-080352	BOLT, M8X 35 PLATED	1							
15	1	26106-080452	BOLT, M8X 45 PLATED	1							
16	1	26106-080552	BOLT, M8X 55 PLATED	2							
17	1	26106-100252	BOLT, M10X 25 PLATED	2							
18	1	26306-080002	NUT, M8	2							
19	1	129927-13900	VALVE, EGR	1							
20	1	129927-13910	GASKET, EGR	1							
21	1	129927-13920	GASKET, EGR	1							
22	1	26106-100402	BOLT, M10X 40 PLATED	1							
23	1	26106-101052	BOLT, M10X105 PLATED	1							
24	1	123901-18080	GASKET	1							

Fig.7. CAMSHAFT & DRIVING GEAR



(A)=4TNV98T-ZNTG
(B)=
(C)=

(D)=
(E)=
(F)=

No.	Lev.	Parts No.	Description	Q'ty						I	R
				(A)	(B)	(C)	(D)	(E)	(F)		
1	1	129150-14200	TAPPET	8							
2	1	129907-14400	PUSH-ROD	8							
3	1	129908-14590	CAMSHAFT ASSY	1							
4	2	129150-02450	BEARING, THRUST	1							
6	2	129900-14110	GEAR, CAMSHAFT	1							
7	2	22512-070140	KEY, 7X 14	1							
8	1	26106-080162	BOLT, M8X 16 PLATED	2							
9	1	123900-25060	SHAFT, IDLE GEAR	1							
10	1	129900-25110	GEAR ASSY, IDLE	1							
13	1	129150-25920	BUSH, IDLE GEAR	1							1
14	1	26106-080552	BOLT, M8X 55 PLATED	3							
15	1	129953-25300	BOLT	4							
16	1	129907-25900	GEAR, PUMP	1							
17	1	129900-26030	GEAR ASSY, PUMP	1							

Remarks
(1) REPAIR PART.

Fig.8. TURBINE

(A)=4TNV98T-ZNTG
(B)=
(C)=

(D)=
(E)=
(F)=

No.	Lev.	Parts No.	Description	Q'ty						I	R
				(A)	(B)	(C)	(D)	(E)	(F)		
1	1	129935-18010	TURBOCHARGER, RHF5	1							
2	1	129472-18090	GASKET	1							
3	1	119131-18320	BOLT, STUD M8X22	4							
4	1	26306-080002	NUT, M8	4							

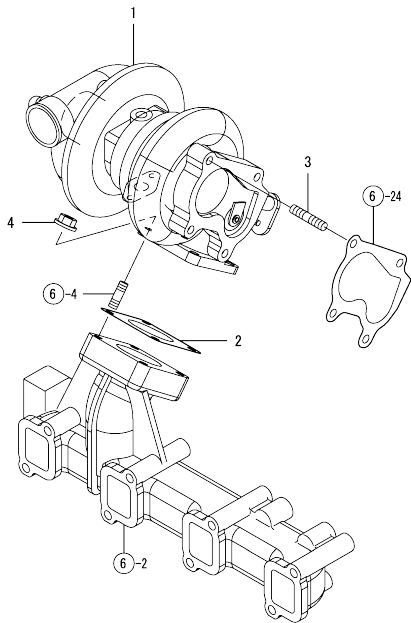
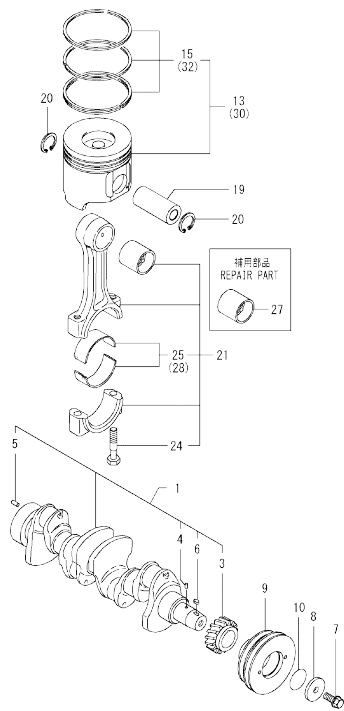


Fig.9. CRANKSHAFT & PISTON



(A)=4TNV98T-ZNTG
(B)=
(C)=

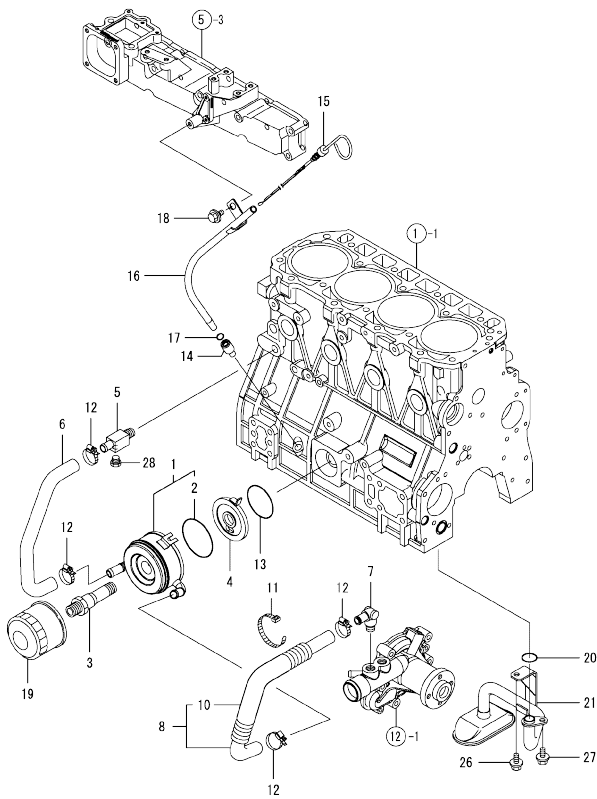
(D)=
(E)=
(F)=

No.	Lev.	Parts No.	Description	Q'ty						I	R
				(A)	(B)	(C)	(D)	(E)	(F)		
1	1	129908-21100	CRANKSHAFT ASSY	1							
3	2	129900-21220	GEAR, CRANKSHAFT	1							
4	2	121850-21290	PIN	1							
5	2	121850-21920	PIN, PARALLEL 10X22	1							
6	2	22512-070140	KEY, 7X 14	1							
7	1	129916-21610	BOLT	1							
8	1	129960-21640	WASHER	1							
9	1	129916-21650	V-PULLEY, CRANKSHAFT	1							
10	1	24341-000530	O-RING, 1AS53.0	1							
13	1	129928-22080	PISTON ASSY	4							
15	2	129927-22050	RING SET, PISTON	4							
19	1	120130-22301	PIN, PISTON	4							
20	1	22252-000300	RING, 30	8							
21	1	129900-23001	ROD ASSY, CONNECTING	4							
24	2	129900-23200	BOLT, CONNECTING ROD	8							
25	2	129900-23601	BEARING, CRANK PIN	4							
27	1	129900-23911	BEARING, PISTON PIN	4							1
28	1	129900-23611	BEARING ASSY, 0.25US	4							2
30	1	729928-22900	PISTON ASSY, 0.25 OS	4							3
32	2	729927-22950	RING SET, 0.25 OS	4							3

Remarks

- (1) REPAIR PART.
- (2) UNDER-SIZED(U.S=0.25)PART.
- (3) OVER-SIZED(O.S=0.25)PART.

Fig.10. LUB.OIL SYSTEM



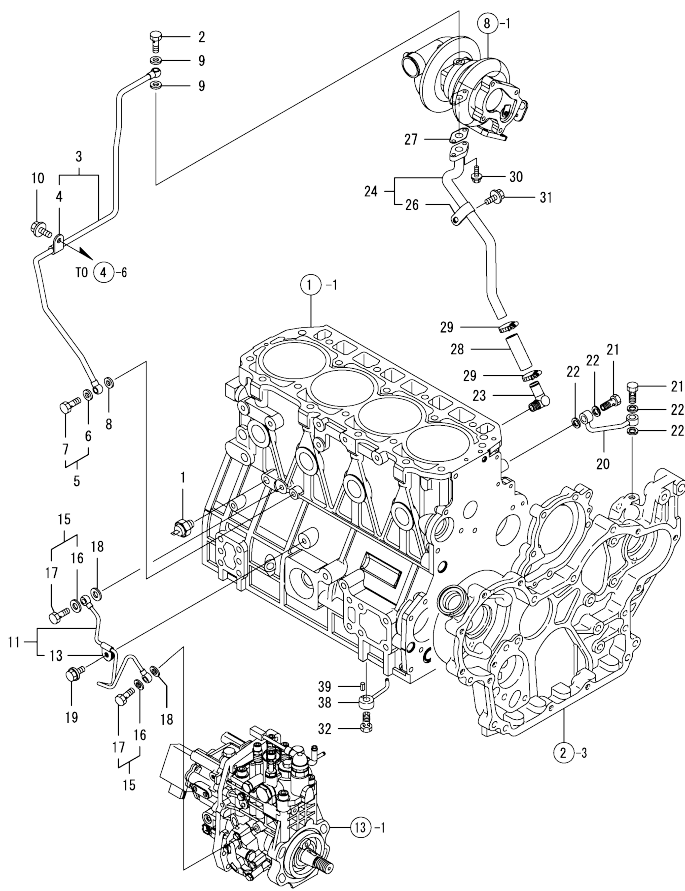
(A)=4TNV98T-ZNTG
(B)=
(C)=

(D)=
(E)=
(F)=

No.	Lev.	Parts No.	Description	Q'ty						I	R	
				(A)	(B)	(C)	(D)	(E)	(F)			
1	1	129908-33010	COOLER ASSY, OIL	1								
2	2	123912-33050	O-RING	1								
3	1	123912-33100	BOLT, COOLER	1								
4	1	129908-33101	BRACKET, OIL COOLER	1								
5	1	129006-44480	JOINT	1								
6	1	129908-49060	HOSE, WATER	1								
7	1	129466-49300	ELBOW, PT3/8	1								
8	1	123910-49600	HOSE ASSY WATER	1								
10	2	123910-49610	TUBE, CORRUGATED	1								
11	1	121750-59890	BAND, NYLON	1								
12	1	23000-025000	CLAMP, 25	4								
13	1	24321-000600	O-RING, 1AG60.0	1								
14	1	119260-34810	GUIDE, DIPSTICK	1								
15	1	129907-34811	DIPSTICK	1								
16	1	129928-34850	GUIDE, DIPSTICK	1								
17	1	24316-240100	O-RING, 4DP10A	1								
18	1	26106-080162	BOLT, M8X 16 PLATED	1								
19	1	129150-35153	FILTER ASSY, D80X80L	1								1
20	1	129900-32030	O-RING, P20	1								
21	1	129953-35000	PIPE ASSY, OIL INLET	1								
26	1	26106-080122	BOLT, M8X 12 PLATED	1								
27	1	26106-080162	BOLT, M8X 16 PLATED	1								
28	1	171056-49120	PLUG, DRAIN R1/4	1								

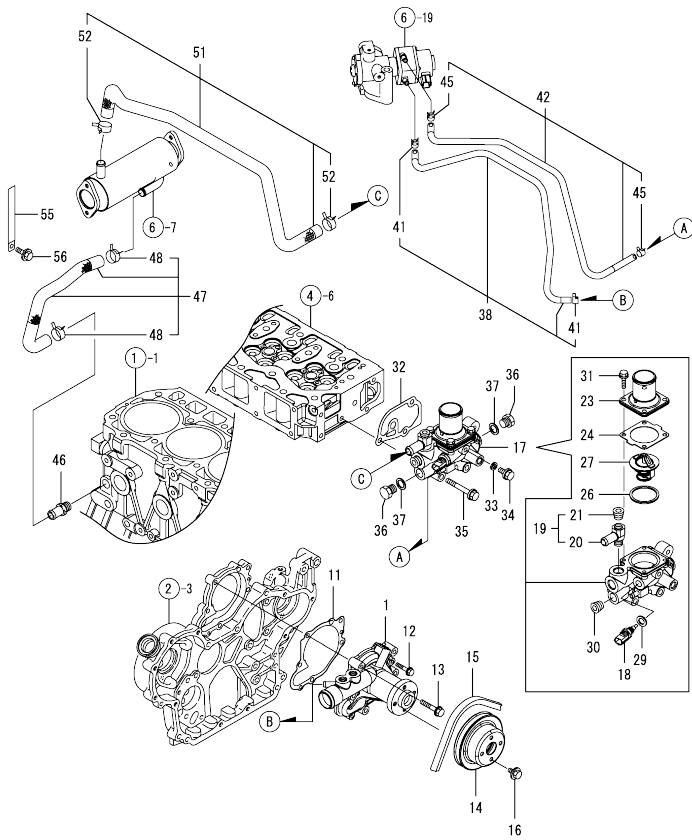
Remarks
(1) REPAIR PART.

Fig.11. LUB.OIL LINE



No.	Lev.	Parts No.	Description	Q'ty						I	R
				(A)	(B)	(C)	(D)	(E)	(F)		
1	1	119761-39450	SWITCH, HYDRAULIC	1							
2	1	121252-39150	BOLT, JOINT M10X1.5	1							
3	1	129928-39450	PIPE ASSY, OIL	1							
4	2	124223-39900	RETAINER	1							
5	1	129005-59830	BOLT ASSY, JOINT M8	1							
6	2	22190-080002	WASHER, SEAL 6	1							
7	2	23857-030000	BOLT, JOINT 3	1							
8	1	22190-080002	WASHER, SEAL 6	1							
9	1	23414-100000	GASKET, 10X1.0	2							
10	1	26106-080122	BOLT, M8X 12 PLATED	1							
11	1	129927-39060	PIPE ASSY, OIL	1							
13	2	123907-39500	RETAINER, PIPE	1							
15	1	129005-59830	BOLT ASSY, JOINT M8	2							
16	2	22190-080002	WASHER, SEAL 6	2							
17	2	23857-030000	BOLT, JOINT 3	2							
18	1	22190-080002	WASHER, SEAL 6	2							
19	1	26106-080122	BOLT, M8X 12 PLATED	1							
20	1	129930-39050	PIPE, OIL	1							
21	1	105010-39140	BOLT, PIPE JOINT	2							
22	1	22190-080002	WASHER, SEAL 6	4							
23	1	124070-13300	ELBOW, PT3/8	1							
24	1	129935-39610	PIPE, OIL	1							
26	2	123910-39850	RETAINER	1							
27	1	129908-39690	GASKET	1							
28	1	123901-39820	HOSE, LO RETURN	1							
29	1	23000-025000	CLAMP, 25	2							
30	1	26106-060162	BOLT, M6X 16 PLATED	2							
31	1	26106-080122	BOLT, M8X 12 PLATED	1							
32	1	129908-39410	VALVE ASSY, CHECK	4							
38	1	119000-39650	NOZZLE, COOLING	4							
39	1	22351-030010	PIN, SPRING 3.0X10	4							

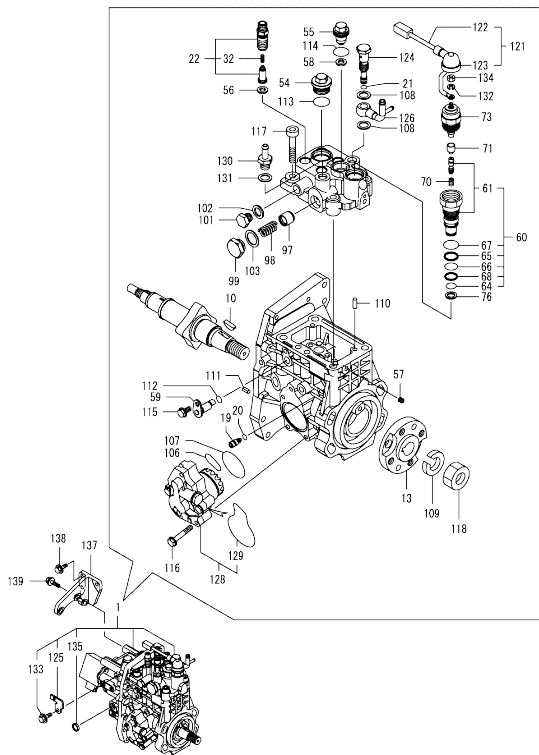
Fig.12. COOLING WATER SYSTEM



No.	Lev.	Parts No.	Description	Q'ty						I	R
				(A)	(B)	(C)	(D)	(E)	(F)		
1	1	129927-42000	PUMP ASSY, WATER	1							
11	1	129900-42020	GASKET, WATER PUMP	1							
12	1	26106-060302	BOLT, M6X 30 PLATED	2							
13	1	26106-080552	BOLT, M8X 55 PLATED	5							
14	1	129900-42461	V-PULLEY, C.W.PUMP	1							
15	1	129954-42290	V-BELT, A43.5	1							
16	1	26106-080122	BOLT, M8X 12 PLATED	4							
17	1	129928-49800	CASE ASSY, THERMOSTAT	1							
18	2	129927-44900	SENSOR, WATER TEMP.	1							
19	2	129928-49400	JOINT ASSY	1							
20	3	129928-49410	JOINT	1							
21	3	23875-030000	PLUG, R03	1							
23	2	129916-49530	COVER, THERMOSTAT	1							
24	2	121850-49540	GASKET, THERMOSTAT	1							
26	2	121850-49550	GASKET, THERMOSTAT	1							
27	2	121850-49810	THERMOSTAT, 71C	1							
29	2	22190-120002	WASHER, SEAL 12	1							
30	2	23875-030000	PLUG, R03	1							
31	2	26106-060202	BOLT, M6X 20 PLATED	4							
32	1	129900-49870	GASKET, THERMOSTAT	1							
33	1	23414-080000	GASKET, 8X1.0	1							
34	1	26106-080122	BOLT, M8X 12 PLATED	1							
35	1	26106-080602	BOLT, M8X 60 PLATED	3							
36	1	121450-42450	PLUG, M16	2							
37	1	124465-44950	GASKET, 16	2							
38	1	129927-49610	HOSE ASSY, WATER	1							
41	2	23080-012000	CLAMP, 12	2							
42	1	129927-49620	HOSE ASSY, WATER	1							
45	2	23080-012000	CLAMP, 12	2							
46	1	129928-49420	JOINT	1							
47	1	129948-49610	HOSE ASSY, WATER	1							
48	2	129960-03990	CLAMP, HOSE 19.8	2							
51	1	129948-49620	HOSE ASSY, WATER	1							
52	2	129960-03990	CLAMP, HOSE 19.8	2							
55	1	129928-79700	CLAMP, 150-M8	1							
56	1	26106-080122	BOLT, M8X 12 PLATED	1							

N:Old $\frac{New}{Old}$ New, Q:Old $\frac{New}{Old}$ New, R:Old $\frac{New}{Old}$ New, S:Old $\frac{New}{Old}$ New, W:Add, Z:Discontinued, F:Interchangeable by set, K:Q'ty Change
 Copyright (C) YANMAR GLOBAL CS CO., LTD. All Rights Reserved.

Fig.13. FUEL INJECTION PUMP



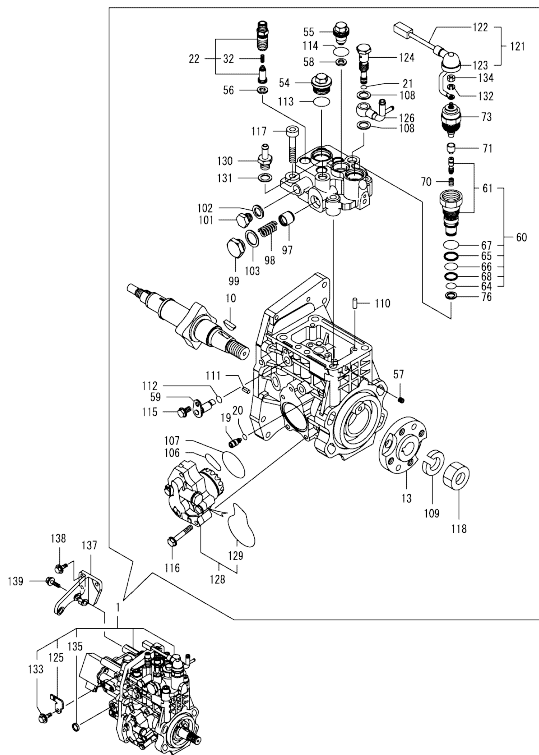
Remarks

(1) GOVERNOR ASSY (FIG.14) IS INCORPORATED IN THIS FUEL INJECTION PUMP (REF.NO.1).
 (1) ECO PUMP.
 MAKE SURE TO UPDATE THE ENGINES ECU INFORMATION WHEN REPLACING THE ECO PUMP.
 FAILING TO DO SO WILL RESULT IN ENGINE MALFUNCTION.

No.	Lev.	Parts No.	Description	Q'ty						I	R
				(A)	(B)	(C)	(D)	(E)	(F)		
1	1	729928-51300	PUMP ASSY, INJECTION	1							1
10	2	144626-51090	FEATHER KEY, 5X19	1							
13	2	158563-51150	FLANGE	1							
19	2	158600-51270	STOPPER, TAPPET	1							
20	2	158563-51281	O-RING, 4D S6	1							
21	2	158563-51281	O-RING, 4D S6	1							
22	2	129928-51390	VALVE ASSY, DELIVERY	4							
32	3	158563-51330	SPRING, DELIVERY	4							
54	2	158601-51550	PLUG, M22	1							
55	2	129907-51560	PLUG, M16	1							
56	2	158552-51571	GASKET, PLUG	4							
57	2	158557-51570	PLUG, RACK	1							
58	2	129906-51580	GASKET, PLUG	1							
59	2	158552-51580	LIFTER, LINK	1							
60	2	129657-51590	TIMER ASSY	1							
61	3	129657-51600	TIMER ASSY	1							
64	3	158553-51670	O-RING	1							
65	3	119802-51680	RING, BACKUP	1							
66	3	119802-51690	O-RING	1							
67	3	24356-010200	O-RING, 4D1020	1							
68	3	24372-000150	RING, BACK UP T2P15	1							
70	2	119852-51630	SPRING, TIMER	1							
71	2	119852-51640	CAP, TIMER	1							
73	2	119852-51650	VALVE ASSY, SOLENOID	1							
76	2	158553-51680	GASKET, TIMER	1							
97	2	158601-51770	PISTON, ACCUMULATOR	1							
98	2	158552-51781	SPRING, ACCUMULATOR	1							
99	2	158601-51790	PLUG	1							
101	2	158553-51930	PLUG, M12	1							
102	2	22190-120002	WASHER, SEAL 12	1							
103	2	22190-180002	WASHER, SEAL 18	1							
106	2	158552-52310	O-RING	1							
107	2	158552-52400	O-RING, 4E S42	1							
108	2	22190-120002	WASHER, SEAL 12	2							
109	2	22217-180000	WASHER, SPRING 18	1							
110	2	22312-050140	PIN, PARALLEL M5X14	2							
111	2	22351-050010	PIN, SPRING 5.0X10	2							
112	2	24311-000070	O-RING, 1AP7.0	1							
113	2	24356-010200	O-RING, 4D1020	1							
114	2	24356-020210	O-RING, 4D2021	1							
115	2	26106-060102	BOLT, M6X 10 PLATED	1							
116	2	26106-060352	BOLT, M6X 35 PLATED	4							
117	2	26450-100452	BOLT, M10X 45	4							
118	2	26776-180002	NUT, LOCK M18	1							
121	2	129927-51650	HARNESS ASSY, WIRE	1							
122	3	129927-51660	HARNESS	1							
123	3	129263-77941	CAP, RUBBER	1							
124	2	158601-51650	JOINT, OVER FLOW	1							
125	2	129927-51670	BRACKET	1							
126	2	158552-51670	JOINT, OVER FLOW	1							
128	2	158552-52100	PUMP ASSY, FUEL FEED	1							

N:Old $\frac{New}{Old}$ New, Q:Old $\frac{New}{Old}$ New, R:Old $\frac{New}{Old}$ New, S:Old $\frac{New}{Old}$ New, W:Add, Z:Discontinued, F:Interchangeable by set, K:Q'ty Change
 ++ CONTINUE ++ Copyright (C) YANMAR GLOBAL CS CO., LTD. All Rights Reserved.

Fig.13. FUEL INJECTION PUMP



(A)=4TNV98T-ZNTG
(B)=
(C)=

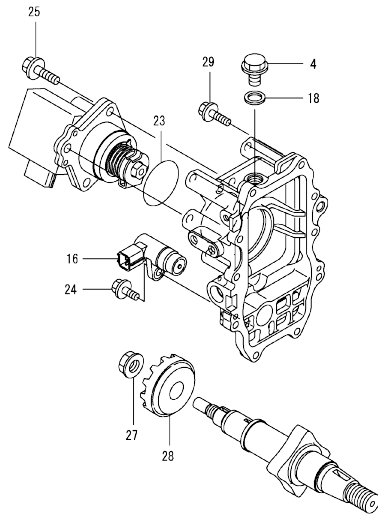
(D)=
(E)=
(F)=

No.	Lev.	Parts No.	Description	Q'ty					
				(A)	(B)	(C)	(D)	(E)	(F)
129	3	158552-52500	O-RING	1					
130	2	119934-59910	JOINT, PIPE	1					
131	2	22190-120002	WASHER, SEAL 12	1					
132	2	22217-050000	WASHER, SPRING 5	1					
133	2	26106-060122	BOLT, M6X 12 PLATED	1					
134	2	26716-050002	NUT, M5	1					
135	2	27241-160000	PLUG, 16	1					
137	1	129927-51250	RETAINER, PUMP	1					
138	1	26106-080202	BOLT, M8X 20 PLATED	3					
139	1	26106-080302	BOLT, M8X 30 PLATED	3					

Remarks

(1) GOVERNOR ASSY (FIG.14) IS INCORPORATED IN THIS FUEL INJECTION PUMP. (REF.NO.1).
(1) ECO PUMP.
MAKE SURE TO UPDATE THE ENGINES ECU INFORMATION WHEN REPLACING THE ECO PUMP.
FAILING TO DO SO WILL RESULT IN ENGINE MALFUNCTION.

Fig.14. GOVERNOR



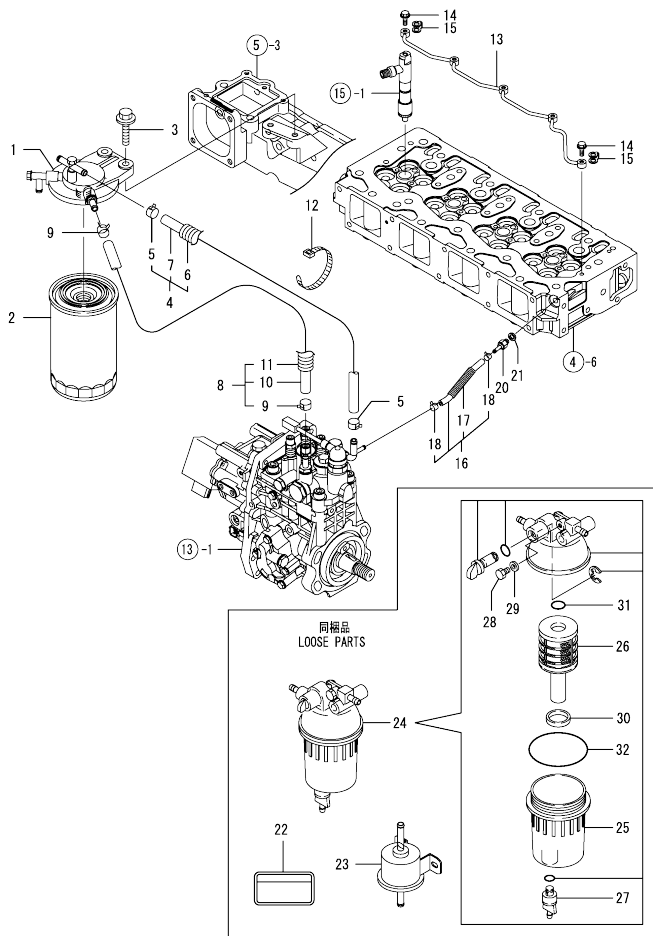
(A)=4TNV98T-ZNTG
(B)=
(C)=

(D)=
(E)=
(F)=

No.	Lev.	Parts No.	Description	Q'ty						I	R
				(A)	(B)	(C)	(D)	(E)	(F)		
4	2	158553-51930	PLUG, M12	1							
16	2	158557-61720	SENSOR	1							
18	2	22190-120002	WASHER, SEAL 12	1							
23	2	24341-000480	O-RING, 1AS48.0	1							
24	2	26106-060162	BOLT, M6X 16 PLATED	1							
25	2	26106-080252	BOLT, M8X 25 PLATED	3							
27	2	129008-61301	NUT	1							
28	2	158553-61780	GEAR, SENSOR	1							
29	2	26106-060252	BOLT, M6X 25 PLATED	10							

Remarks
* THIS FIGURE(GOVERNOR ASSY)IS
INCORPORATED IN THE FUEL INJECTION
PUMP ASSY(FIG.13).

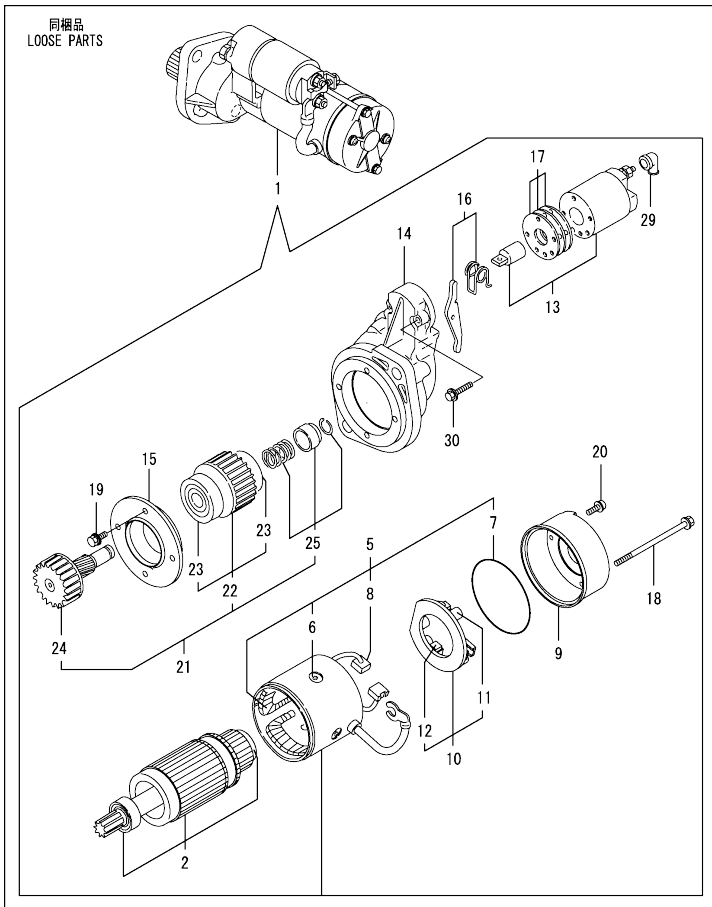
Fig.16. FUEL LINE



No.	Lev.	Parts No.	Description	Q'ty						I	R
				(A)	(B)	(C)	(D)	(E)	(F)		
1	1	129004-55612	BRACKET, FILTER	1							
2	1	123907-55801	FILTER, FUEL	1							
3	1	26106-080302	BOLT, M8X 30 PLATED	2							
4	1	129457-59010	HOSE ASSY, FUEL	1							
5	2	124766-59050	CLAMP, HOSE 11.5	2							
6	2	129957-59120	TUBE, CORRUGATED 15	1							
7	2	105025-59750	HOSE, FUEL	1							
8	1	129961-59310	HOSE ASSY, FUEL	1							
9	2	124766-59050	CLAMP, HOSE 11.5	2							
10	2	129136-59110	HOSE, D13/7.5X270	1							
11	2	129961-59110	TUBE, CORRUGATED 15	1							
12	1	121750-59890	BAND, NYLON	1							
13	1	129907-59140	PIPE ASSY, RETURN	1							
14	1	123907-59540	BOLT, PIPE JOINT M6	5							
15	1	123907-59550	GASKET	5							
16	1	129927-59550	HOSE ASSY RETURN	1							
17	2	129263-49750	TUBE, CORRUGATED	1							
18	2	124722-59050	CLAMP, HOSE 9	2							
20	1	123907-59560	JOINT, HOSE	1							
21	1	22190-080002	WASHER, SEAL 6	1							
22	1	114110-07760	LABEL, FUEL CAUTION	1							
23	1	119225-52102	PUMP, FUEL FEED	1							
24	1	129242-55700	SEPARATOR ASSY, WATER	1							
25	2	129242-55720	CUP, SEPARATOR	1							
26	2	129242-55730	ELEMENT, FUEL	1							
27	2	129242-55740	PLUG, DRAIN	1							
28	2	129242-55750	VALVE, AIR VENT	1							
29	2	129242-55760	GASKET, PLUG	1							
30	2	129242-55770	FLOAT	1							
31	2	24311-000160	O-RING, 1AP16.0	1							
32	2	24321-000750	O-RING, 1AG75.0	1							

N:Old $\frac{100}{100}$ New, Q:Old $\frac{100}{100}$ New, R:Old $\frac{100}{100}$ New, S:Old $\frac{100}{100}$ New, W:Add, Z:Discontinued, F:Interchangeable by set, K:Q'ty Change
 Copyright (C) YANMAR GLOBAL CS CO., LTD. All Rights Reserved.

Fig.17. STARTING MOTOR

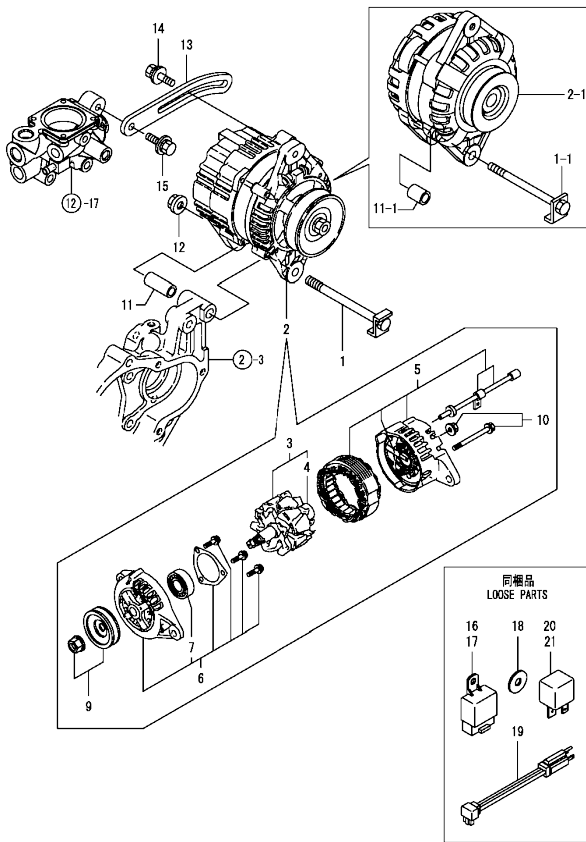


(A)=4TNV98T-ZNTG
(B)=
(C)=

(D)=
(E)=
(F)=

No.	Lev.	Parts No.	Description	Q'ty						I	R
				(A)	(B)	(C)	(D)	(E)	(F)		
1	1	129940-77010	STARTER ASSY	1							
2	2	129940-77100	ARMATURE ASSY	1							
5	2	129940-77130	COIL ASSY, FIELD	1							
6	3	129940-77140	SCREW, CORE SET	4							
7	3	129940-77150	O-RING	1							
8	3	129940-77160	BRUSH	2							
9	2	129940-77170	COVER	1							
10	2	129940-77180	HOLDER ASSY, BRUSH	1							
11	3	129940-77190	SPRING, BRUSH	1							
12	3	129940-77200	BRUSH	2							
13	2	129940-77210	SWITCH ASSY, MAGNET	1							
14	2	129940-77220	CASE, GEAR	1							
15	2	129940-77230	RETAINER, BEARING	1							
16	2	129940-77240	LEVER SET	1							
17	2	129940-77250	COVER KIT, DUST	1							
18	2	129940-77260	BOLT, THROUGH	2							
19	2	129940-77270	BOLT	4							
20	2	129940-77280	SCREW	2							
21	2	123900-77510	PINION ASSY	1							
22	3	123900-77520	CLUTCH ASSY	1							
23	4	X2240610100	BEARING, BALL	2							
24	3	123900-77540	SHAFT, PINION	1							
25	3	119131-77550	STOPPER SET, PINION	1							
29	2	121254-77810	COVER, TERMINAL	1							
30	2	114371-79070	BOLT	2							

Fig.18. GENERATOR



(A)=4TNV98T-ZNTG
(B)=
(C)=

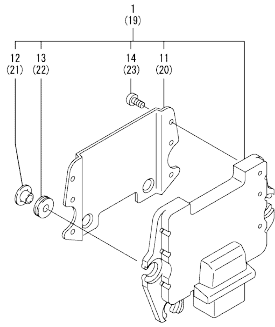
(D)=
(E)=
(F)=

No.	Lev.	Parts No.	Description	Q'ty						I	R
				(A)	(B)	(C)	(D)	(E)	(F)		
1	1	129002-77280	BOLT ASSY	1							
1-1	1	129908-77220 (A=E03515)	BOLT, STOPPER M10	1						F	1
2	1	129612-77290	ALTERNATOR, 12V-80A	1							
2-1	1	129908-77200 (A=E03515)	ALTERNATOR 12V	1						F	1
3	2	123910-77740	ROTOR ASSY	1							
4	3	129900-77810	BEARING, BALL	1							
5	2	129612-77820	BRACKET ASSY	1							
6	2	129900-77890	BRACKET ASSY	1							
7	3	129900-77900	BEARING, BALL	1							
9	2	129900-77910	PULLEY	1							
10	2	129900-77920	SCREW KIT	1							
11	1	129002-77340	PIECE, DISTANCE	1							
11-1	1	129908-77360	PIECE, DISTANCE	1						F	1
		(A=E03515)									
12	1	26306-100002	NUT, M10	1							
13	1	129916-77300	ADJUSTER, BELT	1							
14	1	119810-77340	BOLT, ADJUST L=30	1							
15	1	26014-080252	BOLT, M8X 25	1							
16	1	198461-52950	RELAY, CA TYPE C	1							
17	1	198461-52950	RELAY, CA TYPE C	1							
18	1	129927-77690	WASHER, ECU	3							
19	1	171015-77910	CORD, HEATER	1							
20	1	129927-77920	RELAY, ISO 70A	1							
21	1	129927-77920	RELAY, ISO 70A	1							

Remarks

(1)Interchangeable by simultaneous replacement with No.1-2, 2-1 & 11-1.

Fig.19. ELECTRONIC CONTROL UNIT (ECU)



(A)=4TNV98T-ZNTG
(B)=
(C)=

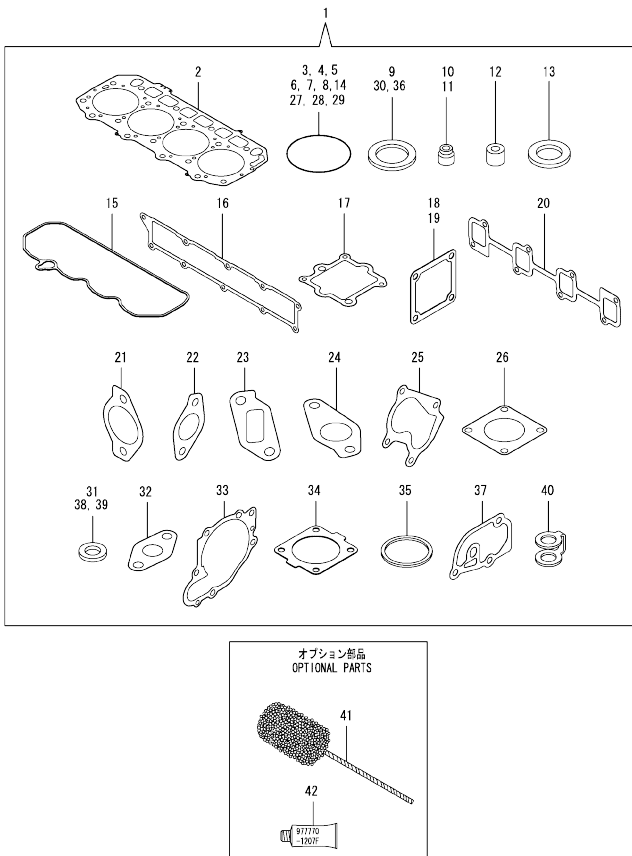
(D)=
(E)=
(F)=

No.	Lev.	Parts No.	Description	Q'ty						I	R
				(A)	(B)	(C)	(D)	(E)	(F)		
1	1	129948-75100	CONTROLLER ASSY, EUC	1							1
11	2	129927-77600	SHIELD, ECU	1							
12	2	129927-77680	COLLAR, CONTROL	3							
13	2	119578-91351	ABSORBER	3							
14	2	22877-500080	SCREW, 5X 8	6							
19	1	129927-75900	ECU ASSY, SERVICE	1							2
20	2	129927-77600	SHIELD, ECU	1							
21	2	129927-77680	COLLAR, CONTROL	3							
22	2	119578-91351	ABSORBER	3							
23	2	22877-500080	SCREW, 5X 8	6							

Remarks

(1)ECO ECU
THIS PART CANNOT BE ORDERED.
REPLACE THE PART USING A SERVICE
ECU WITH THE PROPER ENGINE
INFORMATION INSTALLED.
(2)SERVICE ECU
IF THE PROPER INFORMATION IS NOT
INSTALLED, THE ENGINE WILL NOT
OPERATE.
TO INSTALL PROPER INFORMATION,
GO TO AN AUTHORIZED DISTRIBUTOR.

Fig.20. GASKET SET



(A)=4TNV98T-ZNTG
(B)=
(C)=

(D)=
(E)=
(F)=

No.	Lev.	Parts No.	Description	Qty						I	R	
				(A)	(B)	(C)	(D)	(E)	(F)			
1	1	729928-92740	GASKET SET	1							1	
2	2	129907-01331	GASKET, HEAD	1								
3	2	129900-32030	O-RING, P20	2								
4	2	129900-32040	O-RING, P14	1								
5	2	24311-000070	O-RING, 1AP7.0	1								
6	2	24351-030750	O-RING, 1A3075	1								
7	2	24311-000320	O-RING, 1AP32.0	2								
8	2	24321-000850	O-RING, 1AG85.0	1								
9	2	22190-220002	WASHER, SEAL 22	1								
10	2	119803-11340	SEAL, VALVE STEM	8								
11	2	124160-11340	SEAL, VALVE STEM	8								
12	2	119802-11870	PROTECTOR, NOZZLE	4								
13	2	119625-11880	SEAT, NOZZLE	4								
14	2	24311-000120	O-RING, 1AP12.0	8								
15	2	129933-11310	GASKET, BONNET	1								
16	2	129907-12110	GASKET, MANIFOLD	1								
17	2	129928-13720	GASKET	1								
18	2	119129-77020	GASKET	1								
19	2	121850-77021	GASKET, AIR HEATER	1								
20	2	129900-13251	GASKET, EXH.MANIFOLD	1								
21	2	129928-13410	GASKET	2								
22	2	129927-13810	GASKET	1								
23	2	129927-13910	GASKET, EGR	1								
24	2	129927-13920	GASKET, EGR	1								
25	2	123901-18080	GASKET	1								
26	2	129472-18090	GASKET	1								
27	2	24341-000530	O-RING, 1AS53.0	1								
28	2	24321-000600	O-RING, 1AG60.0	1								
29	2	24316-240100	O-RING, 4DP10A	1								
30	2	22190-080002	WASHER, SEAL 6	11								
31	2	23414-100000	GASKET, 10X1.0	2								
32	2	129908-39690	GASKET	1								
33	2	129900-42020	GASKET, WATER PUMP	1								
34	2	121850-49540	GASKET, THERMOSTAT	1								
35	2	121850-49550	GASKET, THERMOSTAT	1								
36	2	22190-120002	WASHER, SEAL 12	1								
37	2	129900-49870	GASKET, THERMOSTAT	1								
38	2	23414-080000	GASKET, 8X1.0	1								
39	2	124465-44950	GASKET, 16	2								
40	2	123907-59550	GASKET	5								
41	1	129400-92450	HONE, FLEX	1								1
42	1	977770-1207F	GASKET.LIQUID	1								1

Remarks
(1) OPTIONAL PART.

Parts No. Index

Parts No.	Fig. No.	Ref. No.	Parts No.	Fig. No.	Ref. No.	Parts No.	Fig. No.	Ref. No.	Parts No.	Fig. No.	Ref. No.
105010-39140	11	21	121850-49540	20	34	129005-59830	11	5	129900-02931	1	24
105025-59750	16	7	121850-49550	12	26			15	129900-02941	1	36
114110-07760	16	22		20	35	129006-44480	10	5	129900-13251	6	5
114250-53080	15	5	121850-49810	12	27	129008-61301	14	27		20	20
114250-53120	15	9	121850-77021	5	18	129100-01580	2	1	129900-14110	7	6
114250-53130	15	10		20	19		3	6	129900-14140	2	31
114250-53140	15	11	123472-59120	15	41	129136-59110	16	10	129900-21220	9	3
114250-53210	15	12	123900-13630	6	6	129150-02450	7	4	129900-23001	9	21
114371-79070	17	30	123900-25060	7	9	129150-03100	4	72	129900-23200	9	24
119000-39650	11	38	123900-77510	17	21	129150-11230	4	42	129900-23601	9	25
119005-77051	5	19	123900-77520	17	22			46	129900-23611	9	28
119100-11330	4	61	123900-77540	17	24	129150-11750	4	23	129900-23911	9	27
119129-77020	5	17	123901-03240	4	76			43	129900-25110	7	10
	20	18	123901-18080	6	24			47	129900-26030	7	17
119129-77520	5	20		20	25	129150-14200	7	1	129900-26250	2	32
119131-18320	8	3	123901-39820	11	28	129150-25920	7	13	129900-32030	2	6
119131-77550	17	25	123907-11280	4	39	129150-35153	10	19		10	20
119225-52102	16	23	123907-11550	4	5	129150-59120	15	42		20	3
119260-34810	10	14	123907-11601	15	40	129150-59131	15	45	129900-32040	2	7
119578-91351	19	13	123907-11820	4	25	129242-55700	16	24		20	4
		22	123907-11830	4	24	129242-55720	16	25	129900-42020	12	11
119593-11301	4	34	123907-39500	11	13	129242-55730	16	26		20	33
119620-11180	4	18	123907-55801	16	2	129242-55740	16	27	129900-42461	12	14
119625-11880	4	30	123907-59540	16	14	129242-55750	16	28	129900-49870	12	32
	20	13	123907-59550	16	15	129242-55760	16	29		20	37
119640-01640	3	2		20	40	129242-55770	16	30	129900-77810	18	4
119761-39450	11	1	123907-59560	16	20	129263-49750	16	17	129900-77890	18	6
119802-11870	4	29	123910-39850	11	26	129263-77941	13	123	129900-77900	18	7
	20	12	123910-49600	10	8	129400-92450	20	41	129900-77910	18	9
119802-13790	6	10	123910-49610	10	10	129410-03990	4	70	129900-77920	18	10
119802-51680	13	65	123910-77740	18	3	129418-18320	6	3	129906-51580	13	58
119802-51690	13	66	123912-03250	4	78			4	129907-01331	1	28
119803-11340	4	19	123912-33050	10	2	129457-59010	16	4		20	2
	20	10	123912-33100	10	3	129466-49300	10	7	129907-03011	4	56
119803-53400	15	13	123951-18220	5	14	129472-18090	8	2	129907-03061	4	57
119810-77340	18	14	124070-13300	11	23		20	26	129907-03070	4	58
119852-51630	13	70	124160-01751	2	14	129486-01670	3	10	129907-07900	4	1
119852-51640	13	71		4	54	129509-79700	4	62	129907-11100	4	15
119852-51650	13	73	124160-11340	4	20	129612-77290	18	2	129907-11110	4	16
119934-59910	13	130		20	11	129612-77820	18	5	129907-11120	4	17
120130-22301	9	19	124160-11360	4	65	129657-51590	13	60	129907-11250	4	36
121023-26070	2	20	124223-39900	11	4	129657-51600	13	61	129907-11260	4	37
121252-39150	11	2	124465-44950	12	37	129900-01200	1	27	129907-11270	4	38
121254-77810	17	29		20	39	129900-01250	1	4	129907-11341	4	35
121450-42450	12	36	124722-59050	16	18	129900-01740	2	16	129907-11510	4	21
121750-59890	10	11	124766-59050	16	5	129900-01850	2	26	129907-11650	4	40
	16	12			9	129900-01870	2	27	129907-11660	4	44
121850-21290	9	4	129002-77280	18	1	129900-02020	1	5	129907-11800	4	28
121850-21920	9	5	129002-77340	18	11	129900-02341	1	33	129907-11910	4	31
121850-49540	12	24	129004-55612	16	1	129900-02410	1	8	129907-11920	4	48

Parts No. Index

Parts No.	Fig. No.	Ref. No.
129907-11950	4	32
129907-12110	5	1
	20	16
129907-14400	7	2
129907-25900	7	16
129907-34811	10	15
129907-51560	13	55
129907-59140	16	13
129908-14590	7	3
129908-21100	9	1
129908-32060	2	4
129908-33010	10	1
129908-33101	10	4
129908-39410	11	32
129908-39690	11	27
	20	32
129908-49060	10	6
129908-77200	18	2 -1
129908-77220	18	1 -1
129908-77360	18	11 -1
129916-01790	3	9
129916-01800	2	25
129916-21610	9	7
129916-21650	9	9
129916-49530	12	23
129916-77300	18	13
129927-13810	6	12
	20	22
129927-13900	6	19
129927-13910	6	20
	20	23
129927-13920	6	21
	20	24
129927-22050	9	15
129927-39060	11	11
129927-42000	12	1
129927-44900	12	18
129927-49610	12	38
129927-49620	12	42
129927-51250	13	137
129927-51650	13	121
129927-51660	13	122
129927-51670	13	125
129927-59550	16	16
129927-59810	15	47
129927-59820	15	48
129927-59830	15	49
129927-59840	15	50
129927-75900	19	19
129927-77600	19	11

Parts No.	Fig. No.	Ref. No.
129927-77600	19	20
129927-77680	19	12
		21
129927-77690	18	18
129927-77920	18	20
		21
129928-11700	4	6
129928-12100	5	3
129928-12150	5	2
129928-13100	6	2
129928-13150	6	1
129928-13400	6	7
129928-13410	6	8
		9
	20	21
129928-13700	5	4
129928-13710	5	5
129928-13720	5	6
	20	17
129928-18200	5	12
129928-22080	9	13
129928-34850	10	16
129928-39450	11	3
129928-49400	12	19
129928-49410	12	20
129928-49420	12	46
129928-49800	12	17
129928-51390	13	22
129928-53000	15	2
129928-79700	12	55
129930-39050	11	20
129933-01500	2	3
129933-11310	4	60
	20	15
129935-18010	8	1
129935-39610	11	24
129940-77010	17	1
129940-77100	17	2
129940-77130	17	5
129940-77140	17	6
129940-77150	17	7
129940-77160	17	8
129940-77170	17	9
129940-77180	17	10
129940-77190	17	11
129940-77200	17	12
129940-77210	17	13
129940-77220	17	14
129940-77230	17	15
129940-77240	17	16

Parts No.	Fig. No.	Ref. No.
129940-77250	17	17
129940-77260	17	18
129940-77270	17	19
129940-77280	17	20
129948-03080	4	68
129948-07900	4	2
129948-11300	4	55
129948-13800	6	11
129948-13810	6	13
129948-49610	12	47
129948-49620	12	51
129948-75100	19	1
129949-01710	3	1
129953-25300	7	15
129953-35000	10	21
129954-42290	12	15
129957-59120	16	6
129960-03990	12	48
		52
129960-21640	9	8
129961-59110	16	11
129961-59310	16	8
129966-01640	3	7
129966-01650	3	7 -1
129972-03220	4	74
129972-03230	4	75
129972-03240	4	73
129974-18210	5	13
144626-51090	13	10
158552-51571	13	56
158552-51580	13	59
158552-51670	13	126
158552-51781	13	98
158552-52100	13	128
158552-52310	13	106
158552-52400	13	107
158552-52500	13	129
158553-51670	13	64
158553-51680	13	76
158553-51930	13	101
	14	4
158553-61780	14	28
158557-51570	13	57
158557-61720	14	16
158563-51150	13	13
158563-51281	13	20
		21
158563-51330	13	32
158600-51270	13	19
158601-51550	13	54

Parts No.	Fig. No.	Ref. No.
158601-51650	13	124
158601-51770	13	97
158601-51790	13	99
171015-77900	1	9
171015-77910	18	19
171056-49120	10	28
198461-52950	18	16
		17
22190-080002	11	6
		8
		16
		18
		22
		21
		30
22190-120002	12	29
	13	102
		108
		131
		18
		36
22190-180002	13	103
22190-220002	3	4
	20	9
22217-050000	13	132
22217-180000	13	109
22252-000300	9	20
22312-050140	13	110
22351-030010	11	39
22351-050010	13	111
22351-060012	1	11
22512-070140	7	7
	9	6
22857-500100	4	63
22877-500080	19	14
		23
23000-022000	4	79
23000-025000	10	12
	11	29
23000-054000	5	15
23000-080000	5	16
23065-160250	4	80
23080-012000	12	41
		45
23414-080000	12	33
	20	38
23414-100000	11	9
	20	31
23857-030000	11	7
		17

Parts No. Index

Parts No.	Fig. No.	Ref. No.
23875-030000	12	21
		30
23876-020000	4	12
23876-030000	1	12
		13
		14
		29
	4	13
24311-000070	2	8
		112
24311-000120	4	5
		33
		66
	20	14
24311-000160	16	31
24311-000320	2	15
		67
	20	7
24316-240100	10	17
		29
24321-000600	10	13
		28
24321-000750	16	32
24321-000850	2	21
		8
24341-000480	14	23
24341-000530	9	10
		27
24351-030750	2	9
		6
24356-010200	13	67
		113
24356-020210	13	114
24372-000150	13	68
26014-080252	18	15
26106-060102	13	115
26106-060122	4	64
		133
26106-060162	11	30
		24
26106-060202	5	7
		8
	12	31
26106-060252	14	29
26106-060302	12	12
26106-060352	13	116
26106-080122	3	5
		26
	10	10
	11	19

Parts No.	Fig. No.	Ref. No.
26106-080122	11	31
		16
	12	34
		56
26106-080142	4	81
26106-080162	2	10
		17
		28
	4	3
	7	8
	10	18
		27
26106-080202	2	11
	4	4
	13	138
26106-080252	14	25
26106-080302	13	139
		3
26106-080352	6	14
26106-080402	2	18
		29
	4	50
	5	21
26106-080452	2	12
	5	10
	6	15
	6	16
	7	14
	12	13
26106-080602	4	51
		52
	12	35
26106-080702	2	19
		30
26106-080802	5	11
26106-080902	5	22
26106-100202	2	22
26106-100252	6	17
26106-100402	6	22
26106-101052	6	23
26116-050102	4	77
26216-060202	5	9
26216-100302	2	5
26226-080222	4	49
26306-080002	4	53
	6	18
	8	4
26306-100002	2	13
	18	12
26366-060002	15	51

Parts No.	Fig. No.	Ref. No.
26450-100452	13	117
26716-050002	13	134
26776-180002	13	118
27241-160000	13	135
27241-300000	1	10
27241-400000	4	14
27310-070001	4	26
729900-02801	1	30
729906-01550	2	23
729927-22950	9	32
729928-22900	9	30
729928-51300	13	1
729928-53100	15	1
729928-92740	20	1
729948-01560	1	1
977770-1207F	20	42
X2240610100	17	23

Parts No.	Fig. No.	Ref. No.
-----------	----------	----------