

0CW10-M34400EN

PREFACE

1. This parts catalog is the 1st edition of 4TNV98T-ZXLA1 for Argo Tractors Spa

Pub.No. : 000Y00W3440

Published : April,2008

Directions for the Parts Catalog.

1. This Parts Catalog shows both standard and optional parts.
2. Parts may change without prior notice.
3. The following is an example of the Parts Catalog format.

REF.	LEV.	PARTS NO.	DESCRIPTION	Q'TY						I	R
				(A)	(B)	(C)	(D)	(E)	(F)		
1	1	729595-51390	FUEL INJECTION PUMP	1	1	1	1	1			1
1-1	1	729595-51391	FUEL INJECTION PUMP	1	1	1	1	1		N	1
		(A=E00185) (B=E00200)									
3	2	26022-060162	SCREW M 6X 16	9	9	9	9	9			
3-1	2	26022-060162	SCREW M 6X 16	4	4	4	4	4		K	
		(A=E00156) (B=E00156) (C=E00156) (D=E00156) (E=E00156)									
4	2	129470-51040	CAMSHAFT	1	1	1	1	1			
5	2	122710-51050	BEARING, ROLLER	2	2	2	2	2			
6	2	129470-51060	RETAINER	1	1	1	1	1			

Remarks
(1) BOOST COMPEMSATOR TYPE. OPTIONAL PART, TO E00155,(4JH-DT, 4JH-DTZ

① Ref. No.

The Ref. No. listed may not be in accordance with the illustration Ref. No.

(Ex.) Illustration No.

List Ref No.

1 1 (Before change) → 1-1 (After change)

For interchangeable symbols N, R and K, illustrations for new parts may be abbreviated.

② Lev. (Level)

Level indication

The numbers below indicate the level of relativity towards the main part.

1 ---- Main parts (Assembly parts)

2 ---- Sub component included in " 1 ".

3 ---- Sub component included in " 2 ".

Note) Parts that are not for sale are partially illustrated but not listed.

③ Interchangeability Symbol

When a part change takes place, one of the following interchangeability symbols is indicated beside the part.

Symbol	Interchangeability	Contents note
N	Old $\begin{matrix} \leftarrow \text{Yes} \\ \text{No} \rightarrow \end{matrix}$ New	New Part is interchangeable for Old Part but Old Part is not interchangeable for New Part.
Q	Old $\begin{matrix} \leftarrow \text{No} \\ \text{Yes} \rightarrow \end{matrix}$ New	New Part is not interchangeable for Old Part but Old Part is interchangeable for New Part.
R	Old $\begin{matrix} \leftarrow \text{Yes} \\ \text{Yes} \rightarrow \end{matrix}$ New	New/ Old Parts are both interchangeable.
S	Old $\begin{matrix} \leftarrow \text{No} \\ \text{No} \rightarrow \end{matrix}$ New	New/ Old Parts are both not interchangeable.
W		Part newly added.
Z		Part discontinued.
F		Not interchangeable by a single part but interchangeable together with related parts.
K		Changes only for used parts quantities.

④ Effective Machine No.

When a part changes, the effective Machine No. will be indicated in the (A)-(F) column.

Product Symbol	Product No.	Product Symbol	Product No.
C	Clutch No. Compressor No.	F	Machine No. (Agricultural Equip.)
D	Drive No.	M	Machine No.
E	Engine No.		

Note 1) A date may follow the symbol. (Ex.) 1996.01

Note 2) "XXXXX" and "ZZZZZ" are for parts that could not be predicted or for engine models that could not be identified.

Note 3) (A=E00185) is the E (Engine Serial Number) for the column (A) model (in this case 4JH-DT) after the parts design change.

⑤ Remarks

Figures or alphabets (symbols) are entered in the remarks column.

The comments (remarks) on parts that are indicated at the bottom of the illustration are the same symbols as those stated above.

Contents

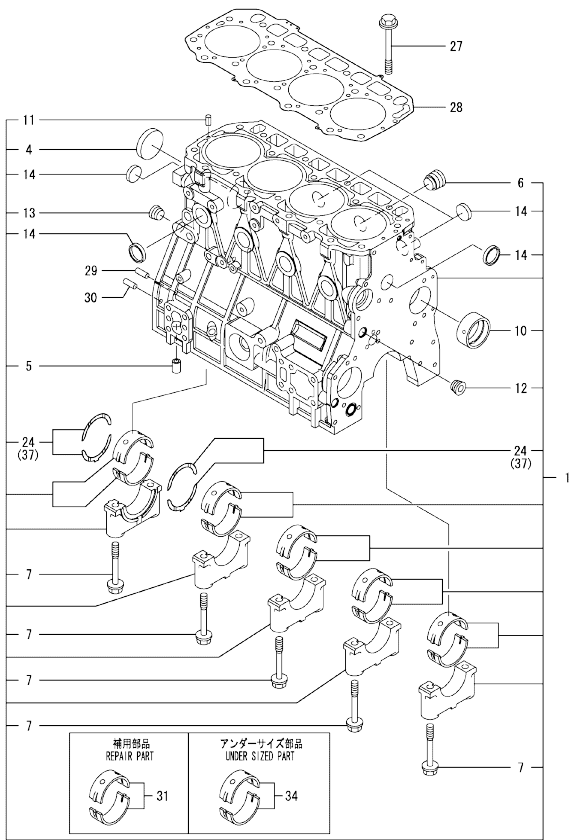
0CW10-M34400

Fig. No.	Fig. Name	Fig. No.	Fig. Name
4TNV98T-ZXLA1			
1.	CYLINDER BLOCK		
2.	GEAR HOUSING		
3.	MOUNTING FLANGE & OIL SUMP		
4.	CYLINDER HEAD & BONNET		
5.	SUCTION MANIFOLD		
6.	EXHAUST MANIFOLD		
7.	CAMSHAFT & DRIVING GEAR		
8.	TURBINE		
9.	CRANKSHAFT & PISTON		
10.	BALANCER		
11.	LUB.OIL SYSTEM		
12.	LUB.OIL LINE		
13.	COOLING WATER SYSTEM		
14.	FUEL INJECTION PUMP		
15.	GOVERNOR		
16.	FUEL INJECTION VALVE		
17.	FUEL LINE		
18.	STARTING MOTOR		
19.	GENERATOR		
20.	ELECTRONIC CONTROL UNIT (ECU)		
21.	GASKET SET		
22.	LOOSE PART		
23.	(18A)STARTING MOTOR		

Fig.1. CYLINDER BLOCK

(A)=4TNV98T-ZXLA1
(B)=
(C)=

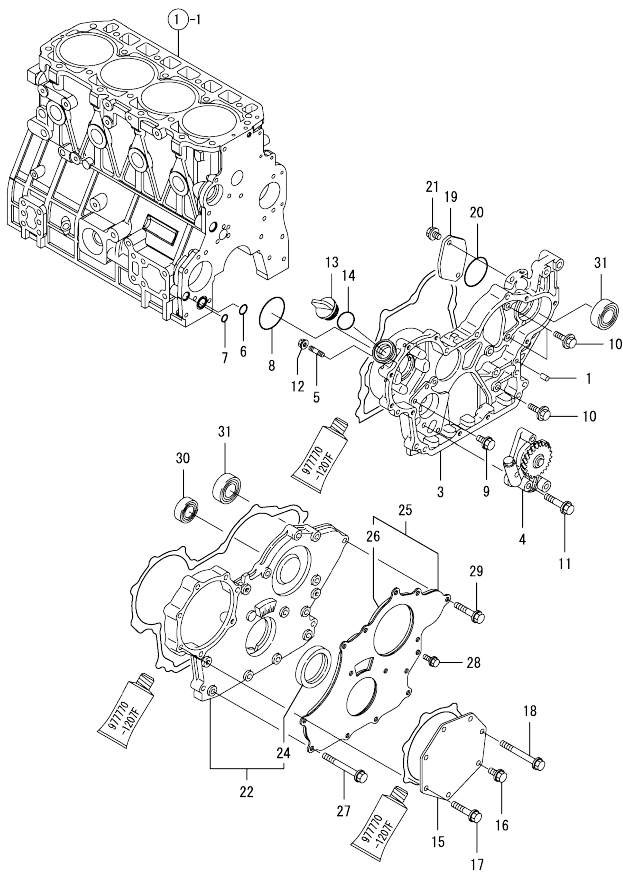
(D)=
(E)=
(F)=



No.	Lev.	Parts No.	Description	Q'ty						I	R	
				(A)	(B)	(C)	(D)	(E)	(F)			
1	1	729973-01560	BLOCK ASSY, CYLINDER	1								
4	2	129900-01250	PLUG, DISH TYPE 55	1								
5	2	129956-01710	PIPE, DOWEL L=25	1								
6	2	171051-01921	PLUG, NPTF1	1								
7	2	129900-02020	BOLT, METAL CAP	10								
10	2	129900-02410	BUSH, CAMSHAFT	1								
11	2	22351-060012	PIN, SPRING 6.0X12	2								
12	2	23876-030000	PLUG, R03	1								
13	2	23876-030000	PLUG, R03	1								
14	2	27241-300000	PLUG 30	8								
24	2	129900-02931	BEARING ASSY, THRUST	2								
27	1	129900-01200	BOLT, CYLINDER HEAD	18								
28	1	129907-01331	GASKET, HEAD	1								
29	1	129100-01580	PIN, PARALLEL 8X16	2								
30	1	129100-01580	PIN, PARALLEL 8X16	2								
31	1	729900-02801	BEARING, MAIN	5								1
34	1	129900-02341	BEARING ASSY, MAIN	5								2
37	1	129900-02941	BEARING, THRUST 0.25	2								3

Remarks
(1) REPAIR PART.
(2) UNDER-SIZED(U.S=0.25)PART.
(3) OVER-SIZED(O.S=0.25)PART.

Fig.2. GEAR HOUSING



(A)=4TNV98T-ZXLA1
(B)=
(C)=

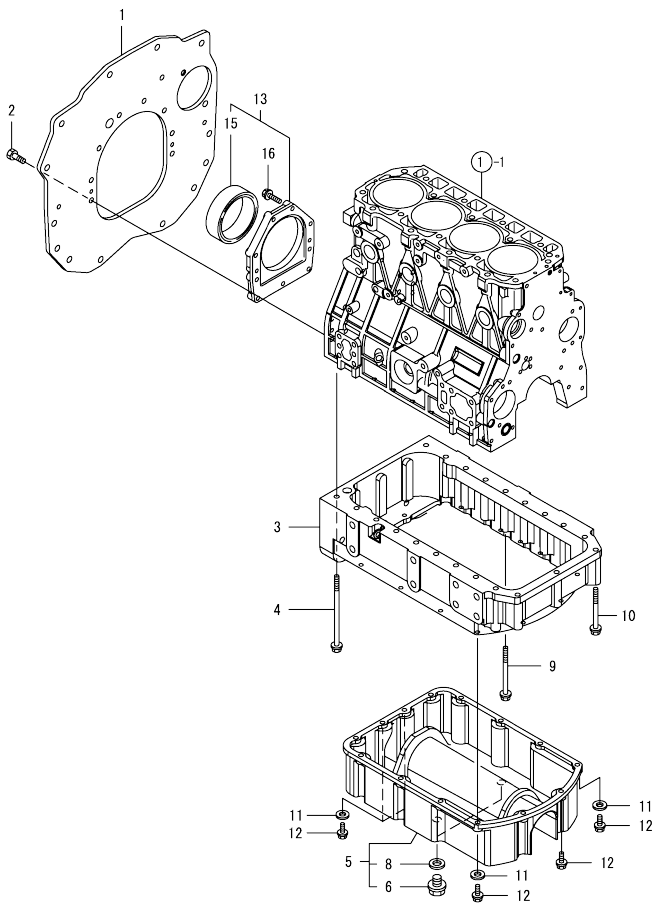
(D)=
(E)=
(F)=

No.	Lev.	Parts No.	Description	Qty						I	R
				(A)	(B)	(C)	(D)	(E)	(F)		
1	1	129100-01580	PIN, PARALLEL 8X16	4							
3	1	129972-01500	CASE, GEAR	1							
4	1	129908-32060	PUMP ASSY, OIL	1							
5	1	26216-100302	STUD, M10X 30	4							
6	1	129900-32030	O-RING, P20	1							
7	1	129900-32040	O-RING, P14	1							
8	1	24351-030750	O-RING, 1A3075	1							
9	1	26106-080162	BOLT, M8X 16 PLATED	1							
10	1	26106-080202	BOLT, M8X 20 PLATED	3							
11	1	26106-080452	BOLT, M8X 45 PLATED	3							
12	1	26306-100002	NUT, M10	4							
13	1	124160-01751	CAP, FILLER	1							
14	1	24311-000320	O-RING, 1AP32.0	1							
15	1	129951-01740	COVER	1							
16	1	26106-080202	BOLT, M8X 20 PLATED	1							
17	1	26106-080452	BOLT, M8X 45 PLATED	5							
18	1	26106-080752	BOLT, M8X 75 PLATED	1							
19	1	129930-01870	COVER	1							
20	1	24321-000850	O-RING, 1AG85.0	1							
21	1	26106-100202	BOLT, M10X 20 PLATED	2							
22	1	729906-01550	COVER ASSY,GEAR CASE	1							
24	2	129916-01800	SEAL, OIL	1							
25	1	129900-01850	COVER ASSY,GEAR CASE	1							
26	2	129900-01870	SPONGE, GEAR CASE	1							
27	1	129001-91810	BOLT, M8X70	6							
28	1	26106-080162	BOLT, M8X 16 PLATED	3							
29	1	26106-080402	BOLT, M8X 40 PLATED	5							
30	1	129900-14140	BEARING, BALL 6205	1							
31	1	129900-26250	BEARING, BALL 6206C3	2							

Fig.3. MOUNTING FLANGE & OIL SUMP

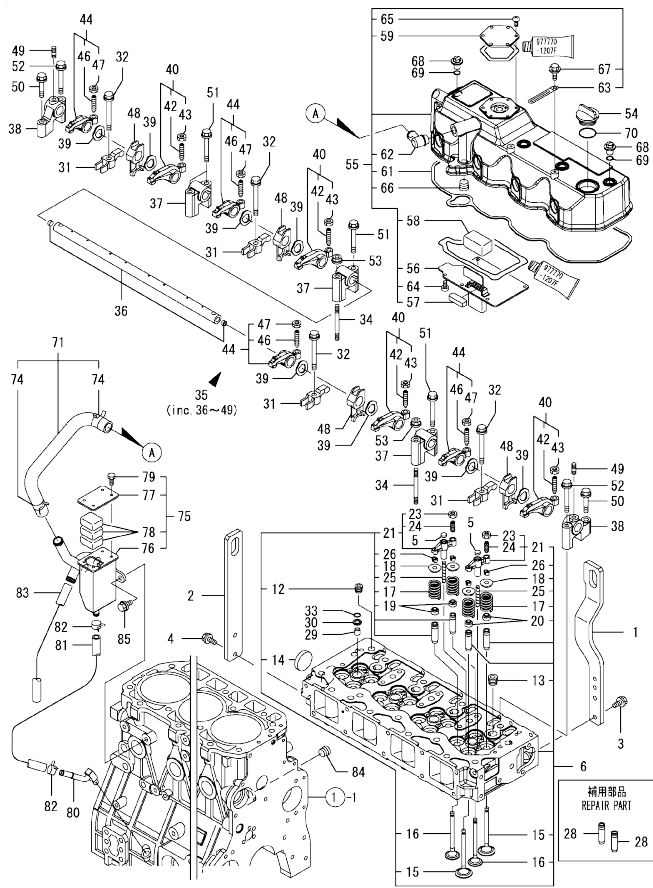
(A)=4TNV98T-ZXLA1
(B)=
(C)=

(D)=
(E)=
(F)=



No.	Lev.	Parts No.	Description	Q'ty						I	R
				(A)	(B)	(C)	(D)	(E)	(F)		
1	1	129968-01600	FLANGE, MOUNTING	1							
2	1	26116-100202	BOLT, M10X 20 PLATED	9							
3	1	129956-01730	OIL PAN	1							
4	1	129972-01731	BOLT, M8X150	2							
5	1	129956-01760	COVER ASSY, OIL SUMP	1							
6	2	105425-01690	PLUG, M16	2							
8	2	22190-160002	WASHER, SEAL 16	2							
9	1	129693-44310	BOLT	16							
10	1	129001-91841	BOLT, M8X87	3							
11	1	22190-080002	WASHER, SEAL 8	4							
12	1	26106-080252	BOLT, M8X 25 PLATED	14							
13	1	129956-01640	CASE ASSY, OIL SEAL	1							
15	2	124411-01780	SEAL, HTC95X115X12	1							
16	1	26106-080302	BOLT, M8X 30 PLATED	9							

Fig.4. CYLINDER HEAD & BONNET



(A)=4TNV98T-ZXLA1
(B)=
(C)=

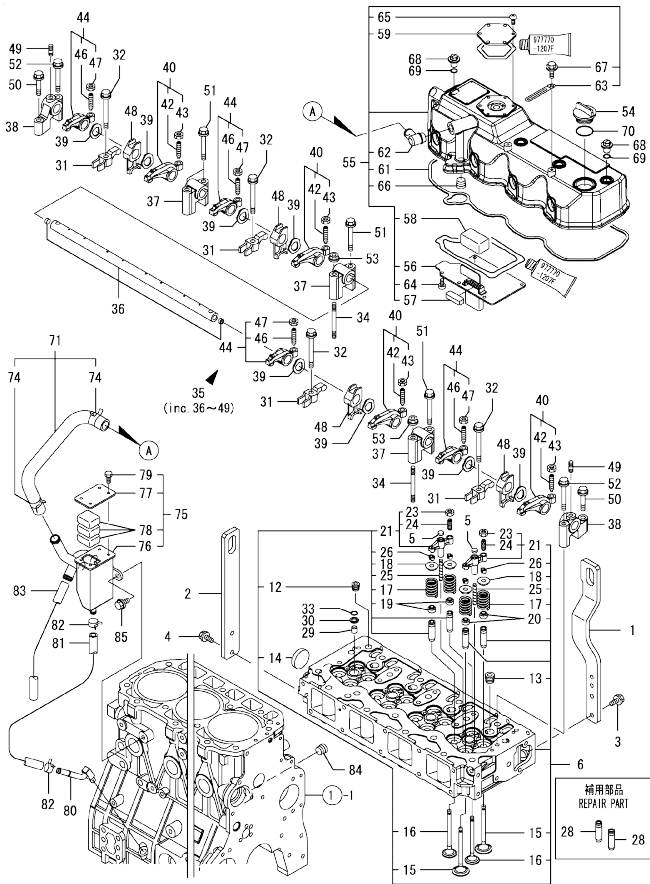
(D)=
(E)=
(F)=

No.	Lev.	Parts No.	Description	(A)	(B)	(C)	(D)	(E)	(F)	Q'ty	I	R
1	1	129973-07901	LIFTER							1		
2	1	129973-07910	LIFTER							1		
3	1	26106-080202	BOLT, M8X 20 PLATED							2		
4	1	26106-080202	BOLT, M8X 20 PLATED							2		
5	1	123907-11550	SEAT, VALVE BRIDGE							8		
6	1	129928-11700	HEAD ASSY, CYLINDER							1		
12	2	23876-020000	PLUG, R02							1		
13	2	23876-030000	PLUG, R03							4		
14	2	27241-400000	PLUG, 40							1		
15	2	129907-11100	VALVE, SUCTION							8		
16	2	129907-11110	VALVE, EXHAUST							8		
17	2	129907-11120	SPRING, VALVE							16		
18	2	119620-11180	RETAINER, SPRING							16		
19	2	119803-11340	SEAL, VALVE STEM							8		
20	2	124160-11340	SEAL, VALVE STEM							8		
21	2	129907-11510	BRIDGE ASSY, VALVE							8		
23	3	129150-11750	NUT, M8							8		
24	3	123907-11830	ADJUSTER							8		
25	2	123907-11820	GUIDE, BRIDGE							8		
26	2	27310-070001	COTTER, 7							16		
28	1	129907-11800	GUIDE, VALVE							16		1
29	1	119802-11870	PROTECTOR, NOZZLE							4		
30	1	119625-11880	SEAT, NOZZLE							4		
31	1	129907-11910	RETAINER, NOZZLE							4		
32	1	129907-11950	BOLT, M8X75							4		
33	1	24311-000120	O-RING, 1AP12.0							4		
34	1	119593-11301	BOLT, STUD M8X80							2		
35	1	129907-11341	SHAFT ASSY, ROCKER							1		
36	2	129907-11250	SHAFT, ROCKER ARM							1		
37	2	129907-11260	SUPPORT, ROCKER ARM							3		
38	2	129907-11270	SUPPORT, ROCKER ARM							2		
39	2	123907-11280	WASHER							8		
40	2	129907-11650	ARM ASSY, ROCKER							4		
42	3	129150-11230	SCREW, VALVE ADJUST							4		
43	3	129150-11750	NUT, M8							4		
44	2	129907-11660	ARM ASSY, ROCKER							4		
46	3	129150-11230	SCREW, VALVE ADJUST							4		
47	3	129150-11750	NUT, M8							4		
48	2	129907-11920	RETAINER, NOZZLE							4		
49	2	26226-080222	STUD, M8X 22							2		
50	1	26106-080402	BOLT, M8X 40 PLATED							2		
51	1	26106-080602	BOLT, M8X 60 PLATED							4		
52	1	26106-080602	BOLT, M8X 60 PLATED							2		
53	1	26306-080002	NUT, M8							2		
54	1	124160-01751	CAP, FILLER							1		
55	1	129973-11320	BONNET ASSY, HEAD							1		
56	2	129907-03011	PLATE, BAFFLE							1		
57	2	129907-03061	BAFFLE, BREATHER							1		
58	2	129907-03070	BAFFLE, BREATHER							1		
59	2	123908-03199	PLATE, BREATHER							1		
61	2	129933-11310	GASKET, BONNET							1		

Remarks
(1) REPAIR PART.

N:Old $\frac{New}{Old}$ New, Q:Old $\frac{New}{Old}$ New, R:Old $\frac{New}{Old}$ New, S:Old $\frac{New}{Old}$ New, W:Add, Z:Discontinued, F:Interchangeable by set, K:Q'ty Change
++ CONTINUE ++
Copyright (C) YANMAR GLOBAL CS CO., LTD. All Rights Reserved.

Fig.4. CYLINDER HEAD & BONNET



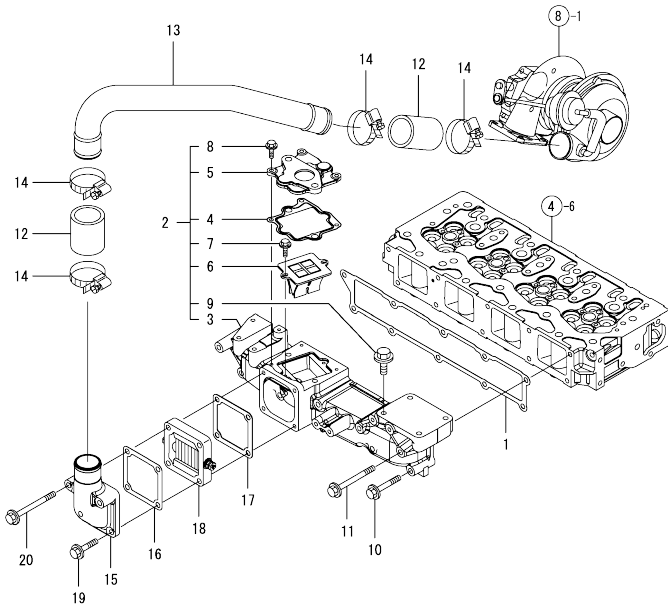
(A)=4TNV98T-ZXLA1
(B)=
(C)=

(D)=
(E)=
(F)=

No.	Lev.	Parts No.	Description	Qty						I	R	
				(A)	(B)	(C)	(D)	(E)	(F)			
62	2	119100-11330	ELBOW, BREATHER	1								
63	2	129509-79700	CLAMP, 140-M6	1								
64	2	22857-500100	SCREW, 5X10	6								
65	2	22857-500120	SCREW, 5X12	6								
66	2	23876-030000	PLUG, R03	1								
67	2	26106-060122	BOLT, M6X 12 PLATED	1								
68	1	124160-11360	KNOB	4								
69	1	24311-000120	O-RING, 1AP12.0	4								
70	1	24311-000320	O-RING, 1AP32.0	1								
71	1	129973-03030	HOSE ASSY, BREATHER	1								
74	2	129410-03990	CLAMP, HOSE 21.5	2								
75	1	129972-03200	SEPARATOR ASSY, MIST	1								
76	2	129972-03210	SEPARATOR, MIST	1								
77	2	129972-03220	COVER, SEPARATOR	1								
78	2	123901-03240	FILTER	3								
79	2	26116-050102	BOLT, M5X 10 PLATED	4								
80	1	129972-03280	JOINT, BREATHER	1								
81	1	129972-03310	HOSE	1								
82	1	23000-022000	CLAMP, 22	2								
83	1	23065-160500	PIPE, 16X 500	1								
84	1	23876-030000	PLUG, R03	1								
85	1	26106-080142	BOLT, M8X 14 PLATED	2								

Remarks
(1) REPAIR PART.

Fig.5. SUCTION MANIFOLD

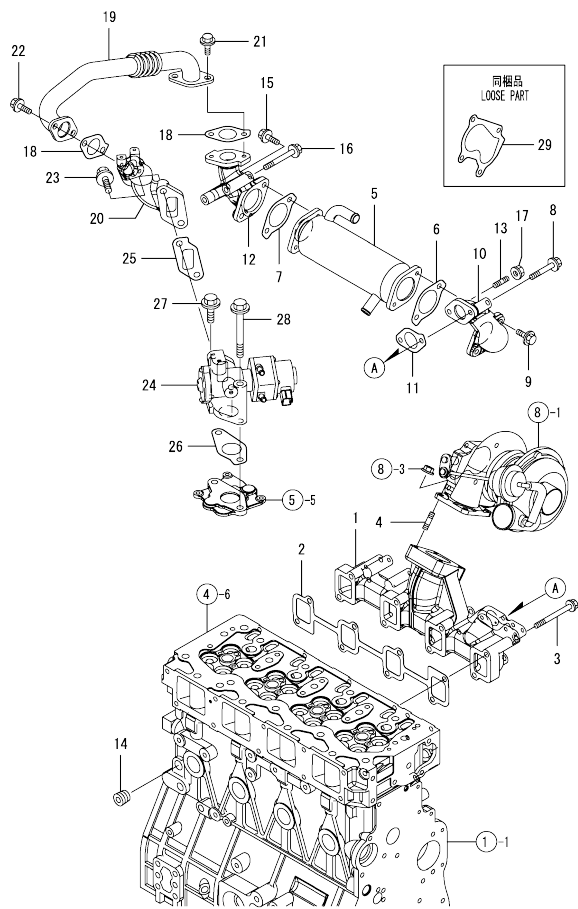


(A)=4TNV98T-ZXLA1
(B)=
(C)=

(D)=
(E)=
(F)=

No.	Lev.	Parts No.	Description	Q'ty						I	R
				(A)	(B)	(C)	(D)	(E)	(F)		
1	1	129907-12110	GASKET, MANIFOLD	1							
2	1	129973-12160	MANIFOLD ASSY,INTAKE	1							
3	2	129973-12100	MANIFOLD, AIR INTAKE	1							
4	2	129973-12110	GASKET	1							
5	2	129973-12200	SPACER	1							
6	2	129928-13700	VALVE, LEAD	1							
7	2	26106-060142	BOLT, M6X 14 PLATED	2							
8	2	26106-060182	BOLT, M6X 18 PLATED	3							
9	2	26106-100162	BOLT, M10X 16 PLATED	1							
10	1	26106-080552	BOLT, M8X 55 PLATED	5							
11	1	26106-080852	BOLT, M8X 85 PLATED	5							
12	1	123951-18220	JOINT, RUBBER	2							
13	1	129973-18250	DUCT, AIR	1							
14	1	23000-054000	CLAMP, 54	4							
15	1	129973-12850	BEND, INTAKE	1							
16	1	119129-77020	GASKET	1							
17	1	121850-77021	GASKET, AIR HEATER	1							
18	1	119005-77051	HEATER, AIR	1							
19	1	26106-080402	BOLT, M8X 40 PLATED	2							
20	1	26106-080702	BOLT, M8X 70 PLATED	2							

Fig.6. EXHAUST MANIFOLD

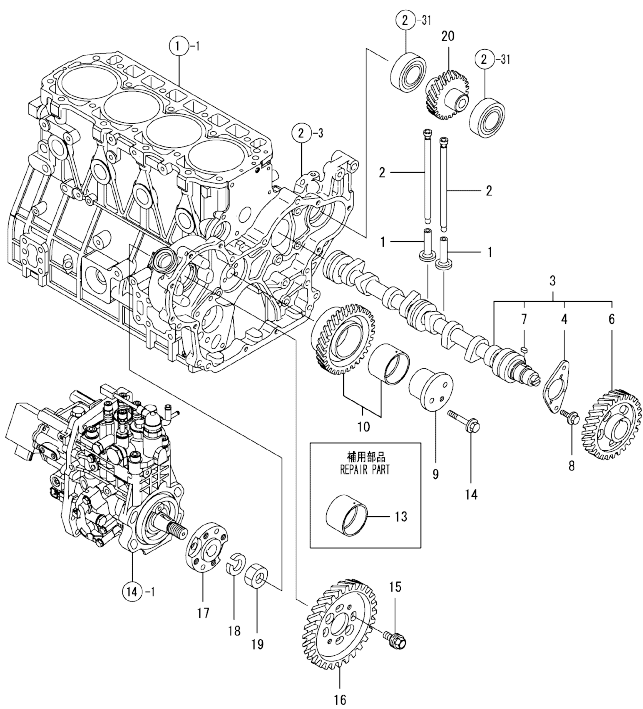


(A)=4TNV98T-ZXLA1
(B)=
(C)=

(D)=
(E)=
(F)=

No.	Lev.	Parts No.	Description	Qty						I	R
				(A)	(B)	(C)	(D)	(E)	(F)		
1	1	129973-13110	MANIFOLD, EXHAUST	1							
2	1	129900-13251	GASKET, EXH.MANIFOLD	1							
3	1	123900-13630	BOLT, M8X80	8							
4	1	129418-18320	BOLT, STUD M8X20	4							
5	1	129973-13400	COOLER, EGR	1							
6	1	129928-13410	GASKET	1							
7	1	129928-13410	GASKET	1							
8	1	119802-13620	BOLT, M8X50	1							
9	1	119802-13790	BOLT, M8X25 10.9T	2							
10	1	129973-13800	BEND	1							
10-1	1	129973-13801	BEND,EGR COOLER IN	1							N
(A=EZZZZZ)											
11	1	129927-13810	GASKET	1							
12	1	129973-13810	BEND	1							
12-1	1	129973-13811	BEND,EGR COOLER OUT	1							N
(A=EZZZZZ)											
13	1	129418-18320	BOLT, STUD M8X20	1							
14	1	23876-030000	PLUG, R03	1							
15	1	26106-080222	BOLT, M8X 22 PLATED	2							
16	1	26106-080652	BOLT, M8X 65 PLATED	2							
17	1	26306-080002	NUT, M8	1							
18	1	129927-13810	GASKET	2							
19	1	129973-13820	PIPE ASSY	1							
20	1	129973-13840	PIPE	1							
21	1	26106-080162	BOLT, M8X 16 PLATED	2							
22	1	26106-080162	BOLT, M8X 16 PLATED	2							
23	1	26106-100302	BOLT, M10X 30 PLATED	2							
24	1	129927-13900	VALVE, EGR	1							
25	1	129927-13910	GASKET, EGR	1							
26	1	129927-13920	GASKET, EGR	1							
27	1	26106-100402	BOLT, M10X 40 PLATED	1							
28	1	26106-101052	BOLT, M10X105 PLATED	1							
29	1	123901-18080	GASKET	1							

Fig.7. CAMSHAFT & DRIVING GEAR



(A)=4TNV98T-ZXLA1
(B)=
(C)=

(D)=
(E)=
(F)=

No.	Lev.	Parts No.	Description	Q'ty						I	R
				(A)	(B)	(C)	(D)	(E)	(F)		
1	1	129150-14200	TAPPET	8							
2	1	129907-14400	PUSH-ROD	8							
3	1	129908-14590	CAMSHAFT ASSY	1							
4	2	129150-02450	BEARING, THRUST	1							
6	2	129900-14110	GEAR, CAMSHAFT	1							
7	2	22512-070140	KEY, 7X 14	1							
8	1	26106-080162	BOLT, M8X 16 PLATED	2							
9	1	123900-25060	SHAFT, IDLE GEAR	1							
10	1	129900-25110	GEAR ASSY, IDLE	1							
13	1	129150-25920	BUSH, IDLE GEAR	1							1
14	1	26106-080552	BOLT, M8X 55 PLATED	3							
15	1	129953-25300	BOLT	4							
16	1	129907-25900	GEAR, PUMP	1							
17	1	158563-51150	FLANGE	1							
18	1	22217-180000	WASHER, SPRING 18	1							
19	1	26776-180002	NUT, LOCK M18	1							
20	1	129900-26030	GEAR ASSY, PUMP	1							

Remarks
(1) REPAIR PART.

0CW10-M34400 4TNV98T-ZXLA1

Fig.8. TURBINE

0CW10-M34400 Fig.8

(A)=4TNV98T-ZXLA1
(B)=
(C)=

(D)=
(E)=
(F)=

No.	Lev.	Parts No.	Description	Q'ty					
				(A)	(B)	(C)	(D)	(E)	(F)
1	1	129908-18010	TURBOCHARGER, RHF5	1					
2	1	129472-18090	GASKET	1					
3	1	26306-080002	NUT, M8	4					

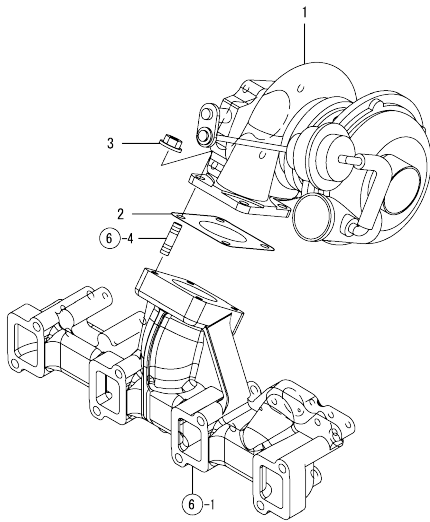
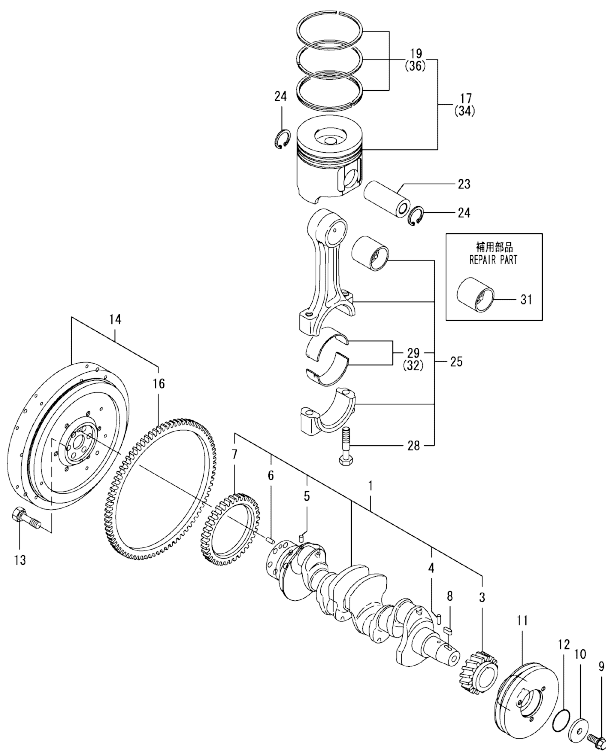


Fig.9. CRANKSHAFT & PISTON



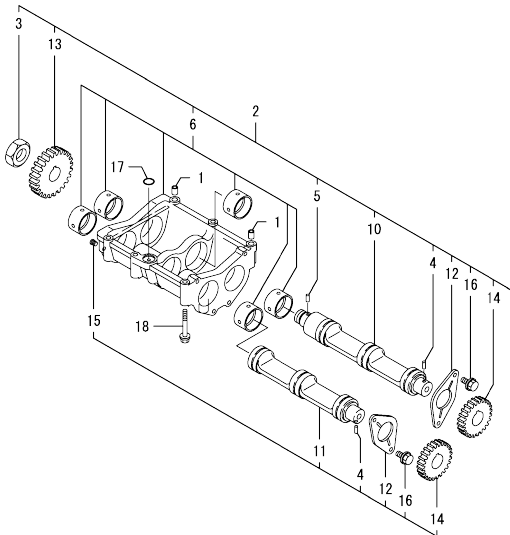
(A)=4TNV98T-ZXLA1
(B)=
(C)=

(D)=
(E)=
(F)=

No.	Lev.	Parts No.	Description	Q'ty						I	R
				(A)	(B)	(C)	(D)	(E)	(F)		
1	1	129942-21000	CRANKSHAFT ASSY	1							
3	2	129900-21220	GEAR, CRANKSHAFT	1							
4	2	121850-21290	PIN	1							
5	2	121850-21290	PIN	1							
6	2	121850-21920	PIN, PARALLEL 10X22	1							
7	2	129956-28321	GEAR, BALANCER	1							
8	1	22512-070140	KEY, 7X 14	1							
9	1	129916-21610	BOLT	1							
10	1	129960-21640	WASHER	1							
11	1	129968-21650	V-PULLEY, 155	1							
12	1	24341-000530	O-RING, 1AS53.0	1							
13	1	121850-21130	BOLT, FLYWHEEL	6							
14	1	129968-21590	FLYWHEEL ASSY	1							
16	2	129900-21600	GEAR, RING	1							
17	1	129928-22080	PISTON ASSY	4							
19	2	129927-22050	RING SET, PISTON	4							
23	1	120130-22301	PIN, PISTON	4							
24	1	22252-000300	RING, 30	8							
25	1	129900-23001	ROD ASSY, CONNECTING	4							
28	2	129900-23200	BOLT, CONNECTING ROD	8							
29	2	129900-23601	BEARING, CRANK PIN	4							
31	1	129900-23911	BEARING, PISTON PIN	4							1
32	1	129900-23611	BEARING ASSY, 0.25US	4							2
34	1	729928-22900	PISTON ASSY, 0.25 OS	4							3
36	2	729927-22950	RING SET, 0.25 OS	4							3

Remarks
(1) REPAIR PART.
(2) UNDER-SIZED(U.S=0.25)PART.
(3) OVER-SIZED(O.S=0.25)PART.

Fig.10. BALANCER

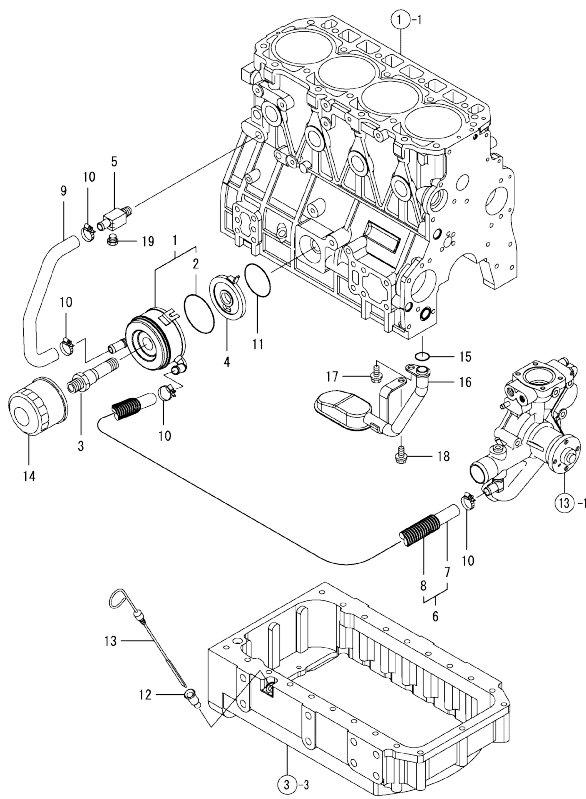


(A)=4TNV98T-ZXLA1
(B)=
(C)=

(D)=
(E)=
(F)=

No.	Lev.	Parts No.	Description	Q'ty						I	R
				(A)	(B)	(C)	(D)	(E)	(F)		
1	1	129795-01960	PIPE, DOWEL 11X12	2							
2	1	129956-28009	BALANCER ASSY	1							
3	2	128610-14120	NUT, END	1							
4	2	121850-21290	PIN	2							
5	2	121850-21290	PIN	1							
6	2	129956-28019	CASE ASSY, BALANCER	1							
10	2	129956-28101	SHAFT, BALANCER	1							
11	2	129956-28111	SHAFT, BALANCER	1							
12	2	129956-28180	PLATE, THRUST	2							
13	2	129956-28332	GEAR, BALANCER	1							
14	2	129956-28341	GEAR, BALANCER	2							
15	2	23876-005000	PLUG, R005	1							
16	2	26106-080162	BOLT, M8X 16 PLATED	4							
17	1	24311-000200	O-RING, 1AP20.0	1							
18	1	26106-080602	BOLT, M8X 60 PLATED	6							

Fig.11. LUB.OIL SYSTEM



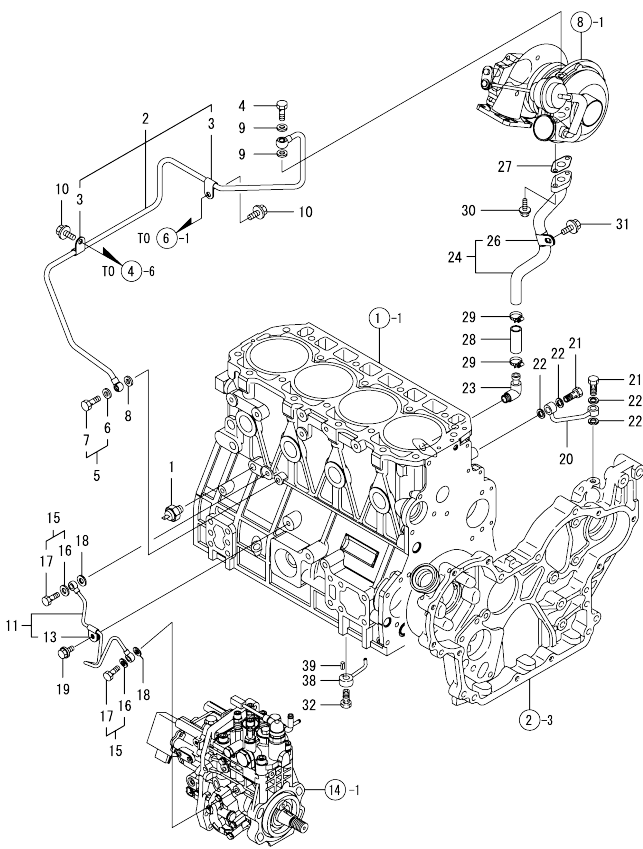
(A)=4TNV98T-ZXLA1
(B)=
(C)=

(D)=
(E)=
(F)=

No.	Lev.	Parts No.	Description	Q'ty						I	R
				(A)	(B)	(C)	(D)	(E)	(F)		
1	1	129908-33010	COOLER ASSY, OIL	1							
2	2	123912-33050	O-RING	1							
3	1	123912-33100	BOLT, COOLER	1							
4	1	129908-33101	BRACKET, OIL COOLER	1							
5	1	129006-44480	JOINT	1							
6	1	129403-49060	PIPE ASSY, WATER	1							
7	2	129403-49050	HOSE, WATER	1							
8	2	129956-49230	TUBE, CORRUGATED	1							
9	1	129908-49060	HOSE, WATER	1							
10	1	23000-025000	CLAMP, 25	4							
11	1	24321-000600	O-RING, 1AG60.0	1							
12	1	119860-34810	GUIDE, DIPSTICK	1							
13	1	129956-34820	DIPSTICK, OIL	1							
14	1	129150-35153	FILTER ASSY, D80X80L	1							1
15	1	129900-32030	O-RING, P20	1							
16	1	129956-35100	PIPE ASSY, OIL INLET	1							
17	1	26106-080142	BOLT, M8X 14 PLATED	1							
18	1	26106-080202	BOLT, M8X 20 PLATED	1							
19	1	171056-49120	PLUG, DRAIN R1/4	1							

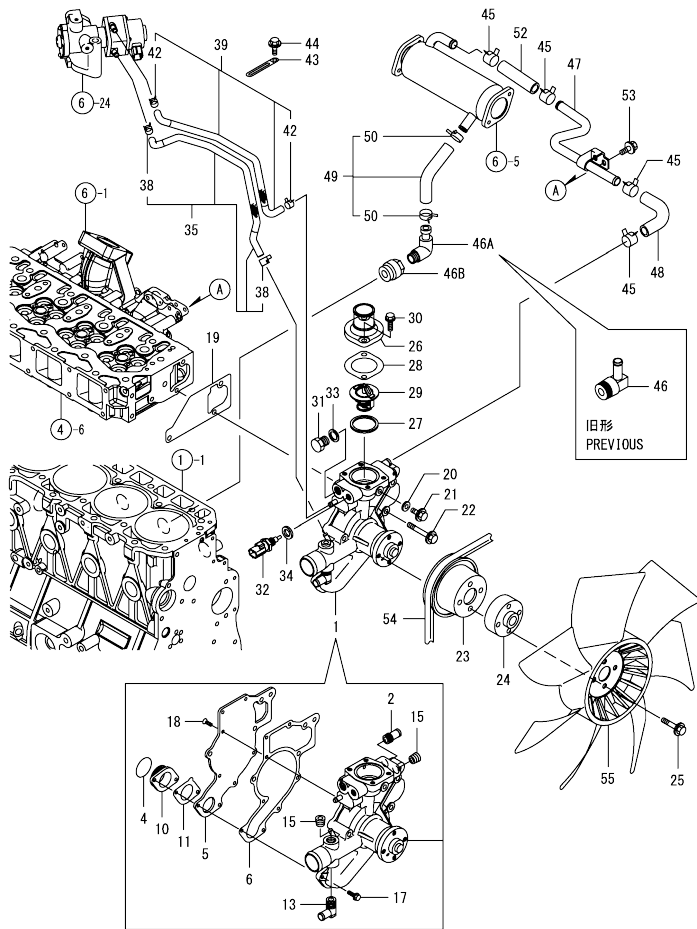
Remarks
(1) REPAIR PART.

Fig.12. LUB.OIL LINE



No.	Lev.	Parts No.	Description	Q'ty						I	R
				(A)	(B)	(C)	(D)	(E)	(F)		
1	1	119761-39450	SWITCH, HYDRAULIC	1							
2	1	129973-39070	PIPE ASSY, OIL	1							
3	2	124223-39900	RETAINER	2							
4	1	121252-39150	BOLT, JOINT M10X1.5	1							
5	1	129005-59830	BOLT ASSY, JOINT M8	1							
6	2	22190-080002	WASHER, SEAL 6	1							
7	2	23857-030000	BOLT, JOINT 3	1							
8	1	22190-080002	WASHER, SEAL 6	1							
9	1	23414-100000	GASKET, 10X1.0	2							
10	1	26106-080122	BOLT, M8X 12 PLATED	2							
11	1	129927-39060	PIPE ASSY, OIL	1							
13	2	123907-39500	RETAINER, PIPE	1							
15	1	129005-59830	BOLT ASSY, JOINT M8	2							
16	2	22190-080002	WASHER, SEAL 6	2							
17	2	23857-030000	BOLT, JOINT 3	2							
18	1	22190-080002	WASHER, SEAL 6	2							
19	1	26106-080122	BOLT, M8X 12 PLATED	1							
20	1	129930-39050	PIPE, OIL	1							
21	1	105010-39140	BOLT, PIPE JOINT	2							
22	1	22190-080002	WASHER, SEAL 6	4							
23	1	124070-13300	ELBOW, PT3/8	1							
24	1	129973-39670	PIPE ASSY, OIL	1							
26	2	123910-39850	RETAINER	1							
27	1	129908-39690	GASKET	1							
28	1	129974-39820	HOSE, LO RETURN	1							
29	1	23000-025000	CLAMP, 25	2							
30	1	26106-060162	BOLT, M6X 16 PLATED	2							
31	1	26106-080122	BOLT, M8X 12 PLATED	1							
32	1	129908-39410	VALVE ASSY, CHECK	4							
38	1	119000-39650	NOZZLE, COOLING	4							
39	1	22351-030010	PIN, SPRING 3.0X10	4							

Fig.13. COOLING WATER SYSTEM



(A)=4TNV98T-ZXLA1
(B)=
(C)=

(D)=
(E)=
(F)=

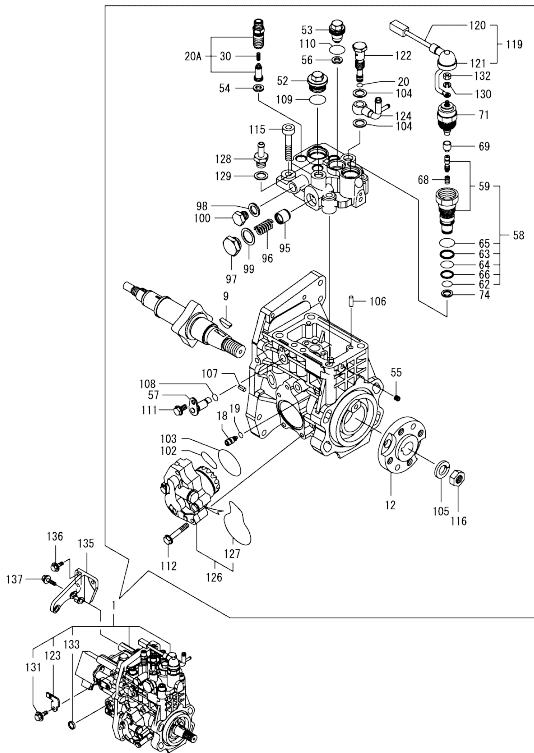
No.	Lev.	Parts No.	Description	Q'ty						I	R
				(A)	(B)	(C)	(D)	(E)	(F)		
1	1	129973-42020	PUMP ASSY, WATER	1							
2	2	121851-11970	JOINT, PIPE	1							
4	2	129900-42140	O-RING, P36	1							
5	2	129917-42160	COVER	1							
6	2	129917-42170	GASKET	1							
10	2	129917-42300	FLANGE	1							
11	2	129917-42310	GASKET	1							
13	2	119852-49300	ELBOW, R3/8	1							
15	2	129916-49740	PLUG, R3/8	2							
17	2	26106-060202	BOLT, M6X 20 PLATED	2							
18	2	26577-060142	SCREW M 6X 14	6							
19	1	129900-42061	GASKET, WATER PUMP	1							
20	1	23414-080000	GASKET, 8X1.0	1							
21	1	26106-080122	BOLT, M8X 12 PLATED	1							
22	1	26106-080552	BOLT, M8X 55 PLATED	3							
23	1	129930-42450	V-PULLEY, C.W.PUMP	1							
24	1	129935-44710	SPACER, FAN	1							
25	1	26106-080402	BOLT, M8X 40 PLATED	4							
26	1	129981-49531	COVER, THERMOSTAT	1							
27	1	121850-49550	GASKET, THERMOSTAT	1							
28	1	129900-49560	GASKET	1							
29	1	121850-49800	THERMOSTAT, 82C	1							
30	1	26106-080252	BOLT, M8X 25 PLATED	2							
31	1	121450-42450	PLUG, M16	1							
32	1	129927-44900	SENSOR, WATER TEMP.	1							
33	1	124465-44950	GASKET, 16	1							
34	1	22190-120002	WASHER, SEAL 12	1							
35	1	129968-49630	PIPE, WATER	1							
38	2	23080-012000	CLAMP, 12	2							
39	1	129968-49640	PIPE, WATER	1							
42	2	23080-012000	CLAMP, 12	2							
43	1	175339-79700	CLIP	1							
44	1	26106-060122	BOLT, M6X 12 PLATED	1							
45	1	129960-03990	CLAMP, HOSE 19.8	4							
46	1	129973-49100	ELBOW	1							Z
(A=2009.02)											
46A	1	124070-13300	ELBOW, PT3/8	1							W
(A=2009.02)											
46B	1	129973-49110	JOINT	1							W
(A=2009.02)											
47	1	129973-49650	PIPE, WATER	1							
48	1	129973-49660	PIPE, WATER	1							
49	1	129973-49740	PIPE ASSY, WATER	1							
50	2	129960-03990	CLAMP, HOSE 19.8	2							
52	1	129973-49780	JOINT	1							
53	1	26106-080122	BOLT, M8X 12 PLATED	2							
54	1	129953-42290	V-BELT, A45	1							
55	1	129907-44740	FAN, COOLING D430X7	1							

N:Old $\frac{100}{100}$ New, Q:Old $\frac{100}{100}$ New, R:Old $\frac{100}{100}$ New, S:Old $\frac{100}{100}$ New, W:Add, Z:Discontinued, F:Interchangeable by set, K:Q'ty Change
Copyright (C) YANMAR GLOBAL CS CO., LTD. All Rights Reserved.

Fig.14. FUEL INJECTION PUMP

(A)=4TNV98T-ZXLA1
(B)=
(C)=

(D)=
(E)=
(F)=

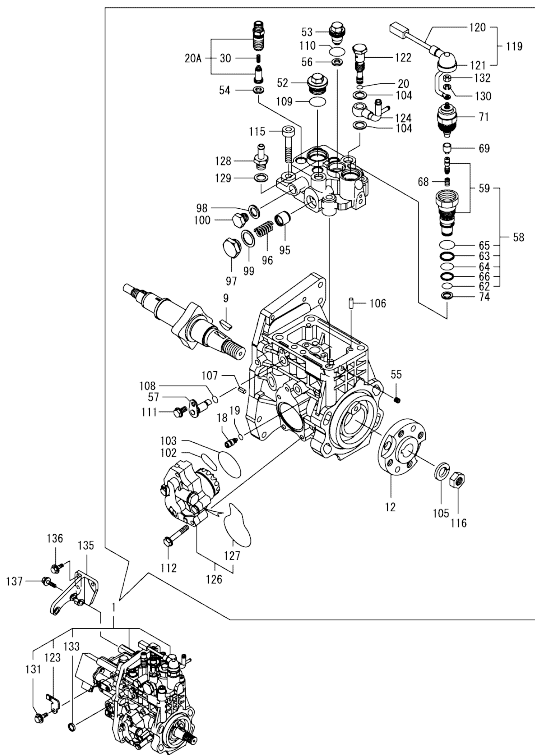


No.	Lev.	Parts No.	Description	(A)	(B)	(C)	(D)	(E)	(F)	I	R
1	1	729973-51310	PUMP ASSY, INJECTION	1							1
9	2	144626-51090	FEATHER KEY, 5X19	1							
12	2	158563-51150	FLANGE	1							
18	2	158600-51270	STOPPER, TAPPET	1							
19	2	158563-51281	O-RING, 4D S6	1							
20	2	158563-51281	O-RING, 4D S6	1							
20A	2	129928-51390	VALVE ASSY, DELIVERY	4							W
(A=2008.04.)											
30	3	158563-51330	SPRING, DELIVERY	4							
52	2	158601-51550	PLUG, M22	1							
53	2	129907-51560	PLUG, M16	1							
54	2	158552-51570	GASKET, PLUG	4							
55	2	158557-51570	PLUG, RACK	1							
56	2	129906-51580	GASKET, PLUG	1							
57	2	158552-51580	LIFTER, LINK	1							
58	2	129657-51590	TIMER ASSY	1							
59	3	129657-51600	TIMER ASSY	1							
62	3	158553-51670	O-RING	1							
63	3	119802-51680	RING, BACKUP	1							
64	3	119802-51690	O-RING	1							
65	3	24356-010200	O-RING, 4D1020	1							
66	3	24372-000150	RING, BACK UP T2P15	1							
68	2	119852-51630	SPRING, TIMER	1							
69	2	119852-51640	CAP, TIMER	1							
71	2	119852-51650	VALVE ASSY, SOLENOID	1							
74	2	158553-51680	GASKET, TIMER	1							
95	2	158601-51770	PISTON, ACCUMULATOR	1							
96	2	158552-51781	SPRING, ACCUMULATOR	1							
97	2	158601-51790	PLUG	1							
98	2	22190-120002	WASHER, SEAL 12	1							
99	2	22190-180002	WASHER, SEAL 18	1							
100	2	23887-120002	PLUG, 12	1							
102	2	158552-52310	O-RING	1							
103	2	158552-52400	O-RING, 4E S42	1							
104	2	22190-120002	WASHER, SEAL 12	2							
105	2	22217-180000	WASHER, SPRING 18	1							
106	2	22312-050140	PIN, PARALLEL M5X14	2							
107	2	22351-050010	PIN, SPRING 5.0X10	2							
108	2	24311-000070	O-RING, 1AP7.0	1							
109	2	24356-010200	O-RING, 4D1020	1							
110	2	24356-020210	O-RING, 4D2021	1							
111	2	26106-060102	BOLT, M6X 10 PLATED	1							
112	2	26106-060352	BOLT, M6X 35 PLATED	4							
115	2	26450-100452	BOLT, M10X 45	4							
116	2	26776-180002	NUT, LOCK M18	1							
119	2	129927-51650	HARNES ASSY, WIRE	1							
120	3	129927-51660	HARNES	1							
121	3	129263-77941	CAP, RUBBER	1							
122	2	158601-51650	JOINT, OVER FLOW	1							
123	2	129927-51670	BRACKET	1							
124	2	158552-51670	JOINT, OVER FLOW	1							

Remarks

(1) GOVERNOR ASSY (FIG.15) IS INCORPORATED IN THIS FUEL INJECTION PUMP (REF.NO.1).
* ECO PUMP
MAKE SURE TO UPDATE THE ENGINES ECU INFORMATION WHEN REPLACING THE ECO PUMP.
FAILING TO DO SO WILL RESULT IN ENGINE MALFUNCTION.

Fig.14. FUEL INJECTION PUMP



(A)=4TNV98T-ZXLA1
(B)=
(C)=

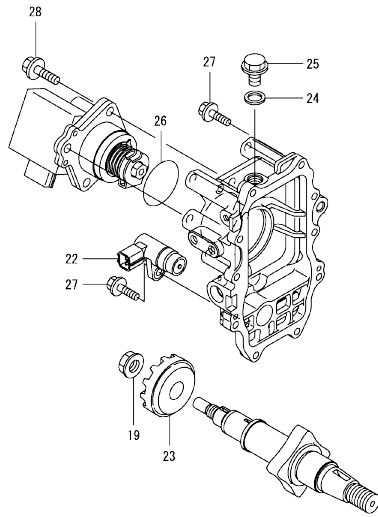
(D)=
(E)=
(F)=

No.	Lev.	Parts No.	Description	Q'ty						I	R
				(A)	(B)	(C)	(D)	(E)	(F)		
126	2	158552-52100	PUMP ASSY, FUEL FEED	1							
127	3	158552-52500	O-RING	1							
128	2	119934-59910	JOINT, PIPE	1							
129	2	22190-120002	WASHER, SEAL 12	1							
130	2	22217-050000	WASHER, SPRING 5	1							
131	2	26106-060122	BOLT, M6X 12 PLATED	1							
132	2	26716-050002	NUT, M5	1							
133	2	27241-160000	PLUG, 16	1							
135	1	129927-51250	RETAINER, PUMP	1							
136	1	26106-080202	BOLT, M8X 20 PLATED	3							
137	1	26106-080302	BOLT, M8X 30 PLATED	3							

Remarks

(1) GOVERNOR ASSY (FIG.15) IS INCORPORATED IN THIS FUEL INJECTION PUMP (REF.NO.1).
* ECO PUMP
MAKE SURE TO UPDATE THE ENGINES ECU INFORMATION WHEN REPLACING THE ECO PUMP.
FAILING TO DO SO WILL RESULT IN ENGINE MALFUNCTION.

Fig.15. GOVERNOR



(A)=4TNV98T-ZXLA1
(B)=
(C)=

(D)=
(E)=
(F)=

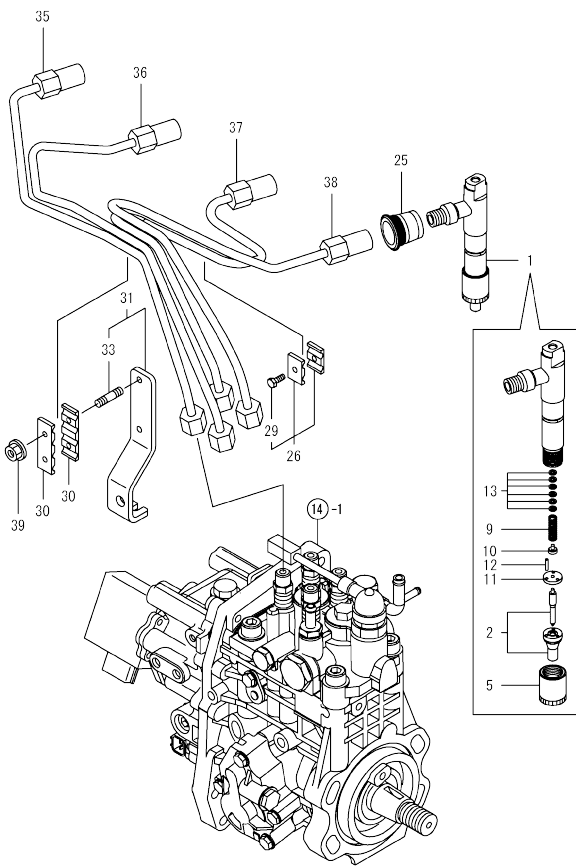
No.	Lev.	Parts No.	Description	Q'ty					
				(A)	(B)	(C)	(D)	(E)	(F)
19	2	129008-61301	NUT	1					
22	2	158557-61720	SENSOR	1					
23	2	158553-61780	GEAR, SENSOR	1					
24	2	23414-120000	GASKET, 12X1.0	1					
25	2	23887-120002	PLUG, 12	1					
26	2	24341-000480	O-RING, 1AS48.0	1					
27	2	26106-060252	BOLT, M6X 25 PLATED	10					
28	2	26106-080252	BOLT, M8X 25 PLATED	3					

Remarks
* THIS FIGURE(GOVERNOR ASSY)IS
INCORPORATED IN THE FUEL INJECTION
PUMP ASSY(FIG.14).

Fig.16. FUEL INJECTION VALVE

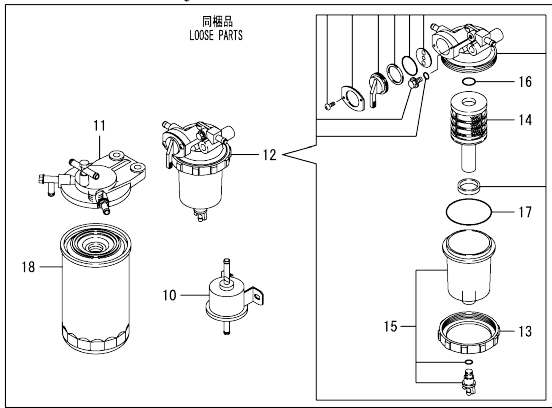
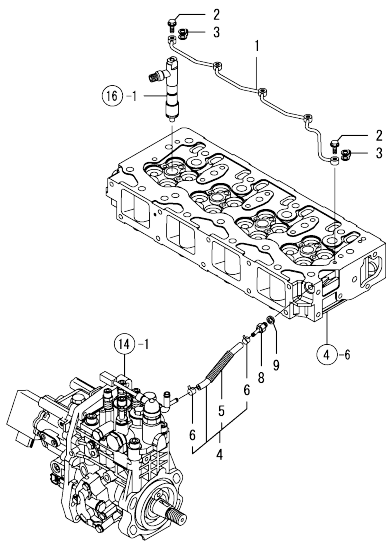
(A)=4TNV98T-ZXLA1
(B)=
(C)=

(D)=
(E)=
(F)=



No.	Lev.	Parts No.	Description	Q'ty						I	R
				(A)	(B)	(C)	(D)	(E)	(F)		
1	1	729928-53100	FUEL INJECTOR ASSY	4							
2	2	129928-53000	NOZZLE ASSY, F.I.	4							
5	2	114250-53080	NUT, NOZZLE	4							
9	2	114250-53120	SPRING, NOZZLE	4							
10	2	114250-53130	SEAT, SPRING	4							
11	2	114250-53140	SPACER	4							
12	2	114250-53210	PIN	8							
13	2	114250-53400	SHIM SET	4							
25	1	123907-11601	SEAL, PIPE	4							
26	1	119305-59120	RETAINER, PIPE	1							
29	2	129150-59131	BOLT, M4X14	1							
30	1	123472-59120	RETAINER, PIPE	2							
31	1	129973-59700	SUPPORT ASSY	1							
33	2	26216-060202	STUD, M6X20	2							
35	1	129973-59810	PIPE ASSY, INJECTION	1							
36	1	129973-59820	PIPE ASSY, INJECTION	1							
37	1	129973-59830	PIPE ASSY, INJECTION	1							
38	1	129973-59840	PIPE ASSY, INJECTION	1							
39	1	26366-060002	NUT, M6	2							

Fig.17. FUEL LINE

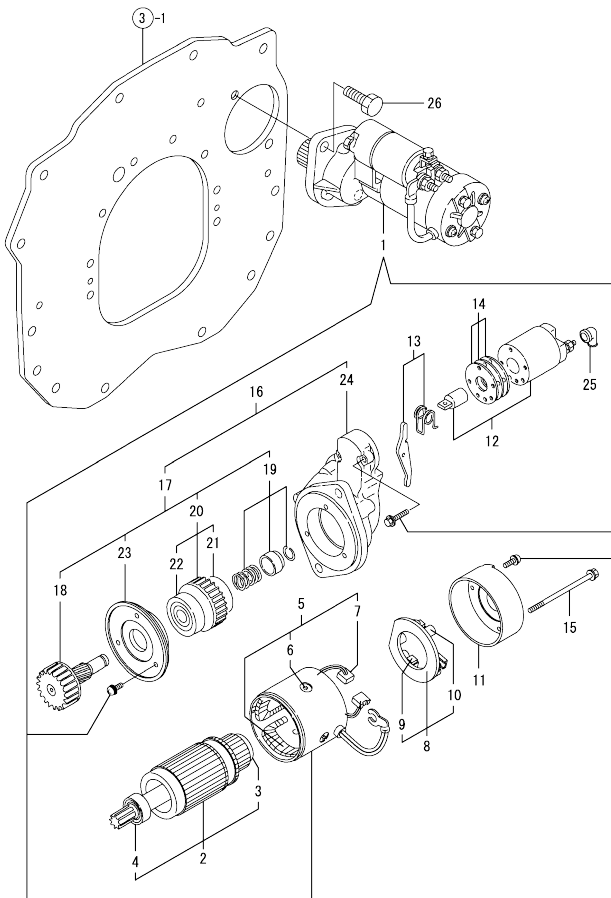


(A)=4TNV98T-ZXLA1
(B)=
(C)=

(D)=
(E)=
(F)=

No.	Lev.	Parts No.	Description	Q'ty						I	R
				(A)	(B)	(C)	(D)	(E)	(F)		
1	1	129907-59140	PIPE ASSY, RETURN	1							
2	1	123907-59540	BOLT, PIPE JOINT M6	5							
3	1	123907-59550	GASKET	5							
4	1	129927-59550	HOSE ASSY, RETURN	1							
5	2	129263-49750	TUBE, CORRUGATED	1							
6	2	124722-59050	CLAMP, HOSE 9	2							
8	1	123907-59560	JOINT, HOSE	1							
9	1	22190-080002	WASHER, SEAL 6	1							
10	1	119225-52102	PUMP, FUEL FEED	1							
11	1	129004-55612	BRACKET, FILTER	1							
12	1	119802-55700	SEPARATOR ASSY,WATER	1							
13	2	129100-55690	RING, CUP RETAINING	1							
14	2	119802-55710	ELEMENT	1							
15	2	119802-55730	CUP ASSY, SEPARATOR	1							
16	2	24311-000160	O-RING, 1AP16.0	1							
17	2	24321-000650	O-RING, 1AG65.0	1							
18	1	123907-55801	FILTER, FUEL	1							

Fig.18. STARTING MOTOR



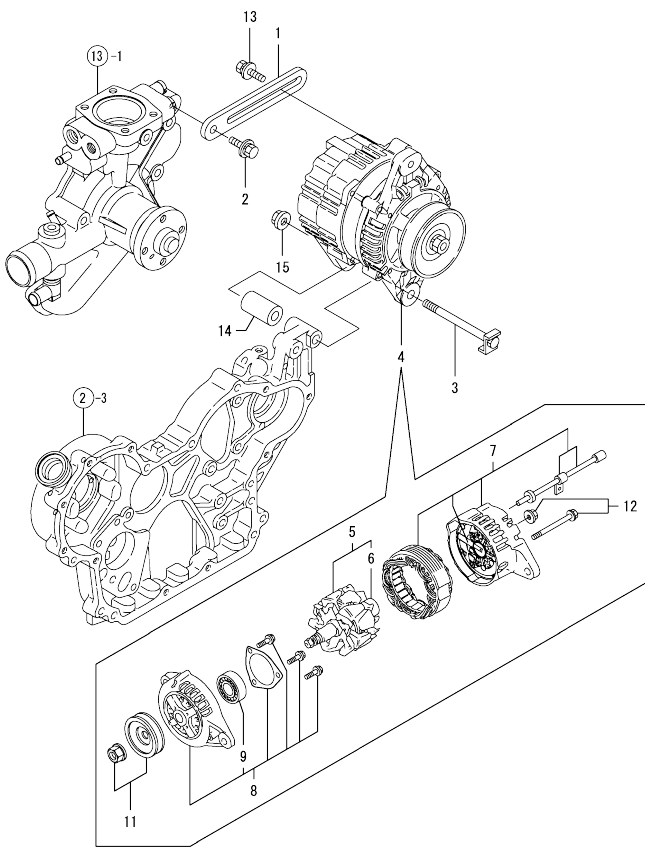
(A)=4TNV98T-ZXLA1
(B)=
(C)=

(D)=
(E)=
(F)=

No.	Lev.	Parts No.	Description	Q'ty					
				(A)	(B)	(C)	(D)	(E)	(F)
1	1	129900-77010	STARTER ASSY	1					
2	2	129900-77400	ARMATURE ASSY	1					
3	3	X2114155110	BEARING, BALL	1					
4	3	X2114255110	BEARING, BALL	1					
5	2	129900-77440	COIL ASSY, FIELD	1					
6	3	171008-77450	SCREW, CORE SET	4					
7	3	129900-77450	BRUSH	2					
8	2	129900-77480	HOLDER ASSY, BRUSH	1					
9	3	129900-77450	BRUSH	2					
10	3	X2130631300	SPRING, BRUSH	4					
11	2	129900-77460	COVER	1					
12	2	129900-77591	SWITCH ASSY, MAGNET	1					
13	2	129900-77620	LEVER SET	1					
14	2	129900-77650	COVER KIT, DUST	1					
15	2	129900-77640	BOLT, THROUGH	2					
16	2	129900-77700	CASE ASSY, GEAR	1					
17	3	129900-77510	PINION ASSY, W/CLUTCH	1					
18	4	129900-77540	SHAFT, PINION	1					
19	4	129900-77550	STOPPER SET, PINION	1					
20	4	129900-77520	CLUTCH ASSY	1					
21	5	171008-77730	BEARING, BALL	1					
22	5	171008-77740	BEARING, BALL	1					
23	4	129900-77610	RETAINER, BEARING	1					
24	3	129900-77710	CASE, GEAR	1					
25	2	171008-77750	COVER, TERMINAL	1					
26	1	26116-120202	BOLT, M12X 20 PLATED	1					

0CW10-M34400 4TNV98T-ZXLA1
 Fig.19. GENERATOR

0CW10-M34400 Fig.19

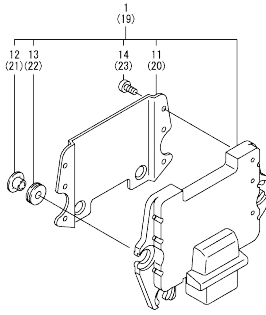


(A)=4TNV98T-ZXLA1
 (B)=
 (C)=

(D)=
 (E)=
 (F)=

No.	Lev.	Parts No.	Description	Q'ty						I	R
				(A)	(B)	(C)	(D)	(E)	(F)		
1	1	129900-77330	ADJUSTER, BELT	1							
2	1	26014-080252	BOLT, M8X 25	1							
3	1	129002-77280	BOLT ASSY	1							
3-1	1	129002-77281	BOLT, M10	1							N
		(A="2009.04)									
4	1	129612-77290	ALTERNATOR, 12V-80A	1							
5	2	123910-77740	ROTOR ASSY	1							
6	3	129900-77810	BEARING, BALL	1							
7	2	129612-77820	BRACKET ASSY	1							
8	2	129900-77890	BRACKET ASSY	1							
9	3	129900-77900	BEARING, BALL	1							
11	2	129900-77910	PULLEY	1							
12	2	129900-77920	SCREW KIT	1							
13	1	119810-77340	BOLT, ADJUST L=30	1							
14	1	129002-77340	PIECE, DISTANCE	1							
15	1	26306-100002	NUT, M10	1							

Fig.20. ELECTRONIC CONTROL UNIT (ECU)



(A)=4TNV98T-ZXLA1
(B)=
(C)=

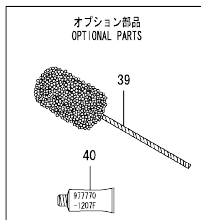
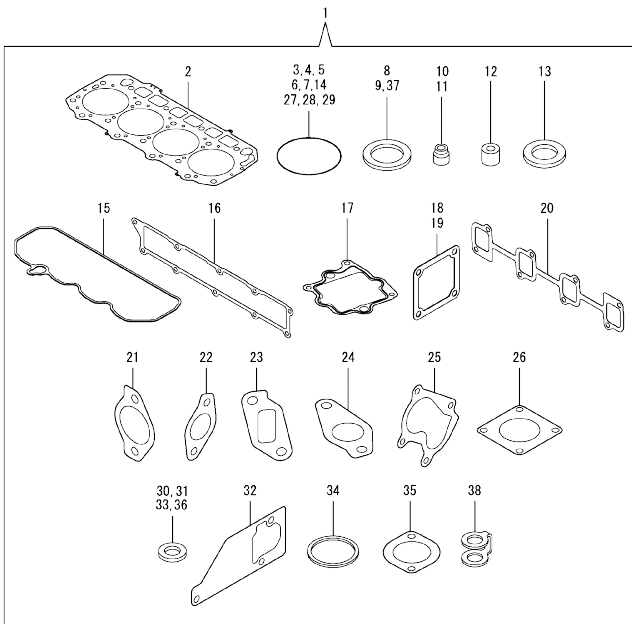
(D)=
(E)=
(F)=

No.	Lev.	Parts No.	Description	Q'ty						I	R
				(A)	(B)	(C)	(D)	(E)	(F)		
1	1	129973-75020	CONTROLLER ASSY, EUC	1							1
11	2	129927-77600	SHIELD, ECU	1							
12	2	129927-77680	COLLAR, CONTROL	3							
13	2	119578-91351	ABSORBER	3							
14	2	22877-500080	SCREW, 5X 8	6							
19	1	129927-75900	ECU ASSY, SERVICE	1							2
20	2	129927-77600	SHIELD, ECU	1							
21	2	129927-77680	COLLAR, CONTROL	3							
22	2	119578-91351	ABSORBER	3							
23	2	22877-500080	SCREW, 5X 8	6							

Remarks

(1)ECO ECU
THIS PART CANNOT BE ORDERED.
REPLACE THE PART USING A SERVICE
ECU WITH THE PROPER ENGINE
INFORMATION INSTALLED.
(2)SERVICE ECU
IF THE PROPER INFORMATION IS NOT
INSTALLED, THE ENGINE WILL NOT
OPERATE.
TO INSTALL PROPER INFORMATION,
GO TO AN AUTHORIZED DISTRIBUTOR.

Fig.21. GASKET SET

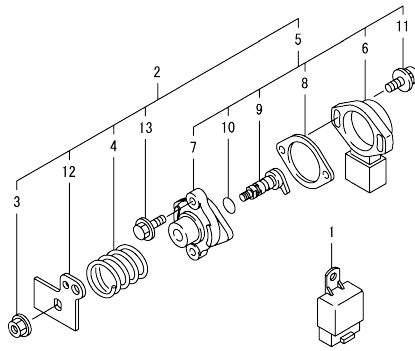


Remarks
(1) OPTIONAL PART.

(A)=4TNV98T-ZXLA1
(D)=
(E)=
(F)=

No.	Lev.	Parts No.	Description	Qty						I	R	
				(A)	(B)	(C)	(D)	(E)	(F)			
1	1	729973-92600	GASKET SET	1							1	
2	2	129907-01331	GASKET, HEAD	1								
3	2	129900-32030	O-RING, P20	2								
4	2	129900-32040	O-RING, P14	1								
5	2	24351-030750	O-RING, 1A3075	1								
6	2	24311-000320	O-RING, 1AP32.0	2								
7	2	24321-000850	O-RING, 1AG85.0	1								
8	2	22190-160002	WASHER, SEAL 16	2								
9	2	22190-080002	WASHER, SEAL 6	13								
10	2	119803-11340	SEAL, VALVE STEM	8								
11	2	124160-11340	SEAL, VALVE STEM	8								
12	2	119802-11870	PROTECTOR, NOZZLE	4								
13	2	119625-11880	SEAT, NOZZLE	4								
14	2	24311-000120	O-RING, 1AP12.0	8								
15	2	129933-11310	GASKET, BONNET	1								
16	2	129907-12110	GASKET, MANIFOLD	1								
17	2	129973-12110	GASKET	1								
18	2	119129-77020	GASKET	1								
19	2	121850-77021	GASKET, AIR HEATER	1								
20	2	129900-13251	GASKET, EXH.MANIFOLD	1								
21	2	129928-13410	GASKET	2								
22	2	129927-13810	GASKET	3								
23	2	129927-13910	GASKET, EGR	1								
24	2	129927-13920	GASKET, EGR	1								
25	2	123901-18080	GASKET	1								
26	2	129472-18090	GASKET	1								
27	2	24341-000530	O-RING, 1AS53.0	1								
28	2	24311-000200	O-RING, 1AP20.0	1								
29	2	24321-000600	O-RING, 1AG60.0	1								
30	2	23414-100000	GASKET, 10X1.0	2								
31	2	129908-39690	GASKET	1								
32	2	129900-42061	GASKET, WATER PUMP	1								
33	2	23414-080000	GASKET, 8X1.0	1								
34	2	121850-49550	GASKET, THERMOSTAT	1								
35	2	129900-49560	GASKET	1								
36	2	124465-44950	GASKET, 16	1								
37	2	22190-120002	WASHER, SEAL 12	1								
38	2	123907-59550	GASKET	5								
39	1	129400-92450	HONE, FLEX	1								1
40	1	97770-1207F	GASKET, LIQUID	1								1

Fig.22. LOOSE PART

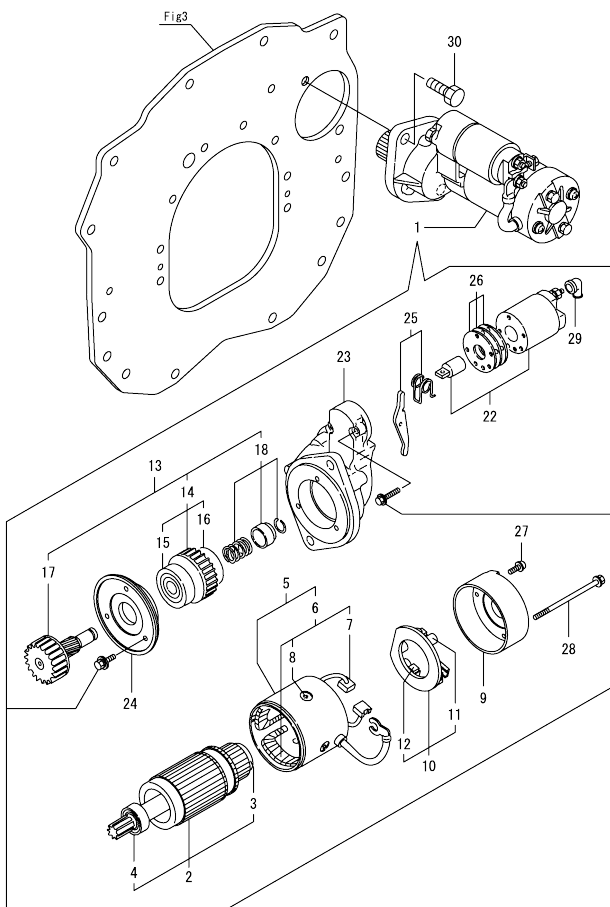


(A)=4TNV98T-ZXLA1
(B)=
(C)=

(D)=
(E)=
(F)=

No.	Lev.	Parts No.	Description	Q'ty					
				(A)	(B)	(C)	(D)	(E)	(F)
1	1	198461-52950	RELAY, CA TYPE C	2					
2	1	129938-77800	SENSOR ASSY, ACCEL	1					
3	2	194990-22130	NUT, M6	1					
4	2	119060-61990	SPRING, RETURN	1					
5	2	129054-77800	SENSOR ASSY, ACCEL	1					
6	3	185100-50070	BODY	1					
7	3	129054-77811	SUPPORT, SENSOR	1					
8	3	129054-77820	GASKET	1					
9	3	129054-77830	SHAFT ASSY	1					
10	3	24311-000070	O-RING, 1AP7.0	1					
11	3	26023-040202	SCREW, M4X20	2					
12	2	129938-77810	LEVER, SENSOR	1					
13	2	26106-060122	BOLT, M6X 12 PLATED	2					

Fig.23. (18A)STARTING MOTOR



(A)=4TNV98T-ZXLA1
(B)=
(C)=

(D)=
(E)=
(F)=

No.	Lev.	Parts No.	Description	Qty						I	R
				(A)	(B)	(C)	(D)	(E)	(F)		
1	1	129900-77040	STARTER ASSY	1							
2	2	129900-77120	ARMATURE ASSY	1							
3	3	171008-77410	BEARING, BALL	1							
4	3	171008-77420	BEARING, BALL	1							
5	2	129900-77130	YOKE ASSY	1							
6	3	129900-77140	COIL ASSY, FIELD	1							
7	4	129900-77450	BRUSH	2							
8	4	171008-77450	SCREW, CORE SET	4							
9	2	129900-77150	COVER	1							
10	2	129900-77160	HOLDER ASSY, BRUSH	1							
11	3	X2130631300	SPRING, BRUSH	4							
12	3	129900-77450	BRUSH	2							
13	2	129900-77170	CLUTCH ASSY	1							
14	3	129900-77180	CLUTCH ASSY	1							
15	4	129900-77190	BEARING, BALL	1							
16	4	X2114955020	BEARING, BALL	1							
17	3	129900-77270	SHAFT, PINION	1							
18	3	171008-77670	STOPPER SET, PINION	1							
22	2	129900-77280	SWITCH ASSY, MAGNET	1							
23	2	129900-77290	CASE, GEAR	1							
24	2	129900-77380	RETAINER, BEARING	1							
25	2	129900-77390	LEVER ASSY, SHIFT	1							
26	2	129900-77420	COVER KIT, DUST	1							
27	2	129900-77430	SCREW, M4X10	2							
28	2	129685-77640	BOLT, THROUGH	2							
29	2	171008-77750	COVER, TERMINAL	1							
30	1	26116-120202	BOLT, M12X 20 PLATED	2							

Parts No. Index

Parts No.	Fig. No.	Ref. No.	Parts No.	Fig. No.	Ref. No.	Parts No.	Fig. No.	Ref. No.	Parts No.	Fig. No.	Ref. No.
105010-39140	12	21	121850-49550	13	27	129006-44480	11	5	129900-14140	2	30
105425-01690	3	6		21	34	129008-61301	15	19	129900-21220	9	3
114250-53080	16	5	121850-49800	13	29	129054-77800	22	5	129900-21600	9	16
114250-53120	16	9	121850-77021	5	17	129054-77811	22	7	129900-23001	9	25
114250-53130	16	10		21	19	129054-77820	22	8	129900-23200	9	28
114250-53140	16	11	121851-11970	13	2	129054-77830	22	9	129900-23601	9	29
114250-53210	16	12	123472-59120	16	30	129100-01580	1	29	129900-23611	9	32
114250-53400	16	13	123900-13630	6	3			30	129900-23911	9	31
119000-39650	12	38	123900-25060	7	9		2	1	129900-25110	7	10
119005-77051	5	18	123901-03240	4	78	129100-55690	17	13	129900-26030	7	20
119060-61990	22	4	123901-18080	6	29	129150-02450	7	4	129900-26250	2	31
119100-11330	4	62		21	25	129150-11230	4	42	129900-32030	2	6
119129-77020	5	16	123907-11280	4	39			46		11	15
	21	18	123907-11550	4	5	129150-11750	4	23		21	3
119225-52102	17	10	123907-11601	16	25			43	129900-32040	2	7
119305-59120	16	26	123907-11820	4	25			47		21	4
119578-91351	20	13	123907-11830	4	24	129150-14200	7	1	129900-42061	13	19
		22	123907-39500	12	13	129150-25920	7	13		21	32
119593-11301	4	34	123907-55801	17	18	129150-35153	11	14	129900-42140	13	4
119620-11180	4	18	123907-59540	17	2	129150-59131	16	29	129900-49560	13	28
119625-11880	4	30	123907-59550	17	3	129263-49750	17	5		21	35
	21	13		21	38	129263-77941	14	121	129900-77010	18	1
119761-39450	12	1	123907-59560	17	8	129400-92450	21	39	129900-77040	23	1
119802-11870	4	29	123908-03199	4	59	129403-49050	11	7	129900-77120	23	2
	21	12	123910-39850	12	26	129403-49060	11	6	129900-77130	23	5
119802-13620	6	8	123910-77740	19	5	129410-03990	4	74	129900-77140	23	6
119802-13790	6	9	123912-33050	11	2	129418-18320	6	4	129900-77150	23	9
119802-51680	14	63	123912-33100	11	3			13	129900-77160	23	10
119802-51690	14	64	123951-18220	5	12	129472-18090	8	2	129900-77170	23	13
119802-55700	17	12	124070-13300	12	23		21	26	129900-77180	23	14
119802-55710	17	14		13	46 A	129509-79700	4	63	129900-77190	23	15
119802-55730	17	15	124160-01751	2	13	129612-77290	19	4	129900-77270	23	17
119803-11340	4	19		4	54	129612-77820	19	7	129900-77280	23	22
	21	10	124160-11340	4	20	129657-51590	14	58	129900-77290	23	23
119810-77340	19	13		21	11	129657-51600	14	59	129900-77330	19	1
119852-49300	13	13	124160-11360	4	68	129685-77640	23	28	129900-77380	23	24
119852-51630	14	68	124223-39900	12	3	129693-44310	3	9	129900-77390	23	25
119852-51640	14	69	124411-01780	3	15	129795-01960	10	1	129900-77400	18	2
119852-51650	14	71	124465-44950	13	33	129900-01200	1	27	129900-77420	23	26
119860-34810	11	12		21	36	129900-01250	1	4	129900-77430	23	27
119934-59910	14	128	124722-59050	17	6	129900-01850	2	25	129900-77440	18	5
120130-22301	9	23	128610-14120	10	3	129900-01870	2	26	129900-77450	18	7
121252-39150	12	4	129001-91810	2	27	129900-02020	1	7			9
121450-42450	13	31	129001-91841	3	10	129900-02341	1	34		23	7
121850-21130	9	13	129002-77280	19	3	129900-02410	1	10			12
121850-21290	9	4	129002-77281	19	3 -1	129900-02931	1	24	129900-77460	18	11
		5	129002-77340	19	14	129900-02941	1	37	129900-77480	18	8
	10	4	129004-55612	17	11	129900-13251	6	2	129900-77510	18	17
		5	129005-59830	12	5		21	20	129900-77520	18	20
121850-21920	9	6		15	15	129900-14110	7	6	129900-77540	18	18

Parts No. Index

Parts No.	Fig. No.	Ref. No.	Parts No.	Fig. No.	Ref. No.	Parts No.	Fig. No.	Ref. No.	Parts No.	Fig. No.	Ref. No.
129900-77550	18	19	129916-21610	9	9	129956-01760	3	5	129973-49110	13	46 B
129900-77591	18	12	129916-49740	13	15	129956-28009	10	2	129973-49650	13	47
129900-77610	18	23	129917-42160	13	5	129956-28019	10	6	129973-49660	13	48
129900-77620	18	13	129917-42170	13	6	129956-28101	10	10	129973-49740	13	49
129900-77640	18	15	129917-42300	13	10	129956-28111	10	11	129973-49780	13	52
129900-77650	18	14	129917-42310	13	11	129956-28180	10	12	129973-59700	16	31
129900-77700	18	16	129927-13810	6	11	129956-28321	9	7	129973-59810	16	35
129900-77710	18	24			18	129956-28332	10	13	129973-59820	16	36
129900-77810	19	6		21	22	129956-28341	10	14	129973-59830	16	37
129900-77890	19	8	129927-13900	6	24	129956-34820	11	13	129973-59840	16	38
129900-77900	19	9	129927-13910	6	25	129956-35100	11	16	129973-75020	20	1
129900-77910	19	11		21	23	129956-49230	11	8	129974-39820	12	28
129900-77920	19	12	129927-13920	6	26	129960-03990	13	45	129981-49531	13	26
129906-51580	14	56		21	24		50		144626-51090	14	9
129907-01331	1	28	129927-22050	9	19	129960-21640	9	10	158552-51570	14	54
	21	2	129927-39060	12	11	129968-01600	3	1	158552-51580	14	57
129907-03011	4	56	129927-44900	13	32	129968-21590	9	14	158552-51670	14	124
129907-03061	4	57	129927-51250	14	135	129968-21650	9	11	158552-51781	14	96
129907-03070	4	58	129927-51650	14	119	129968-49630	13	35	158552-52100	14	126
129907-11100	4	15	129927-51660	14	120	129968-49640	13	39	158552-52310	14	102
129907-11110	4	16	129927-51670	14	123	129972-01500	2	3	158552-52400	14	103
129907-11120	4	17	129927-59550	17	4	129972-01731	3	4	158552-52500	14	127
129907-11250	4	36	129927-75900	20	19	129972-03200	4	75	158553-51670	14	62
129907-11260	4	37	129927-77600	20	11	129972-03210	4	76	158553-51680	14	74
129907-11270	4	38		20	20	129972-03220	4	77	158553-61780	15	23
129907-11341	4	35	129927-77680	20	12	129972-03280	4	80	158557-51570	14	55
129907-11510	4	21			21	129972-03310	4	81	158557-61720	15	22
129907-11650	4	40	129928-11700	4	6	129973-03030	4	71	158563-51150	7	17
129907-11660	4	44	129928-13410	6	6	129973-07901	4	1		14	12
129907-11800	4	28			7	129973-07910	4	2		14	19
129907-11910	4	31		21	21	129973-11320	4	55	158563-51281		20
129907-11920	4	48	129928-13700	5	6	129973-12100	5	3	158563-51330	14	30
129907-11950	4	32	129928-22080	9	17	129973-12110	5	4	158600-51270	14	18
129907-12110	5	1	129928-51390	14	20 A		21	17	158601-51550	14	52
	21	16	129928-53000	16	2	129973-12160	5	2	158601-51650	14	122
129907-14400	7	2	129930-01870	2	19	129973-12200	5	5	158601-51770	14	95
129907-25900	7	16	129930-39050	12	20	129973-12850	5	15	158601-51790	14	97
129907-44740	13	55	129930-42450	13	23	129973-13110	6	1	171008-77410	23	3
129907-51560	14	53	129933-11310	4	61	129973-13400	6	5	171008-77420	23	4
129907-59140	17	1		21	15	129973-13800	6	10	171008-77450	18	6
129908-14590	7	3	129935-44710	13	24	129973-13801	6	10 -1		23	8
129908-18010	8	1	129938-77800	22	2	129973-13810	6	12	171008-77670	23	18
129908-32060	2	4	129938-77810	22	12	129973-13811	6	12 -1	171008-77730	18	21
129908-33010	11	1	129942-21000	9	1	129973-13820	6	19	171008-77740	18	22
129908-33101	11	4	129951-01740	2	15	129973-13840	6	20	171008-77750	18	25
129908-39410	12	32	129953-25300	7	15	129973-18250	5	13		23	29
129908-39690	12	27	129953-42290	13	54	129973-39070	12	2	171051-01921	1	6
	21	31	129956-01640	3	13	129973-39670	12	24	171056-49120	11	19
129908-49060	11	9	129956-01710	1	5	129973-42020	13	1	175339-79700	13	43
129916-01800	2	24	129956-01730	3	3	129973-49100	13	46	185100-50070	22	6

Parts No. Index

Parts No.	Fig. No.	Ref. No.
194990-22130	22	3
198461-52950	22	1
22190-080002	3	11
	12	6
		8
		16
		18
		22
	17	9
	21	9
22190-120002	13	34
	14	98
		104
		129
	21	37
22190-160002	3	8
	21	8
22190-180002	14	99
22217-050000	14	130
22217-180000	7	18
	14	105
22252-000300	9	24
22312-050140	14	106
22351-030010	12	39
22351-050010	14	107
22351-060012	1	11
22512-070140	7	7
	9	8
22857-500100	4	64
22857-500120	4	65
22877-500080	20	14
		23
23000-022000	4	82
23000-025000	11	10
	12	29
23000-054000	5	14
23065-160500	4	83
23080-012000	13	38
		42
23414-080000	13	20
	21	33
23414-100000	12	9
	21	30
23414-120000	15	24
23857-030000	12	7
		17
23876-005000	10	15
23876-020000	4	12
23876-030000	1	12
		13

Parts No.	Fig. No.	Ref. No.
23876-030000	4	13
		66
		84
	6	14
23887-120002	14	100
	15	25
24311-000070	14	108
	22	10
24311-000120	4	33
		69
	21	14
24311-000160	17	16
24311-000200	10	17
	21	28
24311-000320	2	14
	4	70
	21	6
24321-000600	11	11
	21	29
24321-000650	17	17
24321-000850	2	20
	21	7
24341-000480	15	26
24341-000530	9	12
	21	27
24351-030750	2	8
	21	5
24356-010200	14	65
		109
24356-020210	14	110
24372-000150	14	66
26014-080252	19	2
26023-040202	22	11
26106-060102	14	111
26106-060122	4	67
	13	44
	14	131
	22	13
26106-060142	5	7
26106-060162	12	30
26106-060182	5	8
26106-060202	13	17
26106-060252	15	27
26106-060352	14	112
26106-080122	12	10
		19
		31
	13	21
		53
26106-080142	4	85

Parts No.	Fig. No.	Ref. No.
26106-080142	11	17
26106-080162	2	9
		28
	6	21
		22
	7	8
	10	16
26106-080202	2	10
		16
	4	3
		4
	11	18
	14	136
26106-080222	6	15
26106-080252	3	12
	13	30
	15	28
26106-080302	3	16
	14	137
26106-080402	2	29
	4	50
	5	19
	13	25
26106-080452	2	11
		17
26106-080552	5	10
	7	14
	13	22
26106-080602	4	51
		52
	10	18
26106-080652	6	16
26106-080702	5	20
26106-080752	2	18
26106-080852	5	11
26106-100162	5	9
26106-100202	2	21
26106-100302	6	23
26106-100402	6	27
26106-101052	6	28
26116-050102	4	79
26116-100202	3	2
26116-120202	18	26
	23	30
26216-060202	16	33
26216-100302	2	5
26226-080222	4	49
26306-080002	4	53
	6	17
	8	3

Parts No.	Fig. No.	Ref. No.
26306-100002	2	12
	19	15
26366-060002	16	39
26450-100452	14	115
26577-060142	13	18
26716-050002	14	132
26776-180002	7	19
	14	116
27241-160000	14	133
27241-300000	1	14
27241-400000	4	14
27310-070001	4	26
729900-02801	1	31
729906-01550	2	22
729927-22950	9	36
729928-22900	9	34
729928-53100	16	1
729973-01560	1	1
729973-51310	14	1
729973-92600	21	1
977770-1207F	21	40
X2114155110	18	3
X2114255110	18	4
X2114955020	23	16
X2130631300	18	10
	23	11