

0CD11-M14700EN

P R E F A C E

1. This parts catalog is the 1st edition of 4TNV98T-ZNHK for HOKUETSU INDUSTRIES CO.,LTD.

Pub.No. : 0CD11-G14700

Published : June, 2011

2. Model name

Engine model	Vehicle	Vehicle made by
4TNV98T-ZNHK	ENGINE COMPRESSOR	HOKUETSU INDUSTRIES CO.,LTD.

Directions for the Parts Catalog.

1. This Parts Catalog shows both standard and optional parts.
2. Parts may change without prior notice.
3. The following is an example of the Parts Catalog format.

REF.	LEV.	PARTS NO.	DESCRIPTION	Q'TY						I	R
				(A)	(B)	(C)	(D)	(E)	(F)		
1	1	729595-51390	FUEL INJECTION PUMP	1	1	1	1	1			1
1-1	1	729595-51391	FUEL INJECTION PUMP	1	1	1	1	1		N	1
		(A=E00185) (B=E00200)									
3	2	26022-060162	SCREW M 6X 16	9	9	9	9	9			
3-1	2	26022-060162	SCREW M 6X 16	4	4	4	4	4		K	
		(A=E00156) (B=E00156) (C=E00156) (D=E00156) (E=E00156)									
4	2	129470-51040	CAMSHAFT	1	1	1	1	1			
5	2	122710-51050	BEARING, ROLLER	2	2	2	2	2			
6	2	129470-51060	RETAINER	1	1	1	1	1			

Remarks
(1) BOOST COMPEMSATOR TYPE. OPTIONAL PART, TO E00155,(4JH-DT, 4JH-DTZ

① Ref. No.

The Ref. No. listed may not be in accordance with the illustration Ref. No.

(Ex.) Illustration No.

List Ref No.

1 1 (Before change) → 1-1 (After change)

For interchangeable symbols N, R and K, illustrations for new parts may be abbreviated.

② Lev. (Level)

Level indication

The numbers below indicate the level of relativity towards the main part.

1 ---- Main parts (Assembly parts)

2 ---- Sub component included in " 1 ".

3 ---- Sub component included in " 2 ".

Note) Parts that are not for sale are partially illustrated but not listed.

③ Interchangeability Symbol

When a part change takes place, one of the following interchangeability symbols is indicated beside the part.

Symbol	Interchangeability	Contents note
N	Old $\begin{matrix} \leftarrow \text{Yes} \\ \text{No} \rightarrow \end{matrix}$ New	New Part is interchangeable for Old Part but Old Part is not interchangeable for New Part.
Q	Old $\begin{matrix} \leftarrow \text{No} \\ \text{Yes} \rightarrow \end{matrix}$ New	New Part is not interchangeable for Old Part but Old Part is interchangeable for New Part.
R	Old $\begin{matrix} \leftarrow \text{Yes} \\ \text{Yes} \rightarrow \end{matrix}$ New	New/ Old Parts are both interchangeable.
S	Old $\begin{matrix} \leftarrow \text{No} \\ \text{No} \rightarrow \end{matrix}$ New	New/ Old Parts are both not interchangeable.
W		Part newly added.
Z		Part discontinued.
F		Not interchangeable by a single part but interchangeable together with related parts.
K		Changes only for used parts quantities.

④ Effective Machine No.

When a part changes, the effective Machine No. will be indicated in the (A)-(F) column.

Product Symbol	Product No.	Product Symbol	Product No.
C	Clutch No. Compressor No.	F	Machine No. (Agricultural Equip.)
D	Drive No.	M	Machine No.
E	Engine No.		

Note 1) A date may follow the symbol. (Ex.) 1996.01

Note 2) "XXXXX" and "ZZZZZ" are for parts that could not be predicted or for engine models that could not be identified.

Note 3) (A=E00185) is the E (Engine Serial Number) for the column (A) model (in this case 4JH-DT) after the parts design change.

⑤ Remarks

Figures or alphabets (symbols) are entered in the remarks column.

The comments (remarks) on parts that are indicated at the bottom of the illustration are the same symbols as those stated above.

Contents

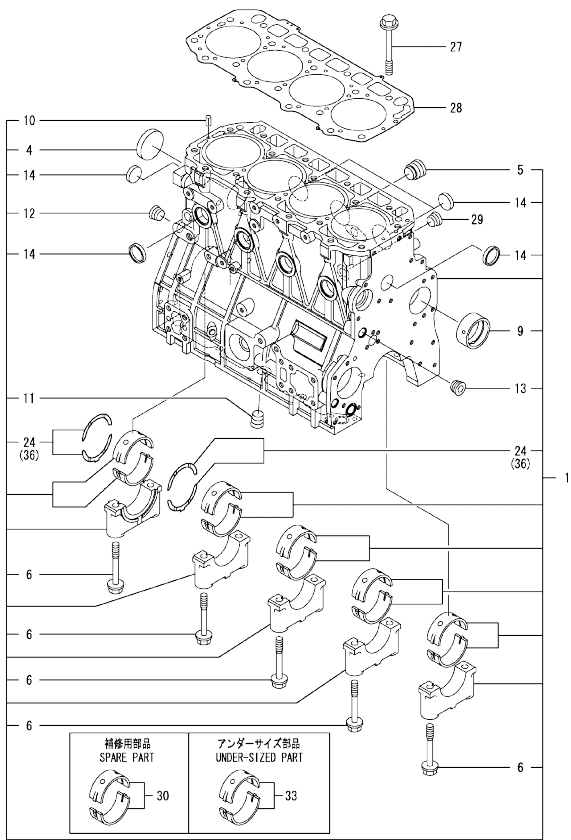
0CD11-M14700

Fig. No.	Fig. Name	Fig. No.	Fig. Name
4	TNV98T-ZNHK		
1.	CYLINDER BLOCK		
2.	GEAR HOUSING		
3.	FLYWHEEL HOUSING & OIL SUMP		
4.	CYLINDER HEAD & BONNET		
5.	SUCTION MANIFOLD		
6.	EXHAUST MANIFOLD		
7.	CAMSHAFT & DRIVING GEAR		
8.	TURBINE		
9.	CRANKSHAFT & PISTON		
10.	LUB. OIL SYSTEM		
11.	LUB. OIL LINE		
12.	COOLING WATER SYSTEM		
13.	FUEL INJECTION PUMP		
14.	GOVERNOR		
15.	FUEL INJECTION VALVE		
16.	FUEL LINE		
17.	STARTING MOTOR		
18.	GENERATOR		
19.	ELECTRONIC CONTROL UNIT (ECU)		
20.	ACCESSORY		

Fig.1. CYLINDER BLOCK

(A)=4TNV98T-ZNHK
(B)=
(C)=

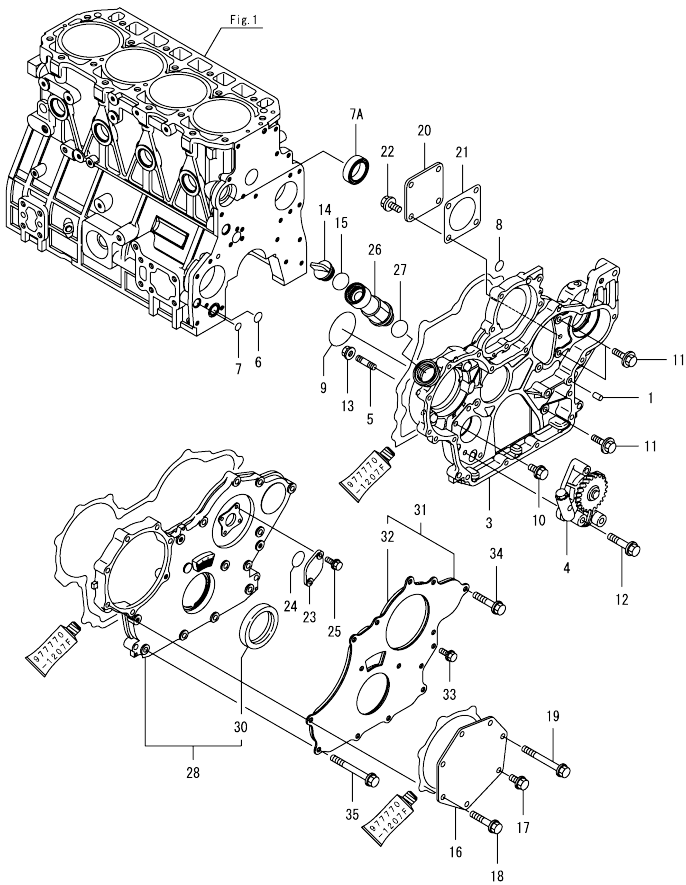
(D)=
(E)=
(F)=



No.	Lev.	Parts No.	Description	Q'ty						I	R
				(A)	(B)	(C)	(D)	(E)	(F)		
1	1	729928-01560	BLOCK ASSY, CYLINDER	1							
4	2	129900-01250	PLUG, DISH TYPE 55	1							
5	2	171051-01921	PLUG, NPTF1	1							
6	2	129900-02020	BOLT, METAL CAP	10							
9	2	129900-02410	BUSH, CAMSHAFT	1							
10	2	22351-060012	PIN, SPRING 6.0X12	2							
11	2	23876-030000	PLUG, R03	1							
12	2	23876-030000	PLUG, R03	1							
13	2	23876-030000	PLUG, R03	1							
14	2	27241-300000	PLUG 30	8							
24	2	129900-02931	BEARING ASSY, THRUST	2							
27	1	129900-01200	BOLT, CYLINDER HEAD	18							
28	1	129907-01331	GASKET, HEAD	1							
29	1	23876-030000	PLUG, R03	1							
30	1	729900-02801	BEARING, MAIN	5							1
33	1	129900-02341	BEARING ASSY, MAIN	5							2
36	1	129900-02941	BEARING, THRUST 0.25	2							3

Remarks
(1)Spare part.
(2)Under-sized(U.S.=0.25)part.
(3)Over-sized(O.S.=0.25)part.

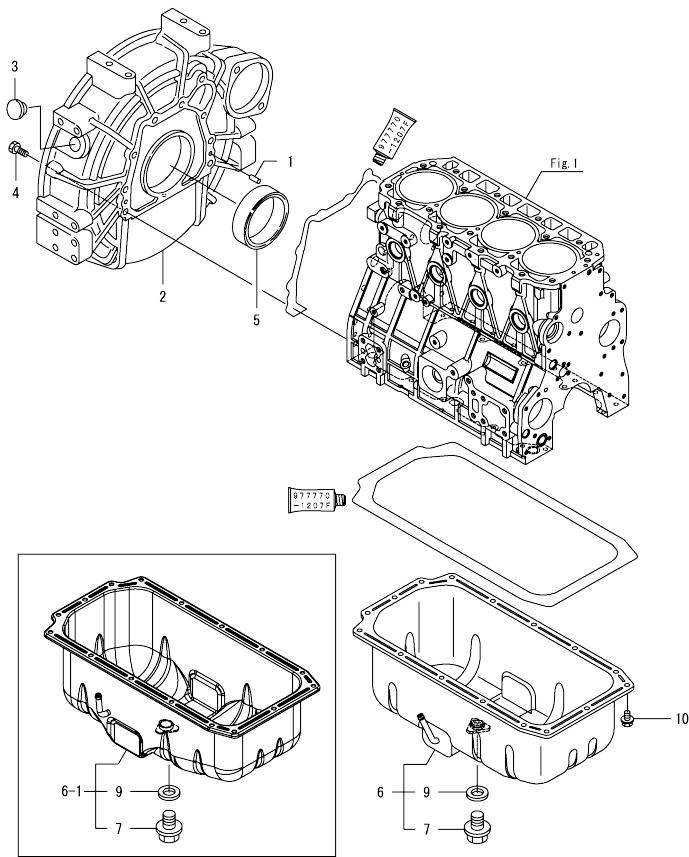
Fig.2. GEAR HOUSING



No.	Lev.	Parts No.	Description	Q'ty						I	R
				(A)	(B)	(C)	(D)	(E)	(F)		
1	1	129100-01580	PIN, PARALLEL 8X16	4							
3	1	129948-01500	CASE ASSY, GEAR	1							
4	1	129908-32060	PUMP ASSY, OIL	1							
5	1	26216-100302	STUD, M10X 30	4							
6	1	129900-32030	O-RING, P20	1							
7	1	129900-32040	O-RING, P14	1							
7A	1	129927-42140	GASKET, PUMP OUTLET	1							W
(A=ET4605)											
8	1	24311-000070	O-RING, 1AP7.0	1							
9	1	24351-030750	O-RING, 1A3075	1							
10	1	26106-080162	BOLT, M8X 16 PLATED	1							
11	1	26106-080202	BOLT, M8X 20 PLATED	3							
12	1	26106-080452	BOLT, M8X 45 PLATED	3							
13	1	26306-100002	NUT, M10	4							
14	1	124160-01751	CAP, FILLER	1							
15	1	24311-000320	O-RING, 1AP32.0	1							
16	1	129951-01740	COVER	1							
17	1	26106-080202	BOLT, M8X 20 PLATED	1							
18	1	26106-080452	BOLT, M8X 45 PLATED	5							
19	1	26106-080752	BOLT, M8X 75 PLATED	1							
20	1	124240-01871	COVER, PUMP	1							
21	1	124240-01883	GASKET	1							
22	1	26106-080162	BOLT, M8X 16 PLATED	4							
23	1	121023-01551	COVER	1							
24	1	24341-000240	O-RING, 1AS24.0	1							
25	1	26106-060162	BOLT, M6X 16 PLATED	2							
26	1	171031-11741	PIPE	1							
27	1	24311-000320	O-RING, 1AP32.0	1							
28	1	729907-01590	COVER ASSY, GEAR CASE	1							
30	2	129916-01800	SEAL, OIL	1							
31	1	129900-01850	COVER ASSY, GEAR CASE	1							
32	2	129900-01870	SPONGE, GEAR CASE	1							
33	1	26106-080162	BOLT, M8X 16 PLATED	3							
34	1	26106-080402	BOLT, M8X 40 PLATED	5							
35	1	26106-080702	BOLT, M8X 70 PLATED	6							

N:Old $\frac{100}{100}$ New, Q:Old $\frac{100}{100}$ New, R:Old $\frac{100}{100}$ New, S:Old $\frac{100}{100}$ New, W:Add, Z:Discontinued, F:Interchangeable by set, K:Q'ty Change
 Copyright (C) YANMAR GLOBAL CS CO., LTD. All Rights Reserved.

Fig.3. FLYWHEEL HOUSING & OIL SUMP

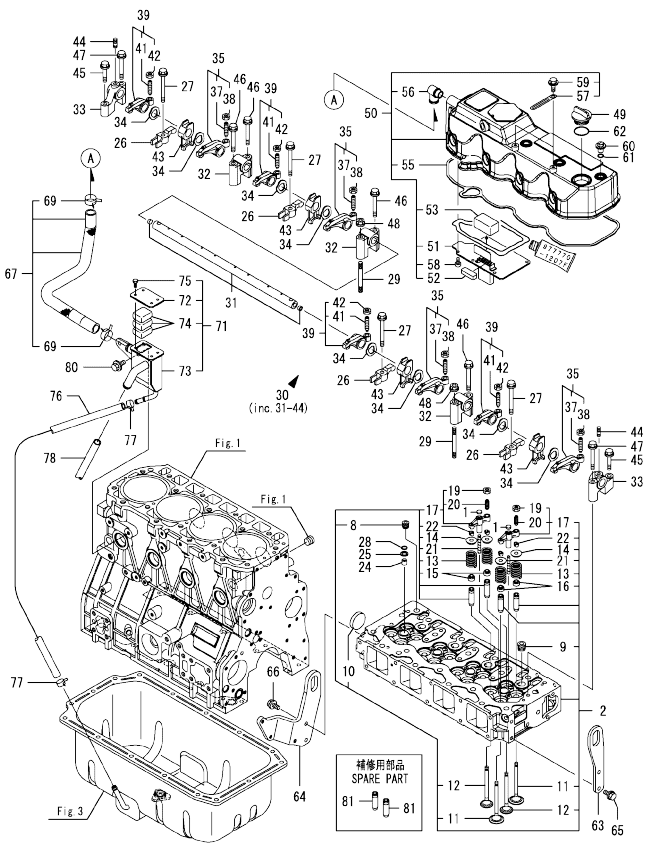


(A)=4TNV98T-ZNHK
(B)=
(C)=

(D)=
(E)=
(F)=

No.	Lev.	Parts No.	Description	Q'ty						I	R
				(A)	(B)	(C)	(D)	(E)	(F)		
1	1	129100-01580	PIN, PARALLEL 8X16	2							
2	1	129915-01610	HOUSING, FLYWHEEL	1							
3	1	119000-01840	PLUG, RUBBER	1							
4	1	26206-100352	BOLT, M10X 35 PLATED	9							
5	1	129916-01790	SEAL, D115/95XT11	1							
6	1	129948-01740	OIL PAN ASSY	1							
6-1	1	129933-01720	OIL PAN ASSY	1							N
		(A=EM6280)									
7	2	119640-01640	PLUG, DRAIN M22	1							
9	2	22190-220002	WASHER, SEAL 22	1							
10	1	26106-080122	BOLT, M8X 12 PLATED	16							

Fig.4. CYLINDER HEAD & BONNET



(A)=4TNV98T-ZNHK
(B)=
(C)=

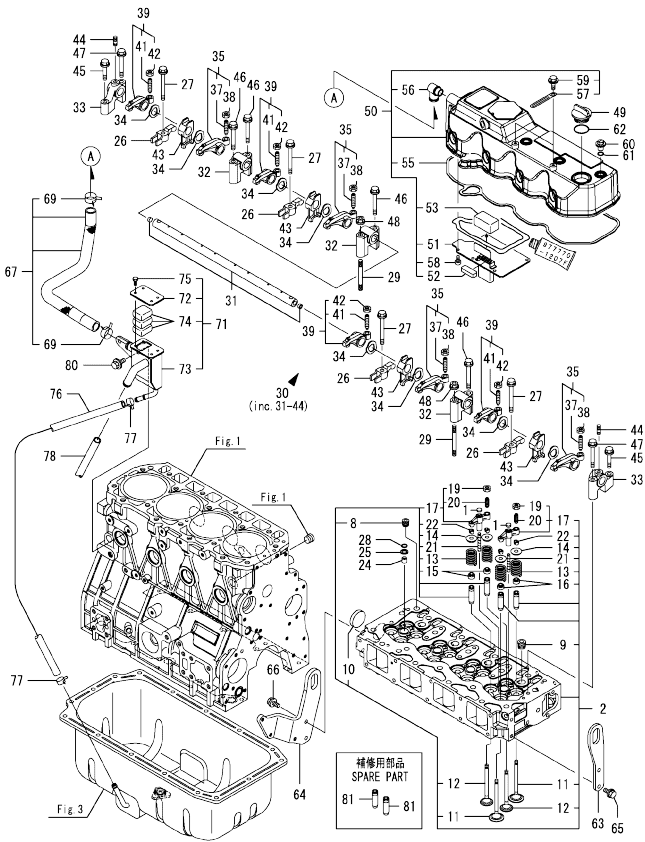
(D)=
(E)=
(F)=

No.	Lev.	Parts No.	Description	Q'ty						I	R
				(A)	(B)	(C)	(D)	(E)	(F)		
1	1	123907-11550	SEAT, VALVE BRIDGE	8							
2	1	129928-11700	HEAD ASSY, CYLINDER	1							
8	2	23876-020000	PLUG, R02	1							
9	2	23876-030000	PLUG, R03	4							
10	2	27241-400000	PLUG, 40	1							
11	2	129907-11100	VALVE, SUCTION	8							
12	2	129907-11110	VALVE, EXHAUST	8							
13	2	129907-11120	SPRING, VALVE	16							
14	2	119620-11180	RETAINER, SPRING	16							
15	2	119803-11340	SEAL, VALVE STEM	8							
16	2	124160-11340	SEAL, VALVE STEM	8							
17	2	129907-11510	BRIDGE ASSY, VALVE	8							
19	3	129150-11750	NUT, M8	8							
20	3	123907-11830	ADJUSTER	8							
21	2	123907-11820	GUIDE, BRIDGE	8							
22	2	27310-070001	COTTER, 7	16							
24	1	119802-11870	PROTECTOR, NOZZLE	4							
25	1	119625-11880	SEAT, NOZZLE	4							
26	1	129907-11910	RETAINER, NOZZLE	4							
27	1	129907-11950	BOLT, M8X75	4							
28	1	24311-000120	O-RING, 1AP12.0	4							
29	1	119593-11301	BOLT, STUD M8X80	2							
30	1	129907-11341	SHAFT ASSY, ROCKER	1							
31	2	129907-11250	SHAFT, ROCKER ARM	1							
32	2	129907-11260	SUPPORT, ROCKER ARM	3							
33	2	129907-11270	SUPPORT, ROCKER ARM	2							
34	2	123907-11280	WASHER	8							
35	2	129907-11650	ARM ASSY, ROCKER	4							
37	3	129150-11230	SCREW, VALVE ADJUST	4							
38	3	129150-11750	NUT, M8	4							
39	2	129907-11660	ARM ASSY, ROCKER	4							
41	3	129150-11230	SCREW, VALVE ADJUST	4							
42	3	129150-11750	NUT, M8	4							
43	2	129907-11920	RETAINER, NOZZLE	4							
44	2	26226-080222	STUD, M8X 22	2							
45	1	26106-080402	BOLT, M8X 40 PLATED	2							
46	1	26106-080602	BOLT, M8X 60 PLATED	4							
47	1	26106-080602	BOLT, M8X 60 PLATED	2							
48	1	26306-080002	NUT, M8	2							
49	1	124160-01751	CAP, FILLER	1							
50	1	129948-11300	BONNET ASSY, HEAD	1							
51	2	129907-03011	PLATE, BAFFLE	1							
52	2	129907-03061	BAFFLE, BREATHER	1							
53	2	129907-03070	BAFFLE, BREATHER	1							
55	2	129933-11310	GASKET, BONNET	1							
56	2	119100-11330	ELBOW, BREATHER	1							
57	2	129509-79700	CLAMP, 140-M6	2							
58	2	22857-500100	SCREW, 5X10	6							
59	2	26106-060122	BOLT, M6X 12 PLATED	2							
60	1	124160-11360	KNOB	4							
61	1	24311-000120	O-RING, 1AP12.0	4							

Remarks
(1) Spare part.

N:Old $\frac{New}{Old}$ New, Q:Old $\frac{New}{Old}$ New, R:Old $\frac{New}{Old}$ New, S:Old $\frac{New}{Old}$ New, W:Add, Z:Discontinued, F:Interchangeable by set, K:Q'ty Change
 ++ CONTINUE ++
 Copyright (C) YANMAR GLOBAL CS CO., LTD. All Rights Reserved.

Fig.4. CYLINDER HEAD & BONNET



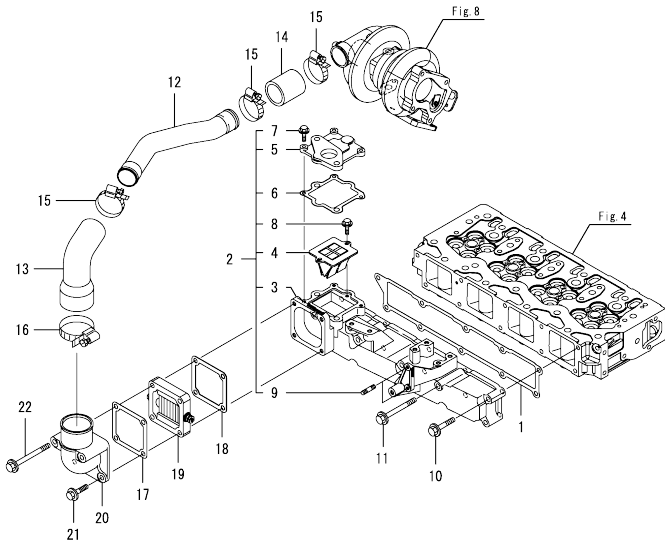
(A)=4TNV98T-ZNHK
(B)=
(C)=

(D)=
(E)=
(F)=

No.	Lev.	Parts No.	Description	Q'ty						I	R
				(A)	(B)	(C)	(D)	(E)	(F)		
62	1	24311-000320	O-RING, 1AP32.0	1							
63	1	129907-07900	LIFTER, ENGINE	1							
64	1	129948-07900	LIFTER, ENGINE	1							
65	1	26106-080162	BOLT, M8X 16 PLATED	2							
66	1	26106-080202	BOLT, M8X 20 PLATED	2							
67	1	129948-03080	HOSE ASSY, BREATHER	1							
69	2	129410-03990	CLAMP, HOSE 21.5	2							
71	1	129972-03240	SEPARATOR ASSY, MIST	1							
72	2	129972-03220	COVER, SEPARATOR	1							
73	2	129972-03230	SEPARATOR, MIST	1							
74	2	123901-03240	FILTER	3							
75	2	26116-050102	BOLT, M5X 10 PLATED	4							
76	1	123912-03250	HOSE	1							
76-1	1	129948-03310	HOSE, BREATHER	1							N
(A)=EXXXXX)											
77	1	23000-022000	CLAMP, 22	2							
78	1	23065-160250	PIPE, 16X 250	1							
80	1	26106-080142	BOLT, M8X 14 PLATED	2							
81	1	129907-11800	GUIDE, VALVE	16							1

Remarks
(1)Spare part.

Fig.5. SUCTION MANIFOLD

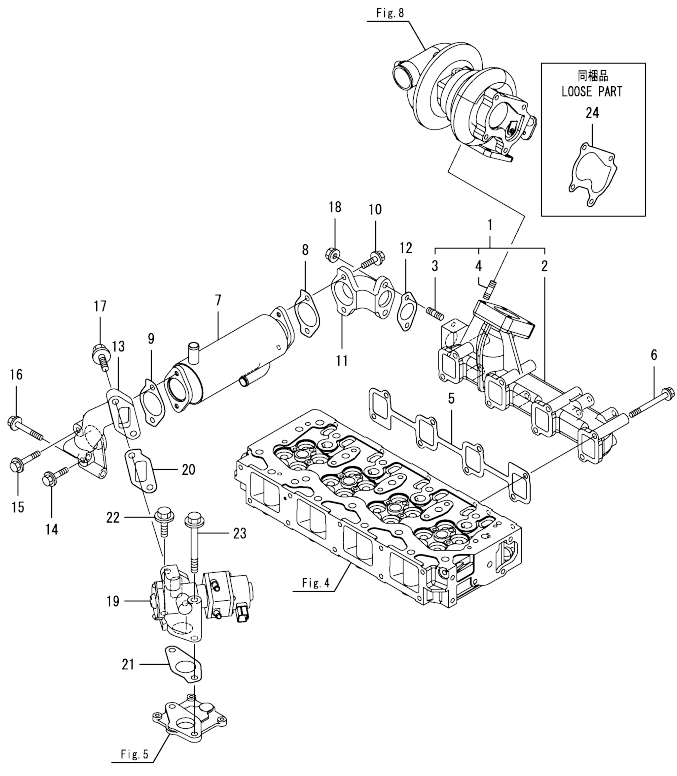


(A)=4TNV98T-ZNHK
(B)=
(C)=

(D)=
(E)=
(F)=

No.	Lev.	Parts No.	Description	Q'ty						I	R
				(A)	(B)	(C)	(D)	(E)	(F)		
1	1	129907-12110	GASKET, MANIFOLD	1							
2	1	129928-12150	MANIFOLD ASSY,INTAKE	1							
3	2	129928-12100	MANIFOLD, AIR INTAKE	1							
4	2	129928-13700	VALVE, LEAD	1							
5	2	129928-13710	SPACER, EGR VALVE	1							
6	2	129928-13720	GASKET	1							
7	2	26106-060202	BOLT, M6X 20 PLATED	3							
8	2	26106-060202	BOLT, M6X 20 PLATED	2							
9	2	26216-060202	STUD, M6X 20	2							
10	1	26106-080452	BOLT, M8X 45 PLATED	6							
11	1	26106-080802	BOLT, M8X 80 PLATED	4							
12	1	129928-18200	DUCT, AIR	1							
13	1	129974-18210	JOINT, RUBBER	1							
14	1	123951-18220	JOINT, RUBBER	1							
15	1	23000-054000	CLAMP, 54	3							
16	1	23000-080000	CLAMP, 80	1							
16-1	1	23000-070000	CLAMP, 70	1							N
17	1	119129-77020	GASKET	1							
18	1	121850-77021	GASKET, AIR HEATER	1							
19	1	119005-77051	HEATER, AIR	1							
20	1	119129-77520	BEND	1							
21	1	26106-080402	BOLT, M8X 40 PLATED	2							
22	1	26106-080902	BOLT, M8X 90 PLATED	2							

Fig.6. EXHAUST MANIFOLD

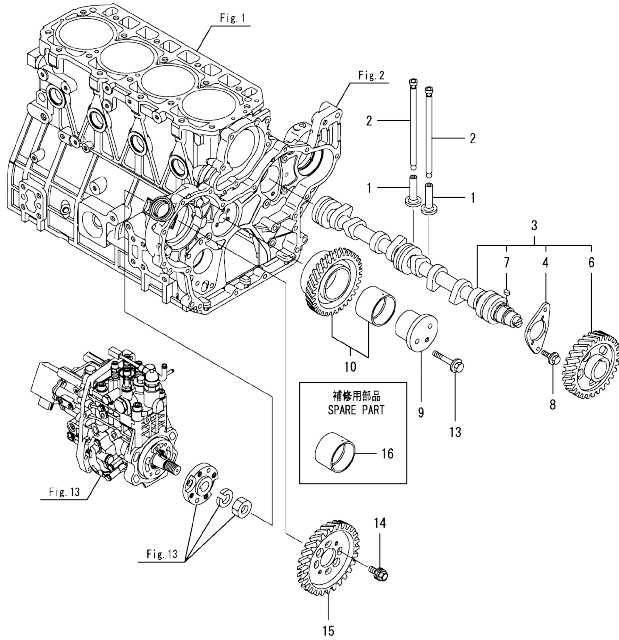


(A)=4TNV98T-ZNHK
(B)=
(C)=

(D)=
(E)=
(F)=

No.	Lev.	Parts No.	Description	Q'ty						I	R
				(A)	(B)	(C)	(D)	(E)	(F)		
1	1	129928-13150	MANIFOLD ASSY, EXH.	1							
2	2	129928-13100	MANIFOLD, EXHAUST	1							
3	2	129418-18320	BOLT, STUD M8X20	2							
4	2	129418-18320	BOLT, STUD M8X20	4							
5	1	129900-13251	GASKET, EXH.MANIFOLD	1							
6	1	123900-13630	BOLT, M8X80	8							
7	1	129928-13400	COOLER ASSY, EGR	1							
8	1	129928-13410	GASKET	1							
9	1	129928-13410	GASKET	1							
10	1	119802-13790	BOLT, M8X25 10.9T	2							
11	1	129948-13800	PIPE, EGR IN	1							
12	1	129927-13810	GASKET	1							
13	1	129948-13810	PIPE, EGR IN	1							
14	1	26106-080352	BOLT, M8X 35 PLATED	1							
15	1	26106-080452	BOLT, M8X 45 PLATED	1							
16	1	26106-080552	BOLT, M8X 55 PLATED	2							
17	1	26106-100252	BOLT, M10X 25 PLATED	2							
18	1	26306-080002	NUT, M8	2							
19	1	129928-13900	VALVE, EGR	1							
20	1	129927-13910	GASKET, EGR	1							
21	1	129927-13920	GASKET, EGR	1							
22	1	26106-100402	BOLT, M10X 40 PLATED	1							
23	1	26106-101052	BOLT, M10X105 PLATED	1							
24	1	123901-18080	GASKET	1							

Fig.7. CAMSHAFT & DRIVING GEAR



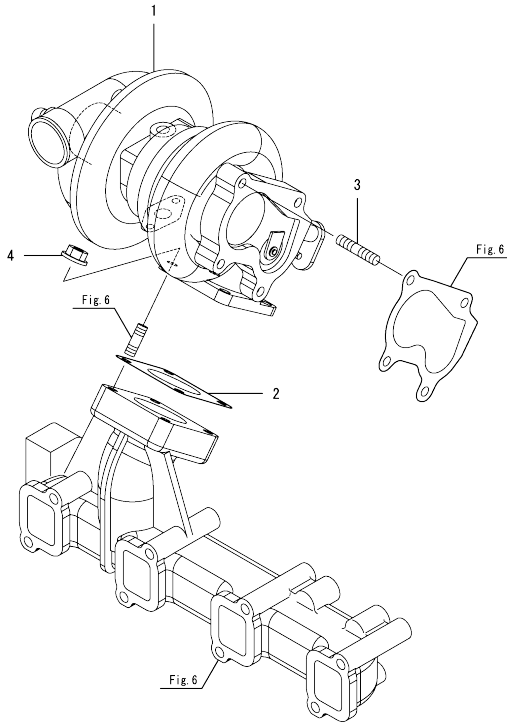
(A)=4TNV98T-ZNHK
(B)=
(C)=

(D)=
(E)=
(F)=

No.	Lev.	Parts No.	Description	Q'ty						I	R
				(A)	(B)	(C)	(D)	(E)	(F)		
1	1	129150-14200	TAPPET	8							
2	1	129907-14400	PUSH-ROD	8							
3	1	129908-14581	CAMSHAFT ASSY	1							
4	2	129150-02450	BEARING, THRUST	1							
6	2	129900-14100	GEAR, CAMSHAFT	1							
7	2	22512-070140	KEY, 7X 14	1							
8	1	26106-080162	BOLT, M8X 16 PLATED	2							
9	1	123900-25060	SHAFT, IDLE GEAR	1							
10	1	129900-25100	GEAR ASSY, IDLE	1							
13	1	26106-080552	BOLT, M8X 55 PLATED	3							
14	1	129953-25300	BOLT	4							
15	1	129907-25900	GEAR, PUMP	1							
16	1	129150-25920	BUSH, IDLE GEAR	1							1

Remarks
(1)Spare part.

Fig.8. TURBINE

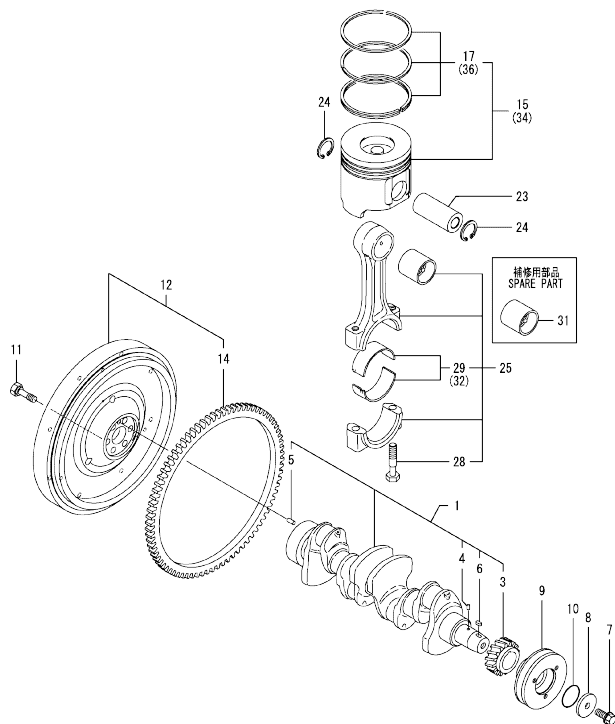


(A)=4TNV98T-ZNHK
(B)=
(C)=

(D)=
(E)=
(F)=

No.	Lev.	Parts No.	Description	Q'ty					
				(A)	(B)	(C)	(D)	(E)	(F)
1	1	129935-18010	TURBOCHARGER, RHF5	1					
2	1	129472-18090	GASKET	1					
3	1	119131-18320	BOLT, STUD M8X22	4					
4	1	26306-080002	NUT, M8	4					

Fig.9. CRANKSHAFT & PISTON



(A)=4TNV98T-ZNHK
(B)=
(C)=

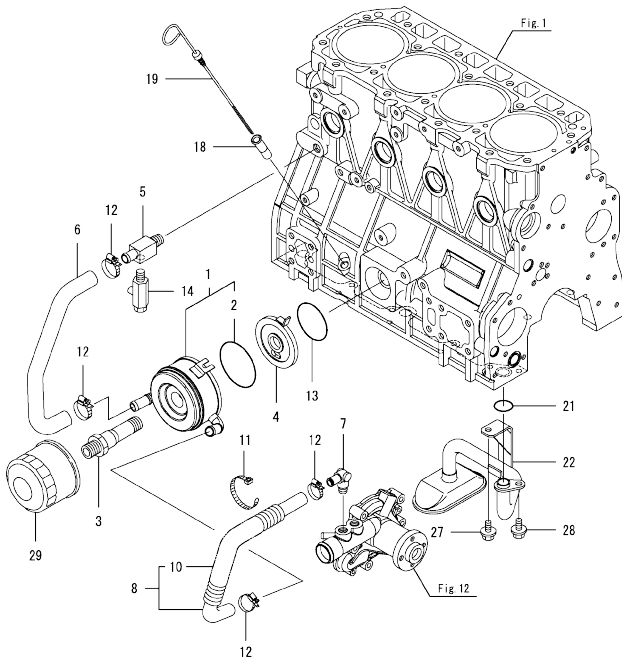
(D)=
(E)=
(F)=

No.	Lev.	Parts No.	Description	Q'ty						I	R
				(A)	(B)	(C)	(D)	(E)	(F)		
1	1	129908-21000	CRANKSHAFT ASSY	1							
3	2	129900-21200	GEAR, CRANKSHAFT	1							
4	2	121850-21290	PIN	1							
5	2	121850-21920	PIN, PARALLEL 10X22	1							
6	2	22512-070140	KEY, 7X 14	1							
7	1	129916-21610	BOLT	1							
8	1	129960-21640	WASHER	1							
9	1	129944-21650	V-PULLEY, CRANK 130B	1							
10	1	24341-000530	O-RING, 1AS53.0	1							
11	1	121850-21130	BOLT, FLYWHEEL	6							
12	1	129920-21580	FLYWHEEL ASSY	1							
14	2	127410-21480	GEAR, RING Z=129	1							
15	1	129928-22080	PISTON ASSY	4							
17	2	129927-22050	RING SET, PISTON	4							
23	1	120130-22301	PIN, PISTON	4							
24	1	22252-000300	RING, 30	8							
25	1	129900-23001	ROD ASSY, CONNECTING	4							
28	2	129900-23200	BOLT, CONNECTING ROD	8							
29	2	129900-23601	BEARING, CRANK PIN	4							
31	1	129900-23911	BEARING, PISTON PIN	4							1
32	1	129900-23611	BEARING ASSY, 0.25US	4							2
34	1	729928-22900	PISTON ASSY, 0.25 OS	4							3
36	2	729927-22950	RING SET, 0.25 OS	4							3

Remarks

- (1)Spare part.
- (2)Under-sized(U.S.=0.25)part.
- (3)Over-sized(O.S.=0.25)part.

Fig.10. LUB. OIL SYSTEM



(A)=4TNV98T-ZNHK
(B)=
(C)=

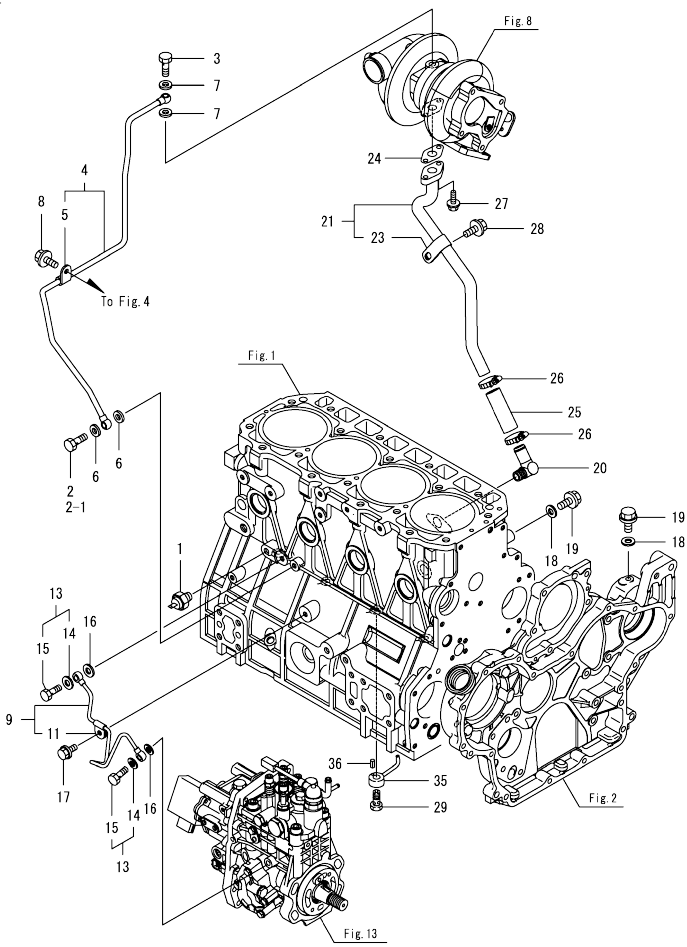
(D)=
(E)=
(F)=

No.	Lev.	Parts No.	Description	Q'ty						I	R
				(A)	(B)	(C)	(D)	(E)	(F)		
1	1	129908-33010	COOLER ASSY, OIL	1							
2	2	123912-33050	O-RING	1							
3	1	123912-33100	BOLT, COOLER	1							
4	1	129908-33101	BRACKET, OIL COOLER	1							
5	1	129006-44480	JOINT	1							
6	1	129908-49060	HOSE, WATER	1							
7	1	129466-49300	ELBOW, PT3/8	1							
8	1	123910-49600	HOSE ASSY WATER	1							
10	2	123910-49610	TUBE, CORRUGATED	1							
11	1	121750-59890	BAND, NYLON	1							
12	1	23000-025000	CLAMP, 25	4							
13	1	24321-000600	O-RING, 1AG60.0	1							
14	1	119620-49290	COCK ASSY, 1/4	1							
18	1	121520-34810	GUIDE, DIPSTICK	1							
19	1	129953-34830	DIPSTICK	1							
21	1	129900-32030	O-RING, P20	1							
22	1	129953-35000	PIPE ASSY, OIL INLET	1							
27	1	26106-080122	BOLT, M8X 12 PLATED	1							
28	1	26106-080162	BOLT, M8X 16 PLATED	1							
29	1	129150-35153	FILTER ASSY, D80X80L	1							1

Remarks
(1)Spare part.

OCD11-M14700 4TNV98T-ZNHK
 Fig.11. LUB. OIL LINE

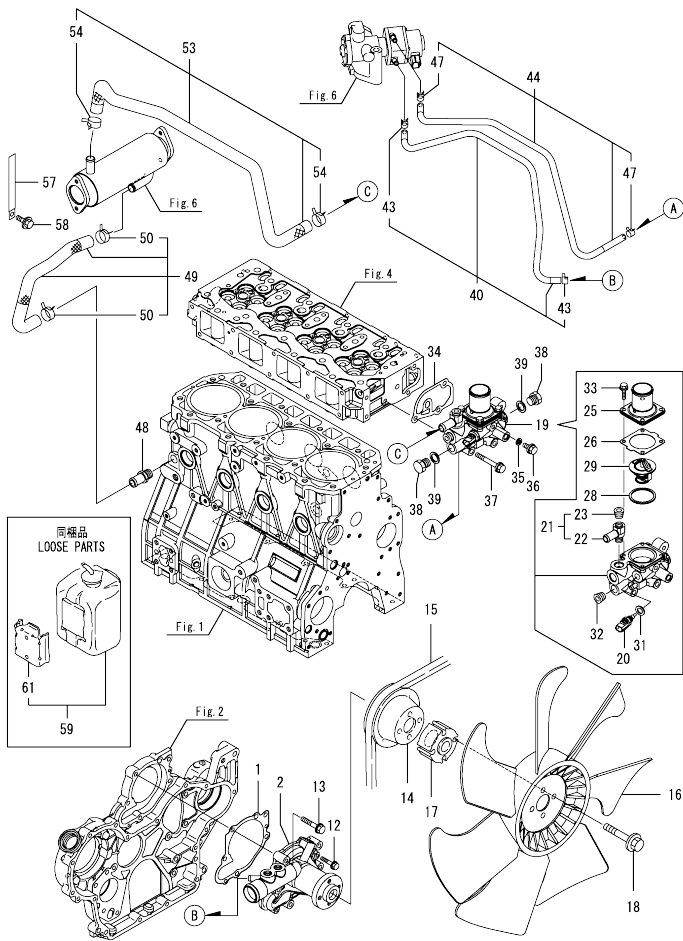
OCD11-M14700 Fig.11



No.	Lev.	Parts No.	Description	Q'ty						I	R
				(A)	(B)	(C)	(D)	(E)	(F)		
1	1	119761-39450	SWITCH, HYDRAULIC	1							
2	1	105010-39140	BOLT, PIPE JOINT	1							
2-1	1	129198-59540	BOLT, PIPE JOINT M8	1							S
(A=E161360)											
3	1	121252-39150	BOLT, JOINT M10X1.5	1							
4	1	129928-39450	PIPE ASSY, OIL	1							
5	2	124223-39900	RETAINER	1							
6	1	22190-080002	WASHER, SEAL 6	2							
7	1	23414-100000	GASKET, 10X1.0	2							
8	1	26106-080122	BOLT, M8X 12 PLATED	1							
9	1	129927-39060	PIPE ASSY, OIL	1							
11	2	123907-39500	RETAINER, PIPE	1							
13	1	129005-59830	BOLT ASSY, JOINT M8	2							
14	2	22190-080002	WASHER, SEAL 6	2							
15	2	23857-030000	BOLT, JOINT 3	2							
16	1	22190-080002	WASHER, SEAL 6	2							
17	1	26106-080122	BOLT, M8X 12 PLATED	1							
18	1	22190-080002	WASHER, SEAL 6	2							
19	1	26106-080122	BOLT, M8X 12 PLATED	2							
20	1	124070-13300	ELBOW, PT3/8	1							
21	1	129935-39610	PIPE, OIL	1							
23	2	123910-39850	RETAINER	1							
24	1	129908-39690	GASKET	1							
25	1	123901-39820	HOSE, LO RETURN	1							
26	1	23000-025000	CLAMP, 25	2							
27	1	26106-060162	BOLT, M6X 16 PLATED	2							
28	1	26106-080122	BOLT, M8X 12 PLATED	1							
29	1	129908-39410	VALVE ASSY, CHECK	4							
35	1	119000-39650	NOZZLE, COOLING	4							
36	1	22351-030010	PIN, SPRING 3.0X10	4							

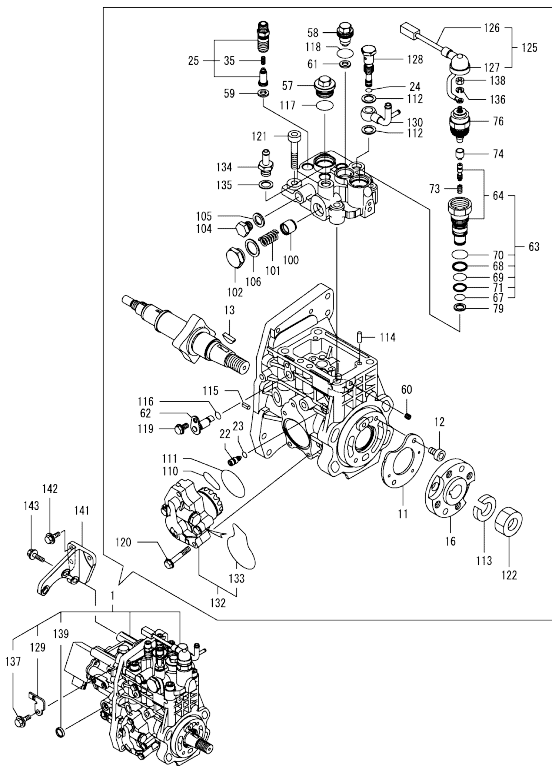
N:Old $\frac{100}{100}$ New, Q:Old $\frac{100}{100}$ New, R:Old $\frac{100}{100}$ New, S:Old $\frac{100}{100}$ New, W:Add, Z:Discontinued, F:Interchangeable by set, K:Q'ty Change
 Copyright (C) YANMAR GLOBAL CS CO., LTD. All Rights Reserved.

Fig.12. COOLING WATER SYSTEM



No.	Lev.	Parts No.	Description	Q'ty						I	R
				(A)	(B)	(C)	(D)	(E)	(F)		
1	1	129900-42020	GASKET, WATER PUMP	1							
2	1	129948-42100	PUMP ASSY, WATER	1							
2-1	1	129948-42101	PUMP ASSY, CW	1							N
(A=E178911)											
12	1	26106-060302	BOLT, M6X 30 PLATED	2							
13	1	26106-080552	BOLT, M8X 55 PLATED	5							
14	1	123900-42450	V-PULLEY, C.W.PUMP	1							
15	1	129948-42240	V-BELT, B43.0	1							
16	1	123915-44741	FAN, COOLING	1							
17	1	123957-44770	SPACER, FAN 35	1							
18	1	26106-100552	BOLT, M10X 55 PLATED	4							
19	1	129928-49800	CASE ASSY,THERMOSTAT	1							
20	2	129927-44900	SENSOR, WATER TEMP.	1							
21	2	129928-49400	JOINT ASSY	1							
22	3	129928-49410	JOINT	1							
23	3	23875-030000	PLUG, R03	1							
25	2	129916-49530	COVER, THERMOSTAT	1							
26	2	121850-49540	GASKET, THERMOSTAT	1							
28	2	121850-49550	GASKET, THERMOSTAT	1							
29	2	121850-49811	THERMOSTAT, 71C	1							
31	2	22190-120002	WASHER, SEAL 12	1							
32	2	23875-030000	PLUG, R03	1							
33	2	26106-060202	BOLT, M6X 20 PLATED	4							
34	1	129900-49870	GASKET, THERMOSTAT	1							
35	1	23414-080000	GASKET, 8X1.0	1							
36	1	26106-080122	BOLT, M8X 12 PLATED	1							
37	1	26106-080602	BOLT, M8X 60 PLATED	3							
38	1	121450-42450	PLUG, M16	2							
39	1	124465-44950	GASKET, 16	2							
40	1	129927-49610	HOSE ASSY, WATER	1							
43	2	23080-012000	CLAMP, 12	2							
44	1	129927-49620	HOSE ASSY, WATER	1							
47	2	23080-012000	CLAMP, 12	2							
48	1	129928-49420	JOINT	1							
49	1	129948-49610	HOSE ASSY, WATER	1							
50	2	129960-03990	CLAMP, HOSE 19.8	2							
53	1	129948-49620	HOSE ASSY, WATER	1							
54	2	129960-03990	CLAMP, HOSE 19.8	2							
57	1	129928-79700	CLAMP, 150-M8	1							
58	1	26106-080122	BOLT, M8X 12 PLATED	1							
59	1	720445-44200	TANK ASSY, SUB	1							
61	2	120445-44540	SUPPORT	1							

Fig.13. FUEL INJECTION PUMP



Remarks

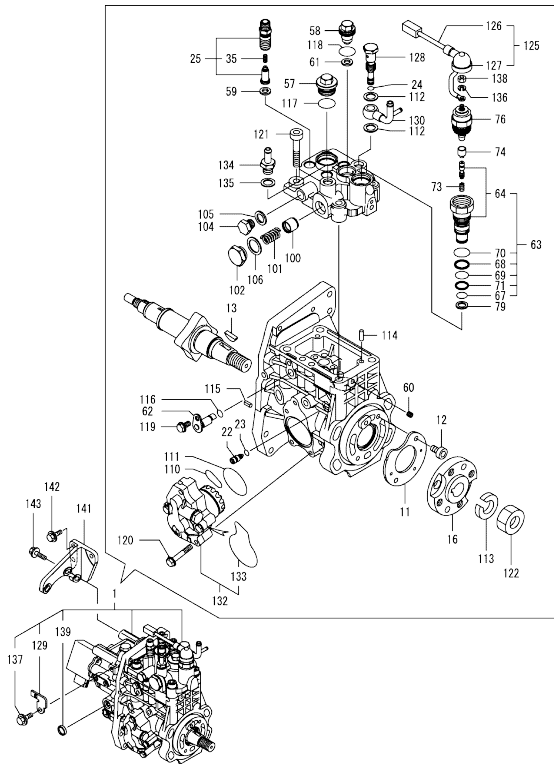
(1)Governor(Fig.14)is incorporated in this Fuel Injection Pump (Ref.1).
 (1)Eco Pump
 Make sure to update the engines ECU information when replacing the Eco Pump.
 Failing to do so will result in engine malfunction.

(A)=4TNV98T-ZNHK
 (B)=
 (C)=

(D)=
 (E)=
 (F)=

No.	Lev.	Parts No.	Description	Q'ty						I	R
				(A)	(B)	(C)	(D)	(E)	(F)		
1	1	729948-51380	FIE ASSY	1							1
11	2	129928-51900	COVER	1							
12	2	129008-51920	BOLT, SOCKET M6X10	2							
13	2	144626-51090	FEATHER KEY, 5X19	1							
16	2	158563-51150	FLANGE	1							
22	2	158600-51270	STOPPER, TAPPET	1							
23	2	158563-51281	O-RING, 4D S6	1							
24	2	158563-51281	O-RING, 4D S6	1							
25	2	129928-51390	VALVE ASSY, DELIVERY	4							
35	3	158563-51330	SPRING, DELIVERY	4							
57	2	158601-51550	PLUG, M22	1							
58	2	129907-51560	PLUG, M16	1							
59	2	158552-51571	GASKET, PLUG	4							
60	2	158557-51570	PLUG, RACK	1							
61	2	129906-51580	GASKET, PLUG	1							
62	2	158552-51580	LIFTER, LINK	1							
63	2	129657-51590	TIMER ASSY	1							
64	3	129657-51600	TIMER ASSY	1							
67	3	158553-51670	O-RING	1							
68	3	119802-51680	RING, BACKUP	1							
69	3	119802-51690	O-RING	1							
70	3	24356-190200	O-RING, 4D19020	1							
71	3	24372-000150	RING, BACK UP T2P15	1							
73	2	119852-51630	SPRING, TIMER	1							
74	2	119852-51640	CAP, TIMER	1							
76	2	119852-51650	VALVE ASSY, SOLENOID	1							
79	2	158553-51680	GASKET, TIMER	1							
100	2	158601-51770	PISTON, ACCUMULATOR	1							
101	2	158552-51781	SPRING, ACCUMULATOR	1							
102	2	158601-51790	PLUG	1							
104	2	158553-51930	PLUG, M12	1							
105	2	22190-120002	WASHER, SEAL 12	1							
106	2	22190-180002	WASHER, SEAL 18	1							
110	2	158552-52311	O-RING	1							
111	2	158552-52400	O-RING, 4E S42	1							
112	2	22190-120002	WASHER, SEAL 12	2							
113	2	22217-180000	WASHER, SPRING 18	1							
114	2	22312-050140	PIN, PARALLEL M5X14	2							
115	2	22351-050010	PIN, SPRING 5.0X10	2							
116	2	24311-000070	O-RING, 1AP7.0	1							
117	2	24356-190200	O-RING, 4D19020	1							
118	2	24356-240210	O-RING, 4D24021	1							
119	2	26106-060102	BOLT, M6X 10 PLATED	1							
120	2	26106-060352	BOLT, M6X 35 PLATED	4							
121	2	26450-100452	BOLT, M10X 45	4							
122	2	26776-180002	NUT, LOCK M18	1							
125	2	129927-51650	HARNESS ASSY, WIRE	1							
126	3	129927-51660	HARNESS	1							
127	3	129263-77941	CAP, RUBBER	1							
128	2	158601-51650	JOINT, OVER FLOW	1							
129	2	129927-51670	BRACKET	1							

Fig.13. FUEL INJECTION PUMP



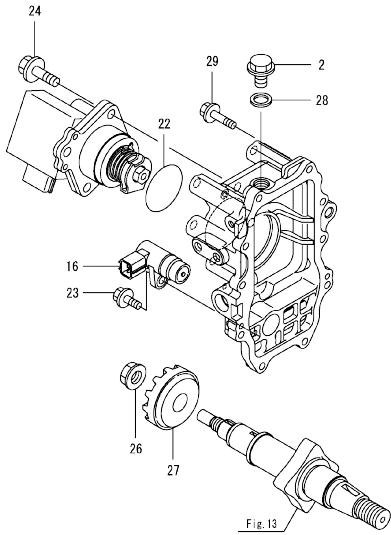
(A)=4TNV98T-ZNHK
(B)=
(C)=

(D)=
(E)=
(F)=

No.	Lev.	Parts No.	Description	Q'ty					
				(A)	(B)	(C)	(D)	(E)	(F)
130	2	158552-51670	JOINT, OVER FLOW	1					
132	2	158552-52100	PUMP ASSY, FUEL FEED	1					
133	3	158552-52500	O-RING	1					
134	2	119934-59910	JOINT, PIPE	1					
135	2	22190-120002	WASHER, SEAL 12	1					
136	2	22217-050000	WASHER, SPRING 5	1					
137	2	26106-060122	BOLT, M6X 12 PLATED	1					
138	2	26716-050002	NUT, M5	1					
139	2	27241-160000	PLUG, 16	1					
141	1	129927-51250	RETAINER, PUMP	1					
142	1	26106-080202	BOLT, M8X 20 PLATED	3					
143	1	26106-080302	BOLT, M8X 30 PLATED	3					

Remarks
 (1)Governor(Fig.14)is incorporated in this Fuel Injection Pump (Ref.1).
 (1)Eco Pump
 Make sure to update the engines ECU information when replacing the Eco Pump.
 Failing to do so will result in engine malfunction.

Fig.14. GOVERNOR



(A)=4TNV98T-ZNHK
(B)=
(C)=

(D)=
(E)=
(F)=

No.	Lev.	Parts No.	Description	Q'ty						I	R
				(A)	(B)	(C)	(D)	(E)	(F)		
2	2	158553-51930	PLUG, M12	1							
16	2	158557-61720	SENSOR	1							
22	2	24341-000480	O-RING, 1AS48.0	1							
23	2	26106-060162	BOLT, M6X 16 PLATED	1							
24	2	26106-080252	BOLT, M8X 25 PLATED	3							
26	2	129008-61301	NUT	1							
27	2	158553-61780	GEAR, SENSOR	1							
28	2	22190-120002	WASHER, SEAL 12	1							
29	2	26106-060252	BOLT, M6X 25 PLATED	10							

Remarks
*This figure(Governor)is incorporated
in the Fuel Injection Pump (Fig.13).

Fig.15. FUEL INJECTION VALVE

(A)=4TNV98T-ZNHN
(B)=
(C)=

(D)=
(E)=
(F)=

No.	Lev.	Parts No.	Description	Q'ty					
				(A)	(B)	(C)	(D)	(E)	(F)
1	1	729928-53100	FUEL INJECTOR ASSY	4					
2	2	129928-53000	NOZZLE ASSY, F.I.	4					
5	2	114250-53080	NUT, NOZZLE	4					
9	2	114250-53120	SPRING, NOZZLE	4					
10	2	114250-53130	SEAT, SPRING	4					
11	2	114250-53140	SPACER	4					
12	2	114250-53210	PIN	8					
13	2	119803-53400	SHIM SET	4					
40	1	123907-11601	SEAL, PIPE	4					
41	1	123472-59120	RETAINER, PIPE	2					
42	1	129150-59120	RETAINER, PIPE	1					
45	2	129150-59131	BOLT, M4X14	2					
47	1	129927-59810	PIPE ASSY, INJECTION	1					
48	1	129927-59820	PIPE ASSY, INJECTION	1					
49	1	129927-59830	PIPE ASSY, INJECTION	1					
50	1	129927-59840	PIPE ASSY, INJECTION	1					
51	1	26366-060002	NUT, M6	2					

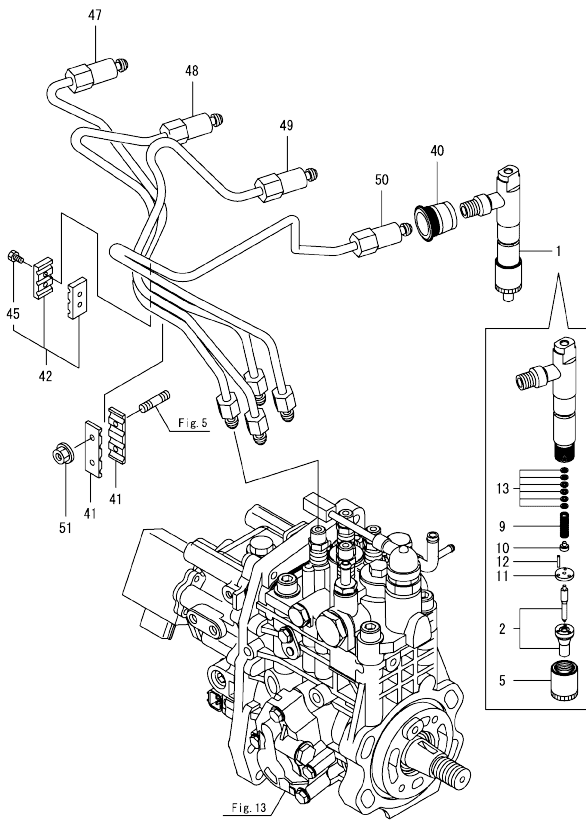
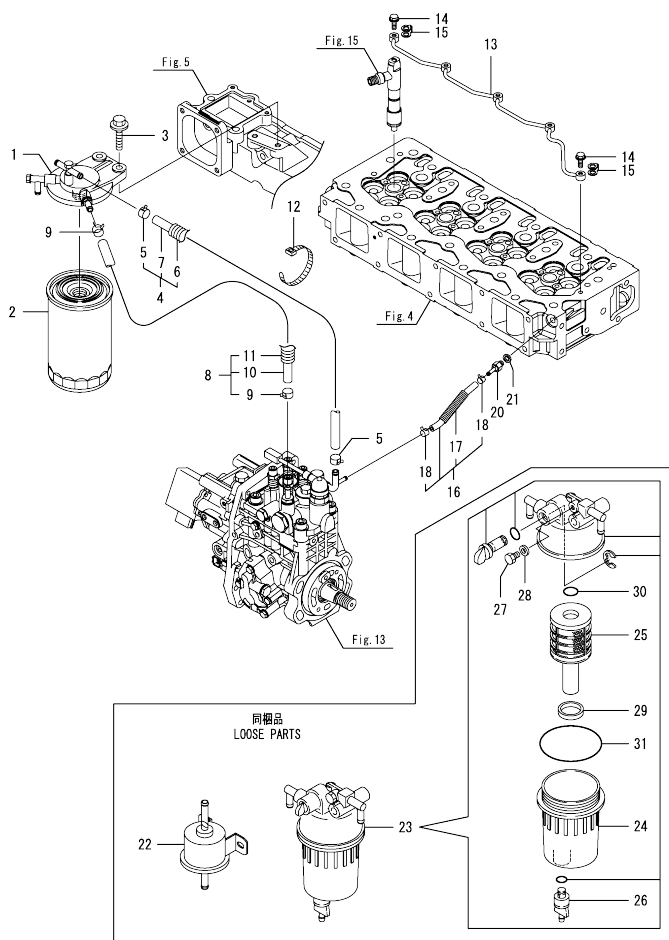


Fig.16. FUEL LINE



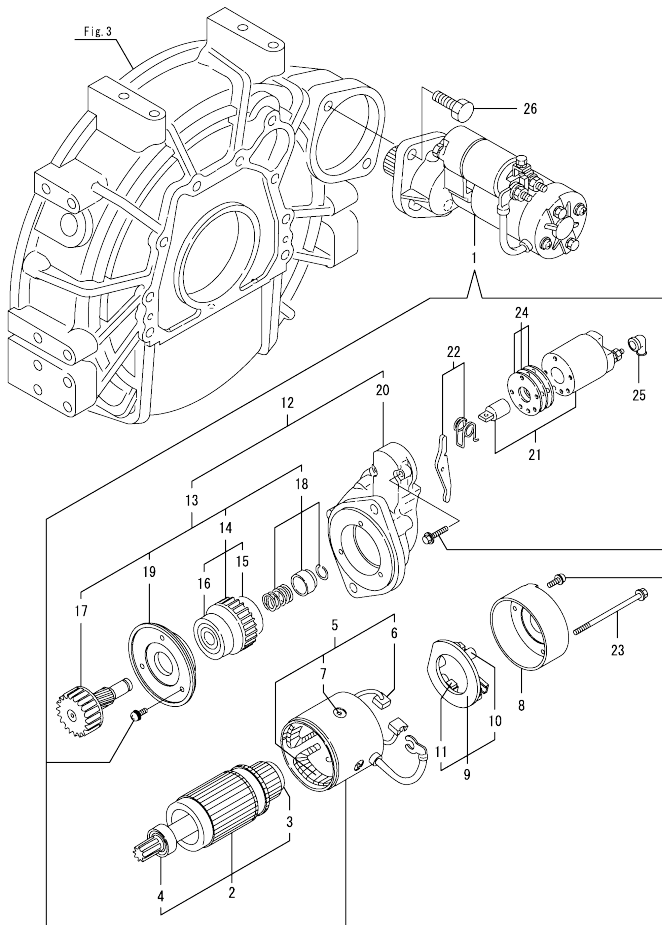
(A)=4TNV98T-ZNHK
(B)=
(C)=

(D)=
(E)=
(F)=

No.	Lev.	Parts No.	Description	Q'ty						I	R
				(A)	(B)	(C)	(D)	(E)	(F)		
1	1	129004-55612	BRACKET, FILTER	1							
2	1	123907-55801	FILTER, FUEL	1							
3	1	26106-080302	BOLT, M8X 30 PLATED	2							
4	1	129457-59010	HOSE ASSY, FUEL	1							
5	2	124766-59050	CLAMP, HOSE 11.5	2							
6	2	129957-59120	TUBE, CORRUGATED 15	1							
7	2	105025-59750	HOSE, FUEL	1							
8	1	129961-59310	HOSE ASSY, FUEL	1							
9	2	124766-59050	CLAMP, HOSE 11.5	2							
10	2	129136-59110	HOSE, D13/7.5X270	1							
11	2	129961-59110	TUBE, CORRUGATED 15	1							
12	1	121750-59890	BAND, NYLON	1							
13	1	129907-59140	PIPE ASSY, RETURN	1							
14	1	123907-59540	BOLT, PIPE JOINT M6	5							
15	1	123907-59550	GASKET	5							
16	1	129927-59550	HOSE ASSY RETURN	1							
17	2	129263-49750	TUBE, CORRUGATED	1							
18	2	124722-59050	CLAMP, HOSE 9	2							
20	1	123907-59560	JOINT, HOSE	1							
21	1	22190-080002	WASHER, SEAL 6	1							
22	1	129612-52100	PUMP, FUEL FEED	1							
23	1	129242-55711	SEPARATOR ASSY, WATER	1							
24	2	129242-55720	CUP, SEPARATOR	1							
25	2	129242-55730	ELEMENT, FUEL	1							
26	2	129242-55740	PLUG, DRAIN	1							
27	2	129242-55750	VALVE, AIR VENT	1							
28	2	129242-55760	GASKET, PLUG	1							
29	2	129242-55770	FLOAT	1							
30	2	24311-000160	O-RING, 1AP16.0	1							
31	2	24321-000750	O-RING, 1AG75.0	1							

N:Old $\frac{100}{100}$ New, Q:Old $\frac{100}{100}$ New, R:Old $\frac{100}{100}$ New, S:Old $\frac{100}{100}$ New, W:Add, Z:Discontinued, F:Interchangeable by set, K:Q'ty Change
Copyright (C) YANMAR GLOBAL CS CO., LTD. All Rights Reserved.

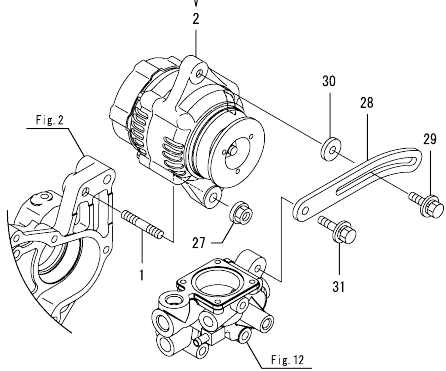
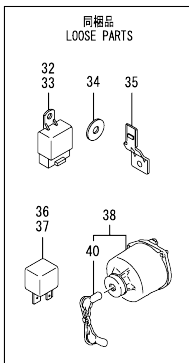
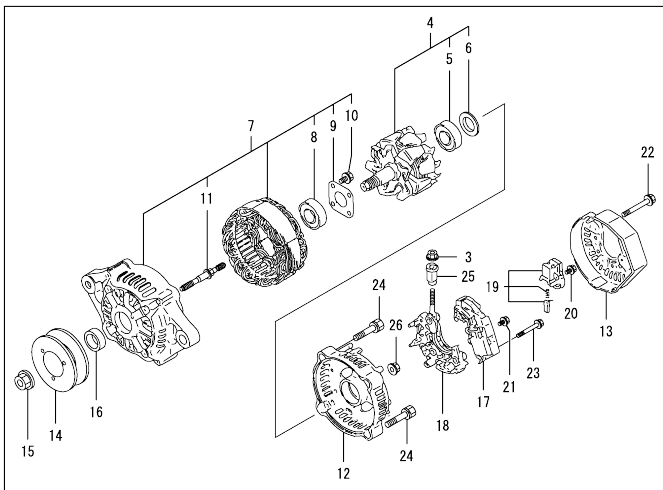
Fig.17. STARTING MOTOR



(A)=4TNV98T-ZNHK
(B)=
(C)=

(D)=
(E)=
(F)=

No.	Lev.	Parts No.	Description	Q'ty						I	R
				(A)	(B)	(C)	(D)	(E)	(F)		
1	1	129900-77010	STARTER ASSY	1							
2	2	129900-77400	ARMATURE ASSY	1							
3	3	X2114155110	BEARING, BALL	1							
4	3	X2114255110	BEARING, BALL	1							
5	2	129900-77440	COIL ASSY, FIELD	1							
6	3	129900-77450	BRUSH	2							
7	3	171008-77450	SCREW, CORE SET	4							
8	2	129900-77460	COVER	1							
9	2	129900-77480	HOLDER ASSY, BRUSH	1							
10	3	X2130631300	SPRING, BRUSH	4							
11	3	129900-77450	BRUSH	2							
12	2	129900-77700	CASE ASSY, GEAR	1							
13	3	129900-77510	PINION ASSY,W/CLUTCH	1							
14	4	129900-77520	CLUTCH ASSY	1							
15	5	171008-77730	BEARING, BALL	1							
16	5	171008-77740	BEARING, BALL	1							
17	4	129900-77540	SHAFT, PINION	1							
18	4	129900-77550	STOPPER SET, PINION	1							
19	4	129900-77610	RETAINER, BEARING	1							
20	3	129900-77710	CASE, GEAR	1							
21	2	129900-77591	SWITCH ASSY, MAGNET	1							
22	2	129900-77620	LEVER SET	1							
23	2	129900-77640	BOLT, THROUGH	2							
24	2	129900-77650	COVER KIT, DUST	1							
25	2	171008-77750	COVER, TERMINAL	1							
26	1	26116-120302	BOLT, M12X 30 PLATED	2							

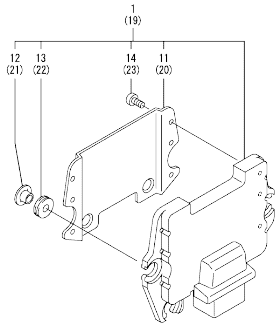


(A)=4TNV98T-ZNHK
 (B)=
 (C)=

(D)=
 (E)=
 (F)=

No.	Lev.	Parts No.	Description	Qty					
				(A)	(B)	(C)	(D)	(E)	(F)
1	1	129795-01900	BOLT, STUD M10X33	1					
2	1	123951-77200	GENERATOR ASSY, 55A	1					
3	2	X9490561001	NUT	1					
4	2	129052-77380	ROTOR ASSY	1					
5	3	123501-79240	BEARING, BALL	1					
6	3	119620-79250	COVER, BEARING	1					
7	2	129052-77422	FRAME ASSY	1					
8	3	119620-79200	BEARING, BALL	1					
9	3	119620-79210	RETAINER	1					
10	3	119620-79220	SCREW	4					
11	3	119620-79230	BOLT, STUD	2					
12	2	128401-77440	COVER	1					
13	2	119626-77450	FRAME	1					
14	2	123950-77450	V-PULLEY	1					
15	2	119620-77470	NUT	1					
16	2	119620-77490	COLLAR	1					
17	2	119626-77710	REGULATOR ASSY	1					
18	2	129052-79260	HOLDER	1					
19	2	129052-79270	HOLDER, BRUSH	1					
20	2	119620-79290	SCREW	6					
21	2	119620-79300	SCREW	1					
22	2	119620-79310	BOLT	3					
23	2	119620-79320	SCREW	2					
24	2	119620-79330	BOLT	2					
25	2	119620-79340	BUSH, INSULATION	1					
26	2	119620-79350	NUT	2					
27	1	26306-100002	NUT, M10	1					
28	1	129916-77300	ADJUSTER, BELT	1					
29	1	119810-77340	BOLT, ADJUST L=30	1					
30	1	121236-77340	SPACER	1					
31	1	26014-080302	BOLT, M8X 30	1					
32	1	198461-52950	RELAY, CA TYPE C	1					
33	1	198461-52950	RELAY, CA TYPE C	1					
34	1	129927-77690	WASHER, ECU	3					
35	1	129927-77910	BRACKET, CONNECTOR	2					
36	1	129927-77920	RELAY, ISO 70A	1					
37	1	129927-77920	RELAY, ISO 70A	1					
38	1	129115-91250	SWITCH ASSY, STARTER	1					
40	2	129115-91270	KEY	1					

Fig.19. ELECTRONIC CONTROL UNIT (ECU)



(A)=4TNV98T-ZNHK
(B)=
(C)=

(D)=
(E)=
(F)=

No.	Lev.	Parts No.	Description	Q'ty						I	R
				(A)	(B)	(C)	(D)	(E)	(F)		
1	1	129948-75160	ECU ASSY,4TMV98T-ZNH	1							1
11	2	129927-77600	SHIELD, ECU	1							
12	2	129927-77680	COLLAR, CONTROL	3							
13	2	119578-91351	ABSORBER	3							
14	2	22877-500080	SCREW, 5X 8	6							
19	1	129927-75900	ECU ASSY, SERVICE	1							2
20	2	129927-77600	SHIELD, ECU	1							
21	2	129927-77680	COLLAR, CONTROL	3							
22	2	119578-91351	ABSORBER	3							
23	2	22877-500080	SCREW, 5X 8	6							

Remarks
(1)Eco ECU
This part cannot be ordered.
Replace the part using a Service ECU with the proper engine information installed.
(2)Service ECU
If the proper information is not installed, the engine will not operate.
To install proper information, go to an authorized Distributor.

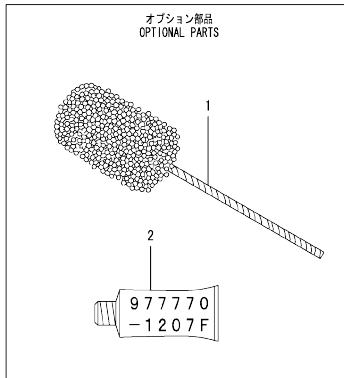
OCD11-M14700 4TNV98T-ZNHK
 Fig.20. ACCESSORY

OCD11-M14700 Fig.20

(A)=4TNV98T-ZNHK
 (B)=
 (C)=

(D)=
 (E)=
 (F)=

No.	Lev.	Parts No.	Description	Q'ty						I	R	
				(A)	(B)	(C)	(D)	(E)	(F)			
1	1	129400-92450	HONE, FLEX	1							1	
2	1	977770-1207F	GASKET, LIQUID	1							1	



Remarks
 (1)Optional parts.

N:Old $\frac{100}{100}$ New. Q:Old $\frac{100}{100}$ New. R:Old $\frac{100}{100}$ New. S:Old $\frac{100}{100}$ New. W:Add. Z:Discontinued. F:Interchangeable by set. K:Q'ty Change
 Copyright (C) YANMAR GLOBAL CS CO., LTD. All Rights Reserved.

Parts No. Index

Parts No.	Fig. No.	Ref. No.	Parts No.	Fig. No.	Ref. No.	Parts No.	Fig. No.	Ref. No.	Parts No.	Fig. No.	Ref. No.
105010-39140	11	2	120445-44540	12	61	124240-01871	2	20	129509-79700	4	57
105025-59750	16	7	121023-01551	2	23	124240-01883	2	21	129612-52100	16	22
114250-53080	15	5	121236-77340	18	30	124465-44950	12	39	129657-51590	13	63
114250-53120	15	9	121252-39150	11	3	124722-59050	16	18	129657-51600	13	64
114250-53130	15	10	121450-42450	12	38	124766-59050	16	5	129795-01900	18	1
114250-53140	15	11	121520-34810	10	18			9	129900-01200	1	27
114250-53210	15	12	121750-59890	10	11	127410-21480	9	14	129900-01250	1	4
119000-01840	3	3		16	12	128401-77440	18	12	129900-01850	2	31
119000-39650	11	35	121850-21130	9	11	129004-55612	16	1	129900-01870	2	32
119005-77051	5	19	121850-21290	9	4	129005-59830	11	13	129900-02020	1	6
119100-11330	4	56	121850-21920	9	5	129006-44480	10	5	129900-02341	1	33
119129-77020	5	17	121850-49540	12	26	129008-51920	13	12	129900-02410	1	9
119129-77520	5	20	121850-49550	12	28	129008-61301	14	26	129900-02931	1	24
119131-18320	8	3	121850-49811	12	29	129052-77380	18	4	129900-02941	1	36
119578-91351	19	13	121850-77021	5	18	129052-77422	18	7	129900-13251	6	5
		22	123472-59120	15	41	129052-79260	18	18	129900-14100	7	6
119593-11301	4	29	123501-79240	18	5	129052-79270	18	19	129900-21200	9	3
119620-11180	4	14	123900-13630	6	6	129100-01580	2	1	129900-23001	9	25
119620-49290	10	14	123900-25060	7	9		3	1	129900-23200	9	28
119620-77470	18	15	123900-42450	12	14	129115-91250	18	38	129900-23601	9	29
119620-77490	18	16	123901-03240	4	74	129115-91270	18	40	129900-23611	9	32
119620-79200	18	8	123901-18080	6	24	129136-59110	16	10	129900-23911	9	31
119620-79210	18	9	123901-39820	11	25	129150-02450	7	4	129900-25100	7	10
119620-79220	18	10	123907-11280	4	34	129150-11230	4	37	129900-32030	2	6
119620-79230	18	11	123907-11550	4	1			41		10	21
119620-79250	18	6	123907-11601	15	40	129150-11750	4	19	129900-32040	2	7
119620-79290	18	20	123907-11820	4	21			38	129900-42020	12	1
119620-79300	18	21	123907-11830	4	20			42	129900-49870	12	34
119620-79310	18	22	123907-39500	11	11	129150-14200	7	1	129900-77010	17	1
119620-79320	18	23	123907-55801	16	2	129150-25920	7	16	129900-77400	17	2
119620-79330	18	24	123907-59540	16	14	129150-35153	10	29	129900-77440	17	5
119620-79340	18	25	123907-59550	16	15	129150-59120	15	42	129900-77450	17	6
119620-79350	18	26	123907-59560	16	20	129150-59131	15	45			11
119625-11880	4	25	123910-39850	11	23	129198-59540	11	2	129900-77460	17	8
119626-77450	18	13	123910-49600	10	8	129242-55711	16	23	129900-77480	17	9
119626-77710	18	17	123910-49610	10	10	129242-55720	16	24	129900-77510	17	13
119640-01640	3	7	123912-03250	4	76	129242-55730	16	25	129900-77520	17	14
119761-39450	11	1	123912-33050	10	2	129242-55740	16	26	129900-77540	17	17
119802-11870	4	24	123912-33100	10	3	129242-55750	16	27	129900-77550	17	18
119802-13790	6	10	123915-44741	12	16	129242-55760	16	28	129900-77591	17	21
119802-51680	13	68	123950-77450	18	14	129242-55770	16	29	129900-77610	17	19
119802-51690	13	69	123951-18220	5	14	129263-49750	16	17	129900-77620	17	22
119803-11340	4	15	123951-77200	18	2	129263-77941	13	127	129900-77640	17	23
119803-53400	15	13	123957-44770	12	17	129400-92450	20	1	129900-77650	17	24
119810-77340	18	29	124070-13300	11	20	129410-03990	4	69	129900-77700	17	12
119852-51630	13	73	124160-01751	2	14	129418-18320	6	3	129900-77710	17	20
119852-51640	13	74		4	49			4	129906-51580	13	61
119852-51650	13	76	124160-11340	4	16	129457-59010	16	4	129907-01331	1	28
119934-59910	13	134	124160-11360	4	60	129466-49300	10	7	129907-03011	4	51
120130-22301	9	23	124223-39900	11	5	129472-18090	8	2	129907-03061	4	52

Parts No. Index

Parts No.	Fig. No.	Ref. No.
129907-03070	4	53
129907-07900	4	63
129907-11100	4	11
129907-11110	4	12
129907-11120	4	13
129907-11250	4	31
129907-11260	4	32
129907-11270	4	33
129907-11341	4	30
129907-11510	4	17
129907-11650	4	35
129907-11660	4	39
129907-11800	4	81
129907-11910	4	26
129907-11920	4	43
129907-11950	4	27
129907-12110	5	1
129907-14400	7	2
129907-25900	7	15
129907-51560	13	58
129907-59140	16	13
129908-14581	7	3
129908-21000	9	1
129908-32060	2	4
129908-33010	10	1
129908-33101	10	4
129908-39410	11	29
129908-39690	11	24
129908-49060	10	6
129915-01610	3	2
129916-01790	3	5
129916-01800	2	30
129916-21610	9	7
129916-49530	12	25
129916-77300	18	28
129920-21580	9	12
129927-13810	6	12
129927-13910	6	20
129927-13920	6	21
129927-22050	9	17
129927-39060	11	9
129927-42140	2	7 A
129927-44900	12	20
129927-49610	12	40
129927-49620	12	44
129927-51250	13	141
129927-51650	13	125
129927-51660	13	126
129927-51670	13	129
129927-59550	16	16

Parts No.	Fig. No.	Ref. No.
129927-59810	15	47
129927-59820	15	48
129927-59830	15	49
129927-59840	15	50
129927-75900	19	19
129927-77600	19	11
		20
129927-77680	19	12
		21
129927-77690	18	34
129927-77910	18	35
129927-77920	18	36
		37
129928-11700	4	2
129928-12100	5	3
129928-12150	5	2
129928-13100	6	2
129928-13150	6	1
129928-13400	6	7
		8
		9
129928-13700	5	4
129928-13710	5	5
129928-13720	5	6
129928-13900	6	19
129928-18200	5	12
129928-22080	9	15
129928-39450	11	4
129928-49400	12	21
129928-49410	12	22
129928-49420	12	48
129928-49800	12	19
129928-51390	13	25
129928-51900	13	11
129928-53000	15	2
129928-79700	12	57
129933-01720	3	6 -1
129933-11310	4	55
129935-18010	8	1
129935-39610	11	21
129944-21650	9	9
129948-01500	2	3
129948-01740	3	6
129948-03080	4	67
129948-03310	4	76 -1
129948-07900	4	64
129948-11300	4	50
129948-13800	6	11
129948-13810	6	13
129948-42100	12	2

Parts No.	Fig. No.	Ref. No.
129948-42101	12	2 -1
129948-42240	12	15
129948-49610	12	49
129948-49620	12	53
129948-75160	19	1
129951-01740	2	16
129953-25300	7	14
129953-34830	10	19
129953-35000	10	22
129957-59120	16	6
129960-03990	12	50
		54
129960-21640	9	8
129961-59110	16	11
129961-59310	16	8
129972-03220	4	72
129972-03230	4	73
129972-03240	4	71
129974-18210	5	13
144626-51090	13	13
158552-51571	13	59
158552-51580	13	62
158552-51670	13	130
158552-51781	13	101
158552-52100	13	132
158552-52311	13	110
158552-52400	13	111
158552-52500	13	133
158553-51670	13	67
158553-51680	13	79
158553-51930	13	104
	14	2
158553-61780	14	27
158557-51570	13	60
158557-61720	14	16
158563-51150	13	16
158563-51281	13	23
		24
158563-51330	13	35
158600-51270	13	22
158601-51550	13	57
158601-51650	13	128
158601-51770	13	100
158601-51790	13	102
171008-77450	17	7
171008-77730	17	15
171008-77740	17	16
171008-77750	17	25
171031-11741	2	26
171051-01921	1	5

Parts No.	Fig. No.	Ref. No.
198461-52950	18	32
		33
22190-080002	11	6
		14
		16
		18
		21
22190-120002	12	31
	16	105
	13	112
		135
	14	28
22190-180002	13	106
22190-220002	3	9
22217-050000	13	136
22217-180000	13	113
22252-000300	9	24
22312-050140	13	114
22351-030010	11	36
22351-050010	13	115
22351-060012	1	10
22512-070140	7	7
	9	6
22857-500100	4	58
22877-500080	19	14
		23
23000-022000	4	77
23000-025000	10	12
	11	26
23000-054000	5	15
23000-070000	5	16 -1
23000-080000	5	16
23065-160250	4	78
23080-012000	12	43
		47
23414-080000	12	35
23414-100000	11	7
23857-030000	11	15
23875-030000	12	23
		32
23876-020000	4	8
23876-030000	1	11
		12
		13
		19
	4	9
24311-000070	2	8
	13	116
24311-000120	4	28
		61

Parts No. Index

Parts No.	Fig. No.	Ref. No.
24311-000160	16	30
24311-000320	2	15
		27
	4	62
24321-000600	10	13
24321-000750	16	31
24341-000240	2	24
24341-000480	14	22
24341-000530	9	10
24351-030750	2	9
24356-190200	13	70
		117
24356-240210	13	118
24372-000150	13	71
26014-080302	18	31
26106-060102	13	119
26106-060122	4	59
	13	137
26106-060162	2	25
	11	27
	14	23
26106-060202	5	7
		8
	12	33
26106-060252	14	29
26106-060302	12	12
26106-060352	13	120
26106-080122	3	10
	10	27
	11	8
		17
		19
		28
	12	36
		58
26106-080142	4	80
26106-080162	2	10
		22
		33
	4	65
	7	8
	10	28
26106-080202	2	11
		17
	4	66
	13	142
26106-080252	14	24
26106-080302	13	143
	16	3
26106-080352	6	14

Parts No.	Fig. No.	Ref. No.
26106-080402	2	34
	4	45
	5	21
26106-080452	2	12
		18
	5	10
	6	15
26106-080552	6	16
	7	13
	12	13
26106-080602	4	46
		47
	12	37
26106-080702	2	35
26106-080752	2	19
26106-080802	5	11
26106-080902	5	22
26106-100252	6	17
26106-100402	6	22
26106-100552	12	18
26106-101052	6	23
26116-050102	4	75
26116-120302	17	26
26206-100352	3	4
26216-060202	5	9
26216-100302	2	5
26226-080222	4	44
26306-080002	4	48
	6	18
	8	4
26306-100002	2	13
	18	27
26366-060002	15	51
26450-100452	13	121
26716-050002	13	138
26776-180002	13	122
27241-160000	13	139
27241-300000	1	14
27241-400000	4	10
27310-070001	4	22
720445-44200	12	59
729900-02801	1	30
729907-01590	2	28
729927-22950	9	36
729928-01560	1	1
729928-22900	9	34
729928-53100	15	1
729948-51380	13	1
977770-1207F	20	2
X2114155110	17	3

Parts No.	Fig. No.	Ref. No.
X2114255110	17	4
X2130631300	17	10
X9490561001	18	3

Parts No.	Fig. No.	Ref. No.
-----------	----------	----------