

0CD50-M01460EN

P R E F A C E

This parts catalog is the 1st edition of 4TNV98T-ZGECS for Elcos.

Published : July, 2015

Contents

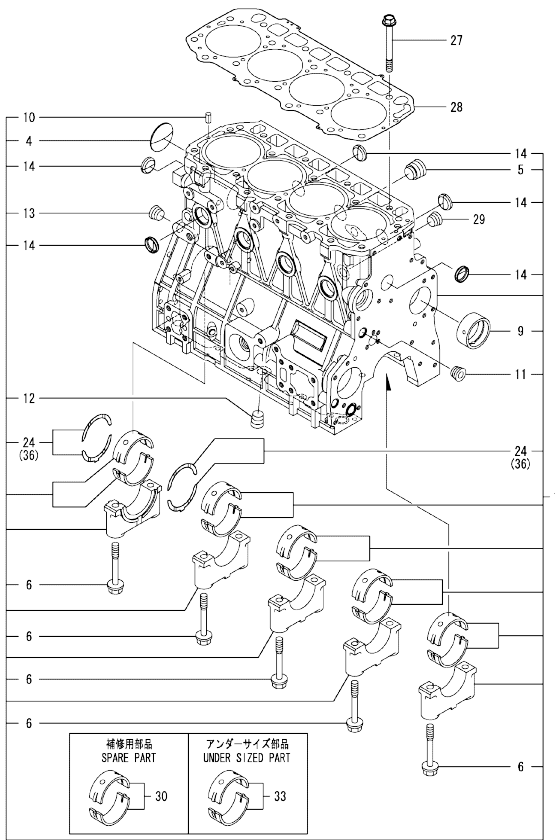
0CD50-M01460

Fig. No.	Fig. Name	Fig. No.	Fig. Name
4	TNV98T-ZGECS		
1.	CYLINDER BLOCK		
2.	GEAR HOUSING		
3.	FLYWHEEL HOUSING & OIL SUMP		
4.	CYLINDER HEAD & BONNET		
5.	SUCTION MANIFOLD & AIR CLEANER		
6.	EXHAUST MANIFOLD		
7.	CAMSHAFT & DRIVING GEAR		
8.	TURBINE		
9.	CRANKSHAFT & PISTON		
10.	LUB. OIL SYSTEM		
11.	LUB. OIL PIPE		
12.	COOLING WATER SYSTEM		
13.	FUEL INJECTION PUMP		
14.	GOVERNOR		
15.	FUEL INJECTION VALVE		
16.	FUEL PIPE		
17.	STARTER MOTOR		
18.	GENERATOR		
19.	ELECTRONIC CONTROL UNIT(ECU)		

Fig.1. CYLINDER BLOCK

(A)=4TNV98T-ZGECS
(B)=
(C)=

(D)=
(E)=
(F)=

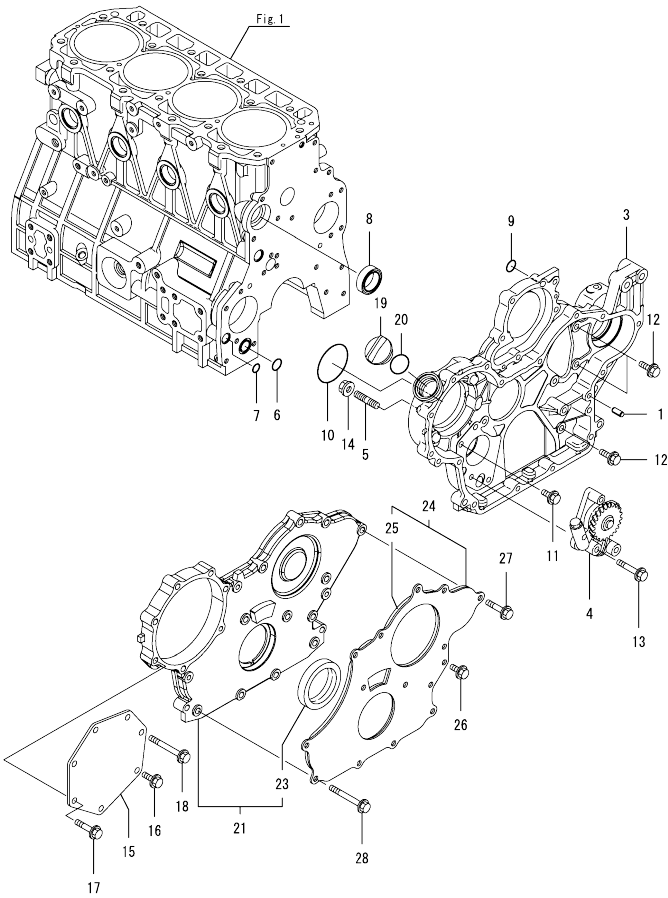


No.	Lev.	Parts No.	Description	Q'ty						I	R
				(A)	(B)	(C)	(D)	(E)	(F)		
1	1	729928-01560	BLOCK ASSY, CYLINDER	1							
4	2	129900-01250	PLUG, DISH TYPE 55	1							
5	2	171051-01921	PLUG, NPTF1	1							
6	2	129900-02020	BOLT, METAL CAP	10							
9	2	129900-02410	BUSH, CAMSHAFT	1							
10	2	22351-060012	PIN, SPRING 6.0X12	2							
11	2	23876-030000	PLUG, R03	1							
12	2	23876-030000	PLUG, R03	1							
13	2	23876-030000	PLUG, R03	1							
14	2	27241-300000	PLUG 30	8							
24	2	129900-02931	BEARING ASSY, THRUST	2							
27	1	129900-01200	BOLT, CYLINDER HEAD	18							
28	1	129907-01331	GASKET, HEAD	1							
29	1	23876-030000	PLUG, R03	1							
30	1	729900-02801	BEARING, MAIN	5							1
33	1	129900-02341	BEARING ASSY, MAIN	5							2
36	1	129900-02941	BEARING, THRUST 0.25	2							3

Remarks
 (1) Spare parts.
 (2) Under-sized (U.S.=0.25) parts.
 (3) Over-sized (O.S.=0.25) parts.

OCD50-M01460 4TNV98T-ZGECS
 Fig.2. GEAR HOUSING

OCD50-M01460 Fig.2



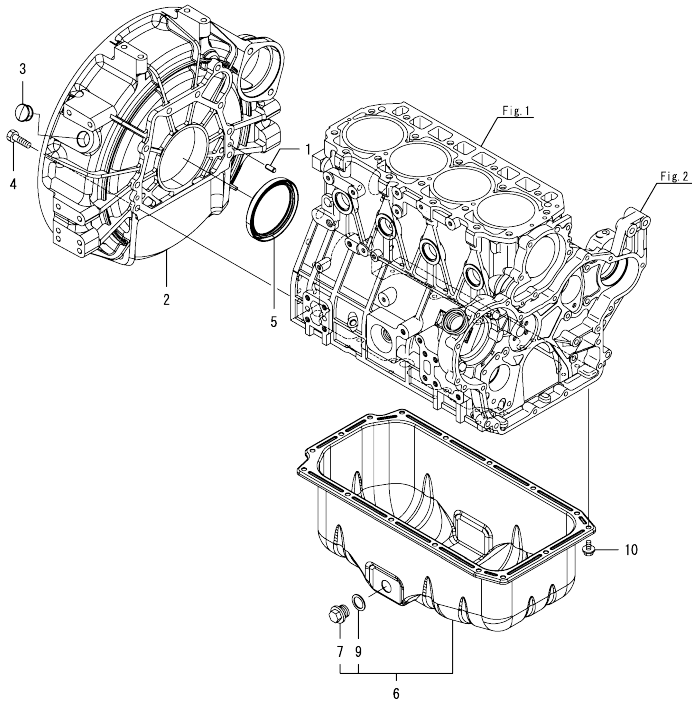
(A)=4TNV98T-ZGECS
 (B)=
 (C)=

(D)=
 (E)=
 (F)=

No.	Lev.	Parts No.	Description	Qty						I	R
				(A)	(B)	(C)	(D)	(E)	(F)		
1	1	129100-01580	PIN, PARALLEL 8X16	4							
3	1	129935-01500	CASE, GEAR	1							
4	1	129908-32060	PUMP ASSY, OIL	1							
5	1	26216-100302	STUD, M10X 30	4							
6	1	129900-32030	O-RING, P20	1							
7	1	129900-32040	O-RING, P14	1							
8	1	129927-42140	GASKET, CW-P OUT	1							
9	1	24311-000070	O-RING, 1AP7.0	1							
10	1	24351-030750	O-RING, 1A3075	1							
11	1	26106-080162	BOLT, M8X 16 PLATED	1							
12	1	26106-080202	BOLT, M8X 20 PLATED	3							
13	1	26106-080452	BOLT, M8X 45 PLATED	3							
14	1	26306-100002	NUT, M10	4							
15	1	129951-01740	COVER	1							
16	1	26106-080202	BOLT, M8X 20 PLATED	1							
17	1	26106-080452	BOLT, M8X 45 PLATED	5							
18	1	26106-080752	BOLT, M8X 75 PLATED	1							
19	1	124160-01751	CAP, FILLER	1							
20	1	24311-000320	O-RING, 1AP32.0	1							
21	1	729907-01559	COVER ASSY,GEAR CASE	1							
23	2	129916-01800	SEAL, OIL	1							
24	1	129900-01850	COVER ASSY,GEAR CASE	1							
25	2	129900-01870	SPONGE, GEAR CASE	1							
26	1	26106-080162	BOLT, M8X 16 PLATED	3							
27	1	26106-080402	BOLT, M8X 40 PLATED	5							
28	1	26106-080702	BOLT, M8X 70 PLATED	6							

N:Old $\frac{100}{100}$ New, Q:Old $\frac{100}{100}$ New, R:Old $\frac{100}{100}$ New, S:Old $\frac{100}{100}$ New, W:Add, Z:Discontinued, F:Interchangeable by set, K:Qty Change
 Copyright (C) 2015 YANMAR GLOBAL CS CO., LTD. All Rights Reserved.

Fig.3. FLYWHEEL HOUSING & OIL SUMP

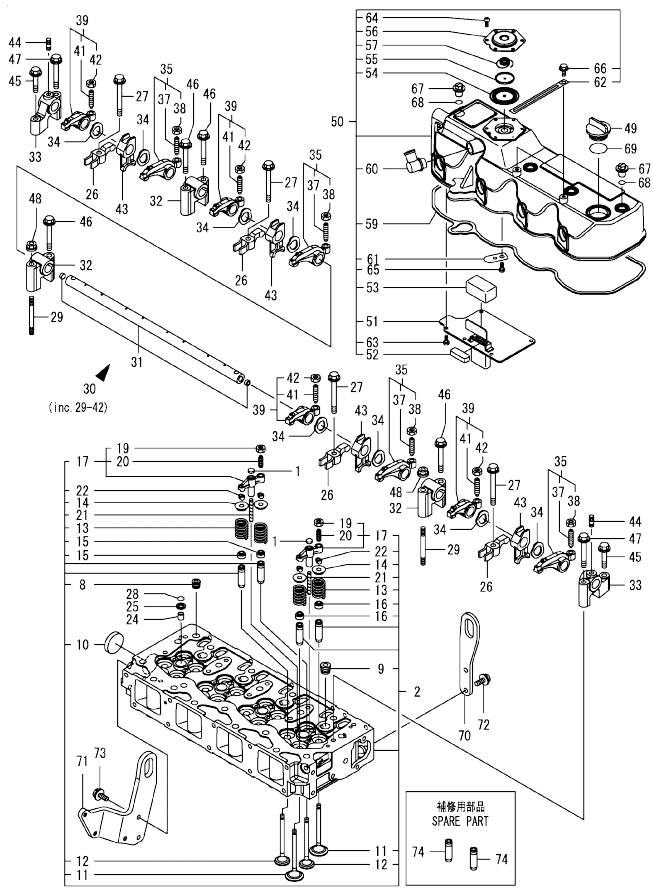


(A)=4TNV98T-ZGECS
(B)=
(C)=

(D)=
(E)=
(F)=

No.	Lev.	Parts No.	Description	Q'ty					
				(A)	(B)	(C)	(D)	(E)	(F)
1	1	129100-01580	PIN, PARALLEL 8X16	2					
2	1	129915-01610	HOUSING, FLYWHEEL	1					
3	1	119000-01840	PLUG, RUBBER	1					
4	1	26206-100352	BOLT, M10X 35 PLATED	9					
5	1	124411-01780	SEAL, HTC95X115X12	1					
6	1	129982-01710	OIL PAN ASSY	1					
7	2	119640-01640	PLUG, DRAIN M22	1					
9	2	22190-220002	WASHER, SEAL 22	1					
10	1	26106-080122	BOLT, M8X 12 PLATED	16					

Fig.4. CYLINDER HEAD & BONNET



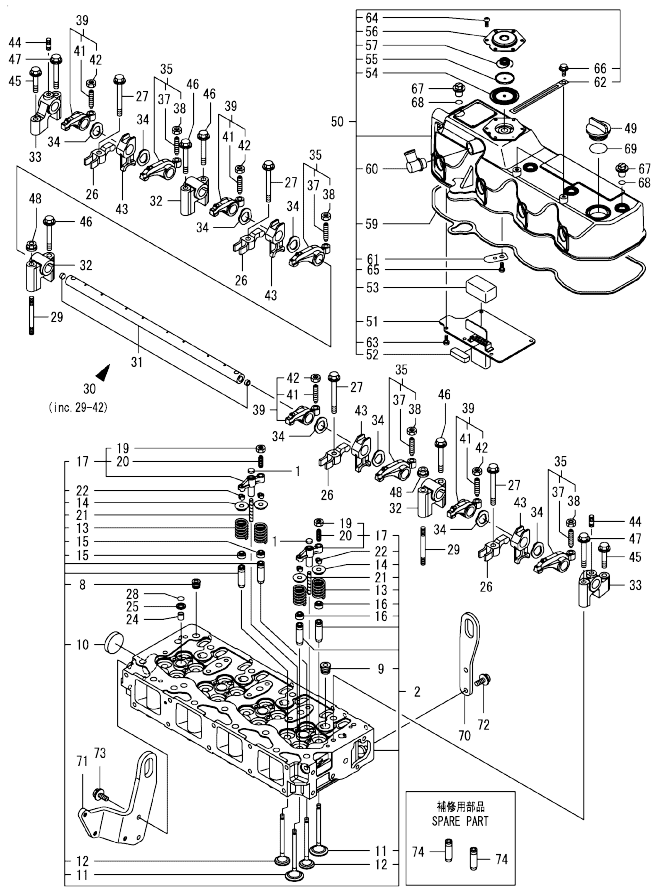
(A)=4TNV98T-ZGECS
(B)=
(C)=

(D)=
(E)=
(F)=

No.	Lev.	Parts No.	Description	Q'ty						I	R
				(A)	(B)	(C)	(D)	(E)	(F)		
1	1	123907-11550	SEAT, VALVE BRIDGE	8							
2	1	129928-11700	HEAD ASSY, CYLINDER	1							
8	2	23876-020000	PLUG, R02	1							
9	2	23876-030000	PLUG, R03	4							
10	2	27241-400000	PLUG, 40	1							
11	2	129907-11100	VALVE, SUCTION	8							
12	2	129907-11110	VALVE, EXHAUST	8							
13	2	129907-11120	SPRING, VALVE	16							
14	2	119620-11180	RETAINER, SPRING	16							
15	2	119803-11340	SEAL, VALVE STEM	8							
16	2	124160-11340	SEAL, VALVE STEM	8							
17	2	129907-11510	BRIDGE ASSY, VALVE	8							
19	3	129150-11750	NUT, M8	8							
20	3	123907-11830	ADJUSTER	8							
21	2	123907-11820	GUIDE, BRIDGE	8							
22	2	27310-070001	COTTER, 7	16							
24	1	119802-11870	PROTECTOR, NOZZLE	4							
25	1	119625-11880	SEAT, NOZZLE	4							
26	1	129907-11910	RETAINER, NOZZLE	4							
27	1	129907-11950	BOLT, M8X75	4							
28	1	24311-000120	O-RING, 1AP12.0	4							
29	1	119593-11301	BOLT, STUD M8X80	2							
30	1	129907-11341	SHAFT ASSY, ROCKER	1							
31	2	129907-11250	SHAFT, ROCKER ARM	1							
32	2	129907-11260	SUPPORT, ROCKER ARM	3							
33	2	129907-11270	SUPPORT, ROCKER ARM	2							
34	2	123907-11280	WASHER	8							
35	2	129907-11650	ARM ASSY, ROCKER	4							
37	3	129150-11230	SCREW, VALVE ADJUST	4							
38	3	129150-11750	NUT, M8	4							
39	2	129907-11660	ARM ASSY, ROCKER	4							
41	3	129150-11230	SCREW, VALVE ADJUST	4							
42	3	129150-11750	NUT, M8	4							
43	2	129907-11920	RETAINER, NOZZLE	4							
44	2	26226-080222	STUD, M8X 22	2							
45	1	26106-080402	BOLT, M8X 40 PLATED	2							
46	1	26106-080602	BOLT, M8X 60 PLATED	4							
47	1	26106-080602	BOLT, M8X 60 PLATED	2							
48	1	26306-080002	NUT, M8	2							
49	1	124160-01751	CAP, FILLER	1							
50	1	129945-11320	BONNET ASSY, HEAD	1							
51	2	129907-03011	PLATE, BAFFLE	1							
52	2	129907-03061	BAFFLE, BREATHER	1							
53	2	129907-03070	BAFFLE, BREATHER	1							
54	2	123907-03100	DIAPHRAGM	1							
55	2	123907-03110	PLATE	1							
56	2	123907-03120	PLATE, BREATHER	1							
57	2	123907-03140	SPRING, DIAPHRAGM	1							
59	2	129933-11310	GASKET, BONNET	1							
60	2	119100-11330	ELBOW, BREATHER	1							
61	2	129009-11340	SPRING, PLATE	1							

Remarks
(1) Spare parts.

Fig.4. CYLINDER HEAD & BONNET



(A)=4TNV98T-ZGECs
(B)=
(C)=

(D)=
(E)=
(F)=

No.	Lev.	Parts No.	Description	(A)	(B)	(C)	(D)	(E)	(F)	I	R
62	2	129509-79700	CLAMP, 140-M6	2							
63	2	22857-500100	SCREW, 5X10	6							
64	2	22857-500100	SCREW, 5X10	6							
65	2	22857-500100	SCREW, 5X10	1							
66	2	26106-060122	BOLT, M6X 12 PLATED	2							
67	1	124160-11360	KNOB	4							
68	1	24311-000120	O-RING, 1AP12.0	4							
69	1	24311-000320	O-RING, 1AP32.0	1							
70	1	129907-07900	LIFTER, ENGINE	1							
71	1	129948-07900	LIFTER, ENGINE	1							
72	1	26106-080162	BOLT, M8X 16 PLATED	2							
73	1	26106-080202	BOLT, M8X 20 PLATED	2							
74	1	129907-11800	GUIDE, VALVE	16							1

Remarks

(1) Spare parts.

Fig.5. SUCTION MANIFOLD & AIR CLEANER

(A)=4TNV98T-ZGECS
(B)=
(C)=

(D)=
(E)=
(F)=

No.	Lev.	Parts No.	Description	Qty						I	R
				(A)	(B)	(C)	(D)	(E)	(F)		
1	1	129907-12110	GASKET, MANIFOLD	1							
2	1	129945-12150	MANIFOLD ASSY,INTAKE	1							
3	2	129928-12100	MANIFOLD, AIR INTAKE	1							
4	2	129928-13710	SPACER, EGR VALVE	1							
5	2	129928-13720	GASKET	1							
6	2	26106-060202	BOLT, M6X 20 PLATED	3							
7	2	26216-060202	STUD, M6X 20	2							
8	1	26106-080452	BOLT, M8X 45 PLATED	6							
9	1	26106-080802	BOLT, M8X 80 PLATED	4							
10	1	129928-18200	DUCT, AIR	1							
11	1	129945-18210	JOINT, RUBBER	1							
12	1	129945-18220	JOINT, RUBBER	1							
13	1	23000-054000	CLAMP, 54	3							
14	1	23000-080000	CLAMP, 80	1							
14-1	1	23000-070000	CLAMP, 70	1							N
15	1	119129-77020	GASKET	1							
16	1	121850-77021	GASKET, AIR HEATER	1							
17	1	119005-77051	HEATER, AIR	1							
18	1	119129-77520	BEND	1							
19	1	26106-080402	BOLT, M8X 40 PLATED	2							
20	1	26106-080902	BOLT, M8X 90 PLATED	2							
21	1	129945-03040	JOINT,ORIFICE	1							
22	1	129945-03050	JOINT,BREATHER	1							
23	1	129945-03080	HOSE ASSY, BREATHER	1							
25	2	129410-03990	CLAMP, HOSE 21.5	2							
27	1	129509-12070	HOSE, AIR INTAKE	1							
28	1	129945-12080	HOSE, AIR INTAKE	1							
29	1	129933-12500	AIR CLEANER ASSY	1							
30	2	129935-12520	ELEMENT, OUTER	1							
31	2	119160-12530	COVER ASSY	1							
32	2	119160-12540	VALVE	1							
33	2	121820-12590	NIPPLE	1							
34	1	129949-12560	BRACKET, CLEANER	1							
35	1	23000-070000	CLAMP, 70	3							
36	1	23000-102000	CLAMP, 102	1							

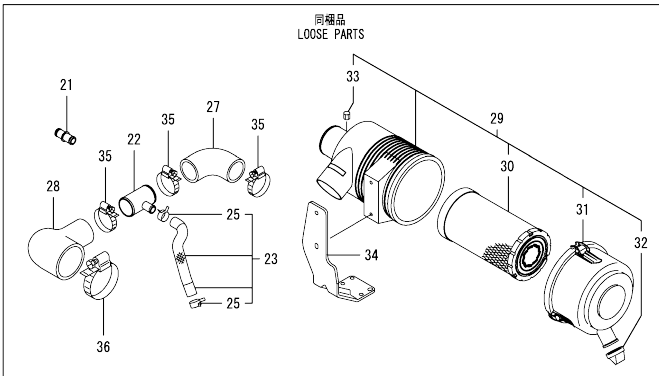
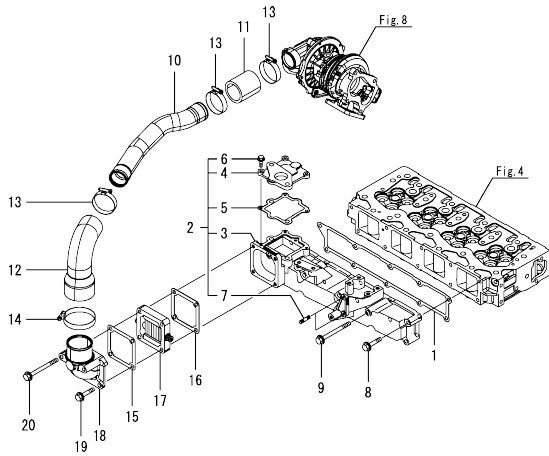
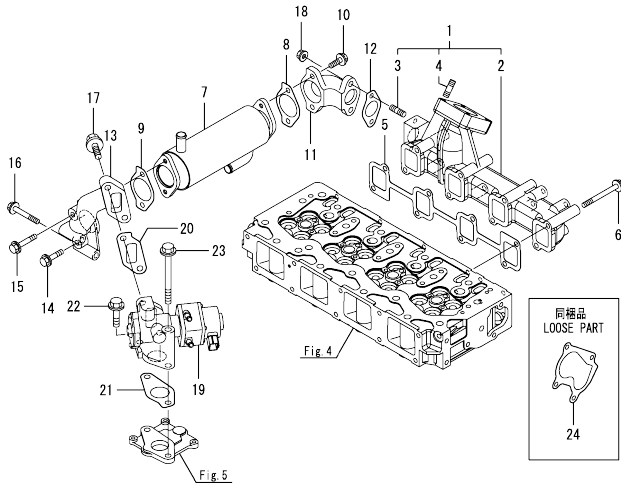


Fig.6. EXHAUST MANIFOLD

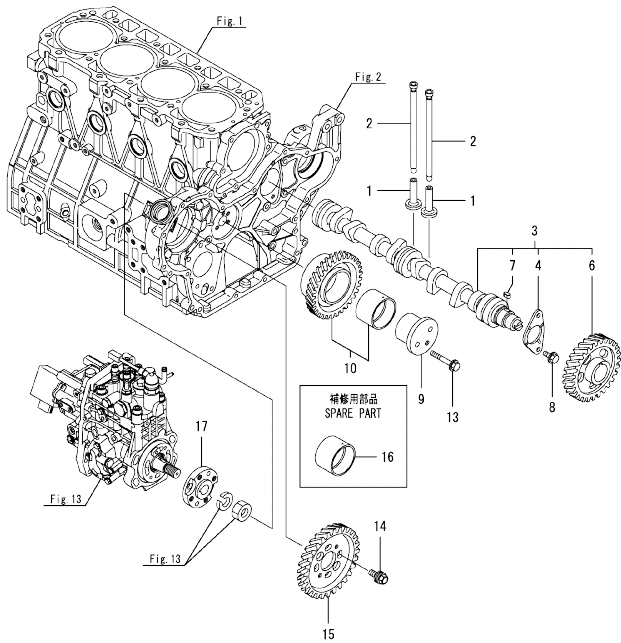


(A)=4TNV98T-ZGECS
(B)=
(C)=

(D)=
(E)=
(F)=

No.	Lev.	Parts No.	Description	Q'ty						I	R
				(A)	(B)	(C)	(D)	(E)	(F)		
1	1	129928-13150	MANIFOLD ASSY, EXH.	1							
2	2	129928-13100	MANIFOLD, EXHAUST	1							
3	2	129418-18320	BOLT, STUD M8X20	2							
4	2	129418-18320	BOLT, STUD M8X20	4							
5	1	129900-13251	GASKET, EXH.MANIFOLD	1							
6	1	129E00-13640	BOLT, M8X80 10.9T	8							
7	1	129928-13400	COOLER ASSY, EGR	1							
8	1	129928-13410	GASKET	1							
9	1	129928-13410	GASKET	1							
10	1	119802-13791	BOLT, M8X25 10.9T	2							
11	1	129948-13800	PIPE, EGR IN	1							
12	1	129927-13810	GASKET	1							
13	1	129948-13810	PIPE, EGR IN	1							
14	1	26106-080352	BOLT, M8X 35 PLATED	1							
15	1	26106-080452	BOLT, M8X 45 PLATED	1							
16	1	26106-080552	BOLT, M8X 55 PLATED	2							
17	1	26106-100252	BOLT, M10X 25 PLATED	2							
18	1	26306-080002	NUT, M8	2							
19	1	129928-13900	VALVE, EGR	1							
20	1	129927-13910	GASKET, EGR	1							
21	1	129927-13920	GASKET, EGR	1							
22	1	26106-100402	BOLT, M10X 40 PLATED	1							
23	1	26106-101052	BOLT, M10X105 PLATED	1							
24	1	123901-18080	GASKET	1							

Fig.7. CAMSHAFT & DRIVING GEAR



(A)=4TNV98T-ZGECS
(B)=
(C)=

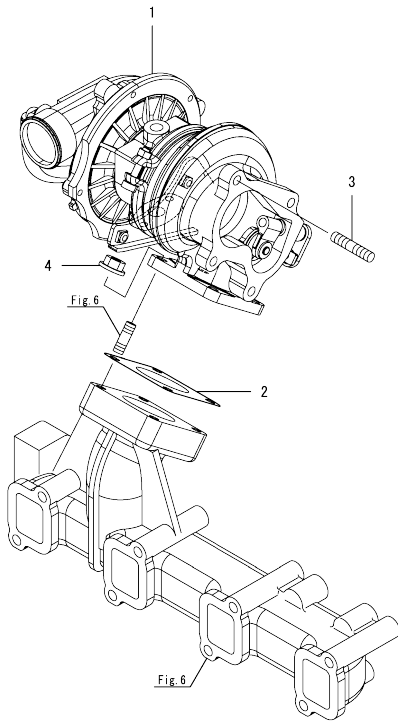
(D)=
(E)=
(F)=

No.	Lev.	Parts No.	Description	Q'ty						I	R
				(A)	(B)	(C)	(D)	(E)	(F)		
1	1	129150-14200	TAPPET	8							
2	1	129907-14400	PUSH-ROD	8							
3	1	129908-14581	CAMSHAFT ASSY	1							
4	2	129150-02450	BEARING, THRUST	1							
6	2	129900-14100	GEAR, CAMSHAFT	1							
7	2	22512-070140	KEY, 7X 14	1							
8	1	26106-080142	BOLT, M8X 14 PLATED	2							
9	1	123900-25060	SHAFT, IDLE GEAR	1							
10	1	129900-25100	GEAR ASSY, IDLE	1							
13	1	26106-080552	BOLT, M8X 55 PLATED	3							
14	1	129953-25300	BOLT	4							
15	1	129907-25900	GEAR, PUMP	1							
16	1	129150-25920	BUSH, IDLE GEAR	1							1
17	1	158563-51150	FLANGE	1							

Remarks

(1)Spare parts.

Fig.8. TURBINE

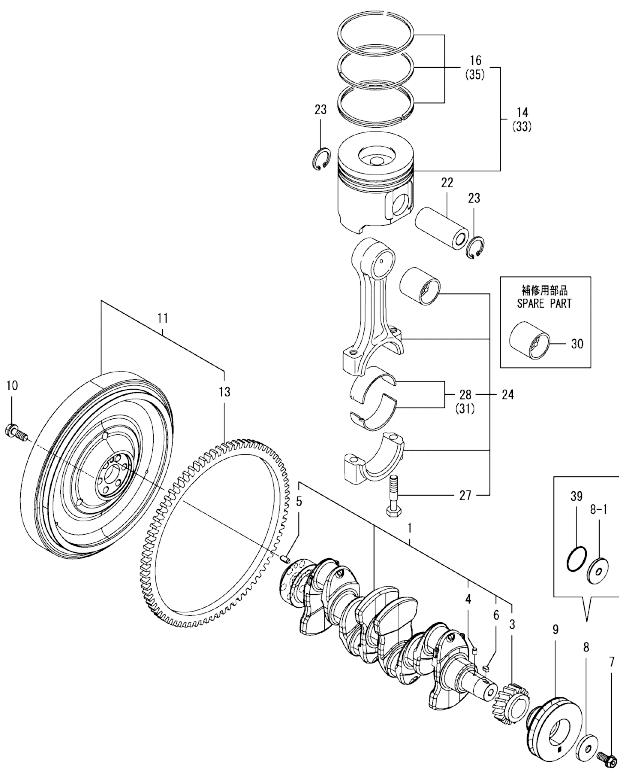


(A)=4TNV98T-ZGECS
(B)=
(C)=

(D)=
(E)=
(F)=

No.	Lev.	Parts No.	Description	Q'ty					
				(A)	(B)	(C)	(D)	(E)	(F)
1	1	129945-18010	TURBOCHARGER, RHF5	1					
2	1	129472-18090	GASKET	1					
3	1	119131-18320	BOLT, STUD M8X22	4					
4	1	26306-080002	NUT, M8	4					

Fig.9. CRANKSHAFT & PISTON



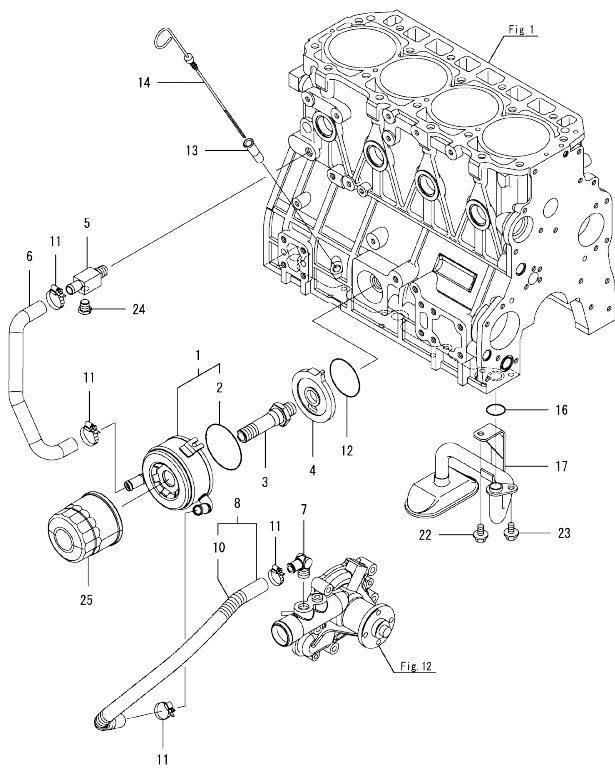
(A)=4TNV98T-ZGECs
(B)=
(C)=

(D)=
(E)=
(F)=

No.	Lev.	Parts No.	Description	Q'ty						I	R
				(A)	(B)	(C)	(D)	(E)	(F)		
1	1	129908-21000	CRANKSHAFT ASSY	1							
3	2	129900-21200	GEAR, CRANKSHAFT	1							
4	2	121850-21290	PIN	1							
5	2	121850-21920	PIN, PARALLEL 10X22	1							
6	2	22512-070140	KEY, 7X 14	1							
7	1	129916-21610	BOLT	1							
8	1	129900-21640	WASHER	1							
8-1	1	129960-21940 (A=E134767)	WASHER, V-PULLEY	1							N
9	1	129907-21660	V-PULLEY, CRANK 130	1							
10	1	121850-21130	BOLT, FLYWHEEL	6							
11	1	129920-21580	FLYWHEEL ASSY	1							
13	2	127410-21480	GEAR, RING Z=129	1							
14	1	129928-22080	PISTON ASSY	4							
16	2	129927-22050	RING SET, PISTON	4							
22	1	120130-22301	PIN, PISTON	4							
23	1	22252-000300	RING, 30	8							
24	1	129900-23001	ROD ASSY, CONNECTING	4							
27	2	129900-23200	BOLT, CONNECTING ROD	8							
28	2	129900-23601	BEARING, CRANK PIN	4							
30	1	129900-23911	BEARING, PISTON PIN	4							1
31	1	129900-23611	BEARING ASSY, 0.25US	4							2
33	1	729928-22900	PISTON ASSY, 0.25 OS	4							3
35	2	729927-22950	RING SET, 0.25 OS	4							3
39	1	129960-21930 (A=E134767)	GASKET, WASHER	1							W

Remarks
(1)Spare parts.
(2)Under-sized(U.S.=0.25) parts.
(3)Over-sized(O.S.=0.25) parts.

Fig.10. LUB. OIL SYSTEM



(A)=4TNV98T-ZGECS
(B)=
(C)=

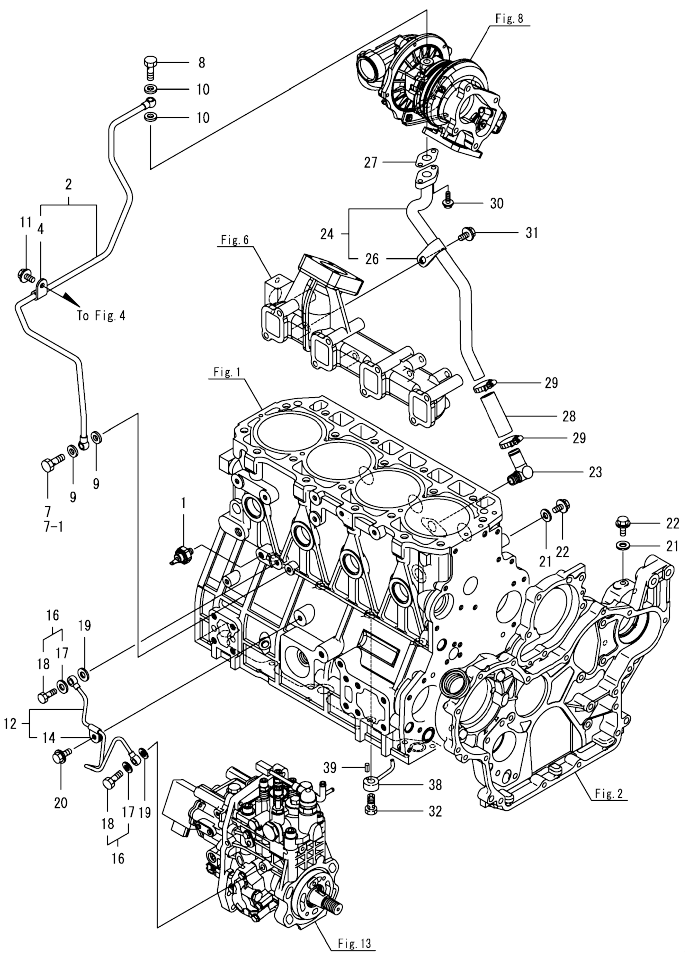
(D)=
(E)=
(F)=

No.	Lev.	Parts No.	Description	Q'ty						I	R
				(A)	(B)	(C)	(D)	(E)	(F)		
1	1	129908-33010	COOLER ASSY, OIL	1							
2	2	123912-33050	O-RING	1							
3	1	123912-33100	BOLT, COOLER	1							
4	1	129908-33101	BRACKET, OIL COOLER	1							
5	1	129006-44480	JOINT	1							
6	1	129908-49060	HOSE, WATER	1							
7	1	129466-49300	ELBOW, PT3/8	1							
8	1	123910-49600	HOSE ASSY WATER	1							
10	2	123910-49610	TUBE, CORRUGATED	1							
11	1	23000-025000	CLAMP, 25	4							
12	1	24321-000600	O-RING, 1AG60.0	1							
13	1	121520-34810	GUIDE, DIPSTICK	1							
14	1	129953-34830	DIPSTICK	1							
16	1	129900-32030	O-RING, P20	1							
17	1	129953-35000	PIPE ASSY, OIL INLET	1							
22	1	26106-080122	BOLT, M8X 12 PLATED	1							
23	1	26106-080162	BOLT, M8X 16 PLATED	1							
24	1	171056-49120	PLUG, DRAIN R1/4	1							
25	1	129150-35153	FILTER ASSY, D80X80L	1							1

Remarks

(1)Spare parts.

Fig.11. LUB. OIL PIPE

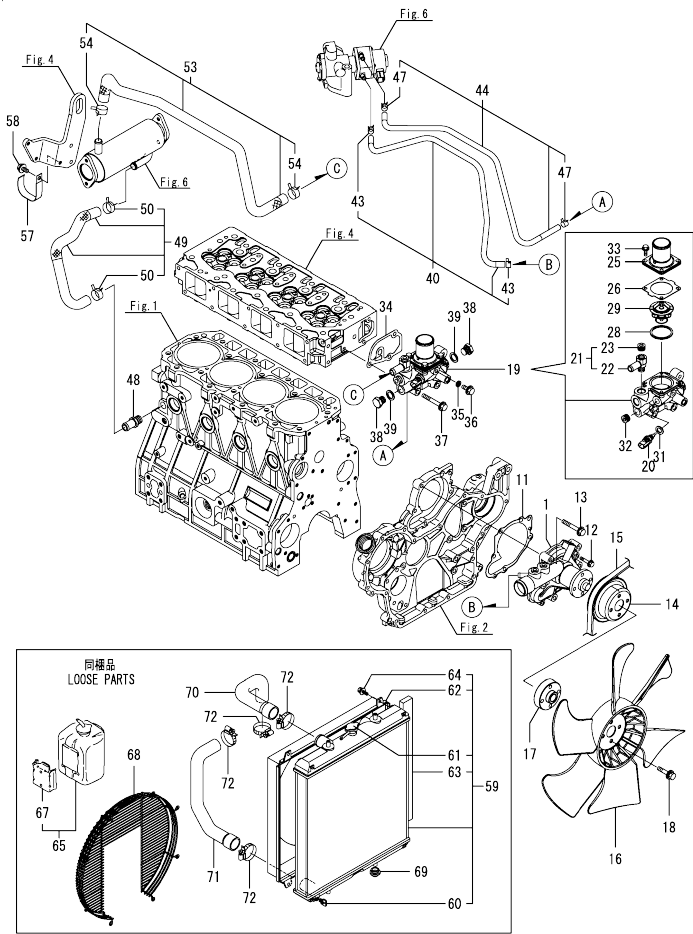


(A)=4TNV98T-ZGECS
(B)=
(C)=

(D)=
(E)=
(F)=

No.	Lev.	Parts No.	Description	Q'ty						I	R
				(A)	(B)	(C)	(D)	(E)	(F)		
1	1	119761-39450	SWITCH, HYDRAULIC	1							
2	1	129935-39040	PIPE ASSY, OIL	1							
4	2	124223-39900	RETAINER	1							
7	1	105010-39140	BOLT, PIPE JOINT	1							
7-1	1	129198-59540	BOLT, PIPE JOINT M8	1							S
(A=E162316)											
8	1	121252-39150	BOLT, JOINT M10X1.5	1							
9	1	22190-080002	WASHER, SEAL 8	2							
10	1	23414-100000	GASKET, 10X1.0	2							
11	1	26106-080122	BOLT, M8X 12 PLATED	1							
12	1	129927-39060	PIPE ASSY, OIL	1							
14	2	123907-39500	RETAINER, PIPE	1							
16	1	129005-59830	BOLT ASSY, JOINT M8	2							
17	2	22190-080002	WASHER, SEAL 8	2							
18	2	23857-030000	BOLT, JOINT 3	2							
19	1	22190-080002	WASHER, SEAL 8	2							
20	1	26106-080122	BOLT, M8X 12 PLATED	1							
21	1	22190-080002	WASHER, SEAL 8	2							
22	1	26106-080122	BOLT, M8X 12 PLATED	2							
23	1	124070-13300	ELBOW, PT3/8	1							
24	1	129935-39610	PIPE, OIL	1							
26	2	123910-39850	RETAINER	1							
27	1	129908-39690	GASKET	1							
28	1	123901-39820	HOSE, LO RETURN	1							
29	1	23000-025000	CLAMP, 25	2							
30	1	26106-060162	BOLT, M6X 16 PLATED	2							
31	1	26106-080122	BOLT, M8X 12 PLATED	1							
32	1	129908-39410	VALVE ASSY, CHECK	4							
38	1	119000-39650	NOZZLE, COOLING	4							
39	1	22351-030010	PIN, SPRING 3.0X10	4							

Fig.12. COOLING WATER SYSTEM



No.	Lev.	Parts No.	Description	Q'ty						I	R
				(A)	(B)	(C)	(D)	(E)	(F)		
1	1	129927-42001	PUMP ASSY, WATER	1							
11	1	129900-42020	GASKET, WATER PUMP	1							
12	1	26106-060302	BOLT, M6X 30 PLATED	2							
13	1	26106-080552	BOLT, M8X 55 PLATED	5							
14	1	129900-42462	V-PULLEY, PUMP	1							
15	1	25132-004100	V-BELT, A41	1							
16	1	129916-44740	FAN, COOLING D=430	1							
17	1	119130-44760	SPACER, FAN	1							
18	1	26014-080352	BOLT, M8X 35	4							
19	1	129928-49800	CASE ASSY, THERMOSTAT	1							
20	2	129927-44900	SENSOR, WATER TEMP.	1							
21	2	129928-49400	JOINT ASSY	1							
22	3	129928-49410	JOINT	1							
23	3	23875-030000	PLUG, R03	1							
25	2	129916-49530	COVER, THERMOSTAT	1							
26	2	121850-49540	GASKET, THERMOSTAT	1							
28	2	121850-49550	GASKET, THERMOSTAT	1							
29	2	121850-49811	THERMOSTAT, 71C	1							
31	2	22190-120002	WASHER, SEAL 12	1							
32	2	23875-030000	PLUG, R03	1							
33	2	26106-060202	BOLT, M6X 20 PLATED	4							
34	1	129900-49870	GASKET, THERMOSTAT	1							
35	1	23414-080000	GASKET, 8X1.0	1							
36	1	26106-080122	BOLT, M8X 12 PLATED	1							
37	1	26106-080602	BOLT, M8X 60 PLATED	3							
38	1	121450-42450	PLUG, M16	2							
39	1	124465-44950	GASKET, 16	2							
40	1	129927-49610	HOSE ASSY, WATER	1							
43	2	23080-012000	CLAMP, 12	2							
44	1	129927-49620	HOSE ASSY, WATER	1							
47	2	23080-012000	CLAMP, 12	2							
48	1	129928-49420	JOINT	1							
49	1	129948-49610	HOSE ASSY, WATER	1							
50	2	129960-03990	CLAMP, HOSE 19.8	2							
53	1	129948-49620	HOSE ASSY, WATER	1							
54	2	129960-03990	CLAMP, HOSE 19.8	2							
57	1	129928-79700	CLAMP, 150-M8	1							
58	1	26106-080122	BOLT, M8X 12 PLATED	1							
59	1	129940-44500	RADIATOR ASSY	1							
60	2	129508-44550	COCK ASSY	1							
61	2	129107-44590	CAP, RADIATOR	1							
62	2	129907-44600	SHROUD	1							
63	2	129907-44610	GASKET	2							
64	2	26014-060122	BOLT, M6X 12	4							
65	1	720445-44200	TANK ASSY, SUB	1							
67	2	120445-44540	SUPPORT	1							
68	1	129907-44560	GUARD, FAN	1							
69	1	119255-44660	ABSORBER	4							
70	1	129981-49050	HOSE, WATER	1							
71	1	129981-49062	HOSE, WATER	1							
72	1	23000-060000	CLAMP, 60	4							

(A)=4TNV98T-ZGECs
(B)=
(C)=

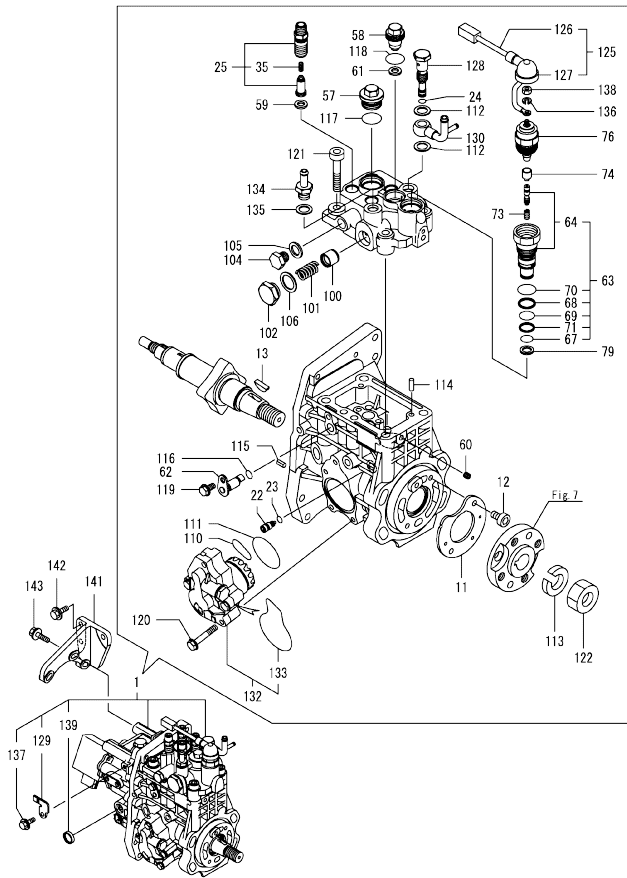
(D)=
(E)=
(F)=

N:Old $\frac{100}{100}$ New, O:Old $\frac{100}{100}$ New, R:Old $\frac{100}{100}$ New, S:Old $\frac{100}{100}$ New, W:Add, Z:Discontinued, F:Interchangeable by set, K:Q'ty Change
Copyright (C) 2015 YANMAR GLOBAL CS CO., LTD. All Rights Reserved.

Fig.13. FUEL INJECTION PUMP

(A)=4TNV98T-ZGECs
(B)=
(C)=

(D)=
(E)=
(F)=

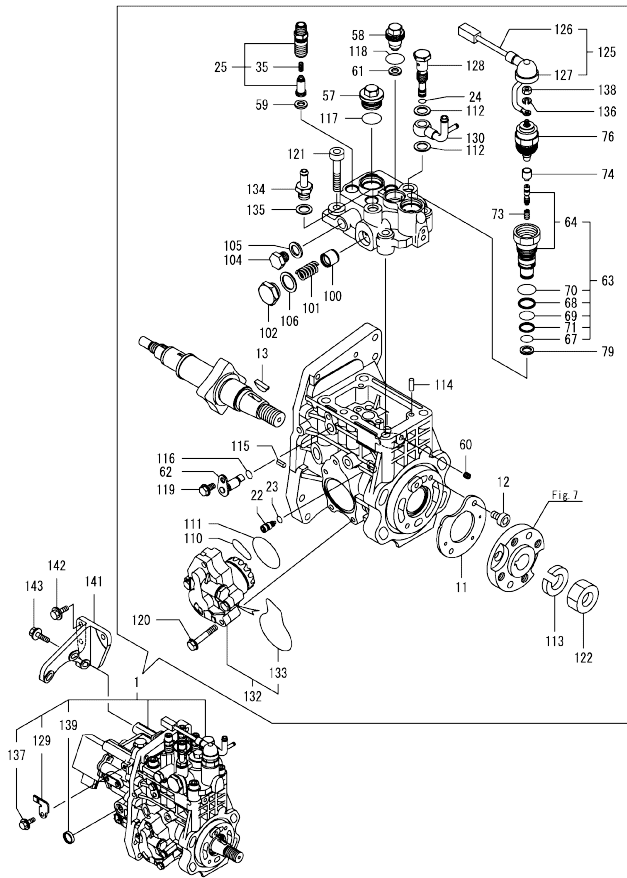


No.	Lev.	Parts No.	Description	Q'ty						I	R
				(A)	(B)	(C)	(D)	(E)	(F)		
1	1	729945-51390	FIE ASSY	1							1
11	2	129928-51900	COVER	1							
12	2	129008-51920	BOLT, SOCKET M6X10	2							
13	2	144626-51090	FEATHER KEY, 5X19	1							
22	2	158600-51270	STOPPER, TAPPET	1							
23	2	158563-51281	O-RING, 4D S6	1							
24	2	158563-51281	O-RING, 4D S6	1							
25	2	129928-51390	VALVE ASSY, DELIVERY	4							
35	3	158563-51330	SPRING, DELIVERY	4							
57	2	158601-51550	PLUG, M22	1							
58	2	129907-51560	PLUG, M16	1							
59	2	158552-51571	GASKET, PLUG	4							
60	2	158557-51570	PLUG, RACK	1							
61	2	129906-51580	GASKET, PLUG	1							
62	2	158552-51580	LIFTER, LINK	1							
63	2	129657-51590	TIMER ASSY	1							
64	3	129657-51600	TIMER ASSY	1							
67	3	158553-51670	O-RING	1							
68	3	119802-51680	RING, BACKUP	1							
69	3	119802-51690	O-RING	1							
70	3	24356-190200	O-RING, 4D19020	1							
71	3	24372-000150	RING, BACK UP T2P15	1							
73	2	119852-51630	SPRING, TIMER	1							
74	2	119852-51640	CAP, TIMER	1							
76	2	119852-51650	VALVE ASSY, SOLENOID	1							
79	2	158553-51680	GASKET, TIMER	1							
100	2	158601-51770	PISTON, ACCUMULATOR	1							
101	2	158552-51781	SPRING, ACCUMULATOR	1							
102	2	158601-51790	PLUG	1							
104	2	158553-51930	PLUG, M12	1							
105	2	22190-120002	WASHER, SEAL 12	1							
106	2	22190-180002	WASHER, SEAL 18	1							
110	2	158552-52311	O-RING	1							
111	2	158552-52400	O-RING, 4E S42	1							
112	2	22190-120002	WASHER, SEAL 12	2							
113	2	22217-180000	WASHER, SPRING 18	1							
114	2	22312-050140	PIN, PARALLEL 5X14	2							
115	2	22351-050010	PIN, SPRING 5.0X10	2							
116	2	24311-000070	O-RING, 1AP7.0	1							
117	2	24356-190200	O-RING, 4D19020	1							
118	2	24356-240210	O-RING, 4D24021	1							
119	2	26106-060102	BOLT, M6X 10 PLATED	1							
120	2	26106-060352	BOLT, M6X 35 PLATED	4							
121	2	26450-100452	BOLT, M10X 45	4							
122	2	26776-180002	NUT, LOCK M18	1							
125	2	129927-51650	HARNES ASSY, WIRE	1							
126	3	129927-51660	HARNES	1							
127	3	129263-77941	CAP, RUBBER	1							
128	2	158601-51650	JOINT, OVER FLOW	1							
129	2	129927-51670	BRACKET	1							
130	2	158552-51670	JOINT, OVER FLOW	1							

Remarks

(1)Governor(Fig.14) is incorporated in this Fuel Injection Pump(No.1).

Fig.13. FUEL INJECTION PUMP



(A)=4TNV98T-ZGECS
(B)=
(C)=

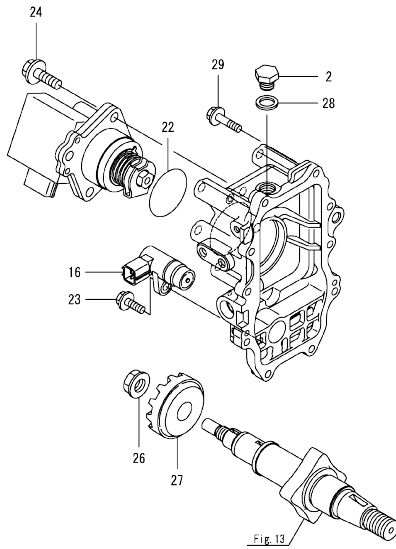
(D)=
(E)=
(F)=

No.	Lev.	Parts No.	Description	Q'ty					
				(A)	(B)	(C)	(D)	(E)	(F)
132	2	158552-52100	PUMP ASSY, FUEL FEED	1					
133	3	158552-52500	O-RING	1					
134	2	119934-59910	JOINT, PIPE	1					
135	2	22190-120002	WASHER, SEAL 12	1					
136	2	22217-050000	WASHER, SPRING 5	1					
137	2	26106-060122	BOLT, M6X 12 PLATED	1					
138	2	26716-050002	NUT, M5	1					
139	2	27241-160000	PLUG, 16	1					
141	1	129927-51250	RETAINER, PUMP	1					
142	1	26106-080202	BOLT, M8X 20 PLATED	3					
143	1	26106-080302	BOLT, M8X 30 PLATED	3					

Remarks

(1)Governor(Fig.14) is incorporated in this Fuel Injection Pump(No.1).

Fig.14. GOVERNOR



(A)=4TNV98T-ZGECS
(B)=
(C)=

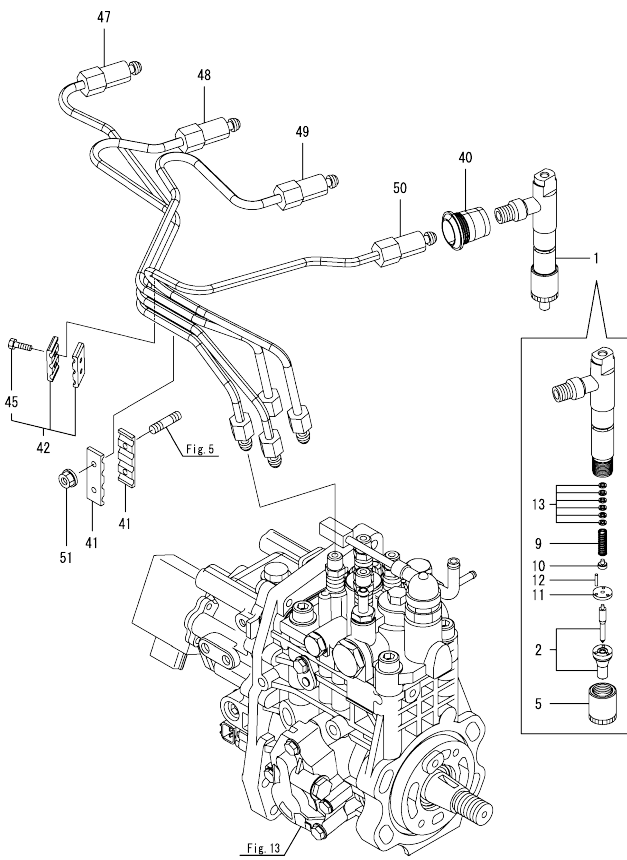
(D)=
(E)=
(F)=

No.	Lev.	Parts No.	Description	Q'ty						I	R
				(A)	(B)	(C)	(D)	(E)	(F)		
2	2	158553-51930	PLUG, M12	1							
16	2	158557-61720	SENSOR	1							
22	2	24341-000480	O-RING, 1AS48.0	1							
23	2	26106-060162	BOLT, M6X 16 PLATED	1							
24	2	26106-080252	BOLT, M8X 25 PLATED	3							
26	2	129008-61301	NUT	1							
27	2	158553-61780	GEAR, SENSOR	1							
28	2	22190-120002	WASHER, SEAL 12	1							
29	2	26106-060252	BOLT, M6X 25 PLATED	10							

Remarks

* This figure(Governor) is incorporated in the Fuel Injection Pump(Fig.13).

Fig.15. FUEL INJECTION VALVE

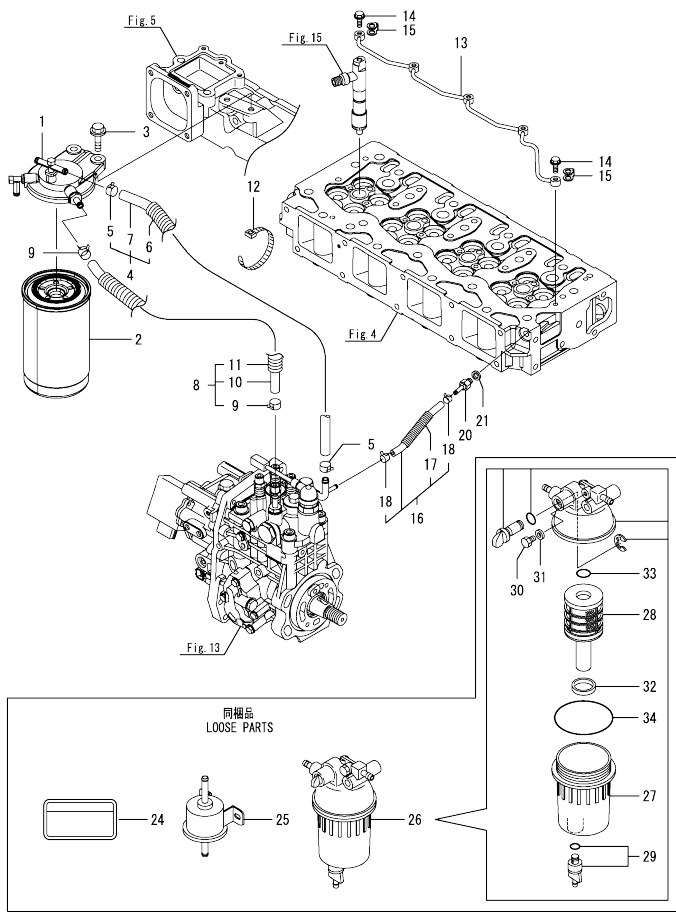


(A)=4TNV98T-ZGECS
(B)=
(C)=

(D)=
(E)=
(F)=

No.	Lev.	Parts No.	Description	Q'ty						I	R
				(A)	(B)	(C)	(D)	(E)	(F)		
1	1	729928-53200	FUEL INJECTOR ASSY	4							
2	2	129509-53000	NOZZLE ASSY, F.I.	4							
5	2	114250-53080	NUT, NOZZLE	4							
9	2	114250-53120	SPRING, NOZZLE	4							
10	2	114250-53130	SEAT, SPRING	4							
11	2	114250-53140	SPACER	4							
12	2	114250-53210	PIN	8							
13	2	119803-53400	SHIM SET	4							
40	1	123907-11601	SEAL, PIPE	4							
41	1	123472-59120	RETAINER, PIPE	2							
42	1	129150-59120	RETAINER, PIPE	1							
45	2	129150-59131	BOLT, M4X14	2							
47	1	129927-59810	PIPE ASSY, INJECTION	1							
48	1	129927-59820	PIPE ASSY, INJECTION	1							
49	1	129927-59830	PIPE ASSY, INJECTION	1							
50	1	129927-59840	PIPE ASSY, INJECTION	1							
51	1	26366-060002	NUT, M6	2							

Fig.16. FUEL PIPE

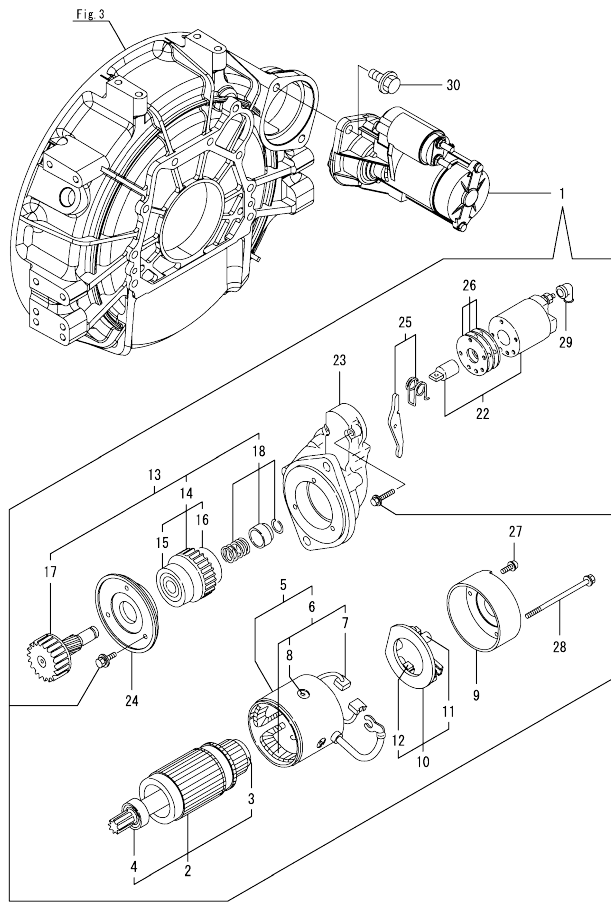


(A)=4TNV98T-ZGECS
(B)=
(C)=

(D)=
(E)=
(F)=

No.	Lev.	Parts No.	Description	Qty						I	R
				(A)	(B)	(C)	(D)	(E)	(F)		
1	1	129004-55612	BRACKET, FILTER	1							
2	1	123907-55801	FILTER, FUEL	1							
3	1	26106-080302	BOLT, M8X 30 PLATED	2							
4	1	129457-59010	HOSE ASSY, FUEL	1							
5	2	124766-59050	CLAMP, HOSE 11.5	2							
6	2	129957-59120	TUBE, CORRUGATED 15	1							
7	2	105025-59750	HOSE, FUEL	1							
8	1	129961-59310	HOSE ASSY, FUEL	1							
9	2	124766-59050	CLAMP, HOSE 11.5	2							
10	2	129136-59110	HOSE, D13/7.5X270	1							
11	2	129961-59110	TUBE, CORRUGATED 15	1							
12	1	121750-59890	BAND, NYLON	1							
13	1	129907-59140	PIPE ASSY, RETURN	1							
14	1	123907-59540	BOLT, PIPE JOINT M6	5							
15	1	123907-59550	GASKET	5							
16	1	129927-59550	HOSE ASSY RETURN	1							
17	2	129263-49750	TUBE, CORRUGATED	1							
18	2	124722-59050	CLAMP, HOSE 9	2							
20	1	123907-59560	JOINT, HOSE	1							
21	1	22190-080002	WASHER, SEAL 8	1							
24	1	114110-07761	LABEL, FUEL OIL CAUT	1							
25	1	119225-52102	PUMP, FUEL FEED	1							
26	1	129242-55701	SEPARATOR ASSY, WATER	1							
27	2	129242-55720	CUP, SEPARATOR	1							
28	2	129242-55730	ELEMENT, FUEL	1							
29	2	129242-55740	PLUG, DRAIN	1							
30	2	129242-55750	VALVE, AIR VENT	1							
31	2	129242-55760	GASKET, PLUG	1							
32	2	129242-55770	FLOAT	1							
33	2	24311-000160	O-RING, 1AP16.0	1							
34	2	24321-000750	O-RING, 1AG75.0	1							

Fig.17. STARTER MOTOR

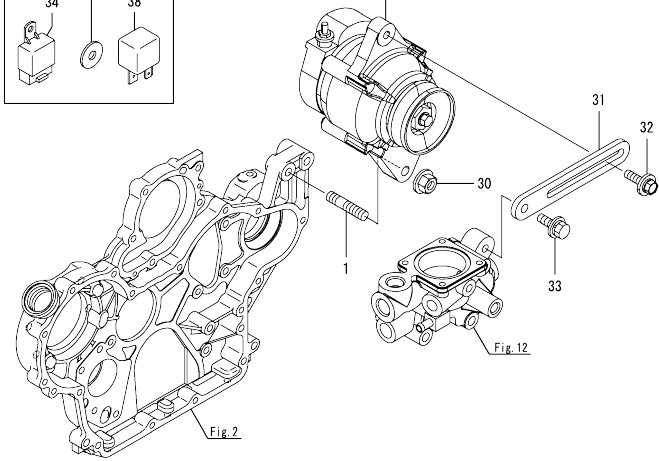
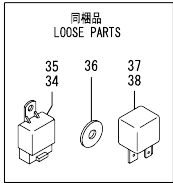
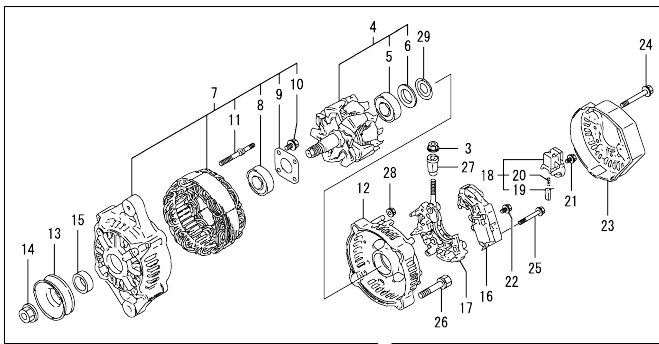


(A)=4TNV98T-ZGECS
(B)=
(C)=

(D)=
(E)=
(F)=

No.	Lev.	Parts No.	Description	Q'ty						I	R
				(A)	(B)	(C)	(D)	(E)	(F)		
1	1	129900-77040	STARTER ASSY	1							
2	2	129900-77120	ARMATURE ASSY	1							
3	3	171008-77410	BEARING, BALL	1							
4	3	171008-77420	BEARING, BALL	1							
5	2	129900-77130	YOKE ASSY	1							
6	3	129900-77140	COIL ASSY, FIELD	1							
7	4	129900-77450	BRUSH	2							
8	4	171008-77450	SCREW, CORE SET	4							
9	2	129900-77150	COVER	1							
10	2	129900-77160	HOLDER ASSY, BRUSH	1							
11	3	X2130631300	SPRING, BRUSH	4							
12	3	129900-77450	BRUSH	2							
13	2	129900-77170	CLUTCH ASSY	1							
14	3	129900-77180	CLUTCH ASSY	1							
15	4	129900-77190	BEARING, BALL	1							
16	4	X2114955020	BEARING, BALL	1							
17	3	129900-77270	SHAFT, PINION	1							
18	3	171008-77670	STOPPER SET, PINION	1							
22	2	129900-77280	SWITCH ASSY, MAGNET	1							
23	2	129900-77290	CASE, GEAR	1							
24	2	129900-77380	RETAINER, BEARING	1							
25	2	129900-77390	LEVER ASSY, SHIFT	1							
26	2	129900-77420	COVER KIT, DUST	1							
27	2	129900-77430	SCREW, M4X10	2							
28	2	129685-77640	BOLT, THROUGH	2							
29	2	171008-77750	COVER, TERMINAL	1							
30	1	26106-120252	BOLT, M12X 25 PLATED	2							

Fig.18. GENERATOR

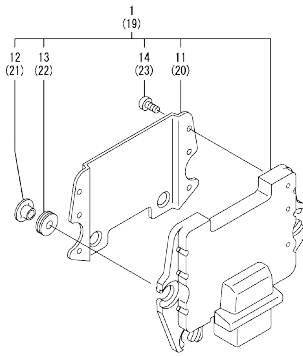


(A)=4TNV98T-ZGECS
(B)=
(C)=

(D)=
(E)=
(F)=

No.	Lev.	Parts No.	Description	Q'ty						I	R
				(A)	(B)	(C)	(D)	(E)	(F)		
1	1	129795-01900	BOLT, STUD M10X33	1							
2	1	129423-77200	GENERATOR ASSY, 40A	1							
3	2	X9490561001	NUT	1							
4	2	119620-77380	ROTOR ASSY	1							
5	3	123501-79240	BEARING, BALL	1							
6	3	119620-79250	COVER, BEARING	1							
7	2	119620-77421	FRAME ASSY, GENERATOR	1							
8	3	119620-79200	BEARING, BALL	1							
9	3	119620-79210	RETAINER	1							
10	3	119620-79220	SCREW	4							
11	3	119620-79230	BOLT, STUD	2							
12	2	119620-77440	FRAME ASSY	1							
13	2	119620-77461	PULLEY, GENERATOR	1							
14	2	119620-77471	NUT	1							
15	2	119620-77490	COLLAR	1							
16	2	129423-77710	REGULATOR ASSY	1							
17	2	119620-79260	HOLDER	1							
18	2	129052-79270	HOLDER, BRUSH	1							
19	3	119620-77480	BRUSH	2							
20	3	119620-79280	SPRING	2							
21	2	119620-79290	SCREW	6							
22	2	119620-79300	SCREW	1							
23	2	129240-79300	COVER	1							
24	2	119620-79310	BOLT	3							
25	2	119620-79320	SCREW	2							
26	2	119620-79330	BOLT	2							
27	2	119620-79340	BUSH, INSULATION	1							
28	2	119620-79350	NUT	2							
29	2	119620-79360	WASHER, THRUST	1							
30	1	26306-100002	NUT, M10	1							
31	1	129988-77330	ADJUSTER, BELT	1							
32	1	119810-77340	BOLT, ADJUST L=30	1							
33	1	26014-080252	BOLT, M8X 25	1							
34	1	172B02-17150	RELAY, CA C TYPE	1							
35	1	172B02-17150	RELAY, CA C TYPE	1							
36	1	129927-77690	WASHER, ECU	3							
37	1	129927-77920	RELAY, ISO 70A	1							
38	1	129927-77920	RELAY, ISO 70A	1							

Fig.19. ELECTRONIC CONTROL UNIT(ECU)



(A)=4TNV98T-ZGECs
(B)=
(C)=

(D)=
(E)=
(F)=

No.	Lev.	Parts No.	Description	Q'ty						
				(A)	(B)	(C)	(D)	(E)	(F)	
1	1	129945-75120	ECU ASSY,4V98T-ZGECs	1						1
11	2	129927-77600	SHIELD, ECU	1						
12	2	129927-77680	COLLAR, CONTROL	3						
13	2	119578-91351	ABSORBER	3						
14	2	22877-500080	SCREW, 5X 8	6						
19	1	129927-75900	ECU ASSY, SERVICE	1						2
20	2	129927-77600	SHIELD, ECU	1						
21	2	129927-77680	COLLAR, CONTROL	3						
22	2	119578-91351	ABSORBER	3						
23	2	22877-500080	SCREW, 5X 8	6						

Remarks

- (1)Eco ECU
This part cannot be ordered.
- Replace the part using a Service ECU with the proper engine information installed.
- (2)Service ECU
If the proper information is not installed, the engine will not operate.
- To install proper information, go to an authorized distributor.

Parts No. Index

Parts No.	Fig. No.	Ref. No.	Parts No.	Fig. No.	Ref. No.	Parts No.	Fig. No.	Ref. No.	Parts No.	Fig. No.	Ref. No.
129900-77450	17	7	129927-42001	12	1	129945-03080	5	23	158600-51270	13	22
		12	129927-42140	2	8	129945-11320	4	50	158601-51550	13	57
129906-51580	13	61	129927-44900	12	20	129945-12080	5	28	158601-51650	13	128
129907-01331	1	28	129927-49610	12	40	129945-12150	5	2	158601-51770	13	100
129907-03011	4	51	129927-49620	12	44	129945-18010	8	1	158601-51790	13	102
129907-03061	4	52	129927-51250	13	141	129945-18210	5	11	171008-77410	17	3
129907-03070	4	53	129927-51650	13	125	129945-18220	5	12	171008-77420	17	4
129907-07900	4	70	129927-51660	13	126	129945-75120	19	1	171008-77450	17	8
129907-11100	4	11	129927-51670	13	129	129948-07900	4	71	171008-77670	17	18
129907-11110	4	12	129927-59550	16	16	129948-13800	6	11	171008-77750	17	29
129907-11120	4	13	129927-59810	15	47	129948-13810	6	13	171051-01921	1	5
129907-11250	4	31	129927-59820	15	48	129948-49610	12	49	171056-49120	10	24
129907-11260	4	32	129927-59830	15	49	129948-49620	12	53	172B02-17150	18	34
129907-11270	4	33	129927-59840	15	50	129949-12560	5	34			35
129907-11341	4	30	129927-75900	19	19	129951-01740	2	15	22190-080002	11	9
129907-11510	4	17	129927-77600	19	11	129953-25300	7	14			17
129907-11650	4	35			20	129953-34830	10	14			19
129907-11660	4	39	129927-77680	19	12	129953-35000	10	17			21
129907-11800	4	74			21	129957-59120	16	6			21
129907-11910	4	26	129927-77690	18	36	129960-03990	12	50	22190-120002	16	21
129907-11920	4	43	129927-77920	18	37			54		12	31
129907-11950	4	27			38			39		13	105
129907-12110	5	1	129928-11700	4	2	129960-21930	9	39			112
129907-14400	7	2	129928-12100	5	3	129960-21940	9	8 -1			135
129907-21660	9	9	129928-13100	6	2	129961-59110	16	11		14	28
129907-25900	7	15	129928-13150	6	1	129961-59310	16	8	22190-180002	13	106
129907-44560	12	68	129928-13400	6	7	129981-49050	12	70	22190-220002	3	9
129907-44600	12	62	129928-13410	6	8	129981-49062	12	71	22217-050000	13	136
129907-44610	12	63			9	129982-01710	3	6	22217-180000	13	113
129907-51560	13	58	129928-13710	5	4	129988-77330	18	31	22252-000300	9	23
129907-59140	16	13	129928-13720	5	5	129E00-13640	6	6	22312-050140	13	114
129908-14581	7	3	129928-13900	6	19	144626-51090	13	13	22351-030010	11	39
129908-21000	9	1	129928-18200	5	10	158552-51571	13	59	22351-050010	13	115
129908-32060	2	4	129928-22080	9	14	158552-51580	13	62	22351-060012	1	10
129908-33010	10	1	129928-49400	12	21	158552-51670	13	130	22512-070140	7	7
129908-33101	10	4	129928-49410	12	22	158552-51781	13	101		9	6
129908-39410	11	32	129928-49420	12	48	158552-52100	13	132	22857-500100	4	63
129908-39690	11	27	129928-49800	12	19	158552-52311	13	110			64
129908-49060	10	6	129928-49800	12	19	158552-52400	13	111			65
129915-01610	3	2	129928-51390	13	25	158552-52500	13	133	22877-500080	19	14
129916-01800	2	23	129928-51900	13	11	158553-51670	13	67			23
129916-21610	9	7	129928-79700	12	57	158553-51680	13	79	23000-025000	10	11
129916-44740	12	16	129933-11310	4	59	158553-51930	13	104		11	29
129916-49530	12	25	129933-12500	5	29		14	2	23000-054000	5	13
129920-21580	9	11	129935-01500	2	3	158553-61780	14	27	23000-060000	12	72
129927-13810	6	12	129935-12520	5	30	158557-51570	13	60	23000-070000	5	14 -1
129927-13910	6	20	129935-39040	11	2	158557-61720	14	16			35
129927-13920	6	21	129935-39610	11	24	158563-51150	7	17	23000-080000	5	14
129927-22050	9	16	129940-44500	12	59	158563-51281	13	23	23000-102000	5	36
129927-39060	11	12	129945-03040	5	21			24	23080-012000	12	43
			129945-03050	5	22	158563-51330	13	35			47

Parts No. Index

Parts No.	Fig. No.	Ref. No.
23414-080000	12	35
23414-100000	11	10
23857-030000	11	18
23875-030000	12	23
		32
23876-020000	4	8
23876-030000	1	11
		12
		13
		29
	4	9
24311-000070	2	9
	13	116
24311-000120	4	28
		68
24311-000160	16	33
24311-000320	2	20
	4	69
24321-000600	10	12
24321-000750	16	34
24341-000480	14	22
24351-030750	2	10
24356-190200	13	70
		117
24356-240210	13	118
24372-000150	13	71
25132-004100	12	15
26014-060122	12	64
26014-080252	18	33
26014-080352	12	18
26106-060102	13	119
26106-060122	4	66
	13	137
26106-060162	11	30
	14	23
26106-060202	5	6
	12	33
26106-060252	14	29
26106-060302	12	12
26106-060352	13	120
26106-080122	3	10
	10	22
	11	11
		20
		22
		31
	12	36
		58
26106-080142	7	8
26106-080162	2	11

Parts No.	Fig. No.	Ref. No.
26106-080162	2	26
	4	72
	10	23
26106-080202	2	12
		16
	4	73
	13	142
26106-080252	14	24
26106-080302	13	143
	16	3
26106-080352	6	14
26106-080402	2	27
	4	45
	5	19
26106-080452	2	13
		17
	5	8
	6	15
26106-080552	6	16
	7	13
	12	13
26106-080602	4	46
		47
	12	37
26106-080702	2	28
26106-080752	2	18
26106-080802	5	9
26106-080902	5	20
26106-100252	6	17
26106-100402	6	22
26106-101052	6	23
26106-120252	17	30
26206-100352	3	4
26216-060202	5	7
26216-100302	2	5
26226-080222	4	44
26306-080002	4	48
	6	18
	8	4
26306-100002	2	14
	18	30
26366-060002	15	51
26450-100452	13	121
26716-050002	13	138
26776-180002	13	122
27241-160000	13	139
27241-300000	1	14
27241-400000	4	10
27310-070001	4	22
720445-44200	12	65

Parts No.	Fig. No.	Ref. No.
729900-02801	1	30
729907-01559	2	21
729927-22950	9	35
729928-01560	1	1
729928-22900	9	33
729928-53200	15	1
729945-51390	13	1
X2114955020	17	16
X2130631300	17	11
X9490561001	18	3

Parts No.	Fig. No.	Ref. No.
-----------	----------	----------