

0CD11-M14301EN

P R E F A C E

1. This parts catalog is the 2nd edition of 4TNV98T-ZXWTB, 4TNV98T-ZXWTB2 for TAKEUCHI.

Pub.No. : 0CD11-G14301

Published : November, 2011

2. Model name

Engine model	Vehicle	Vehicle made by
4TNV98T-ZXWTB 4TNV98T-ZXWTB2	EXCAVATOR	TAKEUCHI

Contents

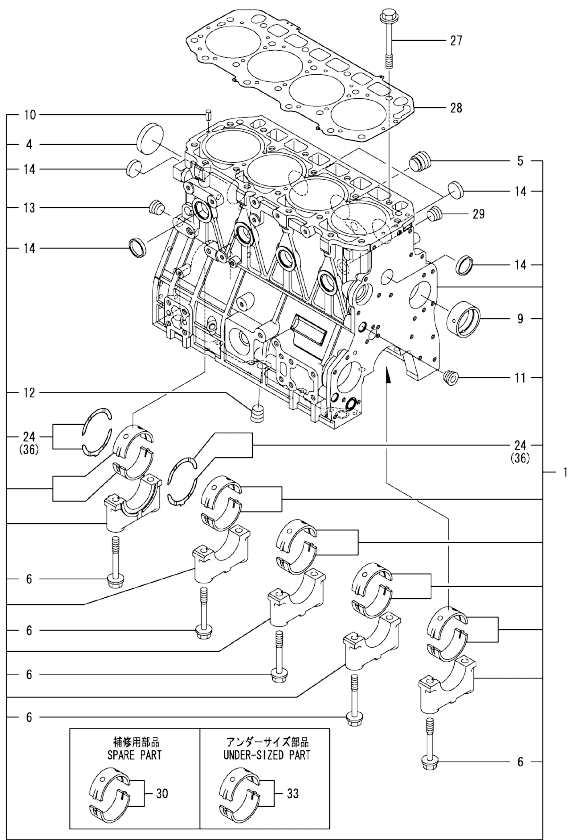
OCD11-M14301

Fig. No.	Fig. Name	Fig. No.	Fig. Name
4	TNV98T-ZXWTB,ZXWTB2		
1.	CYLINDER BLOCK		
2.	GEAR HOUSING		
3.	FLYWHEEL HOUSING & OIL SUMP		
4.	CYLINDER HEAD & BONNET		
21.	CYLINDER HEAD & BONNET		
5.	SUCTION MANIFOLD		
6.	EXHAUST MANIFOLD & SILENCER		
7.	CAMSHAFT & DRIVING GEAR		
8.	TURBINE		
9.	CRANKSHAFT & PISTON		
10.	LUB. OIL SYSTEM		
11.	LUB. OIL LINE		
12.	COOLING WATER SYSTEM		
13.	FUEL INJECTION PUMP		
14.	GOVERNOR		
15.	FUEL INJECTION VALVE		
16.	FUEL PIPE		
17.	STARTING MOTOR		
18.	GENERATOR		
19.	ELECTRONIC CONTROL UNIT (ECU)		
20.	GASKET SET		

Fig.1. CYLINDER BLOCK

(A)=4TNV98T-ZXWTB
 (B)=4TNV98T-ZXWTB2
 (C)=

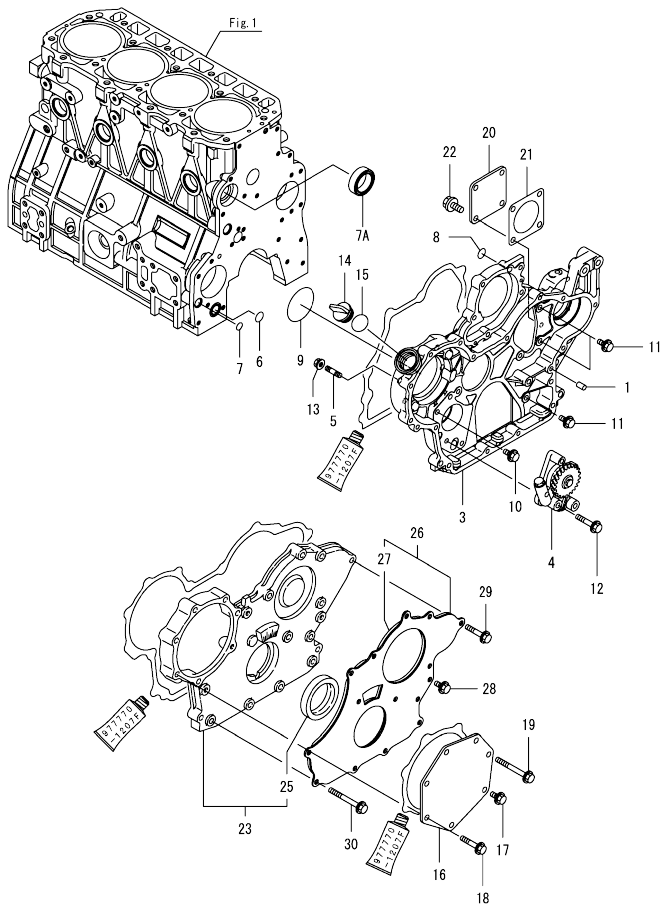
(D)=
 (E)=
 (F)=



No.	Lev.	Parts No.	Description	Q'ty						I	R
				(A)	(B)	(C)	(D)	(E)	(F)		
1	1	729928-01560	BLOCK ASSY, CYLINDER	1	1						
4	2	129900-01250	PLUG, DISH TYPE 55	1	1						
5	2	171051-01921	PLUG, NPTF1	1	1						
6	2	129900-02020	BOLT, METAL CAP	10	10						
9	2	129900-02410	BUSH, CAMSHAFT	1	1						
10	2	22351-060012	PIN, SPRING 6.0X12	2	2						
11	2	23876-030000	PLUG, R03	1	1						
12	2	23876-030000	PLUG, R03	1	1						
13	2	23876-030000	PLUG, R03	1	1						
14	2	27241-300000	PLUG 30	8	8						
24	2	129900-02931	BEARING ASSY, THRUST	2	2						
27	1	129900-01200	BOLT, CYLINDER HEAD	18	18						
28	1	129907-01331	GASKET, HEAD	1	1						
29	1	23876-030000	PLUG, R03	1	1						
30	1	729900-02801	BEARING, MAIN	5	5						1
33	1	129900-02341	BEARING ASSY, MAIN	5	5						2
36	1	129900-02941	BEARING, THRUST 0.25	2	2						3

Remarks
 (1)Spare parts.
 (2)Under-sized(U.S.=0.25)part.
 (3)Over-sized(O.S.=0.25)part.

Fig.2. GEAR HOUSING



No.	Lev.	Parts No.	Description	Q'ty						I	R
				(A)	(B)	(C)	(D)	(E)	(F)		
1	1	129100-01580	PIN, PARALLEL 8X16	4	4						
3	1	129908-01500	CASE, GEAR	1	1						
4	1	129908-32060	PUMP ASSY, OIL	1	1						
5	1	26216-100302	STUD, M10X 30	4	4						
6	1	129900-32030	O-RING, P20	1	1						
7	1	129900-32040	O-RING, P14	1	1						
7A	1	129927-42140	GASKET, PUMP OUTLET	1	1						W
		(A=E137177)	(B=ET9631)								
8	1	24311-000070	O-RING, 1AP7.0	1	1						
9	1	24351-030750	O-RING, 1A3075	1	1						
10	1	26106-080162	BOLT, M8X 16 PLATED	1	1						
11	1	26106-080202	BOLT, M8X 20 PLATED	3	3						
12	1	26106-080452	BOLT, M8X 45 PLATED	3	3						
13	1	26306-100002	NUT, M10	4	4						
14	1	124160-01751	CAP. FILLER	1	1						
15	1	24311-000320	O-RING, 1AP32.0	1	1						
16	1	129951-01740	COVER	1	1						
17	1	26106-080202	BOLT, M8X 20 PLATED	1	1						
18	1	26106-080452	BOLT, M8X 45 PLATED	5	5						
19	1	26106-080752	BOLT, M8X 75 PLATED	1	1						
20	1	124240-01871	COVER, PUMP	1	1						
21	1	124240-01883	GASKET	1	1						
22	1	26106-080162	BOLT, M8X 16 PLATED	4	4						
23	1	729907-01559	COVER ASSY,GEAR CASE	1	1						
25	2	129916-01800	SEAL, OIL	1	1						
26	1	129900-01850	COVER ASSY,GEAR CASE	1	1						
27	2	129900-01870	SPONGE, GEAR CASE	1	1						
28	1	26106-080162	BOLT, M8X 16 PLATED	3	3						
29	1	26106-080402	BOLT, M8X 40 PLATED	5	5						
30	1	26106-080702	BOLT, M8X 70 PLATED	6	6						

N:Old $\frac{100}{100}$ New, Q:Old $\frac{100}{100}$ New, R:Old $\frac{100}{100}$ New, S:Old $\frac{100}{100}$ New, W:Add, Z:Discontinued, F:Interchangeable by set, K:Q'ty Change
 Copyright (C) YANMAR GLOBAL CS CO., LTD. All Rights Reserved.

Fig.3. FLYWHEEL HOUSING & OIL SUMP

(A)=4TNV98T-ZXWTB
 (B)=4TNV98T-ZXWTB2
 (C)=

(D)=
 (E)=
 (F)=

No.	Lev.	Parts No.	Description	Q'ty						I	R
				(A)	(B)	(C)	(D)	(E)	(F)		
1	1	129100-01580	PIN, PARALLEL 8X16	2	2						
2	1	129951-01620	HOUSING, FLYWHEEL	1	1						
4	1	119000-01840	PLUG, RUBBER	1	1						
5	1	26206-100352	BOLT, M10X 35 PLATED	9	9						
6	1	129916-01790	SEAL, D115/95XT11	1	1						
7	1	129928-01710	OIL PAN ASSY	1							
8	2	119640-01640	PLUG, DRAIN M22	1							
10	2	22190-220002	WASHER, SEAL 22	1							
11	1	26106-080122	BOLT, M8X 12 PLATED	16	16						
12	1	129902-01710	OIL PAN ASSY	1							
13	2	119640-01640	PLUG, DRAIN M22	1							
15	2	22190-220002	WASHER, SEAL 22	1							

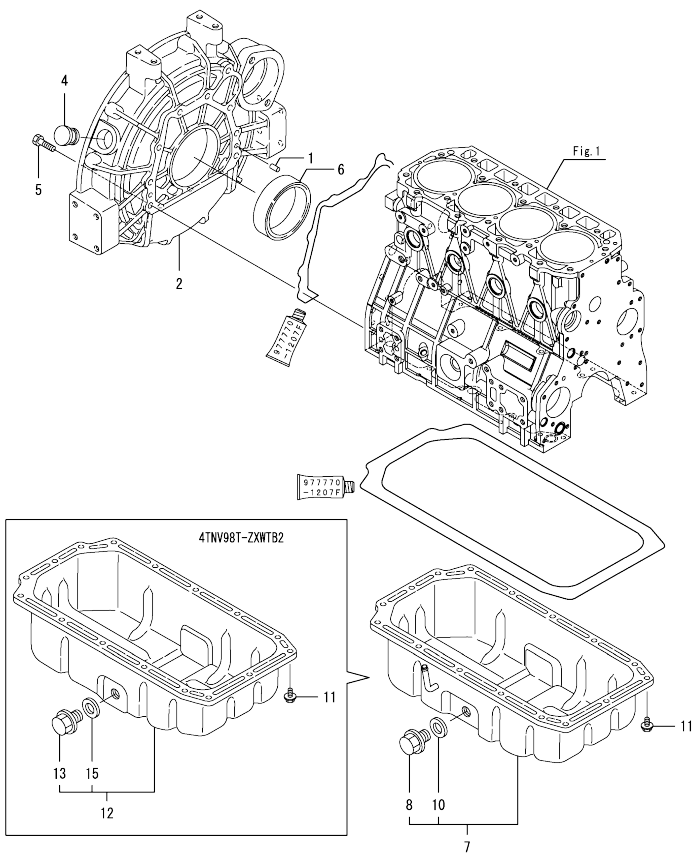
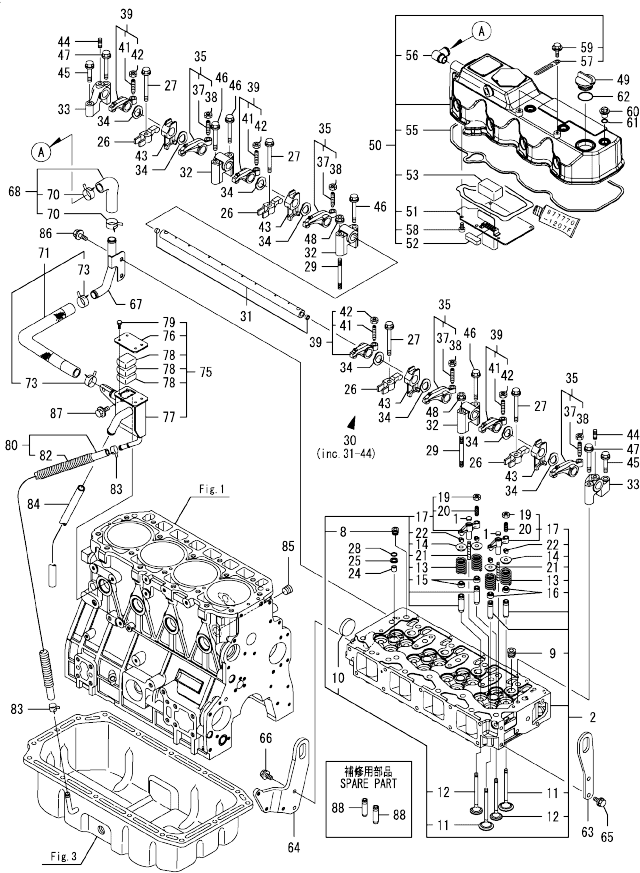


Fig.4. CYLINDER HEAD & BONNET



(A)=4TNV98T-ZXWTB
(B)=4TNV98T-ZXWTB2
(C)=

(D)=
(E)=
(F)=

No.	Lev.	Parts No.	Description	Q'ty						I	R
				(A)	(B)	(C)	(D)	(E)	(F)		
1	1	123907-11550	SEAT, VALVE BRIDGE	8							
2	1	129928-11700	HEAD ASSY, CYLINDER	1							
8	2	23876-020000	PLUG, R02	1							
9	2	23876-030000	PLUG, R03	4							
10	2	27241-400000	PLUG, 40	1							
11	2	129907-11100	VALVE, SUCTION	8							
12	2	129907-11110	VALVE, EXHAUST	8							
13	2	129907-11120	SPRING, VALVE	16							
14	2	119620-11180	RETAINER, SPRING	16							
15	2	119803-11340	SEAL, VALVE STEM	8							
16	2	124160-11340	SEAL, VALVE STEM	8							
17	2	129907-11510	BRIDGE ASSY, VALVE	8							
19	3	129150-11750	NUT, M8	8							
20	3	123907-11830	ADJUSTER	8							
21	2	123907-11820	GUIDE, BRIDGE	8							
22	2	27310-070001	COTTER, 7	16							
24	1	119802-11870	PROTECTOR, NOZZLE	4							
25	1	119625-11880	SEAT, NOZZLE	4							
26	1	129907-11910	RETAINER, NOZZLE	4							
27	1	129907-11950	BOLT, M8X75	4							
28	1	24311-000120	O-RING, 1AP12.0	4							
29	1	119593-11301	BOLT, STUD M8X80	2							
30	1	129907-11341	SHAFT ASSY, ROCKER	1							
31	2	129907-11250	SHAFT, ROCKER ARM	1							
32	2	129907-11260	SUPPORT, ROCKER ARM	3							
33	2	129907-11270	SUPPORT, ROCKER ARM	2							
34	2	123907-11280	WASHER	8							
35	2	129907-11650	ARM ASSY, ROCKER	4							
37	3	129150-11230	SCREW, VALVE ADJUST	4							
38	3	129150-11750	NUT, M8	4							
39	2	129907-11660	ARM ASSY, ROCKER	4							
41	3	129150-11230	SCREW, VALVE ADJUST	4							
42	3	129150-11750	NUT, M8	4							
43	2	129907-11920	RETAINER, NOZZLE	4							
44	2	26226-080222	STUD, M8X 22	2							
45	1	26106-080402	BOLT, M8X 40 PLATED	2							
46	1	26106-080602	BOLT, M8X 60 PLATED	4							
47	1	26106-080602	BOLT, M8X 60 PLATED	2							
48	1	26306-080002	NUT, M8	2							
49	1	124160-01751	CAP, FILLER	1							
50	1	129928-11320	BONNET ASSY, HEAD	1							
51	2	129907-03011	PLATE, BAFFLE	1							
52	2	129907-03061	BAFFLE, BREATHER	1							
53	2	129907-03070	BAFFLE, BREATHER	1							
55	2	129933-11310	GASKET, BONNET	1							
56	2	119100-11330	ELBOW, BREATHER	1							
57	2	129509-79700	CLAMP, 140-M6	2							
58	2	22857-500100	SCREW, 5X10	6							
59	2	26106-060122	BOLT, M6X 12 PLATED	2							
60	1	124160-11360	KNOB	4							
61	1	24311-000120	O-RING, 1AP12.0	4							

Remarks
(1) Spare parts.

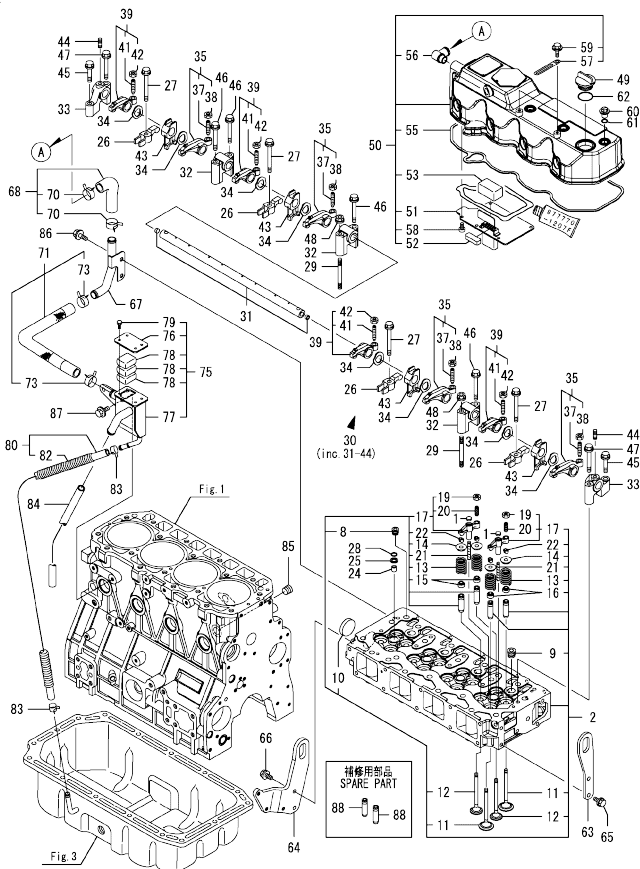
N:Old $\frac{New}{Old}$ New, Q:Old $\frac{New}{Old}$ New, R:Old $\frac{New}{Old}$ New, S:Old $\frac{New}{Old}$ New, W:Add, Z:Discontinued, F:Interchangeable by set, K:Q'ty Change
++ CONTINUE ++
Copyright (C) YANMAR GLOBAL CS CO., LTD. All Rights Reserved.

Fig.4. CYLINDER HEAD & BONNET

(A)=4TNV98T-ZXWTB
 (B)=4TNV98T-ZXWTB2
 (C)=

(D)=
 (E)=
 (F)=

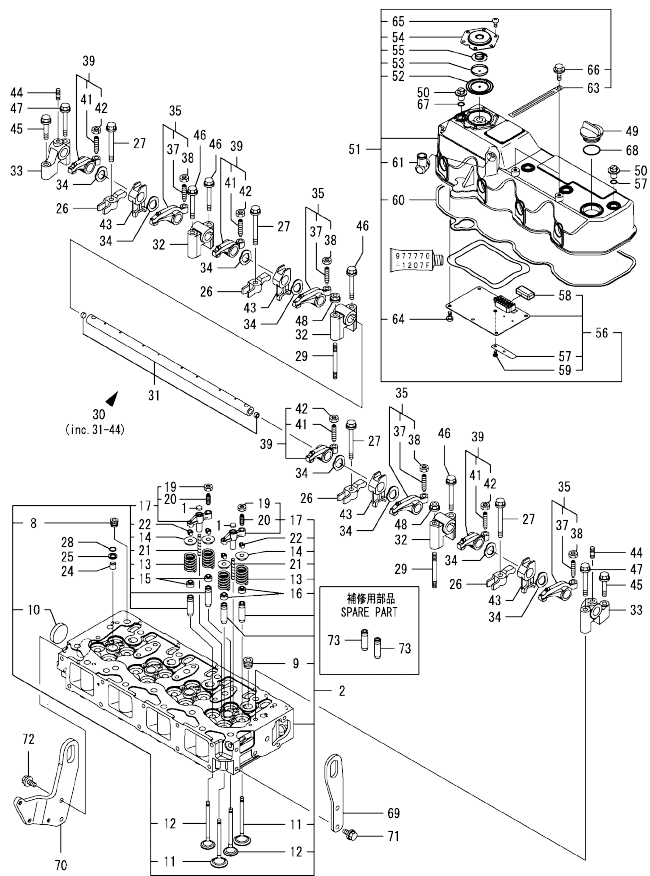
No.	Lev.	Parts No.	Description	Q'ty						I	R
				(A)	(B)	(C)	(D)	(E)	(F)		
62	1	24311-000320	O-RING, 1AP32.0	1							
63	1	129907-07900	LIFTER, ENGINE	1							
64	1	129928-07900	LIFTER, ENGINE	1							
65	1	26106-080162	BOLT, M8X 16 PLATED	2							
66	1	26106-080202	BOLT, M8X 20 PLATED	2							
67	1	129928-03050	PIPE, BREATHER	1							
68	1	129928-03060	HOSE ASSY, BREATHER	1							
70	2	129410-03990	CLAMP, HOSE 21.5	2							
71	1	129928-03080	HOSE ASSY, BREATHER	1							
73	2	129410-03990	CLAMP, HOSE 21.5	2							
75	1	129972-03240	SEPARATOR ASSY, MIST	1							
76	2	129972-03220	COVER, SEPARATOR	1							
77	2	129972-03230	SEPARATOR, MIST	1							
78	2	123901-03240	FILTER	3							
79	2	26116-050102	BOLT, M5X 10 PLATED	4							
80	1	129928-03300	HOSE ASSY RETURN	1							
82	2	129928-59130	TUBE, CORRUGATED 19	1							
83	1	23000-019000	CLAMP, 19	2							
84	1	23065-160600	PIPE, 16X 600	1							
85	1	23876-030000	PLUG, R03	1							
86	1	26106-080122	BOLT, M8X 12 PLATED	2							
87	1	26106-080142	BOLT, M8X 14 PLATED	2							
88	1	129907-11800	GUIDE, VALVE	16							1



Remarks
 (1) Spare parts.

N:Old $\frac{New}{Old}$ New, Q:Old $\frac{New}{Old}$ New, R:Old $\frac{New}{Old}$ New, S:Old $\frac{New}{Old}$ New, W:Add, Z:Discontinued, F:Interchangeable by set, K:Q'ty Change
 Copyright (C) YANMAR GLOBAL CS CO., LTD. All Rights Reserved.

Fig.21. CYLINDER HEAD & BONNET



(A)=4TNV98T-ZXWTB
(B)=4TNV98T-ZXWTB2
(C)=

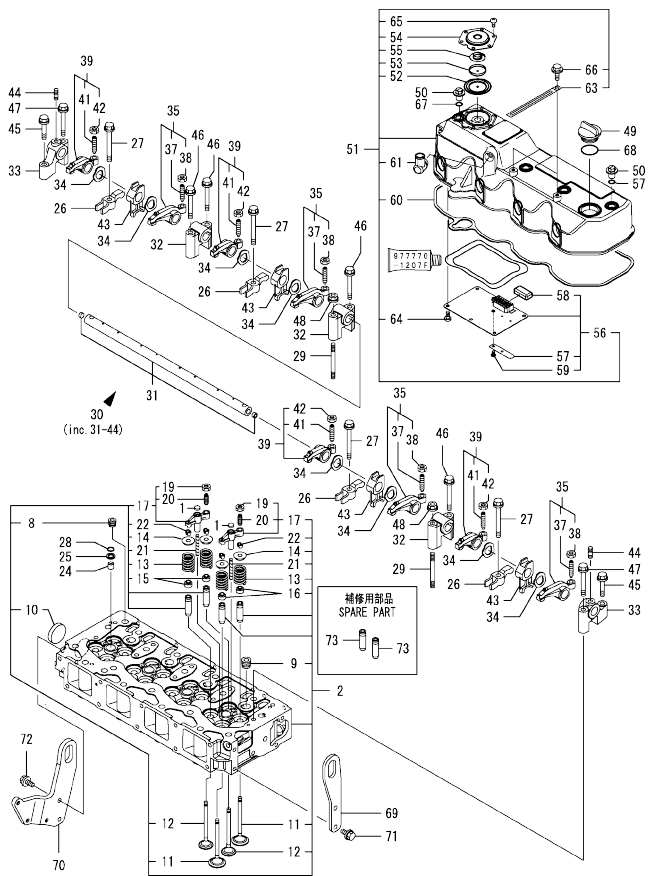
(D)=
(E)=
(F)=

No.	Lev.	Parts No.	Description	Q'ty						I	R
				(A)	(B)	(C)	(D)	(E)	(F)		
1	1	123907-11550	SEAT, VALVE BRIDGE		8						
2	1	129928-11700	HEAD ASSY, CYLINDER		1						
8	2	23876-020000	PLUG, R02		1						
9	2	23876-030000	PLUG, R03		4						
10	2	27241-400000	PLUG, 40		1						
11	2	129907-11100	VALVE, SUCTION		8						
12	2	129907-11110	VALVE, EXHAUST		8						
13	2	129907-11120	SPRING, VALVE		16						
14	2	119620-11180	RETAINER, SPRING		16						
15	2	119803-11340	SEAL, VALVE STEM		8						
16	2	124160-11340	SEAL, VALVE STEM		8						
17	2	129907-11510	BRIDGE ASSY, VALVE		8						
19	3	129150-11750	NUT, M8		8						
20	3	123907-11830	ADJUSTER		8						
21	2	123907-11820	GUIDE, BRIDGE		8						
22	2	27310-070001	COTTER, 7		16						
24	1	119802-11870	PROTECTOR, NOZZLE		4						
25	1	119625-11880	SEAT, NOZZLE		4						
26	1	129907-11910	RETAINER, NOZZLE		4						
27	1	129907-11950	BOLT, M8X75		4						
28	1	24311-000120	O-RING, 1AP12.0		4						
29	1	119593-11301	BOLT, STUD M8X80		2						
30	1	129907-11341	SHAFT ASSY, ROCKER		1						
31	2	129907-11250	SHAFT, ROCKER ARM		1						
32	2	129907-11260	SUPPORT, ROCKER ARM		3						
33	2	129907-11270	SUPPORT, ROCKER ARM		2						
34	2	123907-11280	WASHER		8						
35	2	129907-11650	ARM ASSY, ROCKER		4						
37	3	129150-11230	SCREW, VALVE ADJUST		4						
38	3	129150-11750	NUT, M8		4						
39	2	129907-11660	ARM ASSY, ROCKER		4						
41	3	129150-11230	SCREW, VALVE ADJUST		4						
42	3	129150-11750	NUT, M8		4						
43	2	129907-11920	RETAINER, NOZZLE		4						
44	2	26226-080222	STUD, M8X 22		2						
45	1	26106-080402	BOLT, M8X 40 PLATED		2						
46	1	26106-080602	BOLT, M8X 60 PLATED		4						
47	1	26106-080602	BOLT, M8X 60 PLATED		2						
48	1	26306-080002	NUT, M8		2						
49	1	124160-01751	CAP, FILLER		1						
50	1	124160-11360	KNOB		4						
51	1	129949-11400	BONNET ASSY		1						
52	2	123907-03100	DIAPHRAGM		1						
53	2	123907-03110	PLATE		1						
54	2	123907-03120	PLATE, BREATHER		1						
55	2	123907-03140	SPRING, DIAPHRAGM		1						
56	2	129949-03170	PLATE, BAFFLE		1						
57	3	129978-03030	SPRING, PLATE		1						
58	3	129949-03140	BAFFLE		1						
59	3	26557-050082	SCREW, M5X 8		1						
60	2	129933-11310	GASKET, BONNET		1						

Remarks
(1) Spare parts.

N:Old $\frac{New}{Old}$ New, Q:Old $\frac{New}{Old}$ New, R:Old $\frac{New}{Old}$ New, S:Old $\frac{New}{Old}$ New, W:Add, Z:Discontinued, F:Interchangeable by set, K:Q'ty Change
++ CONTINUE ++
Copyright (C) YANMAR GLOBAL CS CO., LTD. All Rights Reserved.

Fig.21. CYLINDER HEAD & BONNET



(A)=4TNV98T-ZXWTB
(B)=4TNV98T-ZXWTB2
(C)=

(D)=
(E)=
(F)=

No.	Lev.	Parts No.	Description	Q'ty						I	R		
				(A)	(B)	(C)	(D)	(E)	(F)				
61	2	119100-11330	ELBOW, BREATHER										
63	2	129509-79700	CLAMP, 140-M6										
64	2	22857-500100	SCREW, 5X10										
65	2	22857-500100	SCREW, 5X10										
66	2	26106-060122	BOLT, M6X 12 PLATED										
67	1	24311-000120	O-RING, 1AP12.0										
68	1	24311-000320	O-RING, 1AP32.0										
69	1	129907-07900	LIFTER, ENGINE										
70	1	129928-07900	LIFTER, ENGINE										
71	1	26106-080162	BOLT, M8X 16 PLATED										
72	1	26106-080202	BOLT, M8X 20 PLATED										
73	1	129907-11800	GUIDE, VALVE			16							1

Remarks

(1) Spare parts.

Fig.5. SUCTION MANIFOLD

(A)=4TNV98T-ZXWTB
 (B)=4TNV98T-ZXWTB2
 (C)=

(D)=
 (E)=
 (F)=

No.	Lev.	Parts No.	Description	Q'ty						I	R
				(A)	(B)	(C)	(D)	(E)	(F)		
1	1	129907-12110	GASKET, MANIFOLD	1	1						
2	1	129928-12150	MANIFOLD ASSY,INTAKE	1	1						
3	2	129928-12100	MANIFOLD, AIR INTAKE	1	1						
4	2	129928-13700	VALVE, LEAD	1	1						
5	2	129928-13710	SPACER, EGR VALVE	1	1						
6	2	129928-13720	GASKET	1	1						
7	2	26106-060202	BOLT, M6X 20 PLATED	3	3						
8	2	26106-060202	BOLT, M6X 20 PLATED	2	2						
9	2	26216-060202	STUD, M6X 20	2	2						
10	1	26106-080452	BOLT, M8X 45 PLATED	6	6						
11	1	26106-080802	BOLT, M8X 80 PLATED	4	4						
12	1	129949-18200	DUCT, AIR	1	1						
13	1	129949-18210	JOINT, RUBBER	1							
14	1	123951-18220	JOINT, RUBBER	1							
15	1	23000-054000	CLAMP, 54	3	3						
16	1	23000-070000	CLAMP, 70	1	1						
17	1	119129-77020	GASKET	1	1						
18	1	121850-77021	GASKET, AIR HEATER	1	1						
19	1	119005-77051	HEATER, AIR	1	1						
20	1	119129-77520	BEND	1	1						
21	1	26106-080402	BOLT, M8X 40 PLATED	2	2						
22	1	26106-080902	BOLT, M8X 90 PLATED	2	2						
23	1	129945-18210	JOINT, RUBBER	1							
24	1	129945-18220	JOINT, RUBBER	1							
25	1	129509-03150	JOINT	1							

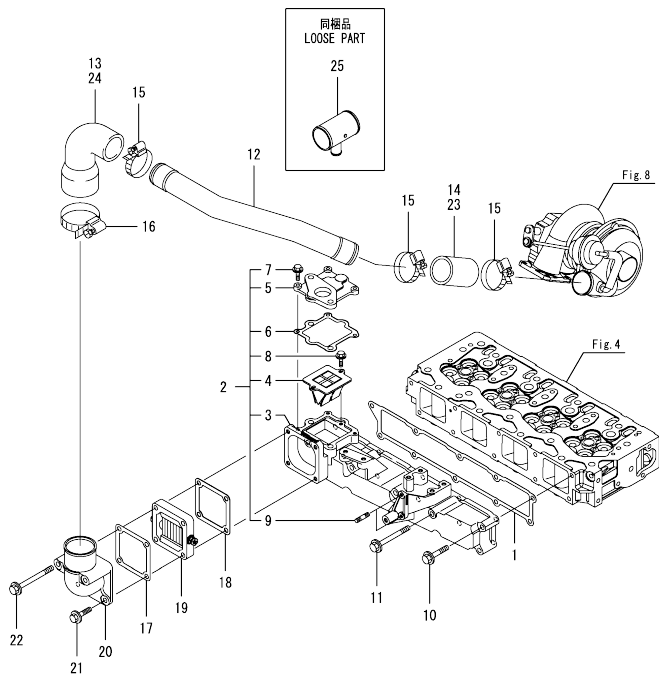
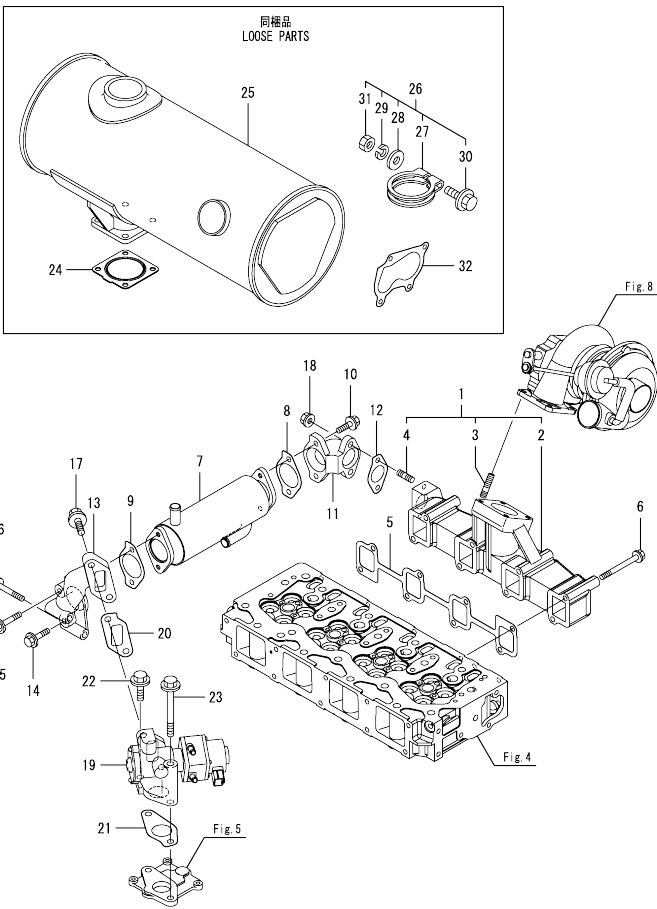


Fig.6. EXHAUST MANIFOLD & SILENCER

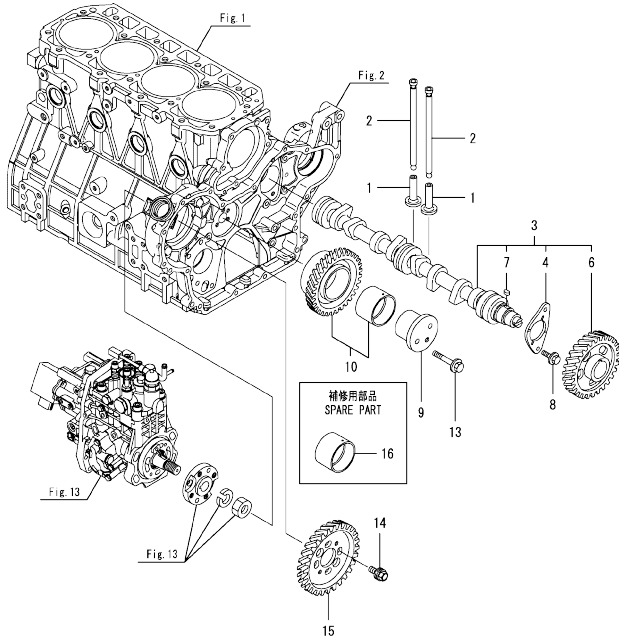
(A)=4TNV98T-ZXWTB
(B)=4TNV98T-ZXWTB2
(C)=

(D)=
(E)=
(F)=



No.	Lev.	Parts No.	Description	Q'ty					
				(A)	(B)	(C)	(D)	(E)	(F)
1	1	129948-13150	MANIFOLD ASSY, EXH.	1	1				
2	2	129948-13100	MANIFOLD, EXHAUST	1	1				
3	2	119131-18320	BOLT, STUD M8X22	4	4				
4	2	129418-18320	BOLT, STUD M8X20	2	2				
5	1	129900-13251	GASKET, EXH.MANIFOLD	1	1				
6	1	123900-13630	BOLT, M8X80	8	8				
7	1	129928-13400	COOLER ASSY, EGR	1	1				
8	1	129928-13410	GASKET	1	1				
9	1	129928-13410	GASKET	1	1				
10	1	119802-13790	BOLT, M8X25 10.9T	2	2				
11	1	129928-13800	PIPE, EGR IN	1	1				
12	1	129927-13810	GASKET	1	1				
13	1	129928-13810	PIPE, EGR OUT	1	1				
14	1	26106-080352	BOLT, M8X 35 PLATED	1	1				
15	1	26106-080452	BOLT, M8X 45 PLATED	1	1				
16	1	26106-080552	BOLT, M8X 55 PLATED	2	2				
17	1	26106-100252	BOLT, M10X 25 PLATED	2	2				
18	1	26306-080002	NUT, M8	2	2				
19	1	129928-13900	VALVE, EGR	1	1				
20	1	129927-13910	GASKET, EGR	1	1				
21	1	129927-13920	GASKET, EGR	1	1				
22	1	26106-100402	BOLT, M10X 40 PLATED	1	1				
23	1	26106-101052	BOLT, M10X105 PLATED	1	1				
24	1	129930-13201	GASKET, SILENCER	1	1				
25	1	129940-13500	SILENCER	1	1				
26	1	129640-13590	CLAMP ASSY	1	1				
27	2	129640-13580	CLAMP	1	1				
28	2	22117-100000	WASHER, 10	1	1				
29	2	22217-100000	WASHER, SPRING 10	1	1				
30	2	26106-100652	BOLT, M10X 65 PLATED	1	1				
31	2	26706-100002	NUT, M10	1	1				
32	1	123901-18080	GASKET	1	1				

Fig.7. CAMSHAFT & DRIVING GEAR



(A)=4TNV98T-ZXWTB
(B)=4TNV98T-ZXWTB2
(C)=

(D)=
(E)=
(F)=

No.	Lev.	Parts No.	Description	Q'ty						I	R	
				(A)	(B)	(C)	(D)	(E)	(F)			
1	1	129150-14200	TAPPET		8	8						
2	1	129907-14400	PUSH-ROD		8	8						
3	1	129908-14581	CAMSHAFT ASSY		1	1						
4	2	129150-02450	BEARING, THRUST		1	1						
6	2	129900-14100	GEAR, CAMSHAFT		1	1						
7	2	22512-070140	KEY, 7X 14		1	1						
8	1	26106-080162	BOLT, M8X 16 PLATED		2	2						
9	1	123900-25060	SHAFT, IDLE GEAR		1	1						
10	1	129900-25100	GEAR ASSY, IDLE		1	1						
13	1	26106-080552	BOLT, M8X 55 PLATED		3	3						
14	1	129953-25300	BOLT		4	4						
15	1	129907-25900	GEAR, PUMP		1	1						
16	1	129150-25920	BUSH, IDLE GEAR		1	1						1

Remarks

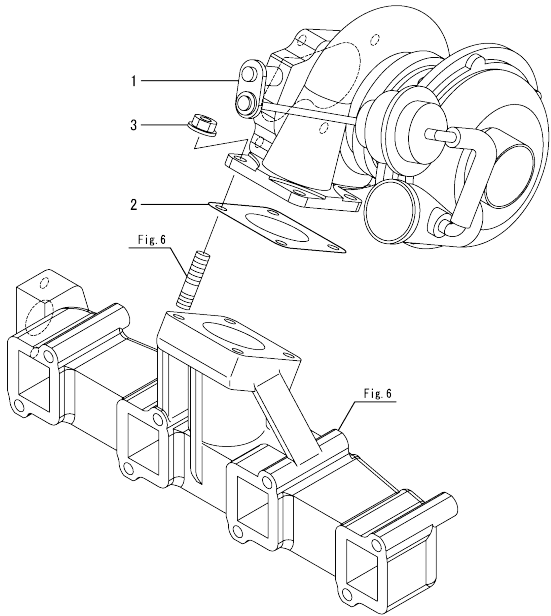
(1)Spare parts.

Fig.8. TURBINE

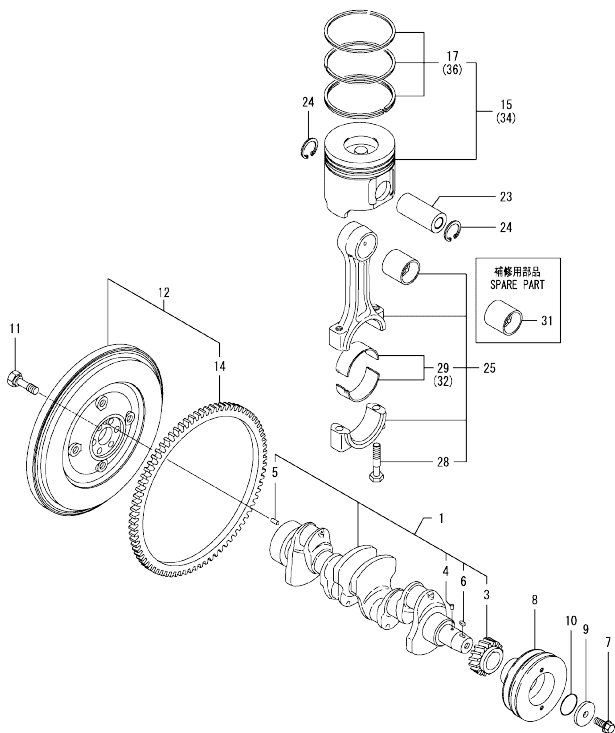
(A)=4TNV98T-ZXWTB
(B)=4TNV98T-ZXWTB2
(C)=

(D)=
(E)=
(F)=

No.	Lev.	Parts No.	Description	Q'ty						
				(A)	(B)	(C)	(D)	(E)	(F)	
1	1	129948-18010	TURBOCHARGER, RHF5	1	1					
2	1	129472-18090	GASKET	1	1					
3	1	26306-080002	NUT, M8	4	4					



OCD11-M14301 4TNV98T-ZXWTB,ZXWTB2
 Fig.9. CRANKSHAFT & PISTON



OCD11-M14301 Fig.9

(A)=4TNV98T-ZXWTB
 (B)=4TNV98T-ZXWTB2
 (C)=

(D)=
 (E)=
 (F)=

No.	Lev.	Parts No.	Description	Q'ty						I	R
				(A)	(B)	(C)	(D)	(E)	(F)		
1	1	129908-21000	CRANKSHAFT ASSY	1	1						
3	2	129900-21200	GEAR, CRANKSHAFT	1	1						
4	2	121850-21290	PIN	1	1						
5	2	121850-21920	PIN, PARALLEL 10X22	1	1						
6	2	22512-070140	KEY, 7X 14	1	1						
7	1	129916-21610	BOLT	1	1						
8	1	129948-21610	V-PULLEY, CRANKSHAFT	1	1						
9	1	129960-21640	WASHER	1	1						
10	1	24341-000530	O-RING, 1AS53.0	1	1						
11	1	121850-21130	BOLT, FLYWHEEL	6	6						
12	1	129948-21590	FLYWHEEL ASSY	1	1						
14	2	127410-21480	GEAR, RING Z=129	1	1						
15	1	129928-22080	PISTON ASSY	4	4						
17	2	129927-22050	RING SET, PISTON	4	4						
23	1	120130-22301	PIN, PISTON	4	4						
24	1	22252-000300	RING, 30	8	8						
25	1	129900-23001	ROD ASSY, CONNECTING	4	4						
28	2	129900-23200	BOLT, CONNECTING ROD	8	8						
29	2	129900-23601	BEARING, CRANK PIN	4	4						
31	1	129900-23911	BEARING, PISTON PIN	4	4						1
32	1	129900-23611	BEARING ASSY, 0.25US	4	4						2
34	1	729928-22900	PISTON ASSY, 0.25 OS	4	4						3
36	2	729927-22950	RING SET, 0.25 OS	4	4						3

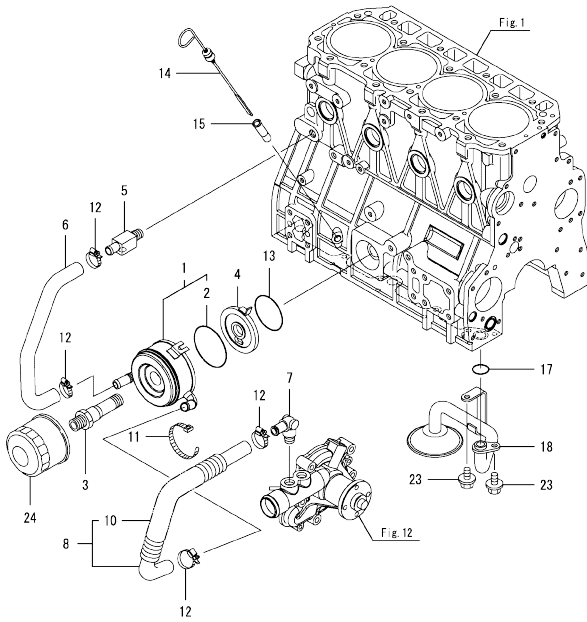
Remarks
 (1)Spare parts.
 (2)Under-sized(U.S.=0.25)part.
 (3)Over-sized(O.S.=0.25)part.

Fig.10. LUB. OIL SYSTEM

(A)=4TNV98T-ZXWTB
 (B)=4TNV98T-ZXWTB2
 (C)=

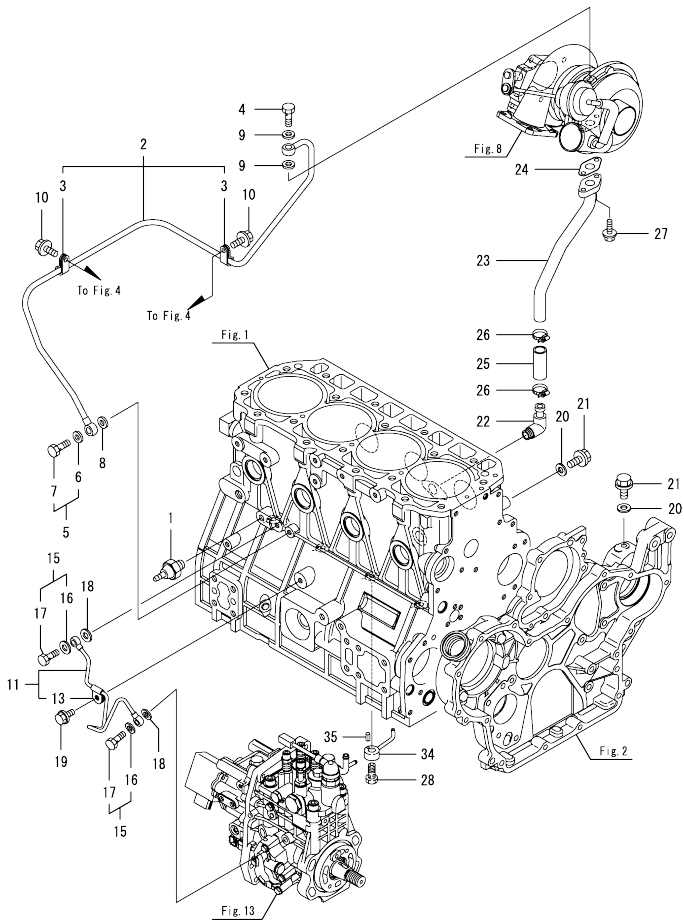
(D)=
 (E)=
 (F)=

No.	Lev.	Parts No.	Description	Q'ty						I	R
				(A)	(B)	(C)	(D)	(E)	(F)		
1	1	129908-33010	COOLER ASSY, OIL	1	1						
2	2	123912-33050	O-RING	1	1						
3	1	123912-33100	BOLT, COOLER	1	1						
4	1	129908-33101	BRACKET, OIL COOLER	1	1						
5	1	129006-44480	JOINT	1	1						
6	1	129908-49060	HOSE, WATER	1	1						
7	1	129466-49300	ELBOW, PT3/8	1	1						
8	1	123910-49600	HOSE ASSY WATER	1	1						
10	2	123910-49610	TUBE, CORRUGATED	1	1						
11	1	121750-59890	BAND, NYLON	1	1						
12	1	23000-025000	CLAMP, 25	4	4						
13	1	24321-000600	O-RING, 1AG60.0	1	1						
14	1	129900-34800	DIPSTICK	1	1						
15	1	121520-34810	GUIDE, DIPSTICK	1	1						
17	1	129900-32030	O-RING, P20	1	1						
18	1	129900-35000	PIPE ASSY, OIL INLET	1	1						
23	1	26106-080122	BOLT, M8X 12 PLATED	2	2						
24	1	129150-35153	FILTER ASSY, D80X80L	1	1						1



Remarks
 (1)Spare parts.

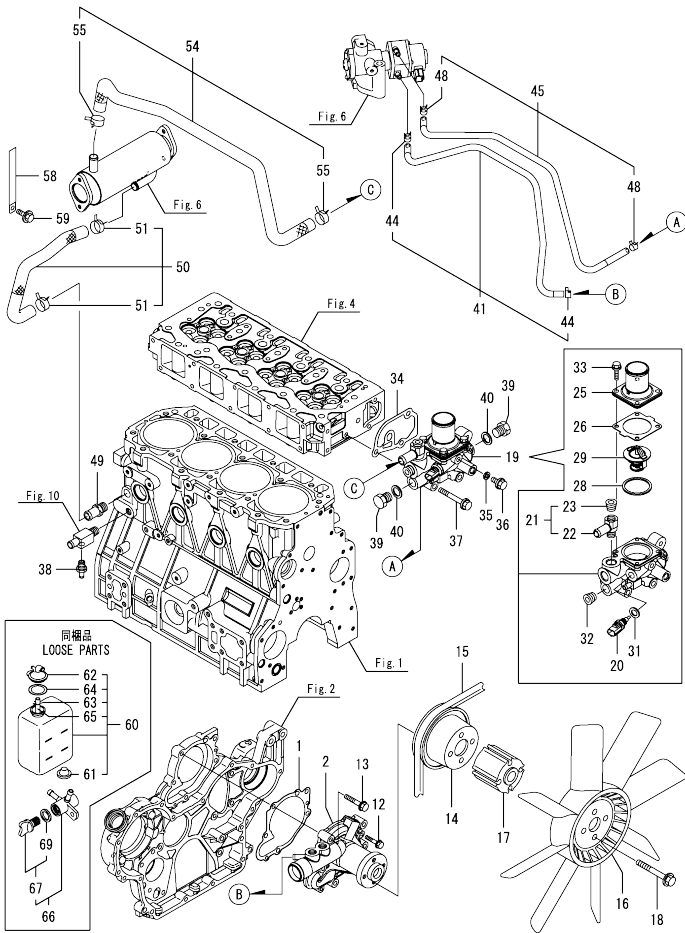
Fig.11. LUB. OIL LINE



No.	Lev.	Parts No.	Description	Q'ty						I	R
				(A)	(B)	(C)	(D)	(E)	(F)		
1	1	114250-39450	SWITCH, HYDRAULIC	1	1						
2	1	129972-39080	PIPE ASSY, OIL	1	1						
3	2	124223-39900	RETAINER	2	2						
4	1	121252-39150	BOLT, JOINT M10X1.5	1	1						
5	1	129005-59830	BOLT ASSY, JOINT M8	1	1						
6	2	22190-080002	WASHER, SEAL 6	1	1						
7	2	23857-030000	BOLT, JOINT 3	1	1						
8	1	22190-080002	WASHER, SEAL 6	1	1						
9	1	23414-100000	GASKET, 10X1.0	2	2						
10	1	26106-080122	BOLT, M8X 12 PLATED	2	2						
11	1	129927-39060	PIPE ASSY, OIL	1	1						
13	2	123907-39500	RETAINER, PIPE	1	1						
15	1	129005-59830	BOLT ASSY, JOINT M8	2	2						
16	2	22190-080002	WASHER, SEAL 6	2	2						
17	2	23857-030000	BOLT, JOINT 3	2	2						
18	1	22190-080002	WASHER, SEAL 6	2	2						
19	1	26106-080122	BOLT, M8X 12 PLATED	1	1						
20	1	22190-080002	WASHER, SEAL 6	2	2						
21	1	26106-080122	BOLT, M8X 12 PLATED	2	2						
22	1	124070-13300	ELBOW, PT3/8	1	1						
23	1	129908-39610	PIPE, OIL	1	1						
24	1	129908-39690	GASKET	1	1						
25	1	123901-39820	HOSE, LO RETURN	1	1						
26	1	23000-025000	CLAMP, 25	2	2						
27	1	26106-060162	BOLT, M6X 16 PLATED	2	2						
28	1	129908-39410	VALVE ASSY, CHECK	4	4						
34	1	119000-39650	NOZZLE, COOLING	4	4						
35	1	22351-030010	PIN, SPRING 3.0X10	4	4						

N:Old $\frac{100}{100}$ New, Q:Old $\frac{100}{100}$ New, R:Old $\frac{100}{100}$ New, S:Old $\frac{100}{100}$ New, W:Add, Z:Discontinued, F:Interchangeable by set, K:Q'ty Change
 Copyright (C) YANMAR GLOBAL CS CO., LTD. All Rights Reserved.

Fig.12. COOLING WATER SYSTEM



(A)=4TNV98T-ZXWTB
(B)=4TNV98T-ZXWTB2
(C)=

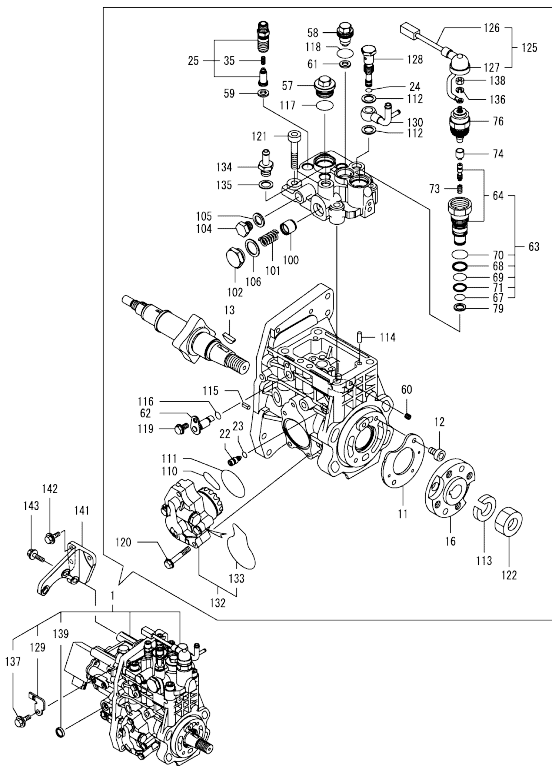
(D)=
(E)=
(F)=

No.	Lev.	Parts No.	Description	Q'ty						I	R
				(A)	(B)	(C)	(D)	(E)	(F)		
1	1	129900-42020	GASKET, WATER PUMP	1	1						
2	1	129948-42100	PUMP ASSY, WATER	1	1						
2-1	1	129948-42101	PUMP ASSY, CW	1	1						N
		(A=E180416) (B=E145036)									
12	1	26106-060302	BOLT, M6X 30 PLATED	2	2						
13	1	26106-080552	BOLT, M8X 55 PLATED	5	5						
14	1	123900-42470	V-PULLEY, PUMP B130	1	1						
15	1	129938-42280	V-BELT, B 44.5	1	1						
16	1	123950-44740	FAN, COOLING D=460	1	1						
17	1	123910-44780	SPACER, FAN 65MM	1	1						
18	1	26106-100852	BOLT, M10X 85 PLATED	4	4						
19	1	129949-49810	CASE ASSY, THERMOSTAT	1	1						
20	2	129927-44900	SENSOR, TEMPERATURE	1	1						
21	2	129928-49400	JOINT ASSY	1	1						
22	3	129928-49410	JOINT	1	1						
23	3	23875-030000	PLUG, R03	1	1						
25	2	129916-49530	COVER, THERMOSTAT	1	1						
26	2	121850-49540	GASKET, THERMOSTAT	1	1						
28	2	121850-49550	GASKET, THERMOSTAT	1	1						
29	2	121850-49801	THERMOSTAT, 82C	1	1						
31	2	22190-120002	WASHER, SEAL 12	1	1						
32	2	23875-030000	PLUG, R03	1	1						
33	2	26106-060202	BOLT, M6X 20 PLATED	4	4						
34	1	129900-49870	GASKET, THERMOSTAT	1	1						
35	1	23414-080000	GASKET, 8X1.0	1	1						
36	1	26106-080122	BOLT, M8X 12 PLATED	1	1						
37	1	26106-080602	BOLT, M8X 60 PLATED	3	3						
38	1	121550-49111	JOINT, PT1/4	1	1						
39	1	121450-42450	PLUG, M16	2	2						
40	1	124465-44950	GASKET, 16	2	2						
41	1	129927-49610	HOSE ASSY, WATER A	1	1						
44	2	23080-012000	CLAMP, 12	2	2						
45	1	129927-49620	HOSE ASSY, WATER B	1	1						
48	2	23080-012000	CLAMP, 12	2	2						
49	1	129928-49420	JOINT	1	1						
50	1	129948-49610	HOSE, COOLER INLET	1	1						
51	2	129960-03990	CLAMP, HOSE 19.8	2	2						
54	1	129928-49620	HOSE, COOLER OUTLET	1	1						
55	2	129960-03990	CLAMP, HOSE 19.8	2	2						
58	1	129928-79700	CLAMP, 150-M8	1	1						
59	1	26106-080122	BOLT, M8X 12 PLATED	1	1						
60	1	129466-44510	TANK ASSY, SUB	1	1						
61	2	121468-44540	PLUG, SUB TANK	1	1						
62	2	121450-44531	CAP	1	1						
63	2	124450-44560	CLAMP, PIPE	1	1						
64	2	121470-44581	GASKET	1	1						
65	2	121267-44590	PIPE	1	1						
66	1	129150-49100	COCK ASSY, 3-WAY	1	1						
67	2	129150-49080	COCK, DRAIN	1	1						
69	3	119629-49080	GASKET	1	1						

N:Old $\frac{New}{Old}$ New, Q:Old $\frac{New}{Old}$ New, R:Old $\frac{New}{Old}$ New, S:Old $\frac{New}{Old}$ New, W:Add, Z:Discontinued, F:Interchangeable by set, K:Q'ty Change
Copyright (C) YANMAR GLOBAL CS CO., LTD. All Rights Reserved.

OCD11-M14301 4TNV98T-ZXWTB,ZXWTB2
Fig.13. FUEL INJECTION PUMP

OCD11-M14301 Fig.13



(A)=4TNV98T-ZXWTB
 (B)=4TNV98T-ZXWTB2
 (C)=

(D)=
 (E)=
 (F)=

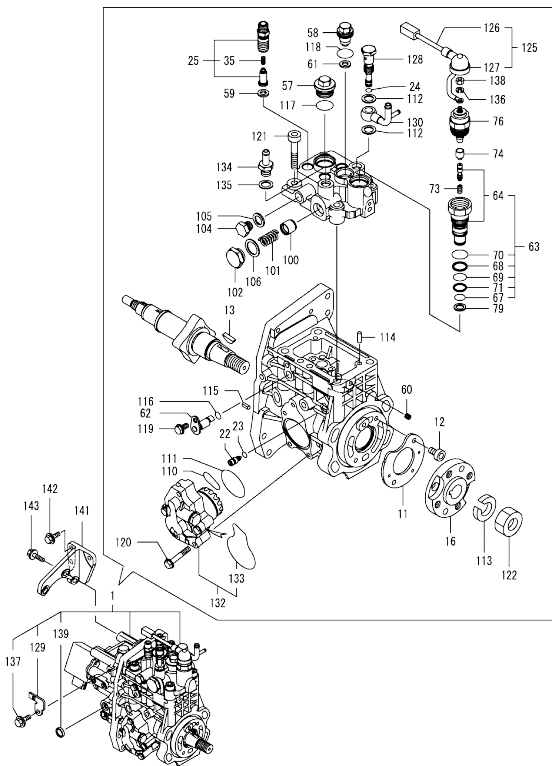
No.	Lev.	Parts No.	Description	Q'ty						I	R	
				(A)	(B)	(C)	(D)	(E)	(F)			
1	1	729948-51370	INJECTON PUMP ASSY	1	1						1	
11	2	129928-51900	COVER	1	1							
12	2	129008-51920	BOLT, SOCKET M6X10	2	2							
13	2	144626-51090	FEATHER KEY, 5X19	1	1							
16	2	158563-51150	FLANGE	1	1							
22	2	158600-51270	STOPPER, TAPPET	1	1							
23	2	158563-51281	O-RING, 4D S6	1	1							
24	2	158563-51281	O-RING, 4D S6	1	1							
25	2	129928-51390	VALVE ASSY, DELIVERY	4	4							
35	3	158563-51330	SPRING, DELIVERY	4	4							
57	2	158601-51550	PLUG, M22	1	1							
58	2	129907-51560	PLUG, M16	1	1							
59	2	158552-51571	GASKET, PLUG	4	4							
60	2	158557-51570	PLUG, RACK	1	1							
61	2	129906-51580	GASKET, PLUG	1	1							
62	2	158552-51580	LIFTER, LINK	1	1							
63	2	129657-51590	TIMER ASSY	1	1							
64	3	129657-51600	TIMER ASSY	1	1							
67	3	158553-51670	O-RING	1	1							
68	3	119802-51680	RING, BACKUP	1	1							
69	3	119802-51690	O-RING	1	1							
70	3	24356-190200	O-RING, 4D19020	1	1							
71	3	24372-000150	RING, BACK UP T2P15	1	1							
73	2	119852-51630	SPRING, TIMER	1	1							
74	2	119852-51640	CAP, TIMER	1	1							
76	2	119852-51650	VALVE ASSY, SOLENOID	1	1							
79	2	158553-51680	GASKET, TIMER	1	1							
100	2	158601-51770	PISTON, ACCUMULATOR	1	1							
101	2	158552-51781	SPRING, ACCUMULATOR	1	1							
102	2	158601-51790	PLUG	1	1							
104	2	158553-51930	PLUG, M12	1	1							
105	2	22190-120002	WASHER, SEAL 12	1	1							
106	2	22190-180002	WASHER, SEAL 18	1	1							
110	2	158552-52311	O-RING	1	1							
111	2	158552-52400	O-RING, 4E S42	1	1							
112	2	22190-120002	WASHER, SEAL 12	2	2							
113	2	22217-180000	WASHER, SPRING 18	1	1							
114	2	22312-050140	PIN, PARALLEL M5X14	2	2							
115	2	22351-050010	PIN, SPRING 5.0X10	2	2							
116	2	24311-000070	O-RING, 1AP7.0	1	1							
117	2	24356-190200	O-RING, 4D19020	1	1							
118	2	24356-240210	O-RING, 4D24021	1	1							
119	2	26106-060102	BOLT, M6X 10 PLATED	1	1							
120	2	26106-060352	BOLT, M6X 35 PLATED	4	4							
121	2	26450-100452	BOLT, M10X 45	4	4							
122	2	26776-180002	NUT, LOCK M18	1	1							
125	2	129927-51650	HARNESS ASSY, WIRE	1	1							
126	3	129927-51660	HARNESS	1	1							
127	3	129263-77941	CAP, RUBBER	1	1							
128	2	158601-51650	JOINT, OVER FLOW	1	1							
129	2	129927-51670	BRACKET	1	1							

Remarks
 (1)Governor(Fig.14)is incorporated in this Fuel Injection Pump (Ref.1).
 (1)Eco Pump
 Make sure to update the engines ECU information when replacing the Eco Pump.
 Failing to do so will result in engine malfunction.

N:Old $\frac{New}{Old}$ New, Q:Old $\frac{New}{Old}$ New, R:Old $\frac{New}{Old}$ New, S:Old $\frac{New}{Old}$ New, W:Add, Z:Discontinued, F:Interchangeable by set, K:Q'ty Change
 ++ CONTINUE ++
 Copyright (C) YANMAR GLOBAL CS CO., LTD. All Rights Reserved.

OCD11-M14301 4TNV98T-ZXWTB,ZXWTB2
Fig.13. FUEL INJECTION PUMP

OCD11-M14301 Fig.13



(A)=4TNV98T-ZXWTB
 (B)=4TNV98T-ZXWTB2
 (C)=

(D)=
 (E)=
 (F)=

No.	Lev.	Parts No.	Description	Q'ty					
				(A)	(B)	(C)	(D)	(E)	(F)
130	2	158552-51670	JOINT, OVER FLOW	1	1				
132	2	158552-52100	PUMP ASSY, FUEL FEED	1	1				
133	3	158552-52500	O-RING	1	1				
134	2	119934-59910	JOINT, PIPE	1	1				
135	2	22190-120002	WASHER, SEAL 12	1	1				
136	2	22217-050000	WASHER, SPRING 5	1	1				
137	2	26106-060122	BOLT, M6X 12 PLATED	1	1				
138	2	26716-050002	NUT, M5	1	1				
139	2	27241-160000	PLUG, 16	1	1				
141	1	129927-51250	RETAINER, PUMP	1	1				
142	1	26106-080202	BOLT, M8X 20 PLATED	3	3				
143	1	26106-080302	BOLT, M8X 30 PLATED	3	3				

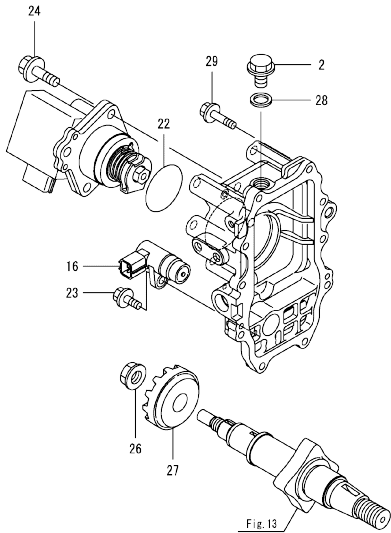
Remarks
 (1)Governor(Fig.14)is incorporated in this Fuel Injection Pump (Ref.1).
 (1)Eco Pump
 Make sure to update the engines ECU information when replacing the Eco Pump.
 Failing to do so will result in engine malfunction.

Fig.14. GOVERNOR

(A)=4TNV98T-ZXWTB
 (B)=4TNV98T-ZXWTB2
 (C)=

(D)=
 (E)=
 (F)=

No.	Lev.	Parts No.	Description	Q'ty						
				(A)	(B)	(C)	(D)	(E)	(F)	
2	2	158553-51930	PLUG, M12	1	1					
16	2	158557-61720	SENSOR	1	1					
22	2	24341-000480	O-RING, 1AS48.0	1	1					
23	2	26106-060162	BOLT, M6X 16 PLATED	1	1					
24	2	26106-080252	BOLT, M8X 25 PLATED	3	3					
26	2	129008-61301	NUT	1	1					
27	2	158553-61780	GEAR, SENSOR	1	1					
28	2	22190-120002	WASHER, SEAL 12	1	1					
29	2	26106-060252	BOLT, M6X 25 PLATED	10	10					

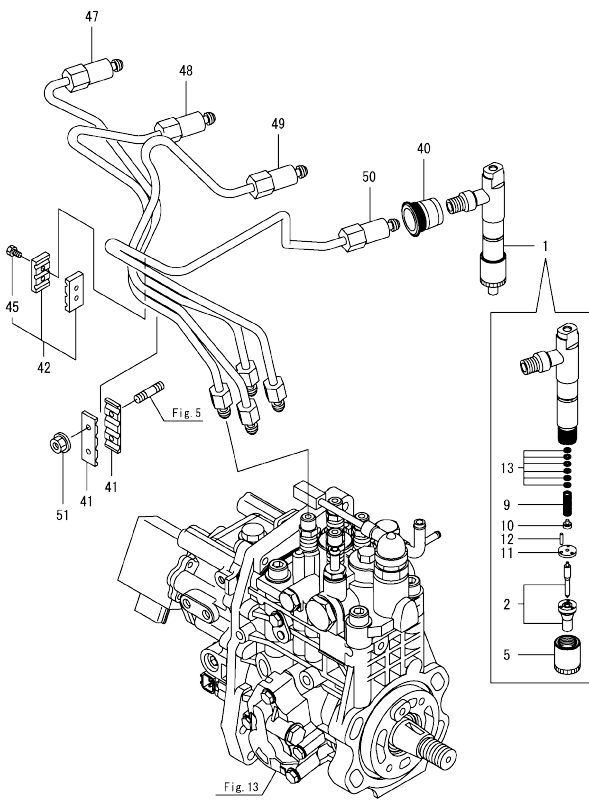


Remarks
 *This figure(Governor)is incorporated
 in the Fuel Injection Pump (Fig.13).

Fig.15. FUEL INJECTION VALVE

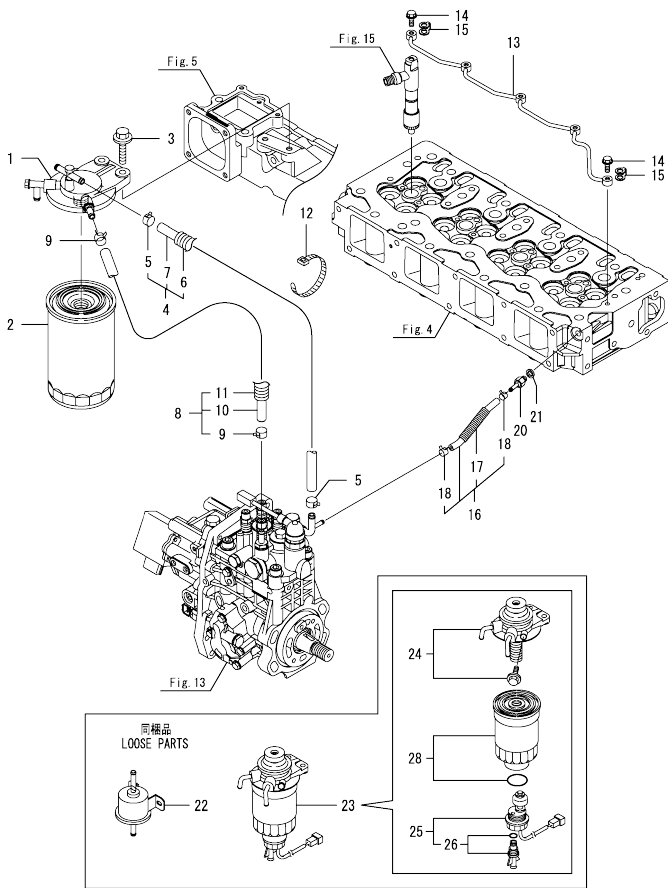
(A)=4TNV98T-ZXWTB
(B)=4TNV98T-ZXWTB2
(C)=

(D)=
(E)=
(F)=



No.	Lev.	Parts No.	Description	Q'ty					
				(A)	(B)	(C)	(D)	(E)	(F)
1	1	729928-53300	FUEL INJECTOR ASSY	4	4				
2	2	129672-53010	NOZZLE ASSY, F.I.	4	4				
5	2	114250-53080	NUT, NOZZLE	4	4				
9	2	114250-53120	SPRING, NOZZLE	4	4				
10	2	114250-53130	SEAT, SPRING	4	4				
11	2	114250-53140	SPACER	4	4				
12	2	114250-53210	PIN	8	8				
13	2	119803-53400	SHIM SET	4	4				
40	1	123907-11601	SEAL, PIPE	4	4				
41	1	123472-59120	RETAINER, PIPE	2	2				
42	1	129150-59120	RETAINER, PIPE	1	1				
45	2	129150-59131	BOLT, M4X14	2	2				
47	1	129927-59810	PIPE ASSY, INJECTION	1	1				
48	1	129927-59820	PIPE ASSY, INJECTION	1	1				
49	1	129927-59830	PIPE ASSY, INJECTION	1	1				
50	1	129927-59840	PIPE ASSY, INJECTION	1	1				
51	1	26366-060002	NUT, M6	2	2				

Fig.16. FUEL PIPE

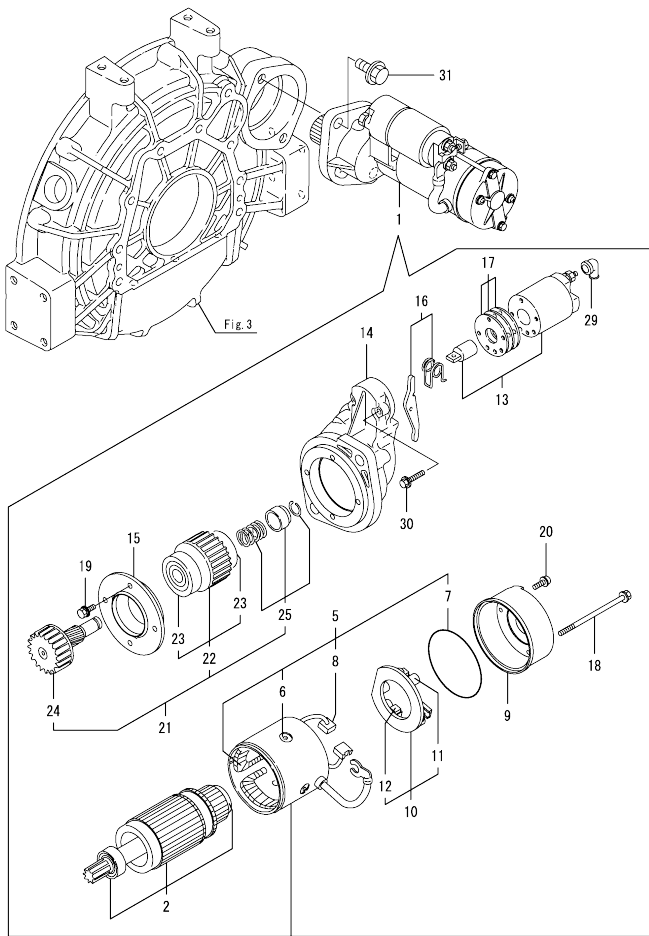


(A)=4TNV98T-ZXWTB
(B)=4TNV98T-ZXWTB2
(C)=

(D)=
(E)=
(F)=

No.	Lev.	Parts No.	Description	Qty						I	R
				(A)	(B)	(C)	(D)	(E)	(F)		
1	1	129004-55612	BRACKET, FILTER	1	1						
2	1	129907-55801	FILTER, FUEL	1	1						
3	1	26106-080302	BOLT, M8X 30 PLATED	2	2						
4	1	129457-59010	HOSE ASSY, FUEL	1	1						
5	2	124766-59050	CLAMP, HOSE 11.5	2	2						
6	2	129957-59120	TUBE, CORRUGATED 15	1	1						
7	2	105025-59750	HOSE, FUEL	1	1						
8	1	129961-59310	HOSE ASSY, FUEL	1	1						
9	2	124766-59050	CLAMP, HOSE 11.5	2	2						
10	2	129136-59110	HOSE, D13/7.5X270	1	1						
11	2	129961-59110	TUBE, CORRUGATED 15	1	1						
12	1	121750-59890	BAND, NYLON	1	1						
13	1	129907-59140	PIPE ASSY, RETURN	1	1						
14	1	123907-59540	BOLT, PIPE JOINT M6	5	5						
15	1	123907-59550	GASKET, FUEL RETURN	5	5						
16	1	129927-59550	HOSE ASSY, RETURN	1	1						
17	2	129263-49750	TUBE, CORRUGATED	1	1						
18	2	124722-59050	CLAMP, HOSE 9	2	2						
20	1	123907-59560	JOINT, HOSE	1	1						
21	1	22190-080002	WASHER, SEAL 8	1	1						
22	1	129612-52100	PUMP, FUEL FEED	1	1						
23	1	129917-55801	FILTER ASSY, FUEL	1	1						
23-1	1	129917-55802	FILTER ASSY, FO PRE (B=E158051)	1							N
24	2	129917-55810	BODY, FILTER SUB	1	1						
25	2	129917-55821	SENSOR ASSY, LEVEL	1	1						
25-1	2	129917-55870	SENSOR ASSY, LEVEL (B=E158051)	1							N
26	3	129917-55830	PLUG, DRAIN	1	1						
26-1	3	129242-55740	PLUG, DRAIN (B=E158051)	1							N
28	2	129917-55850	ELEMENT KIT, FUEL (B=E158051)	1	1						

Fig.17. STARTING MOTOR

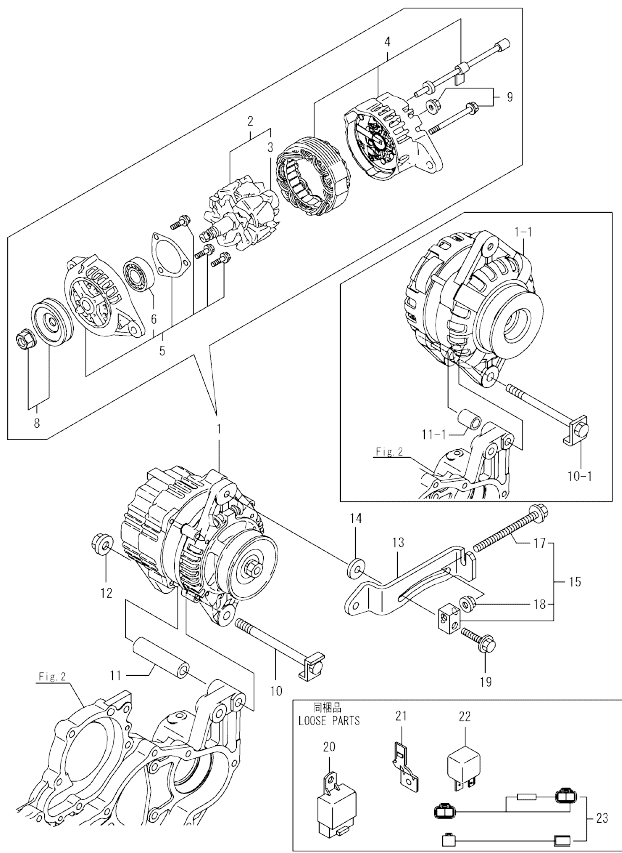


(A)=4TNV98T-ZXWTB
(B)=4TNV98T-ZXWTB2
(C)=

(D)=
(E)=
(F)=

No.	Lev.	Parts No.	Description	Q'ty						I	R
				(A)	(B)	(C)	(D)	(E)	(F)		
1	1	129940-77011	STARTER ASSY	1	1						
2	2	129940-77100	ARMATURE ASSY	1	1						
5	2	129940-77130	COIL ASSY, FIELD	1	1						
6	3	129940-77140	SCREW, CORE SET	4	4						
7	3	129940-77150	O-RING	1	1						
8	3	129940-77160	BRUSH	2	2						
9	2	129940-77171	COVER	1	1						
10	2	129940-77181	HOLDER ASSY, BRUSH	1	1						
11	3	129940-77190	SPRING, BRUSH	1	1						
12	3	129940-77200	BRUSH	2	2						
13	2	129940-77210	SWITCH ASSY, MAGNET	1	1						
14	2	129940-77221	CASE, GEAR	1	1						
15	2	129940-77230	RETAINER, BEARING	1	1						
16	2	129940-77240	LEVER SET	1	1						
17	2	129940-77250	COVER KIT, DUST	1	1						
18	2	129940-77260	BOLT, THROUGH	2	2						
19	2	129940-77270	BOLT	4	4						
20	2	129940-77280	SCREW	2	2						
21	2	123900-77510	PINION ASSY	1	1						
22	3	123900-77520	CLUTCH ASSY	1	1						
23	4	X2240610100	BEARING, BALL	2	2						
24	3	123900-77540	SHAFT, PINION	1	1						
25	3	119131-77550	STOPPER SET, PINION	1	1						
29	2	121254-77810	COVER, TERMINAL	1	1						
30	2	114371-79070	BOLT	2	2						
31	1	26106-120252	BOLT, M12X 25 PLATED	2	2						

Fig.18. GENERATOR



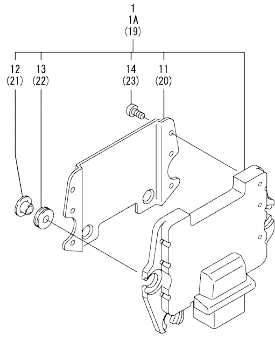
(A)=4TNV98T-ZXWTB
(B)=4TNV98T-ZXWTB2
(C)=

(D)=
(E)=
(F)=

No.	Lev.	Parts No.	Description	Qty						I	R
				(A)	(B)	(C)	(D)	(E)	(F)		
1	1	123910-77210	ALTERNATOR, 12V-80A	1	1						
1-1	1	129908-77210	ALTERNATOR (B=EN1636)		1						F 1
2	2	123910-77740	ROTOR ASSY		1	1					
3	3	129900-77810	BEARING, BALL		1	1					
4	2	123910-77760	BRACKET ASSY		1	1					
5	2	129900-77890	BRACKET ASSY		1	1					
6	3	129900-77900	BEARING, BALL		1	1					
8	2	123910-77910	PULLEY, GENERATOR		1	1					
9	2	129900-77920	SCREW KIT		1	1					
10	1	129002-77281	BOLT, M10		1	1					
10-1	1	129908-77220	BOLT, STOPPER M10 (B=EN1636)		1						F 1
11	1	129470-77340	PIECE, DISTANCE		1	1					
11-1	1	129908-77360	PIECE, DISTANCE (B=EN1636)		1						F 1
12	1	26306-100002	NUT, M10		1	1					
13	1	129953-77300	ADJUSTER		1	1					
14	1	121236-77340	SPACER		1	1					
15	1	119624-77351	BLOCK ASSY, ADJUSTER		1	1					
17	2	26106-081004	BOLT, M8X100 PLATED		1	1					
18	2	26306-080002	NUT, M8		1	1					
19	1	26106-080452	BOLT, M8X 45 PLATED		1	1					
20	1	198461-52950	RELAY, CA TYPE C		3						
20-1	1	198461-52950	RELAY, CA TYPE C (A=EH9805)	2	2						K
21	1	129927-77910	BRACKET, CONNECTOR		2	2					
22	1	129927-77920	RELAY, ISO 70A		2	2					
23	1	129908-77910	HARNESS (B=EN1636)		1						F 1

Remarks
(1)Interchangeable by simultaneous replacement with No.1A, No.10A, 11A, and No.23.

Fig.19. ELECTRONIC CONTROL UNIT (ECU)



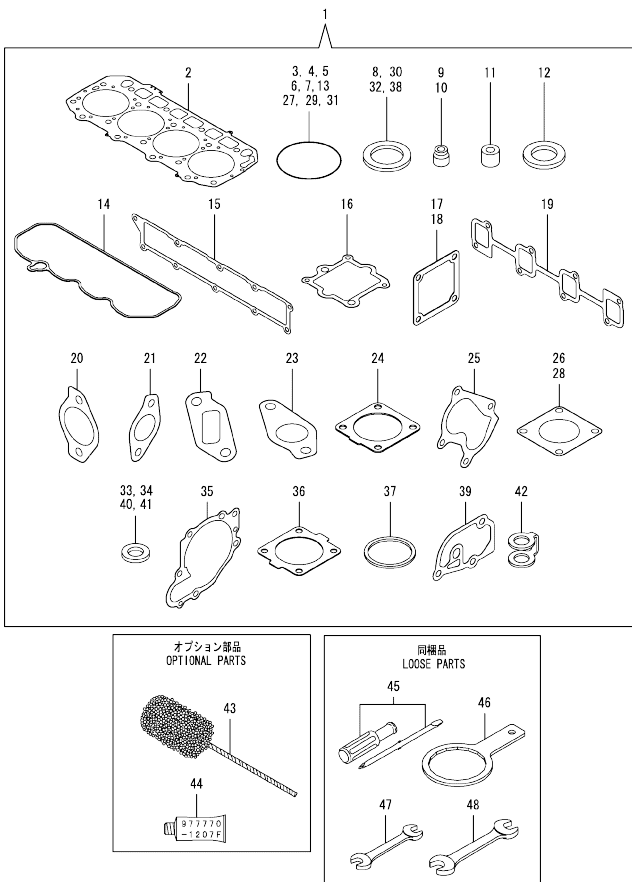
(A)=4TNV98T-ZXWTB
(B)=4TNV98T-ZXWTB2
(C)=

(D)=
(E)=
(F)=

No.	Lev.	Parts No.	Description	Q'ty						
				(A)	(B)	(C)	(D)	(E)	(F)	
1	1	129948-75140	ECU CMP(4TNV98T-ZSTB	1						1
1A	1	129948-75170	ECU ASSY,4TMV98T-ZXW		1					1
11	2	129927-77600	SHIELD, ECU	1	1					
12	2	129927-77680	COLLAR, CONTROL	3	3					
13	2	119578-91351	ABSORBER	3	3					
14	2	22877-500080	SCREW, 5X 8	6	6					
19	1	129927-75900	ECU ASSY, SERVICE	1	1					2
20	2	129927-77600	SHIELD, ECU	1	1					
21	2	129927-77680	COLLAR, CONTROL	3	3					
22	2	119578-91351	ABSORBER	3	3					
23	2	22877-500080	SCREW, 5X 8	6	6					

Remarks
(1)Eco ECU
This part cannot be ordered.
Replace the part using a Service ECU with the proper engine information installed.
(2)Service ECU
If the proper information is not installed, the engine will not operate.
To install proper information, go to an authorized Distributor.

Fig.20. GASKET SET



(A)=4TNV98T-ZXWTB
(B)=4TNV98T-ZXWTB2
(C)=

(D)=
(E)=
(F)=

No.	Lev.	Parts No.	Description	Qty						I	R	
				(A)	(B)	(C)	(D)	(E)	(F)			
1	1	729928-92600	GASKET SET	1	1						1	
2	2	129907-01331	GASKET, HEAD	1	1							
3	2	129900-32030	O-RING, P20	2	2							
4	2	129900-32040	O-RING, P14	1	1							
5	2	24311-000070	O-RING, 1AP7.0	1	1							
6	2	24351-030750	O-RING, 1A3075	1	1							
7	2	24311-000320	O-RING, 1AP32.0	2	2							
8	2	22190-220002	WASHER, SEAL 22	1	1							
9	2	119803-11340	SEAL, VALVE STEM	8	8							
10	2	124160-11340	SEAL, VALVE STEM	8	8							
11	2	119802-11870	PROTECTOR, NOZZLE	4	4							
12	2	119625-11880	SEAT, NOZZLE	4	4							
13	2	24311-000120	O-RING, 1AP12.0	8	8							
14	2	129933-11310	GASKET, BONNET	1	1							
15	2	129907-12110	GASKET, MANIFOLD	1	1							
16	2	129928-13720	GASKET	1	1							
17	2	119129-77020	GASKET	1	1							
18	2	121850-77021	GASKET, AIR HEATER	1	1							
19	2	129900-13251	GASKET, EXH.MANIFOLD	1	1							
20	2	129928-13410	GASKET	2	2							
21	2	129927-13810	GASKET	1	1							
22	2	129927-13910	GASKET, EGR	1	1							
23	2	129927-13920	GASKET, EGR	1	1							
24	2	129930-13201	GASKET, SILENCER	2	2							
25	2	123901-18080	GASKET	1	1							
26	2	129472-18090	GASKET	1	1							
27	2	24341-000530	O-RING, 1AS53.0	1	1							
28	2	124240-01883	GASKET	1	1							
29	2	24321-000600	O-RING, 1AG60.0	1	1							
30	2	22190-300002	WASHER, SEAL 30	1	1							
31	2	24321-000700	O-RING, 1AG70.0	1	1							
32	2	22190-080002	WASHER, SEAL 6	11	11							
33	2	23414-100000	GASKET, 10X1.0	2	2							
34	2	129908-39690	GASKET	1	1							
35	2	129900-42020	GASKET, WATER PUMP	1	1							
36	2	121850-49540	GASKET, THERMOSTAT	1	1							
37	2	121850-49550	GASKET, THERMOSTAT	1	1							
38	2	22190-120002	WASHER, SEAL 12	1	1							
39	2	129900-49870	GASKET, THERMOSTAT	1	1							
40	2	23414-080000	GASKET, 8X1.0	1	1							
41	2	124465-44950	GASKET, 16	2	2							
42	2	123907-59550	GASKET	5	5							
43	1	129400-92450	HONE, FLEX	1	1							1
44	1	977770-1207F	GASKET LIQUID	1	1							1
45	1	104200-92350	SCREW-DRIVER	1	1							
46	1	119640-92750	TOOL, FILTER WRENCH	1	1							
47	1	28110-100120	SPANNER, 10X12	1	1							
48	1	28110-140170	SPANNER, 14X17	1	1							

Remarks

(1)Optional parts.

Parts No. Index

Parts No.	Fig. No.	Ref. No.	Parts No.	Fig. No.	Ref. No.	Parts No.	Fig. No.	Ref. No.	Parts No.	Fig. No.	Ref. No.
104200-92350	20	45	121254-77810	17	29	123910-49600	10	8	129150-11750	21	42
105025-59750	16	7	121267-44590	12	65	123910-49610	10	10	129150-14200	7	1
114250-39450	11	1	121450-42450	12	39	123910-77210	18	1	129150-25920	7	16
114250-53080	15	5	121450-44531	12	62	123910-77740	18	2	129150-35153	10	24
114250-53120	15	9	121468-44540	12	61	123910-77760	18	4	129150-49080	12	67
114250-53130	15	10	121470-44581	12	64	123910-77910	18	8	129150-49100	12	66
114250-53140	15	11	121520-34810	10	15	123912-33050	10	2	129150-59120	15	42
114250-53210	15	12	121550-49111	12	38	123912-33100	10	3	129150-59131	15	45
114371-79070	17	30	121750-59890	10	11	123950-44740	12	16	129242-55740	16	26 -1
119000-01840	3	4		16	12	123951-18220	5	14	129263-49750	16	17
119000-39650	11	34	121850-21130	9	11	124070-13300	11	22	129263-77941	13	127
119005-77051	5	19	121850-21290	9	4	124160-01751	2	14	129400-92450	20	43
119100-11330	4	56	121850-21920	9	5		4	49	129410-03990	4	70
	21	61	121850-49540	12	26		21	49			73
119129-77020	5	17		20	36	124160-11340	4	16	129418-18320	6	4
	20	17	121850-49550	12	28		20	10	129457-59010	16	4
119129-77520	5	20		20	37		21	16	129466-44510	12	60
119131-18320	6	3	121850-49801	12	29	124160-11360	4	60	129466-49300	10	7
119131-77550	17	25	121850-77021	5	18		21	50	129470-77340	18	11
119578-91351	19	13		20	18	124223-39900	11	3	129472-18090	8	2
		22	123472-59120	15	41	124240-01871	2	20		20	26
119593-11301	4	29	123900-13630	6	6	124240-01883	2	21	129509-03150	5	25
	21	29	123900-25060	7	9		20	28	129509-79700	4	57
119620-11180	4	14	123900-42470	12	14	124450-44560	12	63		21	63
	21	14	123900-77510	17	21	124465-44950	12	40	129612-52100	16	22
119624-77351	18	15	123900-77520	17	22		20	41	129640-13580	6	27
119625-11880	4	25	123900-77540	17	24	124722-59050	16	18	129640-13590	6	26
	20	12	123901-03240	4	78	124766-59050	16	5	129657-51590	13	63
	21	25	123901-18080	6	32		9	9	129657-51600	13	64
119629-49080	12	69		20	25	127410-21480	9	14	129672-53010	15	2
119640-01640	3	8	123901-39820	11	25	129002-77281	18	10	129900-01200	1	27
		13	123907-03100	21	52	129004-55612	16	1	129900-01250	1	4
119640-92750	20	46	123907-03110	21	53	129005-59830	11	5	129900-01850	2	26
119802-11870	4	24	123907-03120	21	54			15	129900-01870	2	27
	20	11	123907-03140	21	55	129006-44480	10	5	129900-02020	1	6
	21	24	123907-11280	4	34	129008-51920	13	12	129900-02341	1	33
119802-13790	6	10		21	34	129008-61301	14	26	129900-02410	1	9
119802-51680	13	68	123907-11550	4	1	129100-01580	2	1	129900-02931	1	24
119802-51690	13	69		21	1		3	1	129900-02941	1	36
119803-11340	4	15	123907-11601	15	40	129136-59110	16	10	129900-13251	6	5
	20	9	123907-11820	4	21	129150-02450	7	4		20	19
	21	15		21	21	129150-11230	4	37	129900-14100	7	6
119803-53400	15	13	123907-11830	4	20			41	129900-21200	9	3
119852-51630	13	73		21	20			21	129900-23001	9	25
119852-51640	13	74	123907-39500	11	13			41	129900-23200	9	28
119852-51650	13	76	123907-59540	16	14	129150-11750	4	19	129900-23601	9	29
119934-59910	13	134	123907-59550	16	15			38	129900-23611	9	32
120130-22301	9	23		20	42			42	129900-23911	9	31
121236-77340	18	14	123907-59560	16	20			21	129900-25100	7	10
121252-39150	11	4	123910-44780	12	17			38	129900-32030	2	6

Parts No. Index

Parts No.	Fig. No.	Ref. No.	Parts No.	Fig. No.	Ref. No.	Parts No.	Fig. No.	Ref. No.	Parts No.	Fig. No.	Ref. No.
129900-32030	10	17	129907-11950	21	27	129927-59550	16	16	129940-13500	6	25
	20	3	129907-12110	5	1	129927-59810	15	47	129940-77011	17	1
129900-32040	2	7		20	15	129927-59820	15	48	129940-77100	17	2
	20	4	129907-14400	7	2	129927-59830	15	49	129940-77130	17	5
129900-34800	10	14	129907-25900	7	15	129927-59840	15	50	129940-77140	17	6
129900-35000	10	18	129907-51560	13	58	129927-75900	19	19	129940-77150	17	7
129900-42020	12	1	129907-55801	16	2	129927-77600	19	11	129940-77160	17	8
	20	35	129907-59140	16	13			20	129940-77171	17	9
129900-49870	12	34	129908-01500	2	3	129927-77680	19	12	129940-77181	17	10
	20	39	129908-14581	7	3			21	129940-77190	17	11
129900-77810	18	3	129908-21000	9	1	129927-77910	18	21	129940-77200	17	12
129900-77890	18	5	129908-32060	2	4	129927-77920	18	22	129940-77210	17	13
129900-77900	18	6	129908-33010	10	1	129928-01710	3	7	129940-77221	17	14
129900-77920	18	9	129908-33101	10	4	129928-03050	4	67	129940-77230	17	15
129902-01710	3	12	129908-39410	11	28	129928-03060	4	68	129940-77240	17	16
129906-51580	13	61	129908-39610	11	23	129928-03080	4	71	129940-77250	17	17
129907-01331	1	28	129908-39690	11	24	129928-03300	4	80	129940-77260	17	18
	20	2		20	34	129928-07900	4	64	129940-77270	17	19
129907-03011	4	51	129908-49060	10	6		21	70	129940-77280	17	20
129907-03061	4	52	129908-77210	18	1 -1	129928-11320	4	50	129945-18210	5	23
129907-03070	4	53	129908-77220	18	10 -1	129928-11700	4	2	129945-18220	5	24
129907-07900	4	63	129908-77360	18	11 -1		21	2	129948-13100	6	2
	21	69	129908-77910	18	23	129928-12100	5	3	129948-13150	6	1
129907-11100	4	11	129916-01790	3	6	129928-12150	5	2	129948-18010	8	1
	21	11	129916-01800	2	25	129928-13400	6	7	129948-21590	9	12
129907-11110	4	12	129916-21610	9	7	129928-13410	6	8	129948-21610	9	8
	21	12	129916-49530	12	25			9	129948-42100	12	2
129907-11120	4	13	129917-55801	16	23		20	20	129948-42101	12	2 -1
	21	13	129917-55802	16	23 -1	129928-13700	5	4	129948-49610	12	50
129907-11250	4	31	129917-55810	16	24	129928-13710	5	5	129948-75140	19	1
	21	31	129917-55821	16	25	129928-13720	5	6	129948-75170	19	1 A
129907-11260	4	32	129917-55830	16	26		20	16	129949-03140	21	58
	21	32	129917-55850	16	28	129928-13800	6	11	129949-03170	21	56
129907-11270	4	33	129917-55870	16	25 -1	129928-13810	6	13	129949-11400	21	51
	21	33	129927-13810	6	12	129928-13900	6	19	129949-18200	5	12
129907-11341	4	30		20	21	129928-22080	9	15	129949-18210	5	13
	21	30	129927-13910	6	20	129928-49400	12	21	129949-49810	12	19
129907-11510	4	17		20	22	129928-49410	12	22	129951-01620	3	2
	21	17	129927-13920	6	21	129928-49420	12	49	129951-01740	2	16
129907-11650	4	35		20	23	129928-49620	12	54	129953-25300	7	14
	21	35	129927-22050	9	17	129928-51390	13	25	129953-77300	18	13
129907-11660	4	39	129927-39060	11	11	129928-51900	13	11	129957-59120	16	6
	21	39	129927-42140	2	7 A	129928-59130	4	82	129960-03990	12	51
129907-11800	4	88	129927-44900	12	20	129928-79700	12	58			55
	21	73	129927-49610	12	41	129930-13201	6	24	129960-21640	9	9
129907-11910	4	26	129927-49620	12	45		20	24	129961-59110	16	11
	21	26	129927-51250	13	141	129933-11310	4	55	129961-59310	16	8
129907-11920	4	43	129927-51650	13	125		20	14	129972-03220	4	76
	21	43	129927-51660	13	126		21	60	129972-03230	4	77
129907-11950	4	27	129927-51670	13	129	129938-42280	12	15	129972-03240	4	75

Parts No. Index

Parts No.	Fig. No.	Ref. No.
129972-39080	11	2
129978-03030	21	57
144626-51090	13	13
158552-51571	13	59
158552-51580	13	62
158552-51670	13	130
158552-51781	13	101
158552-52100	13	132
158552-52311	13	110
158552-52400	13	111
158552-52500	13	133
158553-51670	13	67
158553-51680	13	79
158553-51930	13	104
	14	2
158553-61780	14	27
158557-51570	13	60
158557-61720	14	16
158563-51150	13	16
158563-51281	13	23
	24	
158563-51330	13	35
158600-51270	13	22
158601-51550	13	57
158601-51650	13	128
158601-51770	13	100
158601-51790	13	102
171051-01921	1	5
198461-52950	18	20
	20	-1
22117-100000	6	28
22190-080002	11	6
		8
		16
		18
		20
	16	21
	20	32
22190-120002	12	31
	13	105
		112
		135
	14	28
	20	38
22190-180002	13	106
22190-220002	3	10
		15
	20	8
22190-300002	20	30
22217-050000	13	136

Parts No.	Fig. No.	Ref. No.
22217-100000	6	29
22217-180000	13	113
22252-000300	9	24
22312-050140	13	114
22351-030010	11	35
22351-050010	13	115
22351-060012	1	10
22512-070140	7	7
	9	6
22857-500100	4	58
	21	64
		65
22877-500080	19	14
		23
23000-019000	4	83
23000-025000	10	12
	11	26
23000-054000	5	15
23000-070000	5	16
23065-160600	4	84
23080-012000	12	44
		48
		35
23414-080000	12	35
	20	40
23414-100000	11	9
	20	33
23857-030000	11	7
		17
23875-030000	12	23
		32
23876-020000	4	8
	21	8
23876-030000	1	11
		12
		13
		29
	4	9
		85
24311-000070	21	9
	2	8
	13	116
	20	5
24311-000120	4	28
		61
	20	13
	21	28
		67
24311-000320	2	15
	4	62
	20	7

Parts No.	Fig. No.	Ref. No.
24311-000320	21	68
24321-000600	10	13
	20	29
24321-000700	20	31
24341-000480	14	22
24341-000530	9	10
	20	27
24351-030750	2	9
	20	6
24356-190200	13	70
		117
24356-240210	13	118
24372-000150	13	71
26106-060102	13	119
26106-060122	4	59
	13	137
	21	66
26106-060162	11	27
	14	23
26106-060202	5	7
		8
	12	33
26106-060252	14	29
26106-060302	12	12
26106-060352	13	120
26106-080122	3	11
	4	86
	10	23
	11	10
		19
		21
	12	36
		59
26106-080142	4	87
26106-080162	2	10
		22
		28
	4	65
	7	8
	21	71
26106-080202	2	11
		17
	4	66
	13	142
	21	72
26106-080252	14	24
26106-080302	13	143
	16	3
26106-080352	6	14
26106-080402	2	29

Parts No.	Fig. No.	Ref. No.
26106-080402	4	45
	5	21
	21	45
26106-080452	2	12
		18
	5	10
	6	15
	18	19
26106-080552	6	16
	7	13
	12	13
26106-080602	4	46
		47
	12	37
	21	46
		47
26106-080702	2	30
26106-080752	2	19
26106-080802	5	11
26106-080902	5	22
26106-081004	18	17
26106-100252	6	17
26106-100402	6	22
26106-100652	6	30
26106-100852	12	18
26106-101052	6	23
26106-120252	17	31
26116-050102	4	79
26206-100352	3	5
26216-060202	5	9
26216-100302	2	5
26226-080222	4	44
	21	44
26306-080002	4	48
	6	18
	8	3
	18	18
	21	48
26306-100002	2	13
	18	12
26366-060002	15	51
26450-100452	13	121
26557-050082	21	59
26706-100002	6	31
26716-050002	13	138
26776-180002	13	122
27241-160000	13	139
27241-300000	1	14
27241-400000	4	10
	21	10

Parts No. Index

Parts No.	Fig. No.	Ref. No.
27310-070001	4	22
	21	22
28110-100120	20	47
28110-140170	20	48
729900-02801	1	30
729907-01559	2	23
729927-22950	9	36
729928-01560	1	1
729928-22900	9	34
729928-53300	15	1
729928-92600	20	1
729948-51370	13	1
977770-1207F	20	44
X2240610100	17	23

Parts No.	Fig. No.	Ref. No.
-----------	----------	----------

Parts No.	Fig. No.	Ref. No.
-----------	----------	----------

Parts No.	Fig. No.	Ref. No.
-----------	----------	----------