

0CD50-M04410EN

P R E F A C E

This parts catalog is the 1st edition of 4TNV98T-ZNAT for Agritech.

Published : January, 2019

Contents

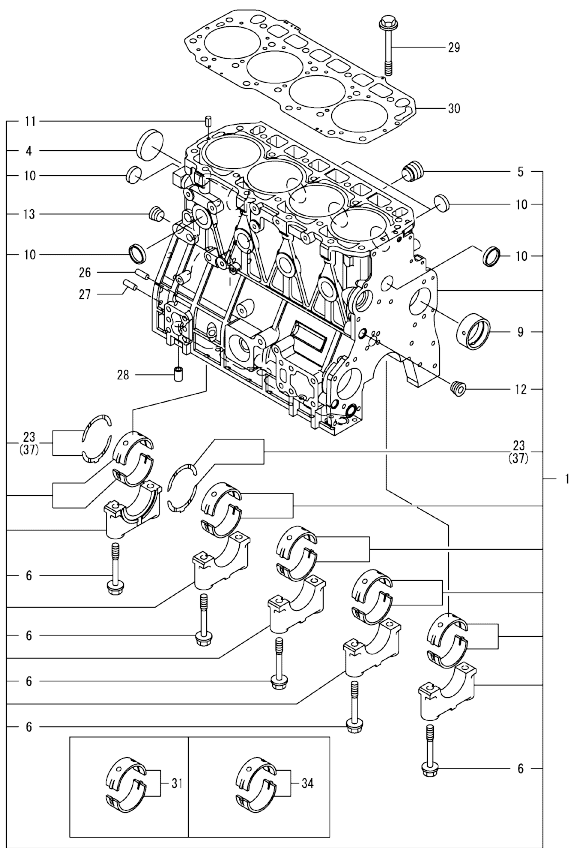
0CD50-M04410

Fig. No.	Fig. Name	Fig. No.	Fig. Name
ENGINE			
1.	CYLINDER BLOCK		
2.	GEAR HOUSING		
3.	OIL SUMP		
4.	CYLINDER HEAD & BONNET		
5.	SUCTION MANIFOLD		
6.	EXHAUST MANIFOLD		
7.	CAMSHAFT & DRIVING GEAR		
8.	TURBINE		
9.	CRANKSHAFT & PISTON		
10.	BALANCER		
11.	LUB. OIL SYSTEM		
12.	LUB. OIL PIPE		
13.	COOLING WATER SYSTEM		
14.	FUEL INJECTION PUMP		
15.	GOVERNOR		
16.	FUEL INJECTION VALVE		
17.	FUEL PIPE		
18.	ELECTRONIC CONTROL UNIT(ECU)		
19.	ACCESSORY		

Fig.1. CYLINDER BLOCK

(A)=4TNV98T-ZNAT
(B)=
(C)=

(D)=
(E)=
(F)=

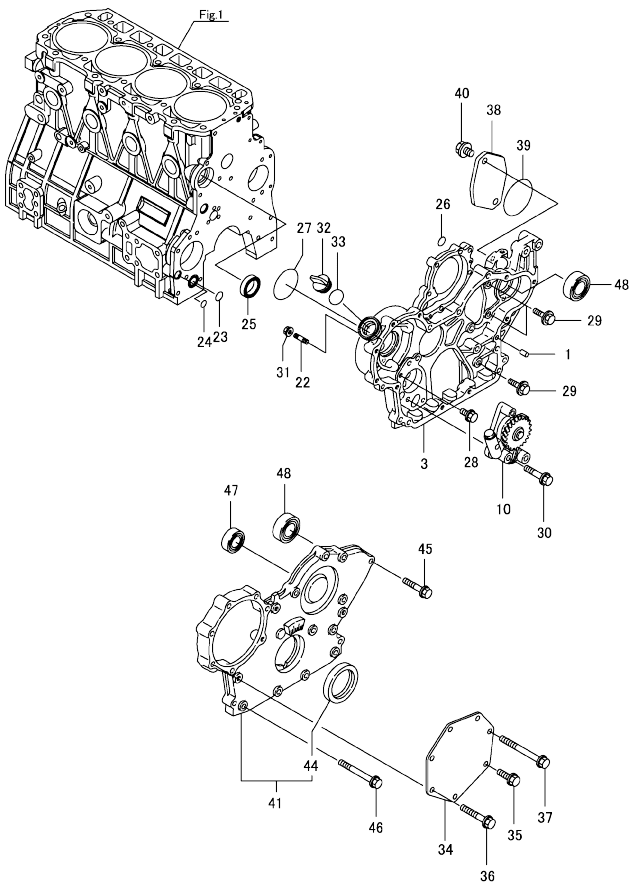


No.	Lev.	Parts No.	Description	Q'ty						I	R
				(A)	(B)	(C)	(D)	(E)	(F)		
1	1	729973-01560	BLOCK ASSY, CYLINDER	1							
4	2	129900-01250	PLUG, 55	1							
5	2	171051-01921	PLUG, NPTF1	1							
6	2	129900-02020	BOLT, METAL CAP	10							
9	2	129900-02410	BUSH, CAMSHAFT	1							
10	2	27241-300000	PLUG 30	8							
11	2	22351-060012	PIN, SPRING 6.0X12	2							
12	2	23876-030000	PLUG, R03	1							
13	2	23876-030000	PLUG, R03	1							
23	2	129927-02930	BEARING ASSY, THRUST	2							
26	1	129100-01580	PIN, PARALLEL 8X16	2							
27	1	129100-01580	PIN, PARALLEL 8X16	2							
28	1	129956-01710	PIPE, KNOCK L=25	1							
29	1	129900-01200	BOLT, CYLINDER HEAD	18							
30	1	129907-01331	GASKET, HEAD	1							
31	1	729927-02800	BEARING ASSY, MAIN	5							1
34	1	129927-02340	BEARING ASSY, MAIN US	5							2
37	1	129927-02940	BEARING, THRUST 0.25OS	2							3

Remarks

- (1) Spare parts.
- (2) Under-sized (U.S.=0.25) parts.
- (3) Over-sized (O.S.=0.25) parts.

Fig.2. GEAR HOUSING

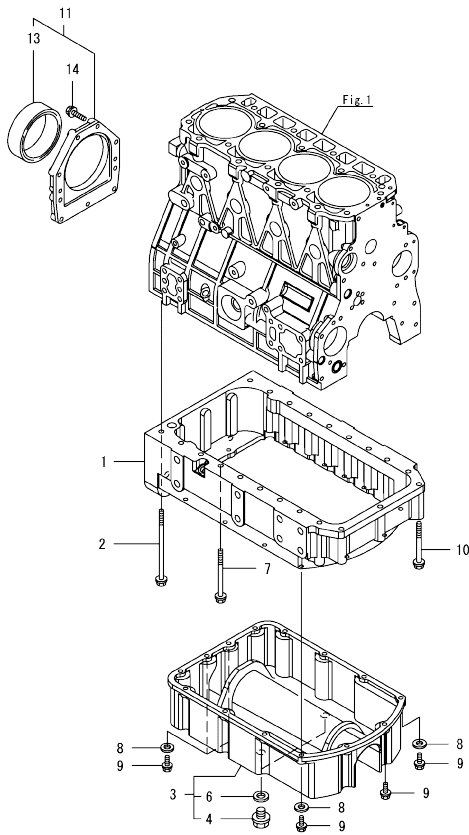


No.	Lev.	Parts No.	Description	Qty						I	R		
				(A)	(B)	(C)	(D)	(E)	(F)				
1	1	129100-01580	PIN, PARALLEL 8X16										
3	1	129933-01500	CASE, GEAR										
10	1	129908-32060	PUMP ASSY, OIL										
22	1	26216-100302	STUD, M10X 30										
23	1	129900-32030	O-RING, P20										
24	1	129900-32040	O-RING, P14										
25	1	129927-42140	GASKET, PUMP OUTLET										
26	1	24311-000070	O-RING, 1AP7.0										
27	1	24351-030750	O-RING, 1A3075										
28	1	26106-080162	BOLT, M8X 16 PLATED										
29	1	26106-080202	BOLT, M8X 20 PLATED										
30	1	26106-080452	BOLT, M8X 45 PLATED										
31	1	26306-100002	NUT, M10										
32	1	124160-01751	CAP, FILLER										
33	1	24311-000320	O-RING, 1AP32.0										
34	1	129951-01740	COVER, PUMP TIMING										
35	1	26106-080202	BOLT, M8X 20 PLATED										
36	1	26106-080452	BOLT, M8X 45 PLATED										
37	1	26106-080752	BOLT, M8X 75 PLATED										
38	1	121023-26071	COVER, PUMP										
39	1	24321-000850	O-RING, 1AG85.0										
40	1	26106-100202	BOLT, M10X 20 PLATED										
41	1	729907-01559	COVER ASSY, CASE										
44	2	129916-01800	SEAL, OIL										
45	1	26106-080402	BOLT, M8X 40 PLATED										
46	1	26106-080702	BOLT, M8X 70 PLATED										
47	1	129900-14140	BEARING, BALL 6205										
48	1	129900-26250	BEARING, BALL 6206C3										

N:Old $\frac{100}{100}$ New, Q:Old $\frac{100}{100}$ New, R:Old $\frac{100}{100}$ New, S:Old $\frac{100}{100}$ New, W:Add, Z:Discontinued, F:Interchangeable by set, K:Qty Change
 Copyright (C) 2019 YANMAR GLOBAL CS CO., LTD. All Rights Reserved.

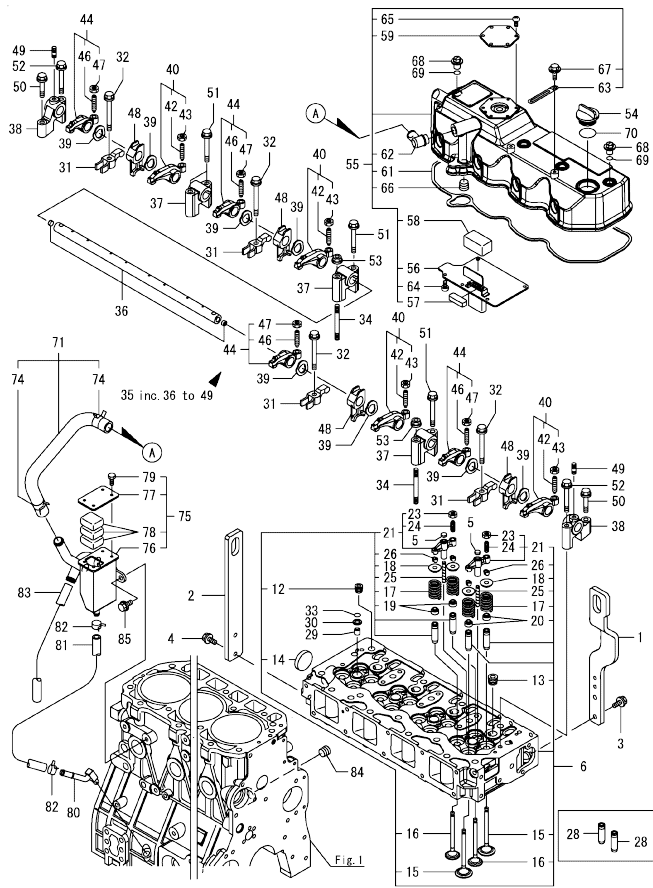
OCD50-M04410 ENGINE
 Fig.3. OIL SUMP

OCD50-M04410 Fig.3



No.	Lev.	Parts No.	Description	Q'ty					
				(A)	(B)	(C)	(D)	(E)	(F)
1	1	129956-01731	OIL PAN	1					
2	1	129972-01731	BOLT, M8X150	2					
3	1	129956-01760	COVER ASSY, OIL PAN	1					
4	2	105425-01690	PLUG, DRAIN M16	2					
6	2	22190-160002	WASHER, SEAL 16	2					
7	1	129693-44310	BOLT, COOLER	16					
8	1	22190-080002	WASHER, SEAL 8	4					
9	1	26106-080252	BOLT, M8X 25 PLATED	14					
10	1	26106-080852	BOLT, M8X 85 PLATED	3					
11	1	129968-01640	CASE ASSY, OIL SEAL	1					
13	2	129916-01790	SEAL, D115/95XT11	1					
14	1	26106-080302	BOLT, M8X 30 PLATED	9					

Fig.4. CYLINDER HEAD & BONNET



(A)=4TNV98T-ZNAT
(B)=
(C)=

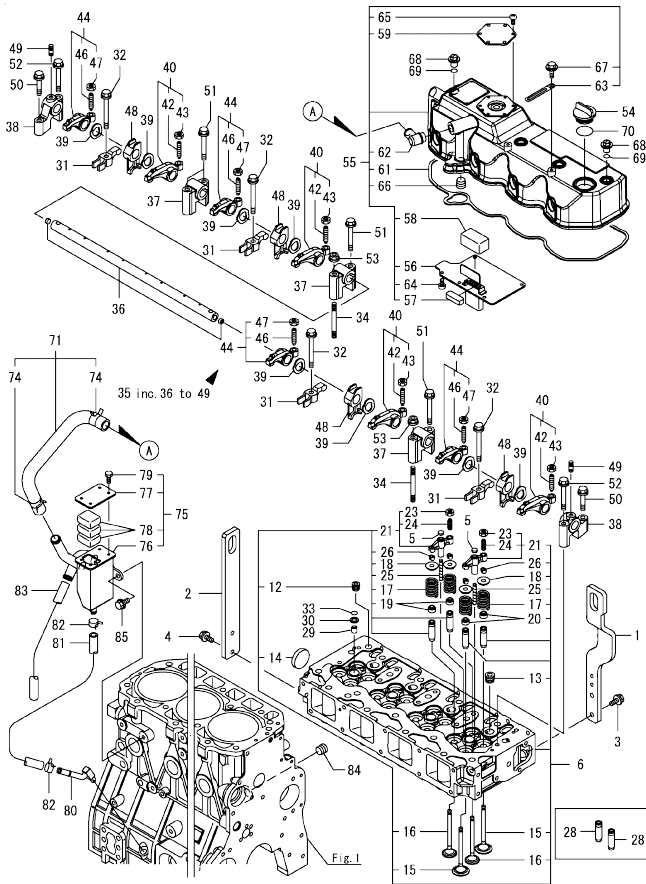
(D)=
(E)=
(F)=

No.	Lev.	Parts No.	Description	(A)	(B)	(C)	(D)	(E)	(F)	Q'ty	I	R
1	1	129973-07901	LIFTER							1		
2	1	129973-07910	LIFTER							1		
3	1	26106-080202	BOLT, M8X 20 PLATED							2		
4	1	26106-080202	BOLT, M8X 20 PLATED							2		
5	1	123907-11550	SEAT, VALVE BRIDGE							8		
6	1	129928-11700	HEAD ASSY, CYLINDER							1		
12	2	23876-020000	PLUG, R02							1		
13	2	23876-030000	PLUG, R03							4		
14	2	27241-400000	PLUG, 40							1		
15	2	129907-11100	VALVE, INTAKE							8		
16	2	129907-11110	VALVE, EXHAUST							8		
17	2	129907-11120	SPRING, VALVE							16		
18	2	119620-11180	RETAINER, SPRING							16		
19	2	119803-11340	SEAL, VALVE STEM							8		
20	2	124160-11340	SEAL, VALVE STEM							8		
21	2	129907-11510	BRIDGE ASSY, VALVE							8		
23	3	129150-11750	NUT, M8XP1.0							8		
24	3	123907-11830	ADJUSTER, BRIDGE							8		
25	2	123907-11820	GUIDE, BRIDGE							8		
26	2	27310-070001	COTTER, 7							16		
28	1	129907-11800	GUIDE, VALVE							16		1
29	1	119802-11870	PROTECTOR, NOZZLE							4		
30	1	119625-11880	SEAT, NOZZLE							4		
31	1	129907-11960	RETAINER, NOZZLE							4		
32	1	129907-11950	BOLT, VALVE HOLDER							4		
33	1	24311-000120	O-RING, 1AP12.0							4		
34	1	119593-11301	STUD, M8X80							2		
35	1	129907-11341	SUPPORT ASSY, ROCKER							1		
36	2	129907-11250	SHAFT, ROCKER ARM							1		
37	2	129907-11260	SUPPORT, ROCKER A							3		
38	2	129907-11270	SUPPORT, ROCKER B							2		
39	2	123907-11280	WASHER, WAVE							8		
40	2	129907-11650	ARM ASSY, ROCKER INT							4		
42	3	129150-11230	SCREW, VALVE ADJUST							4		
43	3	129150-11750	NUT, M8XP1.0							4		
44	2	129907-11660	ARM ASSY, ROCKER EXH							4		
46	3	129150-11230	SCREW, VALVE ADJUST							4		
47	3	129150-11750	NUT, M8XP1.0							4		
48	2	129907-11920	RETAINER, NOZZLE							4		
49	2	26226-080222	STUD, M8X 22							2		
50	1	26106-080402	BOLT, M8X 40 PLATED							2		
51	1	26106-080602	BOLT, M8X 60 PLATED							4		
52	1	26106-080602	BOLT, M8X 60 PLATED							2		
53	1	26306-080002	NUT, M8							2		
54	1	124160-01751	CAP, FILLER							1		
55	1	129973-11320	BONNET ASSY, HEAD							1		
56	2	129907-03011	PLATE, BAFFLE							1		
57	2	129907-03061	BAFFLE, BREATHER							1		
58	2	129907-03070	BAFFLE, BREATHER							1		
59	2	123908-03199	PLATE, BREATHER							1		
61	2	129933-11310	GASKET, BONNET							1		

Remarks
(1)Spare parts.

N:Old $\frac{New}{Old}$ New, Q:Old $\frac{New}{Old}$ New, R:Old $\frac{New}{Old}$ New, S:Old $\frac{New}{Old}$ New, W:Add, Z:Discontinued, F:Interchangeable by set, K:Q'ty Change
 ++ CONTINUE ++
 Copyright (C) 2019 YANMAR GLOBAL CS CO., LTD. All Rights Reserved.

Fig.4. CYLINDER HEAD & BONNET



(A)=4TNV98T-ZNAT
(B)=
(C)=

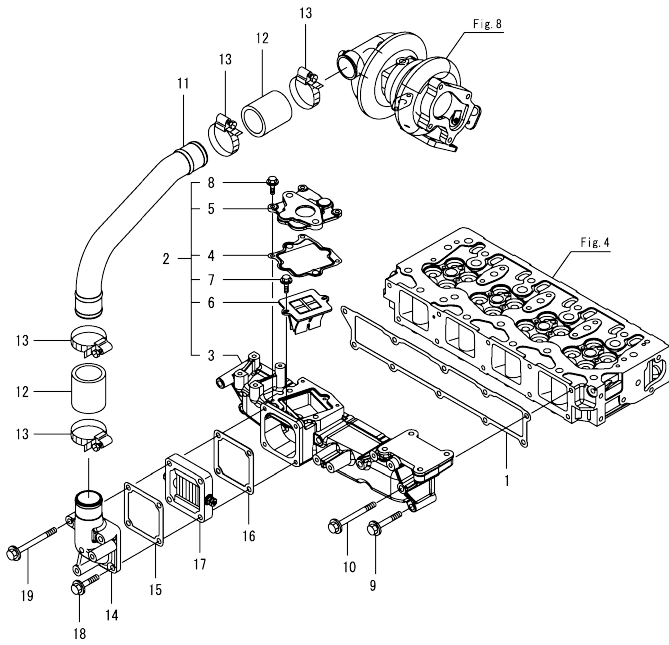
(D)=
(E)=
(F)=

No.	Lev.	Parts No.	Description	Q'ty						I	R
				(A)	(B)	(C)	(D)	(E)	(F)		
62	2	119100-11330	ELBOW, BREATHER	1							
63	2	129509-79700	CLAMP, 140-M6	1							
64	2	22857-500100	SCREW, 5X10	6							
65	2	22857-500120	SCREW, 5X12	6							
66	2	23876-030000	PLUG, R03	1							
67	2	26106-060122	BOLT, M6X 12 PLATED	1							
68	1	124160-11360	KNOB, BONNET	4							
69	1	24311-000120	O-RING, 1AP12.0	4							
70	1	24311-000320	O-RING, 1AP32.0	1							
71	1	129973-03030	HOSE ASSY, BREATHER	1							
74	2	129410-03990	CLAMP, HOSE 21.5	2							
75	1	129972-03200	SEPARATOR ASSY, MIST	1							
76	2	129972-03210	SEPARATOR, MIST	1							
77	2	129972-03220	COVER, SEPARATOR	1							
78	2	123901-03240	FILTER	3							
79	2	26116-050102	BOLT, M5X 10 PLATED	4							
80	1	129972-03280	JOINT, BREATHER	1							
81	1	129972-03310	HOSE, RETURN	1							
82	1	23000-022000	CLAMP, 22	2							
83	1	23065-160500	PIPE, 16X 500	1							
84	1	23876-030000	PLUG, R03	1							
85	1	26106-080142	BOLT, M8X 14 PLATED	2							

Remarks

(1)Spare parts.

Fig.5. SUCTION MANIFOLD

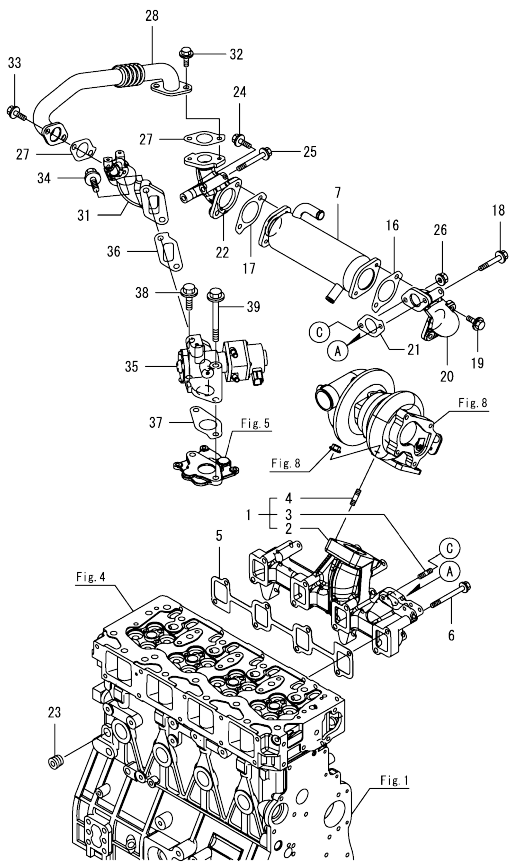


(A)=4TNV98T-ZNAT
(B)=
(C)=

(D)=
(E)=
(F)=

No.	Lev.	Parts No.	Description	Q'ty						I	R
				(A)	(B)	(C)	(D)	(E)	(F)		
1	1	129907-12110	GASKET, MANIFOLD	1							
2	1	129973-12161	MANIFOLD CMP,INTAKE	1							
3	2	129973-12102	MANIFOLD,INTAKE	1							
4	2	129973-12110	GASKET, EGR-V SPACER	1							
5	2	129973-12200	SPACER, EGR VALVE	1							
6	2	129928-13700	VALVE, REED	1							
7	2	26106-060142	BOLT, M6X 14 PLATED	2							
8	2	26106-060182	BOLT, M6X 18 PLATED	3							
9	1	26106-080552	BOLT, M8X 55 PLATED	5							
10	1	26106-080852	BOLT, M8X 85 PLATED	5							
11	1	129973-18200	DUCT, AIR	1							
12	1	123951-18220	JOINT, RUBBER B	2							
13	1	23000-054000	CLAMP, 54	4							
14	1	129973-12860	BEND, INTAKE	1							
15	1	119129-77020	GASKET, AIR HEATER	1							
16	1	121850-77021	GASKET, AIR HEATER	1							
17	1	119005-77051	HEATER, AIR	1							
18	1	26106-080402	BOLT, M8X 40 PLATED	2							
19	1	26106-080702	BOLT, M8X 70 PLATED	2							

Fig.6. EXHAUST MANIFOLD

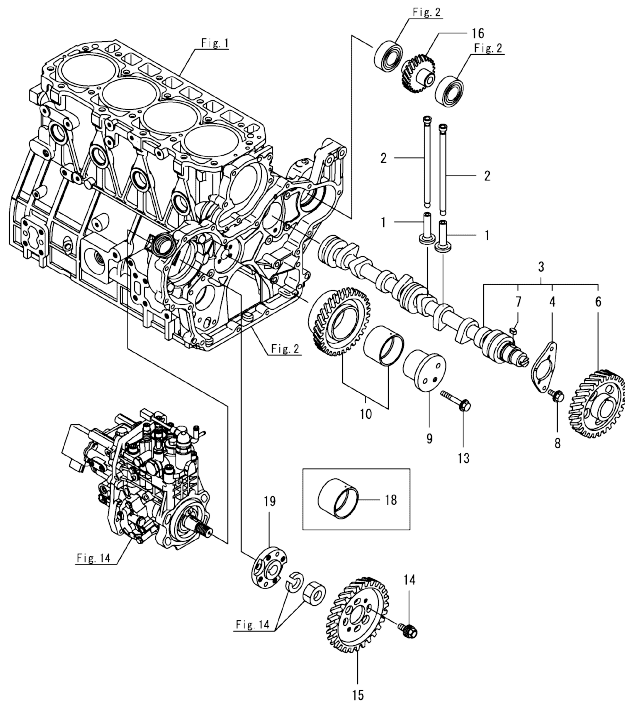


(A)=4TNV98T-ZNAT
(B)=
(C)=

(D)=
(E)=
(F)=

No.	Lev.	Parts No.	Description	Qty						I	R
				(A)	(B)	(C)	(D)	(E)	(F)		
1	1	129973-13150	MANIFOLD ASSY	1							
2	2	129973-13101	MANIFOLD, EXHAUST	1							
3	2	129418-18320	STUD, M8X20	1							
4	2	129418-18320	STUD, M8X20	4							
5	1	129900-13251	GASKET, MANIFOLD	1							
6	1	129E00-13640	BOLT, M8X80 10.9T	8							
7	1	129973-13400	COOLER, EGR	1							
16	1	129928-13410	GASKET, EGR COOLER	1							
17	1	129928-13410	GASKET, EGR COOLER	1							
18	1	129E00-13610	BOLT, M8X50	1							
19	1	119802-13791	BOLT, M8X25 10.9T	2							
20	1	129973-13801	BEND, COOLER INLET	1							
21	1	129927-13810	GASKET, EGR PIPE	1							
22	1	129973-13811	BEND, COOLER OUTLET	1							
23	1	23876-030000	PLUG, R03	1							
24	1	26106-080222	BOLT, M8X 22 PLATED	2							
25	1	26106-080652	BOLT, M8X 65 PLATED	2							
26	1	26306-080002	NUT, M8	1							
27	1	129927-13810	GASKET, EGR PIPE	2							
28	1	129973-13820	PIPE ASSY, EGR	1							
31	1	129973-13840	DUCT, EGR VALVE IN	1							
32	1	26106-080162	BOLT, M8X 16 PLATED	2							
33	1	26106-080162	BOLT, M8X 16 PLATED	2							
34	1	26106-100302	BOLT, M10X 30 PLATED	2							
35	1	129928-13900	VALVE, EGR	1							
36	1	129927-13910	GASKET, EGR	1							
37	1	129927-13920	GASKET, EGR	1							
38	1	26106-100402	BOLT, M10X 40 PLATED	1							
39	1	26106-101052	BOLT, M10X105 PLATED	1							

Fig.7. CAMSHAFT & DRIVING GEAR



(A)=4TNV98T-ZNAT
(B)=
(C)=

(D)=
(E)=
(F)=

No.	Lev.	Parts No.	Description	Q'ty						I	R
				(A)	(B)	(C)	(D)	(E)	(F)		
1	1	129150-14200	TAPPET	8							
2	1	129907-14400	ROD, PUSH	8							
3	1	129908-14590	CAMSHAFT ASSY	1							
4	2	129150-02450	METAL, THRUST	1							
6	2	129900-14110	GEAR, CAMSHAFT	1							
7	2	22512-070140	KEY, 7X 14	1							
8	1	26106-080142	BOLT, M8X 14 PLATED	2							
9	1	123900-25060	SHAFT, IDLE GEAR	1							
10	1	129927-25110	GEAR ASSY, IDLE	1							
13	1	26106-080552	BOLT, M8X 55 PLATED	3							
14	1	129953-25300	BOLT, PUMP BODY	4							
15	1	129907-25900	GEAR, PUMP	1							
16	1	129900-26030	GEAR ASSY, PUMP	1							
18	1	129927-25920	BUSH, IDLE GEAR	1							1
19	1	158563-51150	FLANGE	1							

Remarks

(1)Spare parts.

OCD50-M04410 ENGINE
 Fig.8. TURBINE

OCD50-M04410 Fig.8

(A)=4TNV98T-ZNAT
 (B)=
 (C)=

(D)=
 (E)=
 (F)=

No.	Lev.	Parts No.	Description	Q'ty						I	R
				(A)	(B)	(C)	(D)	(E)	(F)		
1	1	129935-18011	TURBINE, RHF5	1							
2	1	129472-18090	GASKET, TURBINE IN	1							
3	1	119131-18320	STUD, M8X22	4							
4	1	26306-080002	NUT, M8	4							

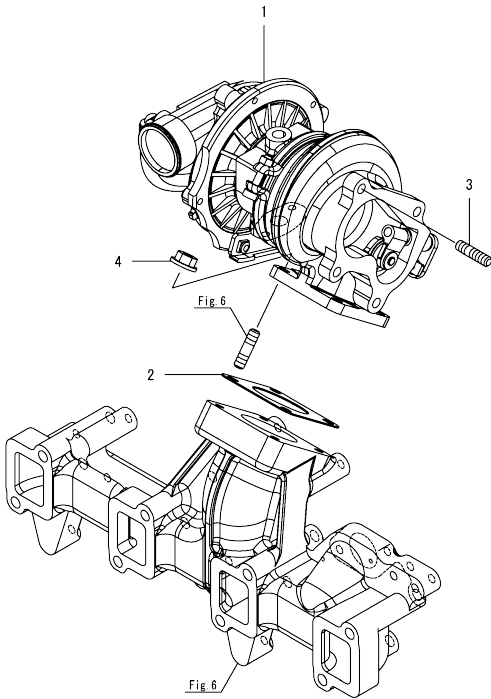
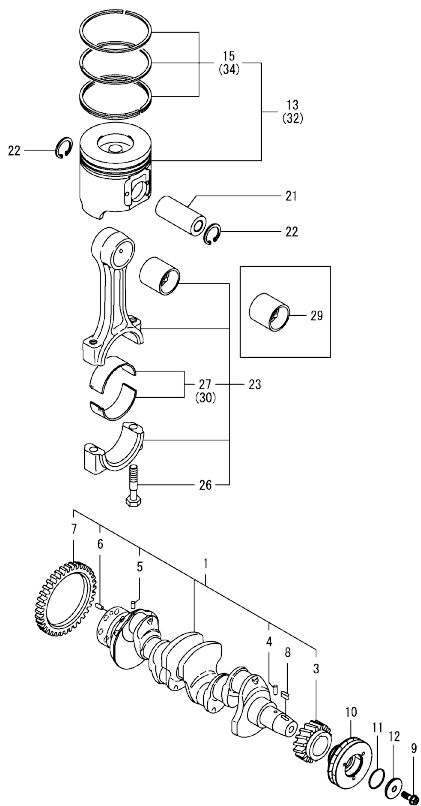


Fig.9. CRANKSHAFT & PISTON



(A)=4TNV98T-ZNAT
(B)=
(C)=

(D)=
(E)=
(F)=

No.	Lev.	Parts No.	Description	Q'ty						I	R
				(A)	(B)	(C)	(D)	(E)	(F)		
1	1	129942-21000	CRANKSHAFT ASSY	1							
3	2	129900-21220	GEAR, CRANKSHAFT	1							
4	2	121850-21290	PIN, CRANK GEAR	1							
5	2	121850-21290	PIN, CRANK GEAR	1							
6	2	121850-21920	PIN, PARALLEL 10X22	1							
7	2	129956-28321	GEAR, BALANCER DRIVE	1							
8	1	22512-070140	KEY, 7X 14	1							
9	1	129916-21610	BOLT, V-PULLEY	1							
10	1	129907-21650	V-PULLEY, CRANKSHAFT	1							
11	1	129960-21930	GASKET, WASHER	1							
12	1	129960-21940	WASHER, V-PULLEY	1							
13	1	129928-22080	PISTON ASSY	4							
15	2	129927-22050	RING SET, PISTON	4							
21	1	120130-22301	PIN, PISTON	4							
22	1	22252-000300	RING, 30	8							
23	1	129900-23001	ROD ASSY, CONNECTING	4							
26	2	129900-23200	BOLT, CONNECTING ROD	8							
27	2	129927-23600	BEARING ASSY, PIN	4							
29	1	129900-23911	METAL, PISTON PIN	4							1
30	1	129927-23610	BEARING ASSY, PIN US	4							2
32	1	729928-22900	PISTON ASSY, 0.25 OS	4							3
34	2	729927-22950	RING SET, PISTON .25	4							3

Remarks
(1)Spare parts.
(2)Under-sized(U.S.=0.25) parts.
(3)Over-sized(O.S.=0.25) parts.

OCD50-M04410 ENGINE
 Fig.10. BALANCER

OCD50-M04410 Fig.10

(A)=4TNV98T-ZNAT
 (B)=
 (C)=

(D)=
 (E)=
 (F)=

No.	Lev.	Parts No.	Description	Q'ty						I	R
				(A)	(B)	(C)	(D)	(E)	(F)		
1	1	129795-01960	PIPE, KNOCK 11X12	2							
2	1	129956-28009	BALANCER ASSY	1							
2-1	1	129956-28030	BALANCER ASSY	1							R
(A=E155347)											
3	2	128610-14120	NUT, END	1							
4	2	121850-21290	PIN, CRANK GEAR	2							
5	2	121850-21290	PIN, CRANK GEAR	1							
6	2	129956-28019	CASE ASSY, BALANCER	1							
6-1	2	129956-28040	CASE ASSY, BALANCER	1							R
(A=E155347)											
10	2	129956-28101	SHAFT, BALANCER A	1							
11	2	129956-28111	SHAFT, BALANCER B	1							
12	2	129956-28180	PLATE, THRUST	2							
13	2	129956-28332	GEAR, BALANCER DRIVE	1							
14	2	129956-28341	GEAR, BALANCER	2							
15	2	23876-005000	PLUG, R005	1							
16	2	26106-080142	BOLT, M8X 14 PLATED	4							
17	1	24311-000200	O-RING, 1AP20.0	1							
18	1	26106-080602	BOLT, M8X 60 PLATED	6							

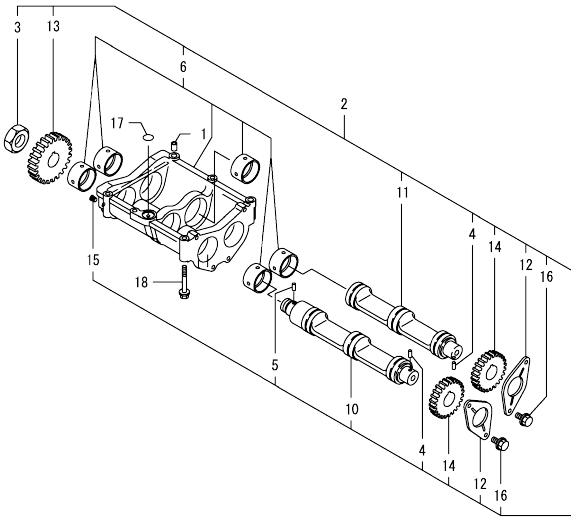
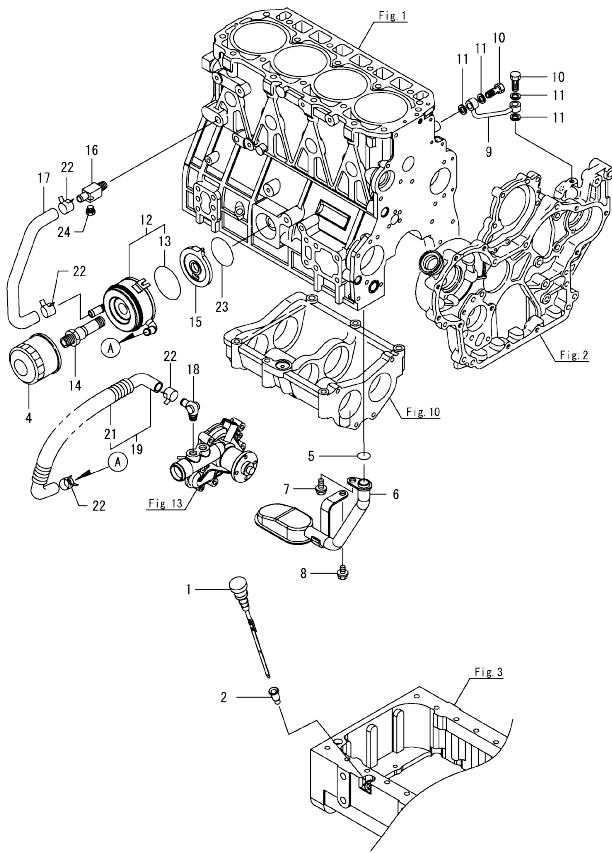


Fig.11. LUB. OIL SYSTEM

(A)=4TNV98T-ZNAT
(B)=
(C)=

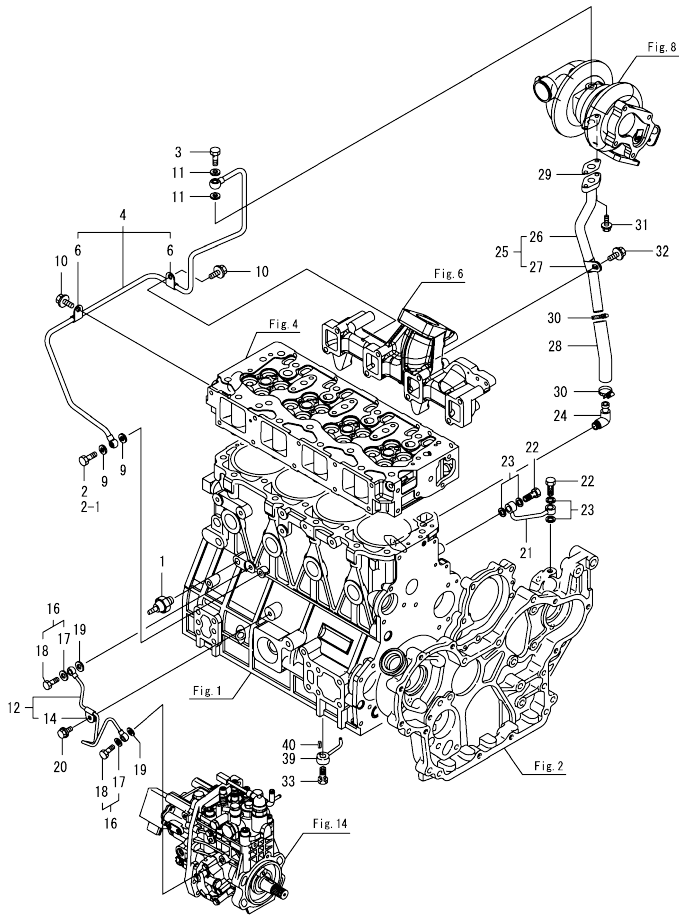
(D)=
(E)=
(F)=



No.	Lev.	Parts No.	Description	Q'ty						I	R
				(A)	(B)	(C)	(D)	(E)	(F)		
1	1	129963-34800	DIPSTICK, OIL	1							
2	1	119860-34810	GUIDE, DIPSTICK	1							
4	1	129150-35153	FILTER ASSY, D80X80L	1							1
5	1	129900-32030	O-RING, P20	1							
6	1	129956-35100	PIPE ASSY, OIL INLET	1							
7	1	26106-080142	BOLT, M8X 14 PLATED	1							
8	1	26106-080202	BOLT, M8X 20 PLATED	1							
9	1	129930-39050	PIPE, HO PUMP	1							
10	1	105010-39140	BOLT, PIPE JOINT M8	2							
11	1	22190-080002	WASHER, SEAL 8	4							
12	1	129908-33010	COOLER ASSY, OIL	1							
13	2	123912-33050	O-RING	1							
14	1	123912-33100	BOLT, COOLER	1							
15	1	129908-33101	BRACKET, COOLER	1							
16	1	129006-44480	JOINT, R02	1							
17	1	129908-49060	HOSE, WATER	1							
18	1	129466-49300	ELBOW, PT3/8	1							
19	1	123910-49600	HOSE ASSY, WATER	1							
21	2	123910-49610	TUBE, CORRUGATED	1							
22	1	23000-025000	CLAMP, 25	4							
23	1	24321-000600	O-RING, 1AG60.0	1							
24	1	171056-49120	PLUG, DRAIN R1/4	1							

Remarks
(1)Spare parts.

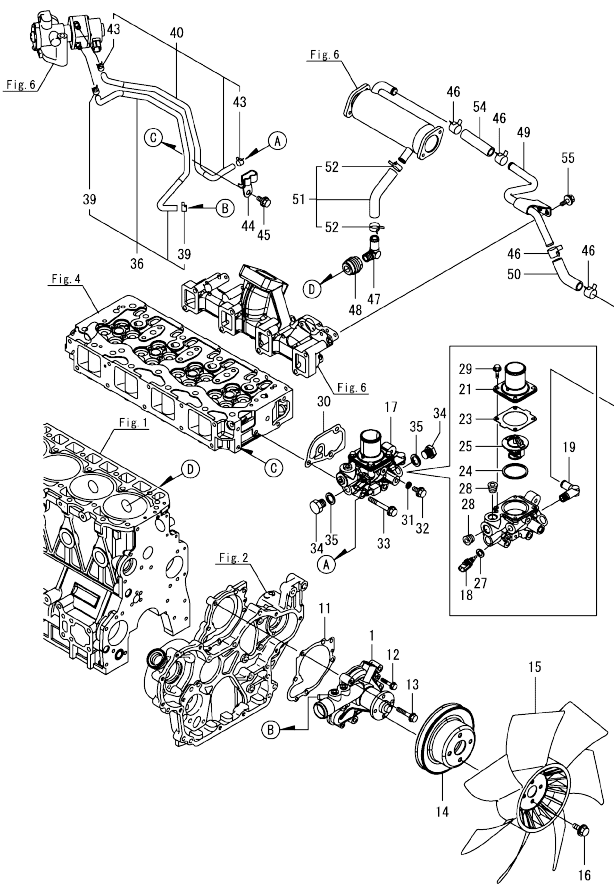
Fig.12. LUB. OIL PIPE



No.	Lev.	Parts No.	Description	Q'ty						I	R
				(A)	(B)	(C)	(D)	(E)	(F)		
1	1	114250-39450	SWITCH, HYDRAULIC	1							
2	1	105010-39140	BOLT, PIPE JOINT M8	1							
2-1	1	129198-59540	BOLT, PIPE JOINT M8	1							S
(A=*2020.06)											
3	1	121252-39150	BOLT, JOINT M10X1.5	1							
4	1	129973-39450	PIPE ASSY, OIL	1							
6	2	124223-39900	RETAINER	2							
9	1	22190-080002	WASHER, SEAL 8	2							
10	1	23414-100000	BOLT, JOINT 3	2							
11	1	26106-080122	WASHER, SEAL 8	2							
12	1	129927-39060	PIPE ASSY, OIL	1							
14	2	123907-39500	RETAINER, PIPE	1							
16	1	129005-59830	BOLT ASSY, JOINT M8	2							
17	2	22190-080002	WASHER, SEAL 8	2							
18	2	23857-030000	BOLT, JOINT 3	2							
19	1	22190-080002	WASHER, SEAL 8	2							
20	1	26106-080122	BOLT, M8X 12 PLATED	1							
21	1	129930-39050	PIPE, HO PUMP	1							
22	1	105010-39140	BOLT, PIPE JOINT M8	2							
23	1	22190-080002	WASHER, SEAL 8	4							
24	1	124070-13300	ELBOW, PT3/8	1							
25	1	129973-39610	PIPE ASSY, RETURN	1							
26	2	129973-39650	PIPE, OIL RETURN	1							
27	2	123910-39850	RETAINER	1							
28	1	129973-39640	JOINT, OIL RETURN	1							
29	1	129908-39690	GASKET, RETURN PIPE	1							
30	1	23000-025000	CLAMP, 25	2							
31	1	26106-060162	BOLT, M6X 16 PLATED	2							
32	1	26106-080122	BOLT, M8X 12 PLATED	1							
33	1	129908-39410	VALVE ASSY, CHECK	4							
39	1	119000-39650	NOZZLE, COOLING	4							
40	1	22351-030010	PIN, SPRING 3.0X10	4							

N:Old $\frac{100}{100}$ New, Q:Old $\frac{100}{100}$ New, R:Old $\frac{100}{100}$ New, S:Old $\frac{100}{100}$ New, W:Add, Z:Discontinued, F:Interchangeable by set, K:Qty Change
 Copyright (C) 2019 YANMAR GLOBAL CS CO., LTD. All Rights Reserved.

Fig.13. COOLING WATER SYSTEM



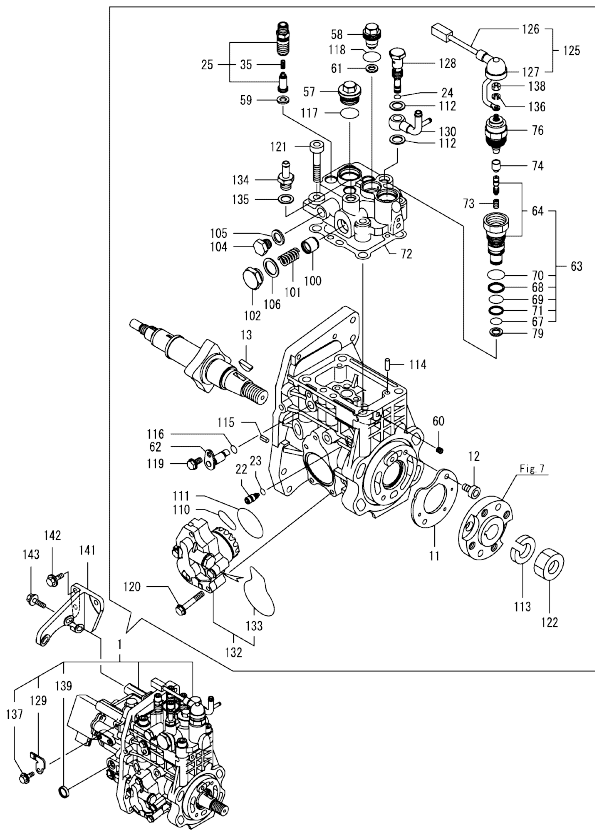
No.	Lev.	Parts No.	Description	Q'ty						I	R
				(A)	(B)	(C)	(D)	(E)	(F)		
1	1	129927-42002	PUMP ASSY, CW	1							
11	1	129900-42020	GASKET, WATER PUMP	1							
12	1	26106-060302	BOLT, M6X 30 PLATED	2							
13	1	26106-080552	BOLT, M8X 55 PLATED	5							
14	1	129900-42462	V-PULLEY, PUMP	1							
15	1	129907-44740	FAN, COOLING D=430X7	1							
16	1	26106-080122	BOLT, M8X 12 PLATED	4							
17	1	129949-49850	CASE ASSY, THERMOSTAT	1							
18	2	129927-44900	SENSOR, TEMPERATURE	1							
19	2	129973-49400	ELBOW, R3/8	1							
21	2	129916-49530	COVER, THERMOSTAT	1							
23	2	121850-49540	GASKET, THERMOSTAT	1							
24	2	121850-49550	GASKET, THERMOSTAT	1							
25	2	121850-49811	THERMOSTAT, 71C	1							
27	2	22190-120002	WASHER, SEAL 12	1							
28	2	23875-030000	PLUG, R03	2							
29	2	26106-060202	BOLT, M6X 20 PLATED	4							
30	1	129900-49870	GASKET, THERMOSTAT	1							
31	1	23414-080000	GASKET, 8X1.0	1							
32	1	26106-080122	BOLT, M8X 12 PLATED	1							
33	1	26106-080602	BOLT, M8X 60 PLATED	3							
34	1	121450-42450	PLUG, M16	2							
35	1	124465-44950	GASKET, 16	2							
36	1	129968-49610	PIPE ASSY, EGR-V A	1							
39	2	23080-012000	CLAMP, 12	2							
40	1	129968-49620	PIPE ASSY, EGR-V B	1							
43	2	23080-012000	CLAMP, 12	2							
44	1	129968-49850	RETAINER, PIPE	1							
45	1	26106-080142	BOLT, M8X 14 PLATED	1							
46	1	23000-022000	CLAMP, 22	4							
47	1	124070-13300	ELBOW, PT3/8	1							
48	1	129973-49110	JOINT, NPTF1	1							
49	1	129973-49640	PIPE, EGR COOLER OUT	1							
50	1	129973-49680	PIPE, EGR-C OUTLET B	1							
51	1	129973-49740	PIPE, EGR COOLER IN	1							
52	2	129960-03990	CLAMP, HOSE 19.8	2							
54	1	129973-49780	JOINT, COOLER OUT A	1							
55	1	26106-080162	BOLT, M8X 16 PLATED	2							

N:Old $\frac{100}{100}$ New, Q:Old $\frac{100}{100}$ New, R:Old $\frac{100}{100}$ New, S:Old $\frac{100}{100}$ New, W:Add, Z:Discontinued, F:Interchangeable by set, K:Qty Change
 Copyright (C) 2019 YANMAR GLOBAL CS CO., LTD. All Rights Reserved.

Fig.14. FUEL INJECTION PUMP

(A)=4TNV98T-ZNAT
(B)=
(C)=

(D)=
(E)=
(F)=



No.	Lev.	Parts No.	Description	(A)	(B)	(C)	(D)	(E)	(F)	I	R
1	1	729973-51410	FIE ASSY	1							1
11	2	129928-51900	COVER, OIL	1							
12	2	129008-51920	BOLT, M6X10	2							
13	2	144626-51090	KEY, FEATHER 5X19	1							
22	2	158600-51270	STOPPER, TAPPET	1							
23	2	158563-51281	O-RING, 4D S6	1							
24	2	158563-51281	O-RING, 4D S6	1							
25	2	129928-51390	VALVE ASSY, DELIVERY	4							
35	3	158563-51330	SPRING, DELIVERY	4							
57	2	158601-51550	PLUG, M22	1							
58	2	129907-51560	PLUG, M16	1							
59	2	158552-51571	GASKET, BARREL PLUG	4							
60	2	158557-51570	PLUG, RACK	1							
61	2	129906-51580	GASKET, BARREL PLUG	1							
62	2	158552-51580	LIFTER, LINK	1							
63	2	129657-51590	TIMER ASSY	1							
64	3	129657-51600	TIMER ASSY	1							
67	3	158553-51670	O-RING, PUMP TIMER	1							
68	3	119802-51680	RING, BACKUP	1							
69	3	119802-51690	O-RING, 1016	1							
70	3	24356-190200	O-RING, 4D19020	1							
71	3	24372-000150	RING, BACK UP T2P15	1							
72	2	158560-51600	GASKET, HEAD	1							
73	2	119852-51630	SPRING, TIMER	1							
74	2	119852-51640	CAP, TIMER	1							
76	2	119852-51650	VALVE ASSY, SOLENOID	1							
79	2	158553-51680	GASKET, TIMER	1							
100	2	158601-51770	PISTON, ACCUMULATOR	1							
101	2	158552-51781	SPRING, ACCUMULATOR	1							
102	2	158601-51790	PLUG, ACCUMULATOR	1							
104	2	158553-51930	PLUG, M12	1							
105	2	22190-120002	WASHER, SEAL 12	1							
106	2	22190-180002	WASHER, SEAL 18	1							
110	2	158552-52311	O-RING, FEED PUMP	1							
111	2	158552-52400	O-RING, 4E S42	1							
112	2	22190-120002	WASHER, SEAL 12	2							
113	2	22217-180000	WASHER, SPRING 18	1							
114	2	22312-050140	PIN, PARALLEL 5X14	2							
115	2	22351-050010	PIN, SPRING 5.0X10	2							
116	2	24311-000070	O-RING, 1AP7.0	1							
117	2	24356-190200	O-RING, 4D19020	1							
118	2	24356-240210	O-RING, 4D24021	1							
119	2	26106-060102	BOLT, M6X 10 PLATED	1							
120	2	26106-060352	BOLT, M6X 35 PLATED	4							
121	2	26450-100452	BOLT, M10X 45	4							
122	2	26776-180002	NUT, LOCK M18	1							
125	2	129927-51650	HARNESS ASSY, WIRE	1							
126	3	129927-51660	HARNESS	1							
127	3	129263-77941	CAP, RUBBER	1							
128	2	158601-51650	JOINT, OVERFLOW	1							
129	2	129927-51670	BRACKET	1							

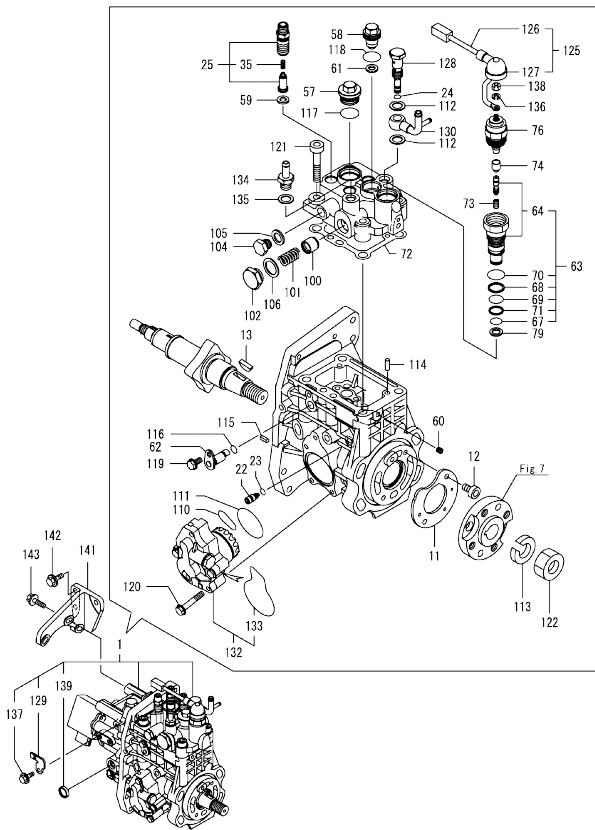
Remarks

(1)Governor(Fig.15) is incorporated in this Fuel Injection Pump(No.1).
(1)Eco pump
Make sure to update the engines ECU information when replacing the Eco pump.
Failing to do so will result in engine malfunction.

Fig.14. FUEL INJECTION PUMP

(A)=4TNV98T-ZNAT
(B)=
(C)=

(D)=
(E)=
(F)=



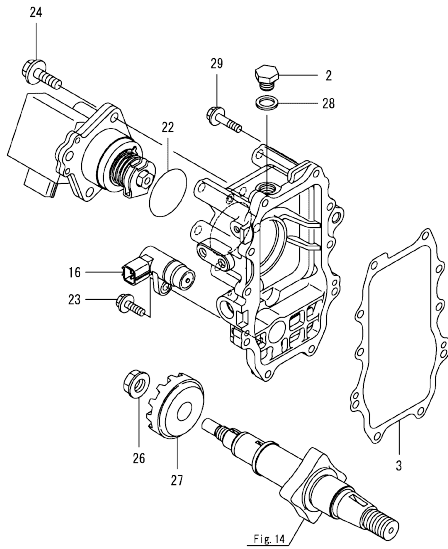
No.	Lev.	Parts No.	Description	Q'ty					
				(A)	(B)	(C)	(D)	(E)	(F)
130	2	158552-51670	JOINT, OVERFLOW	1					
132	2	158552-52100	PUMP ASSY, FUEL FEED	1					
133	3	158552-52500	O-RING, PUMP INNER	1					
134	2	119934-59910	JOINT, PIPE	1					
135	2	22190-120002	WASHER, SEAL 12	1					
136	2	22217-050000	WASHER, SPRING 5	1					
137	2	26106-060122	BOLT, M6X 12 PLATED	1					
138	2	26716-050002	NUT, M5	1					
139	2	27241-160000	PLUG, 16	1					
141	1	129927-51250	RETAINER, FUEL PUMP	1					
142	1	26106-080202	BOLT, M8X 20 PLATED	3					
143	1	26106-080302	BOLT, M8X 30 PLATED	3					

Remarks

(1)Governor(Fig.15) is incorporated in this Fuel Injection Pump(No.1).
(1)Eco pump
Make sure to update the engines ECU information when replacing the Eco pump.
Failing to do so will result in engine malfunction.

OCD50-M04410 ENGINE
 Fig.15. GOVERNOR

OCD50-M04410 Fig.15



(A)=4TNV98T-ZNAT
 (B)=
 (C)=

(D)=
 (E)=
 (F)=

No.	Lev.	Parts No.	Description	Q'ty						
				(A)	(B)	(C)	(D)	(E)	(F)	
2	2	158553-51930	PLUG, M12	1						
3	2	158560-61050	GASKET, CASE	1						
16	2	158557-61720	SENSOR, ROTATION	1						
22	2	24341-000480	O-RING, 1AS48.0	1						
23	2	26106-060162	BOLT, M6X 16 PLATED	1						
24	2	26106-080252	BOLT, M8X 25 PLATED	3						
26	2	129008-61301	NUT, SUPPORT	1						
27	2	158553-61780	GEAR, SENSOR	1						
28	2	22190-120002	WASHER, SEAL 12	1						
29	2	26106-060252	BOLT, M6X 25 PLATED	10						

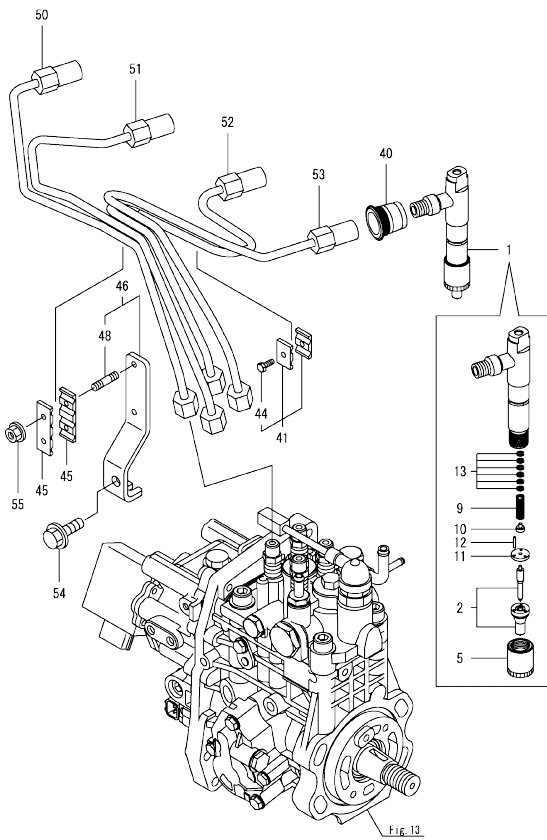
Remarks
 * This figure(Governor) is incorporated in the Fuel Injection Pump(Fig.14).

N:Old $\frac{100}{100}$ New, Q:Old $\frac{100}{100}$ New, R:Old $\frac{100}{100}$ New, S:Old $\frac{100}{100}$ New, W:Add, Z:Discontinued, F:Interchangeable by set, K:Q'ty Change
 Copyright (C) 2019 YANMAR GLOBAL CS CO., LTD. All Rights Reserved.

Fig.16. FUEL INJECTION VALVE

(A)=4TNV98T-ZNAT
(B)=
(C)=

(D)=
(E)=
(F)=

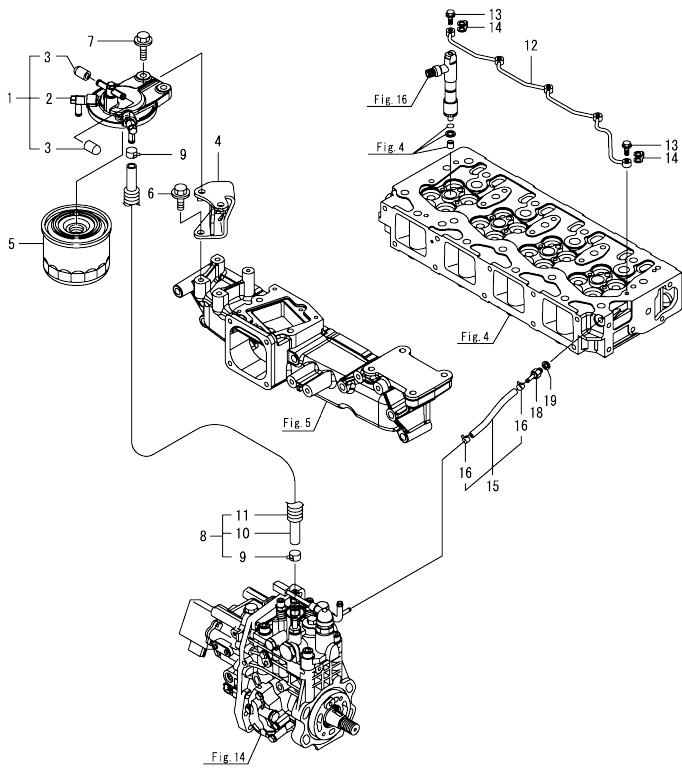


No.	Lev.	Parts No.	Description	Q'ty						I	R
				(A)	(B)	(C)	(D)	(E)	(F)		
1	1	729928-53100	VALVE ASSY,INJECTION	4							
2	2	129928-53000	VALVE ASSY,INJECTION	4							
5	2	114250-53080	NUT, NOZZLE	4							
9	2	114250-53120	SPRING, NOZZLE	4							
10	2	114250-53130	SEAT, SPRING	4							
11	2	114250-53140	SPACER, VALVE STOP	4							
12	2	114250-53210	PIN, POSITIONING	8							
13	2	119803-53400	SHIM SET	4							1
40	1	123907-11601	SEAL, PIPE	4							
41	1	119305-59120	RETAINER, PIPE	1							
44	2	129150-59131	BOLT, M4X14	1							
45	1	123472-59120	RETAINER, PIPE	2							
46	1	129973-59700	SUPPORT ASSY, CLAMP	1							
48	2	26216-060202	STUD, M6X 20	2							
50	1	129973-59810	PIPE ASSY, INJECTION	1							
51	1	129973-59820	PIPE ASSY, INJECTION	1							
52	1	129973-59830	PIPE ASSY, INJECTION	1							
53	1	129973-59840	PIPE ASSY, INJECTION	1							
54	1	26106-080202	BOLT, M8X 20 PLATED	1							
55	1	26366-060002	NUT, M6	2							

Remarks

(1)Spare parts.

Fig.17. FUEL PIPE

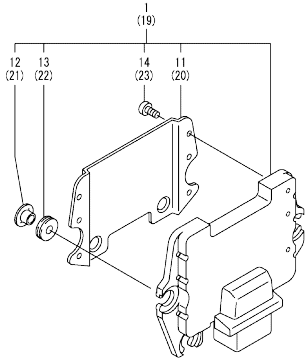


(A)=4TNV98T-ZNAT
(B)=
(C)=

(D)=
(E)=
(F)=

No.	Lev.	Parts No.	Description	Q'ty						I	R
				(A)	(B)	(C)	(D)	(E)	(F)		
1	1	129973-55610	BRACKET ASSY, FILTER	1							
2	2	119934-55611	BRACKET, FILTER	1							
3	2	129461-59580	CAP, FUEL	2							
4	1	129973-55650	STAY, FUEL FILTER	1							
5	1	129907-55801	FILTER, FUEL	1							
6	1	26106-080202	BOLT, M8X 20 PLATED	2							
7	1	26106-080302	BOLT, M8X 30 PLATED	2							
8	1	129972-59010	PIPE ASSY, FUEL L420	1							
9	2	124766-59050	CLAMP, HOSE 11.5	2							
10	2	129972-59090	PIPE, FUEL D13X420	1							
11	2	129950-59221	TUBE, CORRUGATED 15	1							
12	1	129907-59140	PIPE ASSY, RETURN	1							
13	1	123907-59540	BOLT, PIPE JOINT M6	5							
14	1	123907-59550	GASKET, FUEL RETURN	5							
15	1	129486-59551	HOSE ASSY, RETURN	1							
16	2	124722-59050	CLAMP, HOSE 9	2							
18	1	123907-59560	JOINT, HOSE	1							
19	1	22190-080002	WASHER, SEAL 8	1							

Fig.18. ELECTRONIC CONTROL UNIT(ECU)



(A)=4TNV98T-ZNAT
(B)=
(C)=

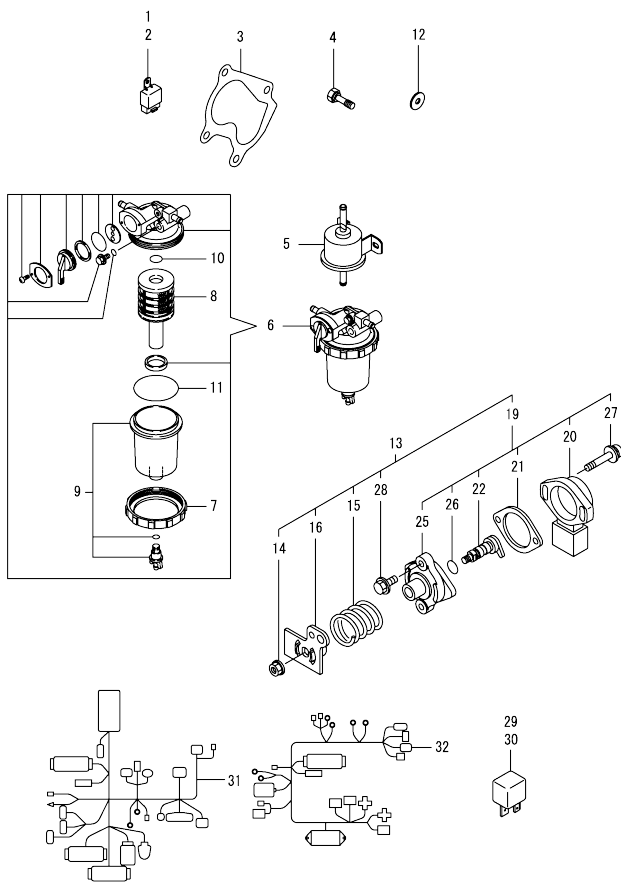
(D)=
(E)=
(F)=

No.	Lev.	Parts No.	Description	Q'ty						I	R
				(A)	(B)	(C)	(D)	(E)	(F)		
1	1	129973-75170	ECU ASSY,4-98T-ZNAT	1							1
11	2	129927-77600	SHIELD, ECU	1							
12	2	129927-77680	COLLAR, CONTROLLER	3							
13	2	119578-91351	RUBBER, CONTROLLER	3							
14	2	22877-500080	SCREW, 5X 8	6							
19	1	129927-75901	ECU ASSY, SERVICE	1							2
20	2	129927-77600	SHIELD, ECU	1							
21	2	129927-77680	COLLAR, CONTROLLER	3							
22	2	119578-91351	RUBBER, CONTROLLER	3							
23	2	22877-500080	SCREW, 5X 8	6							

Remarks

- (1)Eco ECU
This part cannot be ordered.
- Replace the part using a Service ECU with the proper engine information installed.
- (2)Service ECU
If the proper information is not installed, the engine will not operate.
- To install proper information, go to an authorized distributor.

Fig.19. ACCESSORY



No.	Lev.	Parts No.	Description	Q'ty					
				(A)	(B)	(C)	(D)	(E)	(F)
1	1	172B02-17150	RELAY, CA TYPE C	1					
2	1	172B02-17150	RELAY, CA TYPE C	1					
3	1	123901-18080	GASKET, TURBINE OUT	1					
4	1	121850-21130	BOLT, FLYWHEEL	6					
5	1	119225-52102	PUMP, FUEL FEED	1					
6	1	119802-55700	SEPARATOR ASSY,WATER	1					
7	2	129100-55690	NUT, RETAINING	1					
8	2	119802-55710	ELEMENT, FUEL	1					
9	2	119802-55730	CUP ASSY, SEPARATOR	1					
10	2	24311-000160	O-RING, 1AP16.0	1					
11	2	24321-000650	O-RING, 1AG65.0	1					
12	1	129927-77690	WASHER, ECU	3					
13	1	129A22-77800	SENSOR ASSY, ACCEL	1					
14	2	194990-22130	NUT, M6	1					
15	2	119060-61990	SPRING, RETURN	1					
16	2	129A22-77820	LEVER ASSY, ACCEL	1					
19	2	129A22-77890	SENSOR ASSY, ACCEL	1					
20	3	185100-50070	SENSOR, ACCELERATOR	1					
21	3	129054-77820	GASKET, SUPPORT	1					
22	3	129054-77830	SHAFT ASSY, SENSOR	1					
25	3	129A22-77880	SUPPORT	1					
26	3	24311-000070	O-RING, 1AP7.0	1					
27	3	26023-040202	SCREW, M4X20	2					
28	2	26106-060122	BOLT, M6X 12 PLATED	2					
29	1	129927-77920	RELAY, ISO 70A	1					
30	1	129927-77920	RELAY, ISO 70A	1					
31	1	129927-91040	HARNESS, WIRE	1					
32	1	129927-91050	HARNESS, ECU-POWER	1					

Parts No. Index

Parts No.	Fig. No.	Ref. No.	Parts No.	Fig. No.	Ref. No.	Parts No.	Fig. No.	Ref. No.	Parts No.	Fig. No.	Ref. No.
105010-39140	11	10	121850-49811	13	25	129150-35153	11	4	129907-11800	4	28
	12	2	121850-77021	5	16	129150-59131	16	44	129907-11920	4	48
		22	123472-59120	16	45	129198-59540	12	2 -1	129907-11950	4	32
105425-01690	3	4	123900-25060	7	9	129263-77941	14	127	129907-11960	4	31
114250-39450	12	1	123901-03240	4	78	129410-03990	4	74	129907-12110	5	1
114250-53080	16	5	123901-18080	19	3	129418-18320	6	3	129907-14400	7	2
114250-53120	16	9	123907-11280	4	39				129907-21650	9	10
114250-53130	16	10	123907-11550	4	5	129461-59580	17	3	129907-25900	7	15
114250-53140	16	11	123907-11601	16	40	129466-49300	11	18	129907-44740	13	15
114250-53210	16	12	123907-11820	4	25	129472-18090	8	2	129907-51560	14	58
119000-39650	12	39	123907-11830	4	24	129486-59551	17	15	129907-55801	17	5
119005-77051	5	17	123907-39500	12	14	129509-79700	4	63	129907-59140	17	12
119060-61990	19	15	123907-59540	17	13	129657-51590	14	63	129908-14590	7	3
119100-11330	4	62	123907-59550	17	14	129657-51600	14	64	129908-32060	2	10
119129-77020	5	15	123907-59560	17	18	129693-44310	3	7	129908-33010	11	12
119131-18320	8	3	123908-03199	4	59	129795-01960	10	1	129908-33101	11	15
119225-52102	19	5	123910-39850	12	27	129900-01200	1	29	129908-39410	12	33
119305-59120	16	41	123910-49600	11	19	129900-01250	1	4	129908-39690	12	29
119578-91351	18	13	123910-49610	11	21	129900-02020	1	6	129908-49060	11	17
		22	123912-33050	11	13	129900-02410	1	9	129916-01790	3	13
119593-11301	4	34	123912-33100	11	14	129900-13251	6	5	129916-01800	2	44
119620-11180	4	18	123951-18220	5	12	129900-14110	7	6	129916-21610	9	9
119625-11880	4	30	124070-13300	12	24	129900-14140	2	47	129916-49530	13	21
119802-11870	4	29		13	47	129900-21220	9	3	129927-02340	1	34
119802-13791	6	19	124160-01751	2	32	129900-23001	9	23	129927-02930	1	23
119802-51680	14	68		4	54	129900-23200	9	26	129927-02940	1	37
119802-51690	14	69	124160-11340	4	20	129900-23911	9	29	129927-13810	6	21
119802-55700	19	6	124160-11360	4	68	129900-26030	7	16			27
119802-55710	19	8	124223-39900	12	6	129900-26250	2	48	129927-13910	6	36
119802-55730	19	9	124465-44950	13	35	129900-32030	2	23	129927-13920	6	37
119803-11340	4	19	124722-59050	17	16		11	5	129927-22050	9	15
119803-53400	16	13	124766-59050	17	9	129900-32040	2	24	129927-23600	9	27
119852-51630	14	73	128610-14120	10	3	129900-42020	13	11	129927-23610	9	30
119852-51640	14	74	129005-59830	12	16	129900-42462	13	14	129927-25110	7	10
119852-51650	14	76	129006-44480	11	16	129900-49870	13	30	129927-25920	7	18
119860-34810	11	2	129008-51920	14	12	129906-51580	14	61	129927-39060	12	12
119934-55611	17	2	129008-61301	15	26	129907-01331	1	30	129927-42002	13	1
119934-59910	14	134	129054-77820	19	21	129907-03011	4	56	129927-42140	2	25
120130-22301	9	21	129054-77830	19	22	129907-03061	4	57	129927-44900	13	18
121023-26071	2	38	129100-01580	1	26	129907-03070	4	58	129927-51250	14	141
121252-39150	12	3			27	129907-11100	4	15	129927-51650	14	125
121450-42450	13	34		2	1	129907-11110	4	16	129927-51660	14	126
121850-21130	19	4	129100-55690	19	7	129907-11120	4	17	129927-51670	14	129
121850-21290	9	4	129150-02450	7	4	129907-11250	4	36	129927-75901	18	19
		5	129150-11230	4	42	129907-11260	4	37	129927-77600	18	11
	10	4		4	46	129907-11270	4	38			20
		5	129150-11750	4	23	129907-11341	4	35	129927-77680	18	12
121850-21920	9	6			43	129907-11510	4	21			21
121850-49540	13	23			47	129907-11650	4	40	129927-77690	19	12
121850-49550	13	24	129150-14200	7	1	129907-11660	4	44	129927-77920	19	29

Parts No. Index

Parts No.	Fig. No.	Ref. No.
129927-77920	19	30
129927-91040	19	31
129927-91050	19	32
129928-11700	4	6
129928-13410	6	16
		17
129928-13700	5	6
129928-13900	6	35
129928-22080	9	13
129928-51390	14	25
129928-51900	14	11
129928-53000	16	2
129930-39050	11	9
		12
		21
129933-01500	2	3
129933-11310	4	61
129935-18011	8	1
129942-21000	9	1
129949-49850	13	17
129950-59221	17	11
129951-01740	2	34
129953-25300	7	14
129956-01710	1	28
129956-01731	3	1
129956-01760	3	3
129956-28009	10	2
129956-28019	10	6
129956-28030	10	2 -1
129956-28040	10	6 -1
129956-28101	10	10
129956-28111	10	11
129956-28180	10	12
129956-28321	9	7
129956-28332	10	13
129956-28341	10	14
129956-35100	11	6
129960-03990	13	52
129960-21930	9	11
129960-21940	9	12
129963-34800	11	1
129968-01640	3	11
129968-49610	13	36
129968-49620	13	40
129968-49850	13	44
129972-01731	3	2
129972-03200	4	75
129972-03210	4	76
129972-03220	4	77
129972-03280	4	80
129972-03310	4	81

Parts No.	Fig. No.	Ref. No.
129972-59010	17	8
129972-59090	17	10
129973-03030	4	71
129973-07901	4	1
129973-07910	4	2
129973-11320	4	55
129973-12102	5	3
129973-12110	5	4
129973-12161	5	2
129973-12200	5	5
129973-12860	5	14
129973-13101	6	2
129973-13150	6	1
129973-13400	6	7
129973-13801	6	20
129973-13811	6	22
129973-13820	6	28
129973-13840	6	31
129973-18200	5	11
129973-39450	12	4
129973-39610	12	25
129973-39640	12	28
129973-39650	12	26
129973-49110	13	48
129973-49400	13	19
129973-49640	13	49
129973-49680	13	50
129973-49740	13	51
129973-49780	13	54
129973-55610	17	1
129973-55650	17	4
129973-59700	16	46
129973-59810	16	50
129973-59820	16	51
129973-59830	16	52
129973-59840	16	53
129973-75170	18	1
129A22-77800	19	13
129A22-77820	19	16
129A22-77880	19	25
129A22-77890	19	19
129E00-13610	6	18
129E00-13640	6	6
144626-51090	14	13
158552-51571	14	59
158552-51580	14	62
158552-51670	14	130
158552-51781	14	101
158552-52100	14	132
158552-52311	14	110

Parts No.	Fig. No.	Ref. No.
158552-52400	14	111
158552-52500	14	133
158553-51670	14	67
158553-51680	14	79
158553-51930	14	104
		15
		2
158553-61780	15	27
158557-51570	14	60
158557-61720	15	16
158560-51600	14	72
158560-61050	15	3
158563-51150	7	19
158563-51281	14	23
		24
158563-51330	14	35
158600-51270	14	22
158601-51550	14	57
158601-51650	14	128
158601-51770	14	100
158601-51790	14	102
171051-01921	1	5
171056-49120	11	24
172B02-17150	19	1
		2
185100-50070	19	20
194990-22130	19	14
22190-080002	3	8
		11
		11
		9
		17
		17
		19
		23
		17
		19
22190-120002	13	27
		14
		105
		112
		135
		15
		28
22190-160002	3	6
22190-180002	14	106
22217-050000	14	136
22217-180000	14	113
22252-000300	9	22
22312-050140	14	114
22351-030010	12	40
22351-050010	14	115
22351-060012	1	11
22512-070140	7	7
		9
		8
22857-500100	4	64

Parts No.	Fig. No.	Ref. No.
22857-500120	4	65
22877-500080	18	14
		23
23000-022000	4	82
		13
		46
23000-025000	11	22
		12
		30
23000-054000	5	13
23065-160500	4	83
23080-012000	13	39
		43
23414-080000	13	31
23414-100000	12	10
23857-030000	12	18
23875-030000	13	28
23876-005000	10	15
23876-020000	4	12
23876-030000	1	12
		13
		4
		13
		66
		84
		6
		23
24311-000070	2	26
		14
		116
		19
		26
24311-000120	4	33
		69
24311-000160	19	10
24311-000200	10	17
24311-000320	2	33
		4
		70
24321-000600	11	23
24321-000650	19	11
24321-000850	2	39
24341-000480	15	22
24351-030750	2	27
24356-190200	14	70
		117
24356-240210	14	118
24372-000150	14	71
26023-040202	19	27
26106-060102	14	119
26106-060122	4	67
		14
		137
		19
		28
26106-060142	5	7
26106-060162	12	31
		15
		23
26106-060182	5	8

Parts No. Index

Parts No.	Fig. No.	Ref. No.
26106-060202	13	29
26106-060252	15	29
26106-060302	13	12
26106-060352	14	120
26106-080122	12	11
		20
		32
	13	16
		32
26106-080142	4	85
	7	8
	10	16
	11	7
	13	45
26106-080162	2	28
	6	32
		33
	13	55
26106-080202	2	29
		35
	4	3
		4
	11	8
	14	142
	16	54
	17	6
26106-080222	6	24
26106-080252	3	9
	15	24
26106-080302	3	14
	14	143
	17	7
26106-080402	2	45
	4	50
	5	18
26106-080452	2	30
		36
26106-080552	5	9
	7	13
	13	13
26106-080602	4	51
		52
	10	18
	13	33
26106-080652	6	25
26106-080702	2	46
	5	19
26106-080752	2	37
26106-080852	3	10
	5	10

Parts No.	Fig. No.	Ref. No.
26106-100202	2	40
26106-100302	6	34
26106-100402	6	38
26106-101052	6	39
26116-050102	4	79
26216-060202	16	48
26216-100302	2	22
26226-080222	4	49
26306-080002	4	53
	6	26
	8	4
26306-100002	2	31
26366-060002	16	55
26450-100452	14	121
26716-050002	14	138
26776-180002	14	122
27241-160000	14	139
27241-300000	1	10
27241-400000	4	14
27310-070001	4	26
729907-01559	2	41
729927-02800	1	31
729927-22950	9	34
729928-22900	9	32
729928-53100	16	1
729973-01560	1	1
729973-51410	14	1

Parts No.	Fig. No.	Ref. No.
-----------	----------	----------

Parts No.	Fig. No.	Ref. No.
-----------	----------	----------