

0CW10-M47900EN

# P R E F A C E

1. This parts catalog is the 1st edition of 4TNV98(T)-ZNHQ for HUSQVARNA.

Pub.No. : 0CW10-G47900

Published : November, 2008

2. Model name

Engine model	Vehicle	Vehicle made by
4TNV98(T)-ZNHQ	CONCRETE CUTTER	HUSQVARNA

## Directions for the Parts Catalog.

1. The parts stipulated in this Parts Catalog are not necessarily standard equipped parts.
2. Parts may change without prior notice.
3. The following is an example of the Parts Catalog format.

REF.	LEV.	PARTS NO.	DESCRIPTION	Q'TY						I	R
				(A)	(B)	(C)	(D)	(E)	(F)		
1	1	729595-51390	FUEL INJECTION PUMP	1	1	1	1	1			1
1-1	1	729595-51391	FUEL INJECTION PUMP	1	1	1	1	1		N	1
		(A=E00185) (B=E00200)									
3	2	26022-060162	SCREW M 6X 16	9	9	9	9	9			
3-1	2	26022-060162	SCREW M 6X 16	4	4	4	4	4		K	
		(A=E00156) (B=E00156) (C=E00156) (D=E00156) (E=E00156)									
4	2	129470-51040	CAMSHAFT	1	1	1	1	1			
5	2	122710-51050	BEARING, ROLLER	2	2	2	2	2			
6	2	129470-51060	RETAINER	1	1	1	1	1			

Remarks
(1) BOOST COMPEMSATOR TYPE. OPTIONAL PART, TO E00155,(4JH-DT, 4JH-DTZ

### ① Ref. No.

The Ref. No. listed may not be in accordance with the illustration Ref. No.

(Ex.) Illustration No.

List Ref No.

1 1 (Before change) → 1-1 (After change)

For interchangeable symbols N, R and K, illustrations for new parts may be abbreviated.

### ② Lev. (Level)

Level indication

The numbers below indicate the level of relativity towards the main part.

1 ---- Main parts (Assembly parts)

2 ---- Sub component included in " 1 ".

3 ---- Sub component included in " 2 ".

Note) Parts that are not for sale are partially illustrated but not listed.

### ③ Interchangeability Mark

When a part change takes place, one of the following interchangeability symbols is indicated beside the part.

Symbol	Interchangeability	Contents note
N	Old $\begin{matrix} \leftarrow \text{Yes} \\ \text{No} \rightarrow \end{matrix}$ New	New Part is interchangeable for Old Part but Old Part is not interchangeable for New Part.
Q	Old $\begin{matrix} \leftarrow \text{No} \\ \text{Yes} \rightarrow \end{matrix}$ New	New Part is not interchangeable for Old Part but Old Part is interchangeable for New Part.
R	Old $\begin{matrix} \leftarrow \text{Yes} \\ \text{Yes} \rightarrow \end{matrix}$ New	New/ Old Parts are both interchangeable.
S	Old $\begin{matrix} \leftarrow \text{No} \\ \text{No} \rightarrow \end{matrix}$ New	New/ Old Parts are both not interchangeable.
W		Part newly added.
Z		Part discontinued.
F		Not interchangeable by a single part but interchangeable together with related parts.
K		Changes only for used parts quantities.

### ④ Effective Machine No.

When a part changes, the effective Machine No. will be indicated in the (A)-(F) column.

Product Symbol	Product No.	Product Symbol	Product No.
C	Clutch No. Compressor No.	F	Machine No. (Agricultural Equip.)
D	Drive No.	M	Machine No.
E	Engine No.		

Note 1) A date may follow the symbol. (Ex.) 1996.01

Note 2) "XXXXX" and "ZZZZZ" are for parts that could not be predicted or for engine models that could not be identified.

Note 3) (A=E00185) is the E (Engine Serial Number) for the column (A) model (in this case 4JH-DT) after the parts design change.

### ⑤ Remarks Mark

Figures or alphabets (symbols) are entered in the remarks column.

The comments (remarks) on parts that are indicated at the bottom of the illustration are the same symbols as those stated above.

## Contents

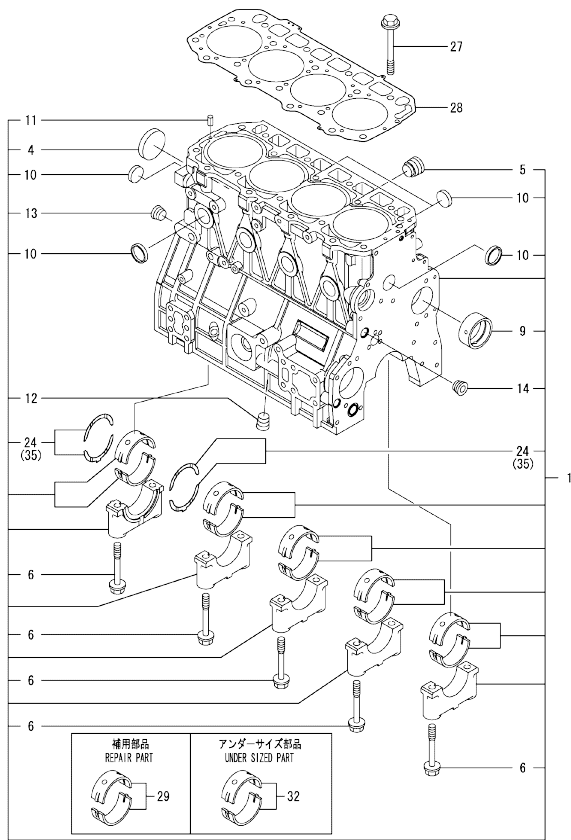
0CW10-M47900

Fig. No.	Fig. Name	Fig. No.	Fig. Name
4TNV98-ZNHQ		22.	CYLINDER HEAD & BONNET
1.	CYLINDER BLOCK	23.	SUCTION MANIFOLD
2.	GEAR HOUSING	24.	EXHAUST MANIFOLD
3.	FLYWHEEL HOUSING & OIL SUMP	25.	CAMSHAFT & DRIVING GEAR
4.	CYLINDER HEAD & BONNET	26.	TURBINE
5.	SUCTION MANIFOLD	27.	CRANKSHAFT & PISTON
6.	EXHAUST MANIFOLD	28.	LUB.OIL SYSTEM
7.	CAMSHAFT & DRIVING GEAR	29.	LUB.OIL LINE
8.	CRANKSHAFT & PISTON	30.	COOLING WATER SYSTEM
9.	LUB.OIL SYSTEM	31.	FUEL INJECTION PUMP
10.	COOLING WATER SYSTEM	32.	GOVERNOR
11.	FUEL INJECTION PUMP	33.	FUEL INJECTION VALVE
12.	GOVERNOR	34.	FUEL LINE
13.	FUEL INJECTION VALVE	35.	STARTING MOTOR
14.	FUEL LINE	40.	(35A)STARTING MOTOR
15.	STARTING MOTOR	36.	GENERATOR
39.	(15A)STARTING MOTOR	37.	ELECTRONIC CONTROL UNIT (ECU)
16.	GENERATOR	38.	GASKET SET
17.	ELECTRONIC CONTROL UNIT (ECU)		
18.	GASKET SET		
4TNV98T-ZNHQ			
19.	CYLINDER BLOCK		
20.	GEAR HOUSING		
21.	FLYWHEEL HOUSING & OIL SUMP		

Fig.1. CYLINDER BLOCK

(A)=4TNV98-ZNHQ  
(B)=4TNV98T-ZNHQ  
(C)=

(D)=  
(E)=  
(F)=



No.	Lev.	Parts No.	Description	Q'ty						I	R
				(A)	(B)	(C)	(D)	(E)	(F)		
1	1	729927-01560	BLOCK ASSY, CYLINDER	1							
4	2	129900-01250	PLUG, DISH TYPE 55	1							
5	2	171051-01921	PLUG, NPTF1	1							
6	2	129900-02020	BOLT, METAL CAP	10							
9	2	129900-02410	BUSH, CAMSHAFT	1							
10	2	27241-300000	PLUG 30	8							
11	2	22351-060012	PIN, SPRING 6.0X12	2							
12	2	23876-030000	PLUG, R03	1							
13	2	23876-030000	PLUG, R03	1							
14	2	23876-030000	PLUG, R03	1							
24	2	129900-02931	BEARING ASSY, THRUST	2							
27	1	129900-01200	BOLT, CYLINDER HEAD	18							
28	1	129907-01331	GASKET, HEAD	1							
29	1	729900-02801	BEARING, MAIN	5							1
32	1	129900-02341	BEARING ASSY, MAIN	5							2
35	1	129900-02941	BEARING, THRUST 0.25	2							3

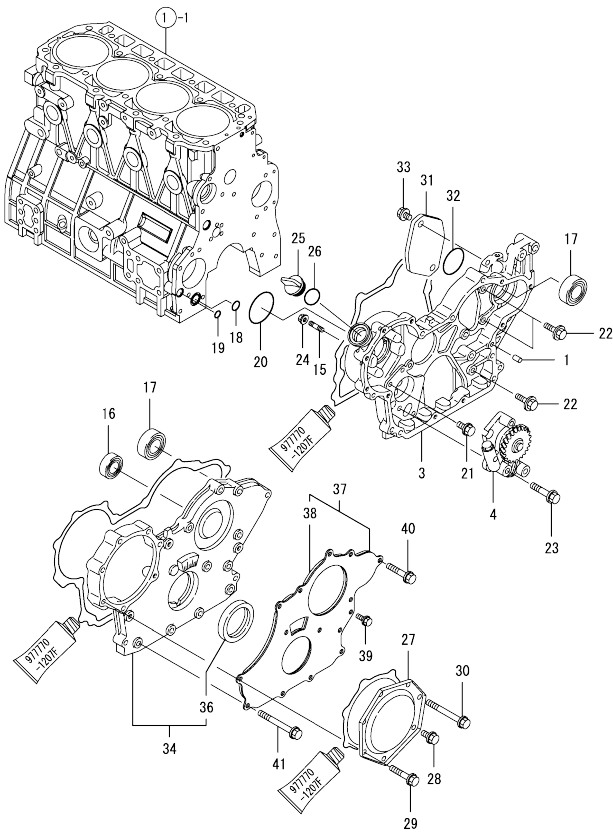
Remarks  
(1) REPAIR PART.  
(2) UNDER-SIZED(U.S=0.25)PART.  
(3) OVER-SIZED(O.S=0.25)PART.

0CW10-M47900 4TNV98-ZNHQ  
 Fig.2. GEAR HOUSING

0CW10-M47900 Fig.2

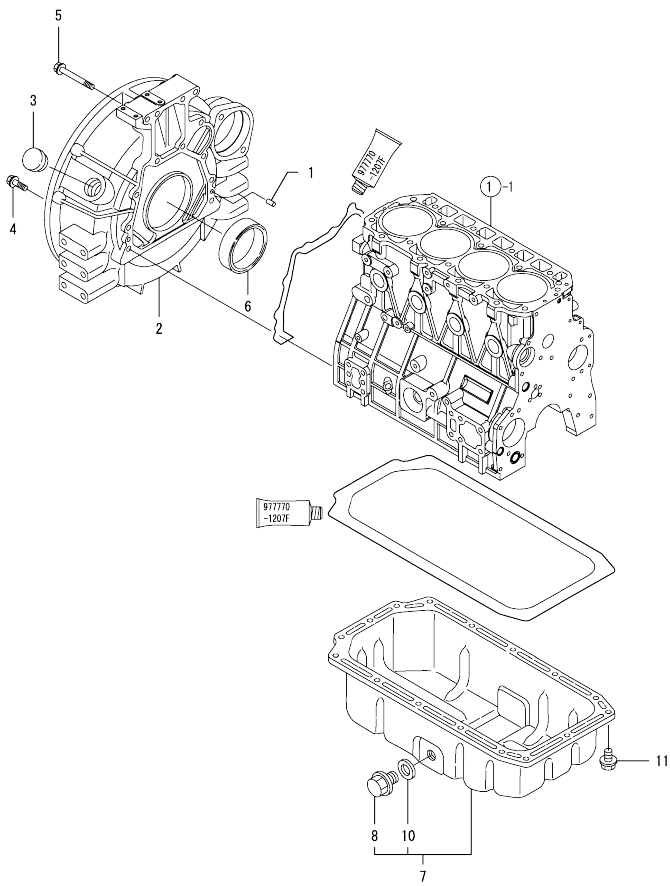
(A)=4TNV98-ZNHQ  
 (B)=4TNV98T-ZNHQ  
 (C)=

(D)=  
 (E)=  
 (F)=



No.	Lev.	Parts No.	Description	Qty						I	R
				(A)	(B)	(C)	(D)	(E)	(F)		
1	1	129100-01580	PIN, PARALLEL 8X16	4							
3	1	129963-01500	CASE, GEAR	1							
4	1	129900-32001	PUMP ASSY, OIL	1							
15	1	26216-100302	STUD, M10X 30	4							
16	1	129900-14140	BEARING, BALL 6205	1							
17	1	129900-26250	BEARING, BALL 6206C3	2							
18	1	129900-32030	O-RING, P20	1							
19	1	129900-32040	O-RING, P14	1							
20	1	24351-030750	O-RING, 1A3075	1							
21	1	26106-080162	BOLT, M8X 16 PLATED	1							
22	1	26106-080202	BOLT, M8X 20 PLATED	3							
23	1	26106-080452	BOLT, M8X 45 PLATED	3							
24	1	26306-100002	NUT, M10	4							
25	1	124160-01751	CAP, FILLER	1							
26	1	24311-000320	O-RING, 1AP32.0	1							
27	1	129900-01740	COVER	1							
28	1	26106-080162	BOLT, M8X 16 PLATED	1							
29	1	26106-080402	BOLT, M8X 40 PLATED	5							
30	1	26106-080702	BOLT, M8X 70 PLATED	1							
31	1	129930-01870	COVER	1							
32	1	24321-000850	O-RING, 1AG85.0	1							
33	1	26106-100202	BOLT, M10X 20 PLATED	2							
34	1	729906-01550	COVER ASSY,GEAR CASE	1							
36	2	129916-01800	SEAL, OIL	1							
37	1	129900-01850	COVER ASSY,GEAR CASE	1							
38	2	129900-01870	SPONGE, GEAR CASE	1							
39	1	26106-080162	BOLT, M8X 16 PLATED	3							
40	1	26106-080402	BOLT, M8X 40 PLATED	5							
41	1	26106-080702	BOLT, M8X 70 PLATED	6							

Fig.3. FLYWHEEL HOUSING & OIL SUMP

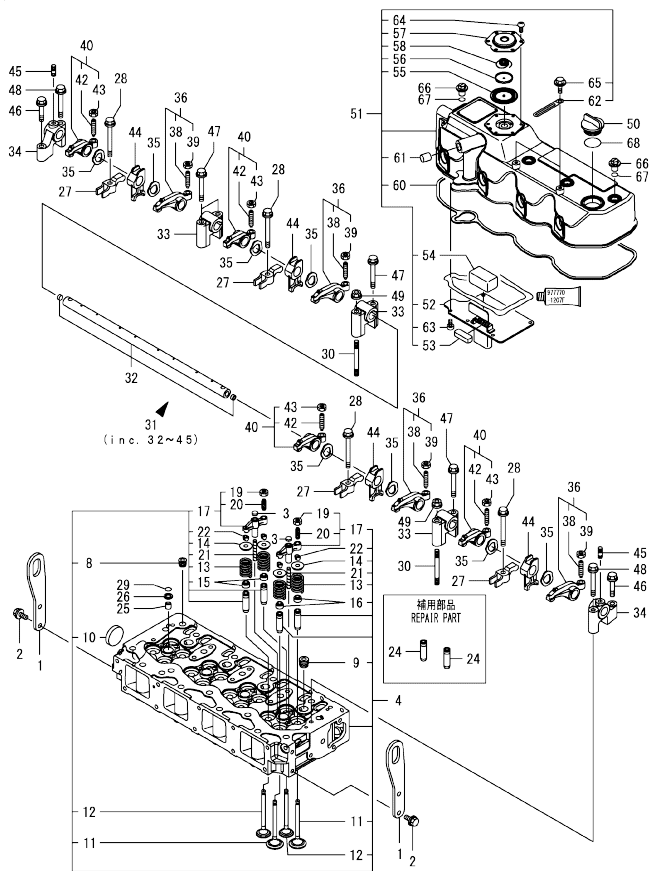


(A)=4TNV98-ZNHQ  
(B)=4TNV98T-ZNHQ  
(C)=

(D)=  
(E)=  
(F)=

No.	Lev.	Parts No.	Description	Q'ty						I	R
				(A)	(B)	(C)	(D)	(E)	(F)		
1	1	129100-01580	PIN, PARALLEL 8X16	2							
2	1	129981-01600	HOUSING, FLYWHEEL	1							
3	1	119620-01750	CAP	1							
4	1	26206-100352	BOLT, M10X 35 PLATED	9							
5	1	26206-100702	BOLT, M10X 70 PLATED	4							
6	1	129916-01790	SEAL, D115/95XT11	1							
7	1	129902-01710	OIL PAN ASSY	1							
8	2	119640-01640	PLUG, DRAIN M22	1							
10	2	22190-220002	WASHER, SEAL 22	1							
11	1	26106-080122	BOLT, M8X 12 PLATED	16							

Fig.4. CYLINDER HEAD & BONNET



(A)=4TNV98-ZNHQ  
(B)=4TNV98T-ZNHQ  
(C)=

(D)=  
(E)=  
(F)=

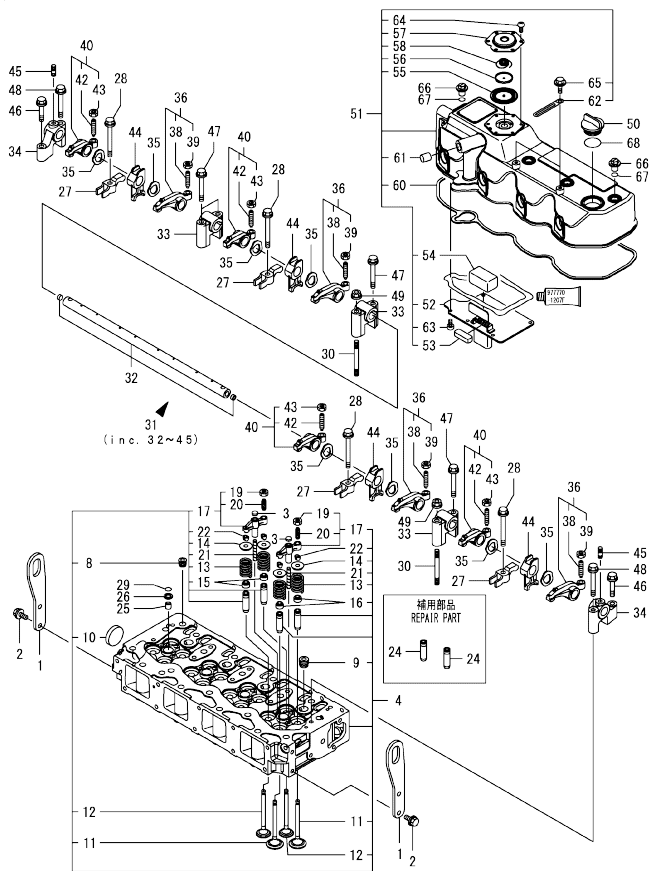
No.	Lev.	Parts No.	Description	Q'ty						I	R
				(A)	(B)	(C)	(D)	(E)	(F)		
1	1	129907-07900	LIFTER, ENGINE	2							
2	1	26106-080162	BOLT, M8X 16 PLATED	4							
3	1	123907-11550	SEAT, VALVE BRIDGE	8							
4	1	129927-11700	HEAD ASSY, CYLINDER	1							
8	2	23876-020000	PLUG, R02	1							
9	2	23876-030000	PLUG, R03	4							
10	2	27241-400000	PLUG, 40	1							
11	2	129907-11100	VALVE, SUCTION	8							
12	2	129907-11110	VALVE, EXHAUST	8							
13	2	129907-11120	SPRING, VALVE	16							
14	2	119620-11180	RETAINER, SPRING	16							
15	2	119803-11340	SEAL, VALVE STEM	8							
16	2	124160-11340	SEAL, VALVE STEM	8							
17	2	129907-11510	BRIDGE ASSY, VALVE	8							
19	3	129150-11750	NUT, M8	8							
20	3	123907-11830	ADJUSTER	8							
21	2	123907-11820	GUIDE, BRIDGE	8							
22	2	27310-070001	COTTER, 7	16							
24	1	129907-11800	GUIDE, VALVE	16							1
25	1	119802-11870	PROTECTOR, NOZZLE	4							
26	1	119625-11880	SEAT, NOZZLE	4							
27	1	129907-11910	RETAINER, NOZZLE	4							
28	1	129907-11950	BOLT, M8X75	4							
29	1	24311-000120	O-RING, 1AP12.0	4							
30	1	119593-11301	BOLT, STUD M8X80	2							
31	1	129907-11341	SHAFT ASSY, ROCKER	1							
32	2	129907-11250	SHAFT, ROCKER ARM	1							
33	2	129907-11260	SUPPORT, ROCKER ARM	3							
34	2	129907-11270	SUPPORT, ROCKER ARM	2							
35	2	123907-11280	WASHER	8							
36	2	129907-11650	ARM ASSY, ROCKER	4							
38	3	129150-11230	SCREW, VALVE ADJUST	4							
39	3	129150-11750	NUT, M8	4							
40	2	129907-11660	ARM ASSY, ROCKER	4							
42	3	129150-11230	SCREW, VALVE ADJUST	4							
43	3	129150-11750	NUT, M8	4							
44	2	129907-11920	RETAINER, NOZZLE	4							
45	2	26226-080222	STUD, M8X 22	2							
46	1	26106-080402	BOLT, M8X 40 PLATED	2							
47	1	26106-080602	BOLT, M8X 60 PLATED	4							
48	1	26106-080602	BOLT, M8X 60 PLATED	2							
49	1	26306-080002	NUT, M8	2							
50	1	124160-01751	CAP, FILLER	1							
51	1	129927-11320	BONNET ASSY, HEAD	1							
52	2	129907-03011	PLATE, BAFFLE	1							
53	2	129907-03061	BAFFLE, BREATHER	1							
54	2	129907-03070	BAFFLE, BREATHER	1							
55	2	123907-03100	DIAPHRAGM	1							
56	2	123907-03110	PLATE	1							
57	2	123907-03120	PLATE, BREATHER	1							
58	2	123907-03140	SPRING, DIAPHRAGM	1							

Remarks  
(1) REPAIR PART.

N:Old  $\frac{100}{100}$  New, Q:Old  $\frac{100}{100}$  New, R:Old  $\frac{100}{100}$  New, S:Old  $\frac{100}{100}$  New, W:Add, Z:Discontinued, F:Interchangeable by set, K:Q'ty Change  
++ CONTINUE ++  
Copyright (C) YANMAR GLOBAL CS CO., LTD. All Rights Reserved.



Fig.4. CYLINDER HEAD & BONNET



(A)=4TNV98-ZNHQ  
(B)=4TNV98T-ZNHQ  
(C)=

(D)=  
(E)=  
(F)=

No.	Lev.	Parts No.	Description	Q'ty						I	R
				(A)	(B)	(C)	(D)	(E)	(F)		
60	2	129933-11310	GASKET, BONNET	1							
61	2	119640-61400	PLUG	1							
62	2	175339-79700	CLIP	2							
63	2	22857-500100	SCREW, 5X10	6							
64	2	22857-500100	SCREW, 5X10	6							
65	2	26106-060122	BOLT, M6X 12 PLATED	2							
66	1	124160-11360	KNOB	4							
67	1	24311-000120	O-RING, 1AP12.0	4							
68	1	24311-000320	O-RING, 1AP32.0	1							

Remarks  
(1) REPAIR PART.

Fig.5. SUCTION MANIFOLD

(A)=4TNV98-ZNHQ  
 (B)=4TNV98T-ZNHQ  
 (C)=

(D)=  
 (E)=  
 (F)=

No.	Lev.	Parts No.	Description	Q'ty						I	R
				(A)	(B)	(C)	(D)	(E)	(F)		
1	1	129907-12110	GASKET, MANIFOLD	1							
2	1	129927-12150	MANIFOLD ASSY,INTAKE	1							
3	2	129927-12100	MANIFOLD, AIR INTAKE	1							
4	2	26216-060202	STUD, M6X 20	2							
5	1	26106-080452	BOLT, M8X 45 PLATED	6							
6	1	26106-080802	BOLT, M8X 80 PLATED	4							
7	1	119129-77020	GASKET	1							
8	1	121850-77021	GASKET, AIR HEATER	1							
9	1	119005-77051	HEATER, AIR	1							
10	1	119129-77520	BEND	1							
11	1	26106-080402	BOLT, M8X 40 PLATED	2							
12	1	26106-080902	BOLT, M8X 90 PLATED	2							

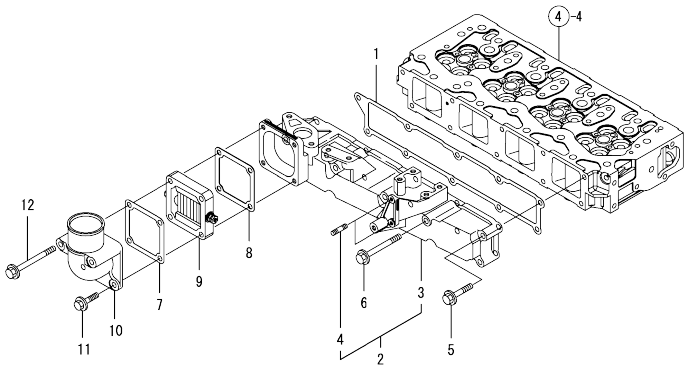
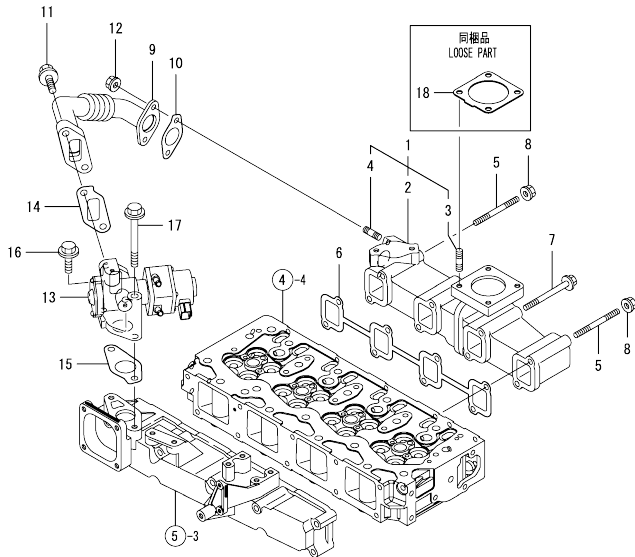


Fig.6. EXHAUST MANIFOLD

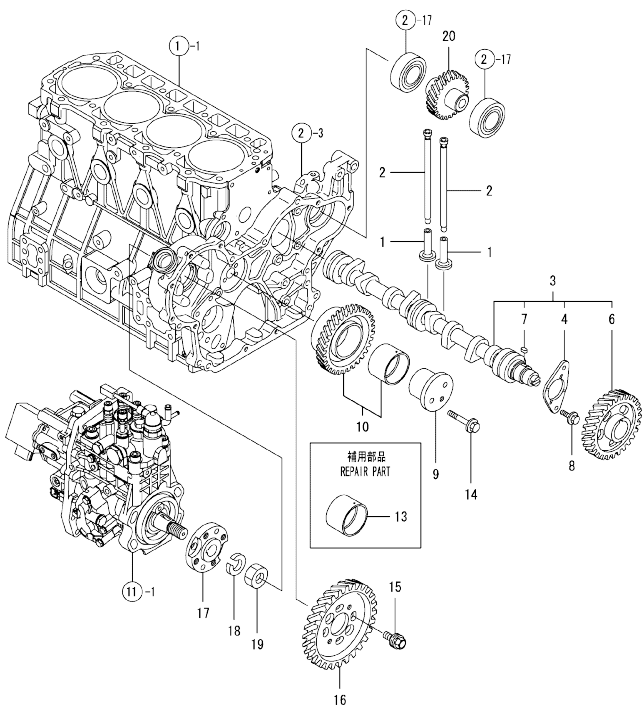


(A)=4TNV98-ZNHQ  
(B)=4TNV98T-ZNHQ  
(C)=

(D)=  
(E)=  
(F)=

No.	Lev.	Parts No.	Description	Q'ty						I	R
				(A)	(B)	(C)	(D)	(E)	(F)		
1	1	129927-13150	MANIFOLD ASSY, EXH.	1							
2	2	129927-13100	MANIFOLD, EXHAUST	1							
3	2	119131-18320	BOLT, STUD M8X22	4							
4	2	129418-18320	BOLT, STUD M8X20	2							
5	1	129263-13210	BOLT, STUD M8X90	2							
6	1	129900-13251	GASKET, EXH.MANIFOLD	1							
7	1	119802-13680	BOLT, M8X90 10.9T	6							
8	1	26306-080002	NUT, M8	2							
9	1	129927-13800	PIPE ASSY, EGR	1							
10	1	129927-13810	GASKET	1							
11	1	26106-100302	BOLT, M10X 30 PLATED	2							
12	1	26306-080002	NUT, M8	2							
13	1	129927-13900	VALVE, EGR	1							
14	1	129927-13910	GASKET, EGR	1							
15	1	129927-13920	GASKET, EGR	1							
16	1	26106-100302	BOLT, M10X 30 PLATED	1							
17	1	26106-100952	BOLT, M10X 95 PLATED	1							
18	1	129930-13201	GASKET, SILENCER	1							

Fig.7. CAMSHAFT & DRIVING GEAR



(A)=4TNV98-ZNHQ  
(B)=4TNV98T-ZNHQ  
(C)=

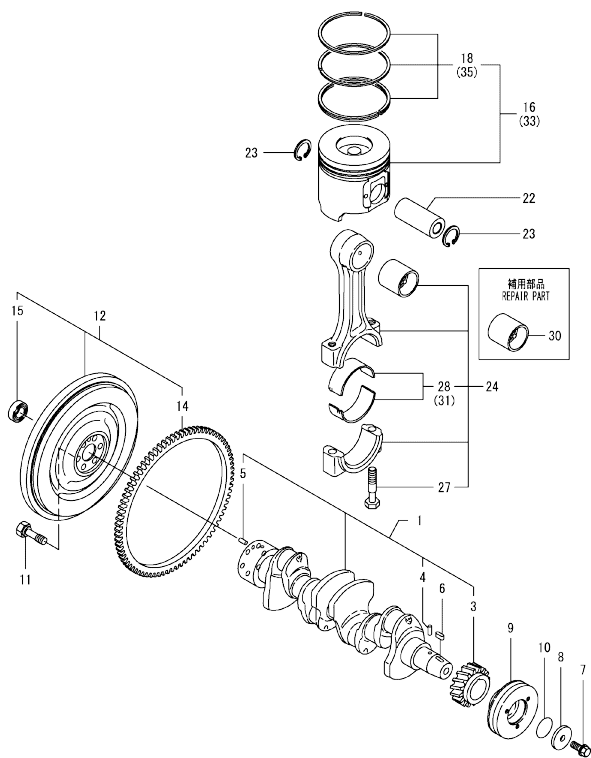
(D)=  
(E)=  
(F)=

No.	Lev.	Parts No.	Description	Q'ty						I	R
				(A)	(B)	(C)	(D)	(E)	(F)		
1	1	129150-14200	TAPPET	8							
2	1	129907-14400	PUSH-ROD	8							
3	1	129908-14590	CAMSHAFT ASSY	1							
4	2	129150-02450	BEARING, THRUST	1							
6	2	129900-14110	GEAR, CAMSHAFT	1							
7	2	22512-070140	KEY, 7X 14	1							
8	1	26106-080162	BOLT, M8X 16 PLATED	2							
9	1	123900-25060	SHAFT, IDLE GEAR	1							
10	1	129900-25110	GEAR ASSY, IDLE	1							
13	1	129150-25920	BUSH, IDLE GEAR	1							1
14	1	26106-080552	BOLT, M8X 55 PLATED	3							
15	1	129953-25300	BOLT	4							
16	1	129907-25900	GEAR, PUMP	1							
17	1	158563-51150	FLANGE	1							
18	1	22217-180000	WASHER, SPRING 18	1							
19	1	26776-180002	NUT, LOCK M18	1							
20	1	129900-26030	GEAR ASSY, PUMP	1							

Remarks  
(1) REPAIR PART.

N:Old  $\frac{100}{100}$  New, Q:Old  $\frac{100}{100}$  New, R:Old  $\frac{100}{100}$  New, S:Old  $\frac{100}{100}$  New, W:Add, Z:Discontinued, F:Interchangeable by set, K:Q'ty Change  
Copyright (C) YANMAR GLOBAL CS CO., LTD. All Rights Reserved.

Fig.8. CRANKSHAFT & PISTON



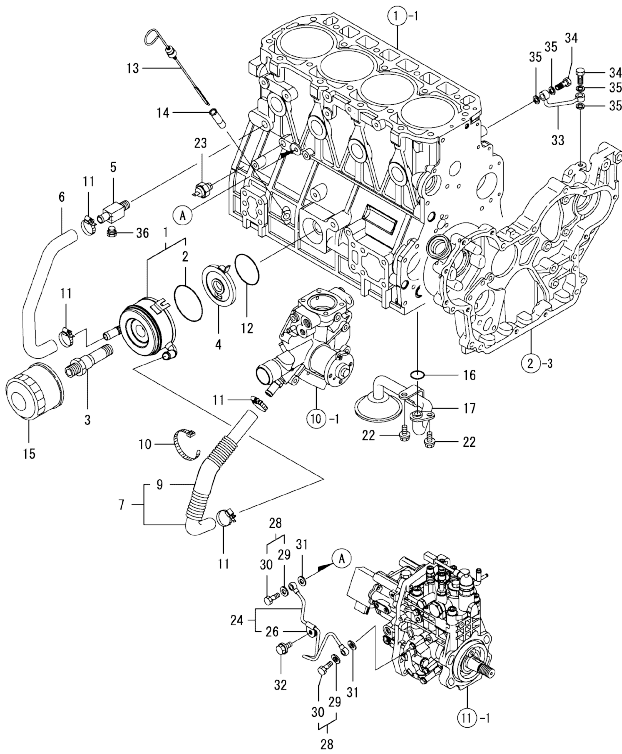
(A)=4TNV98-ZNHQ  
(B)=4TNV98T-ZNHQ  
(C)=

(D)=  
(E)=  
(F)=

No.	Lev.	Parts No.	Description	Q'ty						I	R
				(A)	(B)	(C)	(D)	(E)	(F)		
1	1	129902-21050	CRANKSHAFT ASSY	1							
3	2	129900-21220	GEAR, CRANKSHAFT	1							
4	2	121850-21290	PIN	1							
5	2	121850-21920	PIN, PARALLEL 10X22	1							
6	1	22512-070140	KEY, 7X 14	1							
7	1	129916-21610	BOLT	1							
8	1	129960-21640	WASHER	1							
9	1	129907-21650	V-PULLEY, CRANK 130	1							
10	1	24341-000530	O-RING, 1AS53.0	1							
11	1	121850-21130	BOLT, FLYWHEEL	6							
12	1	129921-21580	FLYWHEEL ASSY	1							
14	2	129900-21600	GEAR, RING	1							
15	2	24104-060054	BEARING, BALL 6005UU	1							
16	1	129927-22080	PISTON ASSY	4							
18	2	129927-22050	RING SET, PISTON	4							
22	1	120130-22301	PIN, PISTON	4							
23	1	22252-000300	RING, 30	8							
24	1	129900-23001	ROD ASSY, CONNECTING	4							
27	2	129900-23200	BOLT, CONNECTING ROD	8							
28	2	129900-23601	BEARING, CRANK PIN	4							
30	1	129900-23911	BEARING, PISTON PIN	4							1
31	1	129900-23611	BEARING ASSY, 0.25US	4							2
33	1	729927-22900	PISTON ASSY, 0.25 OS	4							3
35	2	729927-22950	RING SET, 0.25 OS	4							3

Remarks  
(1) REPAIR PART.  
(2) UNDER-SIZED(U.S=0.25)PART.  
(3) OVER-SIZED(O.S=0.25)PART.

OCW10-M47900 4TNV98-ZNHQ  
 Fig.9. LUB.OIL SYSTEM



OCW10-M47900 Fig.9

(A)=4TNV98-ZNHQ  
 (B)=4TNV98T-ZNHQ  
 (C)=

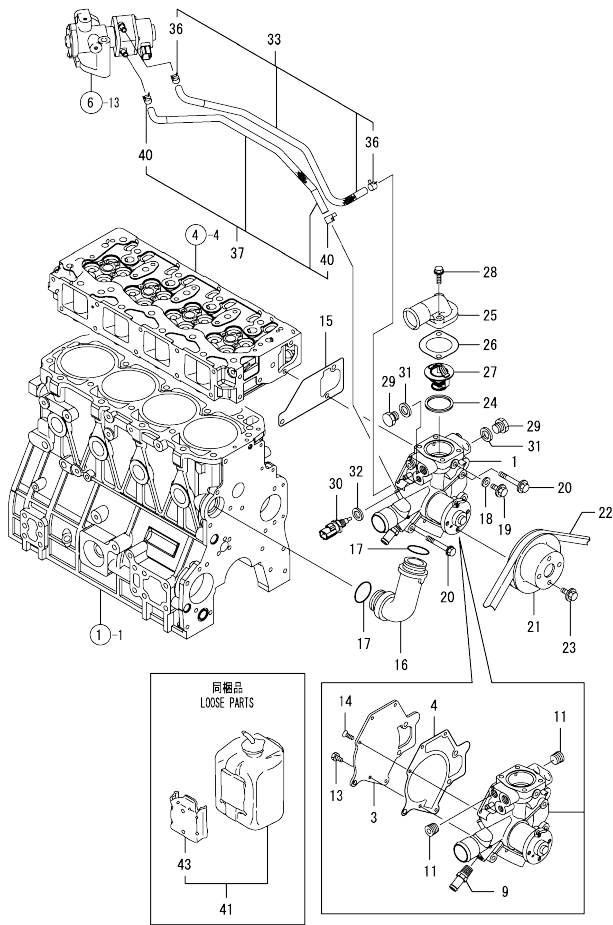
(D)=  
 (E)=  
 (F)=

No.	Lev.	Parts No.	Description	Qty						I	R
				(A)	(B)	(C)	(D)	(E)	(F)		
1	1	129908-33010	COOLER ASSY, OIL	1							
2	2	123912-33050	O-RING	1							
3	1	123912-33100	BOLT, COOLER	1							
4	1	129908-33101	BRACKET, OIL COOLER	1							
5	1	129006-44480	JOINT	1							
6	1	129908-49060	HOSE, WATER	1							
7	1	123910-49600	HOSE ASSY, WATER	1							
9	2	123910-49610	TUBE, CORRUGATED	1							
10	1	121750-59890	BAND, NYLON	1							
11	1	23000-025000	CLAMP, 25	4							
12	1	24321-000600	O-RING, 1AG60.0	1							
13	1	129900-34800	DIPSTICK	1							
14	1	121520-34810	GUIDE, DIPSTICK	1							
15	1	129150-35153	FILTER ASSY, D80X80L	1							1
16	1	129900-32030	O-RING, P20	1							
17	1	129900-35000	PIPE ASSY, OIL INLET	1							
22	1	26106-080122	BOLT, M8X 12 PLATED	2							
23	1	119761-39450	SWITCH, HYDRAULIC	1							
24	1	129927-39060	PIPE ASSY, OIL	1							
26	2	123907-39500	RETAINER, PIPE	1							
28	1	129005-59830	BOLT ASSY, JOINT M8	2							
29	2	22190-080002	WASHER, SEAL 6	2							
30	2	23857-030000	BOLT, JOINT 3	2							
31	1	22190-080002	WASHER, SEAL 6	2							
32	1	26106-080122	BOLT, M8X 12 PLATED	1							
33	1	129930-39050	PIPE, OIL	1							
34	1	105010-39140	BOLT, PIPE JOINT	2							
35	1	22190-080002	WASHER, SEAL 6	4							
36	1	171056-49120	PLUG, DRAIN R1/4	1							

Remarks  
 (1) REPAIR PART.

N:Old  $\frac{100}{100}$  New, Q:Old  $\frac{100}{100}$  New, R:Old  $\frac{100}{100}$  New, S:Old  $\frac{100}{100}$  New, W:Add, Z:Discontinued, F:Interchangeable by set, K:Qty Change  
 Copyright (C) YANMAR GLOBAL CS CO., LTD. All Rights Reserved.

Fig.10. COOLING WATER SYSTEM



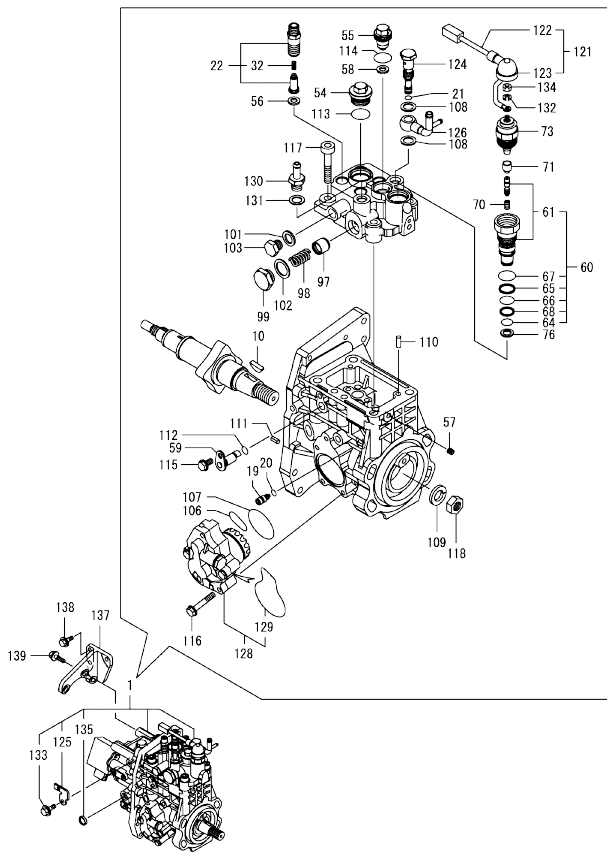
(A)=4TNV98-ZNHQ  
(B)=4TNV98T-ZNHQ  
(C)=

(D)=  
(E)=  
(F)=

No.	Lev.	Parts No.	Description	Qty						I	R	
				(A)	(B)	(C)	(D)	(E)	(F)			
1	1	129921-42010	PUMP ASSY, WATER	1								
3	2	129900-42161	COVER	1								
4	2	129900-42170	GASKET	1								
9	2	129963-49300	JOINT, D14	1								
11	2	129916-49740	PLUG, R3/8	2								
13	2	26116-060162	BOLT, M6X 16 PLATED	2								
14	2	26577-060162	SCREW, M6X16	3								
15	1	129900-42061	GASKET, WATER PUMP	1								
16	1	129900-42070	PIPE, WATER	1								
17	1	129900-42140	O-RING, P36	2								
18	1	23414-080000	GASKET, 8X1.0	1								
19	1	26106-080122	BOLT, M8X 12 PLATED	1								
20	1	26106-080552	BOLT, M8X 55 PLATED	3								
21	1	129900-42450	V-PULLEY, C.W.PUMP	1								
22	1	25132-004800	V-BELT, A48	1								
23	1	26106-080122	BOLT, M8X 12 PLATED	4								
24	1	121850-49550	GASKET, THERMOSTAT	1								
25	1	129900-49551	COVER, THERMOSTAT	1								
26	1	129900-49560	GASKET	1								
27	1	121850-49810	THERMOSTAT, 71C	1								
28	1	26106-080252	BOLT, M8X 25 PLATED	2								
29	1	121450-42450	PLUG, M16	2								
30	1	129927-44900	SENSOR, WATER TEMP.	1								
31	1	124465-44950	GASKET, 16	2								
32	1	22190-120002	WASHER, SEAL 12	1								
33	1	129938-49650	PIPE ASSY, WATER	1								
36	2	23080-012000	CLAMP, 12	2								
37	1	129938-49660	PIPE ASSY, WATER	1								
40	2	23080-012000	CLAMP, 12	2								
41	1	720445-44200	TANK ASSY, SUB	1								
43	2	120445-44540	SUPPORT	1								

N:Old  $\frac{New}{Old}$  New, Q:Old  $\frac{New}{Old}$  New, R:Old  $\frac{New}{Old}$  New, S:Old  $\frac{New}{Old}$  New, W:Add, Z:Discontinued, F:Interchangeable by set, K:Qty Change  
Copyright (C) YANMAR GLOBAL CS CO., LTD. All Rights Reserved.

Fig.11. FUEL INJECTION PUMP



(A)=4TNV98-ZNHQ  
(B)=4TNV98T-ZNHQ  
(C)=

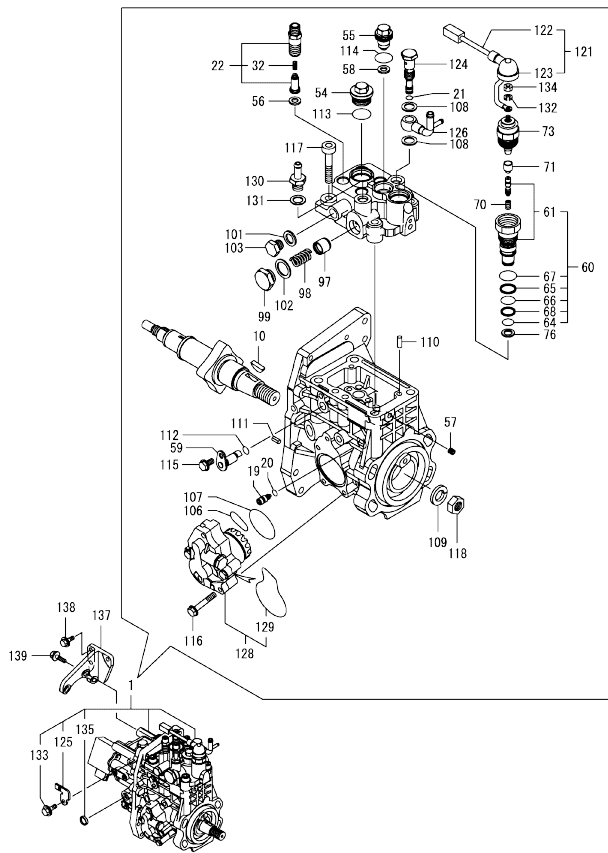
(D)=  
(E)=  
(F)=

No.	Lev.	Parts No.	Description	Q'ty						I	R	
				(A)	(B)	(C)	(D)	(E)	(F)			
1	1	729939-51390	FIE ASSY	1							1	
10	2	144626-51090	FEATHER KEY, 5X19	1								
19	2	158600-51270	STOPPER, TAPPET	1								
20	2	158563-51281	O-RING, 4D S6	1								
21	2	158563-51281	O-RING, 4D S6	1								
22	2	129927-51390	VALVE ASSY, DELIVERY	4								
32	3	158563-51330	SPRING, DELIVERY	4								
54	2	158601-51550	PLUG, M22	1								
55	2	129907-51560	PLUG, M16	1								
56	2	158552-51571	GASKET, PLUG	4								
57	2	158557-51570	PLUG, RACK	1								
58	2	129906-51580	GASKET, PLUG	1								
59	2	158552-51580	LIFTER, LINK	1								
60	2	129657-51590	TIMER ASSY	1								
61	3	129657-51600	TIMER ASSY	1								
64	3	158553-51670	O-RING	1								
65	3	119802-51680	RING, BACKUP	1								
66	3	119802-51690	O-RING	1								
67	3	24356-010200	O-RING, 4D1020	1								
68	3	24372-000150	RING, BACK UP T2P15	1								
70	2	119852-51630	SPRING, TIMER	1								
71	2	119852-51640	CAP, TIMER	1								
73	2	119852-51650	VALVE ASSY, SOLENOID	1								
76	2	158553-51680	GASKET, TIMER	1								
97	2	158601-51770	PISTON, ACCUMULATOR	1								
98	2	158552-51781	SPRING, ACCUMULATOR	1								
99	2	158601-51790	PLUG	1								
101	2	22190-120002	WASHER, SEAL 12	1								
102	2	22190-180002	WASHER, SEAL 18	1								
103	2	23887-120002	PLUG, 12	1								
106	2	158552-52310	O-RING	1								
107	2	158552-52400	O-RING, 4E S42	1								
108	2	22190-120002	WASHER, SEAL 12	2								
109	2	22217-180000	WASHER, SPRING 18	1								
110	2	22312-050140	PIN, PARALLEL M5X14	2								
111	2	22351-050010	PIN, SPRING 5.0X10	2								
112	2	24311-000070	O-RING, 1AP7.0	1								
113	2	24356-010200	O-RING, 4D1020	1								
114	2	24356-020210	O-RING, 4D2021	1								
115	2	26106-060102	BOLT, M6X 10 PLATED	1								
116	2	26106-060352	BOLT, M6X 35 PLATED	4								
117	2	26450-100452	BOLT, M10X 45	4								
118	2	26776-180002	NUT, LOCK M18	1								
121	2	129927-51650	HARNES ASSY, WIRE	1								
122	3	129927-51660	HARNES	1								
123	3	129263-77941	CAP, RUBBER	1								
124	2	158601-51650	JOINT, OVER FLOW	1								
125	2	129927-51670	BRACKET	1								
126	2	158552-51670	JOINT, OVER FLOW	1								
128	2	158552-52100	PUMP ASSY, FUEL FEED	1								
129	3	158552-52500	O-RING	1								

Remarks  
(1) GOVERNOR ASSY(FIG.12) IS  
INCORPORATED IN THIS FUEL  
INJECTION PUMP.(REF.NO.1).



Fig.11. FUEL INJECTION PUMP



(A)=4TNV98-ZNHQ  
(B)=4TNV98T-ZNHQ  
(C)=

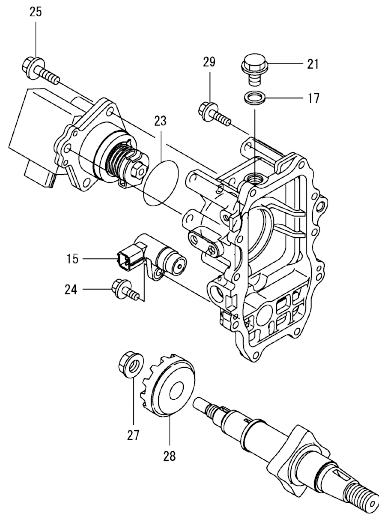
(D)=  
(E)=  
(F)=

No.	Lev.	Parts No.	Description	Q'ty						I	R
				(A)	(B)	(C)	(D)	(E)	(F)		
130	2	119934-59910	JOINT, PIPE	1							
131	2	22190-120002	WASHER, SEAL 12	1							
132	2	22217-050000	WASHER, SPRING 5	1							
133	2	26106-060122	BOLT, M6X 12 PLATED	1							
134	2	26716-050002	NUT, M5	1							
135	2	27241-160000	PLUG, 16	1							
137	1	129927-51250	RETAINER, PUMP	1							
138	1	26106-080202	BOLT, M8X 20 PLATED	3							
139	1	26106-080302	BOLT, M8X 30 PLATED	3							

Remarks  
(1) GOVERNOR ASSY(FIG.12) IS  
INCORPORATED IN THIS FUEL  
INJECTION PUMP.(REF.NO.1).

0CW10-M47900 4TNV98-ZNHQ  
 Fig.12. GOVERNOR

0CW10-M47900 Fig.12



(A)=4TNV98-ZNHQ  
 (B)=4TNV98T-ZNHQ  
 (C)=

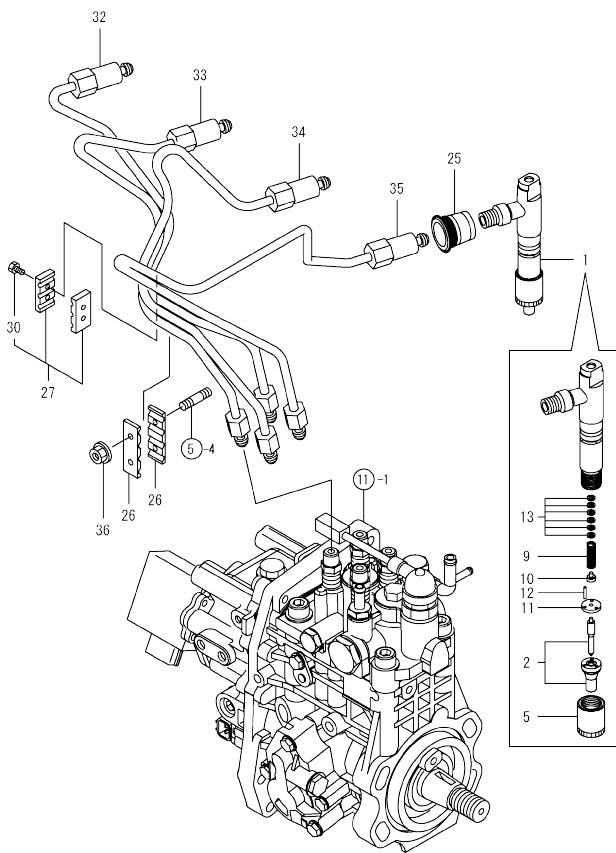
(D)=  
 (E)=  
 (F)=

No.	Lev.	Parts No.	Description	Q'ty						I	R
				(A)	(B)	(C)	(D)	(E)	(F)		
15	2	158557-61720	SENSOR	1							
17	2	22190-120000	WASHER, SEAL 12	1							
21	2	23887-120002	PLUG, 12	1							
23	2	24341-000480	O-RING, 1AS48.0	1							
24	2	26106-060162	BOLT, M6X 16 PLATED	1							
25	2	26106-080252	BOLT, M8X 25 PLATED	3							
27	2	129008-61301	NUT	1							
28	2	158553-61780	GEAR, SENSOR	1							
29	2	26106-060252	BOLT, M6X 25 PLATED	10							

Remarks  
 \* THIS FIGURE(GOVERNOR ASSY)IS  
 INCORPORATED IN THE FUEL INJECTION  
 PUMP ASSY(FIG.11).

N:Old  $\frac{100}{100}$  New, Q:Old  $\frac{100}{100}$  New, R:Old  $\frac{100}{100}$  New, S:Old  $\frac{100}{100}$  New, W:Add, Z:Discontinued, F:Interchangeable by set, K:Q'ty Change  
 Copyright (C) YANMAR GLOBAL CS CO., LTD. All Rights Reserved.

Fig.13. FUEL INJECTION VALVE

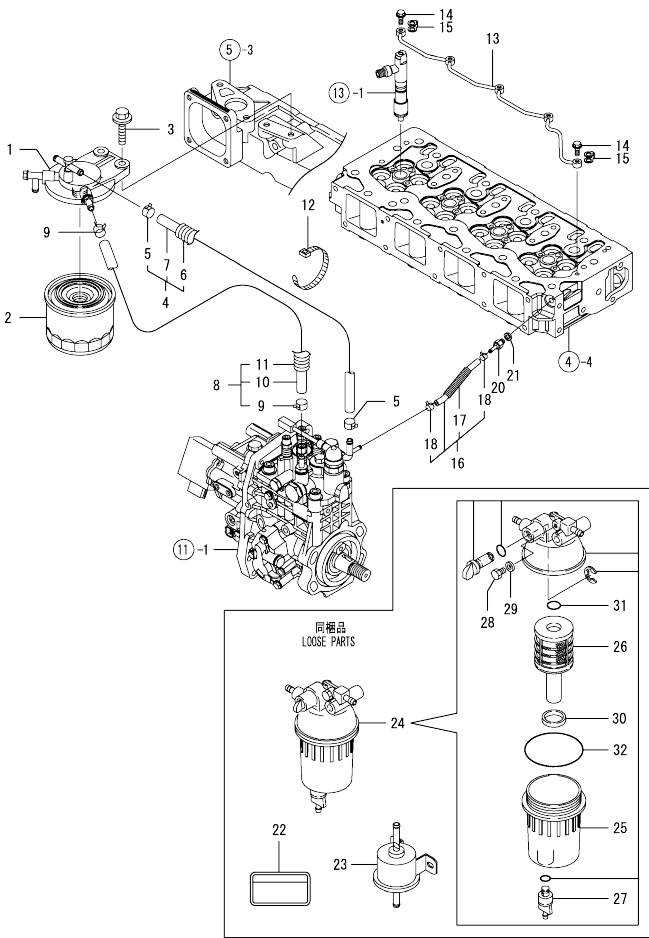


(A)=4TNV98-ZNHQ  
(B)=4TNV98T-ZNHQ  
(C)=

(D)=  
(E)=  
(F)=

No.	Lev.	Parts No.	Description	Q'ty						I	R
				(A)	(B)	(C)	(D)	(E)	(F)		
1	1	729927-53100	FUEL INJECTOR ASSY	4							
2	2	129927-53000	NOZZLE ASSY, F.I.	4							
5	2	114250-53080	NUT, NOZZLE	4							
9	2	114250-53120	SPRING, NOZZLE	4							
10	2	114250-53130	SEAT, SPRING	4							
11	2	114250-53140	SPACER	4							
12	2	114250-53210	PIN	8							
13	2	114250-53400	SHIM SET	4							
25	1	123907-11601	SEAL, PIPE	4							
26	1	123472-59120	RETAINER, PIPE	2							
27	1	129150-59120	RETAINER, PIPE	1							
30	2	129150-59131	BOLT, M4X14	2							
32	1	129927-59810	PIPE ASSY, INJECTION	1							
33	1	129927-59820	PIPE ASSY, INJECTION	1							
34	1	129927-59830	PIPE ASSY, INJECTION	1							
35	1	129927-59840	PIPE ASSY, INJECTION	1							
36	1	26366-060002	NUT, M6	2							

Fig.14. FUEL LINE



(A)=4TNV98-ZNHQ  
(B)=4TNV98T-ZNHQ  
(C)=

(D)=  
(E)=  
(F)=

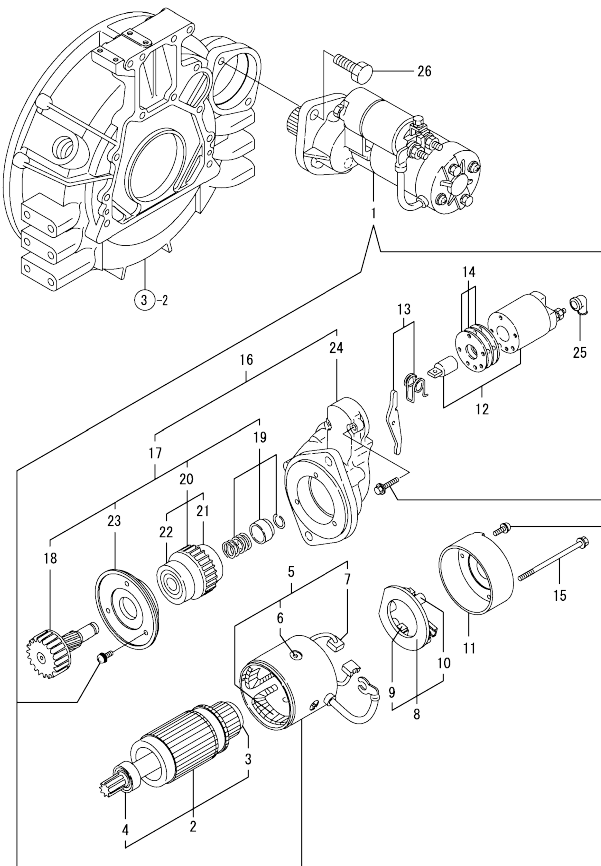
No.	Lev.	Parts No.	Description	Q'ty						I	R	
				(A)	(B)	(C)	(D)	(E)	(F)			
1	1	129004-55612	BRACKET, FILTER	1								
2	1	119802-55801	FILTER, FUEL	1								
3	1	26106-080302	BOLT, M8X 30 PLATED	2								
4	1	129457-59010	HOSE ASSY, FUEL	1								
5	2	124766-59050	CLAMP, HOSE 11.5	2								
6	2	129957-59120	TUBE, CORRUGATED 15	1								
7	2	105025-59750	HOSE, FUEL	1								
8	1	129961-59310	HOSE ASSY, FUEL	1								
9	2	124766-59050	CLAMP, HOSE 11.5	2								
10	2	129136-59110	HOSE, D13/7.5X270	1								
11	2	129961-59110	TUBE, CORRUGATED 15	1								
12	1	121750-59890	BAND, NYLON	1								
13	1	129907-59140	PIPE ASSY, RETURN	1								
14	1	123907-59540	BOLT, PIPE JOINT M6	5								
15	1	123907-59550	GASKET	5								
16	1	129927-59550	HOSE ASSY RETURN	1								
17	2	129263-49750	TUBE, CORRUGATED	1								
18	2	124722-59050	CLAMP, HOSE 9	2								
20	1	123907-59560	JOINT, HOSE	1								
21	1	22190-080002	WASHER, SEAL 6	1								
22	1	114110-07760	LABEL, FUEL CAUTION	1								
23	1	119225-52102	PUMP, FUEL FEED	1								
24	1	129242-55700	SEPARATOR ASSY, WATER	1								
25	2	129242-55720	CUP, SEPARATOR	1								
26	2	129242-55730	ELEMENT, FUEL	1								
27	2	129242-55740	PLUG, DRAIN	1								
28	2	129242-55750	VALVE, AIR VENT	1								
29	2	129242-55760	GASKET, PLUG	1								
30	2	129242-55770	FLOAT	1								
31	2	24311-000160	O-RING, 1AP16.0	1								
32	2	24321-000750	O-RING, 1AG75.0	1								

N:Old  $\frac{100}{100}$  New, Q:Old  $\frac{100}{100}$  New, R:Old  $\frac{100}{100}$  New, S:Old  $\frac{100}{100}$  New, W:Add, Z:Discontinued, F:Interchangeable by set, K:Q'ty Change  
Copyright (C) YANMAR GLOBAL CS CO., LTD. All Rights Reserved.

Fig.15. STARTING MOTOR

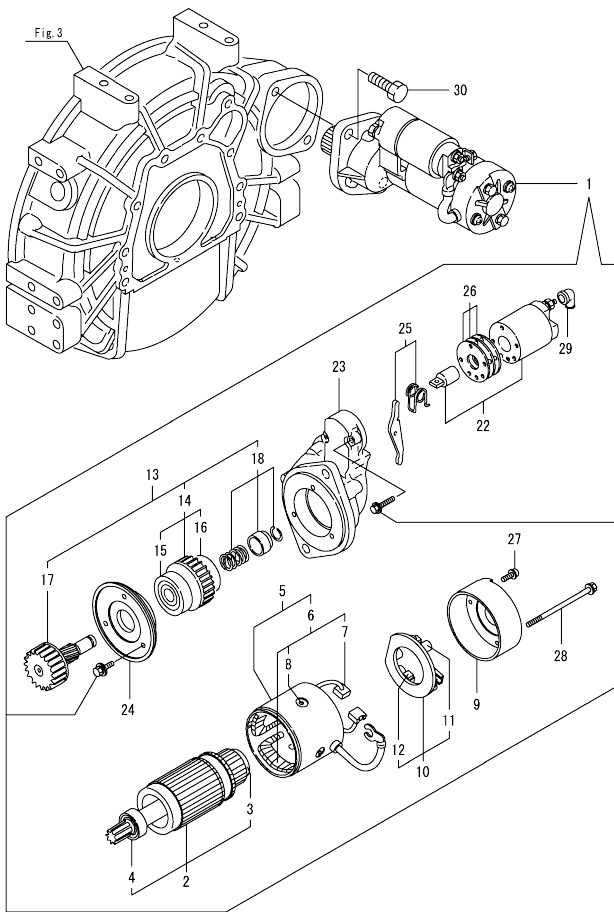
(A)=4TNV98-ZNHQ  
(B)=4TNV98T-ZNHQ  
(C)=

(D)=  
(E)=  
(F)=



No.	Lev.	Parts No.	Description	Q'ty						I	R
				(A)	(B)	(C)	(D)	(E)	(F)		
1	1	129900-77010	STARTER ASSY	1							
2	2	129900-77400	ARMATURE ASSY	1							
3	3	X2114155110	BEARING, BALL	1							
4	3	X2114255110	BEARING, BALL	1							
5	2	129900-77440	COIL ASSY, FIELD	1							
6	3	171008-77450	SCREW, CORE SET	4							
7	3	129900-77450	BRUSH	2							
8	2	129900-77480	HOLDER ASSY, BRUSH	1							
9	3	129900-77450	BRUSH	2							
10	3	X2130631300	SPRING, BRUSH	4							
11	2	129900-77460	COVER	1							
12	2	129900-77591	SWITCH ASSY, MAGNET	1							
13	2	129900-77620	LEVER SET	1							
14	2	129900-77650	COVER KIT, DUST	1							
15	2	129900-77640	BOLT, THROUGH	2							
16	2	129900-77700	CASE ASSY, GEAR	1							
17	3	129900-77510	PINION ASSY, W/CLUTCH	1							
18	4	129900-77540	SHAFT, PINION	1							
19	4	129900-77550	STOPPER SET, PINION	1							
20	4	129900-77520	CLUTCH ASSY	1							
21	5	171008-77730	BEARING, BALL	1							
22	5	171008-77740	BEARING, BALL	1							
23	4	129900-77610	RETAINER, BEARING	1							
24	3	129900-77710	CASE, GEAR	1							
25	2	171008-77750	COVER, TERMINAL	1							
26	1	26116-120302	BOLT, M12X 30 PLATED	2							

Fig.39. (15A)STARTING MOTOR

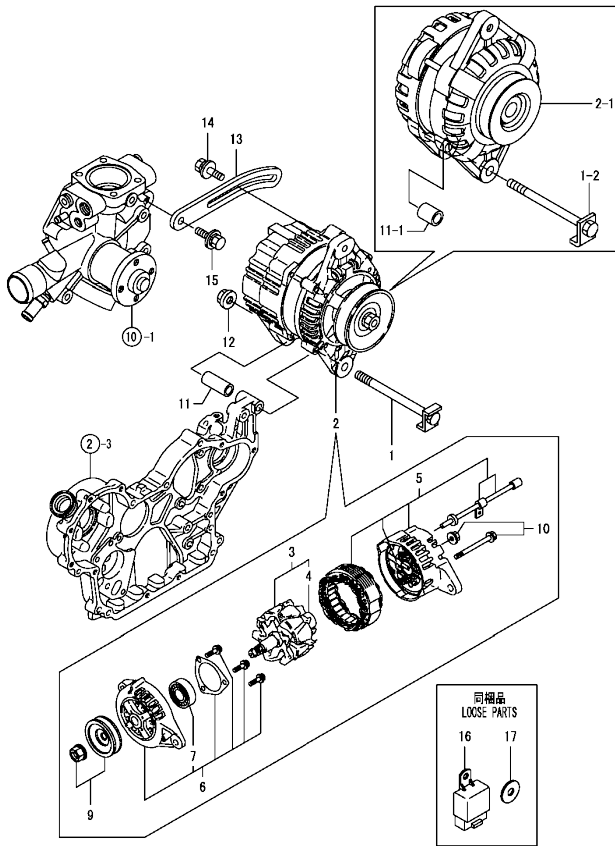


(A)=4TNV98-ZNHQ  
(B)=4TNV98T-ZNHQ  
(C)=

(D)=  
(E)=  
(F)=

No.	Lev.	Parts No.	Description	Q'ty						I	R
				(A)	(B)	(C)	(D)	(E)	(F)		
1	1	129900-77040	STARTER ASSY	1							
2	2	129900-77120	ARMATURE ASSY	1							
3	3	171008-77410	BEARING, BALL	1							
4	3	171008-77420	BEARING, BALL	1							
5	2	129900-77130	YOKE ASSY	1							
6	3	129900-77140	COIL ASSY, FIELD	1							
7	4	129900-77450	BRUSH	2							
8	4	171008-77450	SCREW, CORE SET	4							
9	2	129900-77150	COVER	1							
10	2	129900-77160	HOLDER ASSY, BRUSH	1							
11	3	X2130631300	SPRING, BRUSH	4							
12	3	129900-77450	BRUSH	2							
13	2	129900-77170	CLUTCH ASSY	1							
14	3	129900-77180	CLUTCH ASSY	1							
15	4	129900-77190	BEARING, BALL	1							
16	4	X2114955020	BEARING, BALL	1							
17	3	129900-77270	SHAFT, PINION	1							
18	3	171008-77670	STOPPER SET, PINION	1							
22	2	129900-77280	SWITCH ASSY, MAGNET	1							
23	2	129900-77290	CASE, GEAR	1							
24	2	129900-77380	RETAINER, BEARING	1							
25	2	129900-77390	LEVER ASSY, SHIFT	1							
26	2	129900-77420	COVER KIT, DUST	1							
27	2	129900-77430	SCREW, M4X10	2							
28	2	129685-77640	BOLT, THROUGH	2							
29	2	171008-77750	COVER, TERMINAL	1							
30	1	26116-120302	BOLT, M12X 30 PLATED	2							

OCW10-M47900 4TNV98-ZNHQ  
 Fig.16. GENERATOR



OCW10-M47900 Fig.16

(A)=4TNV98-ZNHQ  
 (B)=4TNV98T-ZNHQ  
 (C)=

(D)=  
 (E)=  
 (F)=

No.	Lev.	Parts No.	Description	Q'ty						I	R
				(A)	(B)	(C)	(D)	(E)	(F)		
1	1	129002-77280	BOLT ASSY	1							
1-1	1	129002-77281 (A=2009.04.)	BOLT, M10	1							N
1-2	1	129908-77220 (A=ER6594)	BOLT, STOPPER M10	1							F 1
2	1	129612-77290	ALTERNATOR, 12V-80A	1							
2-1	1	129908-77200 (A=ER6594)	ALTERNATOR 12V	1							F 1
3	2	123910-77740	ROTOR ASSY	1							
4	3	129900-77810	BEARING, BALL	1							
5	2	129612-77820	BRACKET ASSY	1							
6	2	129900-77890	BRACKET ASSY	1							
7	3	129900-77900	BEARING, BALL	1							
9	2	129900-77910	PULLEY	1							
10	2	129900-77920	SCREW KIT	1							
11	1	129002-77340	PIECE, DISTANCE	1							
11-1	1	129908-77360 (A=ER6594)	PIECE, DISTANCE	1							F 1
12	1	26306-100002	NUT, M10	1							
13	1	129916-77300	ADJUSTER, BELT	1							
14	1	119810-77340	BOLT, ADJUST L=30	1							
15	1	26014-080252	BOLT, M8X 25	1							
16	1	198461-52950	RELAY, CA TYPE C	3							
17	1	129927-77690	WASHER, ECU	3							

Remarks

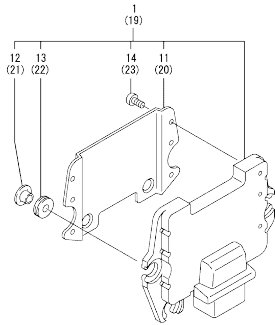
(1)Interchangeable by simultaneous replacement with No.1-2, 2-1 & 11-1.

N:Old  $\frac{100}{100}$  New, Q:Old  $\frac{100}{100}$  New, R:Old  $\frac{100}{100}$  New, S:Old  $\frac{100}{100}$  New, W:Add, Z:Discontinued, F:Interchangeable by set, K:Q'ty Change  
 Copyright (C) YANMAR GLOBAL CS CO., LTD. All Rights Reserved.

Fig.17. ELECTRONIC CONTROL UNIT (ECU)

(A)=4TNV98-ZNHQ  
(B)=4TNV98T-ZNHQ  
(C)=

(D)=  
(E)=  
(F)=



No.	Lev.	Parts No.	Description	Q'ty						I	R
				(A)	(B)	(C)	(D)	(E)	(F)		
1	1	129921-75070	CONTROLLER ASSY, EUC	1							1
11	2	129927-77600	SHIELD, ECU	1							
12	2	129927-77680	COLLAR, CONTROL	3							
13	2	119578-91351	ABSORBER	3							
14	2	22877-500080	SCREW, 5X 8	6							
19	1	129927-75900	ECU ASSY, SERVICE	1							2
20	2	129927-77600	SHIELD, ECU	1							
21	2	129927-77680	COLLAR, CONTROL	3							
22	2	119578-91351	ABSORBER	3							
23	2	22877-500080	SCREW, 5X 8	6							

Remarks

(1)ECO ECU  
THIS PART CANNOT BE ORDERED.  
REPLACE THE PART USING A SERVICE  
ECU WITH THE PROPER ENGINE  
INFORMATION INSTALLED.  
(2)SERVICE ECU  
IF THE PROPER INFORMATION IS NOT  
INSTALLED, THE ENGINE WILL NOT  
OPERATE.  
TO INSTALL PROPER INFORMATION,  
GO TO AN AUTHORIZED DISTRIBUTOR.

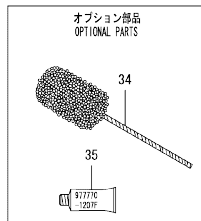
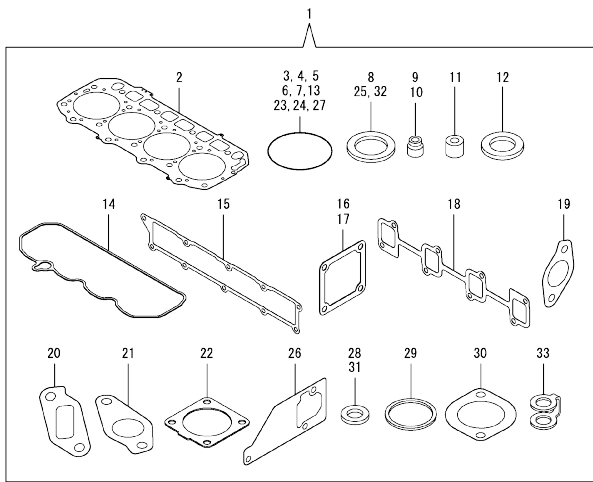


OCW10-M47900 4TNV98-ZNHQ  
 Fig.18. GASKET SET

OCW10-M47900 Fig.18

(A)=4TNV98-ZNHQ  
 (B)=4TNV98T-ZNHQ  
 (C)=

(D)=  
 (E)=  
 (F)=



No.	Lev.	Parts No.	Description	Q'ty						I	R
				(A)	(B)	(C)	(D)	(E)	(F)		
1	1	729927-92840	GASKET SET	1							1
2	2	129907-01331	GASKET, HEAD	1							
3	2	129900-32030	O-RING, P20	2							
4	2	129900-32040	O-RING, P14	1							
5	2	24351-030750	O-RING, 1A3075	1							
6	2	24311-000320	O-RING, 1AP32.0	2							
7	2	24321-000850	O-RING, 1AG85.0	1							
8	2	22190-220002	WASHER, SEAL 22	1							
9	2	119803-11340	SEAL, VALVE STEM	8							
10	2	124160-11340	SEAL, VALVE STEM	8							
11	2	119802-11870	PROTECTOR, NOZZLE	4							
12	2	119625-11880	SEAT, NOZZLE	4							
13	2	24311-000120	O-RING, 1AP12.0	8							
14	2	129933-11310	GASKET, BONNET	1							
15	2	129907-12110	GASKET, MANIFOLD	1							
16	2	119129-77020	GASKET	1							
17	2	121850-77021	GASKET, AIR HEATER	1							
18	2	129900-13251	GASKET, EXH.MANIFOLD	1							
19	2	129927-13810	GASKET	1							
20	2	129927-13910	GASKET, EGR	1							
21	2	129927-13920	GASKET, EGR	1							
22	2	129930-13201	GASKET, SILENCER	1							
23	2	24341-000530	O-RING, 1AS53.0	1							
24	2	24321-000600	O-RING, 1AG60.0	1							
25	2	22190-080002	WASHER, SEAL 6	9							
26	2	129900-42061	GASKET, WATER PUMP	1							
27	2	129900-42140	O-RING, P36	2							
28	2	23414-080000	GASKET, 8X1.0	1							
29	2	121850-49550	GASKET, THERMOSTAT	1							
30	2	129900-49560	GASKET	1							
31	2	124465-44950	GASKET, 16	2							
32	2	22190-120002	WASHER, SEAL 12	1							
33	2	123907-59550	GASKET	5							
34	1	129400-92450	HONE, FLEX	1							1
35	1	977770-1207F	GASKET, LIQUID	1							1

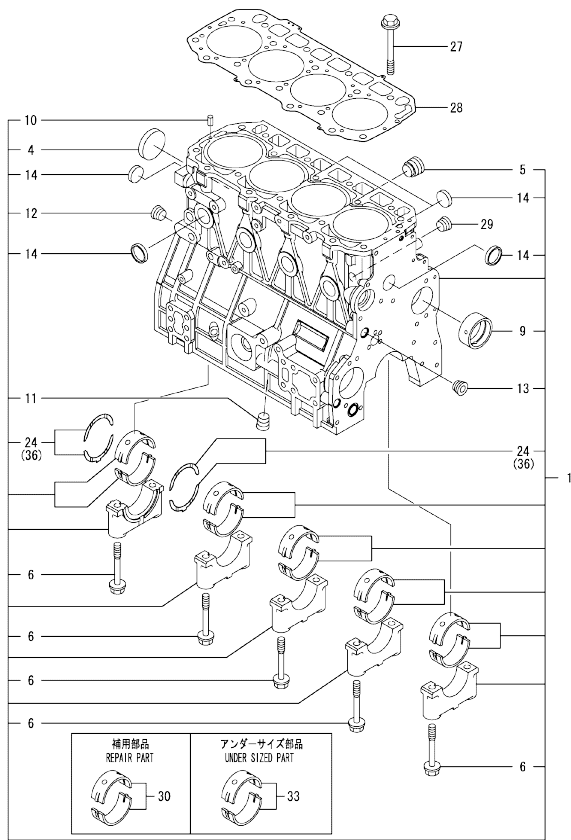
Remarks  
 (1) OPTIONAL PART.

N:Old  $\frac{100}{100}$  New, Q:Old  $\frac{100}{100}$  New, R:Old  $\frac{100}{100}$  New, S:Old  $\frac{100}{100}$  New, W:Add, Z:Discontinued, F:Interchangeable by set, K:Qty Change  
 Copyright (C) YANMAR GLOBAL CS CO., LTD. All Rights Reserved.

Fig.19. CYLINDER BLOCK

(A)=4TNV98-ZNHQ  
(B)=4TNV98T-ZNHQ  
(C)=

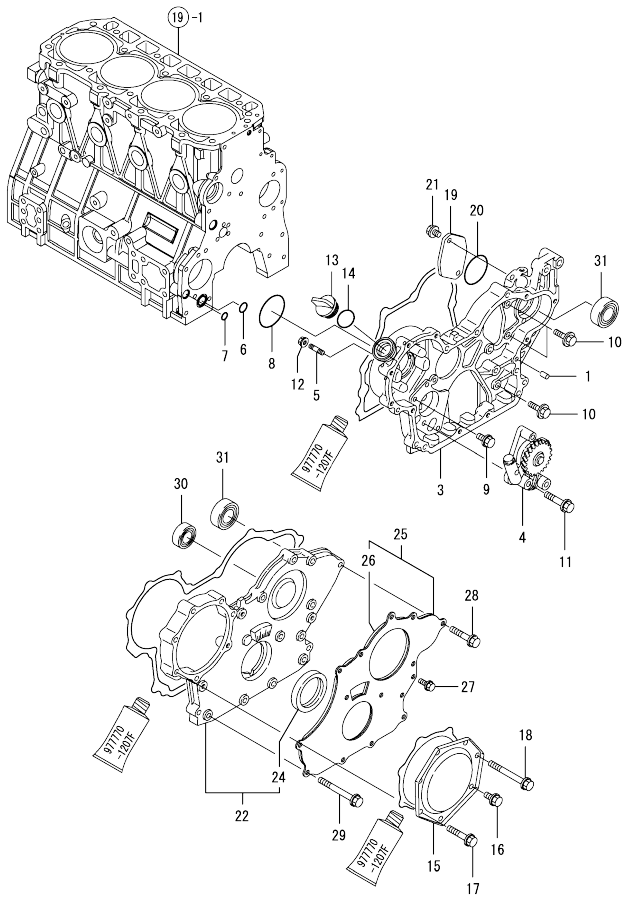
(D)=  
(E)=  
(F)=



No.	Lev.	Parts No.	Description	Q'ty						I	R	
				(A)	(B)	(C)	(D)	(E)	(F)			
1	1	729928-01560	BLOCK ASSY, CYLINDER		1							
4	2	129900-01250	PLUG, DISH TYPE 55		1							
5	2	171051-01921	PLUG, NPTF1		1							
6	2	129900-02020	BOLT, METAL CAP		10							
9	2	129900-02410	BUSH, CAMSHAFT		1							
10	2	22351-060012	PIN, SPRING 6.0X12		2							
11	2	23876-030000	PLUG, R03		1							
12	2	23876-030000	PLUG, R03		1							
13	2	23876-030000	PLUG, R03		1							
14	2	27241-300000	PLUG 30		8							
24	2	129900-02931	BEARING ASSY, THRUST		2							
27	1	129900-01200	BOLT, CYLINDER HEAD		18							
28	1	129907-01331	GASKET, HEAD		1							
29	1	23876-030000	PLUG, R03		5							
30	1	729900-02801	BEARING, MAIN		5							1
33	1	129900-02341	BEARING ASSY, MAIN		5							2
36	1	129900-02941	BEARING, THRUST 0.25		2							3

Remarks  
(1) REPAIR PART.  
(2) UNDER-SIZED(U.S=0.25)PART.  
(3) OVER-SIZED(O.S=0.25)PART.

Fig.20. GEAR HOUSING

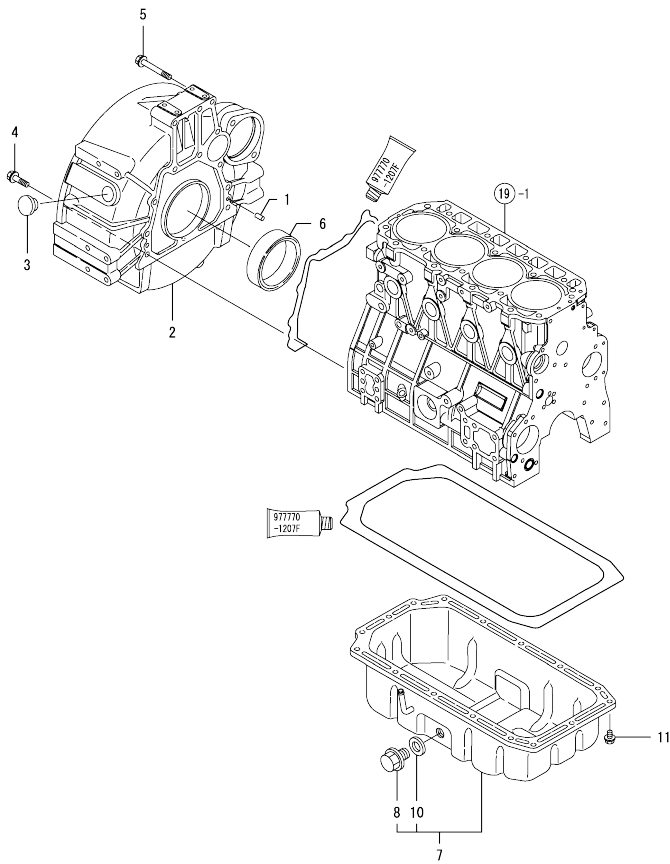


(A)=4TNV98-ZNHQ  
(B)=4TNV98T-ZNHQ  
(C)=

(D)=  
(E)=  
(F)=

No.	Lev.	Parts No.	Description	Qty						
				(A)	(B)	(C)	(D)	(E)	(F)	
1	1	129100-01580	PIN, PARALLEL 8X16		4					
3	1	129972-01500	CASE, GEAR		1					
4	1	129908-32060	PUMP ASSY, OIL		1					
5	1	26216-100302	STUD, M10X 30		4					
6	1	129900-32030	O-RING, P20		1					
7	1	129900-32040	O-RING, P14		1					
8	1	24351-030750	O-RING, 1A3075		1					
9	1	26106-080162	BOLT, M8X 16 PLATED		1					
10	1	26106-080202	BOLT, M8X 20 PLATED		3					
11	1	26106-080452	BOLT, M8X 45 PLATED		3					
12	1	26306-100002	NUT, M10		4					
13	1	124160-01751	CAP, FILLER		1					
14	1	24311-000320	O-RING, 1AP32.0		1					
15	1	129900-01740	COVER		1					
16	1	26106-080162	BOLT, M8X 16 PLATED		1					
17	1	26106-080402	BOLT, M8X 40 PLATED		5					
18	1	26106-080702	BOLT, M8X 70 PLATED		1					
19	1	129930-01870	COVER		1					
20	1	24321-000850	O-RING, 1AG85.0		1					
21	1	26106-100202	BOLT, M10X 20 PLATED		2					
22	1	729906-01550	COVER ASSY,GEAR CASE		1					
24	2	129916-01800	SEAL, OIL		1					
25	1	129900-01850	COVER ASSY,GEAR CASE		1					
26	2	129900-01870	SPONGE, GEAR CASE		1					
27	1	26106-080162	BOLT, M8X 16 PLATED		3					
28	1	26106-080402	BOLT, M8X 40 PLATED		5					
29	1	26106-080702	BOLT, M8X 70 PLATED		6					
30	1	129900-14140	BEARING, BALL 6205		1					
31	1	129900-26250	BEARING, BALL 6206C3		2					

Fig.21. FLYWHEEL HOUSING & OIL SUMP

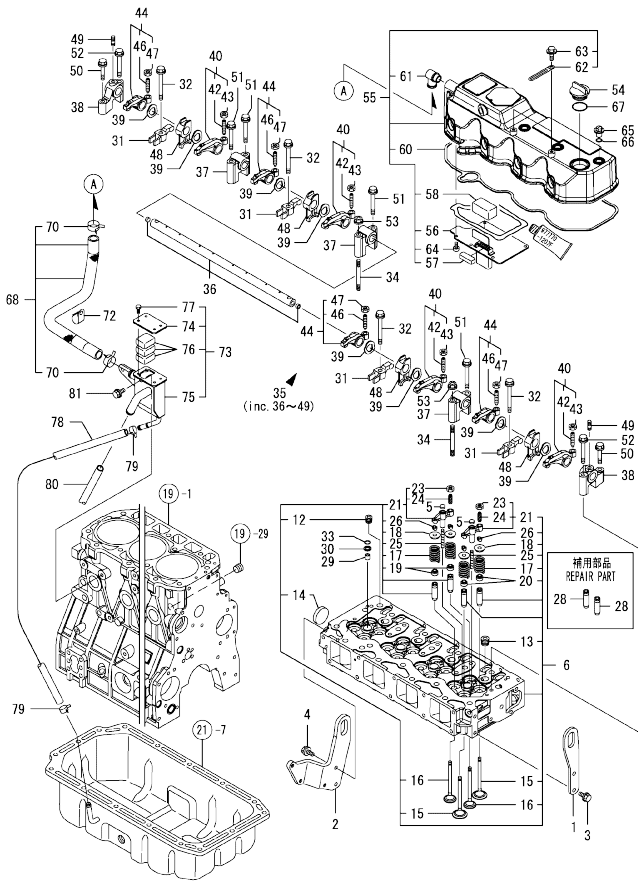


(A)=4TNV98-ZNHQ  
(B)=4TNV98T-ZNHQ  
(C)=

(D)=  
(E)=  
(F)=

No.	Lev.	Parts No.	Description	Q'ty						
				(A)	(B)	(C)	(D)	(E)	(F)	
1	1	129100-01580	PIN, PARALLEL 8X16		2					
2	1	129955-01600	HOUSING, FLYWHEEL		1					
3	1	119620-01750	CAP		1					
4	1	26206-100352	BOLT, M10X 35 PLATED		9					
5	1	26206-100702	BOLT, M10X 70 PLATED		3					
6	1	129916-01790	SEAL, D115/95XT11		1					
7	1	129928-01710	OIL PAN ASSY		1					
8	2	119640-01640	PLUG, DRAIN M22		1					
10	2	22190-220002	WASHER, SEAL 22		1					
11	1	26106-080122	BOLT, M8X 12 PLATED		16					

Fig.22. CYLINDER HEAD & BONNET



(A)=4TNV98-ZNHQ  
(B)=4TNV98T-ZNHQ  
(C)=

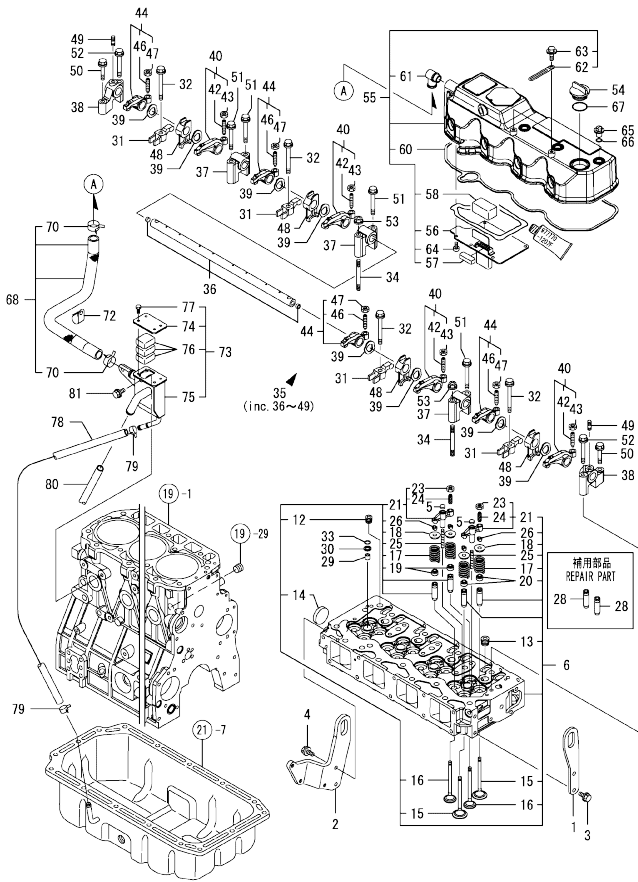
(D)=  
(E)=  
(F)=

No.	Lev.	Parts No.	Description	Q'ty						I	R
				(A)	(B)	(C)	(D)	(E)	(F)		
1	1	129907-07900	LIFTER, ENGINE		1						
2	1	129948-07900	LIFTER, ENGINE		1						
3	1	26106-080162	BOLT, M8X 16 PLATED		2						
4	1	26106-080202	BOLT, M8X 20 PLATED		2						
5	1	123907-11550	SEAT, VALVE BRIDGE		8						
6	1	129928-11700	HEAD ASSY, CYLINDER		1						
12	2	23876-020000	PLUG, R02		1						
13	2	23876-030000	PLUG, R03		4						
14	2	27241-400000	PLUG, 40		1						
15	2	129907-11100	VALVE, SUCTION		8						
16	2	129907-11110	VALVE, EXHAUST		8						
17	2	129907-11120	SPRING, VALVE		16						
18	2	119620-11180	RETAINER, SPRING		16						
19	2	119803-11340	SEAL, VALVE STEM		8						
20	2	124160-11340	SEAL, VALVE STEM		8						
21	2	129907-11510	BRIDGE ASSY, VALVE		8						
23	3	129150-11750	NUT, M8		8						
24	3	123907-11830	ADJUSTER		8						
25	2	123907-11820	GUIDE, BRIDGE		8						
26	2	27310-070001	COTTER, 7		16						
28	1	129907-11800	GUIDE, VALVE		16						1
29	1	119802-11870	PROTECTOR, NOZZLE		4						
30	1	119625-11880	SEAT, NOZZLE		4						
31	1	129907-11910	RETAINER, NOZZLE		4						
32	1	129907-11950	BOLT, M8X75		4						
33	1	24311-000120	O-RING, 1AP12.0		4						
34	1	119593-11301	BOLT, STUD M8X80		2						
35	1	129907-11341	SHAFT ASSY, ROCKER		1						
36	2	129907-11250	SHAFT, ROCKER ARM		1						
37	2	129907-11260	SUPPORT, ROCKER ARM		3						
38	2	129907-11270	SUPPORT, ROCKER ARM		2						
39	2	123907-11280	WASHER		8						
40	2	129907-11650	ARM ASSY, ROCKER		4						
42	3	129150-11230	SCREW, VALVE ADJUST		4						
43	3	129150-11750	NUT, M8		4						
44	2	129907-11660	ARM ASSY, ROCKER		4						
46	3	129150-11230	SCREW, VALVE ADJUST		4						
47	3	129150-11750	NUT, M8		4						
48	2	129907-11920	RETAINER, NOZZLE		4						
49	2	26226-080222	STUD, M8X 22		2						
50	1	26106-080402	BOLT, M8X 40 PLATED		2						
51	1	26106-080602	BOLT, M8X 60 PLATED		4						
52	1	26106-080602	BOLT, M8X 60 PLATED		2						
53	1	26306-080002	NUT, M8		2						
54	1	124160-01751	CAP, FILLER		1						
55	1	129948-11300	BONNET ASSY, HEAD		1						
56	2	129907-03011	PLATE, BAFFLE		1						
57	2	129907-03061	BAFFLE, BREATHER		1						
58	2	129907-03070	BAFFLE, BREATHER		1						
60	2	129933-11310	GASKET, BONNET		1						
61	2	119100-11330	ELBOW, BREATHER		1						

Remarks  
(1) REPAIR PART.

N:Old  $\frac{New}{100}$  New, Q:Old  $\frac{New}{100}$  New, R:Old  $\frac{New}{100}$  New, S:Old  $\frac{New}{100}$  New, W:Add, Z:Discontinued, F:Interchangeable by set, K:Q'ty Change  
 ++ CONTINUE ++  
 Copyright (C) YANMAR GLOBAL CS CO., LTD. All Rights Reserved.

Fig.22. CYLINDER HEAD & BONNET



(A)=4TNV98-ZNHQ  
(B)=4TNV98T-ZNHQ  
(C)=

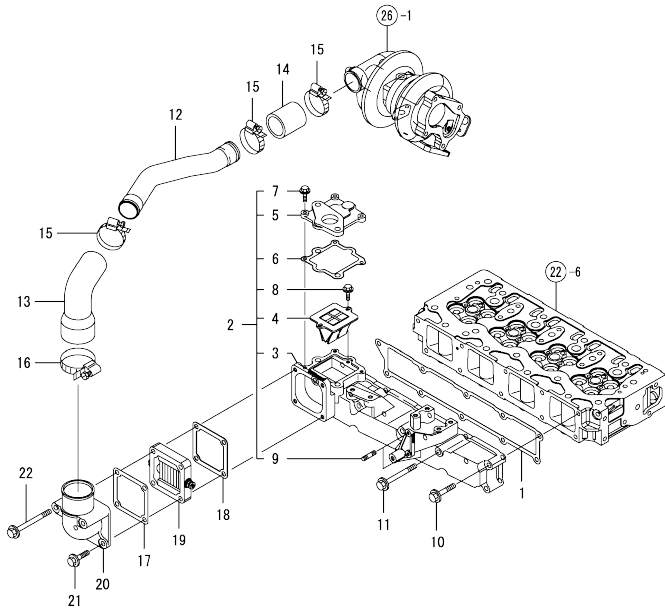
(D)=  
(E)=  
(F)=

No.	Lev.	Parts No.	Description	Q'ty						
				(A)	(B)	(C)	(D)	(E)	(F)	
62	2	129509-79700	CLAMP, 140-M6							2
63	2	26106-060122	BOLT, M6X 12 PLATED							2
64	2	22857-500100	SCREW, 5X10							6
65	1	124160-11360	KNOB							4
66	1	24311-000120	O-RING, 1AP12.0							4
67	1	24311-000320	O-RING, 1AP32.0							1
68	1	129948-03080	HOSE ASSY, BREATHER							1
70	2	129410-03990	CLAMP, HOSE 21.5							2
72	1	129150-03100	RETAINER, PIPE							1
73	1	129972-03240	SEPARATOR ASSY, MIST							1
74	2	129972-03220	COVER, SEPARATOR							1
75	2	129972-03230	SEPARATOR, MIST							1
76	2	123901-03240	FILTER							3
77	2	26116-050102	BOLT, M5X 10 PLATED							4
78	1	123951-03300	HOSE							1
79	1	23000-022000	CLAMP, 22							2
80	1	23065-160250	PIPE, 16X 250							1
81	1	26106-080142	BOLT, M8X 14 PLATED							2

Remarks  
(1) REPAIR PART.

N:Old  $\frac{100}{100}$  New, Q:Old  $\frac{100}{100}$  New, R:Old  $\frac{100}{100}$  New, S:Old  $\frac{100}{100}$  New, W:Add, Z:Discontinued, F:Interchangeable by set, K:Q'ty Change  
Copyright (C) YANMAR GLOBAL CS CO., LTD. All Rights Reserved.

Fig.23. SUCTION MANIFOLD

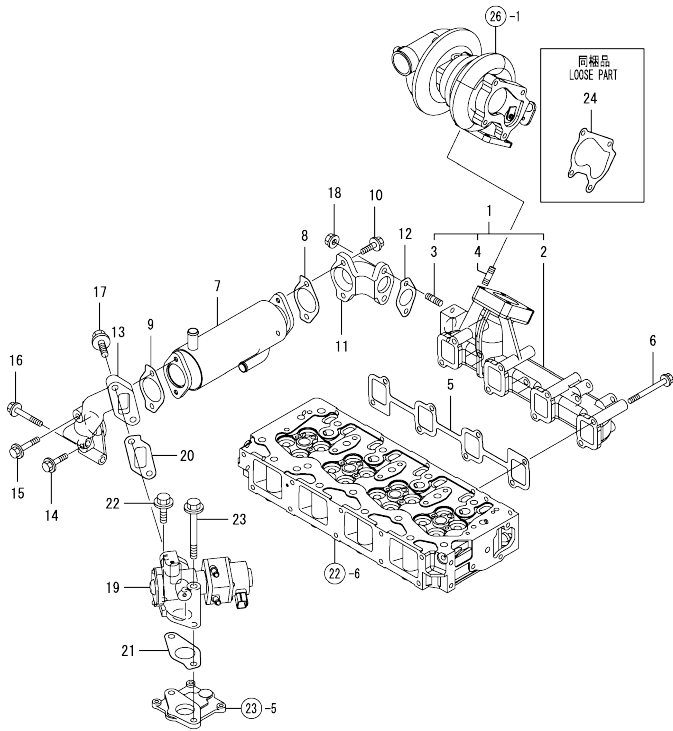


(A)=4TNV98-ZNHQ  
(B)=4TNV98T-ZNHQ  
(C)=

(D)=  
(E)=  
(F)=

No.	Lev.	Parts No.	Description	Q'ty						I	R	
				(A)	(B)	(C)	(D)	(E)	(F)			
1	1	129907-12110	GASKET, MANIFOLD									
2	1	129928-12150	MANIFOLD ASSY,INTAKE									
3	2	129928-12100	MANIFOLD, AIR INTAKE									
4	2	129928-13700	VALVE, LEAD									
5	2	129928-13710	SPACER, EGR VALVE									
6	2	129928-13720	GASKET									
7	2	26106-060202	BOLT, M6X 20 PLATED									
8	2	26106-060202	BOLT, M6X 20 PLATED									
9	2	26216-060202	STUD, M6X 20									
10	1	26106-080452	BOLT, M8X 45 PLATED									
11	1	26106-080802	BOLT, M8X 80 PLATED									
12	1	129928-18200	DUCT, AIR									
13	1	129974-18210	JOINT, RUBBER									
14	1	123951-18220	JOINT, RUBBER									
15	1	23000-054000	CLAMP, 54									
16	1	23000-080000	CLAMP, 80									
17	1	119129-77020	GASKET									
18	1	121850-77021	GASKET, AIR HEATER									
19	1	119005-77051	HEATER, AIR									
20	1	119129-77520	BEND									
21	1	26106-080402	BOLT, M8X 40 PLATED									
22	1	26106-080902	BOLT, M8X 90 PLATED									

Fig.24. EXHAUST MANIFOLD



(A)=4TNV98-ZNHQ  
(B)=4TNV98T-ZNHQ  
(C)=

(D)=  
(E)=  
(F)=

No.	Lev.	Parts No.	Description	Q'ty						I	R
				(A)	(B)	(C)	(D)	(E)	(F)		
1	1	129928-13150	MANIFOLD ASSY, EXH.		1						
2	2	129928-13100	MANIFOLD, EXHAUST		1						
3	2	129418-18320	BOLT, STUD M8X20			2					
4	2	129418-18320	BOLT, STUD M8X20		4						
5	1	129900-13251	GASKET, EXH.MANIFOLD		1						
6	1	123900-13630	BOLT, M8X80		8						
7	1	129928-13400	COOLER ASSY, EGR		1						
8	1	129928-13410	GASKET		1						
9	1	129928-13410	GASKET		1						
10	1	119802-13790	BOLT, M8X25 10.9T		2						
11	1	129948-13800	PIPE, EGR IN		1						
12	1	129927-13810	GASKET		1						
13	1	129948-13810	PIPE, EGR IN		1						
14	1	26106-080352	BOLT, M8X 35 PLATED		1						
15	1	26106-080452	BOLT, M8X 45 PLATED		1						
16	1	26106-080552	BOLT, M8X 55 PLATED		2						
17	1	26106-100252	BOLT, M10X 25 PLATED		2						
18	1	26306-080002	NUT, M8		2						
19	1	129927-13900	VALVE, EGR		1						
20	1	129927-13910	GASKET, EGR		1						
21	1	129927-13920	GASKET, EGR		1						
22	1	26106-100402	BOLT, M10X 40 PLATED		1						
23	1	26106-101052	BOLT, M10X105 PLATED		1						
24	1	123901-18080	GASKET		1						





Fig.26. TURBINE

(A)=4TNV98-ZNHQ  
 (B)=4TNV98T-ZNHQ  
 (C)=

(D)=  
 (E)=  
 (F)=

No.	Lev.	Parts No.	Description	Q'ty						
				(A)	(B)	(C)	(D)	(E)	(F)	
1	1	129935-18010	TURBOCHARGER, RHF5		1					
2	1	129472-18090	GASKET		1					
3	1	119131-18320	BOLT, STUD M8X22		4					
4	1	26306-080002	NUT, M8		4					

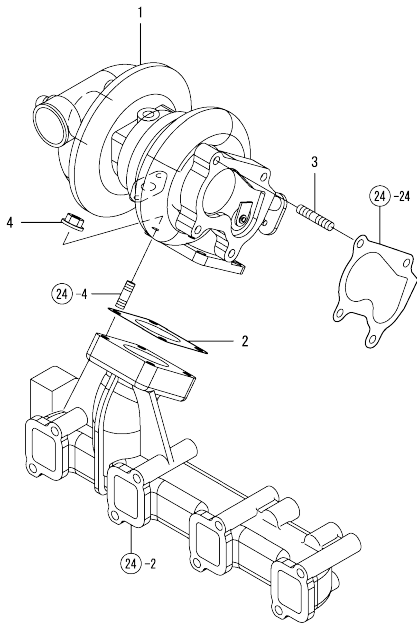
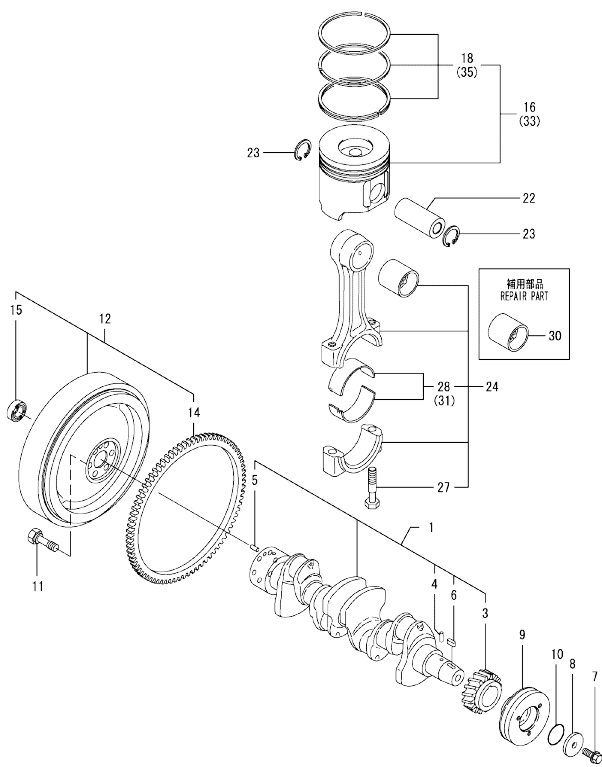


Fig.27. CRANKSHAFT & PISTON



(A)=4TNV98-ZNHQ  
(B)=4TNV98T-ZNHQ  
(C)=

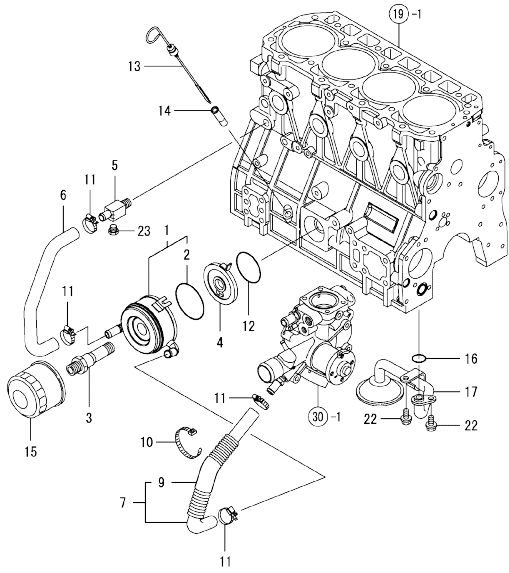
(D)=  
(E)=  
(F)=

No.	Lev.	Parts No.	Description	Q'ty						I	R
				(A)	(B)	(C)	(D)	(E)	(F)		
1	1	129908-21100	CRANKSHAFT ASSY		1						
3	2	129900-21220	GEAR, CRANKSHAFT		1						
4	2	121850-21290	PIN		1						
5	2	121850-21920	PIN, PARALLEL 10X22		1						
6	2	22512-070140	KEY, 7X 14		1						
7	1	129916-21610	BOLT		1						
8	1	129960-21640	WASHER		1						
9	1	129907-21650	V-PULLEY, CRANK 130		1						
10	1	24341-000530	O-RING, 1AS53.0		1						
11	1	121850-21130	BOLT, FLYWHEEL		6						
12	1	129948-21580	FLYWHEEL ASSY		1						
14	2	129900-21600	GEAR, RING		1						
15	2	24104-060054	BEARING, BALL 6005UU		1						
16	1	129928-22080	PISTON ASSY		4						
18	2	129927-22050	RING SET, PISTON		4						
22	1	120130-22301	PIN, PISTON		4						
23	1	22252-000300	RING, 30		8						
24	1	129900-23001	ROD ASSY, CONNECTING		4						
27	2	129900-23200	BOLT, CONNECTING ROD		8						
28	2	129900-23601	BEARING, CRANK PIN		4						
30	1	129900-23911	BEARING, PISTON PIN		4						1
31	1	129900-23611	BEARING ASSY, 0.25US		4						2
33	1	729928-22900	PISTON ASSY, 0.25 OS		4						3
35	2	729927-22950	RING SET, 0.25 OS		4						3

Remarks

- (1) REPAIR PART.
- (2) UNDER-SIZED(U.S=0.25)PART.
- (3) OVER-SIZED(O.S=0.25)PART.

Fig.28. LUB.OIL SYSTEM



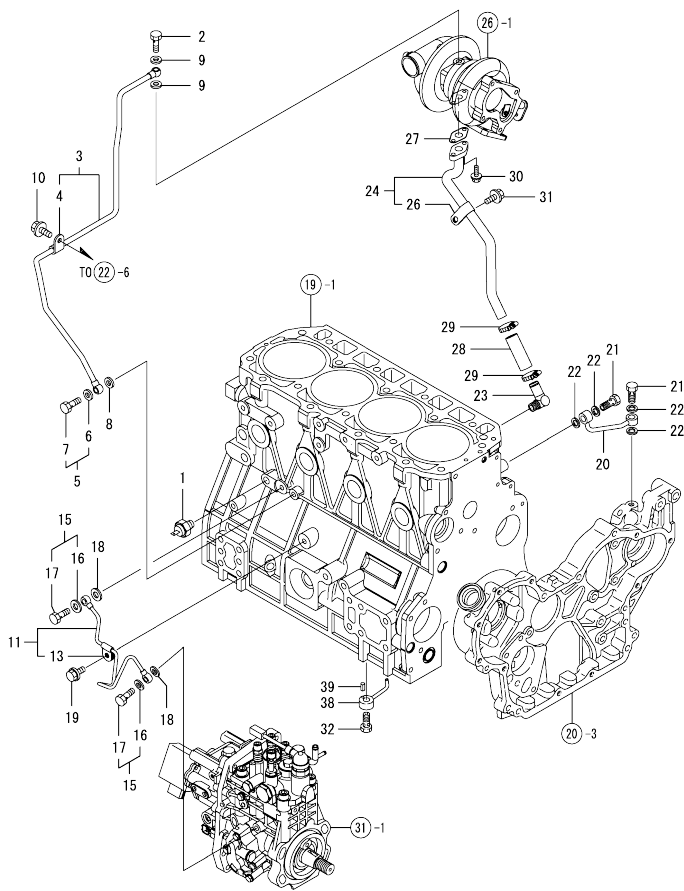
(A)=4TNV98-ZNHQ  
(B)=4TNV98T-ZNHQ  
(C)=

(D)=  
(E)=  
(F)=

No.	Lev.	Parts No.	Description	Q'ty						I	R
				(A)	(B)	(C)	(D)	(E)	(F)		
1	1	129908-33010	COOLER ASSY, OIL		1						
2	2	123912-33050	O-RING			1					
3	1	123912-33100	BOLT, COOLER			1					
4	1	129908-33101	BRACKET, OIL COOLER		1						
5	1	129006-44480	JOINT		1						
6	1	129908-49060	HOSE, WATER		1						
7	1	123910-49600	HOSE ASSY, WATER		1						
9	2	123910-49610	TUBE, CORRUGATED		1						
10	1	121750-59890	BAND, NYLON		1						
11	1	23000-025000	CLAMP, 25		4						
12	1	24321-000600	O-RING, 1AG60.0		1						
13	1	129900-34800	DIPSTICK		1						
14	1	121520-34810	GUIDE, DIPSTICK		1						
15	1	129150-35153	FILTER ASSY, D80X80L		1						1
16	1	129900-32030	O-RING, P20		1						
17	1	129900-35000	PIPE ASSY, OIL INLET		1						
22	1	26106-080122	BOLT, M8X 12 PLATED		2						
23	1	171056-49120	PLUG, DRAIN R1/4		1						

Remarks  
(1) REPAIR PART.

Fig.29. LUB.OIL LINE

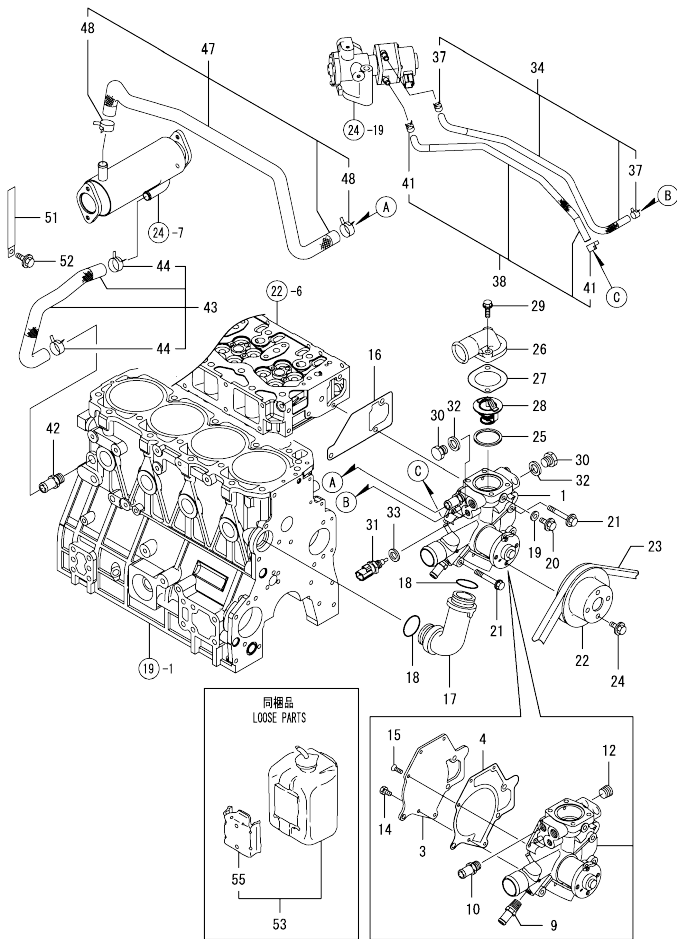


(A)=4TNV98-ZNHQ  
(B)=4TNV98T-ZNHQ  
(C)=

(D)=  
(E)=  
(F)=

No.	Lev.	Parts No.	Description	Q'ty						I	R	
				(A)	(B)	(C)	(D)	(E)	(F)			
1	1	119761-39450	SWITCH, HYDRAULIC									
2	1	121252-39150	BOLT, JOINT M10X1.5									
3	1	129928-39450	PIPE ASSY, OIL									
4	2	124223-39900	RETAINER									
5	1	129005-59830	BOLT ASSY, JOINT M8									
6	2	22190-080002	WASHER, SEAL 6									
7	2	23857-030000	BOLT, JOINT 3									
8	1	22190-080002	WASHER, SEAL 6									
9	1	23414-100000	GASKET, 10X1.0									
10	1	26106-080122	BOLT, M8X 12 PLATED									
11	1	129927-39060	PIPE ASSY, OIL									
13	2	123907-39500	RETAINER, PIPE									
15	1	129005-59830	BOLT ASSY, JOINT M8									
16	2	22190-080002	WASHER, SEAL 6									
17	2	23857-030000	BOLT, JOINT 3									
18	1	22190-080002	WASHER, SEAL 6									
19	1	26106-080122	BOLT, M8X 12 PLATED									
20	1	129930-39050	PIPE, OIL									
21	1	105010-39140	BOLT, PIPE JOINT									
22	1	22190-080002	WASHER, SEAL 6									
23	1	124070-13300	ELBOW, PT3/8									
24	1	129935-39610	PIPE, OIL									
26	2	123910-39850	RETAINER									
27	1	129908-39690	GASKET									
28	1	123901-39820	HOSE, LO RETURN									
29	1	23000-025000	CLAMP, 25									
30	1	26106-060162	BOLT, M6X 16 PLATED									
31	1	26106-080122	BOLT, M8X 12 PLATED									
32	1	129908-39410	VALVE ASSY, CHECK									
38	1	119000-39650	NOZZLE, COOLING									
39	1	22351-030010	PIN, SPRING 3.0X10									

Fig.30. COOLING WATER SYSTEM

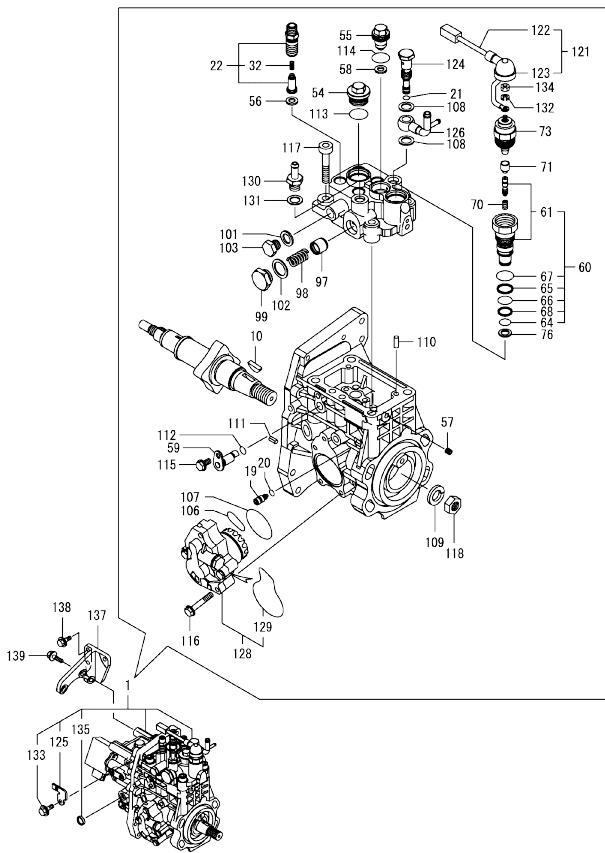


(A)=4TNV98-ZNHQ  
(B)=4TNV98T-ZNHQ  
(C)=

(D)=  
(E)=  
(F)=

No.	Lev.	Parts No.	Description	Qty						I	R	
				(A)	(B)	(C)	(D)	(E)	(F)			
1	1	129949-42010	PUMP ASSY, WATER		1							
3	2	129900-42161	COVER		1							
4	2	129900-42170	GASKET		1							
9	2	129963-49300	JOINT, D14		1							
10	2	129928-49420	JOINT		1							
12	2	129916-49740	PLUG, R3/8		1							
14	2	26116-060162	BOLT, M6X 16 PLATED		2							
15	2	26577-060162	SCREW, M6X16		3							
16	1	129900-42061	GASKET, WATER PUMP		1							
17	1	129900-42070	PIPE, WATER		1							
18	1	129900-42140	O-RING, P36		2							
19	1	23414-080000	GASKET, 8X1.0		1							
20	1	26106-080122	BOLT, M8X 12 PLATED		1							
21	1	26106-080552	BOLT, M8X 55 PLATED		3							
22	1	129900-42450	V-PULLEY, C.W.PUMP		1							
23	1	25132-004800	V-BELT, A48		1							
24	1	26106-080122	BOLT, M8X 12 PLATED		4							
25	1	121850-49550	GASKET, THERMOSTAT		1							
26	1	129900-49551	COVER, THERMOSTAT		1							
27	1	129900-49560	GASKET		1							
28	1	121850-49810	THERMOSTAT, 71C		1							
29	1	26106-080252	BOLT, M8X 25 PLATED		2							
30	1	121450-42450	PLUG, M16		2							
31	1	129927-44900	SENSOR, WATER TEMP.		1							
32	1	124465-44950	GASKET, 16		2							
33	1	22190-120002	WASHER, SEAL 12		1							
34	1	129938-49650	PIPE ASSY, WATER		1							
37	2	23080-012000	CLAMP, 12		2							
38	1	129938-49660	PIPE ASSY, WATER		1							
41	2	23080-012000	CLAMP, 12		2							
42	1	129928-49420	JOINT		1							
43	1	129948-49610	HOSE ASSY, WATER		1							
44	2	129960-03990	CLAMP, HOSE 19.8		2							
47	1	129948-49620	HOSE ASSY, WATER		1							
48	2	129960-03990	CLAMP, HOSE 19.8		2							
51	1	129928-79700	CLAMP, 150-M8		1							
52	1	26106-080122	BOLT, M8X 12 PLATED		1							
53	1	720445-44200	TANK ASSY, SUB		1							
55	2	120445-44540	SUPPORT		1							

Fig.31. FUEL INJECTION PUMP



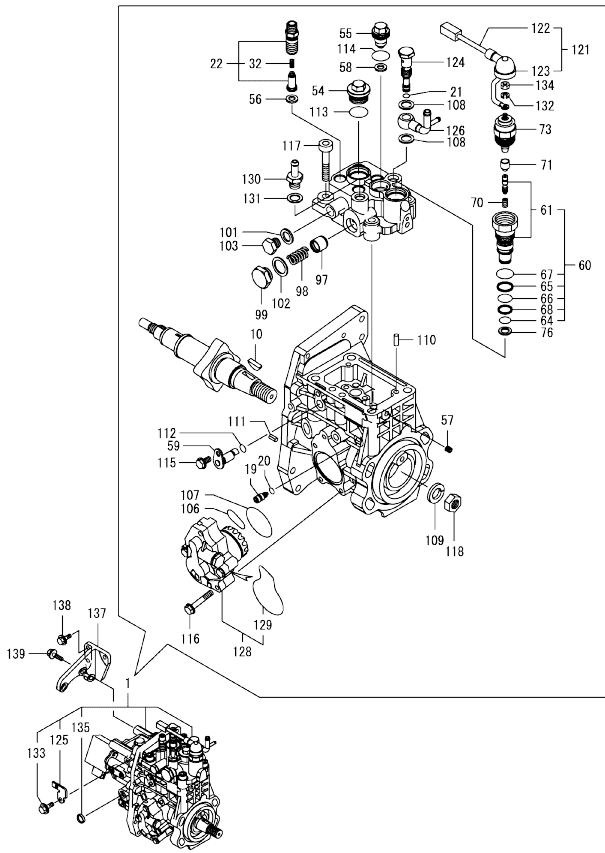
(A)=4TNV98-ZNHQ  
(B)=4TNV98T-ZNHQ  
(C)=

(D)=  
(E)=  
(F)=

No.	Lev.	Parts No.	Description	Q'ty						I	R
				(A)	(B)	(C)	(D)	(E)	(F)		
1	1	729928-51300	PUMP ASSY, INJECTION	1							1
10	2	144626-51090	FEATHER KEY, 5X19	1							
19	2	158600-51270	STOPPER, TAPPET	1							
20	2	158563-51281	O-RING, 4D S6	1							
21	2	158563-51281	O-RING, 4D S6	1							
22	2	129928-51390	VALVE ASSY, DELIVERY	4							
32	3	158563-51330	SPRING, DELIVERY	4							
54	2	158601-51550	PLUG, M22	1							
55	2	129907-51560	PLUG, M16	1							
56	2	158552-51571	GASKET, PLUG	4							
57	2	158557-51570	PLUG, RACK	1							
58	2	129906-51580	GASKET, PLUG	1							
59	2	158552-51580	LIFTER, LINK	1							
60	2	129657-51590	TIMER ASSY	1							
61	3	129657-51600	TIMER ASSY	1							
64	3	158553-51670	O-RING	1							
65	3	119802-51680	RING, BACKUP	1							
66	3	119802-51690	O-RING	1							
67	3	24356-010200	O-RING, 4D1020	1							
68	3	24372-000150	RING, BACK UP T2P15	1							
70	2	119852-51630	SPRING, TIMER	1							
71	2	119852-51640	CAP, TIMER	1							
73	2	119852-51650	VALVE ASSY, SOLENOID	1							
76	2	158553-51680	GASKET, TIMER	1							
97	2	158601-51770	PISTON, ACCUMULATOR	1							
98	2	158552-51781	SPRING, ACCUMULATOR	1							
99	2	158601-51790	PLUG	1							
101	2	22190-120002	WASHER, SEAL 12	1							
102	2	22190-180002	WASHER, SEAL 18	1							
103	2	23887-120002	PLUG, 12	1							
106	2	158552-52310	O-RING	1							
107	2	158552-52400	O-RING, 4E S42	1							
108	2	22190-120002	WASHER, SEAL 12	2							
109	2	22217-180000	WASHER, SPRING 18	1							
110	2	22312-050140	PIN, PARALLEL M5X14	2							
111	2	22351-050010	PIN, SPRING 5.0X10	2							
112	2	24311-000070	O-RING, 1AP7.0	1							
113	2	24356-010200	O-RING, 4D1020	1							
114	2	24356-020210	O-RING, 4D2021	1							
115	2	26106-060102	BOLT, M6X 10 PLATED	1							
116	2	26106-060352	BOLT, M6X 35 PLATED	4							
117	2	26450-100452	BOLT, M10X 45	4							
118	2	26776-180002	NUT, LOCK M18	1							
121	2	129927-51650	HARNES ASSY, WIRE	1							
122	3	129927-51660	HARNES	1							
123	3	129263-77941	CAP, RUBBER	1							
124	2	158601-51650	JOINT, OVER FLOW	1							
125	2	129927-51670	BRACKET	1							
126	2	158552-51670	JOINT, OVER FLOW	1							
128	2	158552-52100	PUMP ASSY, FUEL FEED	1							
129	3	158552-52500	O-RING	1							

Remarks  
(1) GOVERNOR ASSY(FIG.32) IS INCORPORATED IN THIS FUEL INJECTION PUMP.(REF.NO.1).

Fig.31. FUEL INJECTION PUMP



(A)=4TNV98-ZNHQ  
(B)=4TNV98T-ZNHQ  
(C)=

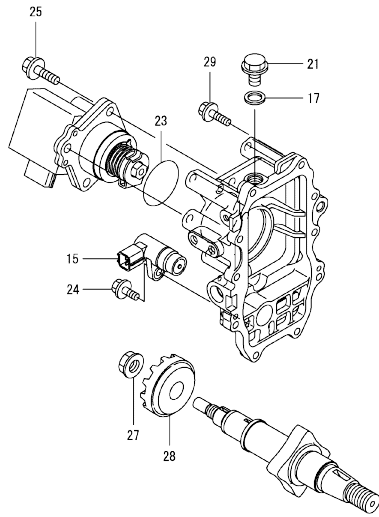
(D)=  
(E)=  
(F)=

No.	Lev.	Parts No.	Description	Q'ty						
				(A)	(B)	(C)	(D)	(E)	(F)	
130	2	119934-59910	JOINT, PIPE		1					
131	2	22190-120002	WASHER, SEAL 12		1					
132	2	22217-050000	WASHER, SPRING 5		1					
133	2	26106-060122	BOLT, M6X 12 PLATED		1					
134	2	26716-050002	NUT, M5		1					
135	2	27241-160000	PLUG, 16		1					
137	1	129927-51250	RETAINER, PUMP		1					
138	1	26106-080202	BOLT, M8X 20 PLATED		3					
139	1	26106-080302	BOLT, M8X 30 PLATED		3					

Remarks  
(1) GOVERNOR ASSY(FIG.32) IS  
INCORPORATED IN THIS FUEL  
INJECTION PUMP.(REF.NO.1).



Fig.32. GOVERNOR



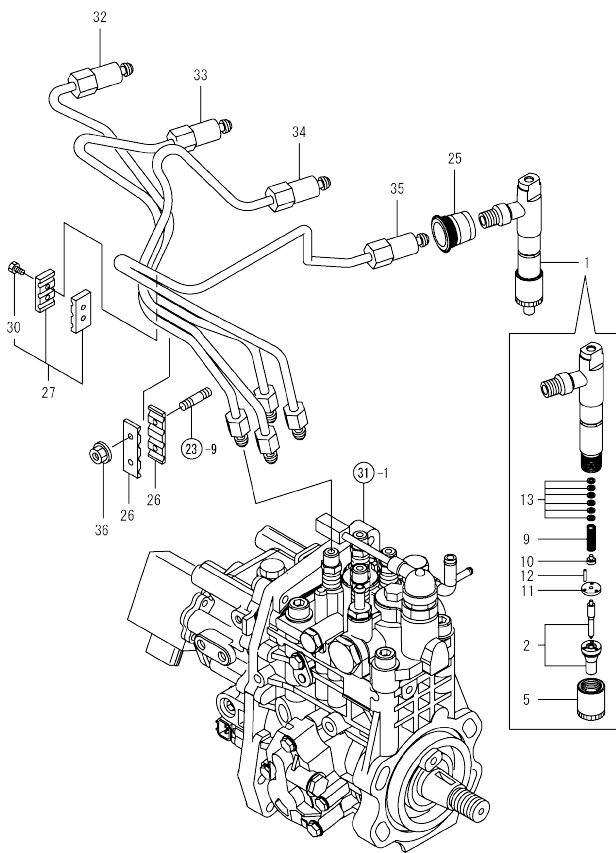
(A)=4TNV98-ZNHQ  
(B)=4TNV98T-ZNHQ  
(C)=

(D)=  
(E)=  
(F)=

No.	Lev.	Parts No.	Description	Q'ty						
				(A)	(B)	(C)	(D)	(E)	(F)	
15	2	158557-61720	SENSOR							1
17	2	22190-120000	WASHER, SEAL 12							1
21	2	23887-120002	PLUG, 12							1
23	2	24341-000480	O-RING, 1AS48.0							1
24	2	26106-060162	BOLT, M6X 16 PLATED							1
25	2	26106-080252	BOLT, M8X 25 PLATED							3
27	2	129008-61301	NUT							1
28	2	158553-61780	GEAR, SENSOR							1
29	2	26106-060252	BOLT, M6X 25 PLATED							10

Remarks  
\* THIS FIGURE(GOVERNOR ASSY)IS  
INCORPORATED IN THE FUEL INJECTION  
PUMP ASSY(FIG.31).

Fig.33. FUEL INJECTION VALVE

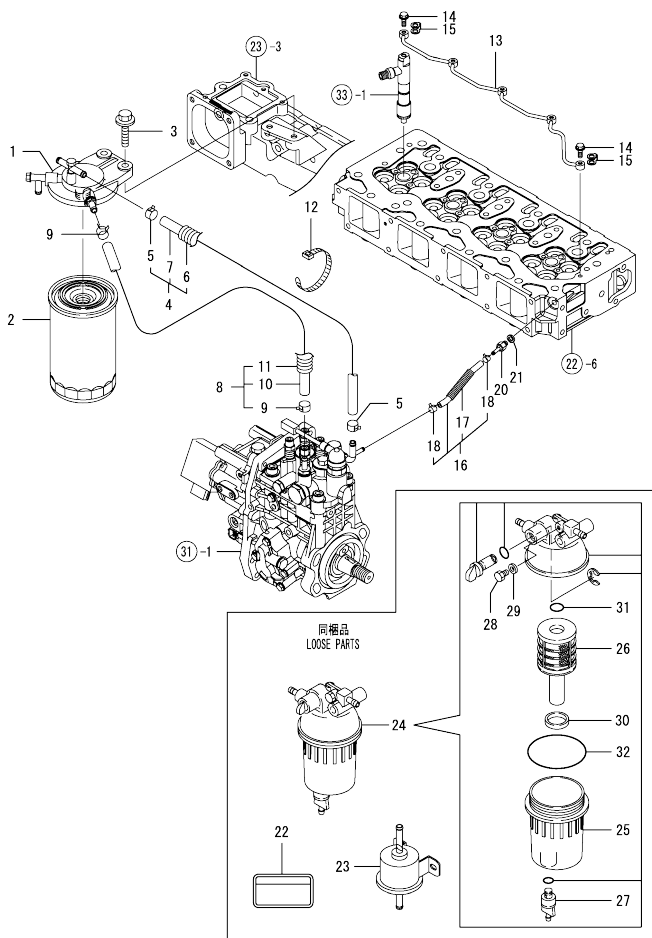


(A)=4TNV98-ZNHQ  
(B)=4TNV98T-ZNHQ  
(C)=

(D)=  
(E)=  
(F)=

No.	Lev.	Parts No.	Description	Q'ty						
				(A)	(B)	(C)	(D)	(E)	(F)	
1	1	729928-53100	FUEL INJECTOR ASSY		4					
2	2	129928-53000	NOZZLE ASSY, F.I.		4					
5	2	114250-53080	NUT, NOZZLE		4					
9	2	114250-53120	SPRING, NOZZLE		4					
10	2	114250-53130	SEAT, SPRING		4					
11	2	114250-53140	SPACER		4					
12	2	114250-53210	PIN		8					
13	2	114250-53400	SHIM SET		4					
25	1	123907-11601	SEAL, PIPE		4					
26	1	123472-59120	RETAINER, PIPE		2					
27	1	129150-59120	RETAINER, PIPE		1					
30	2	129150-59131	BOLT, M4X14		2					
32	1	129927-59810	PIPE ASSY, INJECTION		1					
33	1	129927-59820	PIPE ASSY, INJECTION		1					
34	1	129927-59830	PIPE ASSY, INJECTION		1					
35	1	129927-59840	PIPE ASSY, INJECTION		1					
36	1	26366-060002	NUT, M6		2					

Fig.34. FUEL LINE

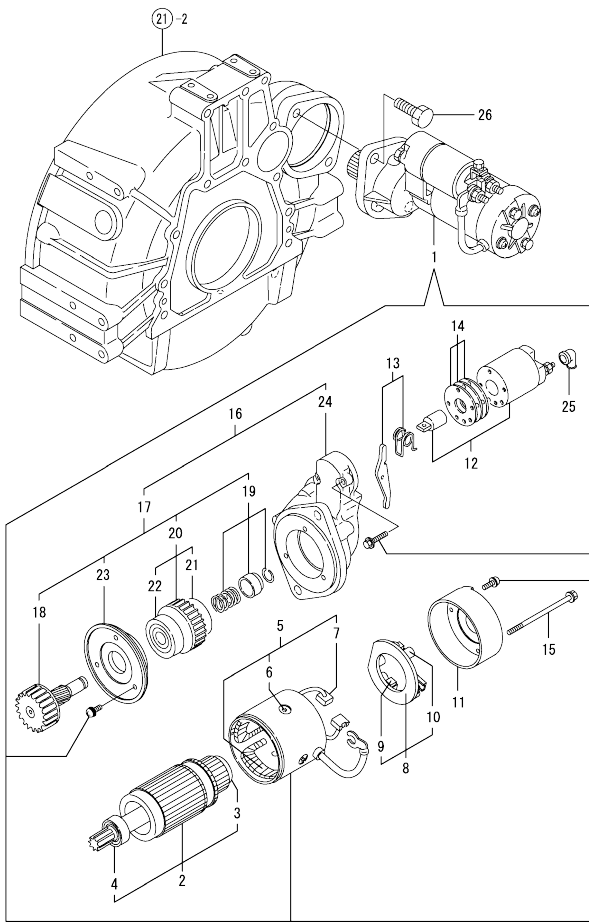


(A)=4TNV98-ZNHQ  
(B)=4TNV98T-ZNHQ  
(C)=

(D)=  
(E)=  
(F)=

No.	Lev.	Parts No.	Description	Qty						I	R	
				(A)	(B)	(C)	(D)	(E)	(F)			
1	1	129004-55612	BRACKET, FILTER		1							
2	1	123907-55801	FILTER, FUEL		1							
3	1	26106-080302	BOLT, M8X 30 PLATED		2							
4	1	129457-59010	HOSE ASSY, FUEL		1							
5	2	124766-59050	CLAMP, HOSE 11.5		2							
6	2	129957-59120	TUBE, CORRUGATED 15		1							
7	2	105025-59750	HOSE, FUEL		1							
8	1	129961-59310	HOSE ASSY, FUEL		1							
9	2	124766-59050	CLAMP, HOSE 11.5		2							
10	2	129136-59110	HOSE, D13/7.5X270		1							
11	2	129961-59110	TUBE, CORRUGATED 15		1							
12	1	121750-59890	BAND, NYLON		1							
13	1	129907-59140	PIPE ASSY, RETURN		1							
14	1	123907-59540	BOLT, PIPE JOINT M6		5							
15	1	123907-59550	GASKET		5							
16	1	129927-59550	HOSE ASSY, RETURN		1							
17	2	129263-49750	TUBE, CORRUGATED		1							
18	2	124722-59050	CLAMP, HOSE 9		2							
20	1	123907-59560	JOINT, HOSE		1							
21	1	22190-080002	WASHER, SEAL 6		1							
22	1	114110-07760	LABEL, FUEL CAUTION		1							
23	1	119225-52102	PUMP, FUEL FEED		1							
24	1	129242-55700	SEPARATOR ASSY, WATER		1							
25	2	129242-55720	CUP, SEPARATOR		1							
26	2	129242-55730	ELEMENT, FUEL		1							
27	2	129242-55740	PLUG, DRAIN		1							
28	2	129242-55750	VALVE, AIR VENT		1							
29	2	129242-55760	GASKET, PLUG		1							
30	2	129242-55770	FLOAT		1							
31	2	24311-000160	O-RING, 1AP16.0		1							
32	2	24321-000750	O-RING, 1AG75.0		1							

Fig.35. STARTING MOTOR

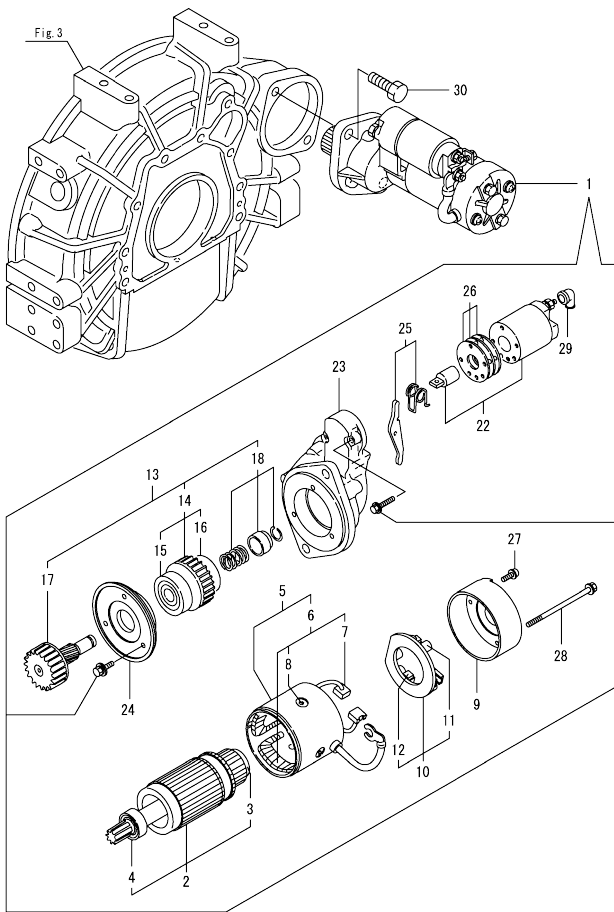


(A)=4TNV98-ZNHQ  
(B)=4TNV98T-ZNHQ  
(C)=

(D)=  
(E)=  
(F)=

No.	Lev.	Parts No.	Description	Q'ty						
				(A)	(B)	(C)	(D)	(E)	(F)	
1	1	129900-77010	STARTER ASSY		1					
2	2	129900-77400	ARMATURE ASSY		1					
3	3	X2114155110	BEARING, BALL		1					
4	3	X2114255110	BEARING, BALL		1					
5	2	129900-77440	COIL ASSY, FIELD		1					
6	3	171008-77450	SCREW, CORE SET		4					
7	3	129900-77450	BRUSH		2					
8	2	129900-77480	HOLDER ASSY, BRUSH		1					
9	3	129900-77450	BRUSH		2					
10	3	X2130631300	SPRING, BRUSH		4					
11	2	129900-77460	COVER		1					
12	2	129900-77591	SWITCH ASSY, MAGNET		1					
13	2	129900-77620	LEVER SET		1					
14	2	129900-77650	COVER KIT, DUST		1					
15	2	129900-77640	BOLT, THROUGH		2					
16	2	129900-77700	CASE ASSY, GEAR		1					
17	3	129900-77510	PINION ASSY,W/CLUTCH		1					
18	4	129900-77540	SHAFT, PINION		1					
19	4	129900-77550	STOPPER SET, PINION		1					
20	4	129900-77520	CLUTCH ASSY		1					
21	5	171008-77730	BEARING, BALL		1					
22	5	171008-77740	BEARING, BALL		1					
23	4	129900-77610	RETAINER, BEARING		1					
24	3	129900-77710	CASE, GEAR		1					
25	2	171008-77750	COVER, TERMINAL		1					
26	1	26116-120302	BOLT, M12X 30 PLATED		2					

Fig.40. (35A)STARTING MOTOR

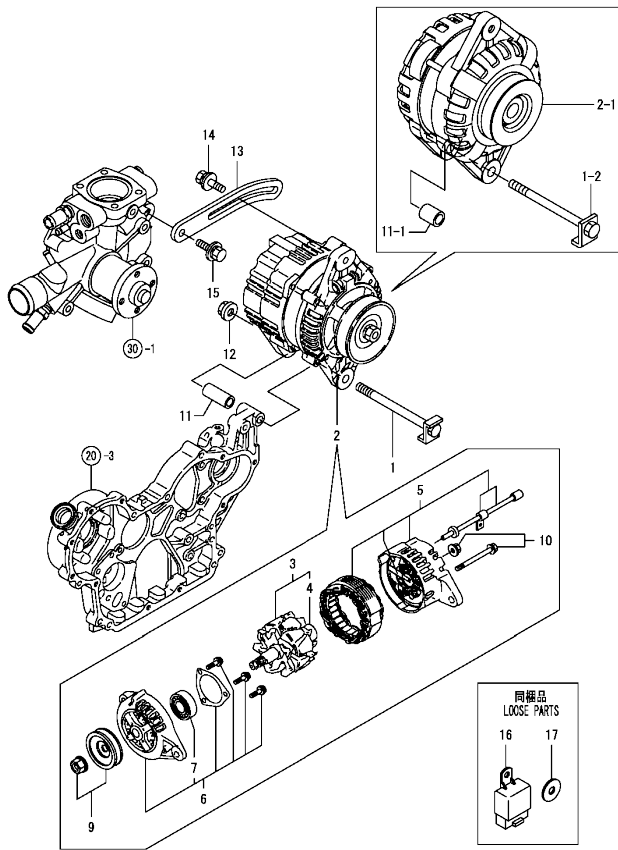


(A)=4TNV98-ZNHQ  
(B)=4TNV98T-ZNHQ  
(C)=

(D)=  
(E)=  
(F)=

No.	Lev.	Parts No.	Description	Q'ty						I	R
				(A)	(B)	(C)	(D)	(E)	(F)		
1	1	129900-77040	STARTER ASSY		1						
2	2	129900-77120	ARMATURE ASSY		1						
3	3	171008-77410	BEARING, BALL		1						
4	3	171008-77420	BEARING, BALL		1						
5	2	129900-77130	YOKE ASSY		1						
6	3	129900-77140	COIL ASSY, FIELD		1						
7	4	129900-77450	BRUSH		2						
8	4	171008-77450	SCREW, CORE SET		4						
9	2	129900-77150	COVER		1						
10	2	129900-77160	HOLDER ASSY, BRUSH		1						
11	3	X2130631300	SPRING, BRUSH		4						
12	3	129900-77450	BRUSH		2						
13	2	129900-77170	CLUTCH ASSY		1						
14	3	129900-77180	CLUTCH ASSY		1						
15	4	129900-77190	BEARING, BALL		1						
16	4	X2114955020	BEARING, BALL		1						
17	3	129900-77270	SHAFT, PINION		1						
18	3	171008-77670	STOPPER SET, PINION		1						
22	2	129900-77280	SWITCH ASSY, MAGNET		1						
23	2	129900-77290	CASE, GEAR		1						
24	2	129900-77380	RETAINER, BEARING		1						
25	2	129900-77390	LEVER ASSY, SHIFT		1						
26	2	129900-77420	COVER KIT, DUST		1						
27	2	129900-77430	SCREW, M4X10		2						
28	2	129685-77640	BOLT, THROUGH		2						
29	2	171008-77750	COVER, TERMINAL		1						
30	1	26116-120302	BOLT, M12X 30 PLATED		2						

0CW10-M47900 4TNV98T-ZNHQ  
 Fig.36. GENERATOR



0CW10-M47900 Fig.36

(A)=4TNV98-ZNHQ  
 (B)=4TNV98T-ZNHQ  
 (C)=

(D)=  
 (E)=  
 (F)=

No.	Lev.	Parts No.	Description	Q'ty						I	R	
				(A)	(B)	(C)	(D)	(E)	(F)			
1	1	129002-77280	BOLT ASSY		1							
1-1	1	129002-77281 (B=2009.04.)	BOLT, M10		1						N	
1-2	1	129908-77220 (B=ER6594)	BOLT, STOPPER M10		1						F	1
2	1	129612-77290	ALTERNATOR, 12V-80A		1							
2-1	1	129908-77200 (B=ER6594)	ALTERNATOR 12V		1						F	1
3	2	123910-77740	ROTOR ASSY		1							
4	3	129900-77810	BEARING, BALL		1							
5	2	129612-77820	BRACKET ASSY		1							
6	2	129900-77890	BRACKET ASSY		1							
7	3	129900-77900	BEARING, BALL		1							
9	2	129900-77910	PULLEY		1							
10	2	129900-77920	SCREW KIT		1							
11	1	129002-77340	PIECE, DISTANCE		1							
11-1	1	129908-77360 (B=ER6594)	PIECE, DISTANCE		1						F	1
12	1	26306-100002	NUT, M10		1							
13	1	129916-77300	ADJUSTER, BELT		1							
14	1	119810-77340	BOLT, ADJUST L=30		1							
15	1	26014-080252	BOLT, M8X 25		1							
16	1	198461-52950	RELAY, CA TYPE C		3							
17	1	129927-77690	WASHER, ECU		3							

Remarks

(1)Interchangeable by simultaneous replacement with No.1-2, 2-1 & 11-1.

N:Old  $\frac{100}{100}$  New, Q:Old  $\frac{100}{100}$  New, R:Old  $\frac{100}{100}$  New, S:Old  $\frac{100}{100}$  New, W:Add, Z:Discontinued, F:Interchangeable by set, K:Qty Change  
 Copyright (C) YANMAR GLOBAL CS CO., LTD. All Rights Reserved.

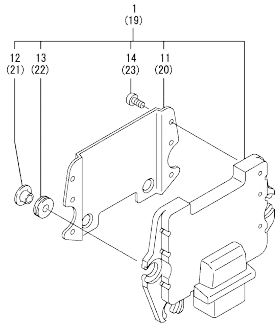
0CW10-M47900 4TNV98T-ZNHQ

Fig.37. ELECTRONIC CONTROL UNIT (ECU)

0CW10-M47900 Fig.37

(A)=4TNV98-ZNHQ  
(B)=4TNV98T-ZNHQ  
(C)=

(D)=  
(E)=  
(F)=

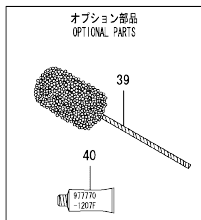
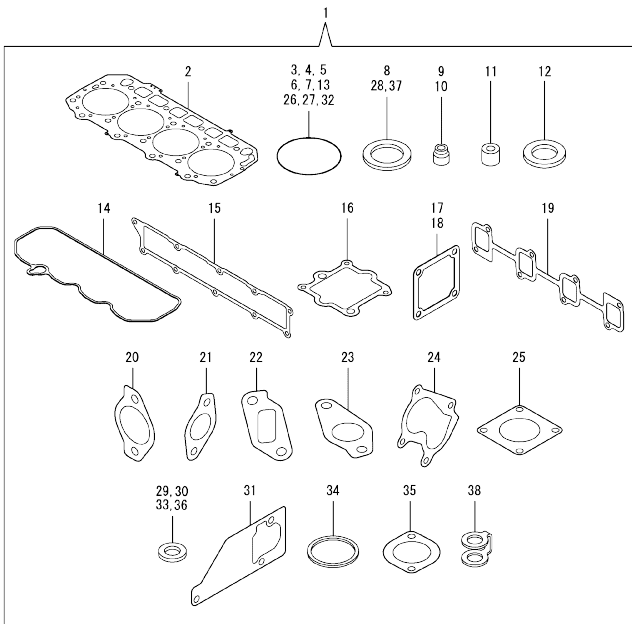


No.	Lev.	Parts No.	Description	Q'ty						
				(A)	(B)	(C)	(D)	(E)	(F)	
1	1	129948-75090	CONTROLLER ASSY, EUC		1					1
11	2	129927-77600	SHIELD, ECU		1					
12	2	129927-77680	COLLAR, CONTROL		3					
13	2	119578-91351	ABSORBER		3					
14	2	22877-500080	SCREW, 5X 8		6					
19	1	129927-75900	ECU ASSY, SERVICE		1					2
20	2	129927-77600	SHIELD, ECU		1					
21	2	129927-77680	COLLAR, CONTROL		3					
22	2	119578-91351	ABSORBER		3					
23	2	22877-500080	SCREW, 5X 8		6					

Remarks

(1)ECO ECU  
THIS PART CANNOT BE ORDERED.  
REPLACE THE PART USING A SERVICE  
ECU WITH THE PROPER ENGINE  
INFORMATION INSTALLED.  
(2)SERVICE ECU  
IF THE PROPER INFORMATION IS NOT  
INSTALLED, THE ENGINE WILL NOT  
OPERATE.  
TO INSTALL PROPER INFORMATION,  
GO TO AN AUTHORIZED DISTRIBUTOR.

Fig.38. GASKET SET



(A)=4TNV98-ZNHQ  
(B)=4TNV98T-ZNHQ  
(C)=

(D)=  
(E)=  
(F)=

No.	Lev.	Parts No.	Description	Qty						I	R	
				(A)	(B)	(C)	(D)	(E)	(F)			
1	1	729928-92710	GASKET SET								1	
2	2	129907-01331	GASKET, HEAD									
3	2	129900-32030	O-RING, P20									
4	2	129900-32040	O-RING, P14									
5	2	24351-030750	O-RING, 1A3075									
6	2	24311-000320	O-RING, 1AP32.0									
7	2	24321-000850	O-RING, 1AG85.0									
8	2	22190-220002	WASHER, SEAL 22									
9	2	119803-11340	SEAL, VALVE STEM									
10	2	124160-11340	SEAL, VALVE STEM									
11	2	119802-11870	PROTECTOR, NOZZLE									
12	2	119625-11880	SEAT, NOZZLE									
13	2	24311-000120	O-RING, 1AP12.0									
14	2	129933-11310	GASKET, BONNET									
15	2	129907-12110	GASKET, MANIFOLD									
16	2	129928-13720	GASKET									
17	2	119129-77020	GASKET									
18	2	121850-77021	GASKET, AIR HEATER									
19	2	129900-13251	GASKET, EXH.MANIFOLD									
20	2	129928-13410	GASKET									
21	2	129927-13810	GASKET									
22	2	129927-13910	GASKET, EGR									
23	2	129927-13920	GASKET, EGR									
24	2	123901-18080	GASKET									
25	2	129472-18090	GASKET									
26	2	24341-000530	O-RING, 1AS53.0									
27	2	24321-000600	O-RING, 1AG60.0									
28	2	22190-080002	WASHER, SEAL 6									
29	2	23414-100000	GASKET, 10X1.0									
30	2	129908-39690	GASKET									
31	2	129900-42061	GASKET, WATER PUMP									
32	2	129900-42140	O-RING, P36									
33	2	23414-080000	GASKET, 8X1.0									
34	2	121850-49550	GASKET, THERMOSTAT									
35	2	129900-49560	GASKET									
36	2	124465-44950	GASKET, 16									
37	2	22190-120002	WASHER, SEAL 12									
38	2	123907-59550	GASKET									
39	1	129400-92450	HONE, FLEX									1
40	1	977770-1207F	GASKET, LIQUID									1

Remarks  
(1) OPTIONAL PART.



## Parts No. Index

Parts No.	Fig. No.	Ref. No.
105010-39140	9	34
	29	21
105025-59750	14	7
	34	7
114110-07760	14	22
	34	22
114250-53080	13	5
	33	5
114250-53120	13	9
	33	9
114250-53130	13	10
	33	10
114250-53140	13	11
	33	11
114250-53210	13	12
	33	12
114250-53400	13	13
	33	13
119000-39650	29	38
119005-77051	5	9
	23	19
119100-11330	22	61
119129-77020	5	7
	18	16
	23	17
	38	17
119129-77520	5	10
	23	20
119131-18320	6	3
	26	3
119225-52102	14	23
	34	23
119578-91351	17	13
	22	13
	37	13
	22	22
119593-11301	4	30
	22	34
119620-01750	3	3
	21	3
119620-11180	4	14
	22	18
119625-11880	4	26
	18	12
	22	30
	38	12
119640-01640	3	8
	21	8
119640-61400	4	61
119761-39450	9	23

Parts No.	Fig. No.	Ref. No.
119761-39450	29	1
119802-11870	4	25
	18	11
	22	29
	38	11
119802-13680	6	7
119802-13790	24	10
119802-51680	11	65
	31	65
119802-51690	11	66
	31	66
119802-55801	14	2
119803-11340	4	15
	18	9
	22	19
	38	9
119810-77340	16	14
	36	14
119852-51630	11	70
	31	70
119852-51640	11	71
	31	71
119852-51650	11	73
	31	73
119934-59910	11	130
	31	130
120130-22301	8	22
	27	22
120445-44540	10	43
	30	55
121252-39150	29	2
121450-42450	10	29
	30	30
121520-34810	9	14
	28	14
121750-59890	9	10
	14	12
	28	10
	34	12
121850-21130	8	11
	27	11
121850-21290	8	4
	27	4
121850-21920	8	5
	27	5
121850-49550	10	24
	18	29
	30	25
	38	34
121850-49810	10	27

Parts No.	Fig. No.	Ref. No.
121850-49810	30	28
121850-77021	5	8
	18	17
	23	18
	38	18
123472-59120	13	26
	33	26
123900-13630	24	6
123900-25060	7	9
	25	9
123901-03240	22	76
123901-18080	24	24
	38	24
123901-39820	29	28
123907-03100	4	55
123907-03110	4	56
123907-03120	4	57
123907-03140	4	58
123907-11280	4	35
	22	39
123907-11550	4	3
	22	5
123907-11601	13	25
	33	25
123907-11820	4	21
	22	25
123907-11830	4	20
	22	24
123907-39500	9	26
	29	13
123907-55801	34	2
123907-59540	14	14
	34	14
123907-59550	14	15
	18	33
	34	15
	38	38
123907-59560	14	20
123910-39850	34	20
123910-49600	9	7
	28	7
123910-49610	9	9
	28	9
123910-77740	16	3
	36	3
123912-33050	9	2
	28	2
123912-33100	9	3
	28	3

Parts No.	Fig. No.	Ref. No.
123951-03300	22	78
123951-18220	23	14
124070-13300	29	23
124160-01751	2	25
	4	50
	20	13
	22	54
124160-11340	4	16
	18	10
	22	20
	38	10
124160-11360	4	66
	22	65
124223-39900	29	4
124465-44950	10	31
	18	31
	30	32
	38	36
124722-59050	14	18
	34	18
124766-59050	14	5
		9
	34	5
		9
129002-77280	16	1
	36	1
129002-77281	16	1 -1
	36	1 -1
129002-77340	16	11
	36	11
129004-55612	14	1
	34	1
129005-59830	9	28
	29	5
		15
129006-44480	9	5
	28	5
129008-61301	12	27
	32	27
129100-01580	2	1
	3	1
	20	1
	21	1
129136-59110	14	10
	34	10
129150-02450	7	4
	25	4
129150-03100	22	72
129150-11230	4	38
		42

## Parts No. Index

Parts No.	Fig. No.	Ref. No.
129150-11230	22	42
		46
129150-11750	4	19
		39
		43
	22	23
		43
		47
129150-14200	7	1
	25	1
129150-25920	7	13
	25	13
129150-35153	9	15
	28	15
129150-59120	13	27
	33	27
129150-59131	13	30
	33	30
129242-55700	14	24
	34	24
129242-55720	14	25
	34	25
129242-55730	14	26
	34	26
129242-55740	14	27
	34	27
129242-55750	14	28
	34	28
129242-55760	14	29
	34	29
129242-55770	14	30
	34	30
129263-13210	6	5
129263-49750	14	17
	34	17
129263-77941	11	123
	31	123
129400-92450	18	34
	38	39
129410-03990	22	70
129418-18320	6	4
	24	3
		4
129457-59010	14	4
	34	4
129472-18090	26	2
	38	25
129509-79700	22	62
129612-77290	16	2
	36	2

Parts No.	Fig. No.	Ref. No.
129612-77820	16	5
	36	5
129657-51590	11	60
	31	60
129657-51600	11	61
	31	61
129685-77640	39	28
	40	28
129900-01200	1	27
	19	27
129900-01250	1	4
	19	4
129900-01740	2	27
	20	15
129900-01850	2	37
	20	25
129900-01870	2	38
	20	26
129900-02020	1	6
	19	6
129900-02341	1	32
	19	33
129900-02410	1	9
	19	9
129900-02931	1	24
	19	24
129900-02941	1	35
	19	36
129900-13251	6	6
	18	18
	24	5
	38	19
129900-14110	7	6
	25	6
129900-14140	2	16
	20	30
129900-21220	8	3
	27	3
129900-21600	8	14
	27	14
129900-23001	8	24
	27	24
129900-23200	8	27
	27	27
129900-23601	8	28
	27	28
129900-23611	8	31
	27	31
129900-23911	8	30
	27	30

Parts No.	Fig. No.	Ref. No.
129900-25110	7	10
	25	10
129900-26030	7	20
	25	20
129900-26250	2	17
	20	31
129900-32001	2	4
129900-32030	2	18
	9	16
	18	3
	20	6
	28	16
	38	3
129900-32040	2	19
	18	4
	20	7
	38	4
129900-34800	9	13
	28	13
129900-35000	9	17
	28	17
129900-42061	10	15
	18	26
	30	16
	38	31
129900-42070	10	16
	30	17
129900-42140	10	17
	18	27
	30	18
	38	32
129900-42161	10	3
	30	3
129900-42170	10	4
	30	4
129900-42450	10	21
	30	22
129900-49551	10	25
	30	26
129900-49560	10	26
	18	30
	30	27
	38	35
129900-77010	15	1
	35	1
129900-77040	39	1
	40	1
129900-77120	39	2
	40	2
129900-77130	39	5

Parts No.	Fig. No.	Ref. No.
129900-77130	40	5
129900-77140	39	6
	40	6
129900-77150	39	9
	40	9
129900-77160	39	10
	40	10
129900-77170	39	13
	40	13
129900-77180	39	14
	40	14
129900-77190	39	15
	40	15
129900-77270	39	17
	40	17
129900-77280	39	22
	40	22
129900-77290	39	23
	40	23
129900-77380	39	24
	40	24
129900-77390	39	25
	40	25
129900-77400	15	2
	35	2
129900-77420	39	26
	40	26
129900-77430	39	27
	40	27
129900-77440	15	5
	35	5
129900-77450	15	7
		9
	35	7
		9
	39	7
		12
	40	7
		12
129900-77460	15	11
	35	11
129900-77480	15	8
	35	8
129900-77510	15	17
	35	17
129900-77520	15	20
	35	20
129900-77540	15	18
	35	18
129900-77550	15	19

## Parts No. Index

Parts No.	Fig. No.	Ref. No.
129900-77550	35	19
129900-77591	15	12
	35	12
129900-77610	15	23
	35	23
129900-77620	15	13
	35	13
129900-77640	15	15
	35	15
129900-77650	15	14
	35	14
129900-77700	15	16
	35	16
129900-77710	15	24
	35	24
129900-77810	16	4
	36	4
129900-77890	16	6
	36	6
129900-77900	16	7
	36	7
129900-77910	16	9
	36	9
129900-77920	16	10
	36	10
129902-01710	3	7
129902-21050	8	1
129906-51580	11	58
	31	58
129907-01331	1	28
	18	2
	19	28
	38	2
129907-03011	4	52
	22	56
129907-03061	4	53
	22	57
129907-03070	4	54
	22	58
129907-07900	4	1
	22	1
129907-11100	4	11
	22	15
129907-11110	4	12
	22	16
129907-11120	4	13
	22	17
129907-11250	4	32
	22	36
129907-11260	4	33

Parts No.	Fig. No.	Ref. No.
129907-11260	22	37
129907-11270	4	34
	22	38
129907-11341	4	31
	22	35
129907-11510	4	17
	22	21
129907-11650	4	36
	22	40
129907-11660	4	40
	22	44
129907-11800	4	24
	22	28
129907-11910	4	27
	22	31
129907-11920	4	44
	22	48
129907-11950	4	28
	22	32
129907-12110	5	1
	18	15
	23	1
	38	15
129907-14400	7	2
	25	2
129907-21650	8	9
	27	9
129907-25900	7	16
	25	16
129907-51560	11	55
	31	55
129907-59140	14	13
	34	13
129908-14590	7	3
	25	3
129908-21100	27	1
129908-32060	20	4
129908-33010	9	1
	28	1
129908-33101	9	4
	28	4
129908-39410	29	32
129908-39690	29	27
	38	30
129908-49060	9	6
	28	6
129908-77200	16	2 -1
	36	2 -1
129908-77220	16	1 -2
	36	1 -2

Parts No.	Fig. No.	Ref. No.
129908-77360	16	11 -1
	36	11 -1
129916-01790	3	6
	21	6
129916-01800	2	36
	20	24
129916-21610	8	7
	27	7
129916-49740	10	11
	30	12
129916-77300	16	13
	36	13
129921-21580	8	12
129921-42010	10	1
129921-75070	17	1
129927-11320	4	51
129927-11700	4	4
129927-12100	5	3
129927-12150	5	2
129927-13100	6	2
129927-13150	6	1
129927-13800	6	9
129927-13810	6	10
	18	19
	24	12
	38	21
129927-13900	6	13
	24	19
129927-13910	6	14
	18	20
	24	20
	38	22
129927-13920	6	15
	18	21
	24	21
	38	23
129927-22050	8	18
	27	18
129927-22080	8	16
129927-39060	9	24
	29	11
129927-44900	10	30
	30	31
129927-51250	11	137
	31	137
129927-51390	11	22
129927-51650	11	121
	31	121
129927-51660	11	122
	31	122

Parts No.	Fig. No.	Ref. No.
129927-51670	11	125
	31	125
129927-53000	13	2
129927-59550	14	16
	34	16
129927-59810	13	32
	33	32
129927-59820	13	33
	33	33
129927-59830	13	34
	33	34
129927-59840	13	35
	33	35
129927-75900	17	19
	37	19
129927-77600	17	11
		20
	37	11
		20
129927-77680	17	12
		21
	37	12
		21
129927-77690	16	17
	36	17
129928-01710	21	7
129928-11700	22	6
129928-12100	23	3
129928-12150	23	2
129928-13100	24	2
129928-13150	24	1
129928-13400	24	7
129928-13410	24	8
		9
	38	20
129928-13700	23	4
129928-13710	23	5
129928-13720	23	6
	38	16
129928-18200	23	12
129928-22080	27	16
129928-39450	29	3
129928-49420	30	10
		42
129928-51390	31	22
129928-53000	33	2
129928-79700	30	51
129930-01870	2	31
	20	19
129930-13201	6	18

## Parts No. Index

Parts No.	Fig. No.	Ref. No.
129930-13201	18	22
129930-39050	9	33
	29	20
129933-11310	4	60
	18	14
	22	60
	38	14
129935-18010	26	1
129935-39610	29	24
129938-49650	10	33
	30	34
129938-49660	10	37
	30	38
129948-03080	22	68
129948-07900	22	2
129948-11300	22	55
129948-13800	24	11
129948-13810	24	13
129948-21580	27	12
129948-49610	30	43
129948-49620	30	47
129948-75090	37	1
129949-42010	30	1
129953-25300	7	15
	25	15
129955-01600	21	2
129957-59120	14	6
	34	6
129960-03990	30	44
		48
129960-21640	8	8
	27	8
129961-59110	14	11
	34	11
129961-59310	14	8
	34	8
129963-01500	2	3
129963-49300	10	9
	30	9
129972-01500	20	3
129972-03220	22	74
129972-03230	22	75
129972-03240	22	73
129974-18210	23	13
129981-01600	3	2
144626-51090	11	10
	31	10
158552-51571	11	56
	31	56
158552-51580	11	59

Parts No.	Fig. No.	Ref. No.
158552-51580	31	59
158552-51670	11	126
	31	126
158552-51781	11	98
	31	98
158552-52100	11	128
	31	128
158552-52310	11	106
	31	106
158552-52400	11	107
	31	107
158552-52500	11	129
	31	129
158553-51670	11	64
	31	64
158553-51680	11	76
	31	76
158553-61780	12	28
	32	28
158557-51570	11	57
	31	57
158557-61720	12	15
	32	15
158563-51150	7	17
	25	17
158563-51281	11	20
		21
	31	20
		21
158563-51330	11	32
	31	32
158600-51270	11	19
	31	19
158601-51550	11	54
	31	54
158601-51650	11	124
	31	124
158601-51770	11	97
	31	97
158601-51790	11	99
	31	99
171008-77410	39	3
	40	3
171008-77420	39	4
	40	4
171008-77450	15	6
	35	6
	39	8
	40	8
171008-77670	39	18

Parts No.	Fig. No.	Ref. No.
171008-77670	40	18
171008-77730	15	21
	35	21
171008-77740	15	22
	35	22
171008-77750	15	25
	35	25
	39	29
	40	29
171051-01921	1	5
	19	5
171056-49120	9	36
	28	23
175339-79700	4	62
198461-52950	16	16
	36	16
22190-080002	9	29
		31
		35
	14	21
	18	25
	29	6
		8
		16
		18
		22
	34	21
	38	28
22190-120000	12	17
	32	17
22190-120002	10	32
	11	101
		108
		131
	18	32
	30	33
	31	101
		108
		131
	38	37
22190-180002	11	102
	31	102
22190-220002	3	10
	18	8
	21	10
	38	8
22217-050000	11	132
	31	132
22217-180000	7	18
	11	109

Parts No.	Fig. No.	Ref. No.
22217-180000	25	18
	31	109
22252-000300	8	23
	27	23
22312-050140	11	110
	31	110
22351-030010	29	39
22351-050010	11	111
	31	111
22351-060012	1	11
	19	10
22512-070140	7	7
	8	6
	25	7
	27	6
22857-500100	4	63
		64
	22	64
22877-500080	17	14
		23
	37	14
		23
23000-022000	22	79
23000-025000	9	11
	28	11
	29	29
23000-054000	23	15
23000-080000	23	16
23065-160250	22	80
23080-012000	10	36
		40
	30	37
		41
23414-080000	10	18
	18	28
	30	19
	38	33
23414-100000	29	9
	38	29
23857-030000	9	30
	29	7
		17
23876-020000	4	8
	22	12
23876-030000	1	12
		13
		14
	4	9
	19	11
		12

## Parts No. Index

Parts No.	Fig. No.	Ref. No.
23876-030000	19	13
		29
	22	13
23887-120002	11	103
	12	21
	31	103
	32	21
24104-060054	8	15
	27	15
24311-000070	11	112
	31	112
24311-000120	4	29
		67
	18	13
	22	33
		66
		13
24311-000160	14	31
	34	31
24311-000320	2	26
	4	68
	18	6
	20	14
	22	67
24321-000600	38	6
	9	12
	18	24
	28	12
	38	27
	14	32
24321-000750	34	32
	2	32
	18	7
24321-000850	20	20
	38	7
	12	23
	32	23
24341-000480	8	10
	18	23
	27	10
	38	26
	2	20
24341-000530	18	5
	20	8
	38	5
	11	67
24356-010200		113
	31	67
		113
24356-020210	11	114

Parts No.	Fig. No.	Ref. No.
24356-020210	31	114
24372-000150	11	68
	31	68
25132-004800	10	22
	30	23
	16	15
26014-080252	16	15
26106-060102	36	15
	11	115
26106-060122	31	115
	4	65
	11	133
	22	63
26106-060162	31	133
	12	24
	29	30
	32	24
	23	7
26106-060202		8
	12	29
26106-060252	32	29
	11	116
26106-060352	31	116
	3	11
26106-080122	9	22
		32
	10	19
26106-080142		23
	21	11
	28	22
	29	10
		19
26106-080162	30	31
		20
		24
		52
26106-080162	22	81
	2	21
26106-080162		28
		39
	4	2
26106-080202	7	8
	20	9
		16
	22	3
26106-080202	25	8
	2	22
	11	138
	20	10
	22	4

Parts No.	Fig. No.	Ref. No.
26106-080202	31	138
26106-080252	10	28
	12	25
	30	29
	32	25
26106-080302	11	139
	14	3
	31	139
	34	3
	24	14
26106-080352	2	29
	2	40
26106-080402	4	46
	5	11
	20	17
		28
	22	50
26106-080452	23	21
	2	23
	5	5
	20	11
	23	10
26106-080552	24	15
	7	14
	10	20
	24	16
	25	14
26106-080602	30	21
	4	47
		48
	22	51
26106-080702		52
	2	30
		41
26106-080802	20	18
		29
	5	6
	23	11
26106-080902	5	12
	23	22
26106-100202	2	33
	20	21
26106-100252	24	17
26106-100302	6	11
		16
26106-100402	24	22
26106-100952	6	17
26106-101052	24	23
26116-050102	22	77
26116-060162	10	13

Parts No.	Fig. No.	Ref. No.
26116-060162	30	14
26116-120302	15	26
	35	26
	39	30
	40	30
26206-100352	3	4
	21	4
26206-100702	3	5
26216-060202	21	5
	5	4
26216-100302	23	9
	2	15
26226-080222	20	5
	4	45
26306-080002	22	49
	4	49
	6	8
26306-100002		12
	22	53
	24	18
	26	4
26366-060002	2	24
	16	12
	20	12
26450-100452	36	12
	13	36
26577-060162	33	36
	11	117
26716-050002	31	117
	10	14
26776-180002	30	15
	11	134
27241-160000	31	134
	7	19
	11	118
	25	19
27241-300000	31	118
	11	135
27241-400000	1	10
	19	14
27310-070001	4	10
	22	14
720445-44200	4	22
	22	26
729900-02801	10	41
	30	53
729906-01550	1	29
	19	30
	2	34

## Parts No. Index

Parts No.	Fig. No.	Ref. No.
729906-01550	20	22
729927-01560	1	1
729927-22900	8	33
729927-22950	8	35
	27	35
729927-53100	13	1
729927-92840	18	1
729928-01560	19	1
729928-22900	27	33
729928-51300	31	1
729928-53100	33	1
729928-92710	38	1
729939-51390	11	1
977770-1207F	18	35
	38	40
X2114155110	15	3
	35	3
X2114255110	15	4
	35	4
X2114955020	39	16
	40	16
X2130631300	15	10
	35	10
	39	11
	40	11

Parts No.	Fig. No.	Ref. No.
-----------	----------	----------

Parts No.	Fig. No.	Ref. No.
-----------	----------	----------

Parts No.	Fig. No.	Ref. No.
-----------	----------	----------