

0CD10-M98700EN

PREFACE

1. This parts catalog is the 1st edition of 4TNV98-EPIKA for KATO WORKS CO.,LTD.

Pub.No. : 000Y00D9870

Published : November, 2007

2. Model name

Engine model	Vehicle		Vehicle made by
	Products	Model name	
4TNV98-EPIKA	Mini Excavator	55N3	KATO WORKS CO.,LTD.

Contents

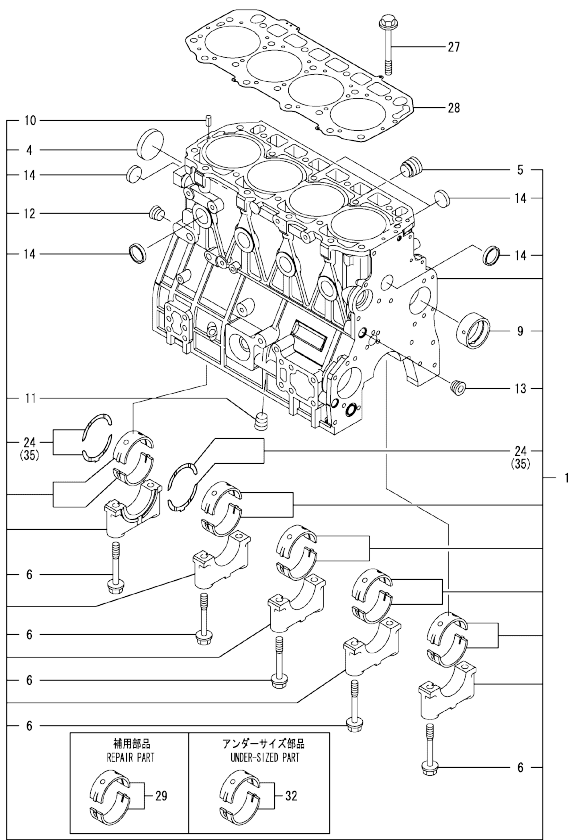
OCD10-M98700

Fig. No.	Fig. Name	Fig. No.	Fig. Name
4	TNV98-EPIKA		
1.	CYLINDER BLOCK		
2.	GEAR HOUSING		
3.	FLYWHEEL HOUSING & OIL SUMP		
4.	CYLINDER HEAD & BONNET		
5.	SUCTION MANIFOLD & AIR CLEANER		
6.	EXHAUST MANIFOLD & SILENCER		
7.	CAMSHAFT & DRIVING GEAR		
8.	CRANKSHAFT & PISTON		
9.	LUB.OIL SYSTEM		
10.	COOLING WATER SYSTEM		
11.	FUEL INJECTION PUMP		
12.	GOVERNOR		
13.	FUEL INJECTION VALVE		
14.	FUEL LINE		
15.	STARTING MOTOR		
16.	GENERATOR		
17.	ELECTRONIC CONTROL UNIT (ECU)		
18.	GASKET SET		
19.	LOOSE PART		

Fig.1. CYLINDER BLOCK

(A)=4TNV98-EPIKA
(B)=
(C)=

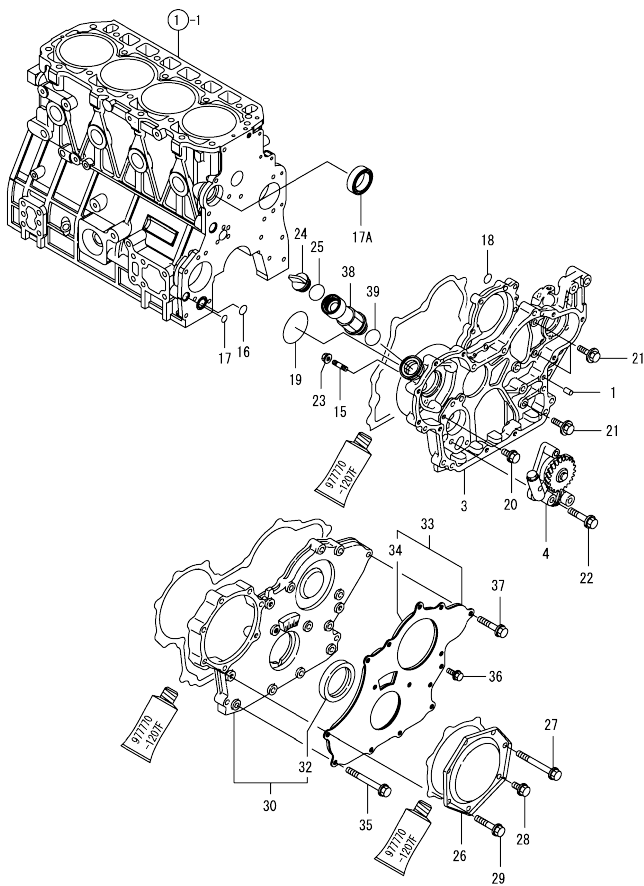
(D)=
(E)=
(F)=



No.	Lev.	Parts No.	Description	Q'ty						I	R
				(A)	(B)	(C)	(D)	(E)	(F)		
1	1	729927-01560	BLOCK ASSY, CYLINDER	1							
4	2	129900-01250	PLUG, DISH TYPE 55	1							
5	2	171051-01921	PLUG, NPTF1	1							
6	2	129900-02020	BOLT, METAL CAP	10							
9	2	129900-02410	BUSH, CAMSHAFT	1							
10	2	22351-060012	PIN, SPRING 6.0X12	2							
11	2	23876-030000	PLUG, R03	1							
12	2	23876-030000	PLUG, R03	1							
13	2	23876-030000	PLUG, R03	1							
14	2	27241-300000	PLUG 30	8							
24	2	129900-02931	BEARING ASSY, THRUST	2							
27	1	129900-01200	BOLT, CYLINDER HEAD	18							
28	1	129907-01331	GASKET, HEAD	1							
29	1	729900-02801	BEARING, MAIN	5							1
32	1	129900-02341	BEARING ASSY, MAIN	5							2
35	1	129900-02941	BEARING, THRUST 0.25	2							3

Remarks
(1) REPAIR PART.
(2) UNDER-SIZED(U.S=0.25)PART.
(3) OVER-SIZED(O.S=0.25)PART.

OCD10-M98700 4TNV98-EPIKA
 Fig.2. GEAR HOUSING



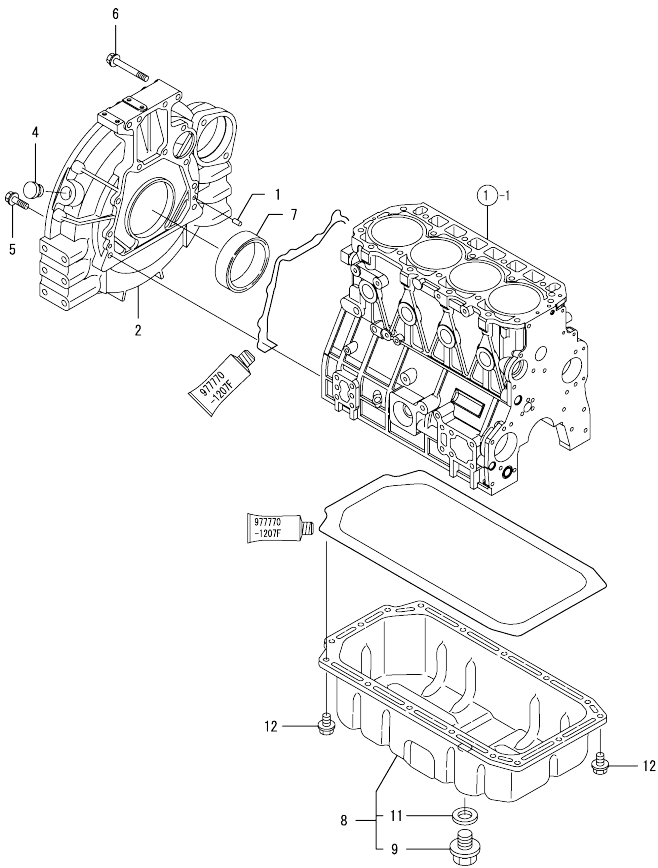
OCD10-M98700 Fig.2

(A)=4TNV98-EPIKA
 (B)=
 (C)=

(D)=
 (E)=
 (F)=

No.	Lev.	Parts No.	Description	Qty						I	R
				(A)	(B)	(C)	(D)	(E)	(F)		
1	1	129100-01580	PIN, PARALLEL 8X16	4							
3	1	129944-01500	CASE, GEAR	1							
4	1	129900-32001	PUMP ASSY, OIL	1							
15	1	26216-100302	STUD, M10X 30	4							
16	1	129900-32030	O-RING, P20	1							
17	1	129900-32040	O-RING, P14	1							
17A	1	129927-42140	GASKET, PUMP OUTLET	1							W
(A=ET5722)											
18	1	24311-000070	O-RING, 1AP7.0	1							
19	1	24351-030750	O-RING, 1A3075	1							
20	1	26106-080162	BOLT, M8X 16 PLATED	1							
21	1	26106-080202	BOLT, M8X 20 PLATED	3							
22	1	26106-080452	BOLT, M8X 45 PLATED	3							
23	1	26306-100002	NUT, M10	4							
24	1	124160-01751	CAP, FILLER	1							
25	1	24311-000320	O-RING, 1AP32.0	1							
26	1	129900-01740	COVER	1							
27	1	129001-91810	BOLT, M8X70	1							
28	1	26106-080162	BOLT, M8X 16 PLATED	1							
29	1	26106-080402	BOLT, M8X 40 PLATED	5							
30	1	729906-01550	COVER ASSY,GEAR CASE	1							
32	2	129916-01800	SEAL, OIL	1							
33	1	129900-01850	COVER ASSY,GEAR CASE	1							
34	2	129900-01870	SPONGE, GEAR CASE	1							
35	1	129001-91810	BOLT, M8X70	6							
36	1	26106-080162	BOLT, M8X 16 PLATED	3							
37	1	26106-080402	BOLT, M8X 40 PLATED	5							
38	1	171031-11741	PIPE	1							
39	1	24311-000320	O-RING, 1AP32.0	1							

Fig.3. FLYWHEEL HOUSING & OIL SUMP

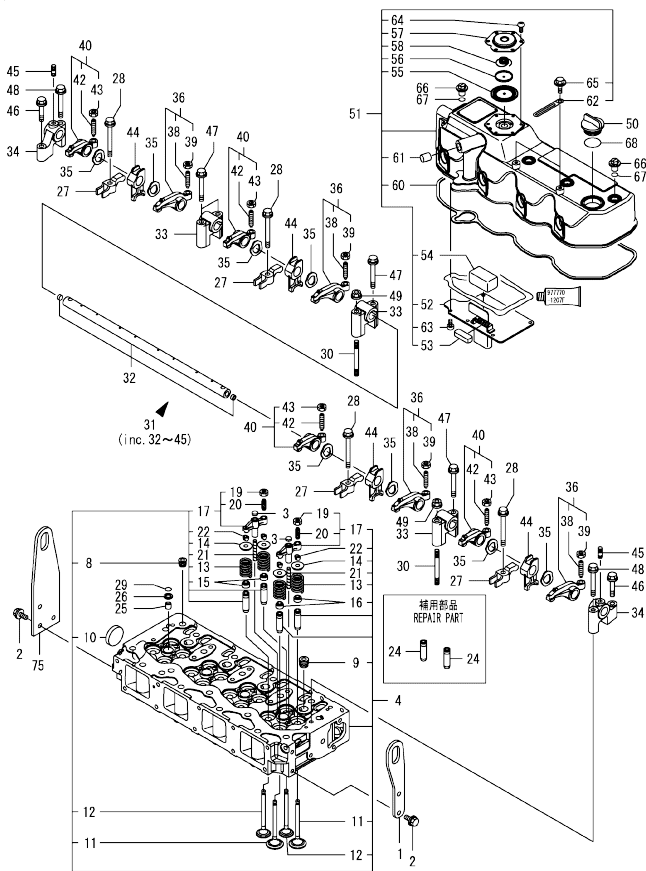


(A)=4TNV98-EPIKA
(B)=
(C)=

(D)=
(E)=
(F)=

No.	Lev.	Parts No.	Description	Q'ty						I	R
				(A)	(B)	(C)	(D)	(E)	(F)		
1	1	129100-01580	PIN, PARALLEL 8X16	2							
2	1	129953-01620	HOUSING, FLYWHEEL	1							
4	1	119620-01750	CAP	1							
5	1	26206-100352	BOLT, M10X 35 PLATED	9							
6	1	26206-100702	BOLT, M10X 70 PLATED	4							
7	1	129916-01790	SEAL, D115/95XT11	1							
8	1	129916-01710	OIL PAN ASSY	1							
9	2	119640-01640	PLUG, DRAIN M22	1							
11	2	22190-220002	WASHER, SEAL 22	1							
12	1	26106-080122	BOLT, M8X 12 PLATED	16							

Fig.4. CYLINDER HEAD & BONNET



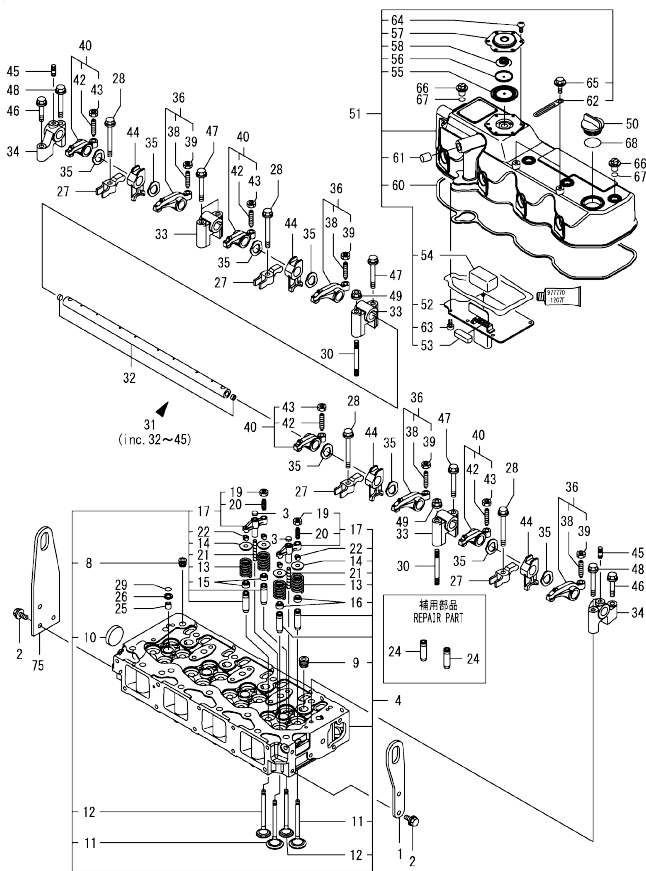
(A)=4TNV98-EPIKA
(B)=
(C)=

(D)=
(E)=
(F)=

No.	Lev.	Parts No.	Description	Q'ty						I	R
				(A)	(B)	(C)	(D)	(E)	(F)		
1	1	129907-07900	LIFTER, ENGINE	1							
2	1	26106-080162	BOLT, M8X 16 PLATED	5							
3	1	123907-11550	SEAT, VALVE BRIDGE	8							
4	1	129927-11700	HEAD ASSY, CYLINDER	1							
8	2	23876-020000	PLUG, R02	1							
9	2	23876-030000	PLUG, R03	4							
10	2	27241-400000	PLUG, 40	1							
11	2	129907-11100	VALVE, SUCTION	8							
12	2	129907-11110	VALVE, EXHAUST	8							
13	2	129907-11120	SPRING, VALVE	16							
14	2	119620-11180	RETAINER, SPRING	16							
15	2	119803-11340	SEAL, VALVE STEM	8							
16	2	124160-11340	SEAL, VALVE STEM	8							
17	2	129907-11510	BRIDGE ASSY, VALVE	8							
19	3	129150-11750	NUT, M8	8							
20	3	123907-11830	ADJUSTER	8							
21	2	123907-11820	GUIDE, BRIDGE	8							
22	2	27310-070001	COTTER, 7	16							
24	1	129907-11800	GUIDE, VALVE	16							1
25	1	119802-11870	PROTECTOR, NOZZLE	4							
26	1	119625-11880	SEAT, NOZZLE	4							
27	1	129907-11910	RETAINER, NOZZLE	4							
28	1	129907-11950	BOLT, M8X75	4							
29	1	24311-000120	O-RING, 1AP12.0	4							
30	1	119593-11301	BOLT, STUD M8X80	2							
31	1	129907-11341	SHAFT ASSY, ROCKER	1							
32	2	129907-11250	SHAFT, ROCKER ARM	1							
33	2	129907-11260	SUPPORT, ROCKER ARM	3							
34	2	129907-11270	SUPPORT, ROCKER ARM	2							
35	2	123907-11280	WASHER	8							
36	2	129907-11650	ARM ASSY, ROCKER	4							
38	3	129150-11230	SCREW, VALVE ADJUST	4							
39	3	129150-11750	NUT, M8	4							
40	2	129907-11660	ARM ASSY, ROCKER	4							
42	3	129150-11230	SCREW, VALVE ADJUST	4							
43	3	129150-11750	NUT, M8	4							
44	2	129907-11920	RETAINER, NOZZLE	4							
45	2	26226-080222	STUD, M8X 22	2							
46	1	26106-080402	BOLT, M8X 40 PLATED	2							
47	1	26106-080602	BOLT, M8X 60 PLATED	4							
48	1	26106-080602	BOLT, M8X 60 PLATED	2							
49	1	26306-080002	NUT, M8	2							
50	1	124160-01751	CAP, FILLER	1							
51	1	129927-11320	BONNET ASSY, HEAD	1							
52	2	129907-03011	PLATE, BAFFLE	1							
53	2	129907-03061	BAFFLE, BREATHER	1							
54	2	129907-03070	BAFFLE, BREATHER	1							
55	2	123907-03100	DIAPHRAGM	1							
56	2	123907-03110	PLATE	1							
57	2	123907-03120	PLATE, BREATHER	1							
58	2	123907-03140	SPRING, DIAPHRAGM	1							

Remarks
(1) REPAIR PART.

Fig.4. CYLINDER HEAD & BONNET



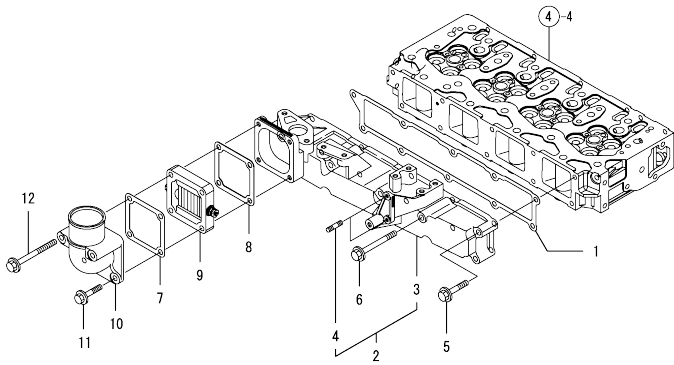
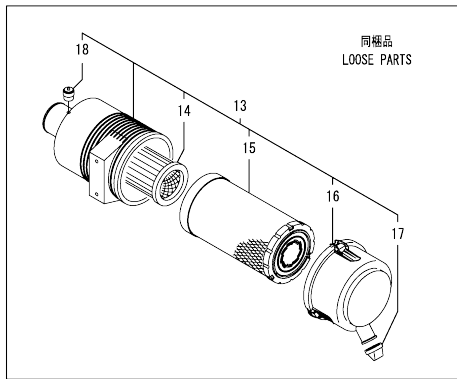
(A)=4TNV98-EPIKA
(B)=
(C)=

(D)=
(E)=
(F)=

No.	Lev.	Parts No.	Description	Q'ty						I	R
				(A)	(B)	(C)	(D)	(E)	(F)		
60	2	129933-11310	GASKET, BONNET	1							
61	2	119640-61400	PLUG	1							
62	2	175339-79700	CLIP	2							
63	2	22857-500100	SCREW, 5X10	6							
64	2	22857-500100	SCREW, 5X10	6							
65	2	26106-060122	BOLT, M6X 12 PLATED	2							
66	1	124160-11360	KNOB	4							
67	1	24311-000120	O-RING, 1AP12.0	4							
68	1	24311-000320	O-RING, 1AP32.0	1							
75	1	129939-07900	LIFTER	1							

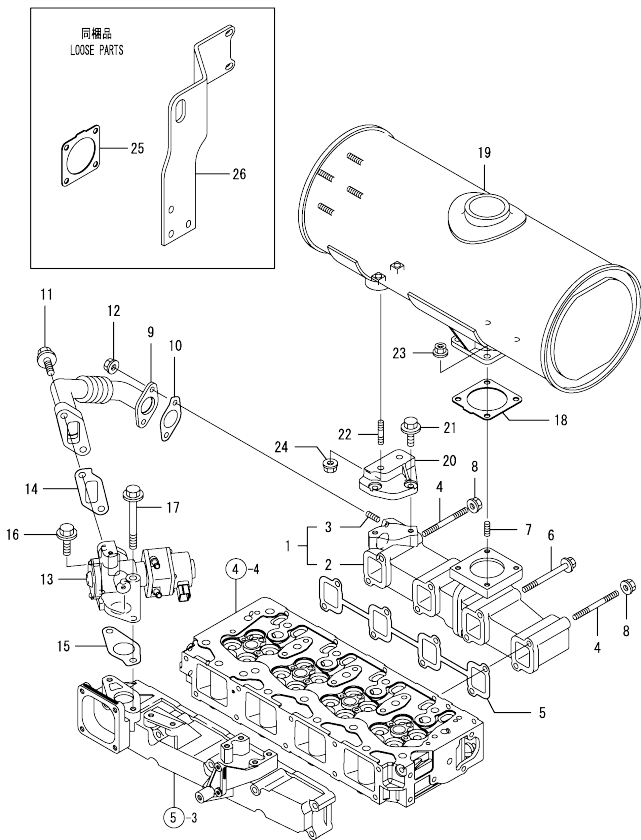
Remarks
(1) REPAIR PART.

Fig.5. SUCTION MANIFOLD & AIR CLEANER



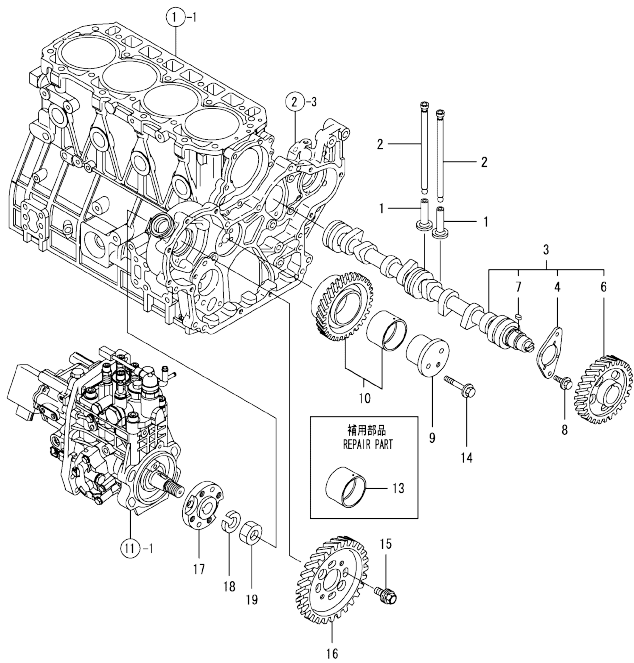
No.	Lev.	Parts No.	Description	Q'ty						I	R
				(A)	(B)	(C)	(D)	(E)	(F)		
1	1	129907-12110	GASKET, MANIFOLD	1							
2	1	129927-12150	MANIFOLD ASSY,INTAKE	1							
3	2	129927-12100	MANIFOLD, AIR INTAKE	1							
4	2	26216-060202	STUD, M6X 20	2							
5	1	26106-080452	BOLT, M8X 45 PLATED	6							
6	1	26106-080802	BOLT, M8X 80 PLATED	4							
7	1	119129-77020	GASKET	1							
8	1	121850-77021	GASKET, AIR HEATER	1							
9	1	119005-77050	HEATER, AIR	1							
10	1	119129-77520	BEND	1							
11	1	26106-080402	BOLT, M8X 40 PLATED	2							
12	1	26106-080902	BOLT, M8X 90 PLATED	2							
13	1	129939-12520	CLEANER ASSY, AIR	1							
14	2	119160-12570	ELEMENT, INNER	1							
15	2	119160-12560	ELEMENT, OUTER	1							
16	2	119160-12530	COVER ASSY	1							
17	2	119160-12540	VALVE	1							
18	2	126650-12680	INDICATOR	1							

Fig.6. EXHAUST MANIFOLD & SILENCER



No.	Lev.	Parts No.	Description	Q'ty						I	R
				(A)	(B)	(C)	(D)	(E)	(F)		
1	1	129927-13150	MANIFOLD ASSY, EXH.	1							
2	2	129927-13100	MANIFOLD, EXHAUST	1							
3	2	129418-18320	BOLT, STUD M8X20	2							
4	1	129263-13210	BOLT, STUD M8X90	2							
5	1	129900-13251	GASKET, EXH.MANIFOLD	1							
6	1	119802-13680	BOLT, M8X90 10.9T	6							
7	1	119131-18320	BOLT, STUD M8X22	4							
8	1	26306-080002	NUT, M8	2							
9	1	129927-13800	PIPE ASSY, EGR	1							
10	1	129927-13810	GASKET	1							
11	1	26106-100302	BOLT, M10X 30 PLATED	2							
12	1	26306-080002	NUT, M8	2							
13	1	129927-13900	VALVE, EGR	1							
14	1	129927-13910	GASKET, EGR	1							
15	1	129927-13920	GASKET, EGR	1							
16	1	26106-100302	BOLT, M10X 30 PLATED	1							
17	1	26106-100952	BOLT, M10X 95 PLATED	1							
18	1	129930-13201	GASKET, SILENCER	1							
19	1	129907-13500	SILENCER	1							
20	1	129927-13550	BRACKET, SILENCER	1							
21	1	26106-080202	BOLT, M8X 20 PLATED	2							
22	1	26216-080402	STUD, M8X 40	1							
23	1	26306-080002	NUT, M8	4							
24	1	26306-080002	NUT, M8	2							
25	1	129930-13201	GASKET, SILENCER	1							
26	1	129938-13660	STAY, SILENCER	1							

Fig.7. CAMSHAFT & DRIVING GEAR



(A)=4TNV98-EPIKA
(B)=
(C)=

(D)=
(E)=
(F)=

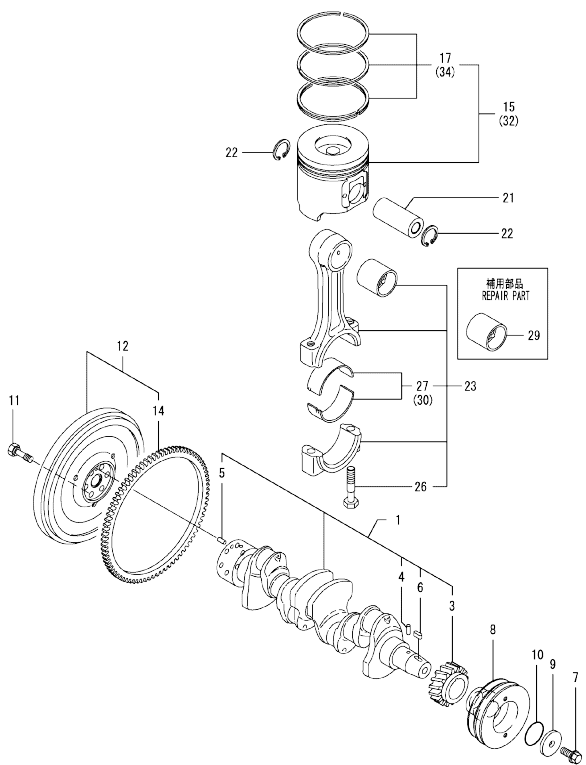
No.	Lev.	Parts No.	Description	Q'ty						I	R
				(A)	(B)	(C)	(D)	(E)	(F)		
1	1	129150-14200	TAPPET	8							
2	1	129907-14400	PUSH-ROD	8							
3	1	129908-14581	CAMSHAFT ASSY	1							
4	2	129150-02450	BEARING, THRUST	1							
6	2	129900-14100	GEAR, CAMSHAFT	1							
7	2	22512-070140	KEY, 7X 14	1							
8	1	26106-080162	BOLT, M8X 16 PLATED	2							
9	1	123900-25060	SHAFT, IDLE GEAR	1							
10	1	129900-25100	GEAR ASSY, IDLE	1							
13	1	129150-25920	BUSH, IDLE GEAR	1							1
14	1	26106-080552	BOLT, M8X 55 PLATED	3							
15	1	129953-25300	BOLT	4							
16	1	129907-25900	GEAR, PUMP	1							
17	1	158563-51150	FLANGE	1							
18	1	22217-180000	WASHER, SPRING 18	1							
19	1	26776-180002	NUT, LOCK M18	1							

Remarks
(1) REPAIR PART.

Fig.8. CRANKSHAFT & PISTON

(A)=4TNV98-EPIKA
(B)=
(C)=

(D)=
(E)=
(F)=



No.	Lev.	Parts No.	Description	Q'ty						I	R
				(A)	(B)	(C)	(D)	(E)	(F)		
1	1	129902-21000	CRANKSHAFT ASSY	1							
3	2	129900-21200	GEAR, CRANKSHAFT	1							
4	2	121850-21290	PIN	1							
5	2	121850-21920	PIN, PARALLEL 10X22	1							
6	2	22512-070140	KEY, 7X 14	1							
7	1	129916-21610	BOLT	1							
8	1	129907-21650	V-PULLEY, CRANK 130	1							
9	1	129960-21640	WASHER	1							
10	1	24341-000530	O-RING, 1AS53.0	1							
11	1	121850-21130	BOLT, FLYWHEEL	6							
12	1	129916-21590	FLYWHEEL ASSY	1							
14	2	129900-21600	GEAR, RING	1							
15	1	129927-22080	PISTON ASSY	4							
17	2	129927-22050	RING SET, PISTON	4							
21	1	120130-22301	PIN, PISTON	4							
22	1	22252-000300	RING, 30	8							
23	1	129900-23001	ROD ASSY, CONNECTING	4							
26	2	129900-23200	BOLT, CONNECTING ROD	8							
27	2	129900-23601	BEARING, CRANK PIN	4							
29	1	129900-23911	BEARING, PISTON PIN	4							1
30	1	129900-23611	BEARING ASSY, 0.25US	4							2
32	1	729927-22900	PISTON ASSY, 0.25 OS	4							3
34	2	729927-22950	RING SET, 0.25 OS	4							3

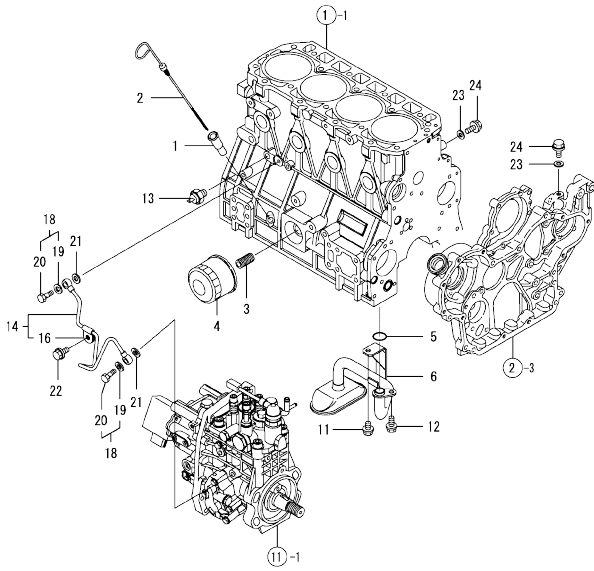
Remarks
(1) REPAIR PART.
(2) UNDER-SIZED(U.S=0.25)PART.
(3) OVER-SIZED(O.S=0.25)PART.

Fig.9. LUB.OIL SYSTEM

(A)=4TNV98-EPIKA
(B)=
(C)=

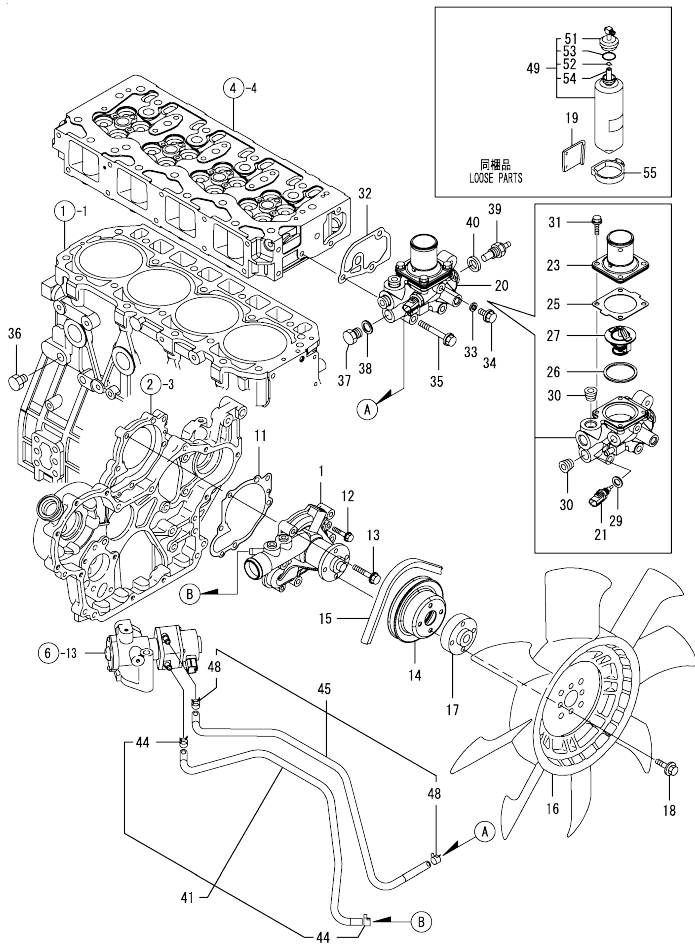
(D)=
(E)=
(F)=

No.	Lev.	Parts No.	Description	Q'ty						I	R
				(A)	(B)	(C)	(D)	(E)	(F)		
1	1	121520-34810	GUIDE, DIPSTICK	1							
2	1	129953-34830	DIPSTICK	1							
3	1	119000-35140	BOLT, STUD FILTER	1							
4	1	129150-35153	FILTER ASSY, D80X80L	1							1
5	1	129900-32030	O-RING, P20	1							
6	1	129953-35000	PIPE ASSY, OIL INLET	1							
11	1	26106-080122	BOLT, M8X 12 PLATED	1							
12	1	26106-080162	BOLT, M8X 16 PLATED	1							
13	1	119761-39450	SWITCH, HYDRAULIC	1							
14	1	129927-39060	PIPE ASSY, OIL	1							
16	2	123907-39500	RETAINER, PIPE	1							
18	1	129005-59830	BOLT ASSY, JOINT M8	2							
19	2	22190-080002	WASHER, SEAL 6	2							
20	2	23857-030000	BOLT, JOINT 3	2							
21	1	22190-080002	WASHER, SEAL 6	2							
22	1	26106-080122	BOLT, M8X 12 PLATED	1							
23	1	22190-080002	WASHER, SEAL 6	2							
24	1	26106-080122	BOLT, M8X 12 PLATED	2							



Remarks
(1) REPAIR PART.

Fig.10. COOLING WATER SYSTEM

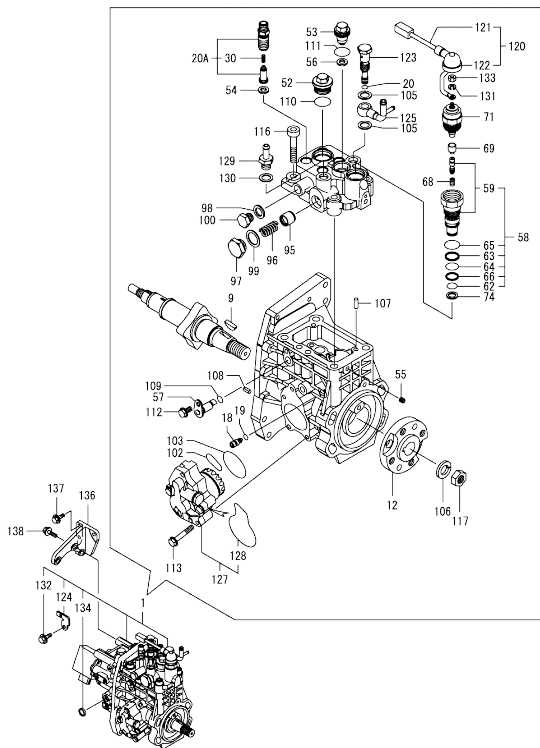


(A)=4TNV98-EPIKA
(B)=
(C)=

(D)=
(E)=
(F)=

No.	Lev.	Parts No.	Description	Q'ty						I	R
				(A)	(B)	(C)	(D)	(E)	(F)		
1	1	129927-42000	PUMP ASSY, WATER	1							
11	1	129900-42020	GASKET, WATER PUMP	1							
12	1	26106-060302	BOLT, M6X 30 PLATED	2							
13	1	26106-080552	BOLT, M8X 55 PLATED	5							
14	1	129900-42461	V-PULLEY, C.W.PUMP	1							
15	1	25152-004150	V-BELT, A41.5	1							
16	1	119130-44740	FAN, COOLING D=410	1							
17	1	119130-44760	SPACER, FAN	1							
18	1	26106-080302	BOLT, M8X 30 PLATED	4							
19	1	121256-44600	BRACKET, SUB TANK	1							
20	1	129927-49800	CASE ASSY,THERMOSTAT	1							
21	2	129927-44900	SENSOR, WATER TEMP.	1							
23	2	129916-49530	COVER, THERMOSTAT	1							
25	2	121850-49540	GASKET, THERMOSTAT	1							
26	2	121850-49550	GASKET, THERMOSTAT	1							
27	2	121850-49810	THERMOSTAT, 71C	1							
29	2	22190-120002	WASHER, SEAL 12	1							
30	2	23875-030000	PLUG, R03	2							
31	2	26106-060202	BOLT, M6X 20 PLATED	4							
32	1	129900-49870	GASKET, THERMOSTAT	1							
33	1	23414-080000	GASKET, 8X1.0	1							
34	1	26106-080122	BOLT, M8X 12 PLATED	1							
35	1	26106-080602	BOLT, M8X 60 PLATED	3							
36	1	171056-49120	PLUG, DRAIN R1/4	1							
37	1	121450-42450	PLUG, M16	1							
38	1	124465-44950	GASKET, 16	1							
39	1	171056-49351	SENSOR, WATER TEMP.	1							
40	1	129150-49360	GASKET	1							
41	1	129927-49610	HOSE ASSY, WATER	1							
44	2	23080-012000	CLAMP, 12	2							
45	1	129927-49620	HOSE ASSY, WATER	1							
48	2	23080-012000	CLAMP, 12	2							
49	1	171064-44510	TANK ASSY, SUB	1							
51	2	121450-44531	CAP	1							
52	2	124450-44560	CLAMP, HOSE	1							
53	2	121470-44581	GASKET	1							
54	2	23065-070225	HOSE 7X 225	1							
55	1	124450-44550	BAND, SUB-TANK	1							

Fig.11. FUEL INJECTION PUMP



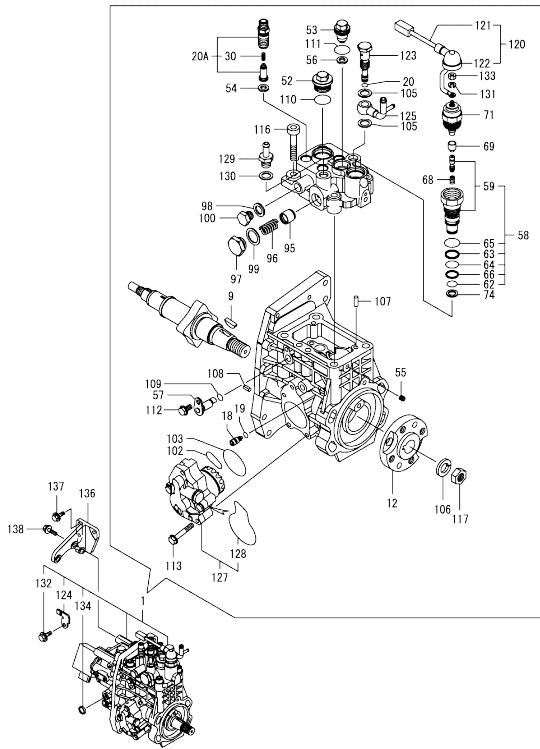
Remarks

(1) GOVERNOR ASSY (FIG.12) IS INCORPORATED IN THIS FUEL INJECTION PUMP (REF.NO.1).
 * ECO PUMP
 MAKE SURE TO UPDATE THE ENGINES ECU INFORMATION WHEN REPLACING THE ECO PUMP.
 FAILING TO DO SO WILL RESULT IN ENGINE MALFUNCTION.

No.	Lev.	Parts No.	Description	Q'ty						I	R
				(A)	(B)	(C)	(D)	(E)	(F)		
1	1	729939-51310	PUMP ASSY, INJECTION	1							1
9	2	144626-51090	FEATHER KEY, 5X19	1							
12	2	158563-51150	FLANGE	1							
18	2	158600-51270	STOPPER, TAPPET	1							
19	2	158563-51281	O-RING, 4D S6	1							
20	2	158563-51281	O-RING, 4D S6	1							
20A	2	129927-51390	VALVE ASSY, DELIVERY	4							W
(A=*2008.04.)											
30	3	158563-51330	SPRING, DELIVERY	4							
52	2	158601-51550	PLUG, M22	1							
53	2	129907-51560	PLUG, M16	1							
54	2	158552-51570	GASKET, PLUG	4							
55	2	158557-51570	PLUG, RACK	1							
56	2	129906-51580	GASKET, PLUG	1							
57	2	158552-51580	LIFTER, LINK	1							
58	2	129657-51590	TIMER ASSY	1							
59	3	129657-51600	TIMER ASSY	1							
62	3	158553-51670	O-RING	1							
63	3	119802-51680	RING, BACKUP	1							
64	3	119802-51690	O-RING	1							
65	3	24356-010200	O-RING, 4D1020	1							
66	3	24372-000150	RING, BACK UP T2P15	1							
68	2	119852-51630	SPRING, TIMER	1							
69	2	119852-51640	CAP, TIMER	1							
71	2	119852-51650	VALVE ASSY, SOLENOID	1							
74	2	158553-51680	GASKET, TIMER	1							
95	2	158601-51770	PISTON, ACCUMULATOR	1							
96	2	158552-51781	SPRING, ACCUMULATOR	1							
97	2	158601-51790	PLUG	1							
98	2	22190-120002	WASHER, SEAL 12	1							
99	2	22190-180002	WASHER, SEAL 18	1							
100	2	23887-120002	PLUG, 12	1							
102	2	158552-52310	O-RING	1							
103	2	158552-52400	O-RING, 4E S42	1							
105	2	22190-120002	WASHER, SEAL 12	2							
106	2	22217-180000	WASHER, SPRING 18	1							
107	2	22312-050140	PIN, PARALLEL M5X14	2							
108	2	22351-050010	PIN, SPRING 5.0X10	2							
109	2	24311-000070	O-RING, 1AP7.0	1							
110	2	24356-010200	O-RING, 4D1020	1							
111	2	24356-020210	O-RING, 4D2021	1							
112	2	26106-060102	BOLT, M6X 10 PLATED	1							
113	2	26106-060352	BOLT, M6X 35 PLATED	4							
116	2	26450-100452	BOLT, M10X 45	4							
117	2	26776-180002	NUT, LOCK M18	1							
120	2	129927-51650	HARNES ASSY, WIRE	1							
121	3	129927-51660	HARNES	1							
122	3	129263-77941	CAP, RUBBER	1							
123	2	158601-51650	JOINT, OVER FLOW	1							
124	2	129927-51670	BRACKET	1							
125	2	158552-51670	JOINT, OVER FLOW	1							

N:Old $\frac{New}{Old}$ New, Q:Old $\frac{New}{Old}$ New, R:Old $\frac{New}{Old}$ New, S:Old $\frac{New}{Old}$ New, W:Add, Z:Discontinued, F:Interchangeable by set, K:Q'ty Change
 ++ CONTINUE ++
 Copyright (C) YANMAR GLOBAL CS CO., LTD. All Rights Reserved.

Fig.11. FUEL INJECTION PUMP



(A)=4TNV98-EPIKA
(B)=
(C)=

(D)=
(E)=
(F)=

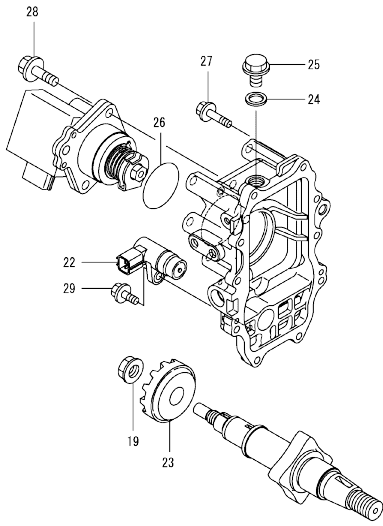
No.	Lev.	Parts No.	Description	Q'ty						I	R
				(A)	(B)	(C)	(D)	(E)	(F)		
127	2	158552-52100	PUMP ASSY, FUEL FEED	1							
128	3	158552-52500	O-RING	1							
129	2	119934-59910	JOINT, PIPE	1							
130	2	22190-120002	WASHER, SEAL 12	1							
131	2	22217-050000	WASHER, SPRING 5	1							
132	2	26106-060122	BOLT, M6X 12 PLATED	1							
133	2	26716-050002	NUT, M5	1							
134	2	27241-160000	PLUG, 16	1							
136	1	129927-51250	RETAINER, PUMP	1							
137	1	26106-080202	BOLT, M8X 20 PLATED	3							
138	1	26106-080302	BOLT, M8X 30 PLATED	3							

Remarks

(1) GOVERNOR ASSY (FIG.12) IS INCORPORATED IN THIS FUEL INJECTION PUMP (REF.NO.1).
* ECO PUMP
MAKE SURE TO UPDATE THE ENGINES ECU INFORMATION WHEN REPLACING THE ECO PUMP.
FAILING TO DO SO WILL RESULT IN ENGINE MALFUNCTION.

OCD10-M98700 4TNV98-EPIKA
 Fig.12. GOVERNOR

OCD10-M98700 Fig.12



(A)=4TNV98-EPIKA
 (B)=
 (C)=

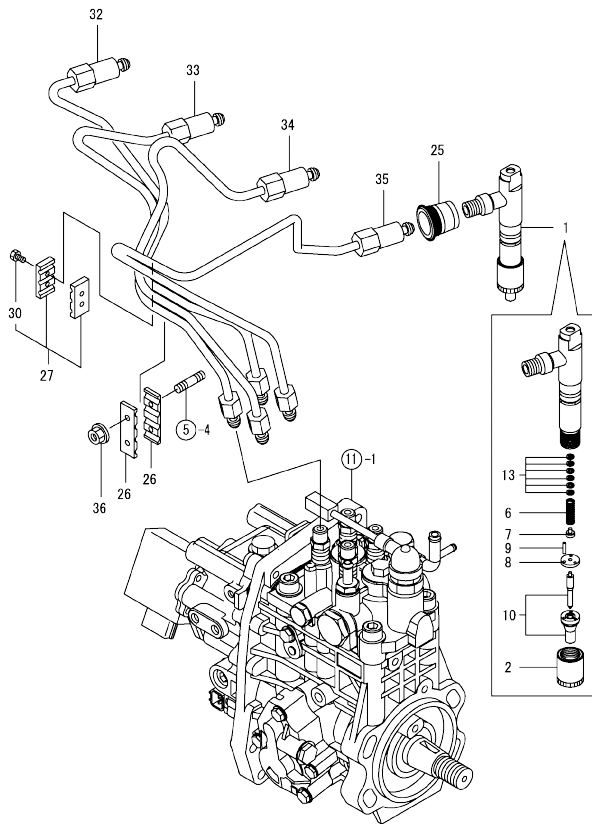
(D)=
 (E)=
 (F)=

No.	Lev.	Parts No.	Description	Q'ty					
				(A)	(B)	(C)	(D)	(E)	(F)
19	2	119660-61300	NUT	1					
22	2	158557-61720	SENSOR	1					
23	2	158553-61780	GEAR, SENSOR	1					
24	2	23414-120000	GASKET, 12X1.0	1					
25	2	23887-120002	PLUG, 12	1					
26	2	24341-000480	O-RING, 1AS48.0	1					
27	2	26106-060252	BOLT, M6X 25 PLATED	10					
28	2	26106-080252	BOLT, M8X 25 PLATED	3					

Remarks
 * THIS FIGURE(GOVERNOR ASSY)IS
 INCORPORATED IN THE FUEL INJECTION
 PUMP ASSY(FIG.11).

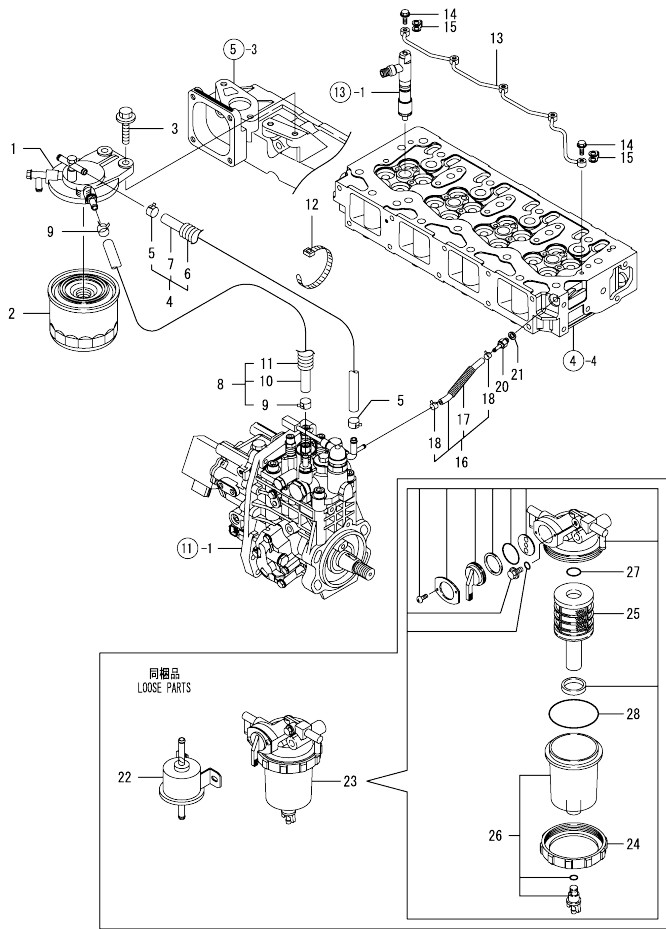
N:Old $\frac{100}{100}$ New, Q:Old $\frac{100}{100}$ New, R:Old $\frac{100}{100}$ New, S:Old $\frac{100}{100}$ New, W:Add, Z:Discontinued, F:Interchangeable by set, K:Q'ty Change
 Copyright (C) YANMAR GLOBAL CS CO., LTD. All Rights Reserved.

Fig.13. FUEL INJECTION VALVE



No.	Lev.	Parts No.	Description	Q'ty						I	R
				(A)	(B)	(C)	(D)	(E)	(F)		
1	1	729927-53200	FUEL INJECTOR ASSY	4							
2	2	114250-53080	NUT, NOZZLE	4							
6	2	114250-53120	SPRING, NOZZLE	4							
7	2	114250-53130	SEAT, SPRING	4							
8	2	114250-53140	SPACER	4							
9	2	114250-53210	PIN	8							
10	2	129927-53200	NOZZLE ASSY, F.I.	4							
13	2	114250-53400	SHIM SET	4							
25	1	123907-11601	SEAL, PIPE	4							
26	1	123472-59120	RETAINER, PIPE	2							
27	1	129150-59120	RETAINER, PIPE	1							
30	2	129150-59131	BOLT, M4X14	2							
32	1	129927-59810	PIPE ASSY, INJECTION	1							
33	1	129927-59820	PIPE ASSY, INJECTION	1							
34	1	129927-59830	PIPE ASSY, INJECTION	1							
35	1	129927-59840	PIPE ASSY, INJECTION	1							
36	1	26366-060002	NUT, M6	2							

Fig.14. FUEL LINE



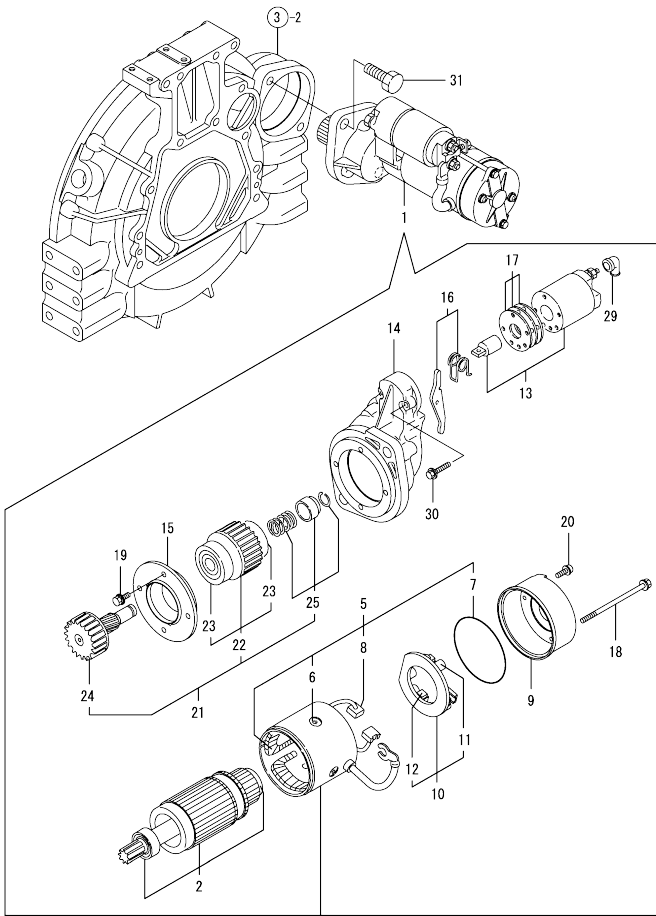
No.	Lev.	Parts No.	Description	Q'ty						I	R
				(A)	(B)	(C)	(D)	(E)	(F)		
1	1	129004-55612	BRACKET, FILTER	1							
2	1	119802-55801	FILTER, FUEL	1							
3	1	26106-080302	BOLT, M8X 30 PLATED	2							
4	1	129457-59010	HOSE ASSY, FUEL	1							
5	2	124766-59050	CLAMP, HOSE 11.5	2							
6	2	129957-59120	TUBE, CORRUGATED 15	1							
7	2	105025-59750	HOSE, FUEL	1							
8	1	129961-59310	HOSE ASSY, FUEL	1							
9	2	124766-59050	CLAMP, HOSE 11.5	2							
10	2	129136-59110	HOSE, D13/7.5X270	1							
11	2	129961-59110	TUBE, CORRUGATED 15	1							
12	1	121750-59890	BAND, NYLON	1							
13	1	129907-59140	PIPE ASSY, RETURN	1							
14	1	123907-59540	BOLT, PIPE JOINT M6	5							
15	1	123907-59550	GASKET	5							
16	1	129927-59550	HOSE ASSY RETURN	1							
17	2	129263-49750	TUBE, CORRUGATED	1							
18	2	124722-59050	CLAMP, HOSE 9	2							
20	1	123907-59560	JOINT, HOSE	1							
21	1	22190-080002	WASHER, SEAL 6	1							
22	1	119225-52102	PUMP, FUEL FEED	1							
23	1	129906-55700	SEPARATOR ASSY,WATER	1							
24	2	129100-55690	RING, CUP RETAINING	1							
25	2	119802-55710	ELEMENT	1							
26	2	119802-55730	CUP ASSY, SEPARATOR	1							
27	2	24311-000160	O-RING, 1AP16.0	1							
28	2	24321-000650	O-RING, 1AG65.0	1							

N:Old $\frac{100}{100}$ New, Q:Old $\frac{100}{100}$ New, R:Old $\frac{100}{100}$ New, S:Old $\frac{100}{100}$ New, W:Add, Z:Discontinued, F:Interchangeable by set, K:Q'ty Change
 Copyright (C) YANMAR GLOBAL CS CO., LTD. All Rights Reserved.

Fig.15. STARTING MOTOR

(A)=4TNV98-EPIKA
(B)=
(C)=

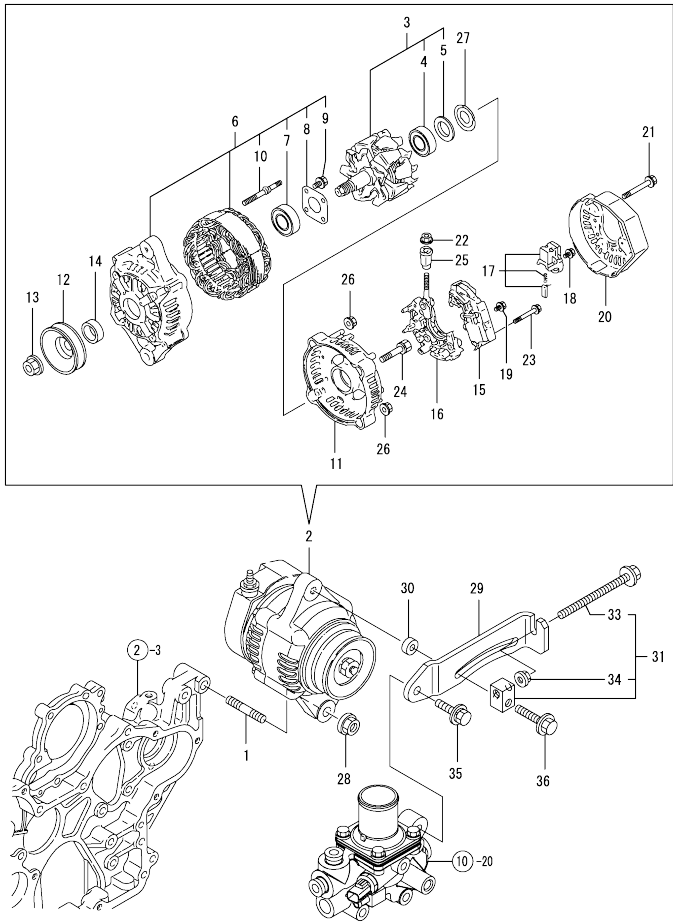
(D)=
(E)=
(F)=



No.	Lev.	Parts No.	Description	Q'ty						I	R
				(A)	(B)	(C)	(D)	(E)	(F)		
1	1	129940-77010	STARTER ASSY	1							
2	2	129940-77100	ARMATURE ASSY	1							
5	2	129940-77130	COIL ASSY, FIELD	1							
6	3	129940-77140	SCREW, CORE SET	4							
7	3	129940-77150	O-RING	1							
8	3	129940-77160	BRUSH	2							
9	2	129940-77170	COVER	1							
10	2	129940-77180	HOLDER ASSY, BRUSH	1							
11	3	129940-77190	SPRING, BRUSH	1							
12	3	129940-77200	BRUSH	2							
13	2	129940-77210	SWITCH ASSY, MAGNET	1							
14	2	129940-77220	CASE, GEAR	1							
15	2	129940-77230	RETAINER, BEARING	1							
16	2	129940-77240	LEVER SET	1							
17	2	129940-77250	COVER KIT, DUST	1							
18	2	129940-77260	BOLT, THROUGH	2							
19	2	129940-77270	BOLT	4							
20	2	129940-77280	SCREW	2							
21	2	123900-77510	PINION ASSY	1							
22	3	123900-77520	CLUTCH ASSY	1							
23	4	X2240610100	BEARING, BALL	2							
24	3	123900-77540	SHAFT, PINION	1							
25	3	119131-77550	STOPPER SET, PINION	1							
29	2	121254-77810	COVER, TERMINAL	1							
30	2	114371-79070	BOLT	2							
31	1	26116-120252	BOLT, M12X 25 PLATED	2							

OCD10-M98700 4TNV98-EPIKA
 Fig.16. GENERATOR

OCD10-M98700 Fig.16



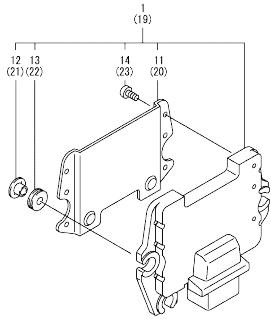
(A)=4TNV98-EPIKA
 (B)=
 (C)=

(D)=
 (E)=
 (F)=

No.	Lev.	Parts No.	Description	Qty						I	R
				(A)	(B)	(C)	(D)	(E)	(F)		
1	1	129795-01900	BOLT, STUD M10X33	1							
2	1	129240-77200	ALTERNATOR, 12V-40A	1							
3	2	119620-77380	ROTOR ASSY	1							
4	3	123501-79240	BEARING, BALL	1							
5	3	119620-79250	COVER, BEARING	1							
6	2	119620-77421	FRAME ASSY,GENERATOR	1							
7	3	119620-79200	BEARING, BALL	1							
8	3	119620-79210	RETAINER	1							
9	3	119620-79220	SCREW	4							
10	3	119620-79230	BOLT, STUD	2							
11	2	119620-77440	FRAME ASSY	1							
12	2	119620-77461	PULLEY, GENERATOR	1							
13	2	119620-77471	NUT	1							
14	2	119620-77490	COLLAR	1							
15	2	129240-77710	REGULATOR ASSY	1							
16	2	119620-79260	HOLDER	1							
17	2	129052-79270	HOLDER, BRUSH	1							
18	2	119620-79290	SCREW	6							
19	2	119620-79300	SCREW	1							
20	2	129240-79300	COVER	1							
21	2	119620-79310	BOLT	3							
22	2	129240-79310	NUT	1							
23	2	119620-79320	SCREW	2							
24	2	119620-79330	BOLT	2							
25	2	119620-79340	BUSH, INSULATION	1							
26	2	119620-79350	NUT	2							
27	2	119620-79360	WASHER, THRUST	1							
28	1	26306-100002	NUT, M10	1							
29	1	129906-77300	ADJUSTER, BELT	1							
30	1	121236-77340	SPACER	1							
31	1	119624-77351	BLOCK ASSY, ADJUSTER	1							
33	2	26106-081004	BOLT, M8X100 PLATED	1							
34	2	26306-080002	NUT, M8	1							
35	1	26014-080252	BOLT, M8X 25	1							
36	1	26106-080552	BOLT, M8X 55 PLATED	1							

N:Old $\frac{100}{100}$ New, Q:Old $\frac{100}{100}$ New, R:Old $\frac{100}{100}$ New, S:Old $\frac{100}{100}$ New, W:Add, Z:Discontinued, F:Interchangeable by set, K:Qty Change
 Copyright (C) YANMAR GLOBAL CS CO., LTD. All Rights Reserved.

Fig.17. ELECTRONIC CONTROL UNIT (ECU)



(A)=4TNV98-EPIKA
(B)=
(C)=

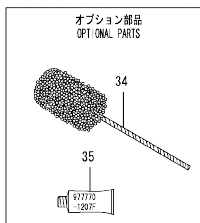
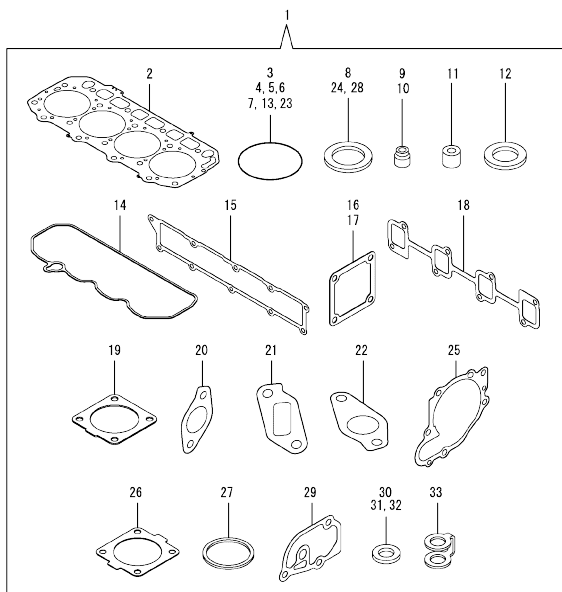
(D)=
(E)=
(F)=

No.	Lev.	Parts No.	Description	Q'ty						I	R
				(A)	(B)	(C)	(D)	(E)	(F)		
1	1	129939-75030	CONTROLLER ASSY, EUC	1							1
11	2	129927-77600	SHIELD, ECU	1							
12	2	129927-77680	COLLAR, CONTROL	3							
13	2	119578-91351	ABSORBER	3							
14	2	22877-500080	SCREW, 5X 8	6							
19	1	129927-75900	ECU ASSY, SERVICE	1							2
20	2	129927-77600	SHIELD, ECU	1							
21	2	129927-77680	COLLAR, CONTROL	3							
22	2	119578-91351	ABSORBER	3							
23	2	22877-500080	SCREW, 5X 8	6							

Remarks

(1)ECO ECU
THIS PART CANNOT BE ORDERED.
REPLACE THE PART USING A SERVICE
ECU WITH THE PROPER ENGINE
INFORMATION INSTALLED.
(2)SERVICE ECU
IF THE PROPER INFORMATION IS NOT
INSTALLED, THE ENGINE WILL NOT
OPERATE.
TO INSTALL PROPER INFORMATION,
GO TO AN AUTHORIZED DISTRIBUTOR.

Fig.18. GASKET SET



(A)=4TNV98-EPIKA
(B)=
(C)=

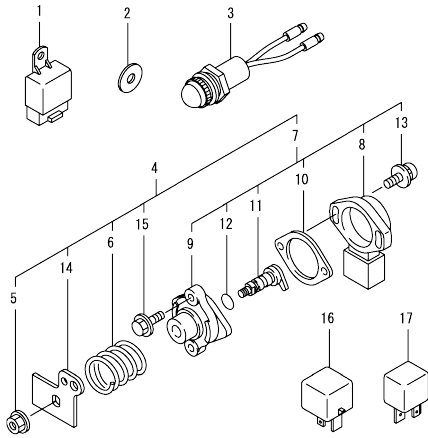
(D)=
(E)=
(F)=

No.	Lev.	Parts No.	Description	Q'ty						I	R	
				(A)	(B)	(C)	(D)	(E)	(F)			
1	1	729927-92620	GASKET SET	1							1	
2	2	129907-01331	GASKET, HEAD	1								
3	2	129900-32030	O-RING, P20	2								
4	2	129900-32040	O-RING, P14	1								
5	2	24311-000070	O-RING, 1AP7.0	1								
6	2	24351-030750	O-RING, 1A3075	1								
7	2	24311-000320	O-RING, 1AP32.0	3								
8	2	22190-220002	WASHER, SEAL 22	1								
9	2	119803-11340	SEAL, VALVE STEM	8								
10	2	124160-11340	SEAL, VALVE STEM	8								
11	2	119802-11870	PROTECTOR, NOZZLE	4								
12	2	119625-11880	SEAT, NOZZLE	4								
13	2	24311-000120	O-RING, 1AP12.0	8								
14	2	129933-11310	GASKET, BONNET	1								
15	2	129907-12110	GASKET, MANIFOLD	1								
16	2	119129-77020	GASKET	1								
17	2	121850-77021	GASKET, AIR HEATER	1								
18	2	129900-13251	GASKET, EXH.MANIFOLD	1								
19	2	129930-13201	GASKET, SILENCER	2								
20	2	129927-13810	GASKET	1								
21	2	129927-13910	GASKET, EGR	1								
22	2	129927-13920	GASKET, EGR	1								
23	2	24341-000530	O-RING, 1AS53.0	1								
24	2	22190-080002	WASHER, SEAL 6	7								
25	2	129900-42020	GASKET, WATER PUMP	1								
26	2	121850-49540	GASKET, THERMOSTAT	1								
27	2	121850-49550	GASKET, THERMOSTAT	1								
28	2	22190-120002	WASHER, SEAL 12	1								
29	2	129900-49870	GASKET, THERMOSTAT	1								
30	2	23414-080000	GASKET, 8X1.0	1								
31	2	124465-44950	GASKET, 16	1								
32	2	129150-49360	GASKET	1								
33	2	123907-59550	GASKET	5								
34	1	129400-92450	HONE, FLEX	1								1
35	1	977770-1207F	GASKET, LIQUID	1								1

Remarks
(1) OPTIONAL PART.

OCD10-M98700 4TNV98-EPIKA
 Fig.19. LOOSE PART

OCD10-M98700 Fig.19



(A)=4TNV98-EPIKA
 (B)=
 (C)=

(D)=
 (E)=
 (F)=

No.	Lev.	Parts No.	Description	Q'ty					
				(A)	(B)	(C)	(D)	(E)	(F)
1	1	198461-52950	RELAY, CA TYPE C	3					
2	1	129927-77690	WASHER, ECU	3					
3	1	124732-77720	LAMP, CHARGING	1					
4	1	129938-77800	SENSOR ASSY, ACCEL	1					
5	2	194990-22130	NUT, M6	1					
6	2	119060-61990	SPRING, RETURN	1					
7	2	129054-77800	SENSOR ASSY, ACCEL	1					
8	3	185100-50070	BODY	1					
9	3	129054-77811	SUPPORT, SENSOR	1					
10	3	129054-77820	GASKET	1					
11	3	129054-77830	SHAFT ASSY	1					
12	3	24311-000070	O-RING, 1AP7.0	1					
13	3	26023-040202	SCREW, M4X20	2					
14	2	129938-77810	LEVER, SENSOR	1					
15	2	26106-060122	BOLT, M6X 12 PLATED	2					
16	1	129927-77900	RELAY, ISO 90A	1					
17	1	129927-77920	RELAY, ISO 70A	1					

Parts No. Index

Parts No.	Fig. No.	Ref. No.	Parts No.	Fig. No.	Ref. No.	Parts No.	Fig. No.	Ref. No.	Parts No.	Fig. No.	Ref. No.
105025-59750	14	7	119625-11880	18	12	123907-11601	13	25	129240-79300	16	20
114250-53080	13	2	119640-01640	3	9	123907-11820	4	21	129240-79310	16	22
114250-53120	13	6	119640-61400	4	61	123907-11830	4	20	129263-13210	6	4
114250-53130	13	7	119660-61300	12	19	123907-39500	9	16	129263-49750	14	17
114250-53140	13	8	119761-39450	9	13	123907-59540	14	14	129263-77941	11	122
114250-53210	13	9	119802-11870	4	25	123907-59550	14	15	129400-92450	18	34
114250-53400	13	13		18	11		18	33	129418-18320	6	3
114371-79070	15	30	119802-13680	6	6	123907-59560	14	20	129457-59010	14	4
119000-35140	9	3	119802-51680	11	63	124160-01751	2	24	129657-51590	11	58
119005-77050	5	9	119802-51690	11	64		4	50	129657-51600	11	59
119060-61990	19	6	119802-55710	14	25	124160-11340	4	16	129795-01900	16	1
119129-77020	5	7	119802-55730	14	26		18	10	129900-01200	1	27
	18	16	119802-55801	14	2	124160-11360	4	66	129900-01250	1	4
119129-77520	5	10	119803-11340	4	15	124450-44550	10	55	129900-01740	2	26
119130-44740	10	16		18	9	124450-44560	10	52	129900-01850	2	33
119130-44760	10	17	119852-51630	11	68	124465-44950	10	38	129900-01870	2	34
119131-18320	6	7	119852-51640	11	69		18	31	129900-02020	1	6
119131-77550	15	25	119852-51650	11	71	124722-59050	14	18	129900-02341	1	32
119160-12530	5	16	119934-59910	11	129	124732-77720	19	3	129900-02410	1	9
119160-12540	5	17	120130-22301	8	21	124766-59050	14	5	129900-02931	1	24
119160-12560	5	15	121236-77340	16	30			9	129900-02941	1	35
119160-12570	5	14	121254-77810	15	29	126650-12680	5	18	129900-13251	6	5
119225-52102	14	22	121256-44600	10	19	129001-91810	2	27		18	18
119578-91351	17	13	121450-42450	10	37			35	129900-14100	7	6
		22	121450-44531	10	51	129004-55612	14	1	129900-21200	8	3
119593-11301	4	30	121470-44581	10	53	129005-59830	9	18	129900-21600	8	14
119620-01750	3	4	121520-34810	9	1	129052-79270	16	17	129900-23001	8	23
119620-11180	4	14	121750-59890	14	12	129054-77800	19	7	129900-23200	8	26
119620-77380	16	3	121850-21130	8	11	129054-77811	19	9	129900-23601	8	27
119620-77421	16	6	121850-21290	8	4	129054-77820	19	10	129900-23611	8	30
119620-77440	16	11	121850-21920	8	5	129054-77830	19	11	129900-23911	8	29
119620-77461	16	12	121850-49540	10	25	129100-01580	2	1	129900-25100	7	10
119620-77471	16	13		18	26		3	1	129900-32001	2	4
119620-77490	16	14	121850-49550	10	26	129100-55690	14	24	129900-32030	2	16
119620-79200	16	7		18	27	129136-59110	14	10		9	5
119620-79210	16	8	121850-49810	10	27	129150-02450	7	4		18	3
119620-79220	16	9	121850-77021	5	8	129150-11230	4	38	129900-32040	2	17
119620-79230	16	10		18	17			42		18	4
119620-79250	16	5	123472-59120	13	26	129150-11750	4	19	129900-42020	10	11
119620-79260	16	16	123501-79240	16	4			39		18	25
119620-79290	16	18	123900-25060	7	9			43	129900-42461	10	14
119620-79300	16	19	123900-77510	15	21	129150-14200	7	1	129900-49870	10	32
119620-79310	16	21	123900-77520	15	22	129150-25920	7	13		18	29
119620-79320	16	23	123900-77540	15	24	129150-35153	9	4	129902-21000	8	1
119620-79330	16	24	123907-03100	4	55	129150-49360	10	40	129906-51580	11	56
119620-79340	16	25	123907-03110	4	56		18	32	129906-55700	14	23
119620-79350	16	26	123907-03120	4	57	129150-59120	13	27	129906-77300	16	29
119620-79360	16	27	123907-03140	4	58	129150-59131	13	30	129907-01331	1	28
119624-77351	16	31	123907-11280	4	35	129240-77200	16	2		18	2
119625-11880	4	26	123907-11550	4	3	129240-77710	16	15	129907-03011	4	52

Parts No. Index

Parts No.	Fig. No.	Ref. No.	Parts No.	Fig. No.	Ref. No.	Parts No.	Fig. No.	Ref. No.	Parts No.	Fig. No.	Ref. No.
129907-03061	4	53	129927-42000	10	1	129940-77250	15	17	22190-080002	18	24
129907-03070	4	54	129927-42140	2	17 A	129940-77260	15	18	22190-120002	10	29
129907-07900	4	1	129927-44900	10	21	129940-77270	15	19		11	98
129907-11100	4	11	129927-49610	10	41	129940-77280	15	20			105
129907-11110	4	12	129927-49620	10	45	129944-01500	2	3			130
129907-11120	4	13	129927-49800	10	20	129953-01620	3	2		18	28
129907-11250	4	32	129927-51250	11	136	129953-25300	7	15	22190-180002	11	99
129907-11260	4	33	129927-51390	11	20 A	129953-34830	9	2	22190-220002	3	11
129907-11270	4	34	129927-51650	11	120	129953-35000	9	6		18	8
129907-11341	4	31	129927-51660	11	121	129957-59120	14	6	22217-050000	11	131
129907-11510	4	17	129927-51670	11	124	129960-21640	8	9	22217-180000	7	18
129907-11650	4	36	129927-53200	13	10	129961-59110	14	11		11	106
129907-11660	4	40	129927-59550	14	16	129961-59310	14	8	22252-000300	8	22
129907-11800	4	24	129927-59810	13	32	144626-51090	11	9	22312-050140	11	107
129907-11910	4	27	129927-59820	13	33	158552-51570	11	54	22351-050010	11	108
129907-11920	4	44	129927-59830	13	34	158552-51580	11	57	22351-060012	1	10
129907-11950	4	28	129927-59840	13	35	158552-51670	11	125	22512-070140	7	7
129907-12110	5	1	129927-75900	17	19	158552-51781	11	96		8	6
	18	15	129927-77600	17	11	158552-52100	11	127	22857-500100	4	63
129907-13500	6	19			20	158552-52310	11	102			64
129907-14400	7	2	129927-77680	17	12	158552-52400	11	103	22877-500080	17	14
129907-21650	8	8			21	158552-52500	11	128			23
129907-25900	7	16	129927-77690	19	2	158553-51670	11	62	23065-070225	10	54
129907-51560	11	53	129927-77900	19	16	158553-51680	11	74	23080-012000	10	44
129907-59140	14	13	129927-77920	19	17	158553-61780	12	23			48
129908-14581	7	3	129930-13201	6	18	158557-51570	11	55	23414-080000	10	33
129916-01710	3	8			25	158557-61720	12	22		18	30
129916-01790	3	7			18	158563-51150	7	17	23414-120000	12	24
129916-01800	2	32	129933-11310	4	60		11	12	23857-030000	9	20
129916-21590	8	12			18	158563-51281	11	19	23875-030000	10	30
129916-21610	8	7	129938-13660	6	26			20	23876-020000	4	8
129916-49530	10	23	129938-77800	19	4	158563-51330	11	30	23876-030000	1	11
129927-11320	4	51	129938-77810	19	14	158600-51270	11	18			12
129927-11700	4	4	129939-07900	4	75	158601-51550	11	52			13
129927-12100	5	3	129939-12520	5	13	158601-51650	11	123			9
129927-12150	5	2	129939-75030	17	1	158601-51770	11	95	23887-120002	4	100
129927-13100	6	2	129940-77010	15	1	158601-51790	11	97		12	25
129927-13150	6	1	129940-77100	15	2	171031-11741	2	38	24311-000070	2	18
129927-13550	6	20	129940-77130	15	5	171051-01921	1	5		11	109
129927-13800	6	9	129940-77140	15	6	171056-49120	10	36		18	5
129927-13810	6	10	129940-77150	15	7	171056-49351	10	39		19	12
	18	20	129940-77160	15	8	171064-44510	10	49	24311-000120	4	29
129927-13900	6	13	129940-77170	15	9	175339-79700	4	62			67
129927-13910	6	14	129940-77180	15	10	185100-50070	19	8		18	13
	18	21	129940-77190	15	11	194990-22130	19	5	24311-000160	14	27
129927-13920	6	15	129940-77200	15	12	198461-52950	19	1	24311-000320	2	25
	18	22	129940-77210	15	13	22190-080002	9	19			39
129927-22050	8	17	129940-77220	15	14			21			68
129927-22080	8	15	129940-77230	15	15			23			7
129927-39060	9	14	129940-77240	15	16			21	24321-000650	14	28

Parts No. Index

Parts No.	Fig. No.	Ref. No.
24341-000480	12	26
24341-000530	8	10
	18	23
24351-030750	2	19
	18	6
24356-010200	11	65
		110
24356-020210	11	111
24372-000150	11	66
25152-004150	10	15
26014-080252	16	35
26023-040202	19	13
26106-060102	11	112
26106-060122	4	65
	11	132
	19	15
26106-060202	10	31
26106-060252	12	27
26106-060302	10	12
26106-060352	11	113
26106-080122	3	12
	9	11
		22
		24
	10	34
26106-080162	2	20
		28
		36
	4	2
	7	8
	9	12
26106-080202	2	21
	6	21
	11	137
26106-080252	12	28
26106-080302	10	18
	11	138
	14	3
26106-080402	2	29
		37
	4	46
	5	11
26106-080452	2	22
	5	5
26106-080552	7	14
	10	13
	16	36
26106-080602	4	47
		48
	10	35

Parts No.	Fig. No.	Ref. No.
26106-080802	5	6
26106-080902	5	12
26106-081004	16	33
26106-100302	6	11
		16
26106-100952	6	17
26116-120252	15	31
26206-100352	3	5
26206-100702	3	6
26216-060202	5	4
26216-080402	6	22
26216-100302	2	15
26226-080222	4	45
26306-080002	4	49
	6	8
		12
		23
		24
	16	34
26306-100002	2	23
	16	28
26366-060002	13	36
26450-100452	11	116
26716-050002	11	133
26776-180002	7	19
	11	117
27241-160000	11	134
27241-300000	1	14
27241-400000	4	10
27310-070001	4	22
729900-02801	1	29
729906-01550	2	30
729927-01560	1	1
729927-22900	8	32
729927-22950	8	34
729927-53200	13	1
729927-92620	18	1
729939-51310	11	1
977770-1207F	18	35
X2240610100	15	23

Parts No.	Fig. No.	Ref. No.
-----------	----------	----------

Parts No.	Fig. No.	Ref. No.
-----------	----------	----------