

0CW10-M34700EN

PREFACE

1. This parts catalog is the 1st edition of 4TNV98-ENLANA for Argo Tractors Spa

Pub.No. : 000Y00W3470

Published : April,2008

Directions for the Parts Catalog.

- 1.The parts stipulated in this Parts Catalog are not necessarily standard equipped parts.
- 2.Parts may change without prior notice.
- 3.The following is an example of the Parts Catalog format.

REF.	LEV.	PARTSNo.	DESCRIPTION	QTY						I	R
				(A)	(B)	(C)	(D)	(E)	(F)		
1		729595-51390	FUEL INJECTION PUMP	1	1	1	1	1			
1-1	1	729595-51391	FUEL INJECTION PUMP	1	1	1	1	1		N	1
		(A=E00185) (B=E00200)									
3	2	26022-060162	SCREW M 6X16	9	9	9	9	9			
3-1	2	26022-060162	SCREW M 6X16	4	4	4	4	4			K
		(A=E00156) (B=E00156) (C=E00156) (D=E00156) (E=E00156)									
4	2	129470-51040	GAMSHIFT	9	9	9	9	9			
5	2	122710-51050	BEARING, ROLLER	9	9	9	9	9			
6	2	129470-51060	RETAINER	9	9	9	9	9			

Remarks	
(1)	BOOST COMPEMSATOR TYPE. OPTIONAL PART. TO E#00155 (4JH-DT, 4JH-DTZ)

①Ref. No.

The Ref. No. listed may not be in accordance with the illustration Ref. No.

(Ex.) Illustration No. List Ref No.

1 1 (Before change) → 1-1 (After change)

For interchangeable symbols N, R and K, illustrations for new parts may be abbreviated.

②Lev. (Level)

Level indication

The numbers below indicate the level of relativity towards the main part.

- 1 ---- Main parts (Assembly parts)
- 2 ---- Sub component included in " 1 "
- 3 ---- Sub component included in " 2 "

Note) Parts that are not for sale are partially illustrated but not listed.

③Change Mark

The "I" indicates parts that were newly changed.

④Interchangeability Mark

When a part change takes place, one of the following interchangeability symbols is indicated beside the part.

Symbol	Interchangeability	Contents note
N	Old ← ⊗ → New	New Part is interchangeable for Old Part but Old Part is not interchangeable for New Part.
Q	Old ← ⊗ ⊗ → New	New Part is not interchangeable for Old Part but Old Part is interchangeable for New Part.
R	Old ← ⊗ ⊗ → New	New/ Old Parts are both interchangeable.
S	Old ← ⊗ ⊗ ⊗ → New	New/ Old Parts are both not interchangeable.
W		Part newly added.
Z		Part discontinued.
F		Not interchangeable by a single part but interchangeable together with related parts.
K		Changes only for used parts quantities.

⑤Effective Machine No.

When a part changes, the effective Machine No. will be indicated in the (A)-(F) column.

Product Symbol	Product No.	Product Symbol	Product No.
C	Clutch No. Compressor No.	M	Machine No.
D	Drive No.	T	Tractor No.
E	Engine No.	Note 1)※	Date

Note 1) A date may follow the symbol. (Ex.) ※1996.01

Note 2) " XXX " are for parts that could not be predicted or for engine models that could not be identified.

Note 3) (A=E/#00185) is the E/# (Engine Serial Number) for the column (A) model (in this case 4JH-DT) after the parts design change.

⑥Remarks Mark

Figures or alphabets (symbols) are entered in the remarks column.

The comments (remarks) on parts that are indicated at the bottom of the illustration are the same symbols as those stated above.

Contents

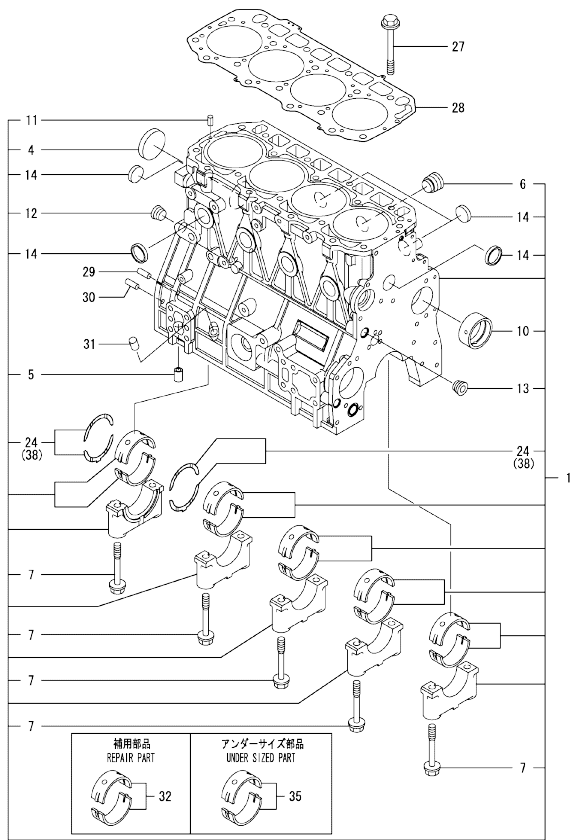
0CW10-M34700

Fig. No.	Fig. Name	Fig. No.	Fig. Name
4TNV98-ENLANA			
1.	CYLINDER BLOCK		
2.	GEAR HOUSING		
3.	MOUNTING FLANGE & OIL SUMP		
4.	CYLINDER HEAD & BONNET		
5.	SUCTION MANIFOLD		
6.	EXHAUST MANIFOLD		
7.	CAMSHAFT & DRIVING GEAR		
8.	CRANKSHAFT & PISTON		
9.	BALANCER		
10.	LUB.OIL SYSTEM		
11.	COOLING WATER SYSTEM		
12.	FUEL INJECTION PUMP		
13.	GOVERNOR		
14.	FUEL INJECTION VALVE		
15.	FUEL LINE		
16.	STARTING MOTOR		
17.	GENERATOR		
18.	ELECTRONIC CONTROL UNIT (ECU)		
19.	GASKET SET		
20.	LOOSE PART		

Fig.1. CYLINDER BLOCK

(A)=4TNV98-ENLAN
(B)=
(C)=

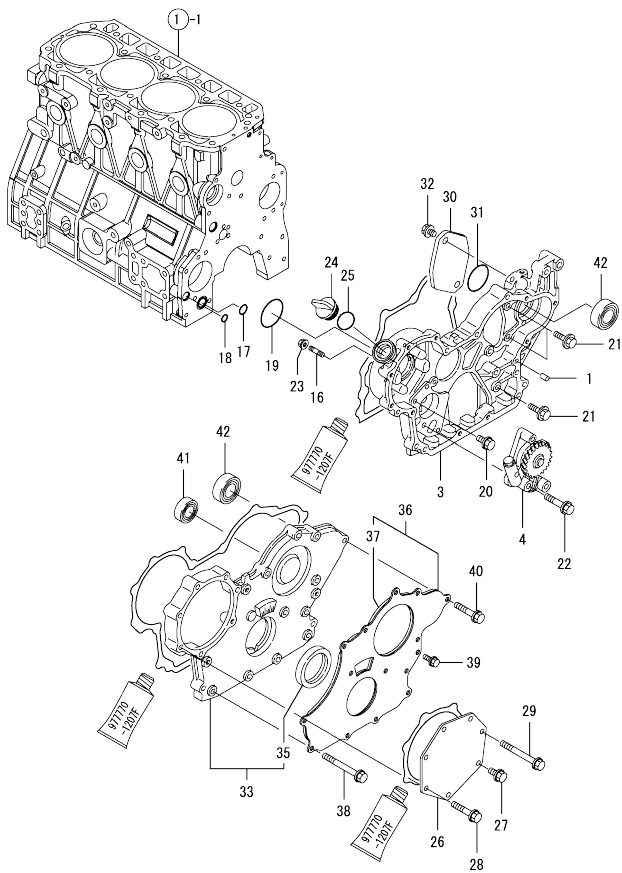
(D)=
(E)=
(F)=



No.	Lev.	Parts No.	Description	Q'ty						I	R
				(A)	(B)	(C)	(D)	(E)	(F)		
1	1	729968-01560	BLOCK ASSY, CYLINDER	1							
4	2	129900-01250	PLUG, 55	1							
5	2	129956-01710	PIPE, KNOCK L=25	1							
6	2	171051-01921	PLUG, NPTF1	1							
7	2	129900-02020	BOLT, METAL CAP	10							
10	2	129900-02410	BUSH, CAMSHAFT	1							
11	2	22351-060012	PIN, SPRING 6.0X12	2							
12	2	23876-030000	PLUG, R03	1							
13	2	23876-030000	PLUG, R03	1							
14	2	27241-300000	PLUG 30	8							
24	2	129900-02931	BEARING, THRUST	2							
27	1	129900-01200	BOLT, HEAD	18							
28	1	129907-01331	GASKET, HEAD	1							
29	1	129100-01580	PIN, M8X16	2							
30	1	129100-01580	PIN, M8X16	2							
31	1	119309-01810	PLUG	1							
32	1	729900-02801	BEARING, MAIN	5							1
35	1	129900-02341	BEARING, 0.25 US	5							2
38	1	129900-02941	BEARING, THRUST 0.25	2							3

Remarks
(1) REPAIR PART.
(2) UNDER-SIZED(U.S=0.25)PART.
(3) OVER-SIZED(O.S=0.25)PART.

0CW10-M34700 4TNV98-ENLANA
 Fig.2. GEAR HOUSING



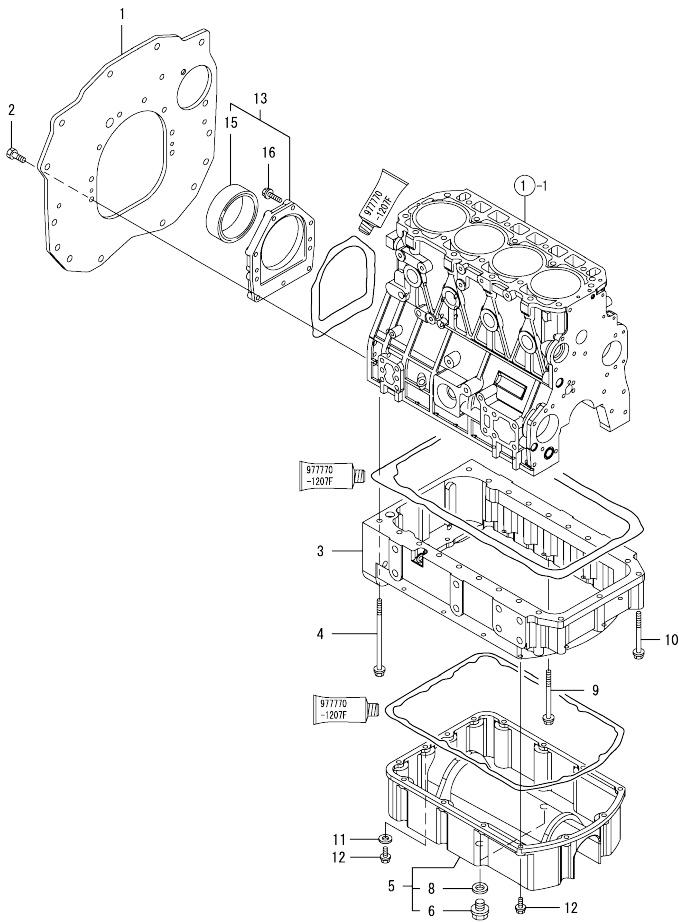
0CW10-M34700 Fig.2

(A)=4TNV98-ENLAN
 (B)=
 (C)=

(D)=
 (E)=
 (F)=

No.	Lev.	Parts No.	Description	Qty						I	R
				(A)	(B)	(C)	(D)	(E)	(F)		
1	1	129100-01580	PIN, M8X16	4							
3	1	129963-01500	CASE, GEAR	1							
4	1	129956-32001	PUMP ASSY, OIL	1							
16	1	26216-100302	STUD, M10X 30	4							
17	1	129900-32030	O-RING, P20	1							
18	1	129900-32040	O-RING, P14	1							
19	1	24351-030750	O-RING, 1A3075	1							
20	1	26106-080162	BOLT, M8X 16 PLATED	1							
21	1	26106-080202	BOLT, M8X 20 PLATED	3							
22	1	26106-080452	BOLT, M8X 45 PLATED	3							
23	1	26306-100002	NUT, M10	4							
24	1	124160-01751	COVER, FILLER	1							
25	1	24311-000320	O-RING, 1AP32.0	1							
26	1	129951-01740	COVER	1							
27	1	26106-080202	BOLT, M8X 20 PLATED	1							
28	1	26106-080452	BOLT, M8X 45 PLATED	5							
29	1	26106-080752	BOLT, M8X 75 PLATED	1							
30	1	129930-01870	COVER	1							
31	1	24321-000850	O-RING, 1AG85.0	1							
32	1	26106-100202	BOLT, M10X 20 PLATED	2							
33	1	729906-01550	COVER ASSY,GEAR CASE	1							
35	2	129916-01800	SEAL, OIL	1							
36	1	129900-01850	COVER ASSY,GEAR CASE	1							
37	2	129900-01870	SPONGE	1							
38	1	129001-91810	BOLT, M8X70	6							
39	1	26106-080162	BOLT, M8X 16 PLATED	3							
40	1	26106-080402	BOLT, M8X 40 PLATED	5							
41	1	129900-14140	BEARING, BALL 6205	1							
42	1	129900-26250	BEARING, BALL 6206C3	2							

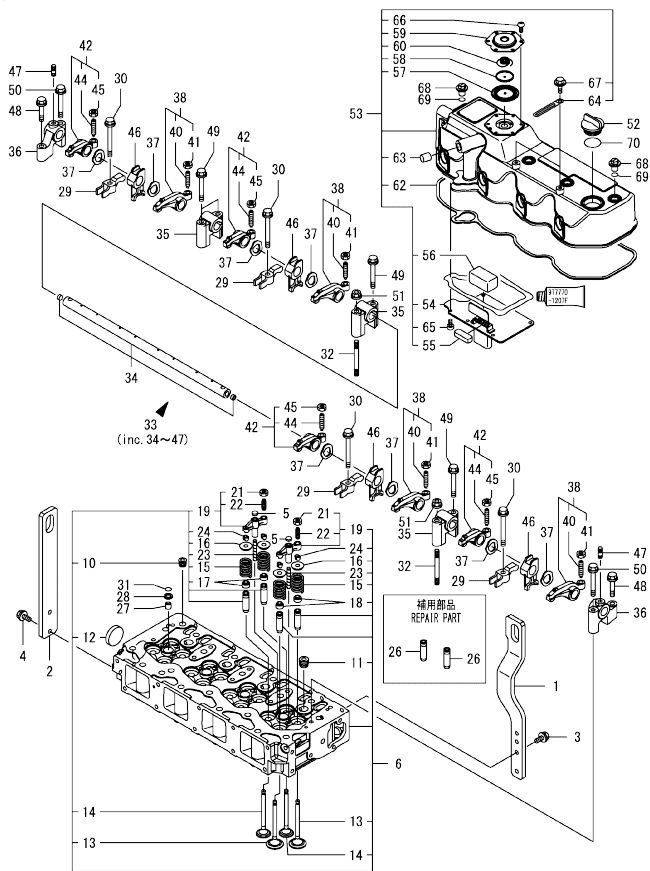
Fig.3. MOUNTING FLANGE & OIL SUMP



No.	Lev.	Parts No.	Description	Q'ty						I	R
				(A)	(B)	(C)	(D)	(E)	(F)		
1	1	129968-01600	FLANGE, MOUNTING	1							
2	1	26116-100202	BOLT, M10X 20 PLATED	9							
3	1	129956-01730	SUMP, OIL	1							
4	1	129972-01731	BOLT, M8X150	2							
5	1	129956-01760	COVER ASSY, OIL SUMP	1							
6	2	105425-01690	PLUG, 16	2							
8	2	22190-160002	WASHER, SEAL 16	2							
9	1	129693-44310	BOLT	16							
10	1	129001-91841	BOLT, M8X85	3							
11	1	22190-080002	WASHER, SEAL 6	2							
12	1	26106-080252	BOLT, M8X 25 PLATED	14							
13	1	129956-01640	CASE ASSY, OIL SEAL	1							
15	2	124411-01780	SEAL, HTC95X115X12	1							
16	1	26106-080302	BOLT, M8X 30 PLATED	9							

N:Old $\frac{100}{100}$ New, Q:Old $\frac{100}{100}$ New, R:Old $\frac{100}{100}$ New, S:Old $\frac{100}{100}$ New, W:Add, Z:Discontinued, F:Interchangeable by set, K:Q'ty Change
 Copyright (C) YANMAR GLOBAL CS CO., LTD. All Rights Reserved.

Fig.4. CYLINDER HEAD & BONNET



(A)=4TNV98-ENLAN
(B)=
(C)=

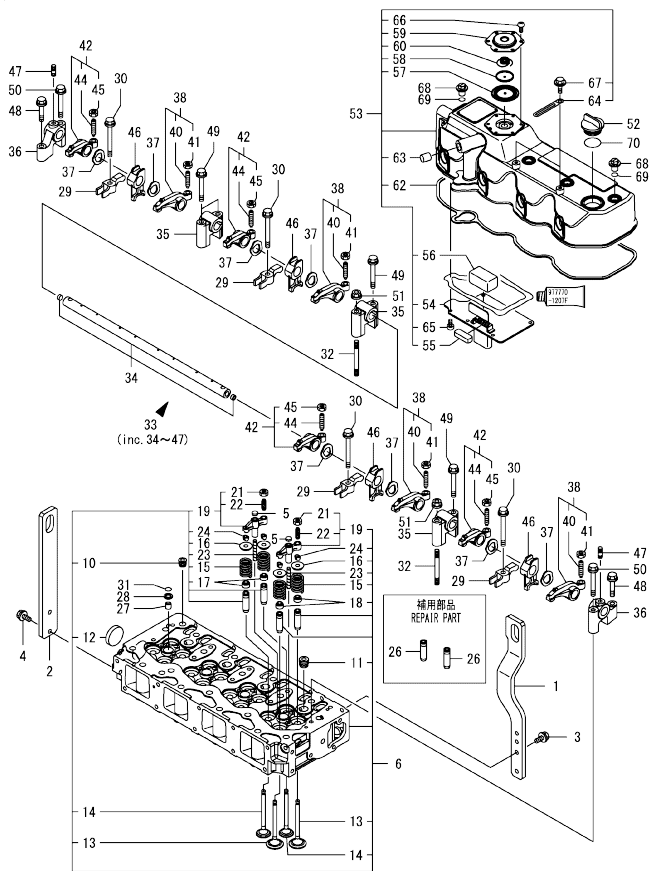
(D)=
(E)=
(F)=

No.	Lev.	Parts No.	Description	Q'ty						I	R
				(A)	(B)	(C)	(D)	(E)	(F)		
1	1	129973-07901	LIFTER	1							
2	1	129973-07910	LIFTER	1							
3	1	26106-080202	BOLT, M8X 20 PLATED	2							
4	1	26106-080202	BOLT, M8X 20 PLATED	2							
5	1	123907-11550	SEAT, VALVE BRIDGE	8							
6	1	129927-11700	HEAD ASSY, CYLINDER	1							
10	2	23876-020000	PLUG, R02	1							
11	2	23876-030000	PLUG, R03	4							
12	2	27241-400000	PLUG, 40	1							
13	2	129907-11100	VALVE, INTAKE	8							
14	2	129907-11110	VALVE, EXHAUST	8							
15	2	129907-11120	SPRING, VALVE	16							
16	2	119620-11180	RETAINER, SPRING	16							
17	2	119803-11340	SEAL, VALVE STEM	8							
18	2	124160-11340	SEAL, VALVE STEM	8							
19	2	129907-11510	BRIDGE ASSY, VALVE	8							
21	3	129150-11750	NUT, M8	8							
22	3	123907-11830	ADJUSTER	8							
23	2	123907-11820	GUIDE	8							
24	2	27310-070001	COTTER, 7	16							
26	1	129907-11800	GUIDE, VALVE	16							1
27	1	119802-11870	PROTECTOR, NOZZLE	4							
28	1	119625-11880	SEAT, NOZZLE	4							
29	1	129907-11910	RETAINER, NOZZLE	4							
30	1	129907-11950	BOLT, M8X75	4							
31	1	24311-000120	O-RING, 1AP12.0	4							
32	1	119593-11301	STUD, M8X80	2							
33	1	129907-11341	SHAFT ASSY, ROCKER	1							
34	2	129907-11250	SHAFT, ROCKER ARM	1							
35	2	129907-11260	SUPPORT, ROCKER ARM	3							
36	2	129907-11270	SUPPORT, ROCKER ARM	2							
37	2	123907-11280	WASHER	8							
38	2	129907-11650	ARM, ROCKER	4							
40	3	129150-11230	SCREW, VALVE ADJUST	4							
41	3	129150-11750	NUT, M8	4							
42	2	129907-11660	ARM, ROCKER	4							
44	3	129150-11230	SCREW, VALVE ADJUST	4							
45	3	129150-11750	NUT, M8	4							
46	2	129907-11920	RETAINER	4							
47	2	26226-080222	STUD, M8X 22	2							
48	1	26106-080402	BOLT, M8X 40 PLATED	2							
49	1	26106-080602	BOLT, M8X 60 PLATED	4							
50	1	26106-080602	BOLT, M8X 60 PLATED	2							
51	1	26306-080002	NUT, M8	2							
52	1	124160-01751	COVER, FILLER	1							
53	1	129927-11320	BONNET ASSY, HEAD	1							
54	2	129907-03011	PLATE	1							
55	2	129907-03061	BAFFLE, BREATHER	1							
56	2	129907-03070	BAFFLE, BREATHER	1							
57	2	123907-03100	DIAPHRAGM	1							
58	2	123907-03110	PLATE	1							

Remarks
(1) REPAIR PART.

N:Old $\frac{100}{100}$ New, Q:Old $\frac{100}{100}$ New, R:Old $\frac{100}{100}$ New, S:Old $\frac{100}{100}$ New, W:Add, Z:Discontinued, F:Interchangeable by set, K:Q'ty Change
 ++ CONTINUE ++
 Copyright (C) YANMAR GLOBAL CS CO., LTD. All Rights Reserved.

Fig.4. CYLINDER HEAD & BONNET



(A)=4TNV98-ENLAN
(B)=
(C)=

(D)=
(E)=
(F)=

No.	Lev.	Parts No.	Description	Q'ty						I	R
				(A)	(B)	(C)	(D)	(E)	(F)		
59	2	123907-03120	PLATE, BREATHER	1							
60	2	123907-03140	SPRING, DIAPHRAGM	1							
62	2	129933-11310	GASKET, BONNET	1							
63	2	119640-61400	PLUG	1							
64	2	175339-79700	CLIP	2							
65	2	22857-500100	SCREW, 5X10	6							
66	2	22857-500100	SCREW, 5X10	6							
67	2	26106-060122	BOLT, M6X 12 PLATED	2							
68	1	124160-11360	KNOB	4							
69	1	24311-000120	O-RING, 1AP12.0	4							
70	1	24311-000320	O-RING, 1AP32.0	1							

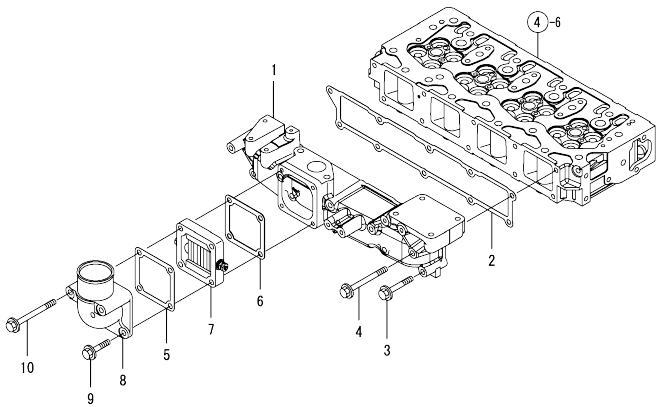
Remarks
(1) REPAIR PART.

N:Old $\frac{100}{100}$ New, Q:Old $\frac{100}{100}$ New, R:Old $\frac{100}{100}$ New, S:Old $\frac{100}{100}$ New, W:Add, Z:Discontinued, F:Interchangeable by set, K:Q'ty Change
Copyright (C) YANMAR GLOBAL CS CO., LTD. All Rights Reserved.

0CW10-M34700 4TNV98-ENLANA

Fig.5. SUCTION MANIFOLD

0CW10-M34700 Fig.5

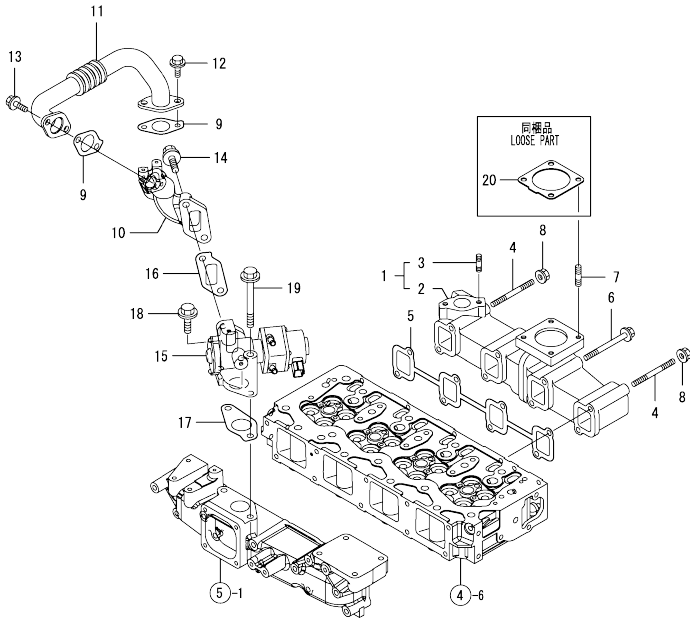


(A)=4TNV98-ENLAN
(B)=
(C)=

(D)=
(E)=
(F)=

No.	Lev.	Parts No.	Description	Q'ty					
				(A)	(B)	(C)	(D)	(E)	(F)
1	1	129968-12100	MANIFOLD, AIR INTAKE	1					
2	1	129907-12110	GASKET, MANIFOLD	1					
3	1	26106-080552	BOLT, M8X 55 PLATED	5					
4	1	26106-080852	BOLT, M8X 85 PLATED	5					
5	1	119129-77020	GASKET	1					
6	1	121850-77021	GASKET	1					
7	1	119005-77051	HEATER	1					
8	1	119129-77520	BEND	1					
9	1	26106-080402	BOLT, M8X 40 PLATED	2					
10	1	26106-080902	BOLT, M8X 90 PLATED	2					

Fig.6. EXHAUST MANIFOLD

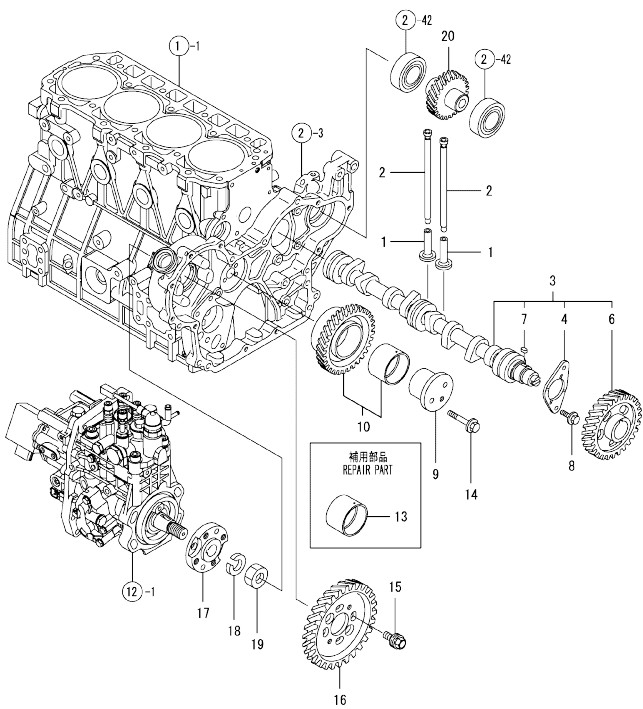


(A)=4TNV98-ENLAN
(B)=
(C)=

(D)=
(E)=
(F)=

No.	Lev.	Parts No.	Description	Q'ty						I	R
				(A)	(B)	(C)	(D)	(E)	(F)		
1	1	129968-13150	MANIFOLD ASSY	1							
2	2	129968-13100	MANIFOLD, EXHAUST	1							
3	2	129418-18320	STUD, M8X20	2							
4	1	129263-13210	STUD, M8X90	2							
5	1	129900-13251	GASKET	1							
6	1	119802-13680	BOLT, M8X90 10.9T	6							
7	1	119131-18320	STUD, M8X22	4							
8	1	26306-080002	NUT, M8	2							
9	1	129927-13810	GASKET	2							
10	1	129973-13840	PIPE	1							
11	1	129968-13850	PIPE ASSY	1							
12	1	26106-080162	BOLT, M8X 16 PLATED	2							
13	1	26106-080162	BOLT, M8X 16 PLATED	2							
14	1	26106-100302	BOLT, M10X 30 PLATED	2							
15	1	129927-13900	VALVE	1							
16	1	129927-13910	GASKET	1							
17	1	129927-13920	GASKET	1							
18	1	26106-100302	BOLT, M10X 30 PLATED	1							
19	1	26106-100952	BOLT, M10X 95 PLATED	1							
20	1	129930-13201	GASKET, SILENCER	1							

Fig.7. CAMSHAFT & DRIVING GEAR



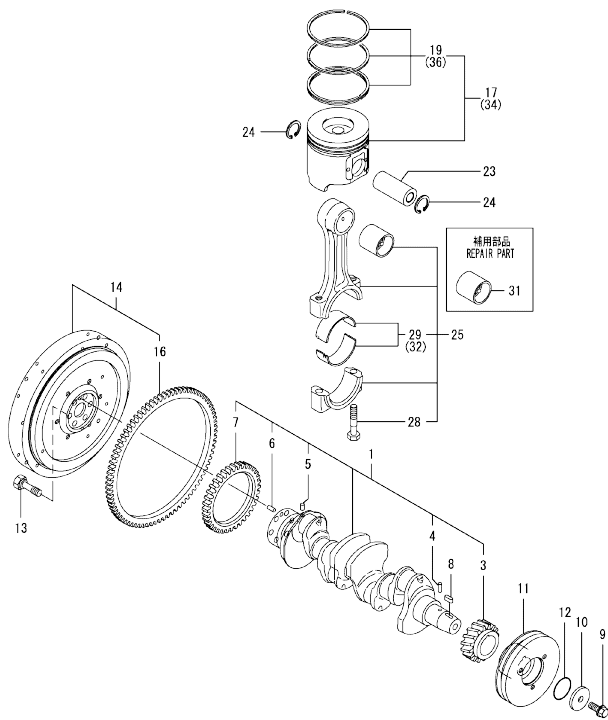
(A)=4TNV98-ENLAN
(B)=
(C)=

(D)=
(E)=
(F)=

No.	Lev.	Parts No.	Description	Q'ty						I	R
				(A)	(B)	(C)	(D)	(E)	(F)		
1	1	129150-14200	TAPPET	8							
2	1	129907-14400	ROD, PUSH	8							
3	1	129908-14590	CAMSHAFT ASSY	1							
4	2	129150-02450	BEARING, THRUST	1							
6	2	129900-14110	GEAR, CAMSHAFT	1							
7	2	22512-070140	KEY, 7X 14	1							
8	1	26106-080162	BOLT, M8X 16 PLATED	2							
9	1	123900-25060	SHAFT, IDLE GEAR	1							
10	1	129900-25110	GEAR ASSY, IDLE	1							
13	1	129150-25920	BUSH, IDLE GEAR	1							1
14	1	26106-080552	BOLT, M8X 55 PLATED	3							
15	1	129953-25300	BOLT	4							
16	1	129907-25900	GEAR, PUMP	1							
17	1	158563-51150	FLANGE	1							
18	1	22217-180000	WASHER, SPRING 18	1							
19	1	26776-180002	NUT, LOCK M18	1							
20	1	129900-26030	GEAR ASSY, PUMP	1							

Remarks
(1) REPAIR PART.

Fig.8. CRANKSHAFT & PISTON



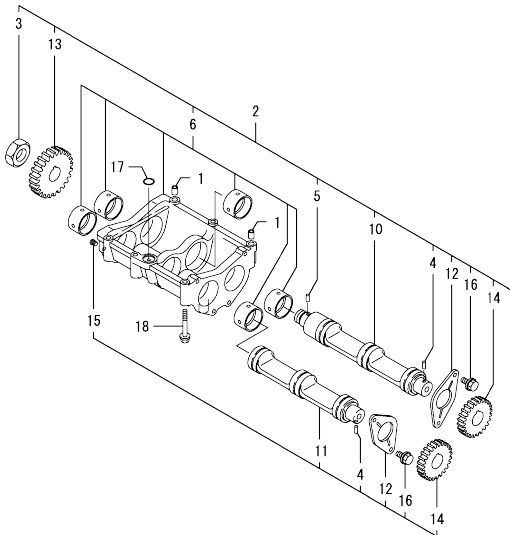
(A)=4TNV98-ENLAN
(B)=
(C)=

(D)=
(E)=
(F)=

No.	Lev.	Parts No.	Description	Q'ty						I	R
				(A)	(B)	(C)	(D)	(E)	(F)		
1	1	129942-21000	CRANKSHAFT ASSY	1							
3	2	129900-21220	GEAR, CRANKSHAFT	1							
4	2	121850-21290	PIN	1							
5	2	121850-21290	PIN	1							
6	2	121850-21920	PIN, M10X22	1							
7	2	129956-28321	GEAR, BALANCER	1							
8	1	22512-070140	KEY, 7X 14	1							
9	1	129916-21610	BOLT	1							
10	1	129960-21640	WASHER	1							
11	1	129968-21650	V-PULLEY, 155	1							
12	1	24341-000530	O-RING, 1AS53.0	1							
13	1	121850-21130	BOLT, FLYWHEEL	6							
14	1	129968-21590	FLYWHEEL ASSY	1							
16	2	129900-21600	GEAR, RING	1							
17	1	129968-22080	PISTON ASSY	4							
19	2	129927-22050	RING SET, PISTON	4							
23	1	120130-22301	PIN, PISTON	4							
24	1	22252-000300	RING, 30	8							
25	1	129900-23001	ROD ASSY, CONNECTING	4							
28	2	129900-23200	BOLT, CONNECTING ROD	8							
29	2	129900-23601	BEARING, CRANK PIN	4							
31	1	129900-23911	BEARING, PISTON PIN	4							1
32	1	129900-23611	BEARING, 0.25 US	4							2
34	1	729968-22900	PISTON ASSY, 0.25 OS	4							3
36	2	729927-22950	RING SET, 0.25 OS	4							3

Remarks
(1) REPAIR PART.
(2) UNDER-SIZED(U.S=0.25)PART.
(3) OVER-SIZED(O.S=0.25)PART.

Fig.9. BALANCER

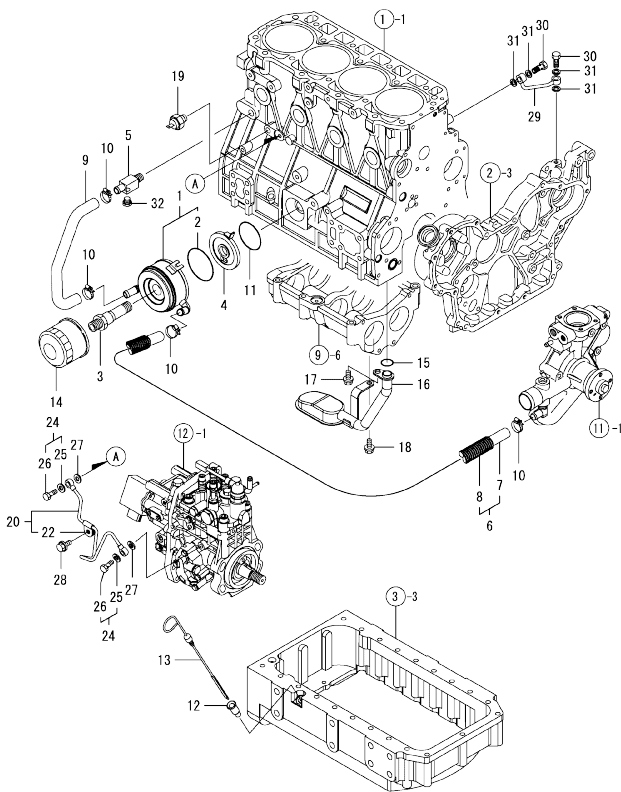


(A)=4TNV98-ENLAN
(B)=
(C)=

(D)=
(E)=
(F)=

No.	Lev.	Parts No.	Description	Q'ty						I	R
				(A)	(B)	(C)	(D)	(E)	(F)		
1	1	129795-01960	PIPE, KNOCK	2							
2	1	129956-28009	BALANCER ASSY	1							
3	2	128610-14120	NUT, END	1							
4	2	121850-21290	PIN	2							
5	2	121850-21290	PIN	1							
6	2	129956-28019	CASE ASSY, BALANCER	1							
10	2	129956-28101	SHAFT, BALANCER	1							
11	2	129956-28111	SHAFT, BALANCER	1							
12	2	129956-28180	PLATE, THRUST	2							
13	2	129956-28332	GEAR, BALANCER	1							
14	2	129956-28341	GEAR, BALANCER	2							
15	2	23876-005000	PLUG, R005	1							
16	2	26106-080162	BOLT, M8X 16 PLATED	4							
17	1	24311-000200	O-RING, 1AP20.0	1							
18	1	26106-080602	BOLT, M8X 60 PLATED	6							

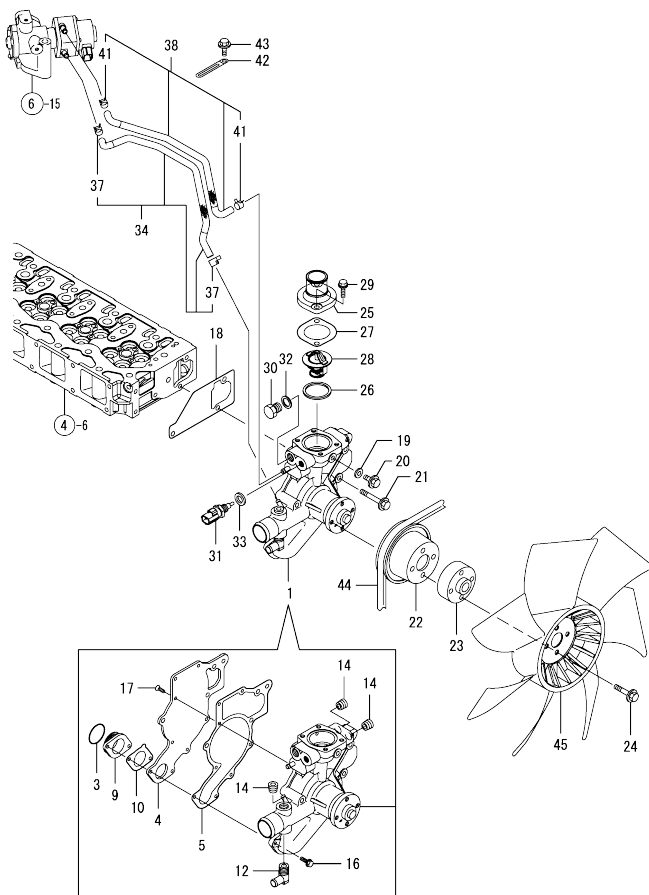
Fig.10. LUB.OIL SYSTEM



No.	Lev.	Parts No.	Description	Q'ty						I	R
				(A)	(B)	(C)	(D)	(E)	(F)		
1	1	129908-33010	COOLER ASSY, OIL	1							
2	2	123912-33050	O-RING	1							
3	1	123912-33100	BOLT, COOLER	1							
4	1	129908-33101	BRACKET, COOLER	1							
5	1	129006-44480	JOINT	1							
6	1	129403-49060	PIPE ASSY, WATER	1							
7	2	129403-49050	PIPE, WATER	1							
8	2	129956-49230	TUBE, CORRUGATED	1							
9	1	129908-49060	PIPE, WATER	1							
10	1	23000-025000	CLAMP, 25	4							
11	1	24321-000600	O-RING, 1AG60.0	1							
12	1	119860-34810	GUIDE, DIPSTICK	1							
13	1	129956-34820	DIPSTICK, OIL	1							
14	1	129150-35153	FILTER 80X80L	1							1
15	1	129900-32030	O-RING, P20	1							
16	1	129956-35100	PIPE ASSY, OIL INLET	1							
17	1	26106-080142	BOLT, M8X 14 PLATED	1							
18	1	26106-080202	BOLT, M8X 20 PLATED	1							
19	1	119761-39450	SWITCH, 0.5KG	1							
20	1	129927-39060	PIPE ASSY, OIL	1							
22	2	123907-39500	RETAINER	1							
24	1	129005-59830	BOLT ASSY, JOINT M8	2							
25	2	22190-080002	WASHER, SEAL 6	2							
26	2	23857-030000	BOLT, JOINT 3	2							
27	1	22190-080002	WASHER, SEAL 6	2							
28	1	26106-080122	BOLT, M8X 12 PLATED	1							
29	1	129930-39050	PIPE, OIL	1							
30	1	105010-39140	BOLT, PIPE JOINT	2							
31	1	22190-080002	WASHER, SEAL 6	4							
32	1	171056-49120	PLUG, DRAIN	1							

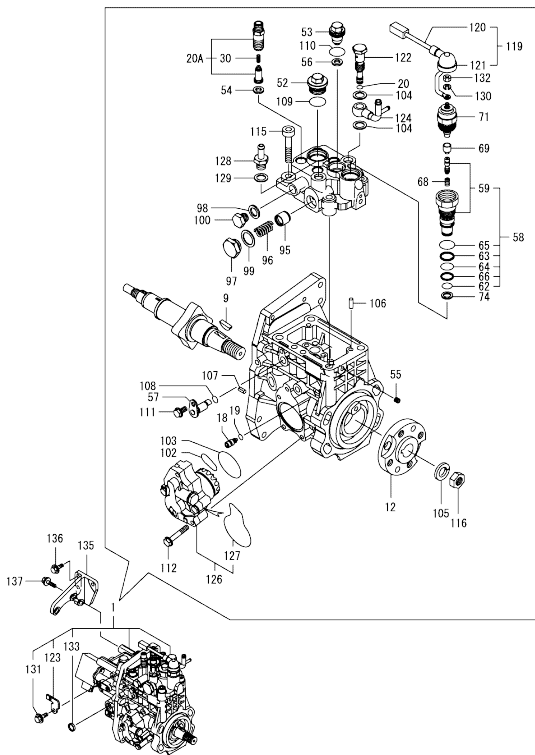
Remarks
(1) REPAIR PART.

Fig.11. COOLING WATER SYSTEM



No.	Lev.	Parts No.	Description	Qty						I	R
				(A)	(B)	(C)	(D)	(E)	(F)		
1	1	129968-42010	PUMP ASSY, WATER	1							
3	2	129900-42140	O-RING, F36	1							
4	2	129917-42160	COVER	1							
5	2	129917-42170	GASKET	1							
9	2	129917-42300	FLANGE	1							
10	2	129917-42310	GASKET	1							
12	2	119852-49300	ELBOW, R3/8	1							
14	2	129916-49740	PLUG, R03	3							
16	2	26106-060202	BOLT, M6X 20 PLATED	2							
17	2	26577-060142	SCREW M 6X 14	6							
18	1	129900-42061	GASKET, WATER PUMP	1							
19	1	23414-080000	GASKET, 8X1.0	1							
20	1	26106-080122	BOLT, M8X 12 PLATED	1							
21	1	26106-080552	BOLT, M8X 55 PLATED	3							
22	1	129930-42450	V-PULLEY	1							
23	1	129935-44710	SPACER, FAN	1							
24	1	26106-080402	BOLT, M8X 40 PLATED	4							
25	1	129981-49531	COVER, THERMOSTAT	1							
26	1	121850-49550	GASKET, THERMOSTAT	1							
27	1	129900-49560	GASKET	1							
28	1	121850-49800	THERMOSTAT, 82	1							
29	1	26106-080252	BOLT, M8X 25 PLATED	2							
30	1	121450-42450	PLUG, M16	1							
31	1	129927-44900	SENSOR	1							
32	1	124465-44950	GASKET, 16	1							
33	1	22190-120002	WASHER, SEAL 12	1							
34	1	129968-49630	PIPE, WATER	1							
37	2	23080-012000	CLAMP, 12	2							
38	1	129968-49640	PIPE, WATER	1							
41	2	23080-012000	CLAMP, 12	2							
42	1	175339-79700	CLIP	1							
43	1	26106-060122	BOLT, M6X 12 PLATED	1							
44	1	129953-42290	V-BELT, A45	1							
45	1	129907-44740	FAN, COOLING D430X7	1							

Fig.12. FUEL INJECTION PUMP



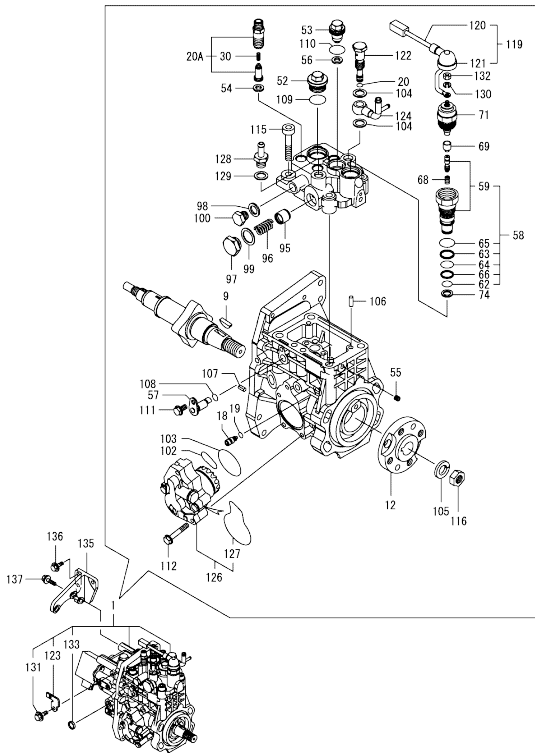
Remarks

(1) GOVERNOR ASSY (FIG.13) IS INCORPORATED IN THIS FUEL INJECTION PUMP (REF.NO.1).
 * ECO PUMP
 MAKE SURE TO UPDATE THE ENGINES ECU INFORMATION WHEN REPLACING THE ECO PUMP.
 FAILING TO DO SO WILL RESULT IN ENGINE MALFUNCTION.

No.	Lev.	Parts No.	Description	Q'ty						I	R
				(A)	(B)	(C)	(D)	(E)	(F)		
1	1	729968-51320	PUMP ASSY, INJECTION	1							1
9	2	144626-51090	FEATHER KEY, 5X19	1							
12	2	158563-51150	FLANGE	1							
18	2	158600-51270	STOPPER, TAPPET	1							
19	2	158563-51281	O-RING, 4D S6	1							
20	2	158563-51281	O-RING, 4D S6	1							
20A	2	129927-51390	VALVE ASSY, DELIVERY	4							W
(A=*2008.04.)											
30	3	158563-51330	SPRING, DELIVERY	4							
52	2	158601-51550	PLUG, M22	1							
53	2	129907-51560	PLUG, M16	1							
54	2	158552-51570	GASKET, PLUG	4							
55	2	158557-51570	PLUG, RACK	1							
56	2	129906-51580	GASKET, PLUG	1							
57	2	158552-51580	LIFTER, LINK	1							
58	2	129657-51590	TIMER ASSY	1							
59	3	129657-51600	TIMER ASSY	1							
62	3	158553-51670	O-RING	1							
63	3	119802-51680	RING, BACKUP	1							
64	3	119802-51690	O-RING	1							
65	3	24356-010200	O-RING, 4D1020	1							
66	3	24372-000150	RING, BACK UP T2P15	1							
68	2	119852-51630	SPRING, TIMER	1							
69	2	119852-51640	CAP, TIMER	1							
71	2	119852-51650	VALVE ASSY, SOLENOID	1							
74	2	158553-51680	GASKET, TIMER	1							
95	2	158601-51770	PISTON, ACCUMULATOR	1							
96	2	158552-51781	SPRING, ACCUMULATOR	1							
97	2	158601-51790	PLUG	1							
98	2	22190-120002	WASHER, SEAL 12	1							
99	2	22190-180002	WASHER, SEAL 18	1							
100	2	23887-120002	PLUG, 12	1							
102	2	158552-52310	O-RING	1							
103	2	158552-52400	O-RING, 4E S42	1							
104	2	22190-120002	WASHER, SEAL 12	2							
105	2	22217-180000	WASHER, SPRING 18	1							
106	2	22312-050140	PIN, PARALLEL M5X14	2							
107	2	22351-050010	PIN, SPRING 5.0X10	2							
108	2	24311-000070	O-RING, 1AP7.0	1							
109	2	24356-010200	O-RING, 4D1020	1							
110	2	24356-020210	O-RING, 4D2021	1							
111	2	26106-060102	BOLT, M6X 10 PLATED	1							
112	2	26106-060352	BOLT, M6X 35 PLATED	4							
115	2	26450-100452	BOLT, M10X 45	4							
116	2	26776-180002	NUT, LOCK M18	1							
119	2	129927-51650	HARNES ASSY, WIRE	1							
120	3	129927-51660	HARNES	1							
121	3	129263-77941	CAP, RUBBER	1							
122	2	158601-51650	JOINT, OVER FLOW	1							
123	2	129927-51670	BRACKET	1							
124	2	158552-51670	JOINT, OVER FLOW	1							

N:Old $\frac{New}{Old}$ New, Q:Old $\frac{New}{Old}$ New, R:Old $\frac{New}{Old}$ New, S:Old $\frac{New}{Old}$ New, W:Add, Z:Discontinued, F:Interchangeable by set, K:Q'ty Change
 ++ CONTINUE ++
 Copyright (C) YANMAR GLOBAL CS CO., LTD. All Rights Reserved.

Fig.12. FUEL INJECTION PUMP



(A)=4TNV98-ENLAN
(B)=
(C)=

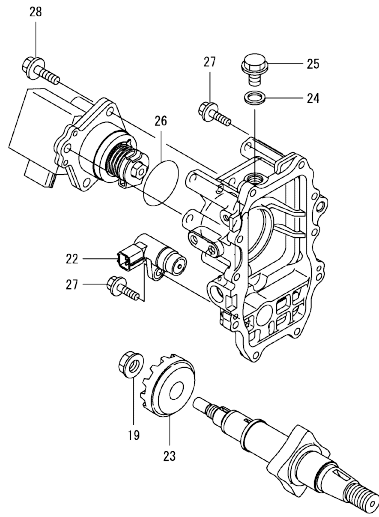
(D)=
(E)=
(F)=

No.	Lev.	Parts No.	Description	Q'ty					
				(A)	(B)	(C)	(D)	(E)	(F)
126	2	158552-52100	PUMP ASSY, FUEL FEED	1					
127	3	158552-52500	O-RING	1					
128	2	119934-59910	JOINT, PIPE	1					
129	2	22190-120002	WASHER, SEAL 12	1					
130	2	22217-050000	WASHER, SPRING 5	1					
131	2	26106-060122	BOLT, M6X 12 PLATED	1					
132	2	26716-050002	NUT, M5	1					
133	2	27241-160000	PLUG, 16	1					
135	1	129927-51250	RETAINER, PUMP	1					
136	1	26106-080202	BOLT, M8X 20 PLATED	3					
137	1	26106-080302	BOLT, M8X 30 PLATED	3					

Remarks

(1) GOVERNOR ASSY (FIG.13) IS INCORPORATED IN THIS FUEL INJECTION PUMP (REF.NO.1).
* ECO PUMP
MAKE SURE TO UPDATE THE ENGINES ECU INFORMATION WHEN REPLACING THE ECO PUMP.
FAILING TO DO SO WILL RESULT IN ENGINE MALFUNCTION.

Fig.13. GOVERNOR



(A)=4TNV98-ENLAN
(B)=
(C)=

(D)=
(E)=
(F)=

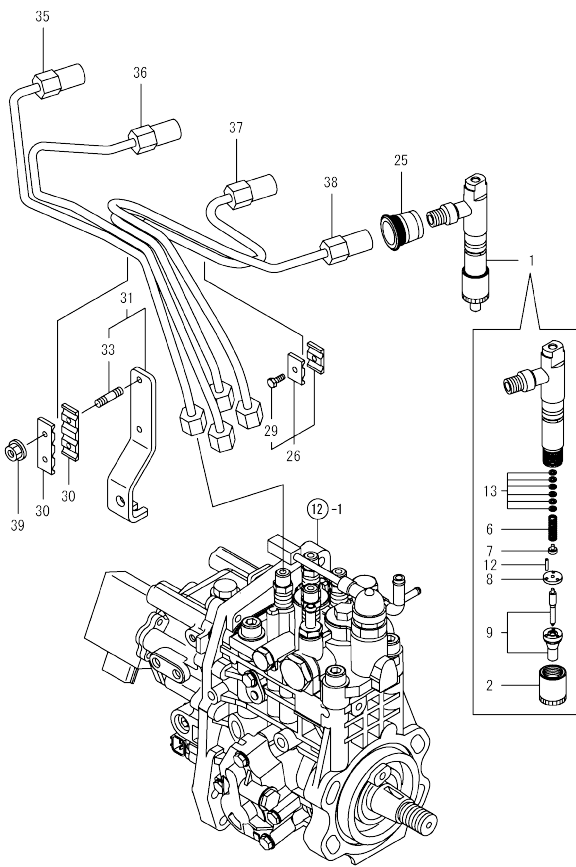
No.	Lev.	Parts No.	Description	Q'ty					
				(A)	(B)	(C)	(D)	(E)	(F)
19	2	129008-61301	NUT	1					
22	2	158557-61720	SENSOR	1					
23	2	158553-61780	GEAR, SENSOR	1					
24	2	23414-120000	GASKET, 12X1.0	1					
25	2	23887-120002	PLUG, 12	1					
26	2	24341-000480	O-RING, 1AS48.0	1					
27	2	26106-060252	BOLT, M6X 25 PLATED	10					
28	2	26106-080252	BOLT, M8X 25 PLATED	3					

Remarks
* THIS FIGURE(GOVERNOR ASSY)IS
INCORPORATED IN THE FUEL INJECTION
PUMP ASSY(FIG.12).

Fig.14. FUEL INJECTION VALVE

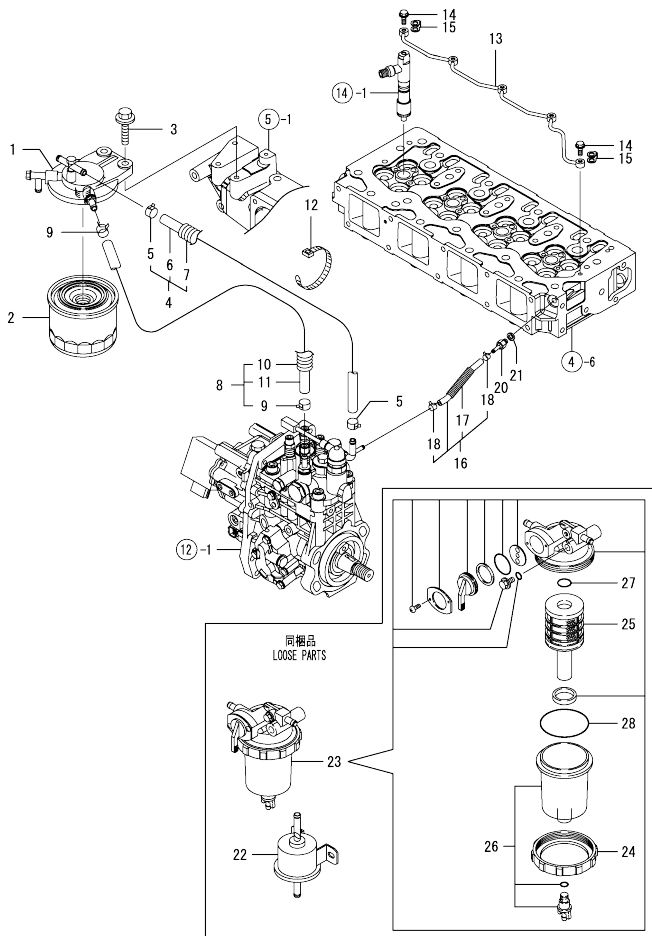
(A)=4TNV98-ENLAN
(B)=
(C)=

(D)=
(E)=
(F)=



No.	Lev.	Parts No.	Description	Q'ty						I	R
				(A)	(B)	(C)	(D)	(E)	(F)		
1	1	729927-53200	VALVE ASSY,INJECTION	4							
2	2	114250-53080	NUT, NOZZLE D16.95	4							
6	2	114250-53120	SPRING, NOZZLE	4							
7	2	114250-53130	SEAT, SPRING	4							
8	2	114250-53140	PLATE	4							
9	2	129927-53200	VALVE ASSY,INJECTION	4							
12	2	114250-53210	PIN	8							
13	2	114250-53400	SHIM SET	4							
25	1	123907-11601	SEAL	4							
26	1	119305-59120	RETAINER, PIPE	1							
29	2	129150-59131	BOLT, M4X14	1							
30	1	123472-59120	RETAINER, PIPE	2							
31	1	129973-59700	SUPPORT ASSY	1							
33	2	26216-060202	STUD, M6X 20	2							
35	1	129973-59810	PIPE ASSY, INJECTION	1							
36	1	129973-59820	PIPE ASSY, INJECTION	1							
37	1	129973-59830	PIPE ASSY, INJECTION	1							
38	1	129973-59840	PIPE ASSY, INJECTION	1							
39	1	26366-060002	NUT, M6	2							

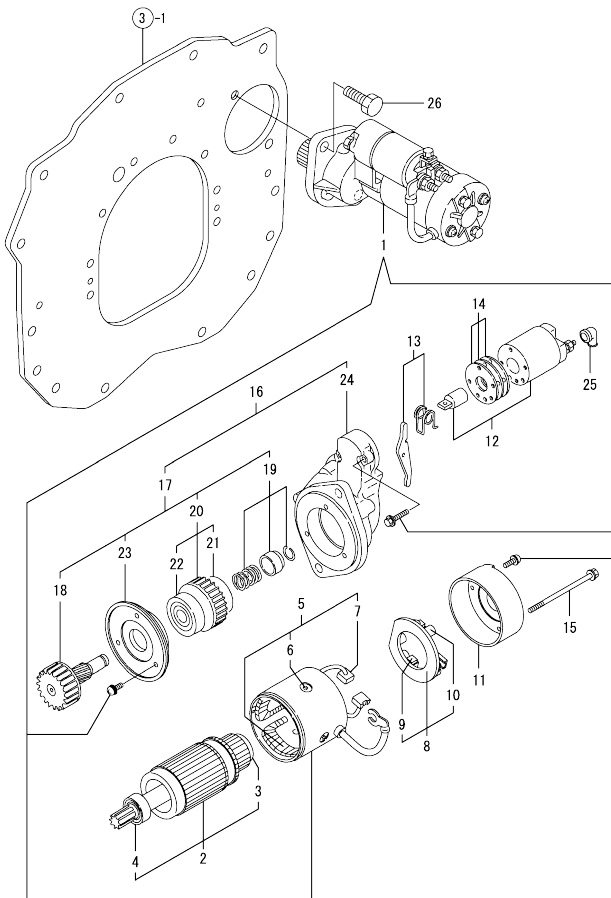
Fig.15. FUEL LINE



No.	Lev.	Parts No.	Description	Q'ty						I	R
				(A)	(B)	(C)	(D)	(E)	(F)		
1	1	129004-55612	BRACKET, FILTER	1							
2	1	119802-55801	FILTER, FUEL	1							
3	1	26106-080302	BOLT, M8X 30 PLATED	2							
4	1	129467-59010	PIPE ASSY, FUEL	1							
5	2	124766-59050	CLIP, HOSE 12	2							
6	2	129335-59090	PIPE, FUEL D13X500	1							
7	2	119560-59110	TUBE, CORRUGATED	1							
8	1	129950-59211	PIPE, FUEL	1							
9	2	124766-59050	CLIP, HOSE 12	2							
10	2	129950-59221	TUBE, CORRUGATED	1							
11	2	105025-59530	PIPE, FUEL D13X400	1							
12	1	121750-59890	BAND, 140	1							
13	1	129907-59140	PIPE ASSY, RETURN	1							
14	1	123907-59540	BOLT, PIPE JOINT M6	5							
15	1	123907-59550	GASKET	5							
16	1	129927-59550	PIPE ASSY, RETURN	1							
17	2	129263-49750	TUBE, CORRUGATED	1							
18	2	124722-59050	CLIP, HOSE 9	2							
20	1	123907-59560	JOINT	1							
21	1	22190-080002	WASHER, SEAL 6	1							
22	1	119225-52102	PUMP ASSY, FUEL FEED	1							
23	1	119802-55700	SEPARATOR ASSY	1							
24	2	129100-55690	RING, RETAINING	1							
25	2	119802-55710	ELEMENT	1							
26	2	119802-55730	CUP ASSY	1							
27	2	24311-000160	O-RING, 1AP16.0	1							
28	2	24321-000650	O-RING, 1AG65.0	1							

N:Old $\frac{100}{100}$ New, Q:Old $\frac{100}{100}$ New, R:Old $\frac{100}{100}$ New, S:Old $\frac{100}{100}$ New, W:Add, Z:Discontinued, F:Interchangeable by set, K:Q'ty Change
 Copyright (C) YANMAR GLOBAL CS CO., LTD. All Rights Reserved.

Fig.16. STARTING MOTOR



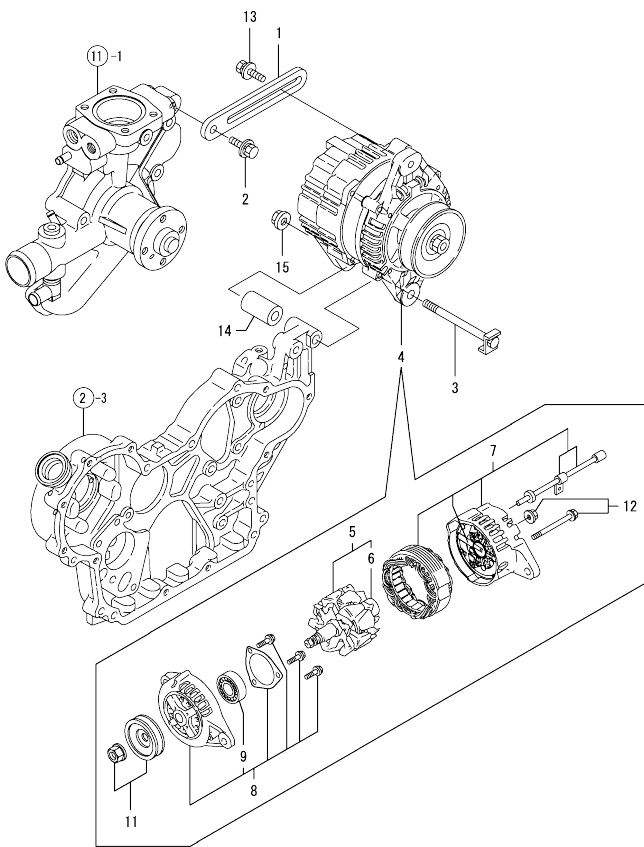
(A)=4TNV98-ENLAN
(B)=
(C)=

(D)=
(E)=
(F)=

No.	Lev.	Parts No.	Description	Q'ty						
				(A)	(B)	(C)	(D)	(E)	(F)	
1	1	129900-77010	STARTER(2.3KW	1						
2	2	129900-77400	ARMATURE ASSY	1						
3	3	X2114155110	BEARING, BALL	1						
4	3	X2114255110	BEARING, BALL	1						
5	2	129900-77440	COIL ASSY, FIELD	1						
6	3	171008-77450	SCREW	4						
7	3	129900-77450	BRUSH (+)	2						
8	2	129900-77480	HOLDER ASSY, BRASH	1						
9	3	129900-77450	BRUSH (+)	2						
10	3	X2130631300	SPRING, BRUSH	4						
11	2	129900-77460	COVER, REAR	1						
12	2	129900-77591	SWITCH ASSY,MAGNETIC	1						
13	2	129900-77620	SHIFT LEVER SET	1						
14	2	129900-77650	COVER ASSY, DUST	1						
15	2	129900-77640	BOLT, THROUGH	2						
16	2	129900-77700	GEAR CASE ASY	1						
17	3	129900-77510	PINION ASSY	1						
18	4	129900-77540	SHAFT, PINION	1						
19	4	129900-77550	STOPPER SET	1						
20	4	129900-77520	CLUTCH ASSY	1						
21	5	171008-77730	BALL BEARING (3)	1						
22	5	171008-77740	BALL BEARING (4)	1						
23	4	129900-77610	RETAINER, BEARING	1						
24	3	129900-77710	HOUSING, GEARS	1						
25	2	171008-77750	COVER, M TERMINAL	1						
26	1	26116-120202	BOLT, M12X 20 PLATED	1						

0CW10-M34700 4TNV98-ENLANA
 Fig.17. GENERATOR

0CW10-M34700 Fig.17

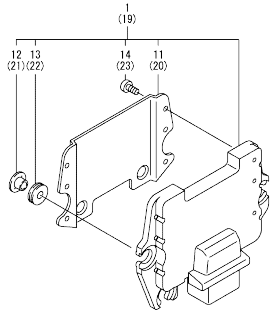


(A)=4TNV98-ENLAN
 (B)=
 (C)=

(D)=
 (E)=
 (F)=

No.	Lev.	Parts No.	Description	Q'ty						I	R
				(A)	(B)	(C)	(D)	(E)	(F)		
1	1	129900-77330	ADJUSTER	1							
2	1	26014-080252	BOLT, M8X 25	1							
3	1	129002-77280	BOLT ASSY	1							
4	1	129612-77290	ALTERNATOR, 12V-80A	1							
5	2	123910-77740	ROTOR ASSY	1							
6	3	129900-77810	BALL BEARING	1							
7	2	129612-77820	BRACKET ASSY	1							
8	2	129900-77890	BRACKET, FRONT	1							
9	3	129900-77900	BALL BEARING	1							
11	2	129900-77910	PULLEY	1							
12	2	129900-77920	SCREW KIT	1							
13	1	119810-77340	BOLT, ADJUSTER	1							
14	1	129002-77340	PIECE, DISTANCE	1							
15	1	26306-100002	NUT, M10	1							

Fig.18. ELECTRONIC CONTROL UNIT (ECU)



(A)=4TNV98-ENLAN
(B)=
(C)=

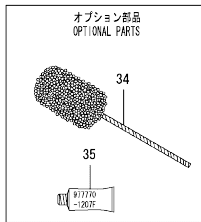
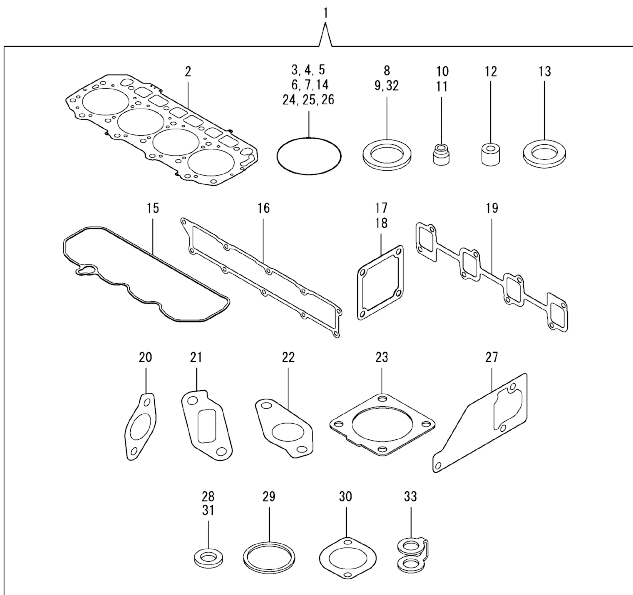
(D)=
(E)=
(F)=

No.	Lev.	Parts No.	Description	Q'ty						I	R
				(A)	(B)	(C)	(D)	(E)	(F)		
1	1	129968-75030	CONTROLLER ASSY, EUC	1							1
11	2	129927-77600	SHIELD	1							
12	2	129927-77680	COLLAR	3							
13	2	119578-91351	ABSORBER	3							
14	2	22877-500080	SCREW, 5X 8	6							
19	1	129927-75900	CONTROLLER ASSY, EUC	1							2
20	2	129927-77600	SHIELD	1							
21	2	129927-77680	COLLAR	3							
22	2	119578-91351	ABSORBER	3							
23	2	22877-500080	SCREW, 5X 8	6							

Remarks

(1)ECO ECU
THIS PART CANNOT BE ORDERED.
REPLACE THE PART USING A SERVICE
ECU WITH THE PROPER ENGINE
INFORMATION INSTALLED.
(2)SERVICE ECU
IF THE PROPER INFORMATION IS NOT
INSTALLED, THE ENGINE WILL NOT
OPERATE.
TO INSTALL PROPER INFORMATION,
GO TO AN AUTHORIZED DISTRIBUTOR.

Fig.19. GASKET SET



(A)=4TNV98-ENLAN
(B)=
(C)=

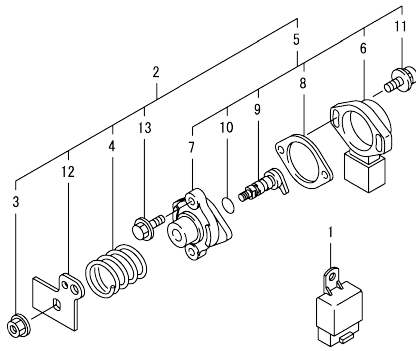
(D)=
(E)=
(F)=

No.	Lev.	Parts No.	Description	Qty						I	R	
				(A)	(B)	(C)	(D)	(E)	(F)			
1	1	729968-92610	GASKET SET	1							1	
2	2	129907-01331	GASKET, HEAD	1								
3	2	129900-32030	O-RING, P20	2								
4	2	129900-32040	O-RING, P14	1								
5	2	24351-030750	O-RING, 1A3075	1								
6	2	24311-000320	O-RING, 1AP32.0	2								
7	2	24321-000850	O-RING, 1AG85.0	1								
8	2	22190-160002	WASHER, SEAL 16	2								
9	2	22190-080002	WASHER, SEAL 6	11								
10	2	119803-11340	SEAL, VALVE STEM	8								
11	2	124160-11340	SEAL, VALVE STEM	8								
12	2	119802-11870	PROTECTOR, NOZZLE	4								
13	2	119625-11880	SEAT, NOZZLE	4								
14	2	24311-000120	O-RING, 1AP12.0	8								
15	2	129933-11310	GASKET, BONNET	1								
16	2	129907-12110	GASKET, MANIFOLD	1								
17	2	119129-77020	GASKET	1								
18	2	121850-77021	GASKET	1								
19	2	129900-13251	GASKET	1								
20	2	129927-13810	GASKET	2								
21	2	129927-13910	GASKET	1								
22	2	129927-13920	GASKET	1								
23	2	129930-13201	GASKET, SILENCER	1								
24	2	24341-000530	O-RING, 1AS53.0	1								
25	2	24311-000200	O-RING, 1AP20.0	1								
26	2	24321-000600	O-RING, 1AG60.0	1								
27	2	129900-42061	GASKET, WATER PUMP	1								
28	2	23414-080000	GASKET, 8X1.0	1								
29	2	121850-49550	GASKET, THERMOSTAT	1								
30	2	129900-49560	GASKET	1								
31	2	124465-44950	GASKET, 16	1								
32	2	22190-120002	WASHER, SEAL 12	1								
33	2	123907-59550	GASKET	5								
34	1	129400-92450	HONE	1								1
35	1	977770-1207F	GASKET.LIQUID	1								1

Remarks
(1) OPTIONAL PART.

0CW10-M34700 4TNV98-ENLANA
 Fig.20. LOOSE PART

0CW10-M34700 Fig.20



No.	Lev.	Parts No.	Description	Q'ty					
				(A)	(B)	(C)	(D)	(E)	(F)
1	1	198461-52950	RELAY, CA TYPE C	2					
2	1	129938-77800	SENSOR ASSY	1					
3	2	194990-22130	NUT, M6	1					
4	2	119060-61990	SPRING, RETURN	1					
5	2	129054-77800	SENSOR ASSY	1					
6	3	185100-50070	BODY	1					
7	3	129054-77811	SUPPORT	1					
8	3	129054-77820	GASKET, SUPPORT	1					
9	3	129054-77830	SHAFT ASY	1					
10	3	24311-000070	O-RING, 1AP7.0	1					
11	3	26023-040202	SCREW, M4X20	2					
12	2	129938-77810	LEVER	1					
13	2	26106-060122	BOLT, M6X 12 PLATED	2					

N:Old $\frac{100}{100}$ New, Q:Old $\frac{100}{100}$ New, R:Old $\frac{100}{100}$ New, S:Old $\frac{100}{100}$ New, W:Add, Z:Discontinued, F:Interchangeable by set, K:Q'ty Change
 Copyright (C) YANMAR GLOBAL CS CO., LTD. All Rights Reserved.

Parts No. Index

Parts No.	Fig. No.	Ref. No.	Parts No.	Fig. No.	Ref. No.	Parts No.	Fig. No.	Ref. No.	Parts No.	Fig. No.	Ref. No.
105010-39140	10	30	121850-21290	8	5	129054-77820	20	8	129900-23911	8	31
105025-59530	15	11		9	4	129054-77830	20	9	129900-25110	7	10
105425-01690	3	6			5	129100-01580	1	29	129900-26030	7	20
114250-53080	14	2	121850-21920	8	6			30	129900-26250	2	42
114250-53120	14	6	121850-49550	11	26		2	1	129900-32030	2	17
114250-53130	14	7		19	29	129100-55690	15	24		10	15
114250-53140	14	8	121850-49800	11	28	129150-02450	7	4		19	3
114250-53210	14	12	121850-77021	5	6	129150-11230	4	40	129900-32040	2	18
114250-53400	14	13		19	18			44		19	4
119005-77051	5	7	123472-59120	14	30	129150-11750	4	21	129900-42061	11	18
119060-61990	20	4	123900-25060	7	9			41		19	27
119129-77020	5	5	123907-03100	4	57			45	129900-42140	11	3
	19	17	123907-03110	4	58	129150-14200	7	1	129900-49560	11	27
119129-77520	5	8	123907-03120	4	59	129150-25920	7	13		19	30
119131-18320	6	7	123907-03140	4	60	129150-35153	10	14	129900-77010	16	1
119225-52102	15	22	123907-11280	4	37	129150-59131	14	29	129900-77330	17	1
119305-59120	14	26	123907-11550	4	5	129263-13210	6	4	129900-77400	16	2
119309-01810	1	31	123907-11601	14	25	129263-49750	15	17	129900-77440	16	5
119560-59110	15	7	123907-11820	4	23	129263-77941	12	121	129900-77450	16	7
119578-91351	18	13	123907-11830	4	22	129335-59090	15	6			9
		22	123907-39500	10	22	129400-92450	19	34	129900-77460	16	11
119593-11301	4	32	123907-59540	15	14	129403-49050	10	7	129900-77480	16	8
119620-11180	4	16	123907-59550	15	15	129403-49060	10	6	129900-77510	16	17
119625-11880	4	28		19	33	129418-18320	6	3	129900-77520	16	20
	19	13	123907-59560	15	20	129467-59010	15	4	129900-77540	16	18
119640-61400	4	63	123910-77740	17	5	129612-77290	17	4	129900-77550	16	19
119761-39450	10	19	123912-33050	10	2	129612-77820	17	7	129900-77591	16	12
119802-11870	4	27	123912-33100	10	3	129657-51590	12	58	129900-77610	16	23
	19	12	124160-01751	2	24	129657-51600	12	59	129900-77620	16	13
119802-13680	6	6		4	52	129693-44310	3	9	129900-77640	16	15
119802-51680	12	63	124160-11340	4	18	129795-01960	9	1	129900-77650	16	14
119802-51690	12	64		19	11	129900-01200	1	27	129900-77700	16	16
119802-55700	15	23	124160-11360	4	68	129900-01250	1	4	129900-77710	16	24
119802-55710	15	25	124411-01780	3	15	129900-01850	2	36	129900-77810	17	6
119802-55730	15	26	124465-44950	11	32	129900-01870	2	37	129900-77890	17	8
119802-55801	15	2		19	31	129900-02020	1	7	129900-77900	17	9
119803-11340	4	17	124722-59050	15	18	129900-02341	1	35	129900-77910	17	11
	19	10	124766-59050	15	5	129900-02410	1	10	129900-77920	17	12
119810-77340	17	13			9	129900-02931	1	24	129906-51580	12	56
119852-49300	11	12	128610-14120	9	3	129900-02941	1	38	129907-01331	1	28
119852-51630	12	68	129001-91810	2	38	129900-13251	6	5		19	2
119852-51640	12	69	129001-91841	3	10		19	19	129907-03011	4	54
119852-51650	12	71	129002-77280	17	3	129900-14110	7	6	129907-03061	4	55
119860-34810	10	12	129002-77340	17	14	129900-14140	2	41	129907-03070	4	56
119934-59910	12	128	129004-55612	15	1	129900-21220	8	3	129907-11100	4	13
120130-22301	8	23	129005-59830	10	24	129900-21600	8	16	129907-11110	4	14
121450-42450	11	30	129006-44480	10	5	129900-23001	8	25	129907-11120	4	15
121750-59890	15	12	129008-61301	13	19	129900-23200	8	28	129907-11250	4	34
121850-21130	8	13	129054-77800	20	5	129900-23601	8	29	129907-11260	4	35
121850-21290	8	4	129054-77811	20	7	129900-23611	8	32	129907-11270	4	36

Parts No. Index

Parts No.	Fig. No.	Ref. No.
129907-11341	4	33
129907-11510	4	19
129907-11650	4	38
129907-11660	4	42
129907-11800	4	26
129907-11910	4	29
129907-11920	4	46
129907-11950	4	30
129907-12110	5	2
	19	16
129907-14400	7	2
129907-25900	7	16
129907-44740	11	45
129907-51560	12	53
129907-59140	15	13
129908-14590	7	3
129908-33010	10	1
129908-33101	10	4
129908-49060	10	9
129916-01800	2	35
129916-21610	8	9
129916-49740	11	14
129917-42160	11	4
129917-42170	11	5
129917-42300	11	9
129917-42310	11	10
129927-11320	4	53
129927-11700	4	6
129927-13810	6	9
	19	20
129927-13900	6	15
129927-13910	6	16
	19	21
129927-13920	6	17
	19	22
129927-22050	8	19
129927-39060	10	20
129927-44900	11	31
129927-51250	12	135
129927-51390	12	20 A
129927-51650	12	119
129927-51660	12	120
129927-51670	12	123
129927-53200	14	9
129927-59550	15	16
129927-75900	18	19
129927-77600	18	11
		20
		21
129927-77680	18	12
		21

Parts No.	Fig. No.	Ref. No.
129930-01870	2	30
129930-13201	6	20
	19	23
129930-39050	10	29
129930-42450	11	22
129933-11310	4	62
	19	15
129935-44710	11	23
129938-77800	20	2
129938-77810	20	12
129942-21000	8	1
129950-59211	15	8
129950-59221	15	10
129951-01740	2	26
129953-25300	7	15
129953-42290	11	44
129956-01640	3	13
129956-01710	1	5
129956-01730	3	3
129956-01760	3	5
129956-28009	9	2
129956-28019	9	6
129956-28101	9	10
129956-28111	9	11
129956-28180	9	12
129956-28321	8	7
129956-28332	9	13
129956-28341	9	14
129956-32001	2	4
129956-34820	10	13
129956-35100	10	16
129956-49230	10	8
129960-21640	8	10
129963-01500	2	3
129968-01600	3	1
129968-12100	5	1
129968-13100	6	2
129968-13150	6	1
129968-13850	6	11
129968-21590	8	14
129968-21650	8	11
129968-22080	8	17
129968-42010	11	1
129968-49630	11	34
129968-49640	11	38
129968-75030	18	1
129972-01731	3	4
129973-07901	4	1
129973-07910	4	2
129973-13840	6	10

Parts No.	Fig. No.	Ref. No.
129973-59700	14	31
129973-59810	14	35
129973-59820	14	36
129973-59830	14	37
129973-59840	14	38
129981-49531	11	25
144626-51090	12	9
158552-51570	12	54
158552-51580	12	57
158552-51670	12	124
158552-51781	12	96
158552-52100	12	126
158552-52310	12	102
158552-52400	12	103
158552-52500	12	127
158553-51670	12	62
158553-51680	12	74
158553-61780	13	23
158557-51570	12	55
158557-61720	13	22
158563-51150	7	17
	12	12
158563-51281	12	19
		20
158563-51330	12	30
158600-51270	12	18
158601-51550	12	52
158601-51650	12	122
158601-51770	12	95
158601-51790	12	97
171008-77450	16	6
171008-77730	16	21
171008-77740	16	22
171008-77750	16	25
171051-01921	1	6
171056-49120	10	32
175339-79700	4	64
	11	42
185100-50070	20	6
194990-22130	20	3
198461-52950	20	1
22190-080002	3	11
	10	25
		27
		31
	15	21
	19	9
22190-120002	11	33
	12	98
		104

Parts No.	Fig. No.	Ref. No.
22190-120002	12	129
	19	32
22190-160002	3	8
	19	8
22190-180002	12	99
22217-050000	12	130
22217-180000	7	18
	12	105
22252-000300	8	24
22312-050140	12	106
22351-050010	12	107
22351-060012	1	11
22512-070140	7	7
	8	8
22857-500100	4	65
		66
22877-500080	18	14
		23
23000-025000	10	10
23080-012000	11	37
		41
23414-080000	11	19
	19	28
23414-120000	13	24
23857-030000	10	26
23876-005000	9	15
23876-020000	4	10
23876-030000	1	12
		13
		11
23887-120002	4	11
	12	100
	13	25
24311-000070	12	108
	20	10
24311-000120	4	31
		69
	19	14
24311-000160	15	27
24311-000200	9	17
	19	25
24311-000320	2	25
	4	70
	19	6
24321-000600	10	11
	19	26
24321-000650	15	28
24321-000850	2	31
	19	7
24341-000480	13	26
24341-000530	8	12

Parts No. Index

Parts No.	Fig. No.	Ref. No.
24341-000530	19	24
24351-030750	2	19
	19	5
24356-010200	12	65
		109
24356-020210	12	110
24372-000150	12	66
26014-080252	17	2
26023-040202	20	11
26106-060102	12	111
26106-060122	4	67
	11	43
	12	131
	20	13
26106-060202	11	16
26106-060252	13	27
26106-060352	12	112
26106-080122	10	28
	11	20
26106-080142	10	17
26106-080162	2	20
		39
	6	12
		13
	7	8
	9	16
26106-080202	2	21
		27
	4	3
		4
	10	18
	12	136
26106-080252	3	12
	11	29
	13	28
26106-080302	3	16
	12	137
	15	3
26106-080402	2	40
	4	48
	5	9
	11	24
26106-080452	2	22
		28
26106-080552	5	3
	7	14
	11	21
26106-080602	4	49
		50
	9	18

Parts No.	Fig. No.	Ref. No.
26106-080752	2	29
26106-080852	5	4
26106-080902	5	10
26106-100202	2	32
26106-100302	6	14
		18
		19
26106-100952	6	19
26116-100202	3	2
26116-120202	16	26
26216-060202	14	33
26216-100302	2	16
26226-080222	4	47
26306-080002	4	51
	6	8
26306-100002	2	23
	17	15
26366-060002	14	39
26450-100452	12	115
26577-060142	11	17
26716-050002	12	132
26776-180002	7	19
	12	116
	12	133
27241-160000	1	14
27241-300000	4	12
27241-400000	4	24
27310-070001	1	32
729900-02801	2	33
729906-01550	8	36
729927-22950	14	1
729927-53200	1	1
729968-01560	8	34
729968-22900	12	1
729968-51320	19	1
729968-92610	19	35
977770-1207F	16	3
X2114155110	16	4
X2114255110	16	10
X2130631300		

Parts No.	Fig. No.	Ref. No.
-----------	----------	----------

Parts No.	Fig. No.	Ref. No.
-----------	----------	----------