

0CW10-M15501EN

# P R E F A C E

1. This parts catalog is the 2nd edition of 4TNV98-GGEH/IGEHR/GGEHR for HIMOINSA.

Pub.No. : 0CW10-G15501

Published : October, 2012

2. Model name

Engine model	Vehicle	Vehicle made by
4TNV98-GGEH/IGEHR/GGEHR	GENERATOR	HIMOINSA

## Directions for the Parts Catalog.

1. This Parts Catalog shows both standard and optional parts.
2. Parts may change without prior notice.
3. The following is an example of the Parts Catalog format.

REF.	LEV.	PARTS NO.	DESCRIPTION	Q'TY						I	R
				(A)	(B)	(C)	(D)	(E)	(F)		
1	1	729595-51390	FUEL INJECTION PUMP	1	1	1	1	1			1
1-1	1	729595-51391	FUEL INJECTION PUMP	1	1	1	1	1		N	1
		(A=E00185) (B=E00200)									
3	2	26022-060162	SCREW M 6X 16	9	9	9	9	9			
3-1	2	26022-060162	SCREW M 6X 16	4	4	4	4	4		K	
		(A=E00156) (B=E00156) (C=E00156) (D=E00156) (E=E00156)									
4	2	129470-51040	CAMSHAFT	1	1	1	1	1			
5	2	122710-51050	BEARING, ROLLER	2	2	2	2	2			
6	2	129470-51060	RETAINER	1	1	1	1	1			

Remarks
(1) BOOST COMPEMSATOR TYPE. OPTIONAL PART, TO E00155,(4JH-DT, 4JH-DTZ

### ① Ref. No.

The Ref. No. listed may not be in accordance with the illustration Ref. No.

(Ex.) Illustration No.

List Ref No.

1 1 (Before change) → 1-1 (After change)

For interchangeable symbols N, R and K, illustrations for new parts may be abbreviated.

### ② Lev. (Level)

Level indication

The numbers below indicate the level of relativity towards the main part.

1 ---- Main parts (Assembly parts)

2 ---- Sub component included in " 1 ".

3 ---- Sub component included in " 2 ".

Note) Parts that are not for sale are partially illustrated but not listed.

### ③ Interchangeability Symbol

When a part change takes place, one of the following interchangeability symbols is indicated beside the part.

Symbol	Interchangeability	Contents note
N	Old $\begin{matrix} \leftarrow \text{Yes} \\ \text{No} \rightarrow \end{matrix}$ New	New Part is interchangeable for Old Part but Old Part is not interchangeable for New Part.
Q	Old $\begin{matrix} \leftarrow \text{No} \\ \text{Yes} \rightarrow \end{matrix}$ New	New Part is not interchangeable for Old Part but Old Part is interchangeable for New Part.
R	Old $\begin{matrix} \leftarrow \text{Yes} \\ \text{Yes} \rightarrow \end{matrix}$ New	New/ Old Parts are both interchangeable.
S	Old $\begin{matrix} \leftarrow \text{No} \\ \text{No} \rightarrow \end{matrix}$ New	New/ Old Parts are both not interchangeable.
W		Part newly added.
Z		Part discontinued.
F		Not interchangeable by a single part but interchangeable together with related parts.
K		Changes only for used parts quantities.

### ④ Effective Machine No.

When a part changes, the effective Machine No. will be indicated in the (A)-(F) column.

Product Symbol	Product No.	Product Symbol	Product No.
C	Clutch No. Compressor No.	F	Machine No. (Agricultural Equip.)
D	Drive No.	M	Machine No.
E	Engine No.		

Note 1) A date may follow the symbol. (Ex.) 1996.01

Note 2) "XXXXX" and "ZZZZZ" are for parts that could not be predicted or for engine models that could not be identified.

Note 3) (A=E00185) is the E (Engine Serial Number) for the column (A) model (in this case 4JH-DT) after the parts design change.

### ⑤ Remarks

Figures or alphabets (symbols) are entered in the remarks column.

The comments (remarks) on parts that are indicated at the bottom of the illustration are the same symbols as those stated above.

## Contents

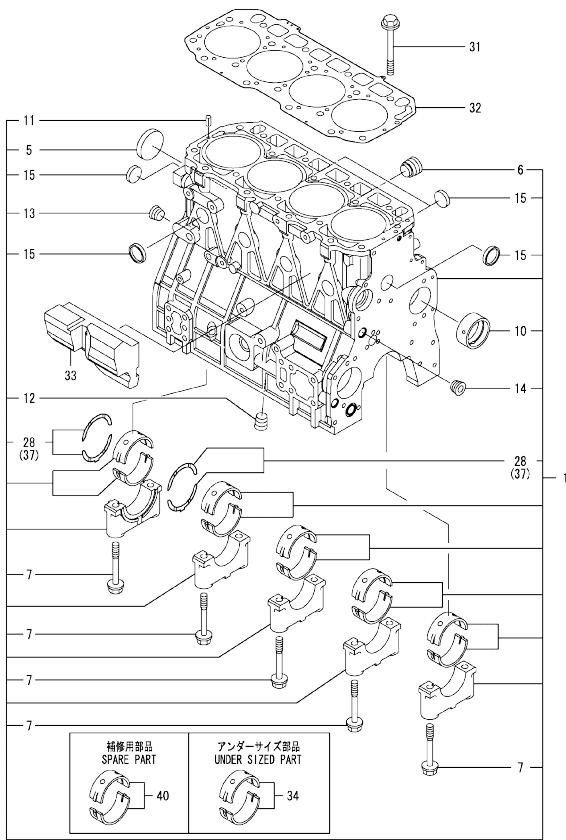
0CW10-M15501

Fig. No.	Fig. Name	Fig. No.	Fig. Name
4TNV98-GGEH,4TNV98-GGEHR,4TNV98-IGEHR			
1.	CYLINDER BLOCK		
2.	GEAR HOUSING		
3.	FLYWHEEL HOUSING & OIL SUMP		
4.	CYLINDER HEAD & BONNET		
5.	SUCTION MANIFOLD & AIR CLEANER		
6.	EXHAUST MANIFOLD		
7.	CAMSHAFT & DRIVING GEAR		
8.	CRANKSHAFT & PISTON		
9.	LUB. OIL SYSTEM		
10.	COOLING WATER SYSTEM		
11.	FUEL INJECTION PUMP		
12.	GOVERNOR		
19.	FUEL INJECTION PUMP		
20.	GOVERNOR		
13.	FUEL INJECTION VALVE		
14.	FUEL LINE		
15.	STARTING MOTOR		
18.	STARTING MOTOR		
16.	GENERATOR		
17.	GASKET SET		

Fig.1. CYLINDER BLOCK

(A)=4TNV98-GGEH  
(B)=4TNV98-GGEHR  
(C)=4TNV98-IGEHR

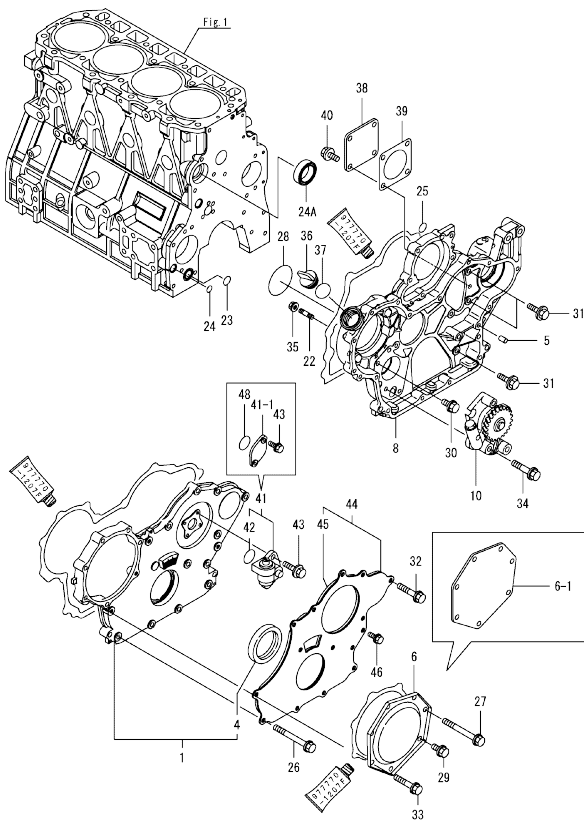
(D)=  
(E)=  
(F)=



No.	Lev.	Parts No.	Description	Q'ty						I	R
				(A)	(B)	(C)	(D)	(E)	(F)		
1	1	729907-01560	BLOCK ASSY, CYLINDER	1	1	1					
5	2	129900-01250	PLUG, DISH TYPE 55	1	1	1					
6	2	171051-01921	PLUG, NPTF1	1	1	1					
7	2	129900-02020	BOLT, METAL CAP	10	10	10					
10	2	129900-02410	BUSH, CAMSHAFT	1	1	1					
11	2	22351-060012	PIN, SPRING 6.0X12	2	2	2					
12	2	23876-030000	PLUG, R03	1	1	1					
13	2	23876-030000	PLUG, R03	1	1	1					
14	2	23876-030000	PLUG, R03	1	1	1					
15	2	27241-300000	PLUG 30	8	8	8					
28	2	129900-02931	BEARING ASSY, THRUST	2	2	2					
31	1	129900-01200	BOLT, CYLINDER HEAD	18	18	18					
32	1	129907-01331	GASKET, HEAD	1	1	1					
33	1	129907-01190	SPACER	1	1	1					
34	1	129900-02341	BEARING ASSY, MAIN	5	5	5					1
37	1	129900-02941	BEARING, THRUST 0.25	2	2	2					2
40	1	729900-02801	BEARING, MAIN	5	5	5					3

Remarks  
(1)Under-sized(U.S.=0.25)part.  
(2)Over-sized(O.S.=0.25)part.  
(3)Spare part.

Fig.2. GEAR HOUSING

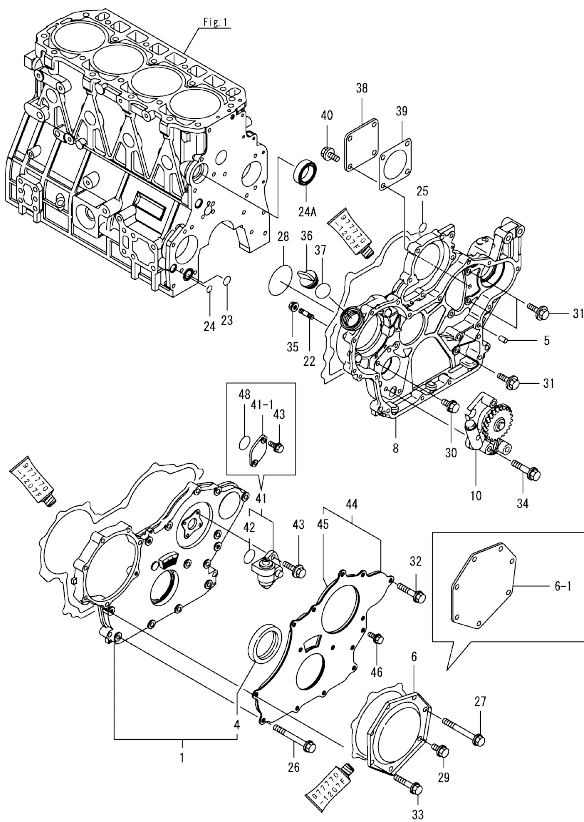


Remarks  
 (1)Color=Ref.No.3 Black,3-1 Brown.  
 (2)Interchangeable by simultaneous replacement with Ref.6-1,27-2, 29-1,33-1.

No.	Lev.	Parts No.	Description	Q'ty						I	R
				(A)	(B)	(C)	(D)	(E)	(F)		
1	1	729907-01570	COVER ASSY,GEAR CASE	1							
1-1	1	729907-01590 (A=E48996)	COVER ASSY,GEAR CASE	1	1	1					S
4	2	129900-01780	SEAL, OIL	1							
4-1	2	129916-01800 (A=E48996)	SEAL, OIL	1	1	1					S 1
5	1	129100-01580	PIN, PARALLEL 8X16	4	4	4					
6	1	129900-01740	COVER	1							
6-1	1	129951-01740	COVER	1	1	1					F 2
8	1	129907-01500	CASE, GEAR	1	1	1					
10	1	129900-32001	PUMP ASSY, OIL	1	1	1					
22	1	26216-100302	STUD, M10X 30	4	4	4					
23	1	129900-32030	O-RING, P20	1	1	1					
24	1	129900-32040	O-RING, P14	1	1	1					
24A	1	129927-42140 (A=EB5703) (B=ET3394) (C=ET3429)	GASKET, PUMP OUTLET	1	1	1					W
25	1	24311-000070	O-RING, 1AP7.0	1	1	1					
26	1	129001-91810	BOLT, M8X70	6							
26-1	1	26106-080702 (A=EXXXXXX)	BOLT, M8X 70 PLATED	6	6	6					R
27	1	129001-91810	BOLT, M8X70	1							
27-1	1	26106-080702 (A=EXXXXXX)	BOLT, M8X 70 PLATED	1							R
27-2	1	26106-080752 (A=EB5703)	BOLT, M8X 75 PLATED	1	1	1					N
28	1	24351-030750	O-RING, 1A3075	1	1	1					
29	1	26106-080162	BOLT, M8X 16 PLATED	1							
29-1	1	26106-080202 (A=EB5703)	BOLT, M8X 20 PLATED	1	1	1					N
30	1	26106-080162	BOLT, M8X 16 PLATED	1	1	1					
31	1	26106-080202	BOLT, M8X 20 PLATED	3	3	3					
32	1	26106-080402	BOLT, M8X 40 PLATED	5	5	5					
33	1	26106-080402	BOLT, M8X 40 PLATED	5							
33-1	1	26106-080452 (A=EB5703)	BOLT, M8X 45 PLATED	5	5	5					N
34	1	26106-080452	BOLT, M8X 45 PLATED	3	3	3					
35	1	26306-100002	NUT, M10	4	4	4					
36	1	124160-01751	CAP, FILLER	1	1	1					
37	1	24311-000320	O-RING, 1AP32.0	1	1	1					
38	1	124240-01871	COVER, PUMP	1	1	1					
39	1	124240-01883	GASKET	1	1	1					
39-1	1	129C26-01890 (A=EL8876) (B=EL8868)	GASKET, HO-P	1	1	1					R
40	1	26106-080162	BOLT, M8X 16 PLATED	4	4	4					
41	1	129150-91400	GEAR	1							
41-1	1	121023-01551 (A=EC5324)	COVER	1	1	1					N
42	2	24341-000240 (A=EC5324)	O-RING, 1AS24.0	1							Z
43	1	26106-080162	BOLT, M6X 16 PLATED	2	2	2					

N:Old  $\frac{100}{100}$  New, Q:Old  $\frac{100}{100}$  New, R:Old  $\frac{100}{100}$  New, S:Old  $\frac{100}{100}$  New, W:Add, Z:Discontinued, F:Interchangeable by set, K:Q'ty Change  
 ++ CONTINUE ++  
 Copyright (C) YANMAR GLOBAL CS CO., LTD. All Rights Reserved.

Fig.2. GEAR HOUSING



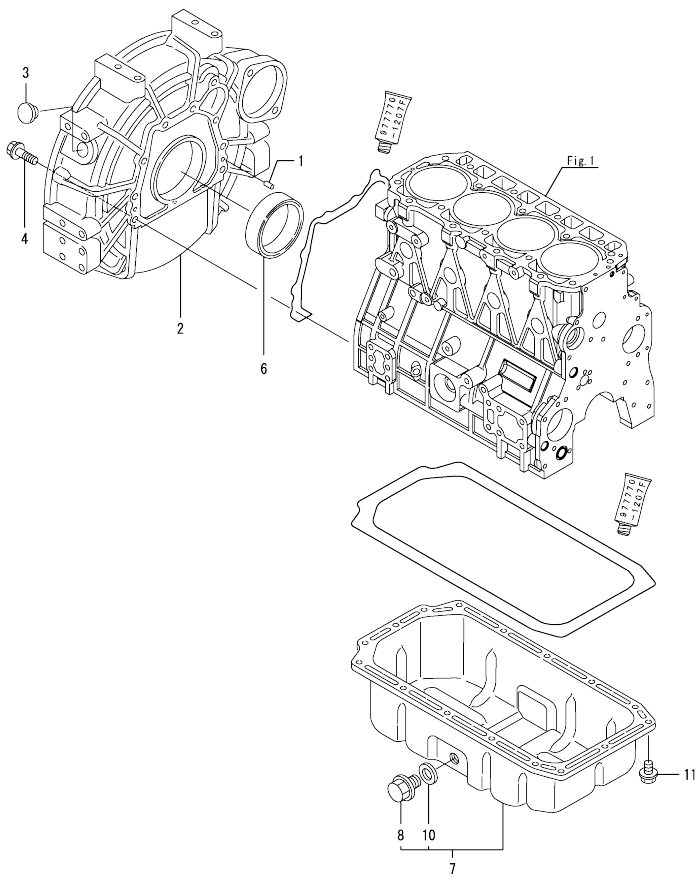
(A)=4TNV98-GGEH  
(B)=4TNV98-GGEHR  
(C)=4TNV98-IGEHR

(D)=  
(E)=  
(F)=

No.	Lev.	Parts No.	Description	Q'ty						I	R
				(A)	(B)	(C)	(D)	(E)	(F)		
44	1	129900-01850	COVER ASSY,GEAR CASE	1	1	1					
45	2	129900-01870	SPONGE, GEAR CASE	1	1	1					
46	1	26106-080162	BOLT, M8X 16 PLATED	3	3	3					
48	1	24341-000240 (A=EC5324)	O-RING, 1AS24.0	1	1	1					W

Remarks  
(1)Color=Ref.No.3 Black,3-1 Brown.  
(2)Interchangeable by simultaneous replacement with Ref.6-1,27-2, 29-1,33-1.

Fig.3. FLYWHEEL HOUSING & OIL SUMP



(A)=4TNV98-GGEH  
(B)=4TNV98-GGEHR  
(C)=4TNV98-IGEHR

(D)=  
(E)=  
(F)=

No.	Lev.	Parts No.	Description	Q'ty					
				(A)	(B)	(C)	(D)	(E)	(F)
1	1	129100-01580	PIN, PARALLEL 8X16	2	2	2			
2	1	129915-01610	HOUSING, FLYWHEEL	1	1	1			
3	1	119000-01840	PLUG, RUBBER	1	1	1			
4	1	26206-100352	BOLT, M10X 35 PLATED	9	9	9			
6	1	124411-01780	SEAL, HTC95X115X12	1	1	1			
7	1	129982-01710	OIL PAN ASSY	1	1	1			
8	2	119640-01640	PLUG, DRAIN M22	1	1	1			
10	2	22190-220002	WASHER, SEAL 22	1	1	1			
11	1	26106-080122	BOLT, M8X 12 PLATED	16	16	16			

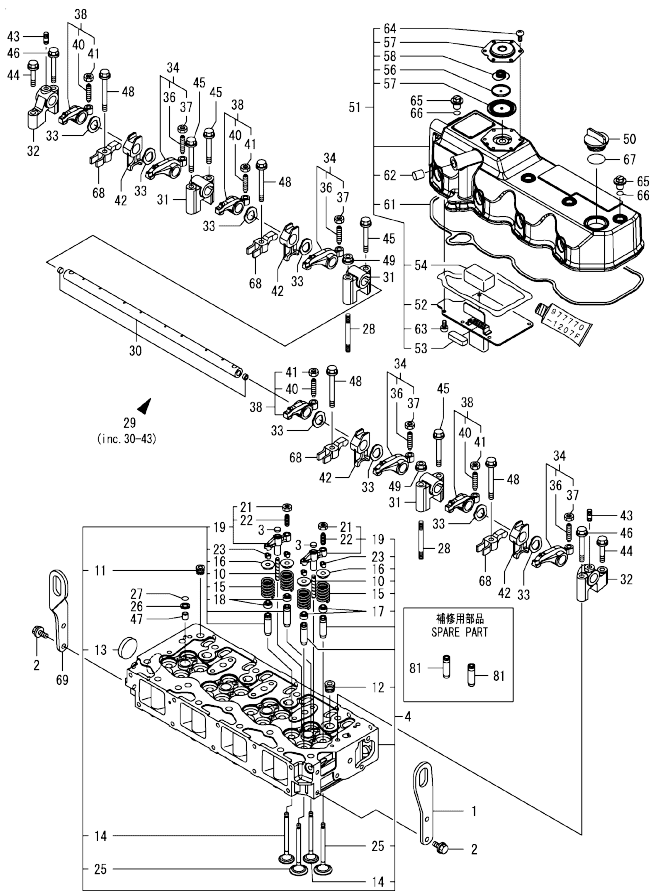


Fig.4. CYLINDER HEAD & BONNET

(A)=4TNV98-GGEH  
(B)=4TNV98-GGEHR  
(C)=4TNV98-IGEHR

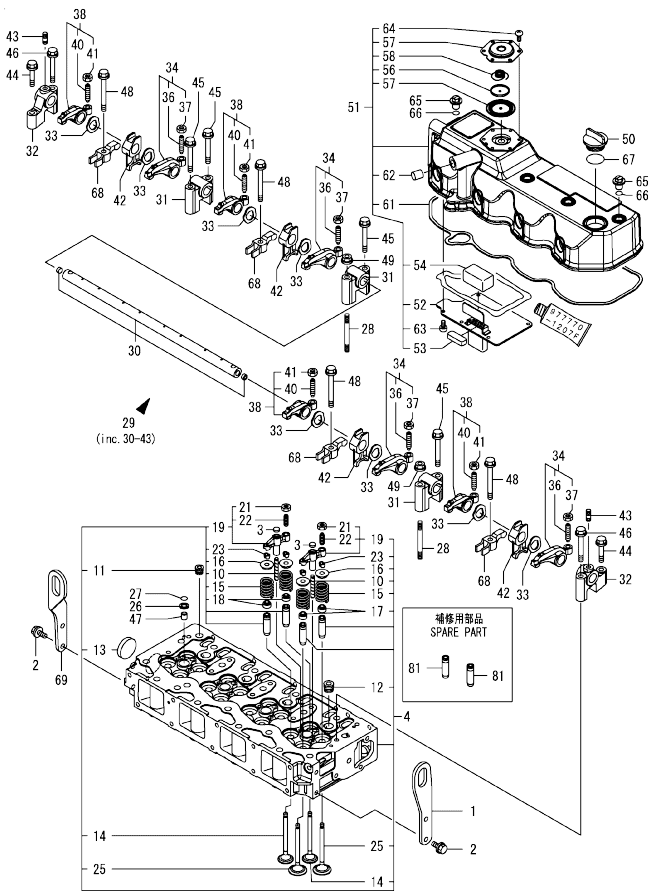
(D)=  
(E)=  
(F)=

No.	Lev.	Parts No.	Description	Q'ty						I	R
				(A)	(B)	(C)	(D)	(E)	(F)		
1	1	129907-07900	LIFTER, ENGINE	1	1	1					
2	1	26106-080162	BOLT, M8X 16 PLATED	4	4	4					
3	1	123907-11550	SEAT, VALVE BRIDGE	8	8	8					
4	1	129907-11700	HEAD ASSY, CYLINDER	1	1	1					
10	2	123907-11820	GUIDE, BRIDGE	8	8	8					
11	2	23876-020000	PLUG, R02	1	1	1					
12	2	23876-030000	PLUG, R03	4	4	4					
13	2	27241-400000	PLUG, 40	1	1	1					
14	2	129907-11110	VALVE, EXHAUST	8	8	8					
15	2	129907-11120	SPRING, VALVE	16	16	16					
16	2	119620-11180	RETAINER, SPRING	16	16	16					
17	2	124160-11340	SEAL, VALVE STEM	8	8	8					
18	2	119803-11340	SEAL, VALVE STEM	8	8	8					
19	2	129907-11510	BRIDGE ASSY, VALVE	8	8	8					
21	3	129150-11750	NUT, M8	8	8	8					
22	3	123907-11830	ADJUSTER	8	8	8					
23	2	27310-070001	COTTER, 7	16	16	16					
25	2	129907-11100	VALVE, SUCTION	8	8	8					
26	1	119625-11880	SEAT, NOZZLE	4	4	4					
27	1	24311-000120	O-RING, 1AP12.0	4	4	4					
28	1	119593-11301	BOLT, STUD M8X80	2	2	2					
29	1	129907-11341	SHAFT ASSY, ROCKER	1	1	1					
30	2	129907-11250	SHAFT, ROCKER ARM	1	1	1					
31	2	129907-11260	SUPPORT, ROCKER ARM	3	3	3					
32	2	129907-11270	SUPPORT, ROCKER ARM	2	2	2					
33	2	123907-11280	WASHER	8	8	8					
34	2	129907-11650	ARM ASSY, ROCKER	4	4	4					
36	3	129150-11230	SCREW, VALVE ADJUST	4	4	4					
37	3	129150-11750	NUT, M8	4	4	4					
38	2	129907-11660	ARM ASSY, ROCKER	4	4	4					
40	3	129150-11230	SCREW, VALVE ADJUST	4	4	4					
41	3	129150-11750	NUT, M8	4	4	4					
42	2	129907-11920	RETAINER, NOZZLE	4	4	4					
43	2	26226-080222	STUD, M8X 22	2	2	2					
44	1	26106-080402	BOLT, M8X 40 PLATED	2	2	2					
45	1	26106-080602	BOLT, M8X 60 PLATED	4	4	4					
46	1	26106-080602	BOLT, M8X 60 PLATED	2	2	2					
47	1	119802-11870	PROTECTOR, NOZZLE	4	4	4					
48	1	129907-11950	BOLT, M8X75	4	4	4					
49	1	26306-080002	NUT, M8	2	2	2					
50	1	124160-01751	CAP, FILLER	1	1	1					
51	1	129907-11320	BONNET ASSY, HEAD	1							
51-1	1	129907-11321	BONNET ASSY, HEAD	1	1	1					N
		(A=E48996)									
52	2	129907-03011	PLATE, BAFFLE	1	1	1					
53	2	129907-03061	BAFFLE, BREATHER	1	1	1					
54	2	129907-03070	BAFFLE, BREATHER	1	1	1					
55	2	123907-03100	DIAPHRAGM	1	1	1					
56	2	123907-03110	PLATE	1	1	1					
57	2	123907-03120	PLATE, BREATHER	1	1	1					
58	2	123907-03140	SPRING, DIAPHRAGM	1	1	1					



Remarks  
(1) Spare part.

Fig.4. CYLINDER HEAD & BONNET



(A)=4TNV98-GGEH  
(B)=4TNV98-GGEHR  
(C)=4TNV98-IGEHR

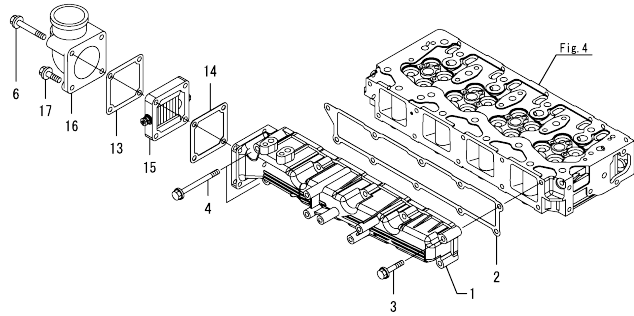
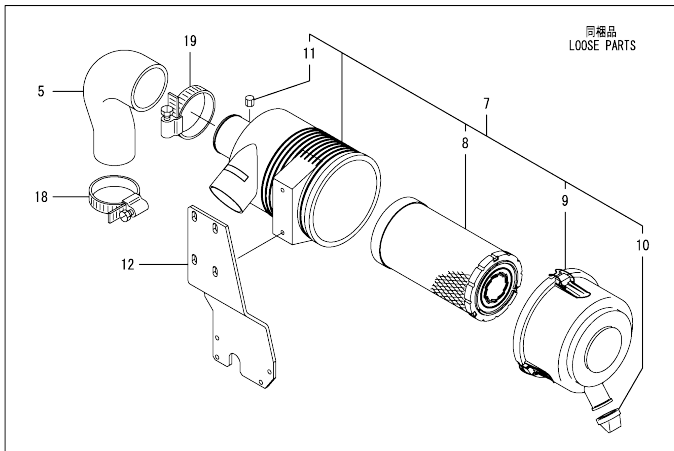
(D)=  
(E)=  
(F)=

No.	Lev.	Parts No.	Description	Q'ty						I	R
				(A)	(B)	(C)	(D)	(E)	(F)		
61	2	129907-11310	GASKET, BONNET	1							
61-1	2	129933-11310 (A=E48996)	GASKET, BONNET	1	1	1					N
62	2	119640-61400	PLUG	1	1	1					
63	2	22857-500100	SCREW, 5X10	6	6	6					
64	2	22857-500100	SCREW, 5X10	6	6	6					
65	1	124160-11360	KNOB	4	4	4					
66	1	24311-000120	O-RING, 1AP12.0	4	4	4					
67	1	24311-000320	O-RING, 1AP32.0	1	1	1					
68	1	129907-11910	RETAINER, NOZZLE	4	4	4					
69	1	129910-07900	LIFTER, ENGINE	1	1	1					
81	1	129907-11800	GUIDE, VALVE	16	16	16					1

Remarks  
(1)Spare part.

0CW10-M15501 4TNV98-GGEH,4TNV98-GGEHR,4TNV98-IGEHR  
**Fig.5. SUCTION MANIFOLD & AIR CLEANER**

0CW10-M15501 Fig.5

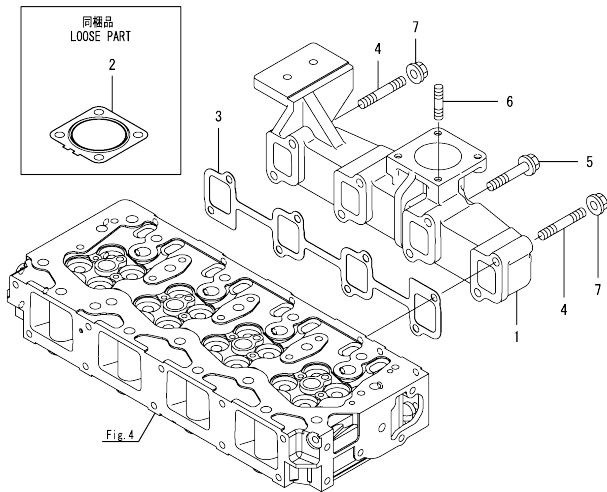


(A)=4TNV98-GGEH  
 (B)=4TNV98-GGEHR  
 (C)=4TNV98-IGEHR

(D)=  
 (E)=  
 (F)=

No.	Lev.	Parts No.	Description	Qty						I	R
				(A)	(B)	(C)	(D)	(E)	(F)		
1	1	129944-12110	MANIFOLD, AIR INTAKE	1							
1-1	1	129944-12111 (A=E19171)	MANIFOLD, AIR INTAKE	1	1	1					R
2	1	129907-12110	GASKET, MANIFOLD	1	1	1					
3	1	26106-080452	BOLT, M8X 45 PLATED	8	8	8					
4	1	26106-080802	BOLT, M8X 80 PLATED	2	2	2					
5	1	129944-12230	PIPE, AIR INTAKE	1	1	1					
6	1	26106-080902	BOLT, M8X 90 PLATED	2	2	2					
7	1	129933-12500	AIR CLEANER ASSY	1	1	1					
8	2	129935-12520	ELEMENT, OUTER	1	1	1					
9	2	119160-12530	COVER ASSY	1	1	1					
10	2	119160-12540	VALVE	1	1	1					
11	2	121820-12590	NIPPLE	1	1	1					
12	1	129944-12620	BRACKET, CLEANER	1	1	1					
13	1	119129-77020	GASKET	1	1	1					
14	1	121850-77021	GASKET, AIR HEATER	1	1	1					
15	1	119005-77050	HEATER, AIR	1							
15-1	1	119005-77051	HEATER, AIR	1	1	1					N
		(A=E75456)									
16	1	119129-77520	BEND	1	1	1					
17	1	26106-080402	BOLT, M8X 40 PLATED	2	2	2					
18	1	23000-080000	CLAMP, 80	1	1	1					W
		(A=E46933)									
19	1	23000-090000	CLAMP, 90		1						W
		(A=E46933)									
19-1	1	23000-102000	CLAMP, 102	1	1	1					R
		(A=EXXXXX)									

Fig.6. EXHAUST MANIFOLD

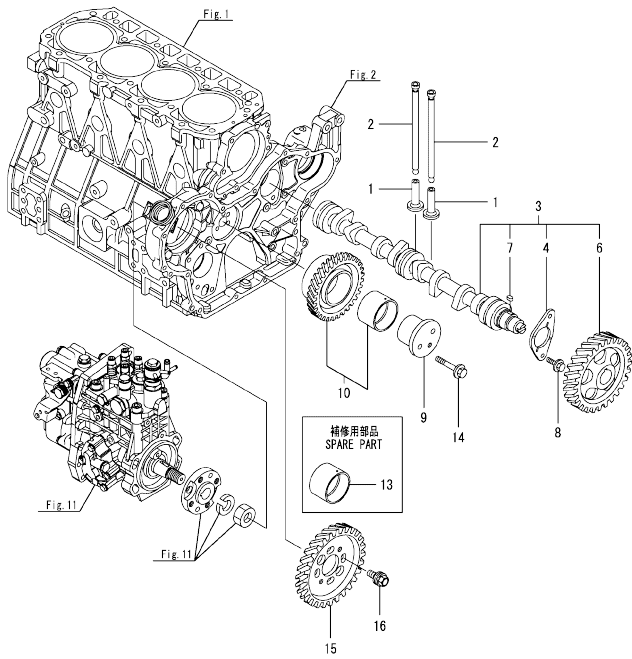


(A)=4TNV98-GGEH  
(B)=4TNV98-GGEHR  
(C)=4TNV98-IGEHR

(D)=  
(E)=  
(F)=

No.	Lev.	Parts No.	Description	Q'ty						I	R
				(A)	(B)	(C)	(D)	(E)	(F)		
1	1	129907-13200	MANIFOLD, EXHAUST	1	1						
1-1	1	129907-13201 (A=EL4889) (B=EL5735)	MANIFOLD, EXHAUST	1	1	1					R
2	1	129930-13201	GASKET, SILENCER	1	1	1					
3	1	129900-13251	GASKET, EXH.MANIFOLD	1	1	1					
4	1	123900-13610	BOLT, STUD M8X80	2	2	2					
5	1	123900-13630	BOLT, M8X80	6	6	6					
6	1	119131-18320	BOLT, STUD M8X22	4	4	4					
7	1	26306-080002	NUT, M8	2	2	2					

Fig.7. CAMSHAFT & DRIVING GEAR



(A)=4TNV98-GGEH  
(B)=4TNV98-GGEHR  
(C)=4TNV98-IGEHR

(D)=  
(E)=  
(F)=

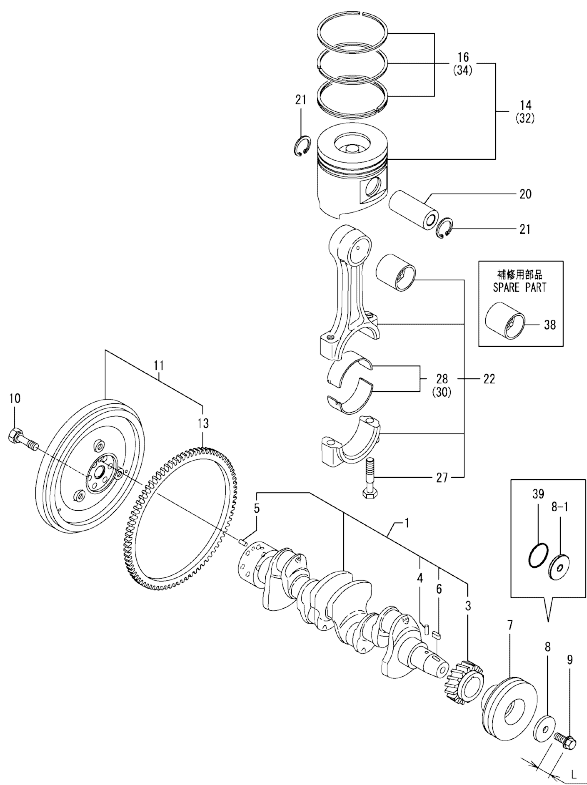
No.	Lev.	Parts No.	Description	Q'ty						I	R
				(A)	(B)	(C)	(D)	(E)	(F)		
1	1	129150-14200	TAPPET	8	8	8					
2	1	129907-14400	PUSH-ROD	8	8	8					
3	1	129907-14581	CAMSHAFT ASSY	1							
3-1	1	129908-14581	CAMSHAFT ASSY	1	1	1					N
4	2	129150-02450	BEARING, THRUST	1	1	1					
6	2	129900-14100	GEAR, CAMSHAFT	1	1	1					
7	2	22512-070140	KEY, 7X 14	1	1	1					
8	1	26106-080162	BOLT, M8X 16 PLATED	2	2	2					
9	1	123900-25060	SHAFT, IDLE GEAR	1	1	1					
10	1	129900-25100	GEAR ASSY, IDLE	1	1	1					
13	1	129150-25920	BUSH, IDLE GEAR	1	1	1					1
14	1	26106-080552	BOLT, M8X 55 PLATED	3	3	3					
15	1	129907-25900	GEAR, PUMP	1	1	1					
16	1	129953-25300	BOLT	4	4	4					

Remarks  
(1)Spare part.

Fig.8. CRANKSHAFT & PISTON

(A)=4TNV98-GGEH  
(B)=4TNV98-GGEHR  
(C)=4TNV98-IGEHR

(D)=  
(E)=  
(F)=



No.	Lev.	Parts No.	Description	Qty						I	R
				(A)	(B)	(C)	(D)	(E)	(F)		
1	1	129902-21000	CRANKSHAFT ASSY	1	1	1					
3	2	129900-21200	GEAR, CRANKSHAFT	1	1	1					
4	2	121850-21290	PIN	1	1	1					
5	2	121850-21920	PIN, PARALLEL 10X22	1	1	1					
6	2	22512-070140	KEY, 7X 14	1	1	1					
7	1	129907-21660	V-PULLEY, CRANK 130	1	1	1					
8	1	129900-21640	WASHER	1	1	1					
8-1	1	129960-21940 (A=E134946) (B=E135263) (C=E134444)	WASHER, V-PULLEY	1	1	1					N
9	1	121850-21680	BOLT	1							
9-1	1	129916-21610 (A=EA7900)	BOLT	1	1	1					S 4
10	1	121850-21130	BOLT, FLYWHEEL	6	6	6					
11	1	129920-21580	FLYWHEEL ASSY	1	1	1					
13	2	127410-21480	GEAR, RING Z=129	1	1	1					
14	1	129907-22090	PISTON ASSY, 18.5	4	4	4					
16	2	129907-22050	RING SET, PISTON	4							
16-1	2	129907-22051 (A=EE5767)	RING SET, PISTON	4	4	4					R
20	1	120130-22301	PIN, PISTON	4	4	4					
21	1	22252-000300	RING, 30	8	8	8					
22	1	129900-23001	ROD ASSY, CONNECTING	4	4	4					
27	2	129900-23200	BOLT, CONNECTING ROD	8	8	8					
28	2	129900-23601	BEARING, CRANK PIN	4	4	4					
30	1	129900-23611	BEARING ASSY, 0.25US	4	4	4					2
32	1	729907-22910	PISTON ASSY, 0.25 OS	4	4	4					3
34	2	729907-22950	RING SET, 0.25 OS	4	4	4					3
38	1	129900-23911	BEARING, PISTON PIN	4	4	4					1
39	1	129960-21930 (A=E134946) (B=E135263) (C=E134444)	GASKET, WASHER	1	1	1					W

Remarks

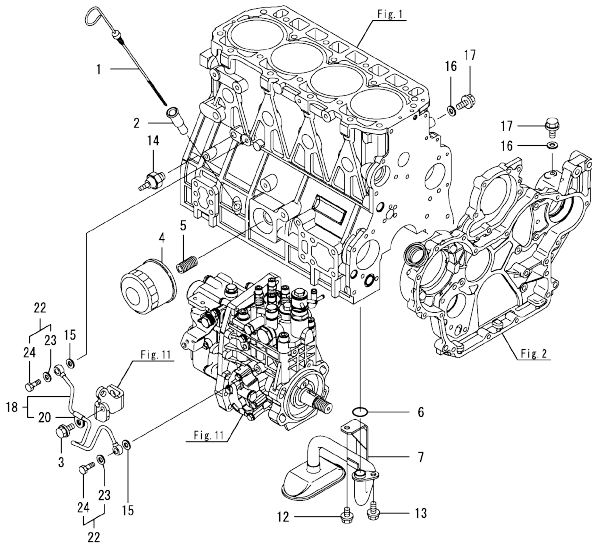
- (1) Spare part.
- (2) Under-sized (U.S.=0.25) part.
- (3) Over-sized (O.S.=0.25) part.
- (4) L=Ref.No.9 30M/M,9-1 35M/M.

Fig.9. LUB. OIL SYSTEM

(A)=4TNV98-GGEH  
(B)=4TNV98-GGEHR  
(C)=4TNV98-IGEHR

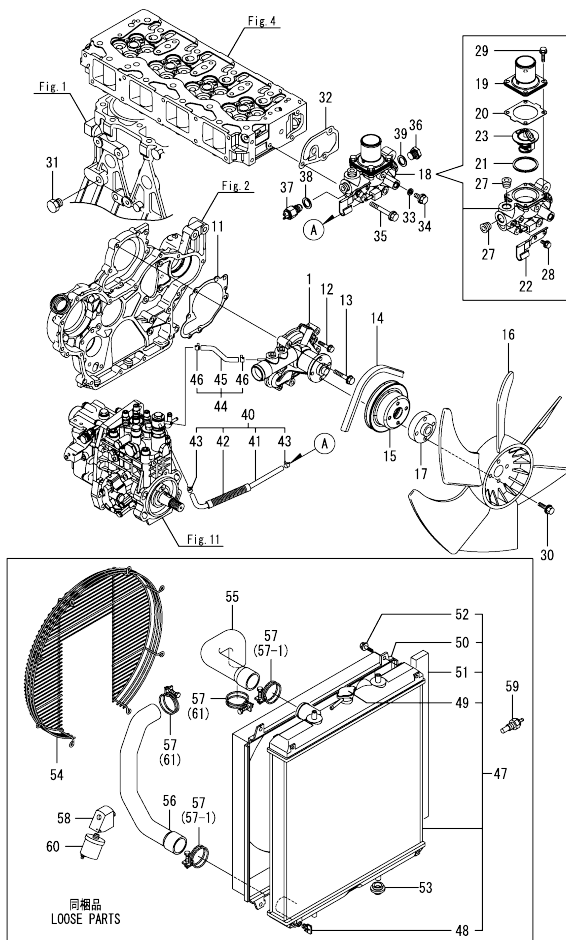
(D)=  
(E)=  
(F)=

No.	Lev.	Parts No.	Description	Q'ty						I	R
				(A)	(B)	(C)	(D)	(E)	(F)		
1	1	129953-34830	DIPSTICK	1	1	1					
2	1	121520-34810	GUIDE, DIPSTICK	1	1	1					
3	1	26106-080122	BOLT, M8X 12 PLATED	1	1	1					
4	1	129150-35170	FILTER,LO	1	1	1					
5	1	119000-35140	BOLT, STUD FILTER	1	1	1					
6	1	129900-32030	O-RING, P20	1	1	1					
7	1	129953-35000	PIPE ASSY, OIL INLET	1	1	1					
12	1	26106-080122	BOLT, M8X 12 PLATED	1	1	1					
13	1	26106-080162	BOLT, M8X 16 PLATED	1	1	1					
14	1	114250-39450	SWITCH, HYDRAULIC	1	1	1					
15	1	22190-080002	WASHER, SEAL 6	2	2	2					
16	1	22190-080002	WASHER, SEAL 6	2	2	2					
17	1	26106-080122	BOLT, M8X 12 PLATED	2	2	2					
18	1	129907-39061	PIPE ASSY, OIL	1	1	1					
20	2	123907-39500	RETAINER, PIPE	1	1	1					
22	1	129005-59830	BOLT ASSY, JOINT M8	2	2	2					
23	2	22190-080002	WASHER, SEAL 6	2	2	2					
24	2	23857-030000	BOLT, JOINT 3	2	2	2					



Remarks  
(1)Spare part.

Fig.10. COOLING WATER SYSTEM



No.	Lev.	Parts No.	Description	Q'ty						I	R
				(A)	(B)	(C)	(D)	(E)	(F)		
1	1	129907-42000	PUMP ASSY, WATER	1							
1-1	1	129907-42001 (A=EB4682)	PUMP ASSY, WATER	1	1	1					N
11	1	129900-42020	GASKET, WATER PUMP	1	1	1					
12	1	26106-060302	BOLT, M6X 30 PLATED	2	2	2					
13	1	26106-080552	BOLT, M8X 55 PLATED	5	5	5					
14	1	129052-42290	V-BELT, A40.5	1							
14-1	1	129940-42320 (A=E65175)	V-BELT, A41	1	1	1					R
15	1	129900-42461	V-PULLEY, C.W.PUMP	1							
15-1	1	129900-42462 (A=EJ2979)	V-PULLEY, PUMP	1	1	1					R
16	1	129916-44740	FAN, COOLING D=430	1	1	1					
17	1	119130-44760	SPACER, FAN	1	1	1					
18	1	129907-49800	CASE ASSY,THERMOSTAT	1	1	1					
19	2	129916-49530	COVER, THERMOSTAT	1	1	1					
20	2	121850-49540	GASKET, THERMOSTAT	1	1	1					
21	2	121850-49550	GASKET, THERMOSTAT	1	1	1					
22	2	129907-49730	RETAINER, PIPE	1	1	1					
23	2	121850-49810	THERMOSTAT, 71C	1							
23-1	2	121850-49811	THERMOSTAT, 71C	1	1	1					N
27	2	23875-030000	PLUG, R03	2	2	2					
28	2	26106-060122	BOLT, M6X 12 PLATED	1	1	1					
29	2	26106-060202	BOLT, M6X 20 PLATED	4	4	4					
30	1	26106-080302	BOLT, M8X 30 PLATED	4	4	4					
31	1	171056-49120	PLUG, DRAIN R1/4	1	1	1					
32	1	129900-49870	GASKET, THERMOSTAT	1	1	1					
33	1	23414-080000	GASKET, 8X1.0	1	1	1					
34	1	26106-080122	BOLT, M8X 12 PLATED	1	1	1					
35	1	26106-080602	BOLT, M8X 60 PLATED	3	3	3					
36	1	121450-42450	PLUG, M16	1	1	1					
37	1	121250-44901	SWITCH, THERMO 110	1	1	1					
38	1	124465-44950	GASKET, 16	1	1	1					
39	1	124465-44950	GASKET, 16	1	1	1					
40	1	129907-49610	HOSE ASSY, WATER	1	1	1					
41	2	129907-49710	HOSE, WATER	1	1	1					
42	2	129907-49750	TUBE, CORRUGATED	1	1	1					
43	2	124722-59050	CLAMP, HOSE 9	2	2	2					
44	1	129907-49620	HOSE ASSY, WATER	1	1	1					
45	2	129907-49720	HOSE, WATER	1	1	1					
46	2	124722-59050	CLAMP, HOSE 9	2	2	2					
47	1	129940-44500	RADIATOR ASSY	1	1	1					
48	2	129508-44550	COCK ASSY	1	1	1					
49	2	129107-44590	CAP, RADIATOR	1	1	1					
50	2	129907-44600	SHROUD	1	1	1					
51	2	129907-44610	GASKET	2	2	2					
52	2	26014-060122	BOLT, M6X 12	4	4	4					
53	1	119255-44660	ABSORBER	2	2	2					
54	1	129907-44560	GUARD, FAN	1	1	1					
55	1	129981-49050	HOSE, WATER	1	1	1					

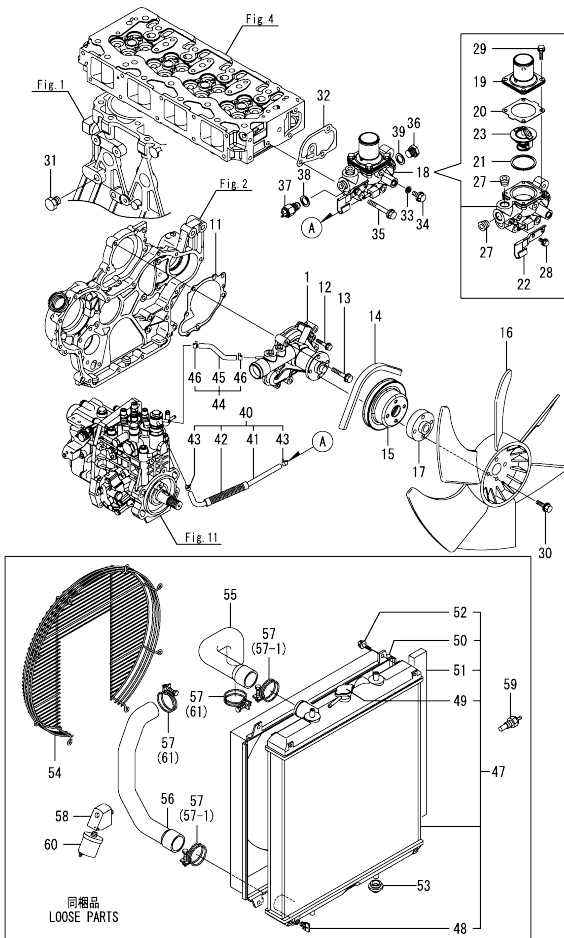
N:Old  $\frac{100}{100}$  New, Q:Old  $\frac{100}{100}$  New, R:Old  $\frac{100}{100}$  New, S:Old  $\frac{100}{100}$  New, W:Add, Z:Discontinued, F:Interchangeable by set, K:Q'ty Change  
 ++ CONTINUE ++  
 Copyright (C) YANMAR GLOBAL CS CO., LTD. All Rights Reserved.



Fig.10. COOLING WATER SYSTEM

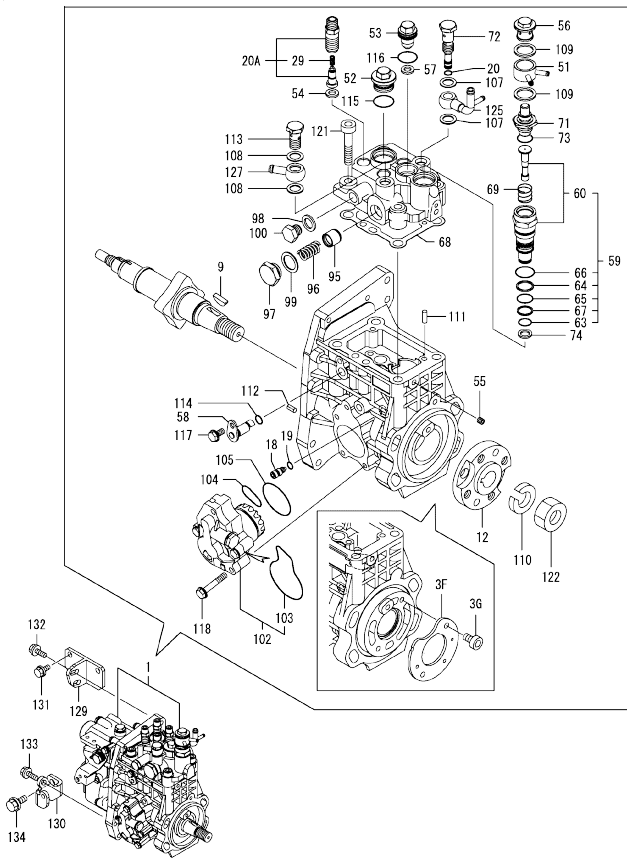
(A)=4TNV98-GGEH  
(B)=4TNV98-GGEHR  
(C)=4TNV98-IGEHR

(D)=  
(E)=  
(F)=



No.	Lev.	Parts No.	Description	Q'ty						I	R
				(A)	(B)	(C)	(D)	(E)	(F)		
56	1	129981-49061	PIPE, WATER	1							
56-1	1	129981-49062 (A=E40940)	HOSE, WATER	1	1	1					N
57	1	23010-060000	CLAMP, 60	4							
57-1	1	23010-060000 (A=E46933)	CLAMP, 60	2	2	2					K
58	1	129915-39600 (A=E46933)	DAMPER, R1/8	1							Z
59	1	124250-49351 (A=E41248)	SENSOR, WATER TEMP.	1							Z
60	1	119773-91501 (A=E41248)	SENSOR, PRESSURE	1							Z
61	1	23010-050000 (A=E46933)	CLAMP, 50	2	2	2					W

Fig.11. FUEL INJECTION PUMP



(A)=4TNV98-GGEH  
(B)=4TNV98-GGEHR  
(C)=4TNV98-IGEHR

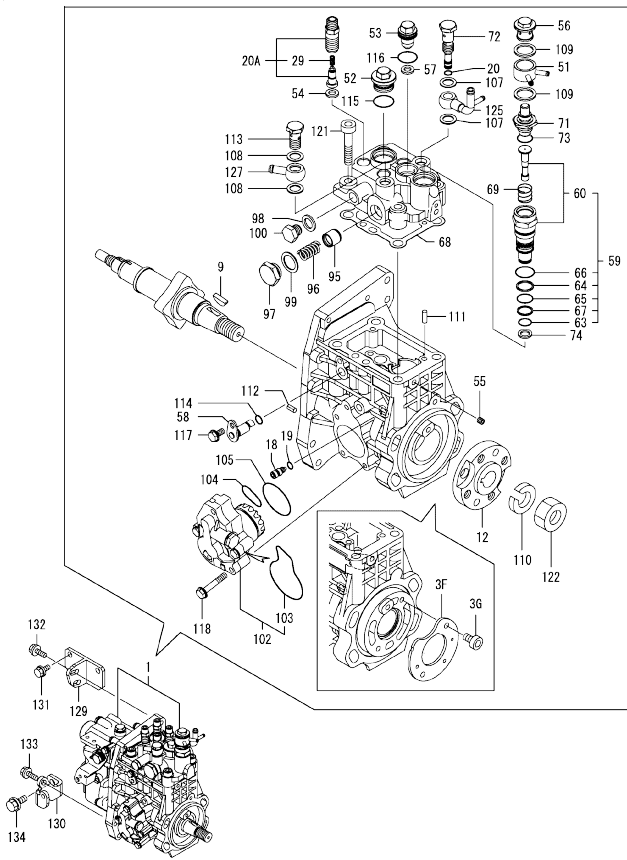
(D)=  
(E)=  
(F)=

No.	Lev.	Parts No.	Description	Q'ty						I	R	
				(A)	(B)	(C)	(D)	(E)	(F)			
1	1	729946-51390	FIE ASSY	1	1							
3F	2	129928-51900 (A=EB1860)	COVER	1	1							W
3G	2	129008-51920 (A=EB1860)	BOLT, SOCKET M6X10	2	2							W
9	2	144626-51090	FEATHER KEY, 5X19	1	1							
12	2	158563-51150	FLANGE	1	1							
18	2	158600-51270	STOPPER, TAPPET	1	1							
19	2	158563-51281	O-RING, 4D S6	1	1							
20	2	158563-51281	O-RING, 4D S6	1	1							
20A	2	129509-51390	VALVE ASSY, DELIVERY	4	4							
29	3	158563-51330	SPRING, DELIVERY	4	4							
51	2	158553-51551	JOINT, COOLING WATER	1	1							
52	2	158601-51550	PLUG, M22	1	1							
53	2	129907-51560	PLUG, M16	1	1							
54	2	158552-51570	GASKET, PLUG	4								
54-1	2	158552-51571 (A=E78017)	GASKET, PLUG	4	4							R
55	2	158557-51570	PLUG, RACK	1	1							
56	2	158601-51570	PLUG	1	1							
57	2	129906-51580	GASKET, PLUG	1	1							
58	2	158552-51580	LIFTER, LINK	1	1							
59	2	119802-51590	TIMER ASSY	1	1							
60	3	119802-51600	TIMER ASSY	1	1							
63	3	158553-51670	O-RING	1	1							
64	3	119802-51680	RING, BACKUP	1	1							
65	3	119802-51690	O-RING	1	1							
66	3	24356-010200	O-RING, 4D1020	1								
66-1	3	24356-190200 (A=EXXXXX)	O-RING, 4D19020	1	1							R
67	3	24372-000150	RING, BACK UP T2P15	1	1							
68	2	158560-51600	GASKET	1	1							
69	2	158553-51630	SPRING, TIMER	1	1							
71	2	158553-51640	THERMOELEMENT	1	1							
72	2	158601-51650	JOINT, OVER FLOW	1	1							
73	2	158553-51660	O-RING, P14	1	1							
74	2	158553-51680	GASKET, TIMER	1	1							
95	2	158601-51770	PISTON, ACCUMULATOR	1	1							
96	2	158552-51781	SPRING, ACCUMULATOR	1	1							
97	2	158601-51790	PLUG	1	1							
98	2	22190-120002	WASHER, SEAL 12	1	1							
99	2	22190-180002	WASHER, SEAL 18	1	1							
100	2	23887-120002	PLUG, 12	1								
100-1	2	158553-51930 (A=EA7900)	PLUG, M12	1	1							R
102	2	158552-52100	PUMP ASSY, FUEL FEED	1	1							
103	3	158552-52500	O-RING	1	1							
104	2	158552-52310	O-RING	1								
104-1	2	158552-52311 (A=EB2344)	O-RING	1	1							R
105	2	158552-52400	O-RING, 4E S42	1	1							

Remarks  
(1)Governor(Fig.12)is incorporated in this Fuel Injection Pump (Ref.1).

N:Old  $\frac{New}{Old}$  New, Q:Old  $\frac{New}{Old}$  New, R:Old  $\frac{New}{Old}$  New, S:Old  $\frac{New}{Old}$  New, W:Add, Z:Discontinued, F:Interchangeable by set, K:Q'ty Change  
++ CONTINUE ++  
Copyright (C) YANMAR GLOBAL CS CO., LTD. All Rights Reserved.

Fig.11. FUEL INJECTION PUMP



(A)=4TNV98-GGEH  
(B)=4TNV98-GGEHR  
(C)=4TNV98-IGEHR

(D)=  
(E)=  
(F)=

No.	Lev.	Parts No.	Description	Q'ty						I	R
				(A)	(B)	(C)	(D)	(E)	(F)		
107	2	22190-120002	WASHER, SEAL 12	2	2						
108	2	22190-120002	WASHER, SEAL 12	2	2						
109	2	22190-180002	WASHER, SEAL 18	2	2						
110	2	22217-180000	WASHER, SPRING 18	1	1						
111	2	22312-050140	PIN, PARALLEL M5X14	2	2						
112	2	22351-050010	PIN, SPRING 5.0X10	2	2						
113	2	23857-060000	BOLT, JOINT 6	1	1						
114	2	24311-000070	O-RING, 1AP7.0	1	1						
115	2	24356-010200	O-RING, 4D1020	1							
115-1	2	24356-190200	O-RING, 4D19020	1	1						R
		(A=EXXXXX)									
116	2	24356-020210	O-RING, 4D2021	1							
116-1	2	24356-240210	O-RING, 4D24021	1	1						R
		(A=EXXXXX)									
117	2	26106-060102	BOLT, M6X 10 PLATED	1	1						
118	2	26106-060352	BOLT, M6X 35 PLATED	4	4						
121	2	26450-100452	BOLT, M10X 45	4	4						
122	2	26776-180002	NUT, LOCK M18	1	1						
125	2	158552-51670	JOINT, OVER FLOW	1	1						
127	2	129916-59020	JOINT, PIPE 12	1	1						
129	1	129907-01950	RETAINER, PUMP	1	1						
130	1	129907-01960	RETAINER, PUMP	1	1						
131	1	26106-080162	BOLT, M8X 16 PLATED	2	2						
132	1	26106-080222	BOLT, M8X 22 PLATED	2	2						
133	1	26106-080222	BOLT, M8X 22 PLATED	1	1						
134	1	26106-100202	BOLT, M10X 20 PLATED	1	1						

Remarks  
(1)Governor(Fig.12)is incorporated in this Fuel Injection Pump (Ref.1).

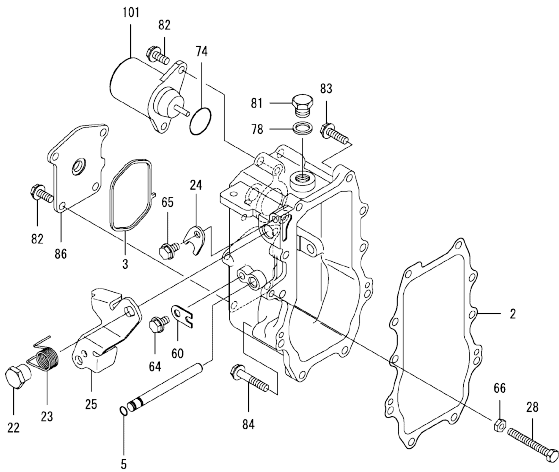
N:Old  $\frac{100}{100}$  New, Q:Old  $\frac{100}{100}$  New, R:Old  $\frac{100}{100}$  New, S:Old  $\frac{100}{100}$  New, W:Add, Z:Discontinued, F:Interchangeable by set, K:Q'ty Change  
Copyright (C) YANMAR GLOBAL CS CO., LTD. All Rights Reserved.

Fig.12. GOVERNOR

(A)=4TNV98-GGEH  
(B)=4TNV98-GGEHR  
(C)=4TNV98-IGEHR

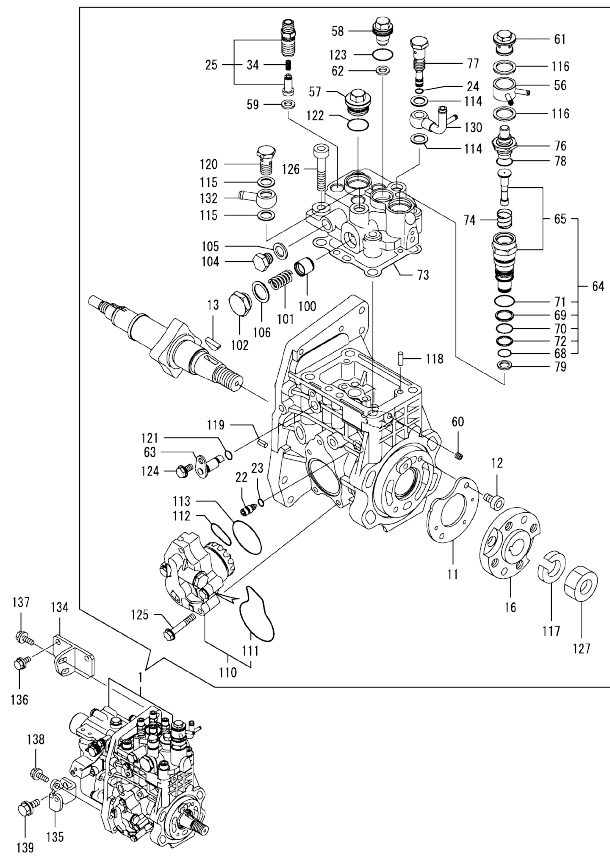
(D)=  
(E)=  
(F)=

No.	Lev.	Parts No.	Description	Q'ty						I	R
				(A)	(B)	(C)	(D)	(E)	(F)		
2	2	158560-61050	GASKET	1	1						
3	2	158560-61071	GASKET	1	1						
5	2	129155-51280	O-RING, S6	1	1						
22	2	129255-61410	NUT, M8	1	1						
23	2	119807-61420	SPRING, RETURN	1	1						
24	2	158560-61430	STOPPER, SHAFT	1	1						
25	2	129937-61440	LEVER, REGULATOR	1	1						
28	2	129155-61460	BOLT, LIMITING	1	1						
60	2	119660-61901	STOPPER, SHAFT	1	1						
64	2	26106-060102	BOLT, M6X 10 PLATED	1	1						
65	2	26106-060102	BOLT, M6X 10 PLATED	1	1						
66	2	26756-060002	NUT, LOCK M6	1	1						
74	2	158552-61900	O-RING	1	1						
78	2	22190-160002	WASHER, SEAL 16	1	1						
81	2	23887-160002	PLUG, 16	1	1						
82	2	26106-060142	BOLT, M6X 14 PLATED	6	6						
83	2	26106-060252	BOLT, M6X 25 PLATED	8	8						
84	2	26106-060402	BOLT, M6X 40 PLATED	2	2						
86	2	129946-61061	COVER, GOVERNOR CASE	1	1						
101	2	119653-77950	SOLENOID, STOP	1	1						



Remarks  
\*This figure(Governor)is incorporated  
in the Fuel Injection Pump (Fig.11).

Fig.19. FUEL INJECTION PUMP



(A)=4TNV98-GGEH  
(B)=4TNV98-GGEHR  
(C)=4TNV98-IGEHR

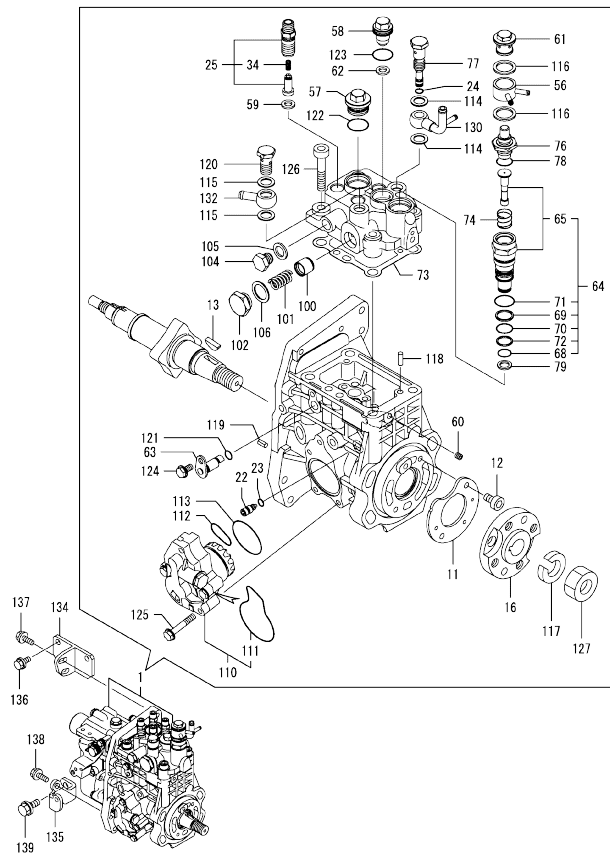
(D)=  
(E)=  
(F)=

No.	Lev.	Parts No.	Description	Qty						I	R
				(A)	(B)	(C)	(D)	(E)	(F)		
1	1	729946-51320	PUMP ASSY, INJECTION			1					1
11	2	129928-51900	COVER			1					
12	2	129008-51920	BOLT, SOCKET M6X10			2					
13	2	144626-51090	FEATHER KEY, 5X19			1					
16	2	158563-51150	FLANGE			1					
22	2	158600-51270	STOPPER, TAPPET			1					
23	2	158563-51281	O-RING, 4D S6			1					
24	2	158563-51281	O-RING, 4D S6			1					
25	2	129509-51390	VALVE ASSY, DELIVERY			4					
34	3	158563-51330	SPRING, DELIVERY			4					
56	2	158553-51551	JOINT, COOLING WATER			1					
57	2	158601-51550	PLUG, M22			1					
58	2	129907-51560	PLUG, M16			1					
59	2	158552-51571	GASKET, PLUG			4					
60	2	158557-51570	PLUG, RACK			1					
61	2	158601-51570	PLUG			1					
62	2	129906-51580	GASKET, PLUG			1					
63	2	158552-51580	LIFTER, LINK			1					
64	2	119802-51590	TIMER ASSY			1					
65	3	119802-51600	TIMER ASSY			1					
68	3	158553-51670	O-RING			1					
69	3	119802-51680	RING, BACKUP			1					
70	3	119802-51690	O-RING			1					
71	3	24356-190200	O-RING, 4D19020			1					
72	3	24372-000150	RING, BACK UP T2P15			1					
73	2	158560-51600	GASKET			1					
74	2	158553-51630	SPRING, TIMER			1					
76	2	158553-51640	THERMOELEMENT			1					
77	2	158601-51650	JOINT, OVER FLOW			1					
78	2	158553-51660	O-RING, P14			1					
79	2	158553-51680	GASKET, TIMER			1					
100	2	158601-51770	PISTON, ACCUMULATOR			1					
101	2	158552-51781	SPRING, ACCUMULATOR			1					
102	2	158601-51790	PLUG			1					
104	2	158553-51930	PLUG, M12			1					
105	2	22190-120002	WASHER, SEAL 12			1					
106	2	22190-180002	WASHER, SEAL 18			1					
110	2	158552-52100	PUMP ASSY, FUEL FEED			1					
111	3	158552-52500	O-RING			1					
112	2	158552-52311	O-RING			1					
113	2	158552-52400	O-RING, 4E S42			1					
114	2	22190-120002	WASHER, SEAL 12			2					
115	2	22190-120002	WASHER, SEAL 12			2					
116	2	22190-180002	WASHER, SEAL 18			2					
117	2	22217-180000	WASHER, SPRING 18			1					
118	2	22312-050140	PIN, PARALLEL M5X14			2					
119	2	22351-050010	PIN, SPRING 5.0X10			2					
120	2	23857-060000	BOLT, JOINT 6			1					
121	2	24311-000070	O-RING, 1AP7.0			1					
122	2	24356-190200	O-RING, 4D19020			1					
123	2	24356-240210	O-RING, 4D24021			1					

Remarks  
(1)Governor(Fig.20)is incorporated in this Fuel Injection Pump (Ref.1).

N:Old  $\frac{New}{Old}$  New, Q:Old  $\frac{New}{Old}$  New, R:Old  $\frac{New}{Old}$  New, S:Old  $\frac{New}{Old}$  New, W:Add, Z:Discontinued, F:Interchangeable by set, K:Qty Change  
++ CONTINUE ++  
Copyright (C) YANMAR GLOBAL CS CO., LTD. All Rights Reserved.

Fig.19. FUEL INJECTION PUMP



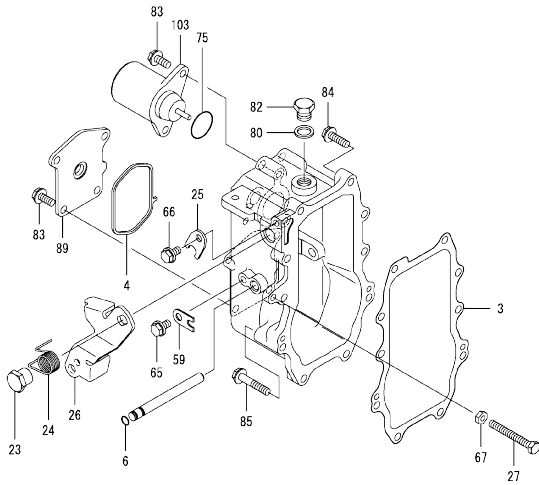
(A)=4TNV98-GGEH  
(B)=4TNV98-GGEHR  
(C)=4TNV98-IGEHR

(D)=  
(E)=  
(F)=

No.	Lev.	Parts No.	Description	Q'ty						I	R	
				(A)	(B)	(C)	(D)	(E)	(F)			
124	2	26106-060102	BOLT, M6X 10 PLATED							1		
125	2	26106-060352	BOLT, M6X 35 PLATED							4		
126	2	26450-100452	BOLT, M10X 45							4		
127	2	26776-180002	NUT, LOCK M18							1		
130	2	158552-51670	JOINT, OVER FLOW							1		
132	2	129916-59020	JOINT, PIPE 12							1		
134	1	129907-01950	RETAINER, PUMP							1		
135	1	129907-01960	RETAINER, PUMP							1		
136	1	26106-080162	BOLT, M8X 16 PLATED							2		
137	1	26106-080222	BOLT, M8X 22 PLATED							2		
138	1	26106-080222	BOLT, M8X 22 PLATED							1		
139	1	26106-100202	BOLT, M10X 20 PLATED							1		

Remarks  
(1)Governor(Fig.20)is incorporated in this Fuel Injection Pump (Ref.1).

Fig.20. GOVERNOR



(A)=4TNV98-GGEH  
(B)=4TNV98-GGEHR  
(C)=4TNV98-IGEHR

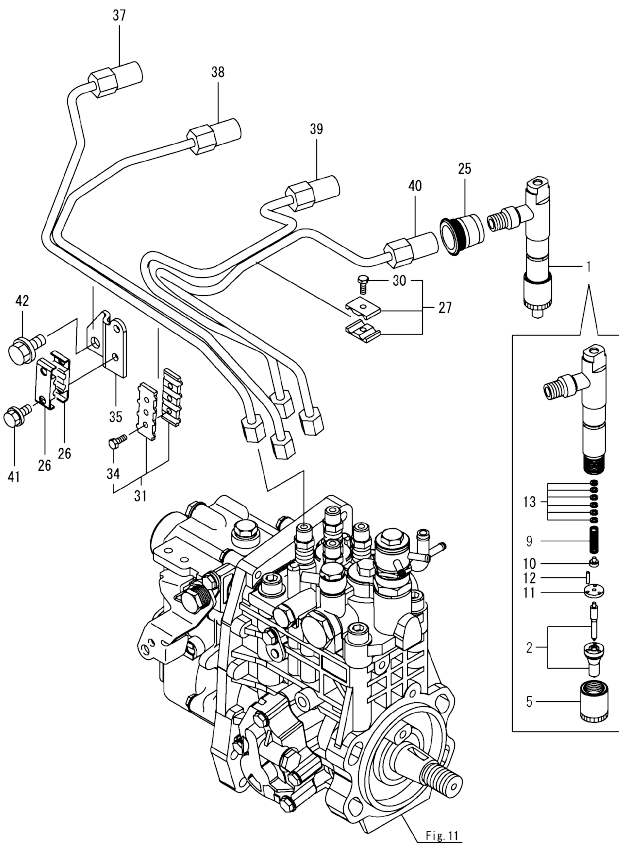
(D)=  
(E)=  
(F)=

No.	Lev.	Parts No.	Description	Q'ty						I	R	
				(A)	(B)	(C)	(D)	(E)	(F)			
3	2	158560-61050	GASKET								1	
4	2	158560-61071	GASKET								1	
6	2	129155-51280	O-RING, S6								1	
23	2	129255-61410	NUT, M8								1	
24	2	119807-61420	SPRING, RETURN								1	
25	2	158560-61430	STOPPER, SHAFT								1	
26	2	129937-61440	LEVER, REGULATOR								1	
27	2	129155-61460	BOLT, LIMITING								1	
59	2	119660-61901	STOPPER, SHAFT								1	
65	2	26106-060102	BOLT, M6X 10 PLATED								1	
66	2	26106-060102	BOLT, M6X 10 PLATED								1	
67	2	26756-060002	NUT, LOCK M6								1	
75	2	158552-61900	O-RING								1	
80	2	22190-160002	WASHER, SEAL 16								1	
82	2	23887-160002	PLUG, 16								1	
83	2	26106-060142	BOLT, M6X 14 PLATED								6	
84	2	26106-060252	BOLT, M6X 25 PLATED								8	
85	2	26106-060402	BOLT, M6X 40 PLATED								2	
89	2	129946-61061	COVER, GOVERNOR CASE								1	
103	2	119653-77950	SOLENOID, STOP								1	

Remarks  
\*This figure(Governor)is incorporated  
in the Fuel Injection Pump (Fig.19).

N:Old  $\frac{100}{100}$  New, Q:Old  $\frac{100}{100}$  New, R:Old  $\frac{100}{100}$  New, S:Old  $\frac{100}{100}$  New, W:Add, Z:Discontinued, F:Interchangeable by set, K:Q'ty Change  
Copyright (C) YANMAR GLOBAL CS CO., LTD. All Rights Reserved.

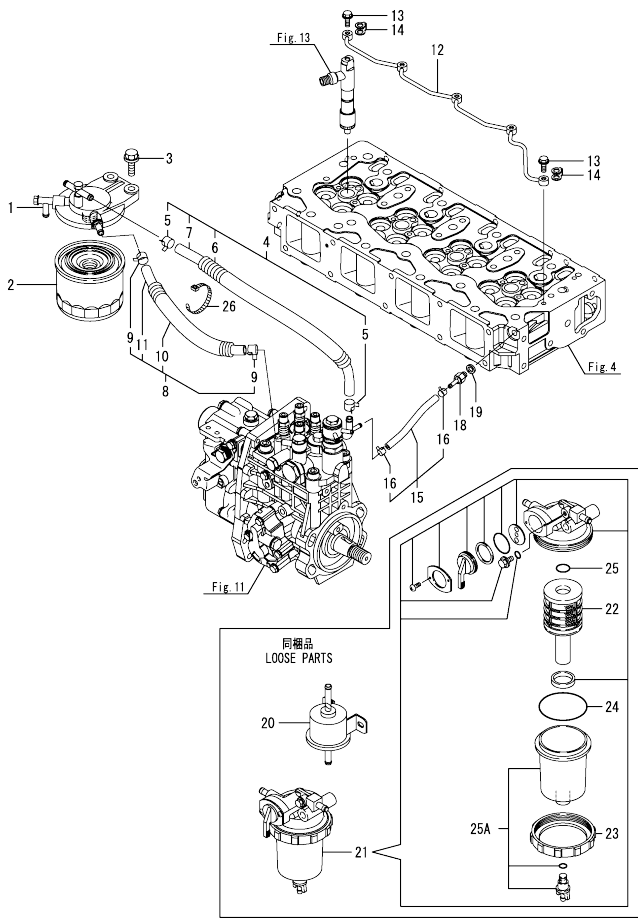
Fig.13. FUEL INJECTION VALVE



No.	Lev.	Parts No.	Description	Q'ty						I	R
				(A)	(B)	(C)	(D)	(E)	(F)		
1	1	729946-53300	FUEL INJECTOR ASSY	4	4	4					
2	2	129937-53000	NOZZLE ASSY, F.I.	4	4	4					
5	2	114250-53080	NUT, NOZZLE	4	4	4					
9	2	114250-53120	SPRING, NOZZLE	4	4	4					
10	2	114250-53130	SEAT, SPRING	4	4	4					
11	2	114250-53140	SPACER	4	4	4					
12	2	114250-53210	PIN	8	8	8					
13	2	114250-53400	SHIM SET	4							
13-1	2	119803-53400	SHIM SET	4	4	4					R
(A=E95550)											
25	1	123907-11601	SEAL, PIPE	4	4	4					
26	1	122780-59100	RETAINER	2	2	2					
27	1	119305-59120	RETAINER, PIPE	1	1	1					
30	2	129150-59131	BOLT, M4X14	1	1	1					
31	1	129550-59120	RETAINER, PIPE	1	1	1					
34	2	129150-59131	BOLT, M4X14	2	2	2					
35	1	129907-59710	SUPPORT	1	1	1					
37	1	129907-59810	PIPE ASSY, INJECTION	1	1	1					
38	1	129907-59820	PIPE ASSY, INJECTION	1	1	1					
39	1	129907-59830	PIPE ASSY, INJECTION	1	1	1					
40	1	129907-59840	PIPE ASSY, INJECTION	1	1	1					
41	1	26106-060162	BOLT, M6X 16 PLATED	2	2	2					
42	1	26106-080182	BOLT, M8X 18 PLATED	1	1	1					



Fig.14. FUEL LINE



(A)=4TNV98-GGEH  
(B)=4TNV98-GGEHR  
(C)=4TNV98-IGEHR

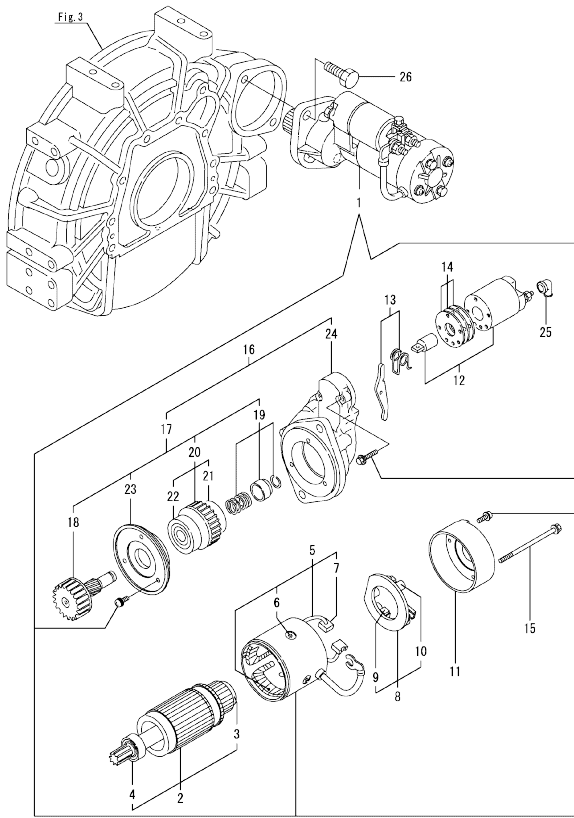
(D)=  
(E)=  
(F)=

No.	Lev.	Parts No.	Description	Q'ty						I	R
				(A)	(B)	(C)	(D)	(E)	(F)		
1	1	129004-55612	BRACKET, FILTER	1	1	1					
2	1	119802-55810	FILTER,FO	1	1	1					
3	1	26106-080302	BOLT, M8X 30 PLATED	2	2	2					
4	1	129457-59010	HOSE ASSY, FUEL	1	1	1					
5	2	124766-59050	CLAMP, HOSE 11.5	2	2	2					
6	2	129957-59120	TUBE, CORRUGATED 15	1	1	1					
7	2	105025-59750	HOSE, FUEL	1	1	1					
8	1	129981-59010	HOSE ASSY, FUEL	1	1	1					
9	2	124766-59050	CLAMP, HOSE 11.5	2	2	2					
10	2	129950-59221	TUBE, CORRUGATED 15	1	1	1					
11	2	129980-59510	HOSE, FUEL	1	1	1					
12	1	129907-59140	PIPE ASSY, RETURN	1	1	1					
13	1	123907-59540	BOLT, PIPE JOINT M6	5	5	5					
14	1	123907-59550	GASKET	5	5	5					
15	1	129486-59551	HOSE ASSY, RETURN	1	1	1					
16	2	124722-59050	CLAMP, HOSE 9	2	2	2					
18	1	123907-59560	JOINT, HOSE	1	1	1					
19	1	22190-080002	WASHER, SEAL 6	1	1	1					
20	1	119225-52102	PUMP, FUEL FEED	1	1	1					
21	1	119802-55700	SEPARATOR ASSY,WATER	1	1	1					
22	2	119802-55710	ELEMENT	1	1	1					
23	2	129100-55690	RING, CUP RETAINING	1	1	1					
24	2	24321-000650	O-RING, 1AG65.0	1	1	1					
25	2	24311-000160	O-RING, 1AP16.0	1	1	1					
25A	2	119802-55730	CUP ASSY, SEPARATOR	1	1	1					
26	1	121750-59890	BAND, NYLON	1	1	1					

Fig.15. STARTING MOTOR

(A)=4TNV98-GGEH  
(B)=4TNV98-GGEHR  
(C)=4TNV98-IGEHR

(D)=  
(E)=  
(F)=



No.	Lev.	Parts No.	Description	Qty						I	R
				(A)	(B)	(C)	(D)	(E)	(F)		
1	1	129900-77010	STARTER ASSY	1							
1-1	1	129900-77040 (A=EA7900)	STARTER ASSY	1							R 1
2	2	129900-77400 (A=EA7900)	ARMATURE ASSY	1							Z
3	3	X2114155110 (A=EA7900)	BEARING, BALL	1							Z
4	3	X2114255110 (A=EA7900)	BEARING, BALL	1							Z
5	2	129900-77440 (A=EA7900)	COIL ASSY, FIELD	1							Z
6	3	171008-77450 (A=EA7900)	SCREW, CORE SET	4							Z
7	3	129900-77450 (A=EA7900)	BRUSH	2							Z
8	2	129900-77480 (A=EA7900)	HOLDER ASSY, BRUSH	1							Z
9	3	129900-77450 (A=EA7900)	BRUSH	2							Z
10	3	X2130631300 (A=EA7900)	SPRING, BRUSH	4							Z
11	2	129900-77460 (A=EA7900)	COVER	1							Z
12	2	129900-77591 (A=EA7900)	SWITCH ASSY, MAGNET	1							Z
13	2	129900-77620 (A=EA7900)	LEVER SET	1							Z
14	2	129900-77650 (A=EA7900)	COVER KIT, DUST	1							Z
15	2	129900-77640 (A=EA7900)	BOLT, THROUGH	2							Z
16	2	129900-77700 (A=EA7900)	CASE ASSY, GEAR	1							Z
17	3	129900-77510 (A=EA7900)	PINION ASSY,W/CLUTCH	1							Z
18	4	129900-77540 (A=EA7900)	SHAFT, PINION	1							Z
19	4	129900-77550 (A=EA7900)	STOPPER SET, PINION	1							Z
20	4	129900-77520 (A=EA7900)	CLUTCH ASSY	1							Z
21	5	171008-77730 (A=EA7900)	BEARING, BALL	1							Z
22	5	171008-77740 (A=EA7900)	BEARING, BALL	1							Z
23	4	129900-77610 (A=EA7900)	RETAINER, BEARING	1							Z
24	3	129900-77710 (A=EA7900)	CASE, GEAR	1							Z
25	2	171008-77750 (A=EA7900)	COVER, TERMINAL	1							Z

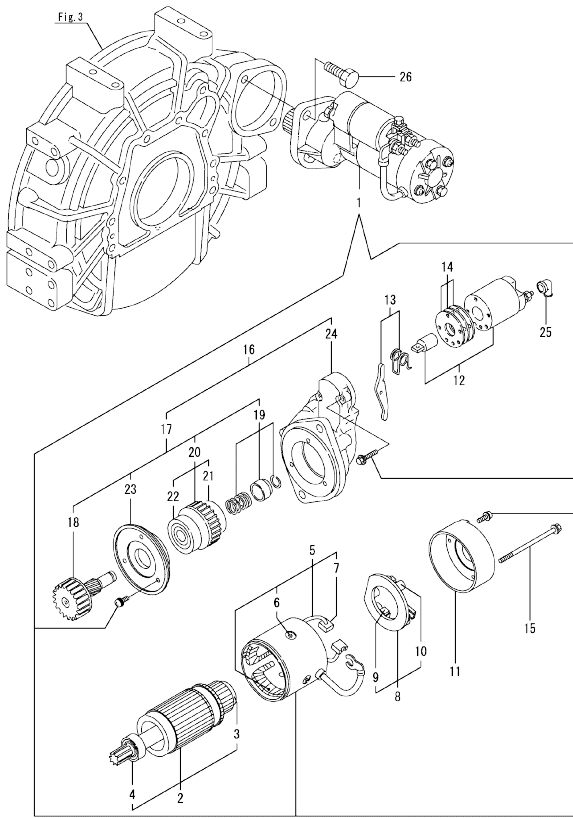
Remarks  
\*This item is applicable to  
[(A)=EA7899] or previous machines.  
(1)Refer to Fig.18.

Fig.15. STARTING MOTOR

(A)=4TNV98-GGEH  
 (B)=4TNV98-GGEHR  
 (C)=4TNV98-IGEHR

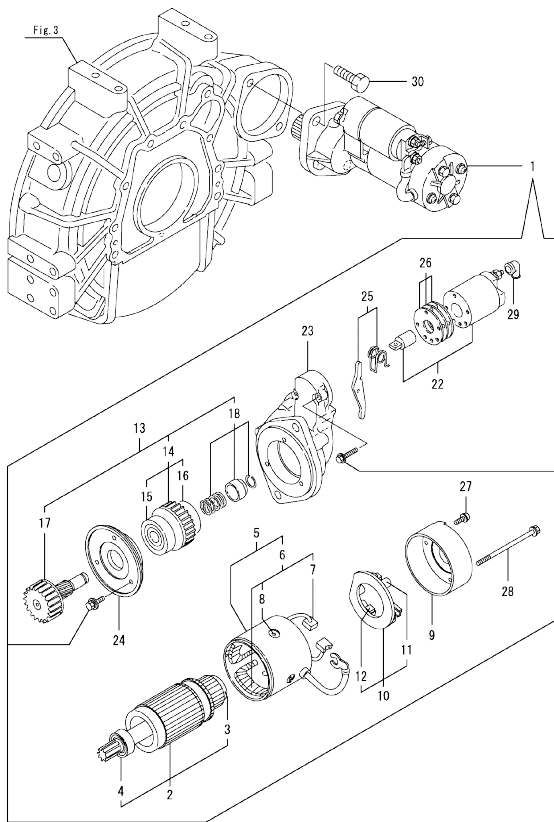
(D)=  
 (E)=  
 (F)=

No.	Lev.	Parts No.	Description	Q'ty						I	R
				(A)	(B)	(C)	(D)	(E)	(F)		
26	1	26116-120302 (A=EA7900)	BOLT, M12X 30 PLATED	2							Z



Remarks  
 \*This item is applicable to  
 [(A)=EA7899] or previous machines.  
 (1)Refer to Fig.18.

Fig.18. STARTING MOTOR



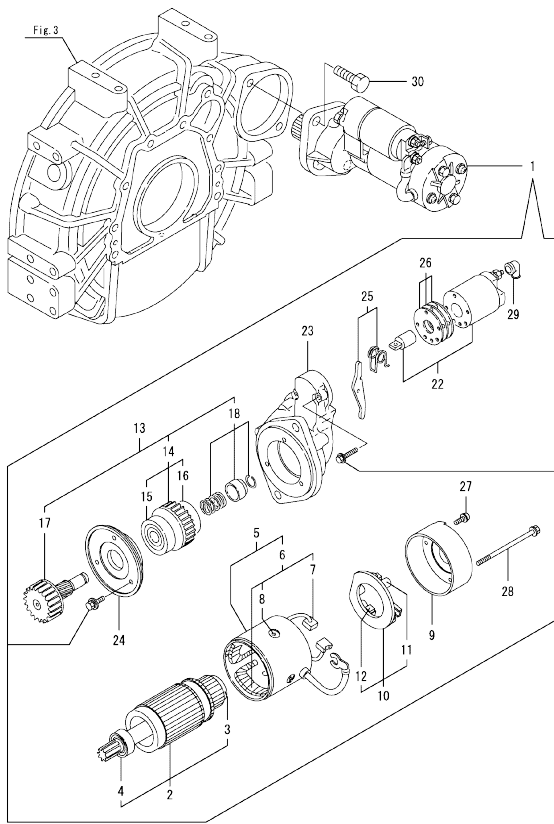
(A)=4TNV98-GGEH  
(B)=4TNV98-GGEHR  
(C)=4TNV98-IGEHR

(D)=  
(E)=  
(F)=

No.	Lev.	Parts No.	Description	Qty						I	R
				(A)	(B)	(C)	(D)	(E)	(F)		
1	1	129900-77040 (A=EA7900)	STARTER ASSY	1	1	1					W
2	2	129900-77120 (A=EA7900)	ARMATURE ASSY	1	1	1					W
3	3	171008-77410 (A=EA7900)	BEARING, BALL	1	1	1					W
4	3	171008-77420 (A=EA7900)	BEARING, BALL	1	1	1					W
5	2	129900-77130 (A=EA7900)	YOKE ASSY	1	1	1					W
6	3	129900-77140 (A=EA7900)	COIL ASSY, FIELD	1	1	1					W
7	4	129900-77450 (A=EA7900)	BRUSH	2	2	2					W
8	4	171008-77450 (A=EA7900)	SCREW, CORE SET	4	4	4					W
9	2	129900-77150 (A=EA7900)	COVER	1	1	1					W
10	2	129900-77160 (A=EA7900)	HOLDER ASSY, BRUSH	1	1	1					W
11	3	X2130631300 (A=EA7900)	SPRING, BRUSH	4	4	4					W
12	3	129900-77450 (A=EA7900)	BRUSH	2	2	2					W
13	2	129900-77170 (A=EA7900)	CLUTCH ASSY	1	1	1					W
14	3	129900-77180 (A=EA7900)	CLUTCH ASSY	1	1	1					W
15	4	129900-77190 (A=EA7900)	BEARING, BALL	1	1	1					W
16	4	X2114955020 (A=EA7900)	BEARING, BALL	1	1	1					W
17	3	129900-77270 (A=EA7900)	SHAFT, PINION	1	1	1					W
18	3	171008-77670 (A=EA7900)	STOPPER SET, PINION	1	1	1					W
22	2	129900-77280 (A=EA7900)	SWITCH ASSY, MAGNET	1	1	1					W
23	2	129900-77290 (A=EA7900)	CASE, GEAR	1	1	1					W
24	2	129900-77380 (A=EA7900)	RETAINER, BEARING	1	1	1					W
25	2	129900-77390 (A=EA7900)	LEVER ASSY, SHIFT	1	1	1					W
26	2	129900-77420 (A=EA7900)	COVER KIT, DUST	1	1	1					W
27	2	129900-77430 (A=EA7900)	SCREW, M4X10	2	2	2					W
28	2	129685-77640 (A=EA7900)	BOLT, THROUGH	2	2	2					W
29	2	171008-77750 (A=EA7900)	COVER, TERMINAL	1	1	1					W

Remarks  
\*This item is applicable to  
[(A)=EA7900]or following machines.  
Refer to Fig.15.

Fig.18. STARTING MOTOR



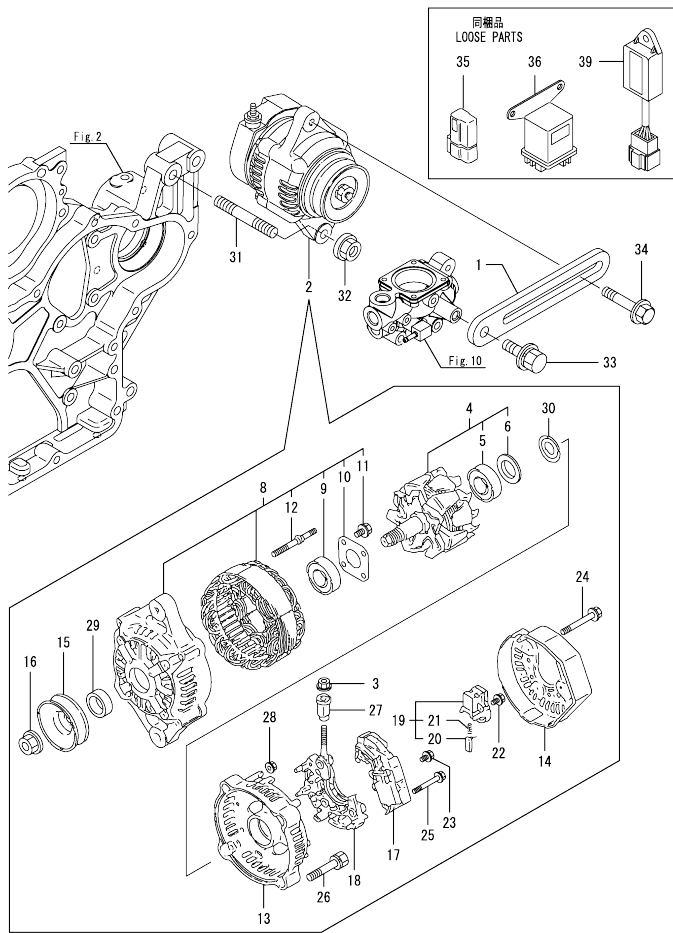
(A)=4TNV98-GGEH  
(B)=4TNV98-GGEHR  
(C)=4TNV98-IGEHR

(D)=  
(E)=  
(F)=

No.	Lev.	Parts No.	Description	Q'ty						I	R
				(A)	(B)	(C)	(D)	(E)	(F)		
30		(A=EA7900) 1 26116-120302	BOLT, M12X 30 PLATED	2							W
30-1		(A=EA7900) 1 26106-120252 (A=EXXXXX)	BOLT, M12X 25 PLATED	2	2	2					R

Remarks  
\*This item is applicable to  
[(A)=EA7900]or following machines.  
Refer to Fig.15.

Fig.16. GENERATOR

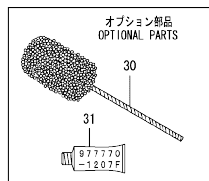
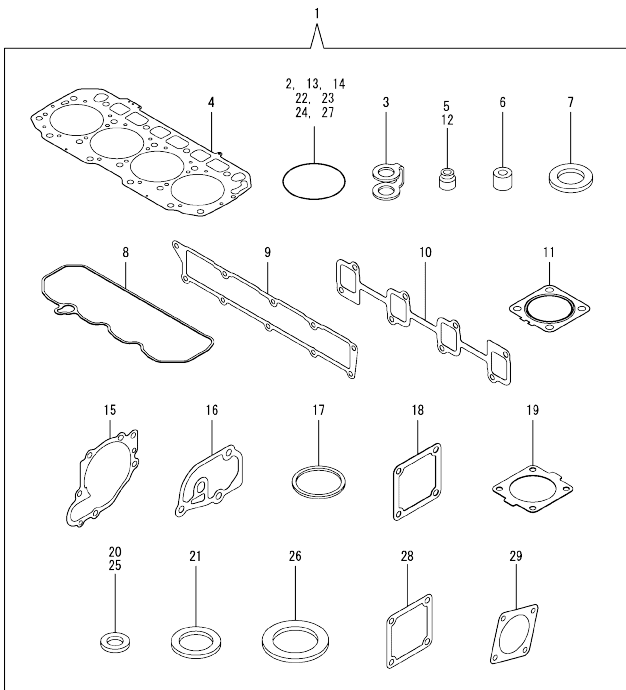


(A)=4TNV98-GGEH  
(B)=4TNV98-GGEHR  
(C)=4TNV98-IGEHR

(D)=  
(E)=  
(F)=

No.	Lev.	Parts No.	Description	Q'ty						I	R
				(A)	(B)	(C)	(D)	(E)	(F)		
1	1	129900-77330	ADJUSTER, BELT	1	1	1					
2	1	129423-77200	GENERATOR ASSY, 40A	1	1	1					
3	2	X9490561001	NUT	1	1	1					
4	2	119620-77380	ROTOR ASSY	1	1	1					
5	3	123501-79240	BEARING, BALL	1	1	1					
6	3	119620-79250	COVER, BEARING	1	1	1					
8	2	119620-77421	FRAME ASSY,GENERATOR	1	1	1					
9	3	119620-79200	BEARING, BALL	1	1	1					
10	3	119620-79210	RETAINER	1	1	1					
11	3	119620-79220	SCREW	4	4	4					
12	3	119620-79230	BOLT, STUD	2	2	2					
13	2	119620-77440	FRAME ASSY	1	1	1					
14	2	129240-79300	COVER	1	1	1					
15	2	119620-77461	PULLEY, GENERATOR	1	1	1					
16	2	119620-77471	NUT	1	1	1					
17	2	129423-77710	REGULATOR ASSY	1	1	1					
18	2	119620-79260	HOLDER	1	1	1					
19	2	129052-79270	HOLDER, BRUSH	1	1	1					
20	3	119620-77480	BRUSH	2	2	2					
21	3	119620-79280	SPRING	2	2	2					
22	2	119620-79290	SCREW	6	6	6					
23	2	119620-79300	SCREW	1	1	1					
24	2	119620-79310	BOLT	3	3	3					
25	2	119620-79320	SCREW	2	2	2					
26	2	119620-79330	BOLT	2	2	2					
27	2	119620-79340	BUSH, INSULATION	1	1	1					
28	2	119620-79350	NUT	2	2	2					
29	2	119620-77490	COLLAR	1	1	1					
30	2	119620-79360	WASHER, THRUST	1	1	1					
31	1	129795-01900	BOLT, STUD M10X33	1	1	1					
32	1	26306-100002	NUT, M10	1	1	1					
33	1	26014-080252	BOLT, M8X 25	1	1	1					
34	1	119810-77340	BOLT, ADJUST L=30	1	1	1					
35	1	119643-66900	DIODE	1							Z
		(A=EB1860)									
36	1	119650-77910	RELAY ASSY, GLOW	1							Z
		(A=EB1860)									
39	1	129211-77920	TIMER	1							Z
		(A=EB1860)									

Fig.17. GASKET SET



Remarks  
(1)Optional parts.

No.	Lev.	Parts No.	Description	Q'ty						I	R
				(A)	(B)	(C)	(D)	(E)	(F)		
1	1	729946-92620	GASKET SET	1							1
1-1	1	729946-92700 (A=E48996)	GASKET SET	1	1	1					N 1
2	2	24341-000240	O-RING, 1AS24.0	1	1	1					
3	2	123907-59550	GASKET	5	5	5					
4	2	129907-01331	GASKET, HEAD	1	1	1					
5	2	124160-11340	SEAL, VALVE STEM	8	8	8					
6	2	119802-11870	PROTECTOR, NOZZLE	4	4	4					
7	2	119625-11880	SEAT, NOZZLE	4	4	4					
8	2	129907-11310	GASKET, BONNET	1							
8-1	2	129933-11310 (A=E48996)	GASKET, BONNET	1	1	1					N
9	2	129907-12110	GASKET, MANIFOLD	1	1	1					
10	2	129900-13251	GASKET, EXH.MANIFOLD	1	1	1					
11	2	129930-13201	GASKET, SILENCER	1	1	1					
12	2	119803-11340	SEAL, VALVE STEM	8	8	8					
13	2	129900-32030	O-RING, P20	2	2	2					
14	2	129900-32040	O-RING, P14	1	1	1					
15	2	129900-42020	GASKET, WATER PUMP	1	1	1					
16	2	129900-49870	GASKET, THERMOSTAT	1	1	1					
17	2	121850-49550	GASKET, THERMOSTAT	1	1	1					
18	2	121850-77021	GASKET, AIR HEATER	1	1	1					
19	2	121850-49540	GASKET, THERMOSTAT	1	1	1					
20	2	23414-080000	GASKET, 8X1.0	1	1	1					
21	2	124465-44950	GASKET, 16	2	2	2					
22	2	24311-000070	O-RING, 1AP7.0	1	1	1					
23	2	24311-000120	O-RING, 1AP12.0	8	8	8					
24	2	24311-000320	O-RING, 1AP32.0	2	2	2					
25	2	22190-080002	WASHER, SEAL 6	7	7	7					
26	2	22190-220002	WASHER, SEAL 22	1	1	1					
27	2	24351-030750	O-RING, 1A3075	1	1	1					
28	2	119129-77020	GASKET	1	1	1					
29	2	124240-01883	GASKET	1	1	1					
29-1	2	129C26-01890 (A=EL8876) (B=EL8868)	GASKET, HO-P	1	1	1					R
30	1	129400-92450	HONE, FLEX	1	1	1					1
31	1	977770-1207F	GASKET,LIQUID	1	1	1					1

## Parts No. Index

Parts No.	Fig. No.	Ref. No.
105025-59750	14	7
114250-39450	9	14
114250-53080	13	5
114250-53120	13	9
114250-53130	13	10
114250-53140	13	11
114250-53210	13	12
114250-53400	13	13
119000-01840	3	3
119000-35140	9	5
119005-77050	5	15
119005-77051	5	15 -1
119129-77020	5	13
	17	28
119129-77520	5	16
119130-44760	10	17
119131-18320	6	6
119160-12530	5	9
119160-12540	5	10
119225-52102	14	20
119255-44660	10	53
119305-59120	13	27
119593-11301	4	28
119620-11180	4	16
119620-77380	16	4
119620-77421	16	8
119620-77440	16	13
119620-77461	16	15
119620-77471	16	16
119620-77480	16	20
119620-77490	16	29
119620-79200	16	9
119620-79210	16	10
119620-79220	16	11
119620-79230	16	12
119620-79250	16	6
119620-79260	16	18
119620-79280	16	21
119620-79290	16	22
119620-79300	16	23
119620-79310	16	24
119620-79320	16	25
119620-79330	16	26
119620-79340	16	27
119620-79350	16	28
119620-79360	16	30
119625-11880	4	26
	17	7
119640-01640	3	8
119640-61400	4	62

Parts No.	Fig. No.	Ref. No.
119643-66900	16	35
119650-77910	16	36
119653-77950	12	101
	20	103
119660-61901	12	60
	20	59
119773-91501	10	60
119802-11870	4	47
	17	6
119802-51590	11	59
	19	64
119802-51600	11	60
	19	65
119802-51680	11	64
	19	69
119802-51690	11	65
	19	70
119802-55700	14	21
119802-55710	14	22
119802-55730	14	25 A
119802-55810	14	2
119803-11340	4	18
	17	12
119803-53400	13	13 -1
119807-61420	12	23
	20	24
119810-77340	16	34
120130-22301	8	20
121023-01551	2	41 -1
121250-44901	10	37
121450-42450	10	36
121520-34810	9	2
121750-59890	14	26
121820-12590	5	11
121850-21130	8	10
121850-21290	8	4
121850-21680	8	9
121850-21920	8	5
121850-49540	10	20
	17	19
121850-49550	10	21
	17	17
121850-49810	10	23
121850-49811	10	23 -1
121850-77021	5	14
	17	18
122780-59100	13	26
123501-79240	16	5
123900-13610	6	4
123900-13630	6	5

Parts No.	Fig. No.	Ref. No.
123900-25060	7	9
123907-03100	4	55
123907-03110	4	56
123907-03120	4	57
123907-03140	4	58
123907-11280	4	33
123907-11550	4	3
123907-11601	13	25
123907-11820	4	10
123907-11830	4	22
123907-39500	9	20
123907-59540	14	13
123907-59550	14	14
	17	3
123907-59560	14	18
124160-01751	2	36
	4	50
124160-11340	4	17
	17	5
124160-11360	4	65
124240-01871	2	38
124240-01883	2	39
	17	29
124250-49351	10	59
124411-01780	3	6
124465-44950	10	38
	17	21
124722-59050	10	43
	14	16
124766-59050	14	5
	14	9
127410-21480	8	13
129001-91810	2	26
	27	
129004-55612	14	1
129005-59830	9	22
129008-51920	11	3 G
	19	12
129052-42290	10	14
129052-79270	16	19
129100-01580	2	5
	3	1
129100-55690	14	23
129107-44590	10	49
129150-02450	7	4
129150-11230	4	36
	4	40
129150-11750	4	21

Parts No.	Fig. No.	Ref. No.
129150-11750	4	37
		41
129150-14200	7	1
129150-25920	7	13
129150-35170	9	4
129150-59131	13	30
		34
129150-91400	2	41
129155-51280	12	5
	20	6
129155-61460	12	28
	20	27
129211-77920	16	39
129240-79300	16	14
129255-61410	12	22
	20	23
129400-92450	17	30
129423-77200	16	2
129423-77710	16	17
129457-59010	14	4
129486-59551	14	15
129508-44550	10	48
129509-51390	11	20 A
	19	25
129550-59120	13	31
129685-77640	18	28
129795-01900	16	31
129900-01200	1	31
129900-01250	1	5
129900-01740	2	6
129900-01780	2	4
129900-01850	2	44
129900-01870	2	45
129900-02020	1	7
129900-02341	1	34
129900-02410	1	10
129900-02931	1	28
129900-02941	1	37
129900-13251	6	3
	17	10
129900-14100	7	6
129900-21200	8	3
129900-21640	8	8
129900-23001	8	22
129900-23200	8	27
129900-23601	8	28
129900-23611	8	30
129900-23911	8	38
129900-25100	7	10
129900-32001	2	10



## Parts No. Index

Parts No.	Fig. No.	Ref. No.
129900-32030	2	23
	9	6
	17	13
129900-32040	2	24
	17	14
129900-42020	10	11
	17	15
129900-42461	10	15
129900-42462	10	15 -1
129900-49870	10	32
	17	16
129900-77010	15	1
129900-77040	15	1 -1
	18	1
129900-77120	18	2
129900-77130	18	5
129900-77140	18	6
129900-77150	18	9
129900-77160	18	10
129900-77170	18	13
129900-77180	18	14
129900-77190	18	15
129900-77270	18	17
129900-77280	18	22
129900-77290	18	23
129900-77330	16	1
129900-77380	18	24
129900-77390	18	25
129900-77400	15	2
129900-77420	18	26
129900-77430	18	27
129900-77440	15	5
129900-77450	15	7
		9
	18	7
		12
129900-77460	15	11
129900-77480	15	8
129900-77510	15	17
129900-77520	15	20
129900-77540	15	18
129900-77550	15	19
129900-77591	15	12
129900-77610	15	23
129900-77620	15	13
129900-77640	15	15
129900-77650	15	14
129900-77700	15	16
129900-77710	15	24
129900-21000	8	1

Parts No.	Fig. No.	Ref. No.
129906-51580	11	57
	19	62
129907-01190	1	33
129907-01331	1	32
	17	4
129907-01500	2	8
129907-01950	11	129
	19	134
129907-01960	11	130
	19	135
129907-03011	4	52
129907-03061	4	53
129907-03070	4	54
129907-07900	4	1
129907-11100	4	25
129907-11110	4	14
129907-11120	4	15
129907-11250	4	30
129907-11260	4	31
129907-11270	4	32
129907-11310	4	61
	17	8
129907-11320	4	51
129907-11321	4	51 -1
129907-11341	4	29
129907-11510	4	19
129907-11650	4	34
129907-11660	4	38
129907-11700	4	4
129907-11800	4	81
129907-11910	4	68
129907-11920	4	42
129907-11950	4	48
129907-12110	5	2
	17	9
129907-13200	6	1
129907-13201	6	1 -1
129907-14400	7	2
129907-14581	7	3
129907-21660	8	7
129907-22050	8	16
129907-22051	8	16 -1
129907-22090	8	14
129907-25900	7	15
129907-39061	9	18
129907-42000	10	1
129907-42001	10	1 -1
129907-44560	10	54
129907-44600	10	50
129907-44610	10	51

Parts No.	Fig. No.	Ref. No.
129907-49610	10	40
129907-49620	10	44
129907-49710	10	41
129907-49720	10	45
129907-49730	10	22
129907-49750	10	42
129907-49800	10	18
129907-51560	11	53
	19	58
129907-59140	14	12
129907-59710	13	35
129907-59810	13	37
129907-59820	13	38
129907-59830	13	39
129907-59840	13	40
129908-14581	7	3 -1
129910-07900	4	69
129915-01610	3	2
129915-39600	10	58
129916-01800	2	4 -1
129916-21610	8	9 -1
129916-44740	10	16
129916-49530	10	19
129916-59020	11	127
	19	132
129920-21580	8	11
129927-42140	2	24 A
129928-51900	11	3 F
	19	11
129930-13201	6	2
	17	11
129933-11310	4	61 -1
	17	8 -1
129933-12500	5	7
129935-12520	5	8
129937-53000	13	2
129937-61440	12	25
	20	26
129940-42320	10	14 -1
129940-44500	10	47
129944-12110	5	1
129944-12111	5	1 -1
129944-12230	5	5
129944-12620	5	12
129946-61061	12	86
	20	89
129950-59221	14	10
129951-01740	2	6 -1
129953-25300	7	16
129953-34830	9	1

Parts No.	Fig. No.	Ref. No.
129953-35000	9	7
129957-59120	14	6
129960-21930	8	39
129960-21940	8	8 -1
129980-59510	14	11
129981-49050	10	55
129981-49061	10	56
129981-49062	10	56 -1
129981-59010	14	8
129982-01710	3	7
129C26-01890	2	39 -1
	17	29 -1
144626-51090	11	9
	19	13
158552-51570	11	54
158552-51571	11	54 -1
	19	59
158552-51580	11	58
	19	63
158552-51670	11	125
	19	130
158552-51781	11	96
	19	101
158552-52100	11	102
	19	110
158552-52310	11	104
158552-52311	11	104 -1
	19	112
158552-52400	11	105
	19	113
158552-52500	11	103
	19	111
158552-61900	12	74
	20	75
158553-51551	11	51
	19	56
158553-51630	11	69
	19	74
158553-51640	11	71
	19	76
158553-51660	11	73
	19	78
158553-51670	11	63
	19	68
158553-51680	11	74
	19	79
158553-51930	11	100 -1
	19	104
158557-51570	11	55
	19	60

## Parts No. Index

Parts No.	Fig. No.	Ref. No.
158560-51600	11	68
	19	73
158560-61050	12	2
	20	3
158560-61071	12	3
	20	4
158560-61430	12	24
	20	25
158563-51150	11	12
	19	16
158563-51281	11	19
	19	20
	19	23
	19	24
158563-51330	11	29
	19	34
158600-51270	11	18
	19	22
158601-51550	11	52
	19	57
158601-51570	11	56
	19	61
158601-51650	11	72
	19	77
158601-51770	11	95
	19	100
158601-51790	11	97
	19	102
171008-77410	18	3
171008-77420	18	4
171008-77450	15	6
	18	8
171008-77670	18	18
171008-77730	15	21
171008-77740	15	22
171008-77750	15	25
	18	29
171051-01921	1	6
171056-49120	10	31
22190-080002	9	15
		16
		23
	14	19
	17	25
22190-120002	11	98
		107
		108
	19	105
		114
		115

Parts No.	Fig. No.	Ref. No.
22190-160002	12	78
	20	80
22190-180002	11	99
		109
	19	106
		116
22190-220002	3	10
	17	26
22217-180000	11	110
	19	117
22252-000300	8	21
22312-050140	11	111
	19	118
	11	112
22351-050010	19	119
22351-060012	1	11
22512-070140	7	7
	8	6
22857-500100	4	63
		64
23000-080000	5	18
23000-090000	5	19
23000-102000	5	19 -1
23010-050000	10	61
23010-060000	10	57
		57 -1
23414-080000	10	33
	17	20
23857-030000	9	24
23857-060000	11	113
	19	120
23875-030000	10	27
23876-020000	4	11
23876-030000	1	12
		13
		14
		4
		12
23887-120002	11	100
23887-160002	12	81
	20	82
24311-000070	2	25
	11	114
	17	22
	19	121
24311-000120	4	27
		66
	17	23
24311-000160	14	25
24311-000320	2	37
	4	67

Parts No.	Fig. No.	Ref. No.
24311-000320	17	24
24321-000650	14	24
24341-000240	2	42
		48
	17	2
24351-030750	2	28
	17	27
24356-010200	11	66
		115
24356-020210	11	116
24356-190200	11	66 -1
	19	71
		122
24356-240210	11	116 -1
	19	123
24372-000150	11	67
	19	72
26014-060122	10	52
26014-080252	16	33
26106-060102	11	117
	12	64
		65
	19	124
	20	65
		66
26106-060122	10	28
26106-060142	12	82
	20	83
26106-060162	2	43
	13	41
26106-060202	10	29
26106-060252	12	83
	20	84
26106-060302	10	12
26106-060352	11	118
	19	125
26106-060402	12	84
	20	85
26106-080122	3	11
	9	3
		12
		17
	10	34
26106-080162	2	29
		30
		40
		46
	4	2
	7	8

Parts No.	Fig. No.	Ref. No.
26106-080162	9	13
	11	131
	19	136
26106-080182	13	42
26106-080202	2	29 -1
		31
26106-080222	11	132
		133
	19	137
		138
26106-080302	10	30
	14	3
26106-080402	2	32
		33
	4	44
	5	17
26106-080452	2	33 -1
		34
	5	3
26106-080552	7	14
	10	13
26106-080602	4	45
		46
	10	35
26106-080702	2	26 -1
		27 -1
26106-080752	2	27 -2
26106-080802	5	4
26106-080902	5	6
26106-100202	11	134
	19	139
26106-120252	18	30 -1
26116-120302	15	26
	18	30
26206-100352	3	4
26216-100302	2	22
26226-080222	4	43
26306-080002	4	49
	6	7
26306-100002	2	35
	16	32
26450-100452	11	121
	19	126
26756-060002	12	66
	20	67
26776-180002	11	122
	19	127
27241-300000	1	15
27241-400000	4	13
27310-070001	4	23

### Parts No. Index

Parts No.	Fig. No.	Ref. No.
729900-02801	1	40
729907-01560	1	1
729907-01570	2	1
729907-01590	2	1 -1
729907-22910	8	32
729907-22950	8	34
729946-51320	19	1
729946-51390	11	1
729946-53300	13	1
729946-92620	17	1
729946-92700	17	1 -1
977770-1207F	17	31
X2114155110	15	3
X2114255110	15	4
X2114955020	18	16
X2130631300	15	10
	18	11
X9490561001	16	3

Parts No.	Fig. No.	Ref. No.
-----------	----------	----------

Parts No.	Fig. No.	Ref. No.
-----------	----------	----------

Parts No.	Fig. No.	Ref. No.
-----------	----------	----------