

0CW10-M41200EN

P R E F A C E

1. This Parts catalog is the 1st edition of 4TNV98-GGKM for KOHLER.

Pub.No. : 000Y00W4120
Published : August, 2008

2. Model name

Engine model	Vehicle	Vehicle made by
4TNV98-GGKM	MARINE GENERATOR	KOHLER

Directions for the Parts Catalog.

1. The parts stipulated in this Parts Catalog are not necessarily standard equipped parts.
2. Parts may change without prior notice.
3. The following is an example of the Parts Catalog format.

REF.	LEV.	PARTS NO.	DESCRIPTION	Q'TY						I	R
				(A)	(B)	(C)	(D)	(E)	(F)		
1	1	729595-51390	FUEL INJECTION PUMP	1	1	1	1	1			1
1-1	1	729595-51391	FUEL INJECTION PUMP	1	1	1	1	1		N	1
		(A=E00185) (B=E00200)									
3	2	26022-060162	SCREW M 6X 16	9	9	9	9	9			
3-1	2	26022-060162	SCREW M 6X 16	4	4	4	4	4		K	
		(A=E00156) (B=E00156) (C=E00156) (D=E00156) (E=E00156)									
4	2	129470-51040	CAMSHAFT	1	1	1	1	1			
5	2	122710-51050	BEARING, ROLLER	2	2	2	2	2			
6	2	129470-51060	RETAINER	1	1	1	1	1			

Remarks
(1) BOOST COMPEMSATOR TYPE. OPTIONAL PART, TO E00155,(4JH-DT, 4JH-DTZ

① Ref. No.

The Ref. No. listed may not be in accordance with the illustration Ref. No.

(Ex.) Illustration No.

List Ref No.

1 1 (Before change) → 1-1 (After change)

For interchangeable symbols N, R and K, illustrations for new parts may be abbreviated.

② Lev. (Level)

Level indication

The numbers below indicate the level of relativity towards the main part.

1 ---- Main parts (Assembly parts)

2 ---- Sub component included in " 1 ".

3 ---- Sub component included in " 2 ".

Note) Parts that are not for sale are partially illustrated but not listed.

③ Interchangeability Mark

When a part change takes place, one of the following interchangeability symbols is indicated beside the part.

Symbol	Interchangeability	Contents note
N	Old $\begin{matrix} \leftarrow \text{Yes} \\ \text{No} \rightarrow \end{matrix}$ New	New Part is interchangeable for Old Part but Old Part is not interchangeable for New Part.
Q	Old $\begin{matrix} \leftarrow \text{No} \\ \text{Yes} \rightarrow \end{matrix}$ New	New Part is not interchangeable for Old Part but Old Part is interchangeable for New Part.
R	Old $\begin{matrix} \leftarrow \text{Yes} \\ \text{Yes} \rightarrow \end{matrix}$ New	New/ Old Parts are both interchangeable.
S	Old $\begin{matrix} \leftarrow \text{No} \\ \text{No} \rightarrow \end{matrix}$ New	New/ Old Parts are both not interchangeable.
W		Part newly added.
Z		Part discontinued.
F		Not interchangeable by a single part but interchangeable together with related parts.
K		Changes only for used parts quantities.

④ Effective Machine No.

When a part changes, the effective Machine No. will be indicated in the (A)-(F) column.

Product Symbol	Product No.	Product Symbol	Product No.
C	Clutch No. Compressor No.	F	Machine No. (Agricultural Equip.)
D	Drive No.	M	Machine No.
E	Engine No.		

Note 1) A date may follow the symbol. (Ex.) 1996.01

Note 2) "XXXXX" and "ZZZZZ" are for parts that could not be predicted or for engine models that could not be identified.

Note 3) (A=E00185) is the E (Engine Serial Number) for the column (A) model (in this case 4JH-DT) after the parts design change.

⑤ Remarks Mark

Figures or alphabets (symbols) are entered in the remarks column.

The comments (remarks) on parts that are indicated at the bottom of the illustration are the same symbols as those stated above.

Contents

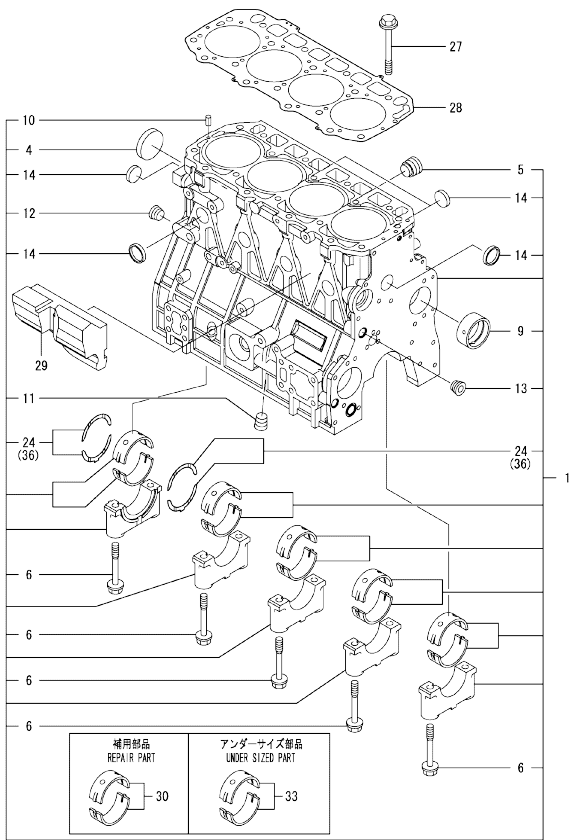
0CW10-M41200

Fig. No.	Fig. Name	Fig. No.	Fig. Name
4	TNV98-GGKM		
1.	CYLINDER BLOCK		
2.	GEAR HOUSING		
3.	FLYWHEEL HOUSING & OIL SUMP		
4.	CYLINDER HEAD & BONNET		
5.	SUCTION MANIFOLD		
6.	CAMSHAFT & DRIVING GEAR		
7.	CRANKSHAFT & PISTON		
8.	LUB.OIL SYSTEM		
9.	COOLING WATER SYSTEM		
10.	FUEL INJECTION PUMP		
11.	GOVERNOR		
12.	FUEL INJECTION VALVE		
13.	FUEL LINE		
14.	STARTING MOTOR		
16.	(14A)STARTING MOTOR		
15.	GASKET SET		

Fig.1. CYLINDER BLOCK

(A)=4TNV98-GGKM
(B)=
(C)=

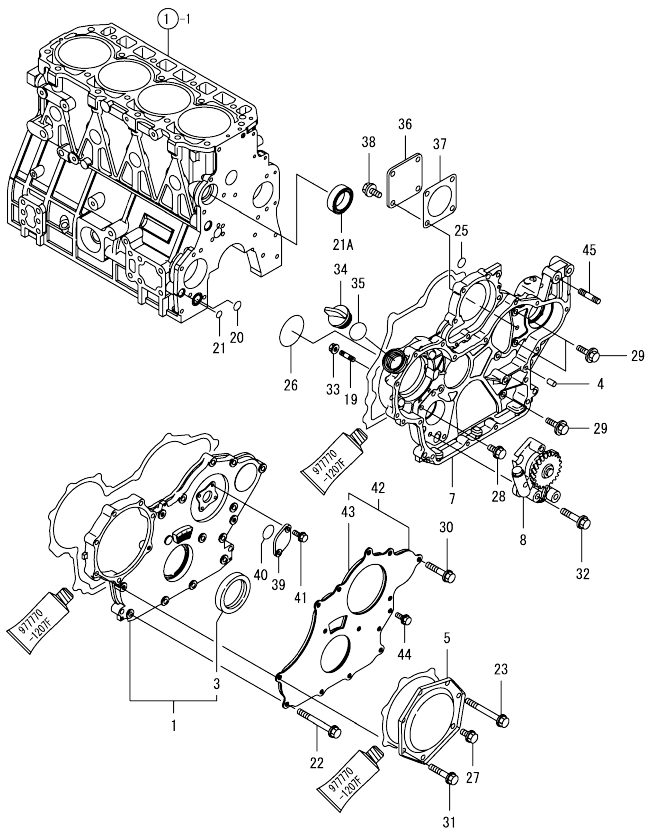
(D)=
(E)=
(F)=



No.	Lev.	Parts No.	Description	Q'ty						I	R
				(A)	(B)	(C)	(D)	(E)	(F)		
1	1	729907-01560	BLOCK ASSY, CYLINDER	1							
4	2	129900-01250	PLUG, DISH TYPE 55	1							
5	2	171051-01921	PLUG, NPTF1	1							
6	2	129900-02020	BOLT, METAL CAP	10							
9	2	129900-02410	BUSH, CAMSHAFT	1							
10	2	22351-060012	PIN, SPRING 6.0X12	2							
11	2	23876-030000	PLUG, R03	1							
12	2	23876-030000	PLUG, R03	1							
13	2	23876-030000	PLUG, R03	1							
14	2	27241-300000	PLUG 30	8							
24	2	129900-02931	BEARING ASSY, THRUST	2							
27	1	129900-01200	BOLT, CYLINDER HEAD	18							
28	1	129907-01331	GASKET, HEAD	1							
29	1	129907-01190	SPACER	1							
30	1	729900-02801	BEARING, MAIN	5							1
33	1	129900-02341	BEARING ASSY, MAIN	5							2
36	1	129900-02941	BEARING, THRUST 0.25	2							3

Remarks
(1) REPAIR PART.
(2) UNDER-SIZED(U.S=0.25)PART.
(3) OVER-SIZED(O.S=0.25)PART.

0CW10-M41200 4TNV98-GGKM
 Fig.2. GEAR HOUSING



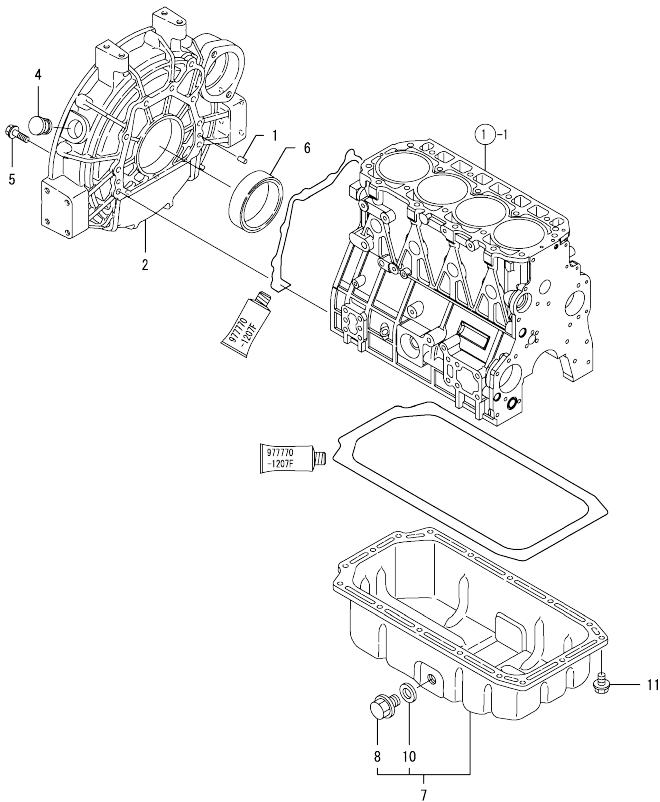
0CW10-M41200 Fig.2

(A)=4TNV98-GGKM
 (B)=
 (C)=

(D)=
 (E)=
 (F)=

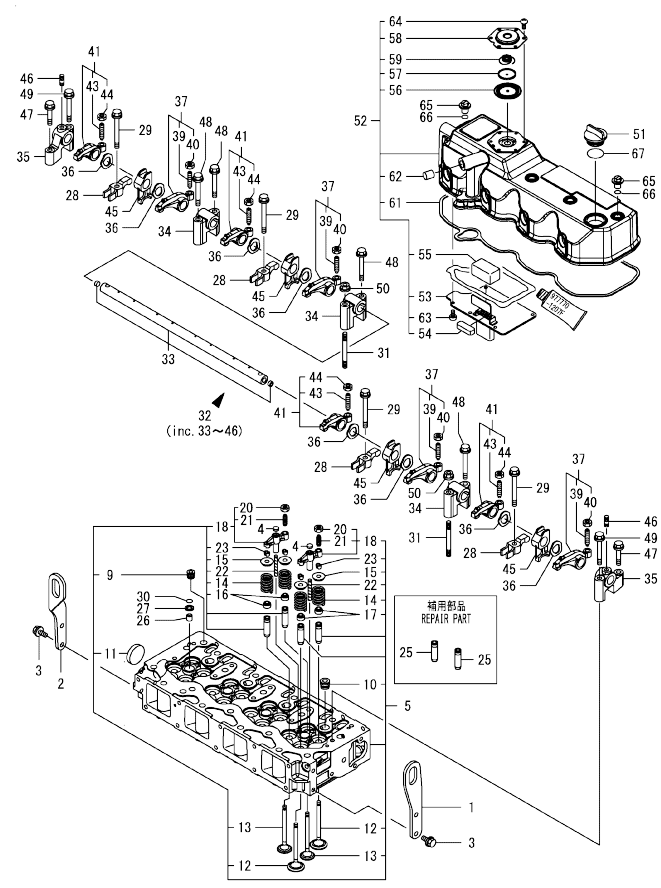
No.	Lev.	Parts No.	Description	Qty						I	R
				(A)	(B)	(C)	(D)	(E)	(F)		
1	1	729907-01590	COVER ASSY,GEAR CASE	1							
3	2	129916-01800	SEAL, OIL	1							
4	1	129100-01580	PIN, PARALLEL 8X16	4							
5	1	129900-01740	COVER	1							
7	1	129907-01500	CASE, GEAR	1							
8	1	129900-32001	PUMP ASSY, OIL	1							
19	1	26216-100302	STUD, M10X 30	4							
20	1	129900-32030	O-RING, P20	1							
21	1	129900-32040	O-RING, P14	1							
21A	1	129927-42140	GASKET, PUMP OUTLET	1							W
		(A=2014.09)									
22	1	129001-91810	BOLT, M8X70	6							
23	1	129001-91810	BOLT, M8X70	1							
25	1	24311-000070	O-RING, 1AP7.0	1							
26	1	24351-030750	O-RING, 1A3075	1							
27	1	26106-080162	BOLT, M8X 16 PLATED	1							
28	1	26106-080162	BOLT, M8X 16 PLATED	1							
29	1	26106-080202	BOLT, M8X 20 PLATED	3							
30	1	26106-080402	BOLT, M8X 40 PLATED	5							
31	1	26106-080402	BOLT, M8X 40 PLATED	5							
32	1	26106-080452	BOLT, M8X 45 PLATED	3							
33	1	26306-100002	NUT, M10	4							
34	1	124160-01751	CAP, FILLER	1							
35	1	24311-000320	O-RING, 1AP32.0	1							
36	1	124240-01871	COVER, PUMP	1							
37	1	124240-01883	GASKET	1							
38	1	26106-080162	BOLT, M8X 16 PLATED	4							
39	1	121023-01551	COVER	1							
40	1	24341-000240	O-RING, 1AS24.0	1							
41	1	26106-060162	BOLT, M6X 16 PLATED	2							
42	1	129900-01850	COVER ASSY,GEAR CASE	1							
43	2	129900-01870	SPONGE, GEAR CASE	1							
44	1	26106-080162	BOLT, M8X 16 PLATED	3							
45	1	129795-01900	BOLT, STUD M10X33	1							

Fig.3. FLYWHEEL HOUSING & OIL SUMP



No.	Lev.	Parts No.	Description	Q'ty						I	R
				(A)	(B)	(C)	(D)	(E)	(F)		
1	1	129100-01580	PIN, PARALLEL 8X16	2							
2	1	129951-01620	HOUSING, FLYWHEEL	1							
4	1	119000-01840	PLUG, RUBBER	1							
5	1	26206-100352	BOLT, M10X 35 PLATED	9							
6	1	124411-01780	SEAL, HTC95X115X12	1							
7	1	129902-01710	OIL PAN ASSY	1							
8	2	119640-01640	PLUG, DRAIN M22	1							
10	2	22190-220002	WASHER, SEAL 22	1							
11	1	26106-080122	BOLT, M8X 12 PLATED	16							

Fig.4. CYLINDER HEAD & BONNET



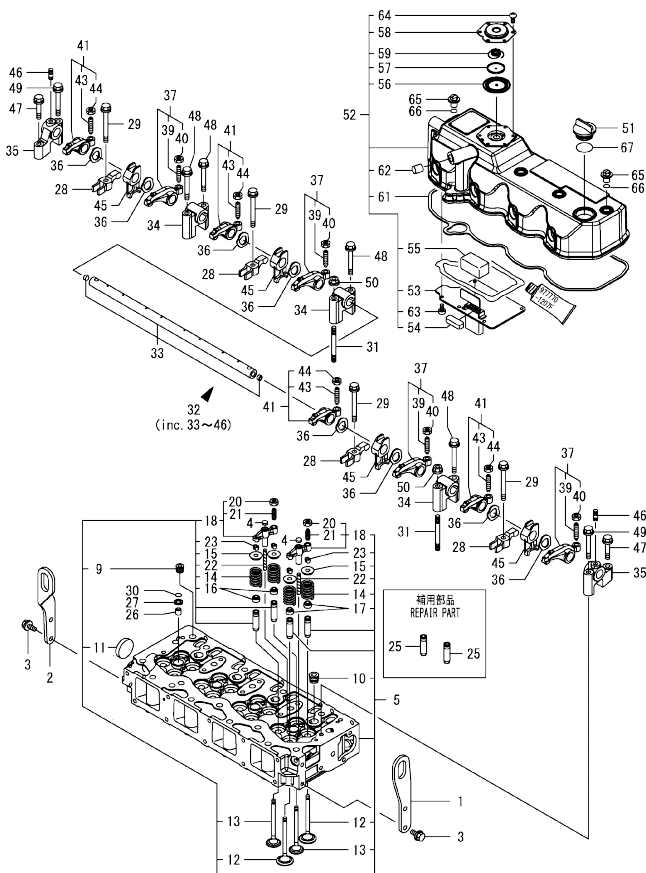
(A)=4TNV98-GGKM
(B)=
(C)=

(D)=
(E)=
(F)=

No.	Lev.	Parts No.	Description	(A)	(B)	(C)	(D)	(E)	(F)	I	R
1	1	129907-07900	LIFTER, ENGINE	1							
2	1	129910-07900	LIFTER, ENGINE	1							
3	1	26106-080162	BOLT, M8X 16 PLATED	4							
4	1	123907-11550	SEAT, VALVE BRIDGE	8							
5	1	129907-11700	HEAD ASSY, CYLINDER	1							
9	2	23876-020000	PLUG, R02	1							
10	2	23876-030000	PLUG, R03	4							
11	2	27241-400000	PLUG, 40	1							
12	2	129907-11100	VALVE, SUCTION	8							
13	2	129907-11110	VALVE, EXHAUST	8							
14	2	129907-11120	SPRING, VALVE	16							
15	2	119620-11180	RETAINER, SPRING	16							
16	2	119803-11340	SEAL, VALVE STEM	8							
17	2	124160-11340	SEAL, VALVE STEM	8							
18	2	129907-11510	BRIDGE ASSY, VALVE	8							
20	3	129150-11750	NUT, M8	8							
21	3	123907-11830	ADJUSTER	8							
22	2	123907-11820	GUIDE, BRIDGE	8							
23	2	27310-070001	COTTER, 7	16							
25	1	129907-11800	GUIDE, VALVE	16							1
26	1	119802-11870	PROTECTOR, NOZZLE	4							
27	1	119625-11880	SEAT, NOZZLE	4							
28	1	129907-11910	RETAINER, NOZZLE	4							
29	1	129907-11950	BOLT, M8X75	4							
30	1	24311-000120	O-RING, 1AP12.0	4							
31	1	119593-11301	BOLT, STUD M8X80	2							
32	1	129907-11341	SHAFT ASSY, ROCKER	1							
33	2	129907-11250	SHAFT, ROCKER ARM	1							
34	2	129907-11260	SUPPORT, ROCKER ARM	3							
35	2	129907-11270	SUPPORT, ROCKER ARM	2							
36	2	123907-11280	WASHER	8							
37	2	129907-11650	ARM ASSY, ROCKER	4							
39	3	129150-11230	SCREW, VALVE ADJUST	4							
40	3	129150-11750	NUT, M8	4							
41	2	129907-11660	ARM ASSY, ROCKER	4							
43	3	129150-11230	SCREW, VALVE ADJUST	4							
44	3	129150-11750	NUT, M8	4							
45	2	129907-11920	RETAINER, NOZZLE	4							
46	2	26226-080222	STUD, M8X 22	2							
47	1	26106-080402	BOLT, M8X 40 PLATED	2							
48	1	26106-080602	BOLT, M8X 60 PLATED	4							
49	1	26106-080602	BOLT, M8X 60 PLATED	2							
50	1	26306-080002	NUT, M8	2							
51	1	124160-01751	CAP, FILLER	1							
52	1	129907-11321	BONNET ASSY, HEAD	1							
53	2	129907-03011	PLATE, BAFFLE	1							
54	2	129907-03061	BAFFLE, BREATHER	1							
55	2	129907-03070	BAFFLE, BREATHER	1							
56	2	123907-03100	DIAPHRAGM	1							
57	2	123907-03110	PLATE	1							
58	2	123907-03120	PLATE, BREATHER	1							

Remarks
(1) REPAIR PART.

Fig.4. CYLINDER HEAD & BONNET



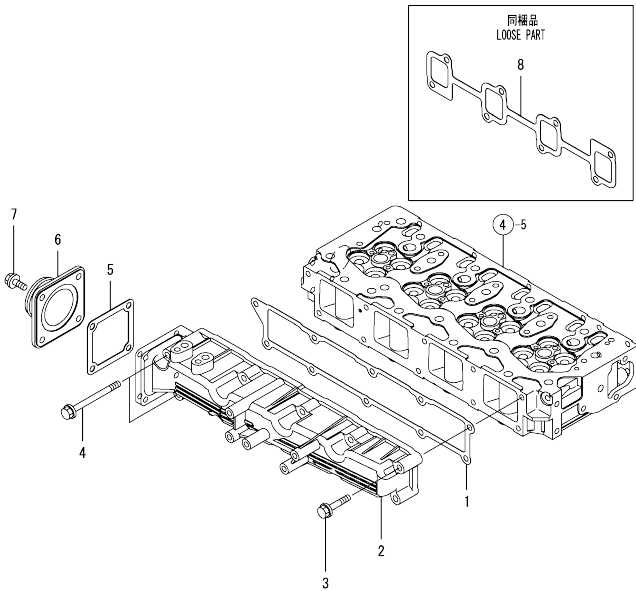
(A)=4TNV98-GGKM
(B)=
(C)=

(D)=
(E)=
(F)=

No.	Lev.	Parts No.	Description	Qty					
				(A)	(B)	(C)	(D)	(E)	(F)
59	2	123907-03140	SPRING, DIAPHRAGM	1					
61	2	129933-11310	GASKET, BONNET	1					
62	2	119640-61400	PLUG	1					
63	2	22857-500100	SCREW, 5X10	6					
64	2	22857-500100	SCREW, 5X10	6					
65	1	124160-11360	KNOB	4					
66	1	24311-000120	O-RING, 1AP12.0	4					
67	1	24311-000320	O-RING, 1AP32.0	1					

Remarks
(1) REPAIR PART.

Fig.5. SUCTION MANIFOLD

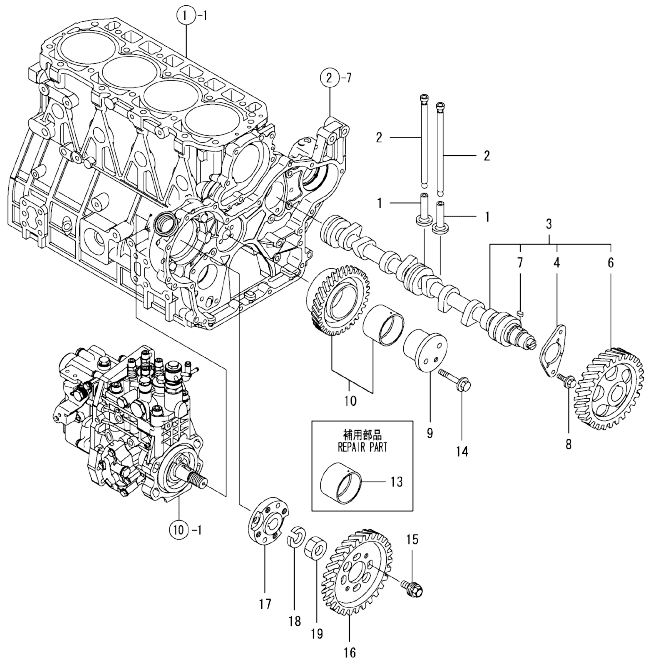


(A)=4TNV98-GGKM
(B)=
(C)=

(D)=
(E)=
(F)=

No.	Lev.	Parts No.	Description	Q'ty					
				(A)	(B)	(C)	(D)	(E)	(F)
1	1	129907-12110	GASKET, MANIFOLD	1					
2	1	129944-12110	MANIFOLD, AIR INTAKE	1					
3	1	26106-080452	BOLT, M8X 45 PLATED	8					
4	1	26106-080802	BOLT, M8X 80 PLATED	2					
5	1	121850-77021	GASKET, AIR HEATER	1					
6	1	121850-77100	SLEEVE, PIPE	1					
7	1	26106-080142	BOLT, M8X 14 PLATED	4					
8	1	129900-13251	GASKET, EXH.MANIFOLD	1					

Fig.6. CAMSHAFT & DRIVING GEAR



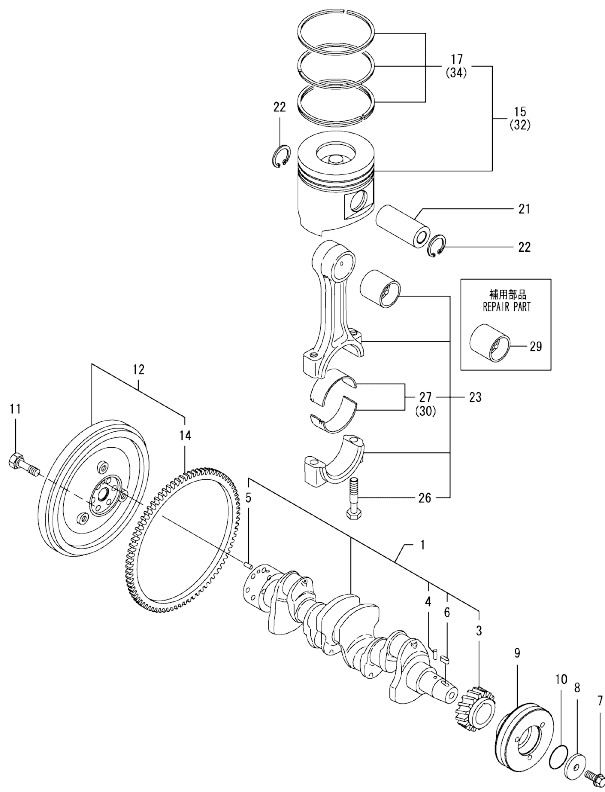
(A)=4TNV98-GGKM
(B)=
(C)=

(D)=
(E)=
(F)=

No.	Lev.	Parts No.	Description	Q'ty						I	R
				(A)	(B)	(C)	(D)	(E)	(F)		
1	1	129150-14200	TAPPET	8							
2	1	129907-14400	PUSH-ROD	8							
3	1	129907-14581	CAMSHAFT ASSY	1							
3-1	1	129908-14581	CAMSHAFT ASSY	1							N
4	2	129150-02450	BEARING, THRUST	1							
6	2	129900-14100	GEAR, CAMSHAFT	1							
7	2	22512-070140	KEY, 7X 14	1							
8	1	26106-080162	BOLT, M8X 16 PLATED	2							
9	1	123900-25060	SHAFT, IDLE GEAR	1							
10	1	129900-25100	GEAR ASSY, IDLE	1							
13	1	129150-25920	BUSH, IDLE GEAR	1							1
14	1	26106-080552	BOLT, M8X 55 PLATED	3							
15	1	129953-25300	BOLT	4							
16	1	129907-25900	GEAR, PUMP	1							
17	1	158563-51150	FLANGE	1							
18	1	22217-180000	WASHER, SPRING 18	1							
19	1	26776-180002	NUT, LOCK M18	1							

Remarks
(1) REPAIR PART.

Fig.7. CRANKSHAFT & PISTON



(A)=4TNV98-GGKM
(B)=
(C)=

(D)=
(E)=
(F)=

No.	Lev.	Parts No.	Description	Q'ty						I	R
				(A)	(B)	(C)	(D)	(E)	(F)		
1	1	129902-21000	CRANKSHAFT ASSY	1							
3	2	129900-21200	GEAR, CRANKSHAFT	1							
4	2	121850-21290	PIN	1							
5	2	121850-21920	PIN, PARALLEL 10X22	1							
6	2	22512-070140	KEY, 7X 14	1							
7	1	129916-21610	BOLT	1							
8	1	129960-21640	WASHER	1							
9	1	129963-21650	V-PULLEY, 130	1							
10	1	24341-000530	O-RING, 1AS53.0	1							
11	1	121850-21130	BOLT, FLYWHEEL	6							
12	1	129902-21580	FLYWHEEL ASSY	1							
14	2	127410-21480	GEAR, RING Z=129	1							
15	1	129907-22090	PISTON ASSY, 18.5	4							
17	2	129907-22050	RING SET, PISTON	4							
21	1	120130-22301	PIN, PISTON	4							
22	1	22252-000300	RING, 30	8							
23	1	129900-23001	ROD ASSY, CONNECTING	4							
26	2	129900-23200	BOLT, CONNECTING ROD	8							
27	2	129900-23601	BEARING, CRANK PIN	4							
29	1	129900-23911	BEARING, PISTON PIN	4							1
30	1	129900-23611	BEARING ASSY, 0.25US	4							2
32	1	729907-22910	PISTON ASSY, 0.25 OS	4							3
34	2	729907-22950	RING SET, 0.25 OS	4							3

Remarks
(1) REPAIR PART.
(2) UNDER-SIZED(U.S=0.25)PART.
(3) OVER-SIZED(O.S=0.25)PART.

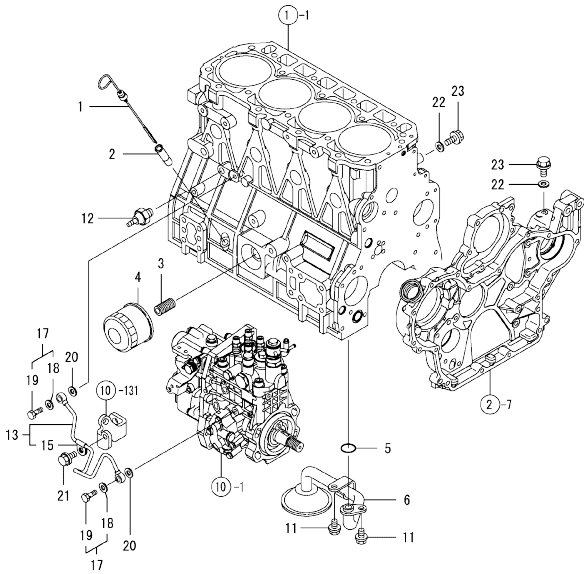
0CW10-M41200 4TNV98-GGKM
 Fig.8. LUB.OIL SYSTEM

0CW10-M41200 Fig.8

(A)=4TNV98-GGKM
 (B)=
 (C)=

(D)=
 (E)=
 (F)=

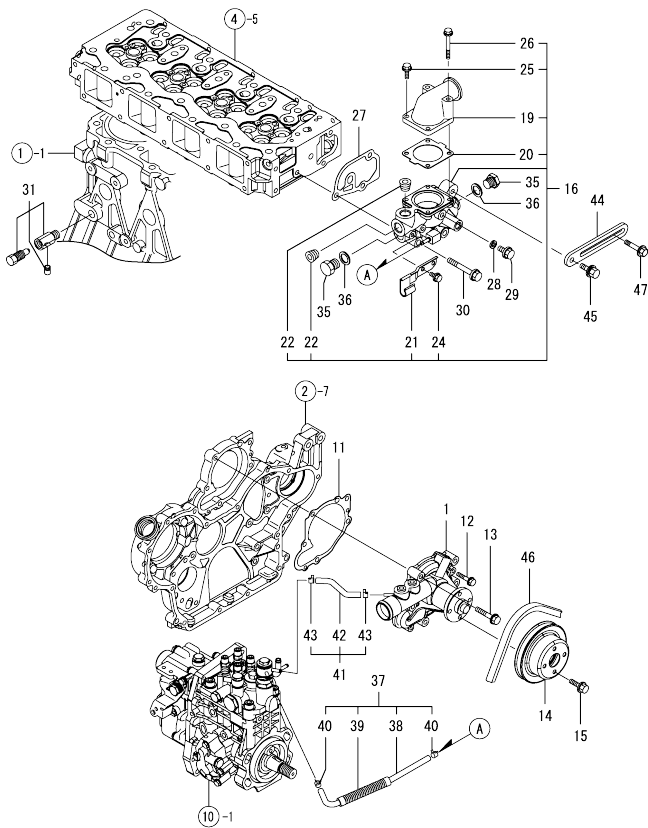
No.	Lev.	Parts No.	Description	Q'ty						I	R
				(A)	(B)	(C)	(D)	(E)	(F)		
1	1	129900-34800	DIPSTICK	1							
2	1	121520-34810	GUIDE, DIPSTICK	1							
3	1	119000-35140	BOLT, STUD FILTER	1							
4	1	129150-35170	FILTER,LO	1							
5	1	129900-32030	O-RING, P20	1							
6	1	129900-35000	PIPE ASSY, OIL INLET	1							
11	1	26106-080122	BOLT, M8X 12 PLATED	2							
12	1	114250-39450	SWITCH, HYDRAULIC	1							
13	1	129907-39061	PIPE ASSY, OIL	1							
15	2	123907-39500	RETAINER, PIPE	1							
17	1	129005-59830	BOLT ASSY, JOINT M8	2							
18	2	22190-080002	WASHER, SEAL 6	2							
19	2	23857-030000	BOLT, JOINT 3	2							
20	1	22190-080002	WASHER, SEAL 6	2							
21	1	26106-080122	BOLT, M8X 12 PLATED	1							
22	1	22190-080002	WASHER, SEAL 6	2							
23	1	26106-080122	BOLT, M8X 12 PLATED	2							



Remarks
 (1) REPAIR PART.

N:Old $\frac{100}{100}$ New, Q:Old $\frac{100}{100}$ New, R:Old $\frac{100}{100}$ New, S:Old $\frac{100}{100}$ New, W:Add, Z:Discontinued, F:Interchangeable by set, K:Q'ty Change
 Copyright (C) YANMAR GLOBAL CS CO., LTD. All Rights Reserved.

Fig.9. COOLING WATER SYSTEM

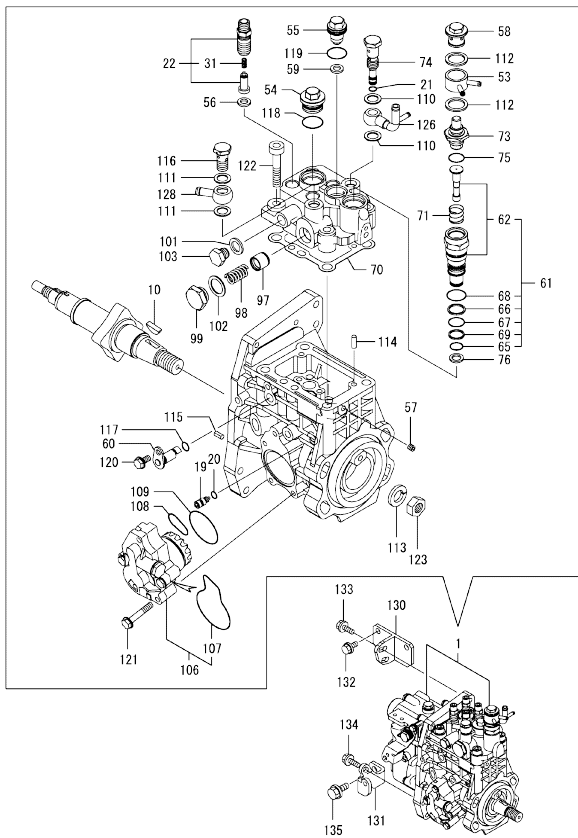


(A)=4TNV98-GGKM
(B)=
(C)=

(D)=
(E)=
(F)=

No.	Lev.	Parts No.	Description	Q'ty						I	R
				(A)	(B)	(C)	(D)	(E)	(F)		
1	1	129907-42000	PUMP ASSY, WATER	1							
11	1	129900-42020	GASKET, WATER PUMP	1							
12	1	26106-060302	BOLT, M6X 30 PLATED	2							
13	1	26106-080552	BOLT, M8X 55 PLATED	5							
14	1	129900-42461	V-PULLEY, C.W.PUMP	1							
15	1	26106-080122	BOLT, M8X 12 PLATED	4							
16	1	129906-49830	CASE ASSY,THERMOSTAT	1							
19	2	129980-49530	COVER, THERMOSTAT	1							
20	2	121850-49540	GASKET, THERMOSTAT	1							
21	2	129907-49730	RETAINER, PIPE	1							
22	2	129916-49740	PLUG, R3/8	2							
24	2	26106-060122	BOLT, M6X 12 PLATED	1							
25	2	26106-060202	BOLT, M6X 20 PLATED	2							
26	2	26106-060552	BOLT, M6X 55 PLATED	2							
27	1	129900-49870	GASKET, THERMOSTAT	1							
28	1	23414-080000	GASKET, 8X1.0	1							
29	1	26106-080122	BOLT, M8X 12 PLATED	1							
30	1	26106-080602	BOLT, M8X 60 PLATED	3							
31	1	119620-49290	COCK ASSY, 1/4	1							
35	1	121450-42450	PLUG, M16	2							
36	1	124465-44950	GASKET, 16	2							
37	1	129907-49610	HOSE ASSY, WATER	1							
38	2	129907-49710	HOSE, WATER	1							
39	2	129907-49750	TUBE, CORRUGATED	1							
40	2	124722-59050	CLAMP, HOSE 9	2							
41	1	129907-49620	HOSE ASSY, WATER	1							
42	2	129907-49720	HOSE, WATER	1							
43	2	124722-59050	CLAMP, HOSE 9	2							
44	1	129900-77330	ADJUSTER, BELT	1							
45	1	26014-080252	BOLT, M8X 25	1							
46	1	129052-42290	V-BELT, A40.5	1							
47	1	119810-77340	BOLT, ADJUST L=30	1							

Fig.10. FUEL INJECTION PUMP

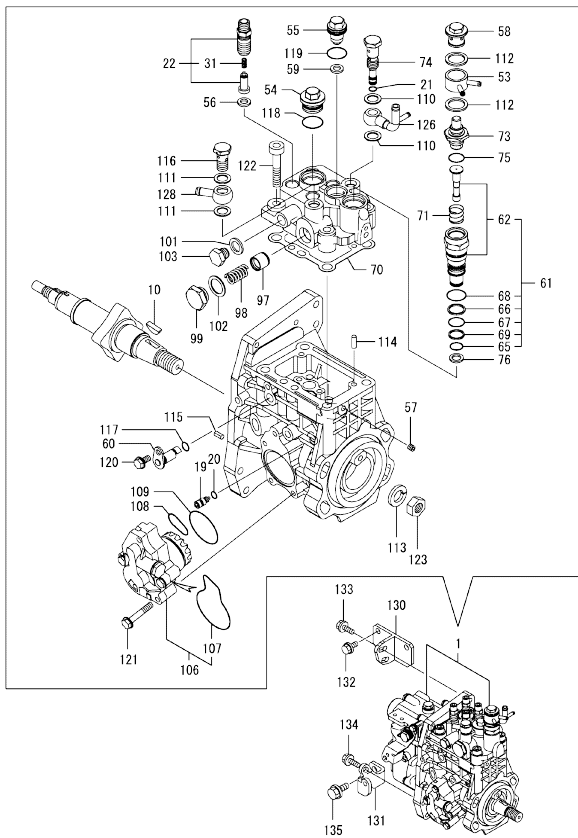


Remarks
 (1) GOVERNOR ASSY(FIG.11) IS
 INCORPORATED IN THIS FUEL
 INJECTION PUMP.(REF.NO.1).

No.	Lev.	Parts No.	Description	Q'ty						I	R	
				(A)	(B)	(C)	(D)	(E)	(F)			
1	1	729946-51390	FIE ASSY	1							1	
10	2	144626-51090	FEATHER KEY, 5X19	1								
19	2	158600-51270	STOPPER, TAPPET	1								
20	2	158563-51281	O-RING, 4D S6	1								
21	2	158563-51281	O-RING, 4D S6	1								
22	2	129509-51390	VALVE ASSY, DELIVERY	4								
31	3	158563-51330	SPRING, DELIVERY	4								
53	2	158553-51551	JOINT, COOLING WATER	1								
54	2	158601-51550	PLUG, M22	1								
55	2	129907-51560	PLUG, M16	1								
56	2	158552-51571	GASKET, PLUG	4								
57	2	158557-51570	PLUG, RACK	1								
58	2	158601-51570	PLUG	1								
59	2	129906-51580	GASKET, PLUG	1								
60	2	158552-51580	LIFTER, LINK	1								
61	2	119802-51590	TIMER ASSY	1								
62	3	119802-51600	TIMER ASSY	1								
65	3	158553-51670	O-RING	1								
66	3	119802-51680	RING, BACKUP	1								
67	3	119802-51690	O-RING	1								
68	3	24356-010200	O-RING, 4D1020	1								
69	3	24372-000150	RING, BACK UP T2P15	1								
70	2	158560-51600	GASKET	1								
71	2	158553-51630	SPRING, TIMER	1								
73	2	158553-51640	THERMOELEMENT	1								
74	2	158601-51650	JOINT, OVER FLOW	1								
75	2	158553-51660	O-RING, P14	1								
76	2	158553-51680	GASKET, TIMER	1								
97	2	158601-51770	PISTON, ACCUMULATOR	1								
98	2	158552-51781	SPRING, ACCUMULATOR	1								
99	2	158601-51790	PLUG	1								
101	2	22190-120002	WASHER, SEAL 12	1								
102	2	22190-180002	WASHER, SEAL 18	1								
103	2	23887-120002	PLUG, 12	1								
106	2	158552-52100	PUMP ASSY, FUEL FEED	1								
107	3	158552-52500	O-RING	1								
108	2	158552-52310	O-RING	1								
109	2	158552-52400	O-RING, 4E S42	1								
110	2	22190-120002	WASHER, SEAL 12	2								
111	2	22190-120002	WASHER, SEAL 12	2								
112	2	22190-180002	WASHER, SEAL 18	2								
113	2	22217-180000	WASHER, SPRING 18	1								
114	2	22312-050140	PIN, PARALLEL M5X14	2								
115	2	22351-050010	PIN, SPRING 5.0X10	2								
116	2	23857-060000	BOLT, JOINT 6	1								
117	2	24311-000070	O-RING, 1AP7.0	1								
118	2	24356-010200	O-RING, 4D1020	1								
119	2	24356-020210	O-RING, 4D2021	1								
120	2	26106-060102	BOLT, M6X 10 PLATED	1								
121	2	26106-060352	BOLT, M6X 35 PLATED	4								
122	2	26450-100452	BOLT, M10X 45	4								

N:Old $\frac{New}{Old}$ New, Q:Old $\frac{New}{Old}$ New, R:Old $\frac{New}{Old}$ New, S:Old $\frac{New}{Old}$ New, W:Add, Z:Discontinued, F:Interchangeable by set, K:Q'ty Change
 ++ CONTINUE ++
 Copyright (C) YANMAR GLOBAL CS CO., LTD. All Rights Reserved.

Fig.10. FUEL INJECTION PUMP



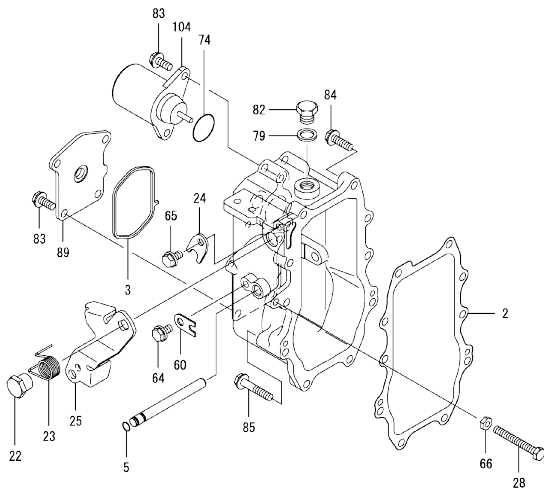
(A)=4TNV98-GGKM
(B)=
(C)=

(D)=
(E)=
(F)=

No.	Lev.	Parts No.	Description	Q'ty						I	R
				(A)	(B)	(C)	(D)	(E)	(F)		
123	2	26776-180002	NUT, LOCK M18	1							
126	2	158552-51670	JOINT, OVER FLOW	1							
128	2	129916-59020	JOINT, PIPE 12	1							
130	1	129907-01950	RETAINER, PUMP	1							
131	1	129907-01960	RETAINER, PUMP	1							
132	1	26106-080162	BOLT, M8X 16 PLATED	2							
133	1	26106-080222	BOLT, M8X 22 PLATED	2							
134	1	26106-080222	BOLT, M8X 22 PLATED	1							
135	1	26106-100202	BOLT, M10X 20 PLATED	1							

Remarks
(1) GOVERNOR ASSY(FIG.11) IS
INCORPORATED IN THIS FUEL
INJECTION PUMP.(REF.NO.1).

Fig.11. GOVERNOR



(A)=4TNV98-GGKM
(B)=
(C)=

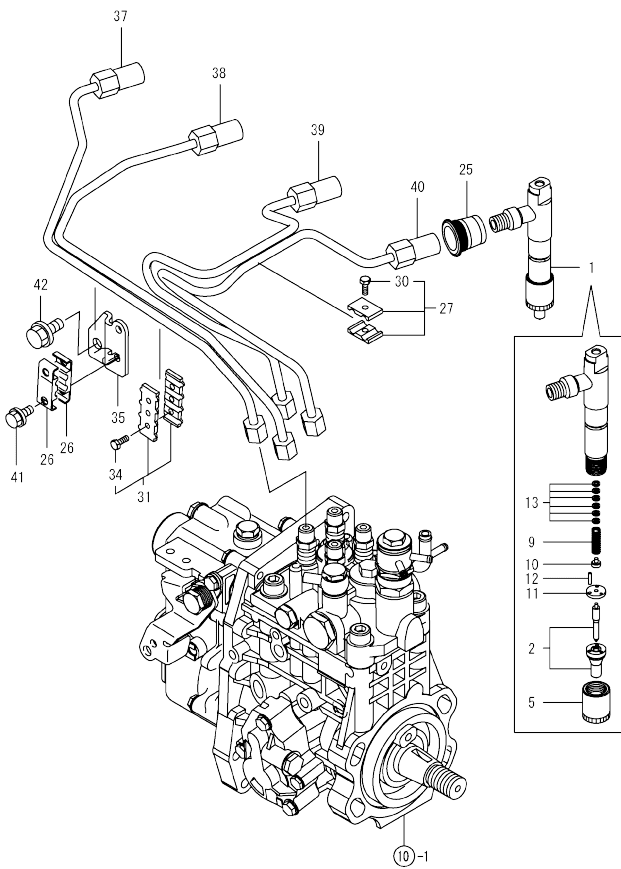
(D)=
(E)=
(F)=

No.	Lev.	Parts No.	Description	Q'ty					
				(A)	(B)	(C)	(D)	(E)	(F)
2	2	158560-61050	GASKET	1					
3	2	158560-61071	GASKET	1					
5	2	129155-51280	O-RING, S6	1					
22	2	129255-61410	NUT, M8	1					
23	2	119807-61420	SPRING, RETURN	1					
24	2	158560-61430	STOPPER, SHAFT	1					
25	2	129937-61440	LEVER, REGULATOR	1					
28	2	129155-61460	BOLT, LIMITING	1					
60	2	119660-61901	STOPPER, SHAFT	1					
64	2	26106-060102	BOLT, M6X 10 PLATED	1					
65	2	26106-060102	BOLT, M6X 10 PLATED	1					
66	2	26756-060002	NUT, LOCK M6	1					
74	2	158552-61900	O-RING	1					
79	2	22190-160002	WASHER, SEAL 16	1					
82	2	23887-160002	PLUG, 16	1					
83	2	26106-060142	BOLT, M6X 14 PLATED	6					
84	2	26106-060252	BOLT, M6X 25 PLATED	8					
85	2	26106-060402	BOLT, M6X 40 PLATED	2					
89	2	129946-61061	COVER, GOVERNOR CASE	1					
104	2	119653-77950	SOLENOID, STOP	1					

Remarks

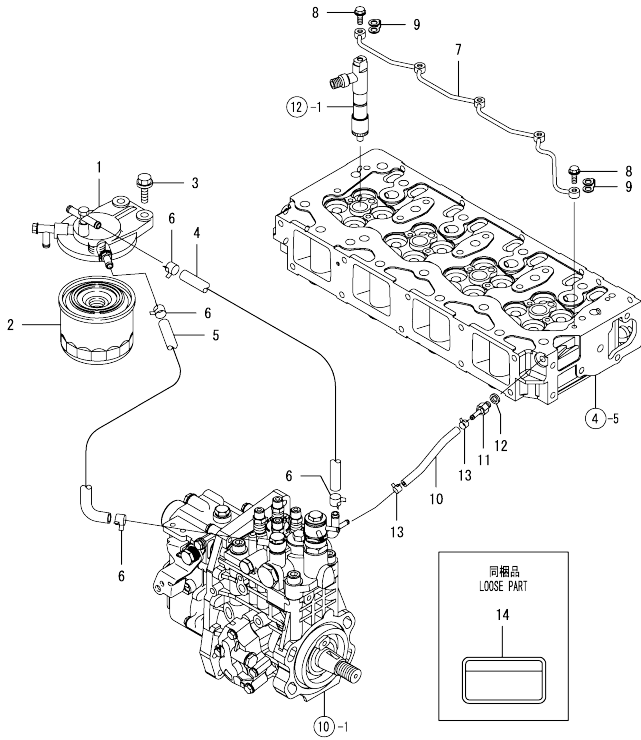
* THIS FIGURE(GOVERNOR ASSY)IS INCORPORATED IN THE FUEL INJECTION PUMP ASSY(FIG.10).

Fig.12. FUEL INJECTION VALVE



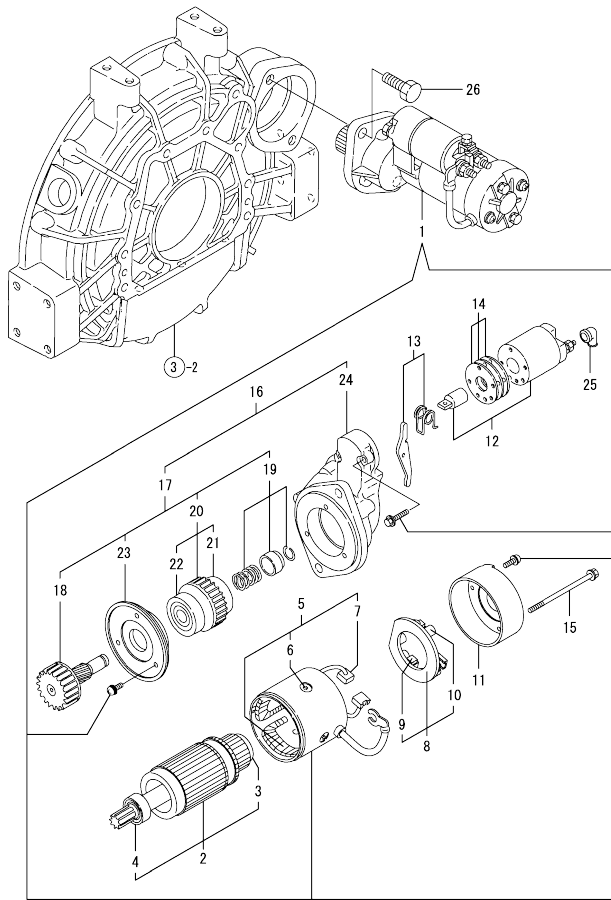
No.	Lev.	Parts No.	Description	Q'ty						I	R
				(A)	(B)	(C)	(D)	(E)	(F)		
1	1	729946-53300	FUEL INJECTOR ASSY	4							
2	2	129937-53000	NOZZLE ASSY, F.I.	4							
5	2	114250-53080	NUT, NOZZLE	4							
9	2	114250-53120	SPRING, NOZZLE	4							
10	2	114250-53130	SEAT, SPRING	4							
11	2	114250-53140	SPACER	4							
12	2	114250-53210	PIN	8							
13	2	114250-53400	SHIM SET	4							
25	1	123907-11601	SEAL, PIPE	4							
26	1	122780-59100	RETAINER	2							
27	1	119305-59120	RETAINER, PIPE	1							
30	2	129150-59131	BOLT, M4X14	1							
31	1	129550-59120	RETAINER, PIPE	1							
34	2	129150-59131	BOLT, M4X14	2							
35	1	129907-59710	SUPPORT	1							
37	1	129907-59810	PIPE ASSY, INJECTION	1							
38	1	129907-59820	PIPE ASSY, INJECTION	1							
39	1	129907-59830	PIPE ASSY, INJECTION	1							
40	1	129907-59840	PIPE ASSY, INJECTION	1							
41	1	26106-060162	BOLT, M6X 16 PLATED	2							
42	1	26106-080182	BOLT, M8X 18 PLATED	1							

Fig.13. FUEL LINE



No.	Lev.	Parts No.	Description	Q'ty						I	R
				(A)	(B)	(C)	(D)	(E)	(F)		
1	1	129004-55612	BRACKET, FILTER	1							
2	1	119802-55810	FILTER,FO	1							
3	1	26106-080302	BOLT, M8X 30 PLATED	2							
4	1	119773-59123	PIPE, FUEL RETURN	1							
5	1	129570-59121	PIPE, FUEL	1							
6	1	23000-016000	CLAMP, 16	4							
7	1	129907-59140	PIPE ASSY, RETURN	1							
8	1	123907-59540	BOLT, PIPE JOINT M6	5							
9	1	123907-59550	GASKET	5							
10	1	129495-59553	PIPE, FUEL	1							
11	1	123907-59560	JOINT, HOSE	1							
12	1	22190-080002	WASHER, SEAL 6	1							
13	1	23000-013000	CLAMP, 13	2							
14	1	114110-07760	LABEL, FUEL CAUTION	1							

Fig.14. STARTING MOTOR

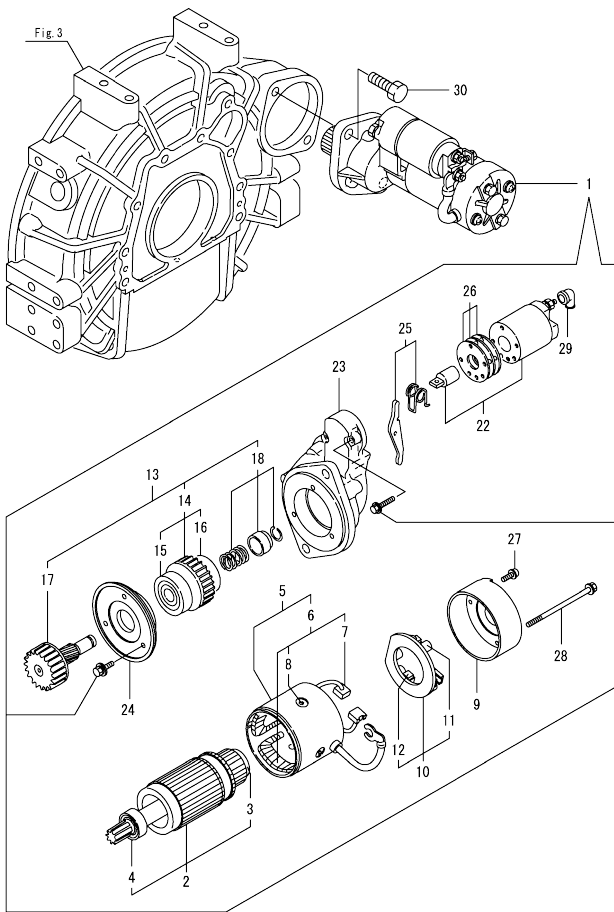


(A)=4TNV98-GGKM
(B)=
(C)=

(D)=
(E)=
(F)=

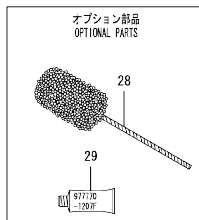
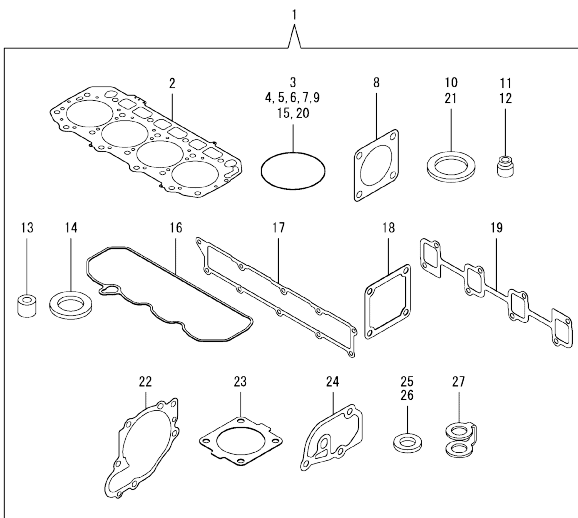
No.	Lev.	Parts No.	Description	Q'ty						I	R
				(A)	(B)	(C)	(D)	(E)	(F)		
1	1	129900-77010	STARTER ASSY	1							
2	2	129900-77400	ARMATURE ASSY	1							
3	3	X2114155110	BEARING, BALL	1							
4	3	X2114255110	BEARING, BALL	1							
5	2	129900-77440	COIL ASSY, FIELD	1							
6	3	171008-77450	SCREW, CORE SET	4							
7	3	129900-77450	BRUSH	2							
8	2	129900-77480	HOLDER ASSY, BRUSH	1							
9	3	129900-77450	BRUSH	2							
10	3	X2130631300	SPRING, BRUSH	4							
11	2	129900-77460	COVER	1							
12	2	129900-77591	SWITCH ASSY, MAGNET	1							
13	2	129900-77620	LEVER SET	1							
14	2	129900-77650	COVER KIT, DUST	1							
15	2	129900-77640	BOLT, THROUGH	2							
16	2	129900-77700	CASE ASSY, GEAR	1							
17	3	129900-77510	PINION ASSY, W/CLUTCH	1							
18	4	129900-77540	SHAFT, PINION	1							
19	4	129900-77550	STOPPER SET, PINION	1							
20	4	129900-77520	CLUTCH ASSY	1							
21	5	171008-77730	BEARING, BALL	1							
22	5	171008-77740	BEARING, BALL	1							
23	4	129900-77610	RETAINER, BEARING	1							
24	3	129900-77710	CASE, GEAR	1							
25	2	171008-77750	COVER, TERMINAL	1							
26	1	26116-120302	BOLT, M12X 30 PLATED	2							

Fig.16. (14A)STARTING MOTOR



No.	Lev.	Parts No.	Description	Q'ty						I	R
				(A)	(B)	(C)	(D)	(E)	(F)		
1	1	129900-77040	STARTER ASSY	1							
2	2	129900-77120	ARMATURE ASSY	1							
3	3	171008-77410	BEARING, BALL	1							
4	3	171008-77420	BEARING, BALL	1							
5	2	129900-77130	YOKE ASSY	1							
6	3	129900-77140	COIL ASSY, FIELD	1							
7	4	129900-77450	BRUSH	2							
8	4	171008-77450	SCREW, CORE SET	4							
9	2	129900-77150	COVER	1							
10	2	129900-77160	HOLDER ASSY, BRUSH	1							
11	3	X2130631300	SPRING, BRUSH	4							
12	3	129900-77450	BRUSH	2							
13	2	129900-77170	CLUTCH ASSY	1							
14	3	129900-77180	CLUTCH ASSY	1							
15	4	129900-77190	BEARING, BALL	1							
16	4	X2114955020	BEARING, BALL	1							
17	3	129900-77270	SHAFT, PINION	1							
18	3	171008-77670	STOPPER SET, PINION	1							
22	2	129900-77280	SWITCH ASSY, MAGNET	1							
23	2	129900-77290	CASE, GEAR	1							
24	2	129900-77380	RETAINER, BEARING	1							
25	2	129900-77390	LEVER ASSY, SHIFT	1							
26	2	129900-77420	COVER KIT, DUST	1							
27	2	129900-77430	SCREW, M4X10	2							
28	2	129685-77640	BOLT, THROUGH	2							
29	2	171008-77750	COVER, TERMINAL	1							
30	1	26116-120302	BOLT, M12X 30 PLATED	2							

Fig.15. GASKET SET



Remarks
(1) OPTIONAL PART.

No.	Lev.	Parts No.	Description	Qty						I	R	
				(A)	(B)	(C)	(D)	(E)	(F)			
1	1	729946-92680	GASKET SET	1							1	
2	2	129907-01331	GASKET, HEAD	1								
3	2	129900-32030	O-RING, P20	2								
4	2	129900-32040	O-RING, P14	1								
5	2	24311-000070	O-RING, 1AP7.0	1								
6	2	24351-030750	O-RING, 1A3075	1								
7	2	24311-000320	O-RING, 1AP32.0	2								
8	2	124240-01883	GASKET	1								
9	2	24341-000240	O-RING, 1AS24.0	1								
10	2	22190-220002	WASHER, SEAL 22	1								
11	2	119803-11340	SEAL, VALVE STEM	8								
12	2	124160-11340	SEAL, VALVE STEM	8								
13	2	119802-11870	PROTECTOR, NOZZLE	4								
14	2	119625-11880	SEAT, NOZZLE	4								
15	2	24311-000120	O-RING, 1AP12.0	8								
16	2	129933-11310	GASKET, BONNET	1								
17	2	129907-12110	GASKET, MANIFOLD	1								
18	2	121850-77021	GASKET, AIR HEATER	1								
19	2	129900-13251	GASKET, EXH.MANIFOLD	1								
20	2	24341-000530	O-RING, 1AS53.0	1								
21	2	22190-080002	WASHER, SEAL 6	7								
22	2	129900-42020	GASKET, WATER PUMP	1								
23	2	121850-49540	GASKET, THERMOSTAT	1								
24	2	129900-49870	GASKET, THERMOSTAT	1								
25	2	23414-080000	GASKET, 8X1.0	1								
26	2	124465-44950	GASKET, 16	2								
27	2	123907-59550	GASKET	5								
28	1	129400-92450	HONE, FLEX	1								1
29	1	977770-1207F	GASKET, LIQUID	1								1

Parts No. Index

Parts No.	Fig. No.	Ref. No.
114110-07760	13	14
114250-39450	8	12
114250-53080	12	5
114250-53120	12	9
114250-53130	12	10
114250-53140	12	11
114250-53210	12	12
114250-53400	12	13
119000-01840	3	4
119000-35140	8	3
119305-59120	12	27
119593-11301	4	31
119620-11180	4	15
119620-49290	9	31
119625-11880	4	27
	15	14
119640-01640	3	8
119640-61400	4	62
119653-77950	11	104
119660-61901	11	60
119773-59123	13	4
119802-11870	4	26
	15	13
119802-51590	10	61
119802-51600	10	62
119802-51680	10	66
119802-51690	10	67
119802-55810	13	2
119803-11340	4	16
	15	11
119807-61420	11	23
119810-77340	9	47
120130-22301	7	21
121023-01551	2	39
121450-42450	9	35
121520-34810	8	2
121850-21130	7	11
121850-21290	7	4
121850-21920	7	5
121850-49540	9	20
	15	23
121850-77021	5	5
	15	18
121850-77100	5	6
122780-59100	12	26
123900-25060	6	9
123907-03100	4	56
123907-03110	4	57
123907-03120	4	58
123907-03140	4	59

Parts No.	Fig. No.	Ref. No.
123907-11280	4	36
123907-11550	4	4
123907-11601	12	25
123907-11820	4	22
123907-11830	4	21
123907-39500	8	15
123907-59540	13	8
123907-59550	13	9
	15	27
123907-59560	13	11
124160-01751	2	34
	4	51
124160-11340	4	17
	15	12
124160-11360	4	65
124240-01871	2	36
124240-01883	2	37
	15	8
124411-01780	3	6
124465-44950	9	36
	15	26
124722-59050	9	40
	43	
127410-21480	7	14
129001-91810	2	22
	23	
129004-55612	13	1
129005-59830	8	17
129052-42290	9	46
129100-01580	2	4
	3	1
129150-02450	6	4
129150-11230	4	39
	43	
129150-11750	4	20
	40	
	44	
129150-14200	6	1
129150-25920	6	13
129150-35170	8	4
129150-59131	12	30
	34	
129155-51280	11	5
129155-61460	11	28
129255-61410	11	22
129400-92450	15	28
129495-59553	13	10
129509-51390	10	22
129550-59120	12	31
129570-59121	13	5

Parts No.	Fig. No.	Ref. No.
129685-77640	16	28
129795-01900	2	45
129900-01200	1	27
129900-01250	1	4
129900-01740	2	5
129900-01850	2	42
129900-01870	2	43
129900-02020	1	6
129900-02341	1	33
129900-02410	1	9
129900-02931	1	24
129900-02941	1	36
129900-13251	5	8
	15	19
129900-14100	6	6
129900-21200	7	3
129900-23001	7	23
129900-23200	7	26
129900-23601	7	27
129900-23611	7	30
129900-23911	7	29
129900-25100	6	10
129900-32001	2	8
129900-32030	2	20
	8	5
	15	3
129900-32040	2	21
	15	4
129900-34800	8	1
129900-35000	8	6
129900-42020	9	11
	15	22
129900-42461	9	14
129900-49870	9	27
	15	24
129900-77010	14	1
129900-77040	16	1
129900-77120	16	2
129900-77130	16	5
129900-77140	16	6
129900-77150	16	9
129900-77160	16	10
129900-77170	16	13
129900-77180	16	14
129900-77190	16	15
129900-77270	16	17
129900-77280	16	22
129900-77290	16	23
129900-77330	9	44
129900-77380	16	24

Parts No.	Fig. No.	Ref. No.
129900-77390	16	25
129900-77400	14	2
129900-77420	16	26
129900-77430	16	27
129900-77440	14	5
129900-77450	14	7
	9	
	16	7
	12	
129900-77460	14	11
129900-77480	14	8
129900-77510	14	17
129900-77520	14	20
129900-77540	14	18
129900-77550	14	19
129900-77591	14	12
129900-77610	14	23
129900-77620	14	13
129900-77640	14	15
129900-77650	14	14
129900-77700	14	16
129900-77710	14	24
129902-01710	3	7
129902-21000	7	1
129902-21580	7	12
129906-49830	9	16
129906-51580	10	59
129907-01190	1	29
129907-01331	1	28
	15	2
129907-01500	2	7
129907-01950	10	130
129907-01960	10	131
129907-03011	4	53
129907-03061	4	54
129907-03070	4	55
129907-07900	4	1
129907-11100	4	12
129907-11110	4	13
129907-11120	4	14
129907-11250	4	33
129907-11260	4	34
129907-11270	4	35
129907-11321	4	52
129907-11341	4	32
129907-11510	4	18
129907-11650	4	37
129907-11660	4	41
129907-11700	4	5
129907-11800	4	25

Parts No. Index

Parts No.	Fig. No.	Ref. No.
129907-11910	4	28
129907-11920	4	45
129907-11950	4	29
129907-12110	5	1
	15	17
129907-14400	6	2
129907-14581	6	3
129907-22050	7	17
129907-22090	7	15
129907-25900	6	16
129907-39061	8	13
129907-42000	9	1
129907-49610	9	37
129907-49620	9	41
129907-49710	9	38
129907-49720	9	42
129907-49730	9	21
129907-49750	9	39
129907-51560	10	55
129907-59140	13	7
129907-59710	12	35
129907-59810	12	37
129907-59820	12	38
129907-59830	12	39
129907-59840	12	40
129908-14581	6	3 -1
129910-07900	4	2
129916-01800	2	3
129916-21610	7	7
129916-49740	9	22
129916-59020	10	128
129927-42140	2	21 A
129933-11310	4	61
	15	16
129937-53000	12	2
129937-61440	11	25
129944-12110	5	2
129946-61061	11	89
129951-01620	3	2
129953-25300	6	15
129960-21640	7	8
129963-21650	7	9
129980-49530	9	19
144626-51090	10	10
158552-51571	10	56
158552-51580	10	60
158552-51670	10	126
158552-51781	10	98
158552-52100	10	106
158552-52310	10	108

Parts No.	Fig. No.	Ref. No.
158552-52400	10	109
158552-52500	10	107
158552-61900	11	74
158553-51551	10	53
158553-51630	10	71
158553-51640	10	73
158553-51660	10	75
158553-51670	10	65
158553-51680	10	76
158557-51570	10	57
158560-51600	10	70
158560-61050	11	2
158560-61071	11	3
158560-61430	11	24
158563-51150	6	17
158563-51281	10	20
		21
158563-51330	10	31
158600-51270	10	19
158601-51550	10	54
158601-51570	10	58
158601-51650	10	74
158601-51770	10	97
158601-51790	10	99
171008-77410	16	3
171008-77420	16	4
171008-77450	14	6
	16	8
171008-77670	16	18
171008-77730	14	21
171008-77740	14	22
171008-77750	14	25
	16	29
171051-01921	1	5
22190-080002	8	18
		20
		22
	13	12
	15	21
22190-120002	10	101
		110
		111
22190-160002	11	79
22190-180002	10	102
		112
22190-220002	3	10
	15	10
22217-180000	6	18
	10	113
22252-000300	7	22

Parts No.	Fig. No.	Ref. No.
22312-050140	10	114
22351-050010	10	115
22351-060012	1	10
22512-070140	6	7
	7	6
22857-500100	4	63
		64
23000-013000	13	13
23000-016000	13	6
23414-080000	9	28
	15	25
23857-030000	8	19
23857-060000	10	116
23876-020000	4	9
23876-030000	1	11
		12
		13
	4	10
23887-120002	10	103
23887-160002	11	82
24311-000070	2	25
	10	117
	15	5
24311-000120	4	30
		66
	15	15
24311-000320	2	35
	4	67
	15	7
24341-000240	2	40
	15	9
24341-000530	7	10
	15	20
24351-030750	2	26
	15	6
24356-010200	10	68
		118
24356-020210	10	119
24372-000150	10	69
26014-080252	9	45
26106-060102	10	120
	11	64
		65
26106-060122	9	24
26106-060142	11	83
26106-060162	2	41
	12	41
26106-060202	9	25
26106-060252	11	84
26106-060302	9	12

Parts No.	Fig. No.	Ref. No.
26106-060352	10	121
26106-060402	11	85
26106-060552	9	26
26106-080122	3	11
	8	11
		21
		23
	9	15
		29
26106-080142	5	7
26106-080162	2	27
		28
		38
		44
	4	3
	6	8
	10	132
26106-080182	12	42
26106-080202	2	29
26106-080222	10	133
		134
26106-080302	13	3
26106-080402	2	30
		31
	4	47
26106-080452	2	32
	5	3
26106-080552	6	14
	9	13
26106-080602	4	48
		49
	9	30
26106-080802	5	4
26106-100202	10	135
26116-120302	14	26
	16	30
26206-100352	3	5
26216-100302	2	19
26226-080222	4	46
26306-080002	4	50
26306-100002	2	33
26450-100452	10	122
26756-060002	11	66
26776-180002	6	19
	10	123
27241-300000	1	14
27241-400000	4	11
27310-070001	4	23
729900-02801	1	30
729907-01560	1	1

Parts No. Index

Parts No.	Fig. No.	Ref. No.
729907-01590	2	1
729907-22910	7	32
729907-22950	7	34
729946-51390	10	1
729946-53300	12	1
729946-92680	15	1
977770-1207F	15	29
X2114155110	14	3
X2114255110	14	4
X2114955020	16	16
X2130631300	14	10
	16	11

Parts No.	Fig. No.	Ref. No.
-----------	----------	----------

Parts No.	Fig. No.	Ref. No.
-----------	----------	----------

Parts No.	Fig. No.	Ref. No.
-----------	----------	----------