

OCR10-M56700EN

# PREFACE

1.This Parts Catalog carries all parts incorporated in YANMAR Model 4TNV98-NSA, 4TNV98-NSA2 and 4TNV98-GGE engine manufactured since January, 2004.

2.Each illustration corresponds to the parts list on the following page.

3.When ordering parts,clearly write down the engine model and serial number,as well as the name and number of each part in your order sheet. This will help insure reliable delivery of the parts you have ordered.

## Contents

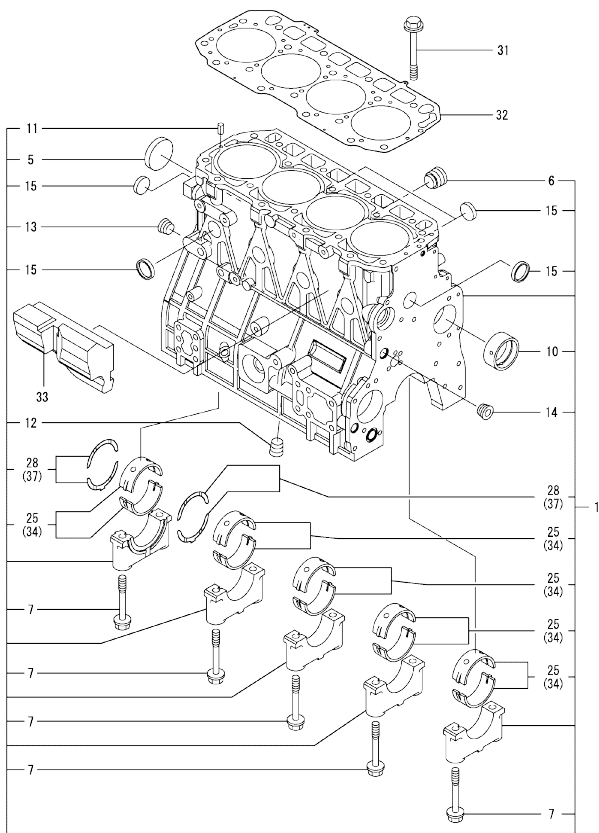
OCR10-M56700

Fig. No.	Fig. Name	Fig. No.	Fig. Name
ENGINE			
1.	CYLINDER BLOCK		
2.	GEAR HOUSING		
3.	GEAR HOUSING		
4.	FLYWHEEL HOUSING & OIL SUMP		
5.	FLYWHEEL HOUSING & OIL SUMP		
6.	CYLINDER HEAD & BONNET		
7.	SUCTION MANIFOLD		
8.	EXHAUST MANIFOLD		
9.	CAMSHAFT & DRIVING GEAR		
10.	CRANKSHAFT & PISTON		
11.	LUB. OIL SYSTEM		
12.	COOLING WATER SYSTEM		
13.	FUEL INJECTION PUMP		
14.	FUEL INJECTION VALVE		
15.	FUEL PIPING		
16.	STARTING MOTOR		
19.	(16A)STARTING MOTOR		
17.	GENERATOR		
18.	GASKET SET		

Fig.1. CYLINDER BLOCK

(A)=4TNV98-NSA  
(B)=4TNV98-NSA2  
(C)=4TNV98-GGE

(D)=  
(E)=  
(F)=



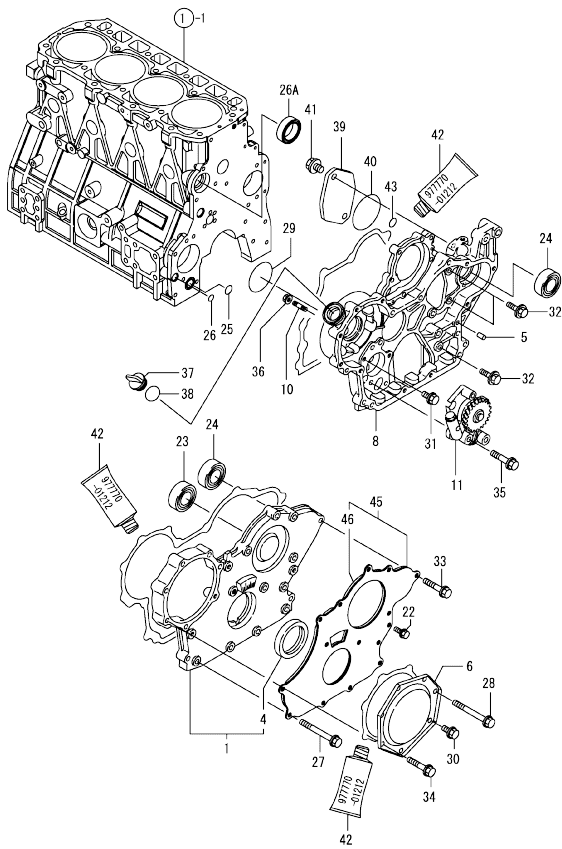
No.	Lev.	Parts No.	Description	Q'ty						I	R
				(A)	(B)	(C)	(D)	(E)	(F)		
1	1	729907-01560	BLOCK ASSY, CYLINDER	1	1	1					
5	2	129900-01250	PLUG, DISH TYPE 55	1	1	1					
6	2	171051-01921	PLUG, NPTF1	1	1	1					
7	2	129900-02020	BOLT, METAL CAP	10	10	10					
10	2	129900-02410	BUSH, CAMSHAFT	1	1	1					
11	2	22351-060012	PIN, SPRING 6.0X12	2	2	2					
12	2	23876-030000	PLUG, R03	1	1	1					
13	2	23876-030000	PLUG, R03	1	1	1					
14	2	23876-030000	PLUG, R03	1	1	1					
15	2	27241-300000	PLUG 30	8	8	8					
25	2	729900-02800	BEARING, MAIN	5	5	5					3
28	2	129900-02930	BEARING ASSY, THRUST	2	2	2					
31	1	129900-01200	BOLT, CYLINDER HEAD	18	18	18					
32	1	129907-01331	GASKET, HEAD	1	1	1					
33	1	129907-01190	SPACER	1	1	1					
34	1	129900-02340	BEARING ASSY, MAIN	5	5	5					1
37	1	129900-02940	BEARING, THRUST 0.25	2	2	2					2

Remarks  
(1)Under-sized(U.S.=0.25) parts.  
(2)Over-sized(O.S.=0.25) parts.  
(3)Repair parts.

Fig.2. GEAR HOUSING

(A)=4TNV98-NSA  
(B)=4TNV98-NSA2  
(C)=4TNV98-GGE

(D)=  
(E)=  
(F)=



No.	Lev.	Parts No.	Description	Qty						I	R
				(A)	(B)	(C)	(D)	(E)	(F)		
1	1	729907-01550	COVER ASSY,GEAR CASE	1	1						
4	2	129900-01780	SEAL, OIL	1	1						
5	1	129100-01580	PIN, PARALLEL 8X16	4	4						
6	1	129900-01740	COVER	1	1						
8	1	129962-01500	CASE, GEAR	1	1						
10	1	26216-100302	STUD, M10X 30	4	4						
11	1	129900-32001	PUMP ASSY, OIL	1	1						
22	1	26106-080162	BOLT, M8X 16 PLATED	3	3						
23	1	129900-14140	BEARING, BALL 6205	1	1						
24	1	129900-26250	BEARING, BALL 6206C3	2	2						
25	1	129900-32030	O-RING, P20	1	1						
26	1	129900-32040	O-RING, P14	1	1						
26A	1	129927-42140	GASKET, PUMP OUTLET	1	1						W
		(A=ET3407) (B=ET7966)									
27	1	129001-91810	BOLT, M8X70	6	6						
28	1	129001-91810	BOLT, M8X70	1	1						
29	1	24351-030750	O-RING, 1A3075	1	1						
30	1	26106-080162	BOLT, M8X 16 PLATED	1	1						
31	1	26106-080162	BOLT, M8X 16 PLATED	1	1						
32	1	26106-080202	BOLT, M8X 20 PLATED	3	3						
33	1	26106-080402	BOLT, M8X 40 PLATED	5	5						
34	1	26106-080402	BOLT, M8X 40 PLATED	5	5						
35	1	26106-080452	BOLT, M8X 45 PLATED	3	3						
36	1	26306-100002	NUT, M10	4	4						
37	1	124160-01751	CAP, FILLER	1	1						
38	1	24311-000320	O-RING, 1AP32.0	1	1						
39	1	121023-26070	COVER, PUMP	1	1						
40	1	24321-000850	O-RING, 1AG85.0	1	1						
41	1	26106-100202	BOLT, M10X 20 PLATED	2	2						
42	1	977770-01212	GASKET, LIQUID	1	1						1
43	1	24311-000070	O-RING, 1AP7.0	1	1						
45	1	129900-01850	COVER ASSY,GEAR CASE	1	1						
46	2	129900-01870	SPONGE, GEAR CASE	1	1						

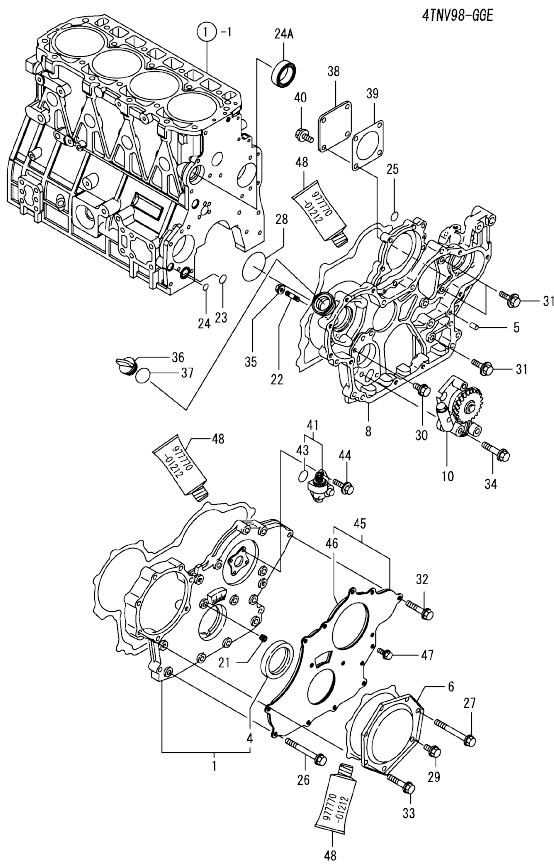
Remarks  
(1)Optional parts.

N:Old  $\frac{100}{100}$  New, Q:Old  $\frac{100}{100}$  New, R:Old  $\frac{100}{100}$  New, S:Old  $\frac{100}{100}$  New, W:Add, Z:Discontinued, F:Interchangeable by set, K:Qty Change  
Copyright (C) YANMAR CO., LTD. All Rights Reserved.

Fig.3. GEAR HOUSING

(A)=4TNV98-NSA  
(B)=4TNV98-NSA2  
(C)=4TNV98-GGE

(D)=  
(E)=  
(F)=

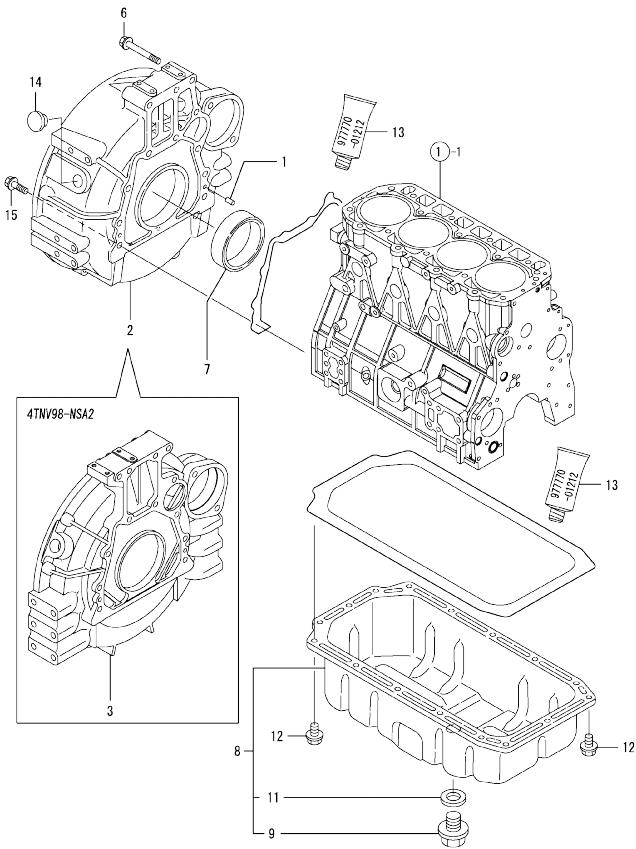


No.	Lev.	Parts No.	Description	Q'ty						I	R	
				(A)	(B)	(C)	(D)	(E)	(F)			
1	1	729907-01570	COVER ASSY,GEAR CASE									
4	2	129900-01780	SEAL, OIL									
5	1	129100-01580	PIN, PARALLEL 8X16									
6	1	129900-01740	COVER									
8	1	129907-01500	CASE, GEAR									
10	1	129900-32001	PUMP ASSY, OIL									
21	1	23876-010000	PLUG, R01									
22	1	26216-100302	STUD, M10X 30									
23	1	129900-32030	O-RING, P20									
24	1	129900-32040	O-RING, P14									
24A	1	129927-42140	GASKET, PUMP OUTLET (C=ET3352)									W
25	1	24311-000070	O-RING, 1AP7.0									
26	1	129001-91810	BOLT, M8X70									
27	1	129001-91810	BOLT, M8X70									
28	1	24351-030750	O-RING, 1A3075									
29	1	26106-080162	BOLT, M8X 16 PLATED									
30	1	26106-080162	BOLT, M8X 16 PLATED									
31	1	26106-080202	BOLT, M8X 20 PLATED									
32	1	26106-080402	BOLT, M8X 40 PLATED									
33	1	26106-080402	BOLT, M8X 40 PLATED									
34	1	26106-080452	BOLT, M8X 45 PLATED									
35	1	26306-100002	NUT, M10									
36	1	124160-01751	CAP, FILLER									
37	1	24311-000320	O-RING, 1AP32.0									
38	1	124240-01871	COVER, PUMP									
39	1	124240-01883	GASKET									
40	1	26106-080162	BOLT, M8X 16 PLATED									
41	1	129150-91400	GEAR									
43	2	24341-000240	O-RING, 1AS24.0									
44	1	26106-060162	BOLT, M6X 16 PLATED									
45	1	129900-01850	COVER ASSY,GEAR CASE									
46	2	129900-01870	SPONGE, GEAR CASE									
47	1	26106-080162	BOLT, M8X 16 PLATED									
48	1	977770-01212	GASKET, LIQUID									

Remarks  
(1)Optional parts.

N:Old  $\frac{100}{100}$  New, Q:Old  $\frac{100}{100}$  New, R:Old  $\frac{100}{100}$  New, S:Old  $\frac{100}{100}$  New, W:Add, Z:Discontinued, F:Interchangeable by set, K:Q'ty Change  
Copyright (C) YANMAR CO., LTD. All Rights Reserved.

Fig.4. FLYWHEEL HOUSING & OIL SUMP



(A)=4TNV98-NSA  
(B)=4TNV98-NSA2  
(C)=4TNV98-GGE

(D)=  
(E)=  
(F)=

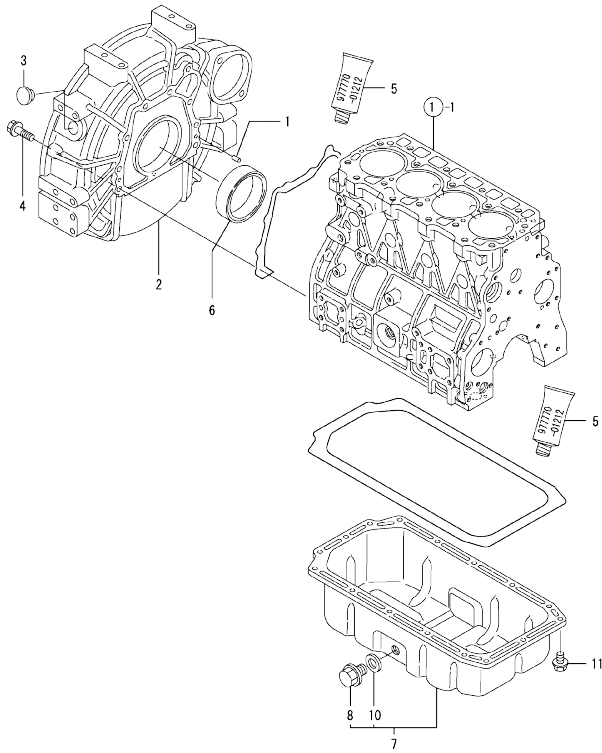
No.	Lev.	Parts No.	Description	Q'ty						I	R	
				(A)	(B)	(C)	(D)	(E)	(F)			
1	1	129100-01580	PIN, PARALLEL 8X16		2	2						
2	1	129955-01600	HOUSING, FLYWHEEL		1							
3	1	129900-01620	HOUSING, FLYWHEEL			1						
6	1	26206-100702	BOLT, M10X 70 PLATED		3	4						
7	1	124411-01780	SEAL, HTC95X115X12		1	1						
8	1	129916-01710	OIL PAN ASSY		1	1						
9	2	119640-01640	PLUG, DRAIN M22		1	1						
11	2	22190-220002	WASHER, SEAL 22		1	1						
12	1	26106-080122	BOLT, M8X 12 PLATED		16	16						
13	1	977770-01212	GASKET, LIQUID		1	1						1
14	1	119620-01750	CAP		1	1						
15	1	26206-100352	BOLT, M10X 35 PLATED		9	9						

Remarks

(1)Optional parts.

Fig.5. FLYWHEEL HOUSING & OIL SUMP

4TNV98-GGE



(A)=4TNV98-NSA  
(B)=4TNV98-NSA2  
(C)=4TNV98-GGE

(D)=  
(E)=  
(F)=

No.	Lev.	Parts No.	Description	Q'ty						I	R
				(A)	(B)	(C)	(D)	(E)	(F)		
1	1	129100-01580	PIN, PARALLEL 8X16			2					
2	1	129915-01610	HOUSING, FLYWHEEL			1					
3	1	119000-01840	PLUG, RUBBER			1					
4	1	26206-100352	BOLT, M10X 35 PLATED			9					
5	1	977770-01212	GASKET, LIQUID			1					1
6	1	124411-01780	SEAL, HTC95X115X12			1					
7	1	129982-01710	OIL PAN ASSY			1					
8	2	119640-01640	PLUG, DRAIN M22			1					
10	2	22190-220002	WASHER, SEAL 22			1					
11	1	26106-080122	BOLT, M8X 12 PLATED			16					

Remarks

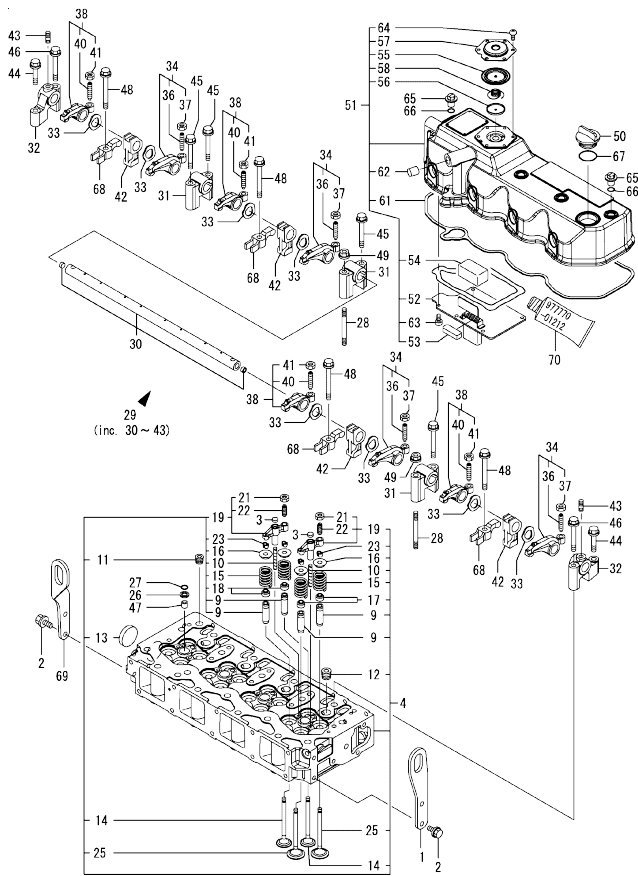
(1)Optional parts.



Fig.6. CYLINDER HEAD & BONNET

(A)=4TNV98-NSA  
(B)=4TNV98-NSA2  
(C)=4TNV98-GGE

(D)=  
(E)=  
(F)=

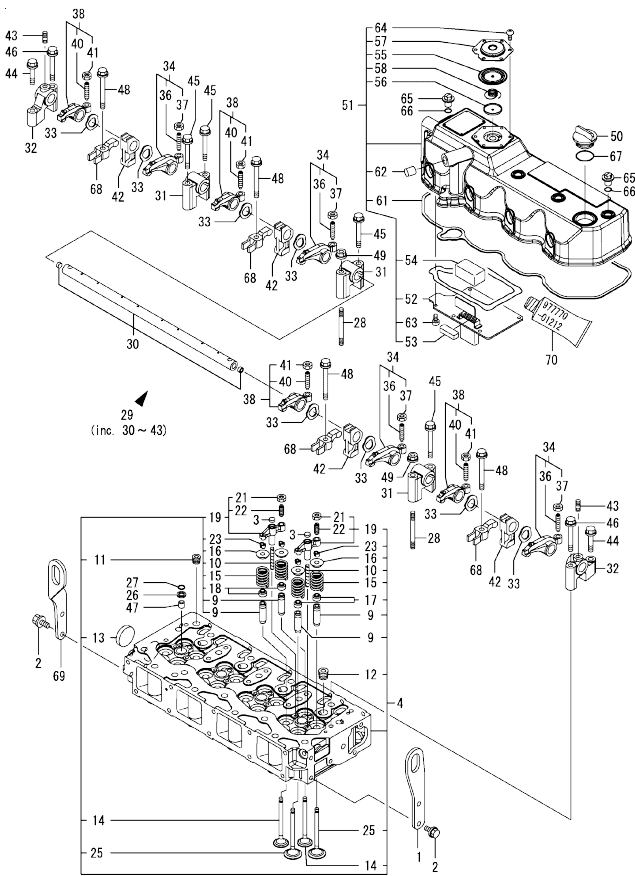


No.	Lev.	Parts No.	Description	Q'ty						I	R
				(A)	(B)	(C)	(D)	(E)	(F)		
1	1	129907-07900	LIFTER, ENGINE	1	1	1					
2	1	26106-080162	BOLT, M8X 16 PLATED	4	4	4					
3	1	123907-11550	SEAT, VALVE BRIDGE	8	8	8					
4	1	129907-11700	HEAD ASSY, CYLINDER	1	1	1					1
9	2	129907-11800	GUIDE, VALVE	16	16	16					
10	2	123907-11820	GUIDE, BRIDGE	8	8	8					
11	2	23876-020000	PLUG, R02	1	1	1					
12	2	23876-030000	PLUG, R03	4	4	4					
13	2	27241-400000	PLUG, 40	1	1	1					
14	2	129907-11110	VALVE, EXHAUST	8	8	8					
15	2	129907-11120	SPRING, VALVE	16	16	16					
16	2	119620-11180	RETAINER, SPRING	16	16	16					
17	2	124160-11340	SEAL, VALVE STEM	8	8	8					
18	2	124950-11340	SEAL, VALVE STEM	8	8	8					
19	2	129907-11510	BRIDGE ASSY, VALVE	8	8	8					
21	3	129150-11750	NUT, M8	8	8	8					
22	3	123907-11830	ADJUSTER	8	8	8					
23	2	27310-070001	COTTER, 7	16	16	16					
25	2	129907-11100	VALVE, SUCTION	8	8	8					
26	1	119625-11880	SEAT, NOZZLE	4	4	4					
27	1	24311-000120	O-RING, 1AP12.0	4	4	4					
28	1	119593-11301	BOLT, STUD M8X80	2	2	2					
29	1	129907-11341	SHAFT ASSY, ROCKER	1	1	1					
30	2	129907-11250	SHAFT, ROCKER ARM	1	1	1					
31	2	129907-11260	SUPPORT, ROCKER ARM	3	3	3					
32	2	129907-11270	SUPPORT, ROCKER ARM	2	2	2					
33	2	123907-11280	WASHER	8	8	8					
34	2	129907-11650	ARM ASSY, ROCKER	4	4	4					
36	3	129150-11230	SCREW, VALVE ADJUST	4	4	4					
37	3	129150-11750	NUT, M8	4	4	4					
38	2	129907-11660	ARM ASSY, ROCKER	4	4	4					
40	3	129150-11230	SCREW, VALVE ADJUST	4	4	4					
41	3	129150-11750	NUT, M8	4	4	4					
42	2	129907-11920	RETAINER, NOZZLE	4	4	4					
43	2	26226-080222	STUD, M8X 22	2	2	2					
44	1	26106-080402	BOLT, M8X 40 PLATED	2	2	2					
45	1	26106-080602	BOLT, M8X 60 PLATED	4	4	4					
46	1	26106-080602	BOLT, M8X 60 PLATED	2	2	2					
47	1	119802-11870	PROTECTOR, NOZZLE	4	4	4					
48	1	129907-11950	BOLT, M8X75	4	4	4					
49	1	26306-080002	NUT, M8	2	2	2					
50	1	124160-01751	CAP, FILLER	1	1	1					
51	1	129907-11320	BONNET ASSY, HEAD	1	1	1					
52	2	129907-03010	PLATE, BAFFLE	1	1	1					
53	2	129907-03060	BAFFLE, BREATHER	1	1	1					
54	2	129907-03070	BAFFLE, BREATHER	1	1	1					
55	2	123907-03100	DIAPHRAGM	1	1	1					
56	2	123907-03110	PLATE	1	1	1					
57	2	123907-03120	PLATE, BREATHER	1	1	1					
58	2	123907-03140	SPRING, DIAPHRAGM	1	1	1					
61	2	129907-11310	GASKET, BONNET	1	1	1					

N:Old  $\frac{100}{100}$  New, Q:Old  $\frac{100}{100}$  New, R:Old  $\frac{100}{100}$  New, S:Old  $\frac{100}{100}$  New, W:Add, Z:Discontinued, F:Interchangeable by set, K:Q'ty Change  
 ++ CONTINUE ++  
 Copyright (C) YANMAR CO., LTD. All Rights Reserved.

Remarks  
 (1)Repair parts.  
 (2)Optional parts.

Fig.6. CYLINDER HEAD & BONNET



(A)=4TNV98-NSA  
(B)=4TNV98-NSA2  
(C)=4TNV98-GGE

(D)=  
(E)=  
(F)=

No.	Lev.	Parts No.	Description	Q'ty						I	R
				(A)	(B)	(C)	(D)	(E)	(F)		
62	2	119640-61400	PLUG	1	1	1					
63	2	22857-500100	SCREW, 5X10	6	6	6					
64	2	22857-500100	SCREW, 5X10	6	6	6					
65	1	124160-11360	KNOB	4	4	4					
66	1	24311-000120	O-RING, 1AP12.0	4	4	4					
67	1	24311-000320	O-RING, 1AP32.0	1	1	1					
68	1	129907-11910	RETAINER, NOZZLE	4	4	4					
69	1	129910-07900	LIFTER, ENGINE	1	1	1					
70	1	977770-01212	GASKET, LIQUID	1	1	1					2

Remarks

- (1)Repair parts.
- (2)Optional parts.

Fig.7. SUCTION MANIFOLD

(A)=4TNV98-NSA  
 (B)=4TNV98-NSA2  
 (C)=4TNV98-GGE

(D)=  
 (E)=  
 (F)=

No.	Lev.	Parts No.	Description	Q'ty						I	R
				(A)	(B)	(C)	(D)	(E)	(F)		
1	1	129944-12110	MANIFOLD, AIR INTAKE	1	1	1					
2	1	129907-12110	GASKET, MANIFOLD	1	1	1					
3	1	26106-080452	BOLT, M8X 45 PLATED	8	8	8					
4	1	26106-080802	BOLT, M8X 80 PLATED	2	2	2					
5	1	121850-77021	GASKET, AIR HEATER	1	1	1					
6	1	129915-77050	HEATER, AIR 12V	1	1	1					
7	1	26106-080352	BOLT, M8X 35 PLATED	4	4	4					

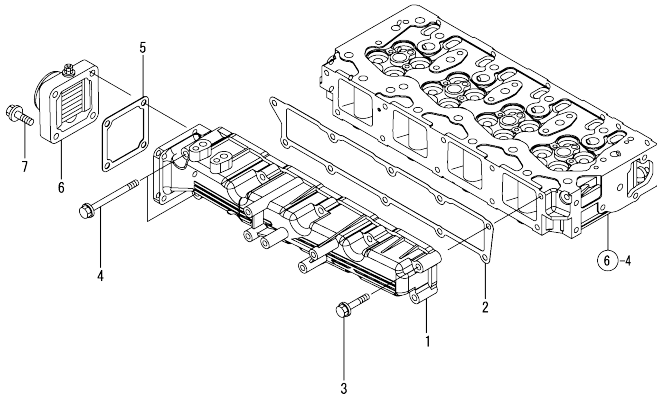


Fig.8. EXHAUST MANIFOLD

(A)=4TNV98-NSA  
 (B)=4TNV98-NSA2  
 (C)=4TNV98-GGE

(D)=  
 (E)=  
 (F)=

No.	Lev.	Parts No.	Description	Q'ty					
				(A)	(B)	(C)	(D)	(E)	(F)
1	1	129907-13200	MANIFOLD, EXHAUST	1	1	1			
2	1	129930-13200	GASKET, SILENCER	1	1	1			
3	1	129900-13251	GASKET, EXH.MANIFOLD	1	1	1			
4	1	123900-13610	BOLT, STUD M8X80	2	2	2			
5	1	123900-13630	BOLT, M8X80	6	6	6			
6	1	119131-18320	BOLT, STUD M8X22	4	4	4			
7	1	26306-080002	NUT, M8	2	2	2			

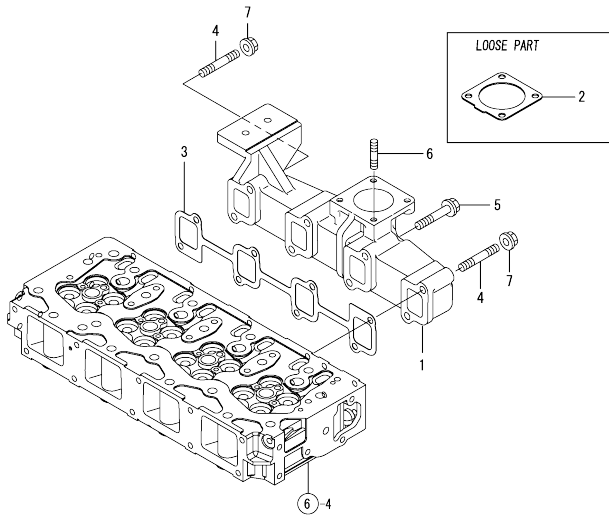
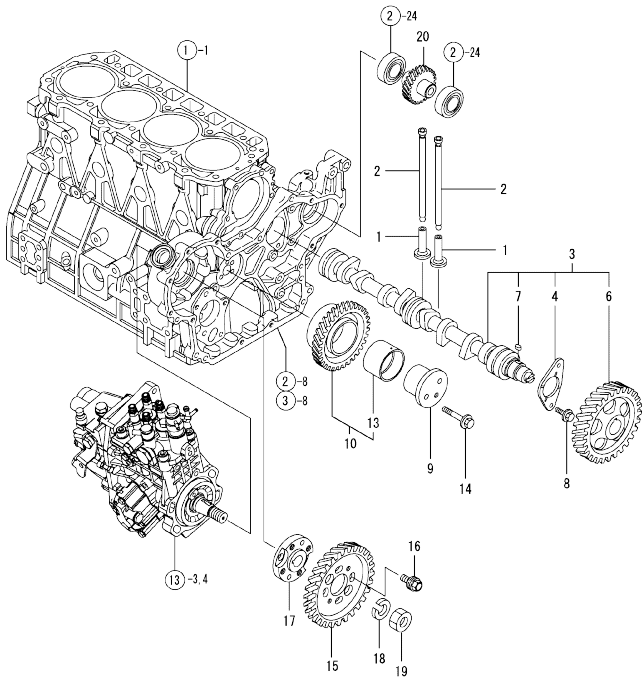


Fig.9. CAMSHAFT & DRIVING GEAR



(A)=4TNV98-NSA  
(B)=4TNV98-NSA2  
(C)=4TNV98-GGE

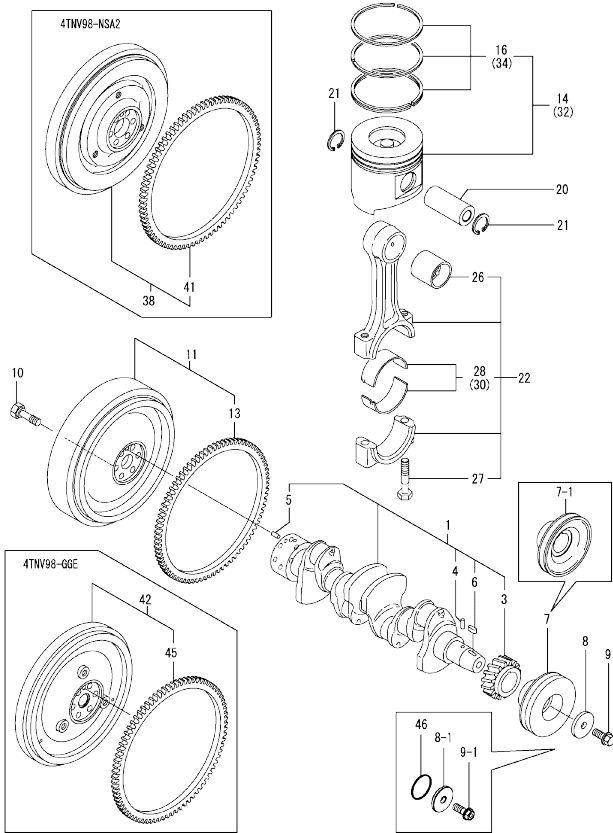
(D)=  
(E)=  
(F)=

No.	Lev.	Parts No.	Description	Q'ty						I	R
				(A)	(B)	(C)	(D)	(E)	(F)		
1	1	129150-14200	TAPPET	8	8	8					
2	1	129907-14400	PUSH-ROD	8	8	8					
3	1	129907-14581	CAMSHAFT ASSY	1	1	1					
3-1	1	129908-14581	CAMSHAFT ASSY	1	1	1					N
		(A=EZZZZZ) (B=EZZZZZ) (C=EZZZZZ)									
4	2	129150-02450	BEARING, THRUST	1	1	1					
6	2	129900-14100	GEAR, CAMSHAFT	1	1	1					
7	2	22512-070140	KEY, 7X 14	1	1	1					
8	1	26106-080162	BOLT, M8X 16 PLATED	2	2	2					
9	1	123900-25060	SHAFT, IDLE GEAR	1	1	1					
10	1	129900-25100	GEAR ASSY, IDLE	1	1	1					
13	2	129150-25920	BUSH, IDLE GEAR	1	1	1					1
14	1	26106-080552	BOLT, M8X 55 PLATED	3	3	3					
15	1	123907-25909	GEAR, PUMP	1	1	1					
16	1	129953-25300	BOLT	4	4	4					
17	1	158563-51150	FLANGE	1	1	1					
18	1	22217-180000	WASHER, SPRING 18	1	1	1					
19	1	26776-180002	NUT, LOCK M18	1	1	1					
20	1	129980-26200	GEAR, PUMP	1	1						

Remarks  
(1)Repair parts.

N:Old  $\frac{100}{100}$  New, Q:Old  $\frac{100}{100}$  New, R:Old  $\frac{100}{100}$  New, S:Old  $\frac{100}{100}$  New, W:Add, Z:Discontinued, F:Interchangeable by set, K:Q'ty Change  
Copyright (C) YANMAR CO., LTD. All Rights Reserved.

Fig.10. CRANKSHAFT & PISTON



(A)=4TNV98-NSA  
(B)=4TNV98-NSA2  
(C)=4TNV98-GGE

(D)=  
(E)=  
(F)=

No.	Lev.	Parts No.	Description	Qty						I	R
				(A)	(B)	(C)	(D)	(E)	(F)		
1	1	129902-21000	CRANKSHAFT ASSY	1	1	1					
3	2	129900-21200	GEAR, CRANKSHAFT	1	1	1					
4	2	121850-21290	PIN	1	1	1					
5	2	121850-21920	PIN, PARALLEL 10X22	1	1	1					
6	2	22512-070140	KEY, 7X 14	1	1	1					
7	1	129907-21660	V-PULLEY, CRANK 130	1	1	1					
7-1	1	129900-21660	V-PULLEY, CRANK 130	1	1	1					R
		(A=EE9999) (B=EU3205) (C=EE8293)									
8	1	129900-21640	WASHER	1	1	1					
8-1	1	129960-21940	WASHER, V-PULLEY	1	1	1					N
		(A=E134924) (B=E138907) (C=E134871)									
9	1	121850-21680	BOLT	1	1	1					
9-1	1	129916-21610	BOLT, V-PULLEY	1	1	1					N
		(A=E134924) (B=E138907) (C=E134871)									
10	1	121850-21130	BOLT, FLYWHEEL	6	6	6					
11	1	129955-21590	FLYWHEEL ASSY	1							
13	2	129900-21600	GEAR, RING	1							
14	1	129907-22090	PISTON ASSY, 18.5	4	4	4					
16	2	129907-22050	RING SET, PISTON	4	4	4					
20	1	120130-22301	PIN, PISTON	4	4	4					
21	1	22252-000300	RING, 30	8	8	8					
22	1	129900-23000	ROD ASSY, CONNECTING	4	4	4					1
26	2	129900-23910	BEARING, PISTON PIN	4	4	4					
27	2	129900-23200	BOLT, CONNECTING ROD	8	8	8					
28	2	129900-23600	BEARING, CRANK PIN	4	4	4					
30	1	129900-23610	BEARING ASSY, 0.25US	4	4	4					2
32	1	729907-22910	PISTON ASSY, 0.25 OS	4	4	4					3
34	2	729907-22950	RING SET, 0.25 OS	4	4	4					3
38	1	129953-21570	FLYWHEEL ASSY	1							
41	2	129900-21600	GEAR, RING	1							
42	1	129920-21580	FLYWHEEL ASSY								1
45	2	127410-21480	GEAR, RING Z=129								1
46	1	129960-21930	GASKET, WASHER	1	1	1					W
		(A=E134924) (B=E138907) (C=E134871)									

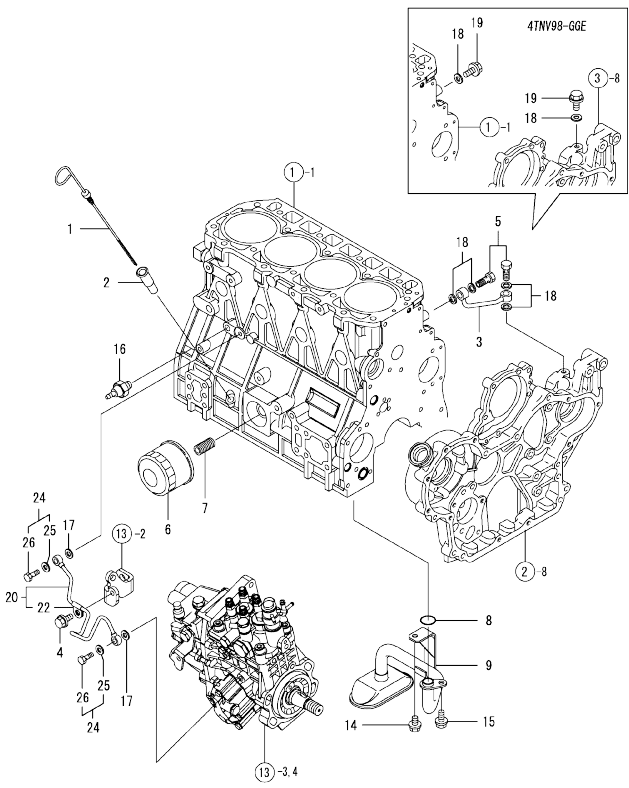
Remarks  
(1)Repair parts.  
(2)Under-sized(U.S.=0.25) parts.  
(3)Over-sized(O.S.=0.25) parts.

Fig.11. LUB. OIL SYSTEM

(A)=4TNV98-NSA  
 (B)=4TNV98-NSA2  
 (C)=4TNV98-GGE

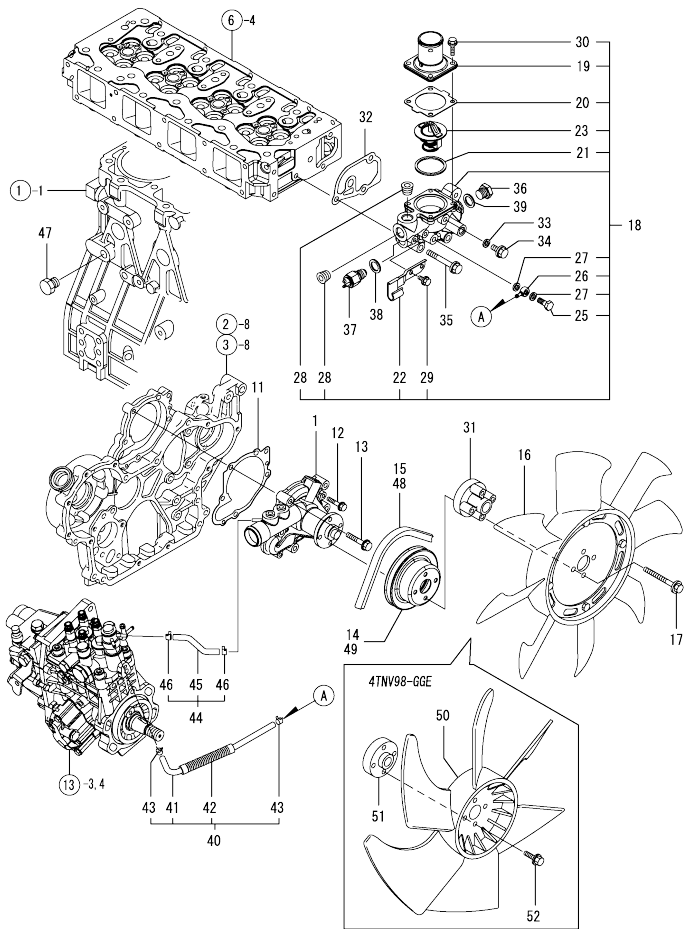
(D)=  
 (E)=  
 (F)=

No.	Lev.	Parts No.	Description	Q'ty					
				(A)	(B)	(C)	(D)	(E)	(F)
1	1	129953-34830	DIPSTICK	1	1	1			
2	1	121520-34810	GUIDE, DIPSTICK	1	1	1			
3	1	129930-39050	PIPE, OIL	1	1	1			
4	1	26106-080122	BOLT, M8X 12 PLATED	1	1	1			
5	1	105010-39140	BOLT, PIPE JOINT	2	2				
6	1	129150-35170	FILTER,LO	1	1	1			
7	1	119000-35140	BOLT, STUD FILTER	1	1	1			
8	1	129900-32030	O-RING, P20	1	1	1			
9	1	129953-35000	PIPE ASSY, OIL INLET	1	1	1			
14	1	26106-080122	BOLT, M8X 12 PLATED	1	1	1			
15	1	26106-080162	BOLT, M8X 16 PLATED	1	1	1			
16	1	114250-39450	SWITCH, HYDRAULIC	1	1	1			
17	1	22190-080002	WASHER, SEAL 6	2	2	2			
18	1	22190-080002	WASHER, SEAL 6	4	4	2			
19	1	26106-080122	BOLT, M8X 12 PLATED			2			
20	1	129907-39061	PIPE ASSY, OIL	1	1	1			
22	2	123907-39500	RETAINER, PIPE	1	1	1			
24	1	129005-59830	BOLT ASSY, JOINT M8	2	2	2			
25	2	22190-080002	WASHER, SEAL 6	2	2	2			
26	2	23857-030000	BOLT, JOINT 3	2	2	2			



Remarks  
 (1)Repair parts.

Fig.12. COOLING WATER SYSTEM



(A)=4TNV98-NSA  
(B)=4TNV98-NSA2  
(C)=4TNV98-GGE

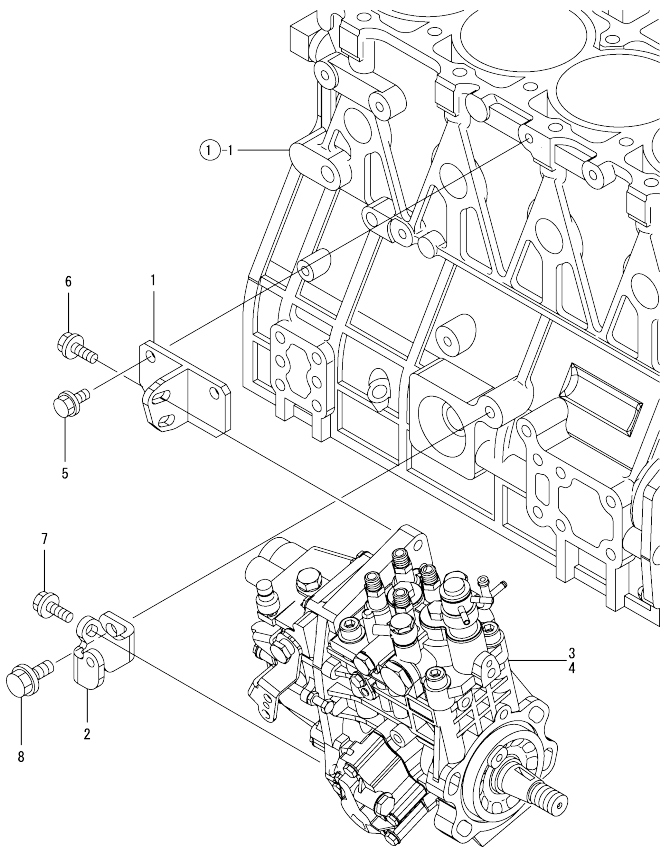
(D)=  
(E)=  
(F)=

No.	Lev.	Parts No.	Description	Q'ty						I	R
				(A)	(B)	(C)	(D)	(E)	(F)		
1	1	129907-42000	PUMP ASSY, WATER	1	1	1					
11	1	129900-42020	GASKET, WATER PUMP	1	1	1					
12	1	26106-060302	BOLT, M6X 30 PLATED	2	2	2					
13	1	26106-080552	BOLT, M8X 55 PLATED	5	5	5					
14	1	129900-42450	V-PULLEY, C.W.PUMP	1	1						
15	1	25132-004150	V-BELT, A41.5	1	1						
16	1	129920-44740	FAN, COOLING	1	1						
17	1	26106-080552	BOLT, M8X 55 PLATED	4	4						
18	1	129907-49800	CASE ASSY, THERMOSTAT	1	1	1					
19	2	129916-49530	COVER, THERMOSTAT	1	1	1					
20	2	121850-49540	GASKET, THERMOSTAT	1	1	1					
21	2	121850-49550	GASKET, THERMOSTAT	1	1	1					
22	2	129907-49730	RETAINER, PIPE	1	1	1					
23	2	121850-49810	THERMOSTAT, 71C	1	1	1					
25	2	105582-59150	BOLT, PIPE JOINT M8	1	1	1					
26	2	23387-040800	JOINT, HOSE 4-8	1	1	1					
27	2	23414-080000	GASKET, 8X1.0	2	2	2					
28	2	23875-030000	PLUG, R03	2	2	2					
29	2	26106-060122	BOLT, M6X 12 PLATED	2	2	2					
30	2	26106-060202	BOLT, M6X 20 PLATED	4	4	4					
31	1	119141-44760	SPACER, FAN	1	1						
32	1	129900-49870	GASKET, THERMOSTAT	1	1	1					
33	1	23414-080000	GASKET, 8X1.0	1	1	1					
34	1	26106-080122	BOLT, M8X 12 PLATED	1	1	1					
35	1	26106-080602	BOLT, M8X 60 PLATED	3	3	3					
36	1	121450-42450	PLUG, M16	1	1	1					
37	1	121250-44901	SWITCH, THERMO 110	1	1	1					
38	1	124465-44950	GASKET, 16	1	1	1					
39	1	124465-44950	GASKET, 16	1	1	1					
40	1	129907-49610	HOSE ASSY, WATER	1	1	1					
41	2	129907-49710	HOSE, WATER	1	1	1					
42	2	129907-49750	TUBE, CORRUGATED	1	1	1					
43	2	124722-59050	CLAMP, HOSE 9	2	2	2					
44	1	129907-49620	HOSE ASSY, WATER	1	1	1					
45	2	129907-49720	HOSE, WATER	1	1	1					
46	2	124722-59050	CLAMP, HOSE 9	2	2	2					
47	1	171056-49120	PLUG, DRAIN R1/4	1	1	1					
48	1	129052-42290	V-BELT, A40.5								1
49	1	129900-42461	V-PULLEY, C.W.PUMP								1
50	1	129916-44740	FAN, COOLING D=430								1
51	1	119130-44760	SPACER, FAN								1
52	1	26106-080302	BOLT, M8X 30 PLATED								4

N:Old  $\frac{100}{100}$  New, Q:Old  $\frac{100}{100}$  New, R:Old  $\frac{100}{100}$  New, S:Old  $\frac{100}{100}$  New, W:Add, Z:Discontinued, F:Interchangeable by set, K:Q'ty Change  
Copyright (C) YANMAR CO., LTD. All Rights Reserved.



Fig.13. FUEL INJECTION PUMP

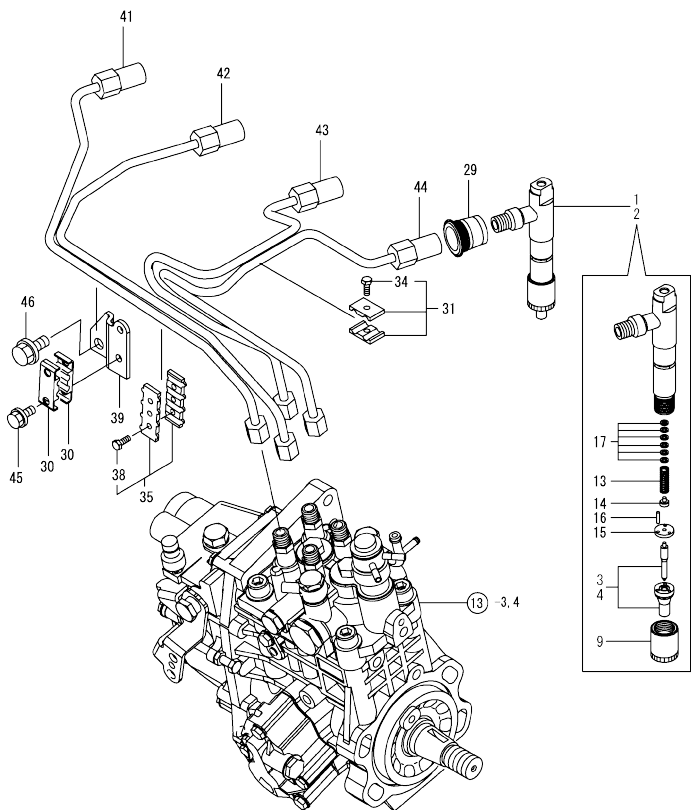


(A)=4TNV98-NSA  
(B)=4TNV98-NSA2  
(C)=4TNV98-GGE

(D)=  
(E)=  
(F)=

No.	Lev.	Parts No.	Description	Q'ty					
				(A)	(B)	(C)	(D)	(E)	(F)
1	1	129907-01950	RETAINER, PUMP	1	1	1			
2	1	129907-01960	RETAINER, PUMP	1	1	1			
3	1	729907-51320	FIE ASSY	1	1				
4	1	729946-51390	FIE ASSY				1		
5	1	26106-080162	BOLT, M8X 16 PLATED	2	2	2			
6	1	26106-080222	BOLT, M8X 22 PLATED	2	2	2			
7	1	26106-080222	BOLT, M8X 22 PLATED	1	1	1			
8	1	26106-100202	BOLT, M10X 20 PLATED	1	1	1			

Fig.14. FUEL INJECTION VALVE



(A)=4TNV98-NSA  
(B)=4TNV98-NSA2  
(C)=4TNV98-GGE

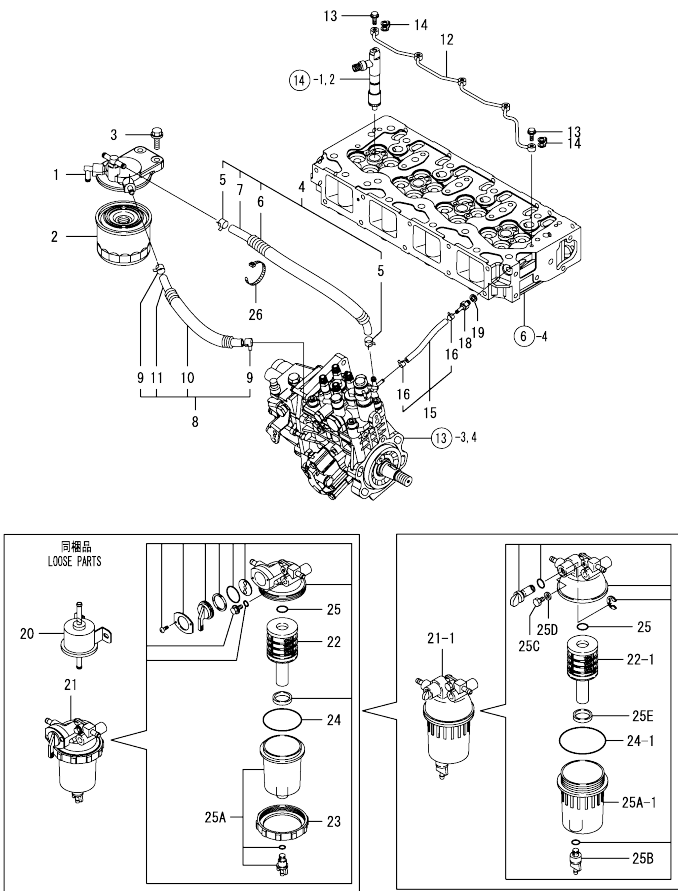
(D)=  
(E)=  
(F)=

No.	Lev.	Parts No.	Description	Q'ty					
				(A)	(B)	(C)	(D)	(E)	(F)
1	1	729907-53100	FUEL INJECTOR ASSY	4	4				
2	1	729946-53300	FUEL INJECTOR ASSY			4			
3	2	129907-53000	NOZZLE ASSY, F.I.	4	4				
4	2	129937-53000	NOZZLE ASSY, F.I.				4		
9	2	114250-53080	NUT, NOZZLE	4	4		4		
13	2	114250-53120	SPRING, NOZZLE	4	4		4		
14	2	114250-53130	SEAT, SPRING	4	4		4		
15	2	114250-53140	SPACER	4	4		4		
16	2	114250-53210	PIN	8	8		8		
17	2	114250-53400	SHIM SET	4	4		4		
29	1	123907-11601	SEAL, PIPE	4	4		4		
30	1	122780-59100	RETAINER	2	2		2		
31	1	119305-59120	RETAINER, PIPE	1	1		1		
34	2	129150-59131	BOLT, M4X14	1	1		1		
35	1	129550-59120	RETAINER, PIPE	1	1		1		
38	2	129150-59131	BOLT, M4X14	2	2		2		
39	1	129907-59710	SUPPORT	1	1		1		
41	1	129907-59810	PIPE ASSY, INJECTION	1	1		1		
42	1	129907-59820	PIPE ASSY, INJECTION	1	1		1		
43	1	129907-59830	PIPE ASSY, INJECTION	1	1		1		
44	1	129907-59840	PIPE ASSY, INJECTION	1	1		1		
45	1	26106-060162	BOLT, M6X 16 PLATED	2	2		2		
46	1	26106-080182	BOLT, M8X 18 PLATED	1	1		1		

Fig.15. FUEL PIPING

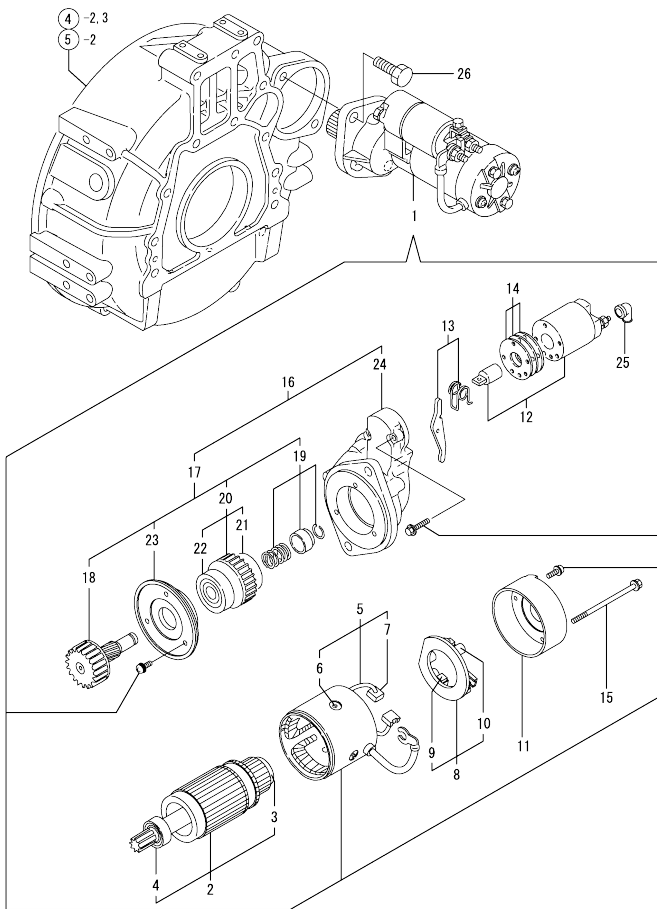
(A)=4TNV98-NSA  
(B)=4TNV98-NSA2  
(C)=4TNV98-GGE

(D)=  
(E)=  
(F)=



No.	Lev.	Parts No.	Description	Q'ty						I	R
				(A)	(B)	(C)	(D)	(E)	(F)		
1	1	129004-55610	BRACKET, FILTER	1	1	1					
2	1	119802-55800	FILTER, FUEL	1	1	1					
3	1	26106-080302	BOLT, M8X 30 PLATED	2	2	2					
4	1	129457-59010	HOSE ASSY, FUEL	1	1	1					
5	2	124766-59050	CLAMP, HOSE 11.5	2	2	2					
6	2	129957-59120	TUBE, CORRUGATED 15	1	1	1					
7	2	105025-59750	HOSE, FUEL	1	1	1					
8	1	129981-59010	HOSE ASSY, FUEL	1	1	1					
9	2	124766-59050	CLAMP, HOSE 11.5	2	2	2					
10	2	129950-59221	TUBE, CORRUGATED 15	1	1	1					
11	2	129980-59510	HOSE, FUEL	1	1	1					
12	1	129907-59140	PIPE ASSY, RETURN	1	1	1					
13	1	123907-59540	BOLT, PIPE JOINT M6	5	5	5					
14	1	123907-59550	GASKET	5	5	5					
15	1	129486-59551	HOSE ASSY, RETURN	1	1	1					
16	2	124722-59050	CLAMP, HOSE 9	2	2	2					
18	1	123907-59560	JOINT, HOSE	1	1	1					
19	1	22190-080002	WASHER, SEAL 6	1	1	1					
20	1	119225-52102	PUMP, FUEL FEED	1	1	1					
21	1	119802-55700	SEPARATOR ASSY,WATER	1	1	1					
21-1	1	129242-55700	SEPARATOR ASSY,WATER	1	1	1					N
		(A=**2008.08.)	(B=**2008.08.)	(C=**2008.08.)							
22	2	119802-55710	ELEMENT	1	1	1					
22-1	2	129242-55730	ELEMENT, FUEL	1	1	1					S
		(A=**2008.08.)	(B=**2008.08.)	(C=**2008.08.)							
23	2	129100-55690	RING, CUP RETAINING	1	1	1					Z
		(A=**2008.08.)	(B=**2008.08.)	(C=**2008.08.)							
24	2	24321-000650	O-RING, 1AG65.0	1	1	1					
24-1	2	24321-000750	O-RING, 1AG75.0	1	1	1					S
		(A=**2008.08.)	(B=**2008.08.)	(C=**2008.08.)							
25	2	24311-000160	O-RING, 1AP16.0	1	1	1					
25A	2	119802-55730	CUP ASSY, SEPARATOR	1	1	1					W
		(A=FROM 1ST)	(B=FROM 1ST)	(C=FROM 1ST)							
25A-1	2	129242-55720	CUP, SEPARATOR	1	1	1					S
		(A=**2008.08.)	(B=**2008.08.)	(C=**2008.08.)							
25B	2	129242-55740	PLUG, DRAIN	1	1	1					W
		(A=**2008.08.)	(B=**2008.08.)	(C=**2008.08.)							
25C	2	129242-55750	VALVE, AIR VENT	1	1	1					W
		(A=**2008.08.)	(B=**2008.08.)	(C=**2008.08.)							
25D	2	129242-55760	GASKET, PLUG	1	1	1					W
		(A=**2008.08.)	(B=**2008.08.)	(C=**2008.08.)							
25E	2	129242-55770	FLOAT	1	1	1					W
		(A=**2008.08.)	(B=**2008.08.)	(C=**2008.08.)							
26	1	121750-59890	BAND, NYLON	1	1	1					

Fig.16. STARTING MOTOR

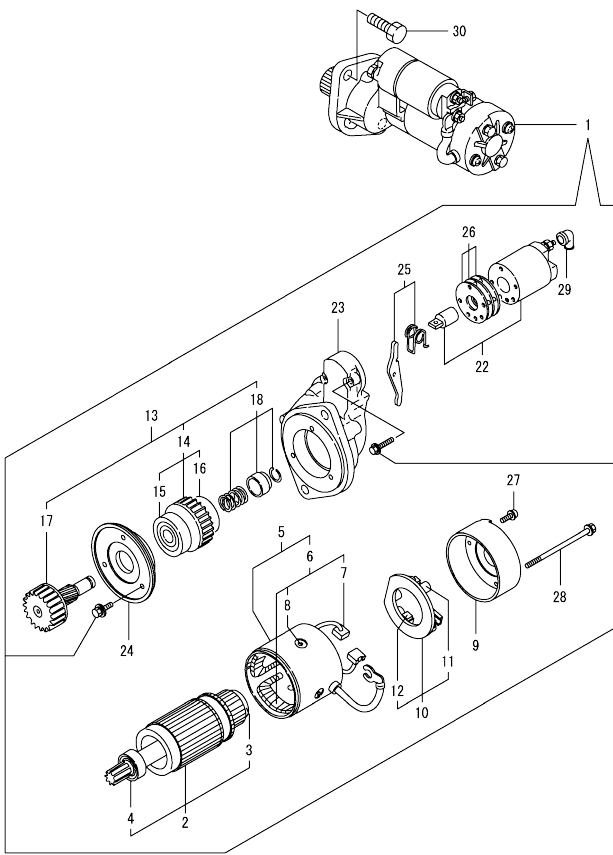


(A)=4TNV98-NSA  
(B)=4TNV98-NSA2  
(C)=4TNV98-GGE

(D)=  
(E)=  
(F)=

No.	Lev.	Parts No.	Description	Qty						I	R
				(A)	(B)	(C)	(D)	(E)	(F)		
1	1	129900-77010	STARTER ASSY	1	1	1					
2	2	129900-77400	ARMATURE ASSY	1	1	1					
3	3	X2114155110	BEARING, BALL	1	1	1					
4	3	X2114255110	BEARING, BALL	1	1	1					
5	2	129900-77440	COIL ASSY, FIELD	1	1	1					
6	3	171008-77450	SCREW, CORE SET	4	4	4					
7	3	129900-77450	BRUSH	2	2	2					
8	2	129900-77480	HOLDER ASSY, BRUSH	1	1	1					
9	3	129900-77450	BRUSH	2	2	2					
10	3	X2130631300	SPRING, BRUSH	4	4	4					
11	2	129900-77460	COVER	1	1	1					
12	2	129900-77591	SWITCH ASSY, MAGNET	1	1	1					
13	2	129900-77620	LEVER SET	1	1	1					
14	2	129900-77650	COVER KIT, DUST	1	1	1					
15	2	129900-77640	BOLT, THROUGH	2	2	2					
16	2	129900-77700	CASE ASSY, GEAR	1	1	1					
17	3	129900-77510	PINION ASSY, W/CLUTCH	1	1	1					
18	4	129900-77540	SHAFT, PINION	1	1	1					
19	4	129900-77550	STOPPER SET, PINION	1	1	1					
20	4	129900-77520	CLUTCH ASSY	1	1	1					
21	4	171008-77730	BEARING, BALL	1	1	1					
22	4	171008-77740	BEARING, BALL	1	1	1					
23	4	129900-77610	RETAINER, BEARING	1	1	1					
24	3	129900-77710	CASE, GEAR	1	1	1					
25	2	171008-77750	COVER, TERMINAL	1	1	1					
26	1	26116-120302	BOLT, M12X 30 PLATED	2	2	2					

Fig.19. (16A)STARTING MOTOR



(A)=4TNV98-NSA  
(B)=4TNV98-NSA2  
(C)=4TNV98-GGE

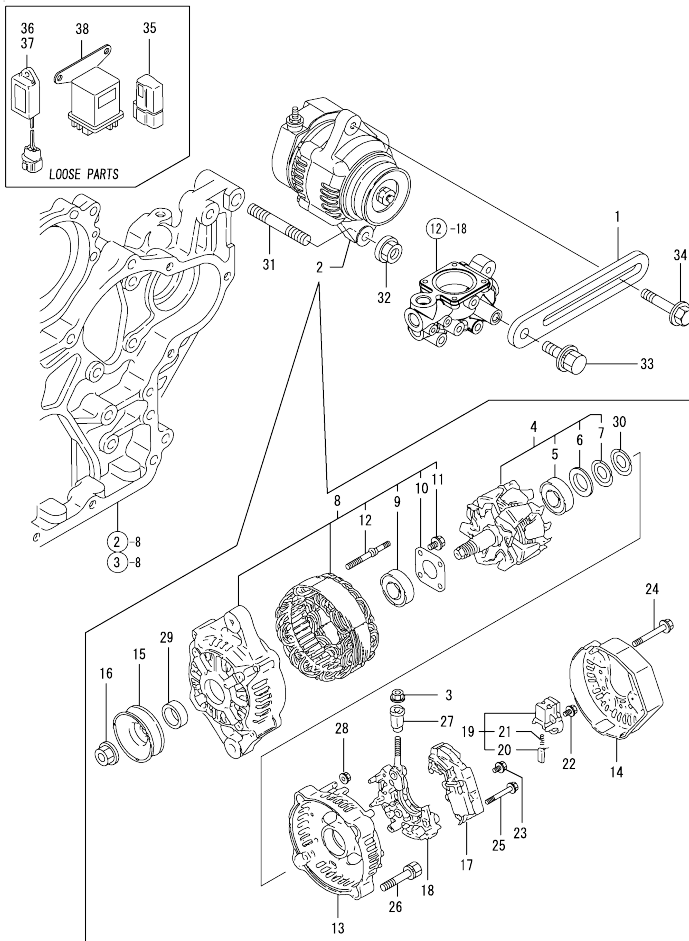
(D)=  
(E)=  
(F)=

No.	Lev.	Parts No.	Description	Qty						I	R
				(A)	(B)	(C)	(D)	(E)	(F)		
1	1	129900-77040	STARTER ASSY	1	1	1					
2	2	129900-77120	ARMATURE ASSY	1	1	1					
3	3	171008-77410	BEARING, BALL	1	1	1					
4	3	171008-77420	BEARING, BALL	1	1	1					
5	2	129900-77130	YOKE ASSY	1	1	1					
6	3	129900-77140	COIL ASSY, FIELD	1	1	1					
7	4	129900-77450	BRUSH	2	2	2					
8	4	171008-77450	SCREW, CORE SET	4	4	4					
9	2	129900-77150	COVER	1	1	1					
10	2	129900-77160	HOLDER ASSY, BRUSH	1	1	1					
11	3	X2130631300	SPRING, BRUSH	4	4	4					
12	3	129900-77450	BRUSH	2	2	2					
13	2	129900-77170	CLUTCH ASSY	1	1	1					
14	3	129900-77180	CLUTCH ASSY	1	1	1					
15	4	129900-77190	BEARING, BALL	1	1	1					
16	4	X2114955020	BEARING, BALL	1	1	1					
17	3	129900-77270	SHAFT, PINION	1	1	1					
18	3	171008-77670	STOPPER SET, PINION	1	1	1					
22	2	129900-77280	SWITCH ASSY, MAGNET	1	1	1					
23	2	129900-77290	CASE, GEAR	1	1	1					
24	2	129900-77380	RETAINER, BEARING	1	1	1					
25	2	129900-77390	LEVER ASSY, SHIFT	1	1	1					
26	2	129900-77420	COVER KIT, DUST	1	1	1					
27	2	129900-77430	SCREW, M4X10	2	2	2					
28	2	129685-77640	BOLT, THROUGH	2	2	2					
29	2	171008-77750	COVER, TERMINAL	1	1	1					
30	1	26116-120302	BOLT, M12X 30 PLATED	2	2	2					

Fig.17. GENERATOR

(A)=4TNV98-NSA  
(B)=4TNV98-NSA2  
(C)=4TNV98-GGE

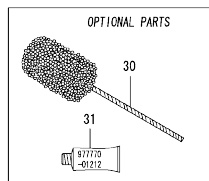
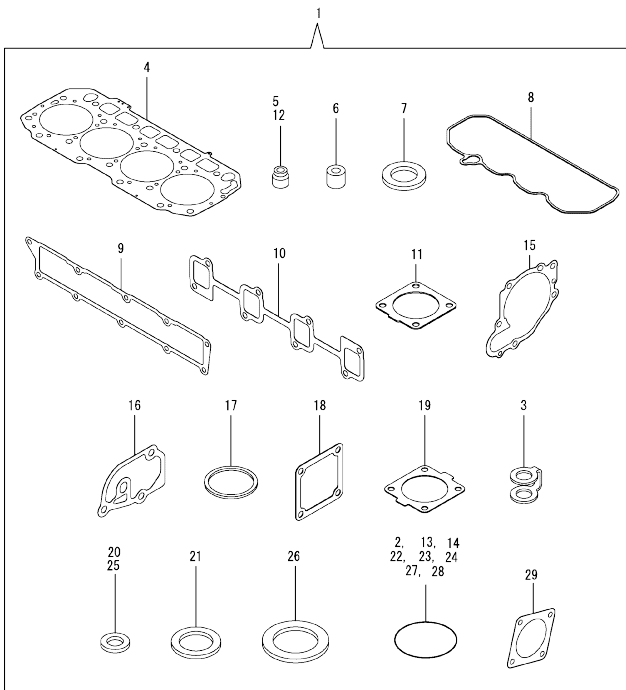
(D)=  
(E)=  
(F)=



No.	Lev.	Parts No.	Description	Q'ty						I	R
				(A)	(B)	(C)	(D)	(E)	(F)		
1	1	129900-77330	ADJUSTER, BELT	1	1	1					
2	1	129423-77200	GENERATOR ASSY, 40A	1	1	1					
3	2	X9490561001	NUT	1	1	1					
4	2	119620-77380	ROTOR ASSY	1	1	1					
5	3	119620-79240	BEARING, BALL	1	1	1					
6	3	119620-79250	COVER, BEARING	1	1	1					
7	3	119620-79360	WASHER, THRUST	1	1	1					
8	2	119620-77421	FRAME ASSY, GENERATOR	1	1	1					
9	3	119620-79200	BEARING, BALL	1	1	1					
10	3	119620-79210	RETAINER	1	1	1					
11	3	119620-79220	SCREW	4	4	4					
12	3	119620-79230	BOLT, STUD	2	2	2					
13	2	119620-77440	FRAME ASSY	1	1	1					
14	2	129240-79300	COVER	1	1	1					
15	2	119620-77461	PULLEY, GENERATOR	1	1	1					
16	2	119620-77471	NUT	1	1	1					
17	2	129423-77710	REGULATOR ASSY	1	1	1					
18	2	119620-79260	HOLDER	1	1	1					
19	2	119620-79270	HOLDER, BRUSH	1	1	1					
20	3	119620-77480	BRUSH	2	2	2					
21	3	119620-79280	SPRING	2	2	2					
22	2	119620-79290	SCREW	1	1	1					
23	2	119620-79300	SCREW	1	1	1					
24	2	119620-79310	BOLT	3	3	3					
25	2	119620-79320	SCREW	2	2	2					
26	2	119620-79330	BOLT	2	2	2					
27	2	119620-79340	BUSH, INSULATION	1	1	1					
28	2	119620-79350	NUT	2	2	2					
29	2	119620-77490	COLLAR	1	1	1					
30	2	119620-79360	WASHER, THRUST	1	1	1					
31	1	129795-01900	BOLT, STUD M10X33	1	1	1					
32	1	26306-100002	NUT, M10	1	1	1					
33	1	26014-080252	BOLT, M8X 25	1	1	1					
34	1	119810-77340	BOLT, ADJUST L=30	1	1	1					
35	1	119643-66900	DIODE	1	1	1					
36	1	128300-77920	TIMER	1	1	1					
37	1	129211-77920	TIMER	1	1	1					
38	1	119650-77910	RELAY ASSY, GLOW	1	1	1					

N:Old  $\frac{100}{100}$  New, Q:Old  $\frac{100}{100}$  New, R:Old  $\frac{100}{100}$  New, S:Old  $\frac{100}{100}$  New, W:Add, Z:Discontinued, F:Interchangeable by set, K:Qty Change  
Copyright (C) YANMAR CO., LTD. All Rights Reserved.

Fig.18. GASKET SET



(A)=4TNV98-NSA  
(B)=4TNV98-NSA2  
(C)=4TNV98-GGE

(D)=  
(E)=  
(F)=

No.	Lev.	Parts No.	Description	Qty						I	R	
				(A)	(B)	(C)	(D)	(E)	(F)			
1	1	729907-92760	GASKET SET	1	1	1					1	
2	2	24341-000240	O-RING, 1AS24.0	1	1	1						
3	2	123907-59550	GASKET	5	5	5						
4	2	129907-01331	GASKET, HEAD	1	1	1						
5	2	124160-11340	SEAL, VALVE STEM	8	8	8						
6	2	119802-11870	PROTECTOR, NOZZLE	4	4	4						
7	2	119625-11880	SEAT, NOZZLE	4	4	4						
8	2	129907-11310	GASKET, BONNET	1	1	1						
9	2	129907-12110	GASKET, MANIFOLD	1	1	1						
10	2	129900-13251	GASKET, EXH.MANIFOLD	1	1	1						
11	2	129930-13200	GASKET, SILENCER	1	1	1						
12	2	124950-11340	SEAL, VALVE STEM	8	8	8						
13	2	129900-32030	O-RING, P20	2	2	2						
14	2	129900-32040	O-RING, P14	1	1	1						
15	2	129900-42020	GASKET, WATER PUMP	1	1	1						
16	2	129900-49870	GASKET, THERMOSTAT	1	1	1						
17	2	121850-49550	GASKET, THERMOSTAT	1	1	1						
18	2	121850-77021	GASKET, AIR HEATER	1	1	1						
19	2	121850-49540	GASKET, THERMOSTAT	1	1	1						
20	2	23414-080000	GASKET, 8X1.0	3	3	3						
21	2	124465-44950	GASKET, 16	2	2	2						
22	2	24311-000070	O-RING, 1AP7.0	1	1	1						
23	2	24311-000120	O-RING, 1AP12.0	8	8	8						
24	2	24311-000320	O-RING, 1AP32.0	2	2	2						
25	2	22190-080002	WASHER, SEAL 6	7	7	7						
26	2	22190-220002	WASHER, SEAL 22	1	1	1						
27	2	24351-030750	O-RING, 1A3075	1	1	1						
28	2	24321-000850	O-RING, 1AG85.0	1	1	1						
29	2	124240-01883	GASKET	1	1	1						
30	1	129400-92450	HONE, FLEX	1	1	1						1
31	1	977770-01212	GASKET, LIQUID	1	1	1						1

Remarks

(1)Optional parts.

## Parts No. Index

Parts No.	Fig. No.	Ref. No.	Parts No.	Fig. No.	Ref. No.	Parts No.	Fig. No.	Ref. No.	Parts No.	Fig. No.	Ref. No.
105010-39140	11	5	119643-66900	17	35	124160-11360	6	65	129242-55770	15	25 E
105025-59750	15	7	119650-77910	17	38	124240-01871	3	38	129400-92450	18	30
105582-59150	12	25	119802-11870	6	47	124240-01883	3	39	129423-77200	17	2
114250-39450	11	16		18	6		18	29	129423-77710	17	17
114250-53080	14	9	119802-55700	15	21	124411-01780	4	7	129457-59010	15	4
114250-53120	14	13	119802-55710	15	22		5	6	129486-59551	15	15
114250-53130	14	14	119802-55730	15	25 A		12	38	129550-59120	14	35
114250-53140	14	15	119802-55800	15	2	124465-44950		39	129685-77640	19	28
114250-53210	14	16	119810-77340	17	34		18	21	129795-01900	17	31
114250-53400	14	17	120130-22301	10	20	124722-59050	12	43	129900-01200	1	31
119000-01840	5	3	121023-26070	2	39			46	129900-01250	1	5
119000-35140	11	7	121250-44901	12	37		15	16	129900-01620	4	3
119130-44760	12	51	121450-42450	12	36	124766-59050	15	5	129900-01740	2	6
119131-18320	8	6	121520-34810	11	2			9		3	6
119141-44760	12	31	121750-59890	15	26	124950-11340	6	18	129900-01780	2	4
119225-52102	15	20	121850-21130	10	10		18	12		3	4
119305-59120	14	31	121850-21290	10	4	127410-21480	10	45	129900-01850	2	45
119593-11301	6	28	121850-21680	10	9	128300-77920	17	36		3	45
119620-01750	4	14	121850-21920	10	5	129001-91810	2	27	129900-01870	2	46
119620-11180	6	16	121850-49540	12	20			28		3	46
119620-77380	17	4		18	19		3	26	129900-02020	1	7
119620-77421	17	8	121850-49550	12	21			27	129900-02340	1	34
119620-77440	17	13		18	17	129004-55610	15	1	129900-02410	1	10
119620-77461	17	15	121850-49810	12	23	129005-59830	11	24	129900-02930	1	28
119620-77471	17	16	121850-77021	7	5	129052-42290	12	48	129900-02940	1	37
119620-77480	17	20		18	18	129100-01580	2	5	129900-13251	8	3
119620-77490	17	29	122780-59100	14	30		3	5		18	10
119620-79200	17	9	123900-13610	8	4		4	1	129900-14100	9	6
119620-79210	17	10	123900-13630	8	5		5	1	129900-14140	2	23
119620-79220	17	11	123900-25060	9	9	129100-55690	15	23	129900-21200	10	3
119620-79230	17	12	123907-03100	6	55	129150-02450	9	4	129900-21600	10	13
119620-79240	17	5	123907-03110	6	56	129150-11230	6	36			41
119620-79250	17	6	123907-03120	6	57			40	129900-21640	10	8
119620-79260	17	18	123907-03140	6	58	129150-11750	6	21	129900-21660	10	7 -1
119620-79270	17	19	123907-11280	6	33			37	129900-23000	10	22
119620-79280	17	21	123907-11550	6	3			41	129900-23200	10	27
119620-79290	17	22	123907-11601	14	29	129150-14200	9	1	129900-23600	10	28
119620-79300	17	23	123907-11820	6	10	129150-25920	9	13	129900-23610	10	30
119620-79310	17	24	123907-11830	6	22	129150-35170	11	6	129900-23910	10	26
119620-79320	17	25	123907-25909	9	15	129150-59131	14	34	129900-25100	9	10
119620-79330	17	26	123907-39500	11	22			38	129900-26250	2	24
119620-79340	17	27	123907-59540	15	13	129150-91400	3	41	129900-32001	2	11
119620-79350	17	28	123907-59550	15	14	129211-77920	17	37		3	10
119620-79360	17	7		18	3	129240-79300	17	14	129900-32030	2	25
		30	123907-59560	15	18	129242-55700	15	21 -1		3	23
119625-11880	6	26	124160-01751	2	37	129242-55720	15	25 A-1		11	8
	18	7		3	36	129242-55730	15	22 -1		18	13
119640-01640	4	9		6	50	129242-55740	15	25 B	129900-32040	2	26
	5	8	124160-11340	6	17	129242-55750	15	25 C		3	24
119640-61400	6	62		18	5	129242-55760	15	25 D		18	14



## Parts No. Index

Parts No.	Fig. No.	Ref. No.
129900-42020	12	11
	18	15
129900-42450	12	14
129900-42461	12	49
129900-49870	12	32
	18	16
129900-77010	16	1
129900-77040	19	1
129900-77120	19	2
129900-77130	19	5
129900-77140	19	6
129900-77150	19	9
129900-77160	19	10
129900-77170	19	13
129900-77180	19	14
129900-77190	19	15
129900-77270	19	17
129900-77280	19	22
129900-77290	19	23
129900-77330	17	1
129900-77380	19	24
129900-77390	19	25
129900-77400	16	2
129900-77420	19	26
129900-77430	19	27
129900-77440	16	5
129900-77450	16	7
	19	9
		12
129900-77460	16	11
129900-77480	16	8
129900-77510	16	17
129900-77520	16	20
129900-77540	16	18
129900-77550	16	19
129900-77591	16	12
129900-77610	16	23
129900-77620	16	13
129900-77640	16	15
129900-77650	16	14
129900-77700	16	16
129900-77710	16	24
129902-21000	10	1
129907-01190	1	33
129907-01331	1	32
	18	4
129907-01500	3	8
129907-01950	13	1
129907-01960	13	2

Parts No.	Fig. No.	Ref. No.
129907-03010	6	52
129907-03060	6	53
129907-03070	6	54
129907-07900	6	1
129907-11100	6	25
129907-11110	6	14
129907-11120	6	15
129907-11250	6	30
129907-11260	6	31
129907-11270	6	32
129907-11310	6	61
	18	8
129907-11320	6	51
129907-11341	6	29
129907-11510	6	19
129907-11650	6	34
129907-11660	6	38
129907-11700	6	4
129907-11800	6	9
129907-11910	6	68
129907-11920	6	42
129907-11950	6	48
129907-12110	7	2
	18	9
129907-13200	8	1
129907-14400	9	2
129907-14581	9	3
129907-21660	10	7
129907-22050	10	16
129907-22090	10	14
129907-39061	11	20
129907-42000	12	1
129907-49610	12	40
129907-49620	12	44
129907-49710	12	41
129907-49720	12	45
129907-49730	12	22
129907-49750	12	42
129907-49800	12	18
129907-53000	14	3
129907-59140	15	12
129907-59710	14	39
129907-59810	14	41
129907-59820	14	42
129907-59830	14	43
129907-59840	14	44
129908-14581	9	3 -1
129910-07900	6	69
129915-01610	5	2
129915-77050	7	6

Parts No.	Fig. No.	Ref. No.
129916-01710	4	8
129916-21610	10	9 -1
129916-44740	12	50
129916-49530	12	19
129920-21580	10	42
129920-44740	12	16
129927-42140	2	26 A
	3	24 A
129930-13200	8	2
	18	11
129930-39050	11	3
129937-53000	14	4
129944-12110	7	1
129950-59221	15	10
129953-21570	10	38
129953-25300	9	16
129953-34830	11	1
129953-35000	11	9
129955-01600	4	2
129955-21590	10	11
129957-59120	15	6
129960-21930	10	46
129960-21940	10	8 -1
129962-01500	2	8
129980-26200	9	20
129980-59510	15	11
129981-59010	15	8
129982-01710	5	7
158563-51150	9	17
171008-77410	19	3
171008-77420	19	4
171008-77450	16	6
	19	8
	19	18
171008-77670	19	18
171008-77730	16	21
171008-77740	16	22
171008-77750	16	25
	19	29
	1	6
171051-01921	12	47
171056-49120	12	47
22190-080002	11	17
	18	
	25	
	15	19
	18	25
22190-220002	4	11
	5	10
	5	10
	18	26
22217-180000	9	18
22252-000300	10	21

Parts No.	Fig. No.	Ref. No.
22351-060012	1	11
22512-070140	9	7
	10	6
22857-500100	6	63
		64
23387-040800	12	26
23414-080000	12	27
		33
	18	20
23857-030000	11	26
23875-030000	12	28
23876-010000	3	21
23876-020000	6	11
23876-030000	1	12
		13
		14
	6	12
24311-000070	2	43
	3	25
	18	22
24311-000120	6	27
		66
	18	23
24311-000160	15	25
24311-000320	2	38
	3	37
	6	67
	18	24
24321-000650	15	24
24321-000750	15	24 -1
24321-000850	2	40
	18	28
24341-000240	3	43
	18	2
24351-030750	2	29
	3	28
	18	27
25132-004150	12	15
26014-080252	17	33
26106-060122	12	29
26106-060162	3	44
	14	45
26106-060202	12	30
26106-060302	12	12
26106-080122	4	12
	5	11
	11	4
		14
		19
	12	34

## Parts No. Index

Parts No.	Fig. No.	Ref. No.
26106-080162	2	22
		30
	3	31
		29
		30
		40
	6	47
		2
		8
	9	8
	11	15
	13	5
	14	46
	26106-080182	2
26106-080202	3	31
26106-080222	13	6
		7
26106-080302	12	52
26106-080352	15	3
		7
26106-080402	2	33
26106-080452	3	34
		32
		33
	6	44
	2	35
	3	34
	7	3
	9	14
	12	13
	17	17
26106-080602	6	45
26106-080802	12	46
		35
26106-100202	7	4
26116-120302	2	41
		8
26206-100352	13	8
		26
26206-100702	16	26
		30
26216-100302	19	30
		15
26226-080222	4	4
		6
26306-080002	5	4
		6
26306-100002	4	6
		10
26776-180002	2	22
		6
26226-080222	3	43
		6
26306-080002	8	49
		7
26306-100002	2	36
		3
26776-180002	17	35
		9
26776-180002	9	32
		19

Parts No.	Fig. No.	Ref. No.
27241-300000	1	15
27241-400000	6	13
27310-070001	6	23
729900-02800	1	25
729907-01550	2	1
729907-01560	1	1
729907-01570	3	1
729907-22910	10	32
729907-22950	10	34
729907-51320	13	3
729907-53100	14	1
729907-92760	18	1
729946-51390	13	4
729946-53300	14	2
977770-01212	2	42
X2114155110	16	48
		13
		5
		5
		70
		31
		3
		4
		16
		16
X2114255110	16	4
X2114955020	19	16
X2130631300	16	10
X9490561001	17	11
		3

Parts No.	Fig. No.	Ref. No.
-----------	----------	----------

Parts No.	Fig. No.	Ref. No.
-----------	----------	----------