

0CD10-M94601EN

P R E F A C E

This parts catalog is the 2nd edition of 4TNV98-GGB1B.

Published : June, 2014

Contents

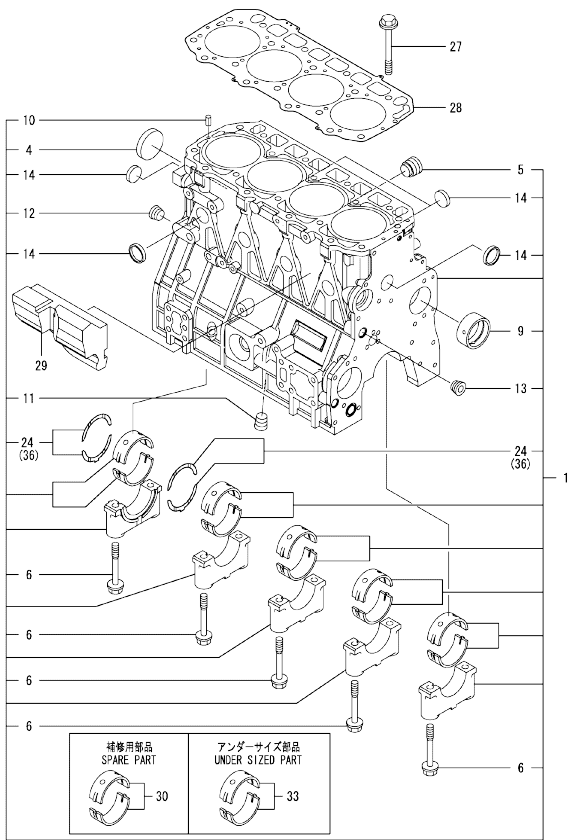
0CD10-M94601

Fig. No.	Fig. Name	Fig. No.	Fig. Name
4TNV98-GGB1B			
1.	CYLINDER BLOCK		
2.	GEAR HOUSING		
3.	FLYWHEEL HOUSING & OIL SUMP		
4.	CYLINDER HEAD & BONNET		
5.	SUCTION MANIFOLD & AIR CLEANER		
6.	EXHAUST MANIFOLD & SILENCER		
7.	CAMSHAFT & DRIVING GEAR		
8.	CRANKSHAFT & PISTON		
9.	LUB. OIL SYSTEM		
10.	COOLING WATER SYSTEM		
11.	FUEL INJECTION PUMP		
12.	GOVERNOR		
13.	FUEL INJECTION VALVE		
14.	FUEL PIPE		
15.	STARTER MOTOR		
18.	(15A)STARTER MOTOR		
16.	GENERATOR		
17.	GASKET SET		

Fig.1. CYLINDER BLOCK

(A)=4TNV98-GGB1B
(B)=
(C)=

(D)=
(E)=
(F)=

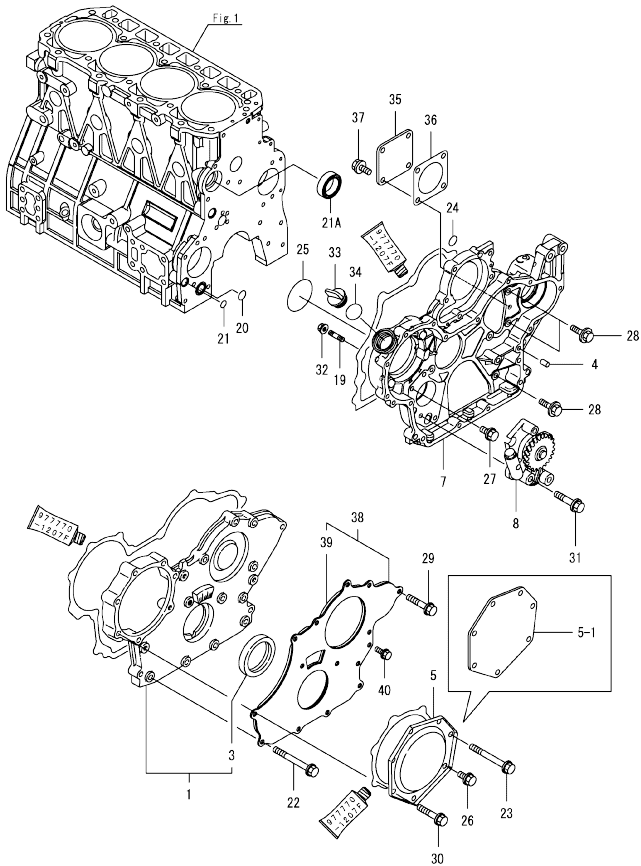


No.	Lev.	Parts No.	Description	Q'ty						I	R
				(A)	(B)	(C)	(D)	(E)	(F)		
1	1	729907-01560	BLOCK ASSY, CYLINDER	1							
4	2	129900-01250	PLUG, DISH TYPE 55	1							
5	2	171051-01921	PLUG, NPTF1	1							
6	2	129900-02020	BOLT, METAL CAP	10							
9	2	129900-02410	BUSH, CAMSHAFT	1							
10	2	22351-060012	PIN, SPRING 6.0X12	2							
11	2	23876-030000	PLUG, R03	1							
12	2	23876-030000	PLUG, R03	1							
13	2	23876-030000	PLUG, R03	1							
14	2	27241-300000	PLUG 30	8							
24	2	129900-02931	BEARING ASSY, THRUST	2							
27	1	129900-01200	BOLT, CYLINDER HEAD	18							
28	1	129907-01331	GASKET, HEAD	1							
29	1	129907-01190	SPACER	1							
30	1	729900-02801	BEARING, MAIN	5							1
33	1	129900-02341	BEARING ASSY, MAIN	5							2
36	1	129900-02941	BEARING, THRUST 0.25	2							3

Remarks

- (1) Spare parts.
- (2) Under-sized (U.S.=0.25) parts.
- (3) Over-sized (O.S.=0.25) parts.

Fig.2. GEAR HOUSING



(A)=4TNV98-GGB1B
(B)=
(C)=

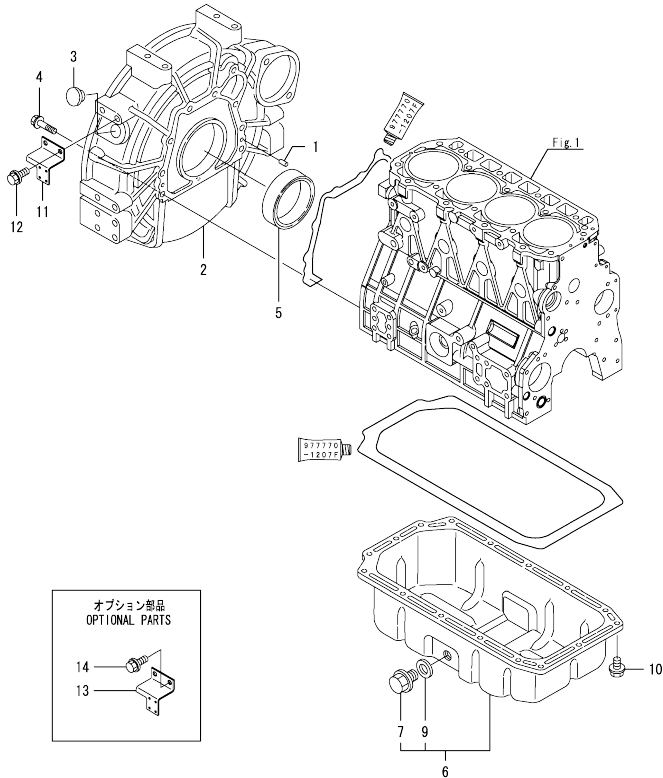
(D)=
(E)=
(F)=

No.	Lev.	Parts No.	Description	Qty						I	R
				(A)	(B)	(C)	(D)	(E)	(F)		
1	1	729907-01559	COVER ASSY,GEAR CASE	1							
3	2	129916-01800	SEAL, OIL	1							
4	1	129100-01580	PIN, PARALLEL 8X16	4							
5	1	129900-01740	COVER	1							
5-1	1	129951-01740	COVER	1							F 1
(A=EC0695)											
7	1	129907-01500	CASE, GEAR	1							
8	1	129900-32001	PUMP ASSY, OIL	1							
19	1	26216-100302	STUD, M10X 30	4							
20	1	129900-32030	O-RING, P20	1							
21	1	129900-32040	O-RING, P14	1							
21A	1	129927-42140	GASKET, PUMP OUTLET	1							W
(A=EU7705)											
22	1	129001-91810	BOLT, M8X70	6							
22-1	1	26106-080702	BOLT, M8X 70 PLATED	6							R
(A=E97002)											
23	1	129001-91810	BOLT, M8X70	1							
23-1	1	26106-080702	BOLT, M8X 70 PLATED	1							R
(A=E97002)											
23-2	1	26106-080752	BOLT, M8X 75 PLATED	1							N
(A=EC0695)											
24	1	24311-000070	O-RING, 1AP7.0	1							
25	1	24351-030750	O-RING, 1A3075	1							
26	1	26106-080162	BOLT, M8X 16 PLATED	1							
26-1	1	26106-080202	BOLT, M8X 20 PLATED	1							N
(A=EC0695)											
27	1	26106-080162	BOLT, M8X 16 PLATED	1							
28	1	26106-080202	BOLT, M8X 20 PLATED	3							
29	1	26106-080402	BOLT, M8X 40 PLATED	5							
30	1	26106-080402	BOLT, M8X 40 PLATED	5							
30-1	1	26106-080452	BOLT, M8X 45 PLATED	5							N
(A=EC0695)											
31	1	26106-080452	BOLT, M8X 45 PLATED	3							
32	1	26306-100002	NUT, M10	4							
33	1	124160-01751	CAP, FILLER	1							
34	1	24311-000320	O-RING, 1AP32.0	1							
35	1	124240-01871	COVER, PUMP	1							
36	1	124240-01883	GASKET	1							
36-1	1	129C26-01890	GASKET, HO-P	1							R
(A=EM2704)											
37	1	26106-080162	BOLT, M8X 16 PLATED	4							
38	1	129900-01850	COVER ASSY,GEAR CASE	1							
39	2	129900-01870	SPONGE, GEAR CASE	1							
40	1	26106-080162	BOLT, M8X 16 PLATED	3							

Remarks

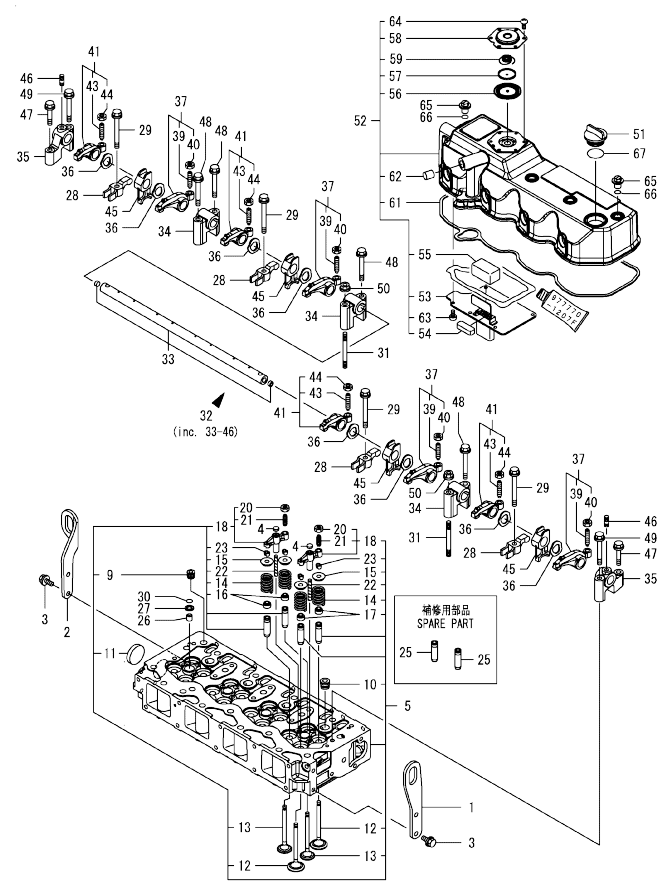
(1)Interchangeable by simultaneous replacement with No.23-2, 26-1 & 30-1.

Fig.3. FLYWHEEL HOUSING & OIL SUMP



No.	Lev.	Parts No.	Description	Q'ty						I	R
				(A)	(B)	(C)	(D)	(E)	(F)		
1	1	129100-01580	PIN, PARALLEL 8X16	2							
2	1	129915-01610	HOUSING, FLYWHEEL	1							
3	1	119000-01840	PLUG, RUBBER	1							
4	1	26206-100352	BOLT, M10X 35 PLATED	9							
5	1	129916-01790	SEAL, D115/95XT11	1							
6	1	129982-01710	OIL PAN ASSY	1							
7	2	119640-01640	PLUG, DRAIN M22	1							
9	2	22190-220002	WASHER, SEAL 22	1							
10	1	26106-080122	BOLT, M8X 12 PLATED	16							
11	1	119140-67010	SUPPORT, WIRE	1							Z
		(A=EA9607)									
12	1	26106-100162	BOLT, M10X 16 PLATED	2							Z
		(A=EA9607)									
13	1	119140-67010	SUPPORT, WIRE	1							W
		(A=EA9607)									
14	1	26106-100162	BOLT, M10X 16 PLATED	2							W
		(A=EA9607)									

Fig.4. CYLINDER HEAD & BONNET



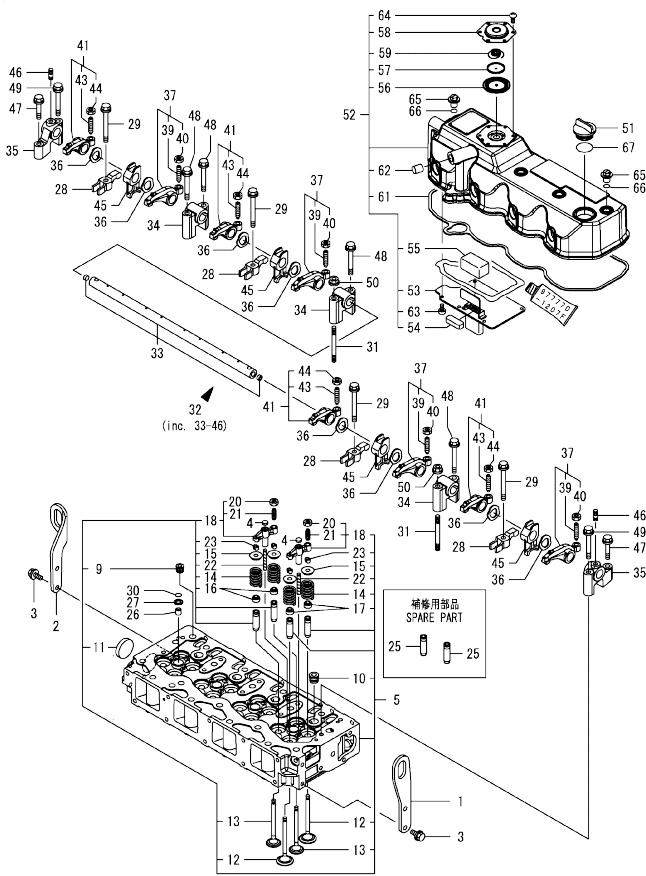
(A)=4TNV98-GGB1B
(B)=
(C)=

(D)=
(E)=
(F)=

No.	Lev.	Parts No.	Description	Q'ty						I	R
				(A)	(B)	(C)	(D)	(E)	(F)		
1	1	129907-07900	LIFTER, ENGINE	1							
2	1	129910-07900	LIFTER, ENGINE	1							
3	1	26106-080162	BOLT, M8X 16 PLATED	4							
4	1	123907-11550	SEAT, VALVE BRIDGE	8							
5	1	129907-11700	HEAD ASSY, CYLINDER	1							
9	2	23876-020000	PLUG, R02	1							
10	2	23876-030000	PLUG, R03	4							
11	2	27241-400000	PLUG, 40	1							
12	2	129907-11100	VALVE, SUCTION	8							
13	2	129907-11110	VALVE, EXHAUST	8							
14	2	129907-11120	SPRING, VALVE	16							
15	2	119620-11180	RETAINER, SPRING	16							
16	2	119803-11340	SEAL, VALVE STEM	8							
17	2	124160-11340	SEAL, VALVE STEM	8							
18	2	129907-11510	BRIDGE ASSY, VALVE	8							
20	3	129150-11750	NUT, M8	8							
21	3	123907-11830	ADJUSTER	8							
22	2	123907-11820	GUIDE, BRIDGE	8							
23	2	27310-070001	COTTER, 7	16							
25	1	129907-11800	GUIDE, VALVE	16							1
26	1	119802-11870	PROTECTOR, NOZZLE	4							
27	1	119625-11880	SEAT, NOZZLE	4							
28	1	129907-11910	RETAINER, NOZZLE	4							
29	1	129907-11950	BOLT, M8X75	4							
30	1	24311-000120	O-RING, 1AP12.0	4							
31	1	119593-11301	BOLT, STUD M8X80	2							
32	1	129907-11341	SHAFT ASSY, ROCKER	1							
33	2	129907-11250	SHAFT, ROCKER ARM	1							
34	2	129907-11260	SUPPORT, ROCKER ARM	3							
35	2	129907-11270	SUPPORT, ROCKER ARM	2							
36	2	123907-11280	WASHER	8							
37	2	129907-11650	ARM ASSY, ROCKER	4							
39	3	129150-11230	SCREW, VALVE ADJUST	4							
40	3	129150-11750	NUT, M8	4							
41	2	129907-11660	ARM ASSY, ROCKER	4							
43	3	129150-11230	SCREW, VALVE ADJUST	4							
44	3	129150-11750	NUT, M8	4							
45	2	129907-11920	RETAINER, NOZZLE	4							
46	2	26226-080222	STUD, M8X 22	2							
47	1	26106-080402	BOLT, M8X 40 PLATED	2							
48	1	26106-080602	BOLT, M8X 60 PLATED	4							
49	1	26106-080602	BOLT, M8X 60 PLATED	2							
50	1	26306-080002	NUT, M8	2							
51	1	124160-01751	CAP, FILLER	1							
52	1	129907-11320	BONNET ASSY, HEAD	1							
52-1	1	129907-11321	BONNET ASSY, HEAD	1							N
(A=E49247)											
53	2	129907-03011	PLATE, BAFFLE	1							
54	2	129907-03061	BAFFLE, BREATHER	1							
55	2	129907-03070	BAFFLE, BREATHER	1							
56	2	123907-03100	DIAPHRAGM	1							

Remarks
(1) Spare parts.

Fig.4. CYLINDER HEAD & BONNET



(A)=4TNV98-GGB1B
(B)=
(C)=

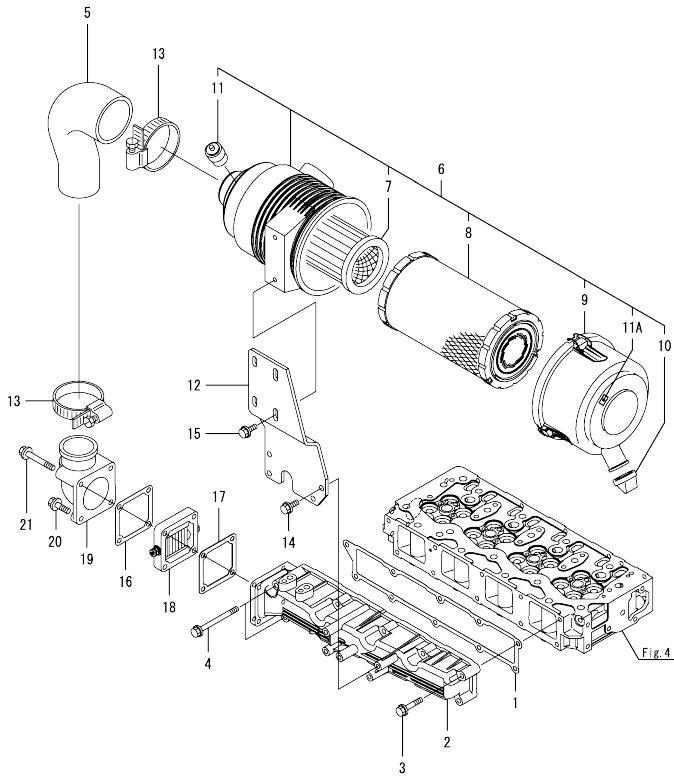
(D)=
(E)=
(F)=

No.	Lev.	Parts No.	Description	Q'ty						I	R
				(A)	(B)	(C)	(D)	(E)	(F)		
57	2	123907-03110	PLATE	1							
58	2	123907-03120	PLATE, BREATHER	1							
59	2	123907-03140	SPRING, DIAPHRAGM	1							
61	2	129907-11310	GASKET, BONNET	1							
61-1	2	129933-11310	GASKET, BONNET	1							N
(A=E49247)											
62	2	119640-61400	PLUG	1							
63	2	22857-500100	SCREW, 5X10	6							
64	2	22857-500100	SCREW, 5X10	6							
65	1	124160-11360	KNOB	4							
66	1	24311-000120	O-RING, 1AP12.0	4							
67	1	24311-000320	O-RING, 1AP32.0	1							

Remarks

(1) Spare parts.

Fig.5. SUCTION MANIFOLD & AIR CLEANER



(A)=4TNV98-GGB1B
(B)=
(C)=

(D)=
(E)=
(F)=

No.	Lev.	Parts No.	Description	Q'ty						I	R
				(A)	(B)	(C)	(D)	(E)	(F)		
1	1	129907-12110	GASKET, MANIFOLD	1							
2	1	129944-12110	MANIFOLD, AIR INTAKE	1							
2-1	1	129944-12111	MANIFOLD, AIR INTAKE	1							R
(A=EJ1187)											
3	1	26106-080452	BOLT, M8X 45 PLATED	8							
4	1	26106-080802	BOLT, M8X 80 PLATED	2							
5	1	129944-12240	HOSE, AIR INTAKE	1							
6	1	129946-12510	CLEANER ASSY, AIR	1							
7	2	119005-12571	ELEMENT, INNER	1							
8	2	129062-12560	ELEMENT	1							
9	2	129900-12530	COVER ASSY	1							
10	2	119808-12540	VALVE, UNLOAD	1							
11	2	126650-12680	INDICATOR	1							
11A	2	129612-12650	LABEL, MARKING	1							W
(A=EB8137)											
12	1	129944-12630	BRACKET, CLEANER	1							
13	1	23000-080000	CLAMP, 80	2							
14	1	26013-080222	BOLT, SPRING M8X 22	4							
15	1	26106-080202	BOLT, M8X 20 PLATED	2							
16	1	119129-77020	GASKET	1							
17	1	121850-77021	GASKET, AIR HEATER	1							
18	1	119005-77050	HEATER, AIR	1							
18-1	1	119005-77051	HEATER, AIR	1							N
(A=EB8658)											
19	1	119129-77520	BEND	1							
20	1	26106-080402	BOLT, M8X 40 PLATED	2							
21	1	26106-080902	BOLT, M8X 90 PLATED	2							

Fig.6. EXHAUST MANIFOLD & SILENCER

(A)=4TNV98-GGB1B
(B)=
(C)=

(D)=
(E)=
(F)=

No.	Lev.	Parts No.	Description	Q'ty						I	R
				(A)	(B)	(C)	(D)	(E)	(F)		
1	1	129907-13200	MANIFOLD, EXHAUST	1							
1-1	1	129907-13201 (A=EM2704)	MANIFOLD, EXHAUST	1							R
2	1	129900-13251	GASKET, EXH.MANIFOLD	1							
3	1	123900-13610	BOLT, STUD M8X80	2							
4	1	123900-13630	BOLT, M8X80	6							
5	1	119131-18320	BOLT, STUD M8X22	4							
6	1	26306-080002	NUT, M8	2							
7	1	129930-13201	GASKET, SILENCER	1							
7-1	1	129930-13201 (A=E55800)	GASKET, SILENCER	4							K
8	1	128300-13230	GASKET, SILENCER	3							
8-1	1	128300-13230 (A=E55800)	GASKET, SILENCER	1							K
8-2	1	128300-13230 (A=E72785)	GASKET, SILENCER	2							K
9	1	123900-13502	SILENCER	1							
10	1	123908-13510	SILENCER	1							
11	1	123901-18080	GASKET	1							

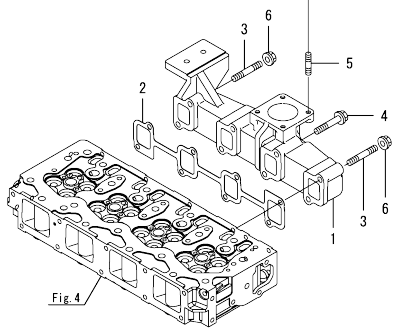
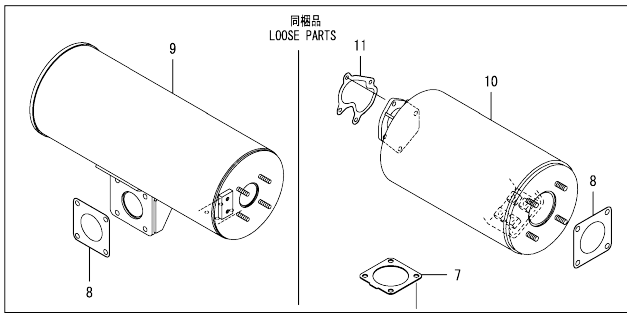
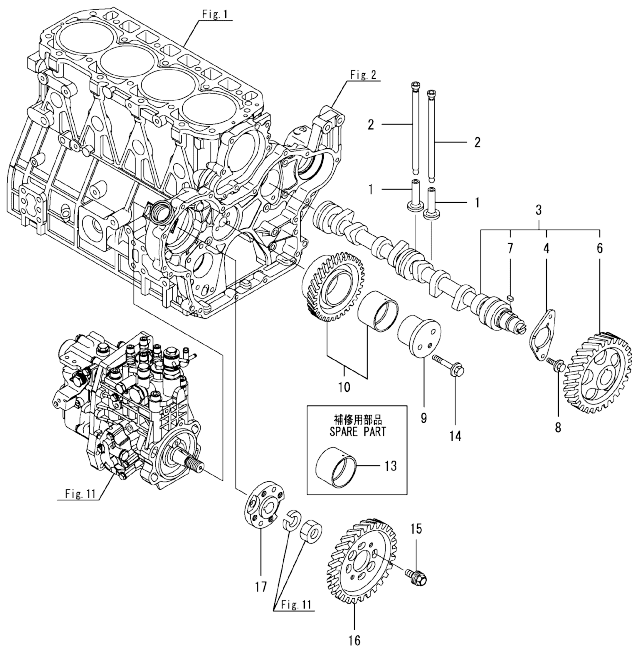


Fig.7. CAMSHAFT & DRIVING GEAR



(A)=4TNV98-GGB1B
(B)=
(C)=

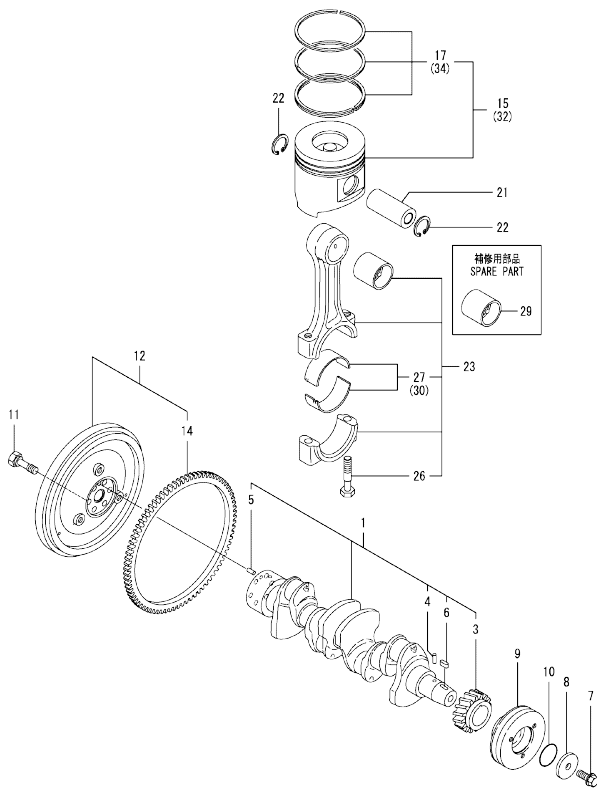
(D)=
(E)=
(F)=

No.	Lev.	Parts No.	Description	Q'ty						I	R
				(A)	(B)	(C)	(D)	(E)	(F)		
1	1	129150-14200	TAPPET	8							
2	1	129907-14400	PUSH-ROD	8							
3	1	129907-14581	CAMSHAFT ASSY	1							
3-1	1	129908-14581	CAMSHAFT ASSY	1							N
		(A=E17336)									
4	2	129150-02450	BEARING, THRUST	1							
6	2	129900-14100	GEAR, CAMSHAFT	1							
7	2	22512-070140	KEY, 7X 14	1							
8	1	26106-080162	BOLT, M8X 16 PLATED	2							
8-1	1	26106-080142	BOLT, M8X 14 PLATED	2							N
		(A=2013.11)									
9	1	123900-25060	SHAFT, IDLE GEAR	1							
10	1	129900-25100	GEAR ASSY, IDLE	1							
13	1	129150-25920	BUSH, IDLE GEAR	1							1
14	1	26106-080552	BOLT, M8X 55 PLATED	3							
15	1	129953-25300	BOLT	4							
16	1	129907-25900	GEAR, PUMP	1							
17	1	158563-51150	FLANGE	1							

Remarks

(1)Spare parts.

Fig.8. CRANKSHAFT & PISTON



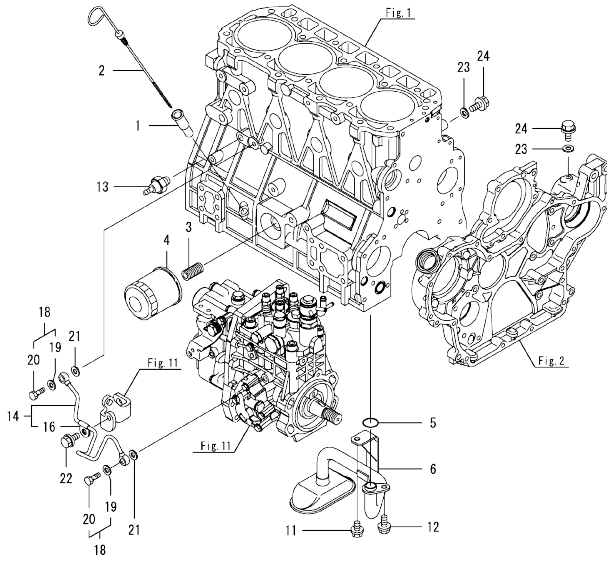
- Remarks
 (1) Spare parts.
 (2) Under-sized (U.S.=0.25) parts.
 (3) Over-sized (O.S.=0.25) parts.
 (4) Interchangeable by simultaneous replacement with No.8-1 & 10-1.

(A)=4TNV98-GGB1B
 (B)=
 (C)=

(D)=
 (E)=
 (F)=

No.	Lev.	Parts No.	Description	Qty						I	R
				(A)	(B)	(C)	(D)	(E)	(F)		
1	1	129902-21000	CRANKSHAFT ASSY	1							
3	2	129900-21200	GEAR, CRANKSHAFT	1							
4	2	121850-21290	PIN	1							
5	2	121850-21920	PIN, PARALLEL 10X22	1							
6	2	22512-070140	KEY, 7X 14	1							
7	1	129916-21610	BOLT	1							
8	1	129960-21640	WASHER	1							
8-1	1	129960-21940 (A=EO4377)	WASHER, V-PULLEY	1						F	4
9	1	129907-21650	V-PULLEY, CRANK 130	1							
10	1	24341-000530	O-RING, 1AS53.0	1							
10-1	1	129960-21930 (A=EO4377)	GASKET, WASHER	1						F	4
11	1	121850-21130	BOLT, FLYWHEEL	6							
12	1	129920-21580	FLYWHEEL ASSY	1							
14	2	127410-21480	GEAR, RING Z=129	1							
15	1	129907-22090	PISTON ASSY, 18.5	4							
17	2	129907-22050	RING SET, PISTON	4							
17-1	2	129907-22051 (A=EF0412)	RING SET, PISTON	4							R
21	1	120130-22301	PIN, PISTON	4							
22	1	22252-000300	RING, 30	8							
23	1	129900-23001	ROD ASSY, CONNECTING	4							
26	2	129900-23200	BOLT, CONNECTING ROD	8							
27	2	129900-23601	BEARING, CRANK PIN	4							
29	1	129900-23911	BEARING, PISTON PIN	4							1
30	1	129900-23611	BEARING ASSY, 0.25US	4							2
32	1	729907-22910	PISTON ASSY, 0.25 OS	4							3
34	2	729907-22950	RING SET, 0.25 OS	4							3

Fig.9. LUB. OIL SYSTEM



(A)=4TNV98-GGB1B
(B)=
(C)=

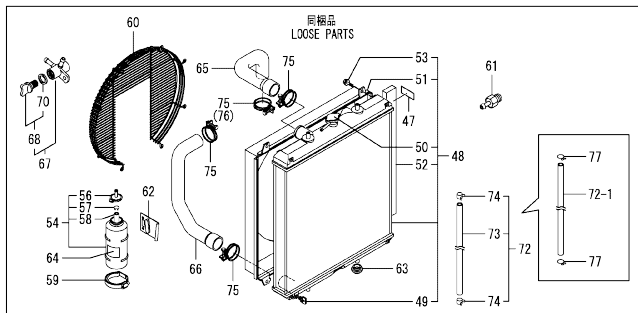
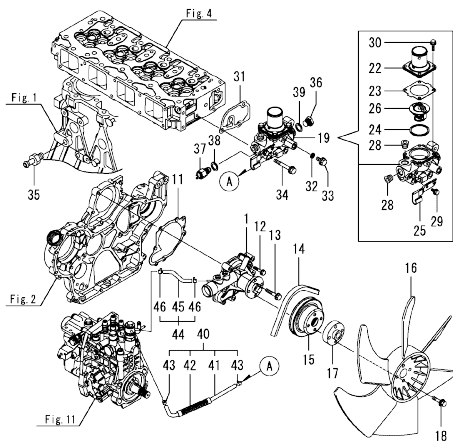
(D)=
(E)=
(F)=

No.	Lev.	Parts No.	Description	Q'ty						I	R
				(A)	(B)	(C)	(D)	(E)	(F)		
1	1	121520-34810	GUIDE, DIPSTICK	1							
2	1	129953-34830	DIPSTICK	1							
3	1	119000-35140	BOLT, STUD FILTER	1							
4	1	119005-35151	FILTER, D80X100	1							1
5	1	129900-32030	O-RING, P20	1							
6	1	129953-35000	PIPE ASSY, OIL INLET	1							
11	1	26106-080122	BOLT, M8X 12 PLATED	1							
12	1	26106-080162	BOLT, M8X 16 PLATED	1							
13	1	114250-39450	SWITCH, HYDRAULIC	1							
14	1	129907-39061	PIPE ASSY, OIL	1							
16	2	123907-39500	RETAINER, PIPE	1							
18	1	129005-59830	BOLT ASSY, JOINT M8	2							
19	2	22190-080002	WASHER, SEAL 8	2							
20	2	23857-030000	BOLT, JOINT 3	2							
21	1	22190-080002	WASHER, SEAL 8	2							
22	1	26106-080122	BOLT, M8X 12 PLATED	1							
23	1	22190-080002	WASHER, SEAL 8	2							
24	1	26106-080122	BOLT, M8X 12 PLATED	2							

Remarks

(1)Spare parts.

Fig.10. COOLING WATER SYSTEM

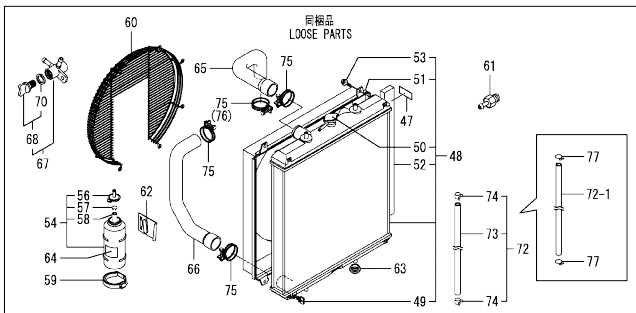
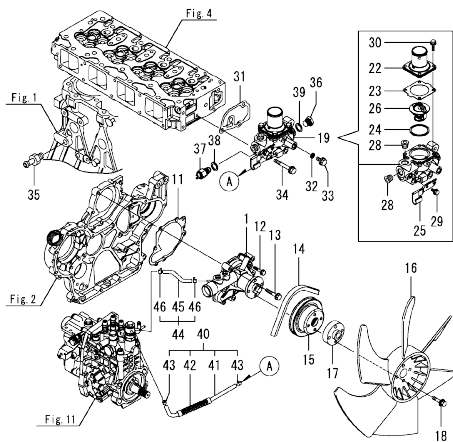


Remarks
 (1) Interchangeable by simultaneous replacement with No.77.

No.	Lev.	Parts No.	Description	Q'ty						I	R
				(A)	(B)	(C)	(D)	(E)	(F)		
1	1	129907-42000	PUMP ASSY, WATER	1							
1-1	1	129907-42001 (A=EB8137)	PUMP ASSY, WATER	1							N
1-2	1	129907-42002 (A=ES6068)	PUMP ASSY, CW LOW	1							R
11	1	129900-42020	GASKET, WATER PUMP	1							
12	1	26106-060302	BOLT, M6X 30 PLATED	2							
13	1	26106-080552	BOLT, M8X 55 PLATED	5							
14	1	129940-42320	V-BELT, A41	1							
15	1	129900-42461	V-PULLEY, C.W.PUMP	1							
15-1	1	129900-42462 (A=EJ5783)	V-PULLEY, PUMP	1							R
16	1	129916-44740	FAN, COOLING D=430	1							
17	1	119130-44760	SPACER, FAN	1							
18	1	26014-080352	BOLT, M8X 35	4							
19	1	129907-49800	CASE ASSY, THERMOSTAT	1							
22	2	129916-49530	COVER, THERMOSTAT	1							
23	2	121850-49540	GASKET, THERMOSTAT	1							
24	2	121850-49550	GASKET, THERMOSTAT	1							
25	2	129907-49730	RETAINER, PIPE	1							
26	2	121850-49810	THERMOSTAT, 71C	1							
26-1	2	121850-49811 (A=EF0412)	THERMOSTAT, 71C	1							N
28	2	23875-030000	PLUG, R03	2							
29	2	26106-060122	BOLT, M6X 12 PLATED	1							
30	2	26106-060202	BOLT, M6X 20 PLATED	4							
31	1	129900-49870	GASKET, THERMOSTAT	1							
32	1	23414-080000	GASKET, 8X1.0	1							
33	1	26106-080122	BOLT, M8X 12 PLATED	1							
34	1	26106-080602	BOLT, M8X 60 PLATED	3							
35	1	121550-49111	JOINT, PT1/4	1							
36	1	121450-42450	PLUG, M16	1							
37	1	121250-44901	SWITCH, THERMO 110	1							
38	1	124465-44950	GASKET, 16	1							
39	1	124465-44950	GASKET, 16	1							
40	1	129907-49610	HOSE ASSY, WATER	1							
41	2	129907-49710	HOSE, WATER	1							
42	2	129907-49750	TUBE, CORRUGATED	1							
43	2	124722-59050	CLAMP, HOSE 9	2							
44	1	129907-49620	HOSE ASSY, WATER	1							
45	2	129907-49720	HOSE, WATER	1							
46	2	124722-59050	CLAMP, HOSE 9	2							
47	1	172437-03391	LABEL, RADIATOR	1							
48	1	129940-44500	RADIATOR ASSY	1							
49	2	129508-44550	COCK ASSY	1							
50	2	129107-44590	CAP, RADIATOR	1							
51	2	129907-44600	SHROUD	1							
52	2	129907-44610	GASKET	2							
53	2	26014-060122	BOLT, M6X 12	4							
54	1	124450-44510	TANK ASSY, SUB	1							
56	2	124450-44530	CAP, SUB-TANK	1							

N:Old $\frac{New}{Old}$ New, Q:Old $\frac{New}{Old}$ New, R:Old $\frac{New}{Old}$ New, S:Old $\frac{New}{Old}$ New, W:Add, Z:Discontinued, F:Interchangeable by set, K:Q'ty Change
 ++ CONTINUE ++
 Copyright (C) YANMAR GLOBAL CS CO., LTD. All Rights Reserved.

Fig.10. COOLING WATER SYSTEM



(A)=4TNV98-GGB1B
(B)=
(C)=

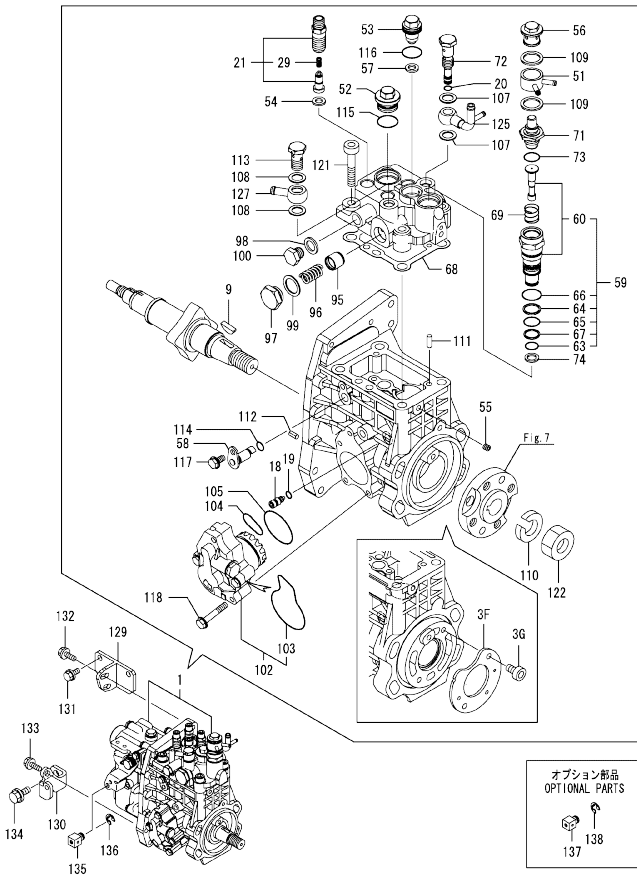
(D)=
(E)=
(F)=

No.	Lev.	Parts No.	Description	Qty						I	R
				(A)	(B)	(C)	(D)	(E)	(F)		
57	2	124450-44560	CLAMP, HOSE	1							
58	2	23061-070230	PIPE, 7X 230	1							
59	1	124450-44550	BAND, SUB-TANK	1							
60	1	129907-44560	GUARD, FAN	1							
61	1	119156-44600	COCK ASSY	1							
62	1	121256-44600	BRACKET, SUB TANK	1							
63	1	119255-44660	ABSORBER	4							
64	1	124764-44810	LABEL, SUB TANK	1							
65	1	129981-49050	HOSE, WATER	1							
66	1	129981-49062	HOSE, WATER	1							
67	1	129150-49100	COCK ASSY, 3-WAY	1							
68	2	129150-49080	COCK, DRAIN	1							
70	3	119629-49080	GASKET	1							
72	1	129210-49280	PIPE ASSY, DRAIN	1							
72-1	1	121737-49150	PIPE, WATER DRAIN	1							F 1
73	2	(A=EF0412) 121737-49150	PIPE, WATER DRAIN	1							Z
74	2	(A=EF0412) 124766-59050	CLAMP, HOSE 11.5	2							Z
75	1	(A=EF0412) 23010-060000	CLAMP, 60	4							
75-1	1	(A=EF0412) 23000-060000	CLAMP, 60	3							N
76	1	(A=E49247) 23000-048000	CLAMP, 48	1							W
77	1	(A=E49247) (A=EF0412) 121250-44590	CLAMP, HOSE	2							W

Remarks

(1)Interchangeable by simultaneous replacement with No.77.

Fig.11. FUEL INJECTION PUMP

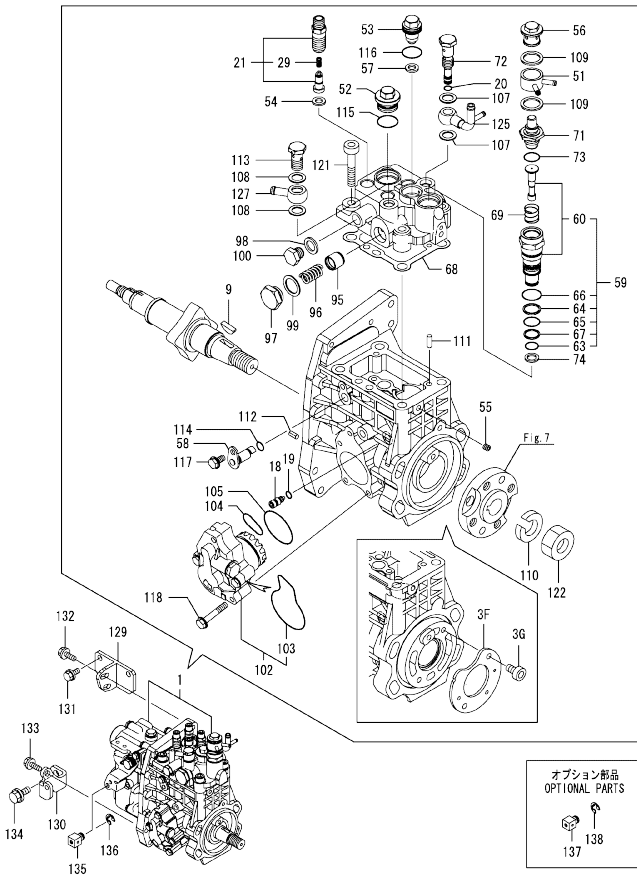


Remarks
 (1)Governor(Fig.12) is incorporated in this Fuel Injection Pump(No.1).

No.	Lev.	Parts No.	Description	Q'ty						I	R	
				(A)	(B)	(C)	(D)	(E)	(F)			
1	1	72946-51390	FIE ASSY	1							1	
3F	2	129928-51900 (A=EB8137)	COVER	1								W
3G	2	129008-51920 (A=EB8137)	BOLT, SOCKET M6X10	2								W
9	2	144626-51090	FEATHER KEY, 5X19	1								
18	2	158600-51270	STOPPER, TAPPET	1								
19	2	158563-51281	O-RING, 4D S6	1								
20	2	158563-51281	O-RING, 4D S6	1								
21	2	129509-51390 (A=E41899)	VALVE ASSY, DELIVERY	4								W
29	3	158563-51330	SPRING, DELIVERY	4								
51	2	158553-51551	JOINT, COOLING WATER	1								
52	2	158601-51550	PLUG, M22	1								
53	2	129907-51560	PLUG, M16	1								
54	2	158552-51570	GASKET, PLUG	4								
54-1	2	158552-51571 (A=EB8658)	GASKET, PLUG	4								R
55	2	158557-51570	PLUG, RACK	1								
56	2	158601-51570	PLUG	1								
57	2	129906-51580	GASKET, PLUG	1								
58	2	158552-51580	LIFTER, LINK	1								
59	2	119802-51590	TIMER ASSY	1								
60	3	119802-51600	TIMER ASSY	1								
63	3	158553-51670	O-RING	1								
64	3	119802-51680	RING, BACKUP	1								
65	3	119802-51690	O-RING	1								
66	3	24356-010200	O-RING, 4D1020	1								
66-1	3	24356-190200 (A=EB8137)	O-RING, 4D19020	1								R
67	3	24372-000150	RING, BACK UP T2P15	1								
68	2	158560-51600	GASKET	1								
69	2	158553-51630	SPRING, TIMER	1								
71	2	158553-51640	THERMOELEMENT	1								
72	2	158601-51650	JOINT, OVER FLOW	1								
73	2	158553-51660	O-RING, P14	1								
74	2	158553-51680	GASKET, TIMER	1								
95	2	158601-51770	PISTON, ACCUMULATOR	1								
96	2	158552-51781	SPRING, ACCUMULATOR	1								
97	2	158601-51790	PLUG	1								
98	2	22190-120002	WASHER, SEAL 12	1								
99	2	22190-180002	WASHER, SEAL 18	1								
100	2	23887-120002	PLUG, 12	1								
100-1	2	158553-51930 (A=EA9607)	PLUG, M12	1								R
102	2	158552-52100	PUMP ASSY, FUEL FEED	1								
103	3	158552-52500	O-RING	1								
104	2	158552-52310	O-RING	1								
104-1	2	158552-52311 (A=EB8137)	O-RING	1								R
105	2	158552-52400	O-RING, 4E S42	1								

N:Old $\frac{New}{Old}$ New, Q:Old $\frac{New}{Old}$ New, R:Old $\frac{New}{Old}$ New, S:Old $\frac{New}{Old}$ New, W:Add, Z:Discontinued, F:Interchangeable by set, K:Q'ty Change
 ++ CONTINUE ++
 Copyright (C) YANMAR GLOBAL CS CO., LTD. All Rights Reserved.

Fig.11. FUEL INJECTION PUMP



(A)=4TNV98-GGB1B
(B)=
(C)=

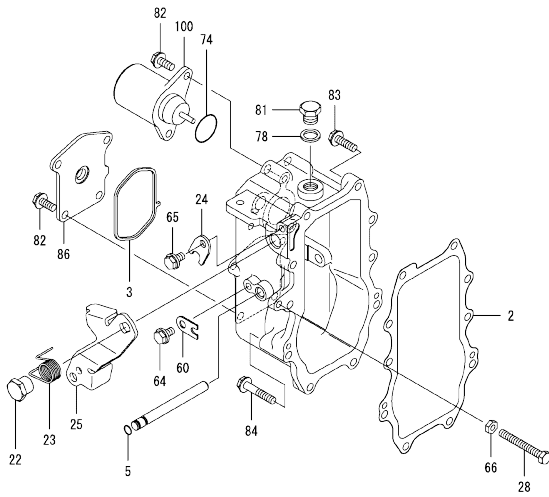
(D)=
(E)=
(F)=

No.	Lev.	Parts No.	Description	Q'ty						I	R
				(A)	(B)	(C)	(D)	(E)	(F)		
107	2	22190-120002	WASHER, SEAL 12	2							
108	2	22190-120002	WASHER, SEAL 12	2							
109	2	22190-180002	WASHER, SEAL 18	2							
110	2	22217-180000	WASHER, SPRING 18	1							
111	2	22312-050140	PIN, PARALLEL 5X14	2							
112	2	22351-050010	PIN, SPRING 5.0X10	2							
113	2	23857-060000	BOLT, JOINT 6	1							
114	2	24311-000070	O-RING, 1AP7.0	1							
115	2	24356-010200	O-RING, 4D1020	1							
115-1	2	24356-190200	O-RING, 4D19020	1							R
		(A=EB8137)									
116	2	24356-020210	O-RING, 4D2021	1							
116-1	2	24356-240210	O-RING, 4D24021	1							R
		(A=EB8137)									
117	2	26106-060102	BOLT, M6X 10 PLATED	1							
118	2	26106-060352	BOLT, M6X 35 PLATED	4							
121	2	26450-100452	BOLT, M10X 45	4							
122	2	26776-180002	NUT, LOCK M18	1							
125	2	158552-51670	JOINT, OVER FLOW	1							
127	2	129916-59020	JOINT, PIPE 12	1							
129	1	129907-01950	RETAINER, PUMP	1							
130	1	129907-01960	RETAINER, PUMP	1							
131	1	26106-080162	BOLT, M8X 16 PLATED	2							
132	1	26106-080222	BOLT, M8X 22 PLATED	2							
133	1	26106-080222	BOLT, M8X 22 PLATED	1							
134	1	26106-100202	BOLT, M10X 20 PLATED	1							
135	1	124756-67510	RETAINER	1							Z
		(A=EA9607)									
136	1	22272-000070	RING, E- 7	1							Z
		(A=EA9607)									
137	1	124756-67510	RETAINER	1							W
		(A=EA9607)									
138	1	22272-000070	RING, E- 7	1							W
		(A=EA9607)									

Remarks
(1)Governor(Fig.12) is incorporated in this Fuel Injection Pump(No.1).

OCD10-M94601 4TNV98-GGB1B
 Fig.12. GOVERNOR

OCD10-M94601 Fig.12



(A)=4TNV98-GGB1B
 (B)=
 (C)=

(D)=
 (E)=
 (F)=

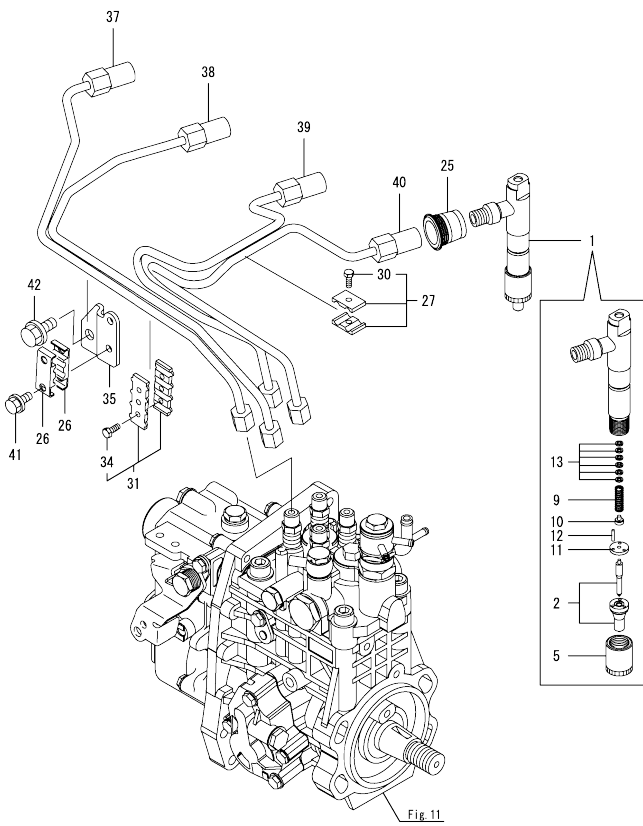
No.	Lev.	Parts No.	Description	Q'ty						I	R
				(A)	(B)	(C)	(D)	(E)	(F)		
2	2	158560-61050	GASKET	1							
3	2	158560-61071	GASKET	1							
5	2	129155-51280	O-RING, S6	1							
22	2	129255-61410	NUT, M8	1							
23	2	119807-61420	SPRING, RETURN	1							
24	2	158560-61430	STOPPER, SHAFT	1							
25	2	129937-61440	LEVER, REGULATOR	1							
28	2	129155-61460	BOLT, LIMITING	1							
60	2	119660-61901	STOPPER, SHAFT	1							
64	2	26106-060102	BOLT, M6X 10 PLATED	1							
65	2	26106-060102	BOLT, M6X 10 PLATED	1							
66	2	26756-060002	NUT, LOCK M6	1							
74	2	158552-61900	O-RING	1							
78	2	22190-160002	WASHER, SEAL 16	1							
81	2	23887-160002	PLUG, 16	1							
82	2	26106-060142	BOLT, M6X 14 PLATED	6							
83	2	26106-060252	BOLT, M6X 25 PLATED	8							
84	2	26106-060402	BOLT, M6X 40 PLATED	2							
86	2	129946-61061	COVER, GOVERNOR CASE	1							
100	2	119653-77950	SOLENOID, STOP	1							

Remarks

* This figure(Governor) is incorporated in the Fuel Injection Pump(Fig.11).

N:Old $\frac{100}{100}$ New, Q:Old $\frac{100}{100}$ New, R:Old $\frac{100}{100}$ New, S:Old $\frac{100}{100}$ New, W:Add, Z:Discontinued, F:Interchangeable by set, K:Qty Change
 Copyright (C) YANMAR GLOBAL CS CO., LTD. All Rights Reserved.

Fig.13. FUEL INJECTION VALVE

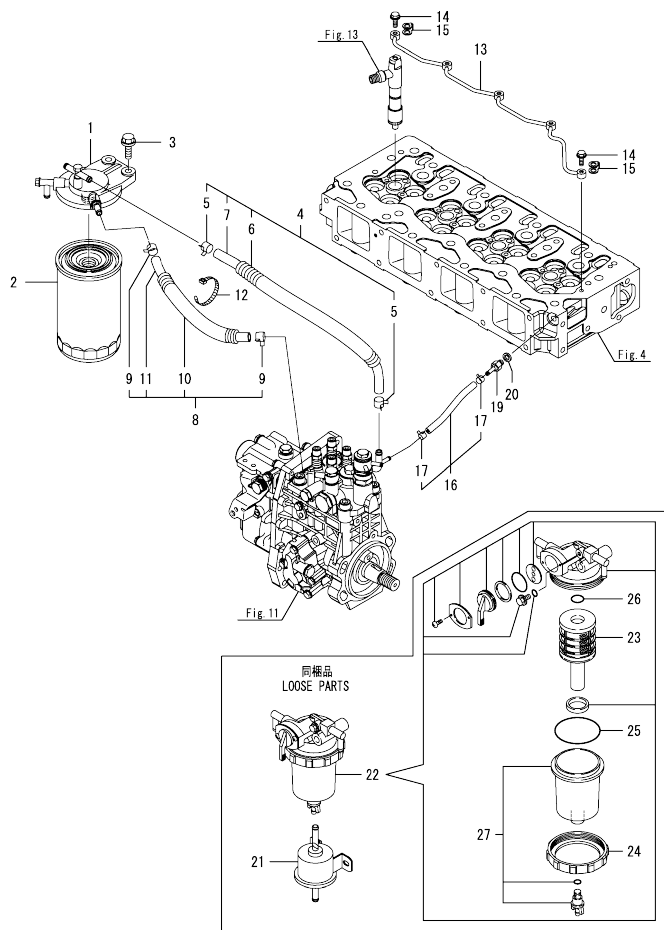


(A)=4TNV98-GGB1B
(B)=
(C)=

(D)=
(E)=
(F)=

No.	Lev.	Parts No.	Description	Q'ty						I	R
				(A)	(B)	(C)	(D)	(E)	(F)		
1	1	729946-53300	FUEL INJECTOR ASSY	4							
2	2	129937-53000	NOZZLE ASSY, F.I.	4							
5	2	114250-53080	NUT, NOZZLE	4							
9	2	114250-53120	SPRING, NOZZLE	4							
10	2	114250-53130	SEAT, SPRING	4							
11	2	114250-53140	SPACER	4							
12	2	114250-53210	PIN	8							
13	2	114250-53400	SHIM SET	4							
13-1	2	119803-53400	SHIM SET	4							R
(A=E97002)											
25	1	123907-11601	SEAL, PIPE	4							
26	1	122780-59100	RETAINER	2							
27	1	119305-59120	RETAINER, PIPE	1							
30	2	129150-59131	BOLT, M4X14	1							
31	1	129550-59120	RETAINER, PIPE	1							
34	2	129150-59131	BOLT, M4X14	2							
35	1	129907-59720	SUPPORT	1							
37	1	129906-59810	PIPE ASSY, INJECTION	1							
38	1	129906-59820	PIPE ASSY, INJECTION	1							
39	1	129906-59830	PIPE ASSY, INJECTION	1							
40	1	129906-59840	PIPE ASSY, INJECTION	1							
41	1	26106-060162	BOLT, M6X 16 PLATED	2							
42	1	26106-080182	BOLT, M8X 18 PLATED	1							

Fig.14. FUEL PIPE

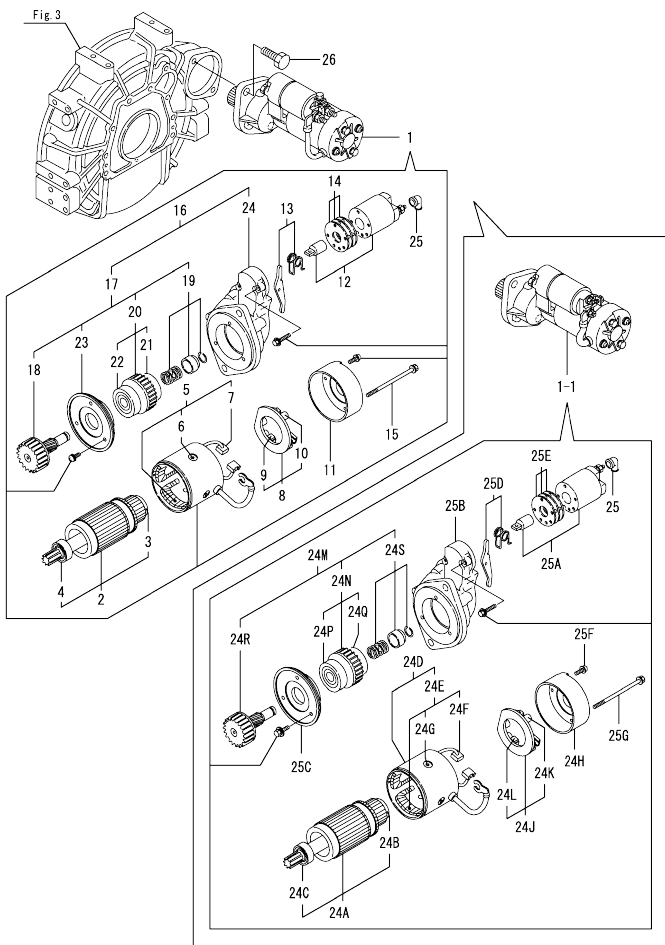


(A)=4TNV98-GGB1B
(B)=
(C)=

(D)=
(E)=
(F)=

No.	Lev.	Parts No.	Description	Qty						I	R	
				(A)	(B)	(C)	(D)	(E)	(F)			
1	1	129004-55612	BRACKET, FILTER	1								
2	1	129907-55801	FILTER, FUEL	1								
3	1	26106-080302	BOLT, M8X 30 PLATED	2								
4	1	129457-59010	HOSE ASSY, FUEL	1								
5	2	124766-59050	CLAMP, HOSE 11.5	2								
6	2	129957-59120	TUBE, CORRUGATED 15	1								
7	2	105025-59750	HOSE, FUEL	1								
8	1	129981-59010	HOSE ASSY, FUEL	1								
9	2	124766-59050	CLAMP, HOSE 11.5	2								
10	2	129950-59221	TUBE, CORRUGATED 15	1								
11	2	129980-59510	HOSE, FUEL	1								
12	1	121750-59890	BAND, NYLON	1								
13	1	129907-59140	PIPE ASSY, RETURN	1								
14	1	123907-59540	BOLT, PIPE JOINT M6	5								
15	1	123907-59550	GASKET	5								
16	1	129486-59551	HOSE ASSY, RETURN	1								
17	2	124722-59050	CLAMP, HOSE 9	2								
19	1	123907-59560	JOINT, HOSE	1								
20	1	22190-080002	WASHER, SEAL 8	1								
21	1	129612-52100	PUMP, FUEL FEED	1								
22	1	129906-55700	SEPARATOR ASSY,WATER	1								
22-1	1	129906-55711	SEPARATOR ASSY,WATER	1								N
		(A=E17336)										
23	2	119802-55710	ELEMENT	1								
24	2	129100-55690	RING, CUP RETAINING	1								
25	2	24321-000650	O-RING, 1AG65.0	1								
26	2	24311-000160	O-RING, 1AP16.0	1								
27	2	119802-55730	CUP ASSY, SEPARATOR	1								

Fig.15. STARTER MOTOR



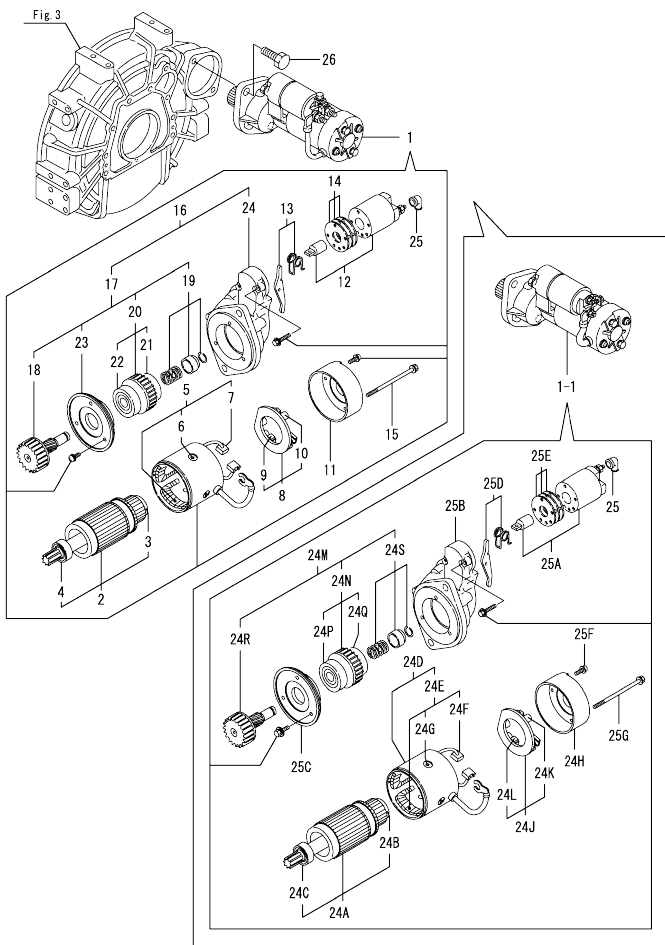
(A)=4TNV98-GGB1B
(B)=
(C)=

(D)=
(E)=
(F)=

No.	Lev.	Parts No.	Description	(A)	(B)	(C)	(D)	(E)	(F)	I	R
1	1	129900-77010	STARTER ASSY	1							
1-1	1	129900-77040 (A=EA9607)	STARTER ASSY	1							R
2	2	129900-77400 (A=EA9607)	ARMATURE ASSY	1							Z
3	3	X2114155110 (A=EA9607)	BEARING, BALL	1							Z
4	3	X2114255110 (A=EA9607)	BEARING, BALL	1							Z
5	2	129900-77440 (A=EA9607)	COIL ASSY, FIELD	1							Z
6	3	171008-77450 (A=EA9607)	SCREW, CORE SET	4							Z
7	3	129900-77450 (A=EA9607)	BRUSH	2							Z
8	2	129900-77480 (A=EA9607)	HOLDER ASSY, BRUSH	1							Z
9	3	129900-77450 (A=EA9607)	BRUSH	2							Z
10	3	X2130631300 (A=EA9607)	SPRING, BRUSH	4							Z
11	2	129900-77460 (A=EA9607)	COVER	1							Z
12	2	129900-77591 (A=EA9607)	SWITCH ASSY, MAGNET	1							Z
13	2	129900-77620 (A=EA9607)	LEVER SET	1							Z
14	2	129900-77650 (A=EA9607)	COVER KIT, DUST	1							Z
15	2	129900-77640 (A=EA9607)	BOLT, THROUGH	2							Z
16	2	129900-77700 (A=EA9607)	CASE ASSY, GEAR	1							Z
17	3	129900-77510 (A=EA9607)	PINION ASSY,W/CLUTCH	1							Z
18	4	129900-77540 (A=EA9607)	SHAFT, PINION	1							Z
19	4	129900-77550 (A=EA9607)	STOPPER SET, PINION	1							Z
20	4	129900-77520 (A=EA9607)	CLUTCH ASSY	1							Z
21	5	171008-77730 (A=EA9607)	BEARING, BALL	1							Z
22	5	171008-77740 (A=EA9607)	BEARING, BALL	1							Z
23	4	129900-77610 (A=EA9607)	RETAINER, BEARING	1							Z
24	3	129900-77710 (A=EA9607)	CASE, GEAR	1							Z
24A	2	129900-77120 (A=EA9607)	ARMATURE ASSY	1							W

N:Old $\frac{New}{Old}$ New, Q:Old $\frac{New}{Old}$ New, R:Old $\frac{New}{Old}$ New, S:Old $\frac{New}{Old}$ New, W:Add, Z:Discontinued, F:Interchangeable by set, K:Qty Change
 ++ CONTINUE ++
 Copyright (C) YANMAR GLOBAL CS CO., LTD. All Rights Reserved.

Fig.15. STARTER MOTOR



No.	Lev.	Parts No.	Description	Qty						I	R
				(A)	(B)	(C)	(D)	(E)	(F)		
24B	3	171008-77410 (A=EA9607)	BEARING, BALL	1							W
24C	3	171008-77420 (A=EA9607)	BEARING, BALL	1							W
24D	2	129900-77130 (A=EA9607)	YOKE ASSY	1							W
24E	3	129900-77140 (A=EA9607)	COIL ASSY, FIELD	1							W
24F	4	129900-77450 (A=EA9607)	BRUSH	2							W
24G	4	171008-77450 (A=EA9607)	SCREW, CORE SET	4							W
24H	2	129900-77150 (A=EA9607)	COVER	1							W
24J	2	129900-77160 (A=EA9607)	HOLDER ASSY, BRUSH	1							W
24K	3	X2130631300 (A=EA9607)	SPRING, BRUSH	4							W
24L	3	129900-77450 (A=EA9607)	BRUSH	2							W
24M	2	129900-77170 (A=EA9607)	CLUTCH ASSY	1							W
24N	3	129900-77180 (A=EA9607)	CLUTCH ASSY	1							W
24P	4	129900-77190 (A=EA9607)	BEARING, BALL	1							W
24Q	4	X2114955020 (A=EA9607)	BEARING, BALL	1							W
24R	3	129900-77270 (A=EA9607)	SHAFT, PINION	1							W
24S	3	171008-77670 (A=EA9607)	STOPPER SET, PINION	1							W
25	2	171008-77750 (A=EA9607)	COVER, TERMINAL	1							W
25A	2	129900-77280 (A=EA9607)	SWITCH ASSY, MAGNET	1							W
25B	2	129900-77290 (A=EA9607)	CASE, GEAR	1							W
25C	2	129900-77380 (A=EA9607)	RETAINER, BEARING	1							W
25D	2	129900-77390 (A=EA9607)	LEVER ASSY, SHIFT	1							W
25E	2	129900-77420 (A=EA9607)	COVER KIT, DUST	1							W
25F	2	129900-77430 (A=EA9607)	SCREW, M4X10	2							W
25G	2	129685-77640 (A=EA9607)	BOLT, THROUGH	2							W
26	1	26116-120302	BOLT, M12X 30 PLATED	2							
26-1	1	26106-120252 (A=EF0482)	BOLT, M12X 25 PLATED	2							R

N:Old $\frac{100}{100}$ New, Q:Old $\frac{100}{100}$ New, R:Old $\frac{100}{100}$ New, S:Old $\frac{100}{100}$ New, W:Add, Z:Discontinued, F:Interchangeable by set, K:Qty Change
Copyright (C) YANMAR GLOBAL CS CO., LTD. All Rights Reserved.

OCD10-M94601 4TNV98-GGB1B

Fig.18. (15A)STARTER MOTOR

OCD10-M94601 Fig.18

(A)=4TNV98-GGB1B
(B)=
(C)=

(D)=
(E)=
(F)=

No.	Lev.	Parts No.	Description	Q'ty						I	R
				(A)	(B)	(C)	(D)	(E)	(F)		
1	1	129908-77000	STARTER,12V-2.3KW	1							
2	1	26106-120252	BOLT, M12X 25 PLATED	2							

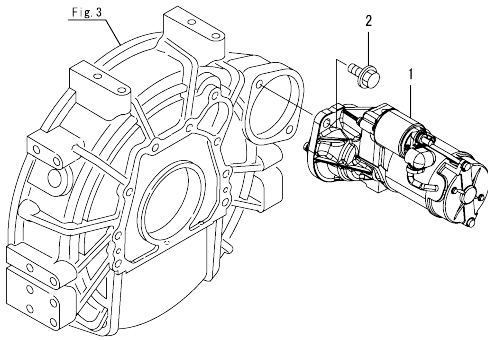
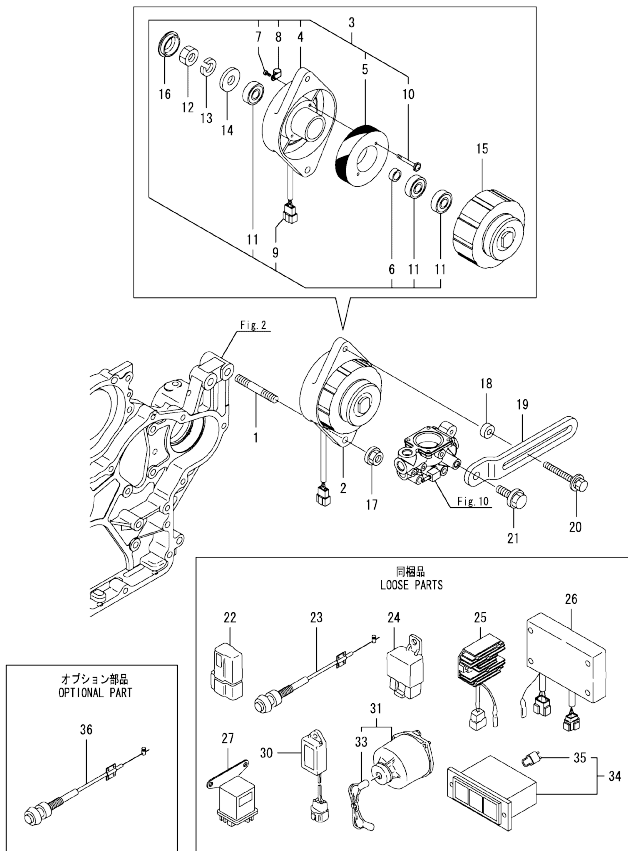


Fig.16. GENERATOR



(A)=4TNV98-GGB1B
(B)=
(C)=

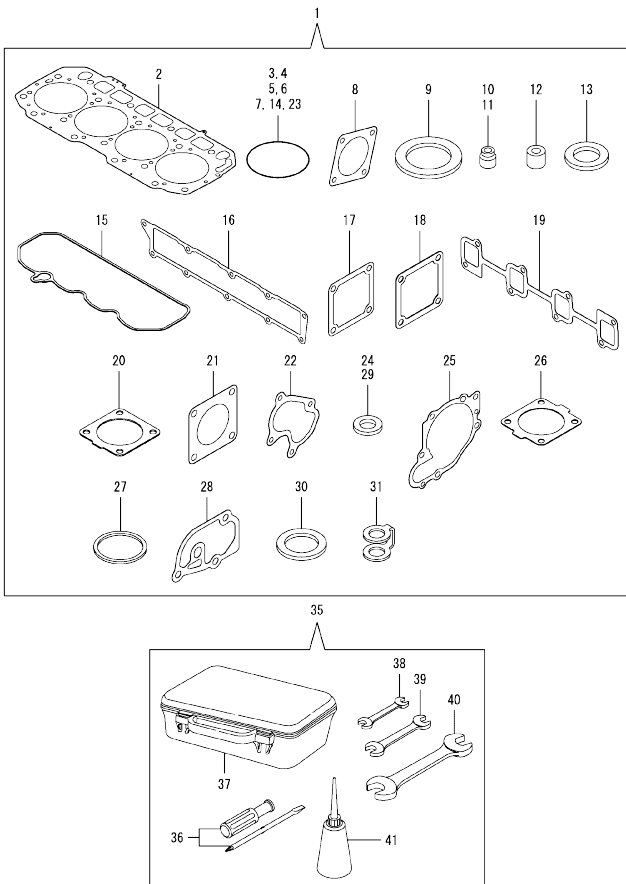
(D)=
(E)=
(F)=

No.	Lev.	Parts No.	Description	Q'ty						I	R
				(A)	(B)	(C)	(D)	(E)	(F)		
1	1	129795-01900	BOLT, STUD M10X33	1							
2	1	119910-77200	DYNAMO ASSY	1							
3	2	X2A10592KA	PLATE ASSY	1							
4	3	X2A07075KB	PLATE, COIL	1							
5	3	X3A02982KC	STATOR ASSY	1							
6	3	X4A10092KA	COLLAR	1							
7	3	XYSPS400800	SCREW	1							
8	3	XM069000000	CLAMP	1							
9	3	XM771860000	COUPLER	1							
10	3	119259-77250	SCREW	2							
11	3	24104-062010	BEARING, 6201UUC3	3							
12	2	XM863720000	NUT	1							
13	2	XM219230000	WASHER, SPRING	1							
14	2	XM860250000	WASHER, 10	1							
15	2	X3A08863KA	FLYWHEEL ASSY	1							
16	2	XM771870000	CAP	1							
17	1	26306-10002	NUT, M10	1							
18	1	119940-77270	SPACER	1							Z
(A=EC0695)											
19	1	129972-77330	ADJUSTER, BELT	1							
19-1	1	129988-77330	ADJUSTER, BELT	1							S 1
(A=EC0695)											
20	1	129972-77341	BOLT, ADJUST L=50	1							
20-1	1	119810-77340	BOLT, ADJUST L=30	1							S 1
(A=EC0695)											
21	1	26106-080222	BOLT, M8X 22 PLATED	1							
21-1	1	26014-080252	BOLT, M8X 25	1							S 1
(A=EC0695)											
22	1	119643-66900	DIODE	1							
23	1	170032-67110	WIRE	1							Z
(A=EA9607)											
24	1	119247-77100	RELAY, POWER	2							
25	1	119653-77710	CURRENT LIMITER	1							
25-1	1	119653-77711	CURRENT LIMITER	1							N
(A=EA9607)											
26	1	171440-77801	RELAY, EMERGENCY	1							
27	1	119650-77910	RELAY ASSY, GLOW	1							
27-1	1	119650-77911	RELAY ASSY, GLOW	1							N
(A=EG6114)											
30	1	129211-77920	TIMER	1							
31	1	129115-91250	SWITCH ASSY, STARTER	1							
33	2	129115-91270	KEY	1							
34	1	170038-91310	LAMP UNIT	1							
35	2	183001-91300	LAMP	1							
36	1	170032-67110	WIRE	1							W
(A=EA9607)											

Remarks

(1)Interchangeable by simultaneous replacement with No.19-1, 20-1 & 21-1.

Fig.17. GASKET SET



(A)=4TNV98-GGB1B
(B)=
(C)=

(D)=
(E)=
(F)=

No.	Lev.	Parts No.	Description	(A)	(B)	(C)	(D)	(E)	(F)	Q'ty	I	R
1	1	729946-92630	GASKET SET	1								1
2	2	129907-01331	GASKET, HEAD	1								
3	2	129900-32030	O-RING, P20	2								
4	2	129900-32040	O-RING, P14	1								
5	2	24311-000070	O-RING, 1AP7.0	1								
6	2	24351-030750	O-RING, 1A3075	1								
7	2	24311-000320	O-RING, 1AP32.0	2								
8	2	124240-01883	GASKET	1								
8-1	2	129C26-01890	GASKET, HO-P	1								R
(A=EM2704)												
9	2	22190-220002	WASHER, SEAL 22	1								
10	2	119803-11340	SEAL, VALVE STEM	8								
11	2	124160-11340	SEAL, VALVE STEM	8								
12	2	119802-11870	PROTECTOR, NOZZLE	4								
13	2	119625-11880	SEAT, NOZZLE	4								
14	2	24311-000120	O-RING, 1AP12.0	8								
15	2	129907-11310	GASKET, BONNET	1								
15-1	2	129933-11310	GASKET, BONNET	1								N
(A=E49247)												
16	2	129907-12110	GASKET, MANIFOLD	1								
17	2	119129-77020	GASKET	1								
18	2	121850-77021	GASKET, AIR HEATER	1								
19	2	129900-13251	GASKET, EXH.MANIFOLD	1								
20	2	129930-13201	GASKET, SILENCER	1								
20-1	2	129930-13201	GASKET, SILENCER	4								K
(A=E55800)												
21	2	128300-13230	GASKET, SILENCER	3								
21-1	2	128300-13230	GASKET, SILENCER	1								K
(A=E55800)												
21-2	2	128300-13230	GASKET, SILENCER	2								K
(A=E72785)												
22	2	123901-18080	GASKET	1								
23	2	24341-000530	O-RING, 1AS53.0	1								
24	2	22190-080002	WASHER, SEAL 8	7								
25	2	129900-42020	GASKET, WATER PUMP	1								
26	2	121850-49540	GASKET, THERMOSTAT	1								
27	2	121850-49550	GASKET, THERMOSTAT	1								
28	2	129900-49870	GASKET, THERMOSTAT	1								
29	2	23414-080000	GASKET, 8X1.0	1								
30	2	124465-44950	GASKET, 16	2								
31	2	123907-59550	GASKET	5								
35	1	721400-92102	TOOL ASSY	1								
36	2	104200-92350	SCREW-DRIVER	1								
37	2	104200-92600	BOX, TOOL	1								
38	2	28110-100120	SPANNER, 10X12	1								
39	2	28110-140170	SPANNER, 14X17	1								
40	2	28110-190220	SPANNER, 19X22	1								
41	2	28210-000140	OILER	1								

Remarks
(1)Optional parts.

Parts No. Index

Parts No.	Fig. No.	Ref. No.
104200-92350	17	36
104200-92600	17	37
105025-59750	14	7
114250-39450	9	13
114250-53080	13	5
114250-53120	13	9
114250-53130	13	10
114250-53140	13	11
114250-53210	13	12
114250-53400	13	13
119000-01840	3	3
119000-35140	9	3
119005-12571	5	7
119005-35151	9	4
119005-77050	5	18
119005-77051	5	18 -1
119129-77020	5	16
	17	17
119129-77520	5	19
119130-44760	10	17
119131-18320	6	5
119140-67010	3	11
	13	
119156-44600	10	61
119247-77100	16	24
119255-44660	10	63
119259-77250	16	10
119305-59120	13	27
119593-11301	4	31
119620-11180	4	15
119625-11880	4	27
	17	13
119629-49080	10	70
119640-01640	3	7
119640-61400	4	62
119643-66900	16	22
119650-77910	16	27
119650-77911	16	27 -1
119653-77710	16	25
119653-77711	16	25 -1
119653-77950	12	100
119660-61901	12	60
119802-11870	4	26
	17	12
119802-51590	11	59
119802-51600	11	60
119802-51680	11	64
119802-51690	11	65
119802-55710	14	23
119802-55730	14	27

Parts No.	Fig. No.	Ref. No.
119803-11340	4	16
	17	10
119803-53400	13	13 -1
119807-61420	12	23
119808-12540	5	10
119810-77340	16	20 -1
119910-77200	16	2
119940-77270	16	18
120130-22301	8	21
121250-44590	10	77
121250-44901	10	37
121256-44600	10	62
121450-42450	10	36
121520-34810	9	1
121550-49111	10	35
121737-49150	10	72 -1
		73
121750-59890	14	12
121850-21130	8	11
121850-21290	8	4
121850-21920	8	5
121850-49540	10	23
	17	26
121850-49550	10	24
	17	27
121850-49810	10	26
121850-49811	10	26 -1
121850-77021	5	17
	17	18
122780-59100	13	26
123900-13502	6	9
123900-13610	6	3
123900-13630	6	4
123900-25060	7	9
123901-18080	6	11
	17	22
123907-03100	4	56
123907-03110	4	57
123907-03120	4	58
123907-03140	4	59
123907-11280	4	36
123907-11550	4	4
123907-11601	13	25
123907-11820	4	22
123907-11830	4	21
123907-39500	9	16
123907-59540	14	14
123907-59550	14	15
	17	31
123907-59560	14	19

Parts No.	Fig. No.	Ref. No.
123908-13510	6	10
124160-01751	2	33
	4	51
124160-11340	4	17
	17	11
124160-11360	4	65
124240-01871	2	35
124240-01883	2	36
	17	8
124450-44510	10	54
124450-44530	10	56
124450-44550	10	59
124450-44560	10	57
124465-44950	10	38
	17	39
	17	30
124722-59050	10	43
	14	46
	14	17
124756-67510	11	135
		137
124764-44810	10	64
124766-59050	10	74
	14	5
		9
126650-12680	5	11
127410-21480	8	14
128300-13230	6	8
		8 -1
		8 -2
	17	21
		21 -1
		21 -2
129001-91810	2	22
		23
129004-55612	14	1
129005-59830	9	18
129008-51920	11	3 G
129062-12560	5	8
129100-01580	2	4
	3	1
129100-55690	14	24
129107-44590	10	50
129115-91250	16	31
129115-91270	16	33
129150-02450	7	4
129150-11230	4	39
		43
129150-11750	4	20
		40

Parts No.	Fig. No.	Ref. No.
129150-11750	4	44
129150-14200	7	1
129150-25920	7	13
129150-49080	10	68
129150-49100	10	67
129150-59131	13	30
		34
129155-51280	12	5
129155-61460	12	28
129210-49280	10	72
129211-77920	16	30
129255-61410	12	22
129457-59010	14	4
129486-59551	14	16
129508-44550	10	49
129509-51390	11	21
129550-59120	13	31
129612-12650	5	11 A
129612-52100	14	21
129685-77640	15	25 G
129795-01900	16	1
129900-01200	1	27
129900-01250	1	4
129900-01740	2	5
129900-01850	2	38
129900-01870	2	39
129900-02020	1	6
129900-02341	1	33
129900-02410	1	9
129900-02931	1	24
129900-02941	1	36
129900-12530	5	9
129900-13251	6	2
	17	19
129900-14100	7	6
129900-21200	8	3
129900-23001	8	23
129900-23200	8	26
129900-23601	8	27
129900-23611	8	30
129900-23911	8	29
129900-25100	7	10
129900-32001	2	8
129900-32030	2	20
	9	5
	17	3
129900-32040	2	21
	17	4
129900-42020	10	11
	17	25

Parts No. Index

Parts No.	Fig. No.	Ref. No.	Parts No.	Fig. No.	Ref. No.	Parts No.	Fig. No.	Ref. No.	Parts No.	Fig. No.	Ref. No.
129900-42461	10	15	129907-01331	17	2	129907-49750	10	42	129982-01710	3	6
129900-42462	10	15 -1	129907-01500	2	7	129907-49800	10	19	129988-77330	16	19 -1
129900-49870	10	31	129907-01950	11	129	129907-51560	11	53	129C26-01890	2	36 -1
	17	28	129907-01960	11	130	129907-55801	14	2		17	8 -1
129900-77010	15	1	129907-03011	4	53	129907-59140	14	13	144626-51090	11	9
129900-77040	15	1 -1	129907-03061	4	54	129907-59720	13	35	158552-51570	11	54
129900-77120	15	24 A	129907-03070	4	55	129908-14581	7	3 -1	158552-51571	11	54 -1
129900-77130	15	24 D	129907-07900	4	1	129908-77000	18	1	158552-51580	11	58
129900-77140	15	24 E	129907-11100	4	12	129910-07900	4	2	158552-51670	11	125
129900-77150	15	24 H	129907-11110	4	13	129915-01610	3	2	158552-51781	11	96
129900-77160	15	24 J	129907-11120	4	14	129916-01790	3	5	158552-52100	11	102
129900-77170	15	24 M	129907-11250	4	33	129916-01800	2	3	158552-52310	11	104
129900-77180	15	24 N	129907-11260	4	34	129916-21610	8	7	158552-52311	11	104 -1
129900-77190	15	24 P	129907-11270	4	35	129916-44740	10	16	158552-52400	11	105
129900-77270	15	24 R	129907-11310	4	61	129916-49530	10	22	158552-52500	11	103
129900-77280	15	25 A		17	15	129916-59020	11	127	158552-61900	12	74
129900-77290	15	25 B	129907-11320	4	52	129920-21580	8	12	158553-51551	11	51
129900-77380	15	25 C	129907-11321	4	52 -1	129927-42140	2	21 A	158553-51630	11	69
129900-77390	15	25 D	129907-11341	4	32	129928-51900	11	3 F	158553-51640	11	71
129900-77400	15	2	129907-11510	4	18	129930-13201	6	7	158553-51660	11	73
129900-77420	15	25 E	129907-11650	4	37			7 -1	158553-51670	11	63
129900-77430	15	25 F	129907-11660	4	41		17	20	158553-51680	11	74
129900-77440	15	5	129907-11700	4	5			20 -1	158553-51930	11	100 -1
129900-77450	15	7	129907-11800	4	25	129933-11310	4	61 -1	158557-51570	11	55
		9	129907-11910	4	28		17	15 -1	158560-51600	11	68
		24 F	129907-11920	4	45	129937-53000	13	2	158560-61050	12	2
		24 L	129907-11950	4	29	129937-61440	12	25	158560-61071	12	3
129900-77460	15	11	129907-12110	5	1	129940-42320	10	14	158560-61430	12	24
129900-77480	15	8		17	16	129940-44500	10	48	158563-51150	7	17
129900-77510	15	17	129907-13200	6	1	129944-12110	5	2	158563-51281	11	19
129900-77520	15	20	129907-13201	6	1 -1	129944-12111	5	2 -1		20	
129900-77540	15	18	129907-14400	7	2	129944-12240	5	5	158563-51330	11	29
129900-77550	15	19	129907-14581	7	3	129944-12630	5	12	158600-51270	11	18
129900-77591	15	12	129907-21650	8	9	129946-12510	5	6	158601-51550	11	52
129900-77610	15	23	129907-22050	8	17	129946-61061	12	86	158601-51570	11	56
129900-77620	15	13	129907-22051	8	17 -1	129950-59221	14	10	158601-51650	11	72
129900-77640	15	15	129907-22090	8	15	129951-01740	2	5 -1	158601-51770	11	95
129900-77650	15	14	129907-25900	7	16	129953-25300	7	15	158601-51790	11	97
129900-77700	15	16	129907-39061	9	14	129953-34830	9	2	170032-67110	16	23
129900-77710	15	24	129907-42000	10	1	129953-35000	9	6		36	
129902-21000	8	1	129907-42001	10	1 -1	129957-59120	14	6	170038-91310	16	34
129906-51580	11	57	129907-42002	10	1 -2	129960-21640	8	8	171008-77410	15	24 B
129906-55700	14	22	129907-44560	10	60	129960-21930	8	10 -1	171008-77420	15	24 C
129906-55711	14	22 -1	129907-44600	10	51	129960-21940	8	8 -1	171008-77450	15	6
129906-59810	13	37	129907-44610	10	52	129972-77330	16	19		24 G	
129906-59820	13	38	129907-49610	10	40	129972-77341	16	20	171008-77670	15	24 S
129906-59830	13	39	129907-49620	10	44	129980-59510	14	11	171008-77730	15	21
129906-59840	13	40	129907-49710	10	41	129981-49050	10	65	171008-77740	15	22
129907-01190	1	29	129907-49720	10	45	129981-49062	10	66	171008-77750	15	25
129907-01331	1	28	129907-49730	10	25	129981-59010	14	8	171051-01921	1	5

Parts No. Index

Parts No.	Fig. No.	Ref. No.
171440-77801	16	26
172437-03391	10	47
183001-91300	16	35
22190-080002	9	19
		21
		23
	14	20
	17	24
22190-120002	11	98
		107
		108
22190-160002	12	78
22190-180002	11	99
		109
22190-220002	3	9
	17	9
22217-180000	11	110
22252-000300	8	22
22272-000070	11	136
		138
22312-050140	11	111
22351-050010	11	112
22351-060012	1	10
22512-070140	7	7
	8	6
22857-500100	4	63
		64
23000-048000	10	76
23000-060000	10	75 -1
23000-080000	5	13
23010-060000	10	75
23061-070230	10	58
23414-080000	10	32
	17	29
23857-030000	9	20
23857-060000	11	113
23875-030000	10	28
23876-020000	4	9
23876-030000	1	11
		12
		13
	4	10
23887-120002	11	100
23887-160002	12	81
24104-062010	16	11
24311-000070	2	24
	11	114
	17	5
24311-000120	4	30
		66

Parts No.	Fig. No.	Ref. No.
24311-000120	17	14
24311-000160	14	26
24311-000320	2	34
	4	67
	17	7
24321-000650	14	25
24341-000530	8	10
	17	23
24351-030750	2	25
	17	6
24356-010200	11	66
		115
24356-020210	11	116
24356-190200	11	66 -1
		115 -1
24356-240210	11	116 -1
24372-000150	11	67
26013-080222	5	14
26014-060122	10	53
26014-080252	16	21 -1
26014-080352	10	18
26106-060102	11	117
	12	64
		65
26106-060122	10	29
26106-060142	12	82
26106-060162	13	41
26106-060202	10	30
26106-060252	12	83
26106-060302	10	12
26106-060352	11	118
26106-060402	12	84
26106-080122	3	10
	9	11
		22
		24
	10	33
26106-080142	7	8 -1
26106-080162	2	26
		27
		37
		40
	4	3
	7	8
	9	12
	11	131
26106-080182	13	42
26106-080202	2	26 -1
		28
	5	15

Parts No.	Fig. No.	Ref. No.
26106-080222	11	132
		133
	16	21
26106-080302	14	3
26106-080402	2	29
		30
	4	47
	5	20
26106-080452	2	30 -1
		31
	5	3
26106-080552	7	14
	10	13
26106-080602	4	48
		49
	10	34
26106-080702	2	22 -1
		23 -1
26106-080752	2	23 -2
26106-080802	5	4
26106-080902	5	21
26106-100162	3	12
		14
26106-100202	11	134
26106-120252	15	26 -1
	18	2
26116-120302	15	26
26206-100352	3	4
26216-100302	2	19
26226-080222	4	46
26306-080002	4	50
	6	6
26306-100002	2	32
	16	17
26450-100452	11	121
26756-060002	12	66
26776-180002	11	122
27241-300000	1	14
27241-400000	4	11
27310-070001	4	23
28110-100120	17	38
28110-140170	17	39
28110-190220	17	40
28210-000140	17	41
721400-92102	17	35
729900-02801	1	30
729907-01559	2	1
729907-01560	1	1
729907-22910	8	32
729907-22950	8	34

Parts No.	Fig. No.	Ref. No.
729946-51390	11	1
729946-53300	13	1
729946-92630	17	1
X2114155110	15	3
X2114255110	15	4
X2114955020	15	24 Q
X2130631300	15	10
		24 K
X2A07075KB	16	4
X2A10592KA	16	3
X3A02982KC	16	5
X3A08863KA	16	15
X4A10092KA	16	6
XM069000000	16	8
XM219230000	16	13
XM771860000	16	9
XM771870000	16	16
XM860250000	16	14
XM863720000	16	12
XYSPS400800	16	7