

0CD10-M88800EN

Directions for the Parts Catalog.

1. This Parts Catalog shows both standard and optional parts.
2. Parts may change without prior notice.
3. The following is an example of the Parts Catalog format.

OCF10-G21601 29. FUEL INJECTION PUMP(W/BOOST)

REF.	LEV.	PARTS NO.	DESCRIPTION	Q'TY						I	R
				(A)	(B)	(C)	(D)	(E)	(F)		
1	1	729595-51390	FUEL INJECTION PUMP	1	1	1	1	1			1
1-1	1	729595-51391	FUEL INJECTION PUMP	1	1	1	1	1		N	1
		(A=E00185) (B=E00200)									
3	2	26022-060162	SCREW M 6X 16	9	9	9	9	9			
3-1	2	26022-060162	SCREW M 6X 16	4	4	4	4	4		K	
		(A=E00156) (B=E00156) (C=E00156) (D=E00156) (E=E00156)									
4	2	129470-51040	CAMSHAFT	1	1	1	1	1			
5	2	122710-51050	BEARING, ROLLER	2	2	2	2	2			
6	2	129470-51060	RETAINER	1	1	1	1	1			

Remarks

(1) BOOST COMPEMSATOR TYPE. OPTIONAL PART, TO E00155,(4JH-DT, 4JH-DTZ

① Ref. No.

The Ref. No. listed may not be in accordance with the illustration Ref. No.

(Ex.) Illustration No.

List Ref No.

1 1 (Before change) → 1-1 (After change)

For interchangeable symbols N, R and K, illustrations for new parts may be abbreviated.

② Lev. (Level)

Level indication

The numbers below indicate the level of relativity towards the main part.

1 ---- Main parts (Assembly parts)

2 ---- Sub component included in " 1 ".

3 ---- Sub component included in " 2 ".

Note) Parts that are not for sale are partially illustrated but not listed.

③ Interchangeability Symbol

When a part change takes place, one of the following interchangeability symbols is indicated beside the part.

Symbol	Interchangeability	Contents note
N	Old $\begin{matrix} \leftarrow \text{Yes} \\ \text{No} \rightarrow \end{matrix}$ New	New Part is interchangeable for Old Part but Old Part is not interchangeable for New Part.
Q	Old $\begin{matrix} \leftarrow \text{No} \\ \text{Yes} \rightarrow \end{matrix}$ New	New Part is not interchangeable for Old Part but Old Part is interchangeable for New Part.
R	Old $\begin{matrix} \leftarrow \text{Yes} \\ \text{Yes} \rightarrow \end{matrix}$ New	New/ Old Parts are both interchangeable.
S	Old $\begin{matrix} \leftarrow \text{No} \\ \text{No} \rightarrow \end{matrix}$ New	New/ Old Parts are both not interchangeable.
W		Part newly added.
Z		Part discontinued.
F		Not interchangeable by a single part but interchangeable together with related parts.
K		Changes only for used parts quantities.

④ Effective Machine No.

When a part changes, the effective Machine No. will be indicated in the (A)-(F) column.

Product Symbol	Product No.	Product Symbol	Product No.
C	Clutch No. Compressor No.	F	Machine No. (Agricultural Equip.)
D	Drive No.	M	Machine No.
E	Engine No.		

Note 1) A date may follow the symbol. (Ex.) 1996.01

Note 2) "XXXXX" and "ZZZZZ" are for parts that could not be predicted or for engine models that could not be identified.

Note 3) (A=E00185) is the E (Engine Serial Number) for the column (A) model (in this case 4JH-DT) after the parts design change.

⑤ Remarks

Figures or alphabets (symbols) are entered in the remarks column.

The comments (remarks) on parts that are indicated at the bottom of the illustration are the same symbols as those stated above.

Contents

0CD10-M88800

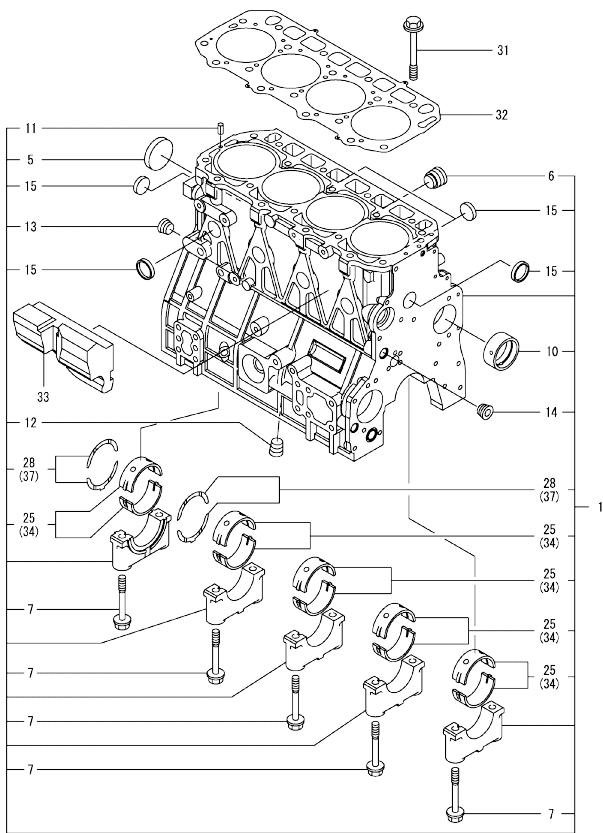
Fig. No.	Fig. Name	Fig. No.	Fig. Name
ENGINE SECTION			
1.	CYLINDER BLOCK		
2.	GEAR HOUSING		
3.	FLYWHEEL HOUSING & OIL SUMP		
4.	CYLINDER HEAD & BONNET		
5.	SUCTION MANIFOLD		
6.	EXHAUST MANIFOLD & SILENCER		
7.	CAMSHAFT & DRIVING GEAR		
8.	CRANKSHAFT & PISTON		
9.	LUB.OIL SYSTEM		
10.	COOLING WATER SYSTEM		
11.	FUEL INJECTION PUMP		
12.	GOVERNOR		
13.	FUEL INJECTION VALVE		
14.	FUEL LINE		
15.	STARTING MOTOR		
16.	GENERATOR		
17.	GASKET SET & TOOLS		

OCD10-M88800 ENGINE SECTION
 Fig.1. CYLINDER BLOCK

OCD10-M88800 Fig.1

(A)=4TNV98-STB1
 (B)=
 (C)=

(D)=
 (E)=
 (F)=



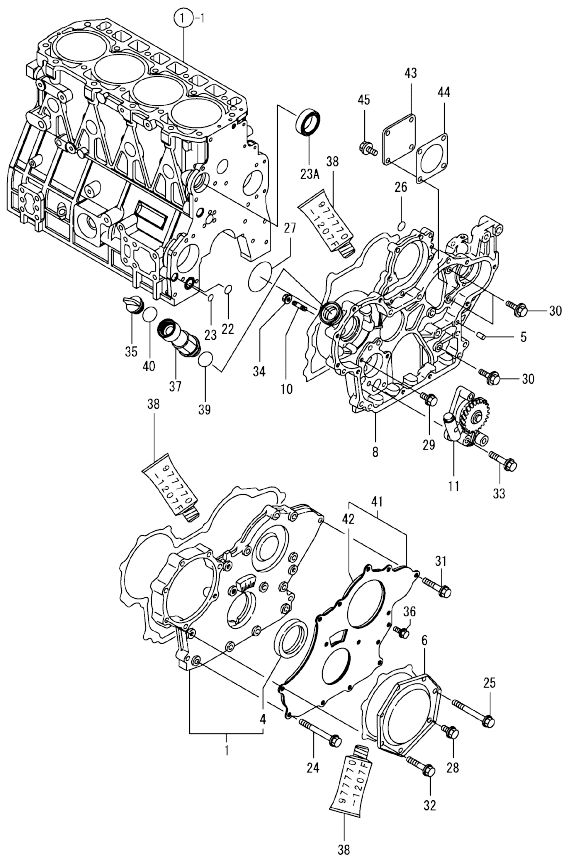
No.	Lev.	Parts No.	Description	Q'ty						I	R
				(A)	(B)	(C)	(D)	(E)	(F)		
1	1	729907-01560	BLOCK ASSY, CYLINDER	1							
5	2	129900-01250	PLUG, DISH TYPE 55	1							
6	2	171051-01921	PLUG, NPTF1	1							
7	2	129900-02020	BOLT, METAL CAP	10							
10	2	129900-02410	BUSH, CAMSHAFT	1							
11	2	22351-060012	PIN, SPRING 6.0X12	2							
12	2	23876-030000	PLUG, R03	1							
13	2	23876-030000	PLUG, R03	1							
14	2	23876-030000	PLUG, R03	1							
15	2	27241-300000	PLUG 30	8							
25	2	729900-02800	BEARING, MAIN	5							3
28	2	129900-02930	BEARING ASSY, THRUST	2							
31	1	129900-01200	BOLT, CYLINDER HEAD	18							
32	1	129907-01331	GASKET, HEAD	1							
33	1	129907-01190	SPACER	1							
34	1	129900-02340	BEARING ASSY, MAIN	5							1
37	1	129900-02940	BEARING, THRUST 0.25	2							2

Remarks
 (1) UNDER-SIZE(U.S=0.25)PART.
 (2) OVER-SIZE(O.S=0.25)PART.
 (3) REPAIR PART.

N:Old $\frac{100}{100}$ New, Q:Old $\frac{100}{100}$ New, R:Old $\frac{100}{100}$ New, S:Old $\frac{100}{100}$ New, W:Add, Z:Discontinued, F:Interchangeable by set, K:Q'ty Change
 Copyright (C) YANMAR GLOBAL CS CO., LTD. All Rights Reserved.

OCD10-M88800 ENGINE SECTION
 Fig.2. GEAR HOUSING

OCD10-M88800 Fig.2



(A)=4TNV98-STB1
 (B)=
 (C)=

(D)=
 (E)=
 (F)=

No.	Lev.	Parts No.	Description	Qty						I	R
				(A)	(B)	(C)	(D)	(E)	(F)		
1	1	729907-01559	COVER ASSY,GEAR CASE	1							
4	2	129916-01800	SEAL, OIL	1							
5	1	129100-01580	PIN, PARALLEL 8X16	4							
6	1	129900-01740	COVER	1							
8	1	129907-01500	CASE, GEAR	1							
10	1	26216-100302	STUD, M10X 30	4							
11	1	129900-32001	PUMP ASSY, OIL	1							
22	1	129900-32030	O-RING, P20	1							
23	1	129900-32040	O-RING, P14	1							
23A	1	129927-42140	GASKET, PUMP OUTLET	1							W
(A=2014.09)											
24	1	129001-91810	BOLT, M8X70	6							
25	1	129001-91810	BOLT, M8X70	1							
26	1	24311-000070	O-RING, 1AP7.0	1							
27	1	24351-030750	O-RING, 1A3075	1							
28	1	26106-080162	BOLT, M8X 16 PLATED	1							
29	1	26106-080162	BOLT, M8X 16 PLATED	1							
30	1	26106-080202	BOLT, M8X 20 PLATED	3							
31	1	26106-080402	BOLT, M8X 40 PLATED	5							
32	1	26106-080402	BOLT, M8X 40 PLATED	5							
33	1	26106-080452	BOLT, M8X 45 PLATED	3							
34	1	26306-100002	NUT, M10	4							
35	1	124160-01751	CAP, FILLER	1							
36	1	26106-080162	BOLT, M8X 16 PLATED	3							
37	1	171031-11741	PIPE	1							
38	1	977770-1207F	GASKET,LIQUID	1							1
39	1	24311-000320	O-RING, 1AP32.0	1							
40	1	24311-000320	O-RING, 1AP32.0	1							
41	1	129900-01850	COVER ASSY,GEAR CASE	1							
42	2	129900-01870	SPONGE, GEAR CASE	1							
43	1	124240-01871	COVER, PUMP	1							
44	1	124240-01883	GASKET	1							
45	1	26106-080162	BOLT, M8X 16 PLATED	4							

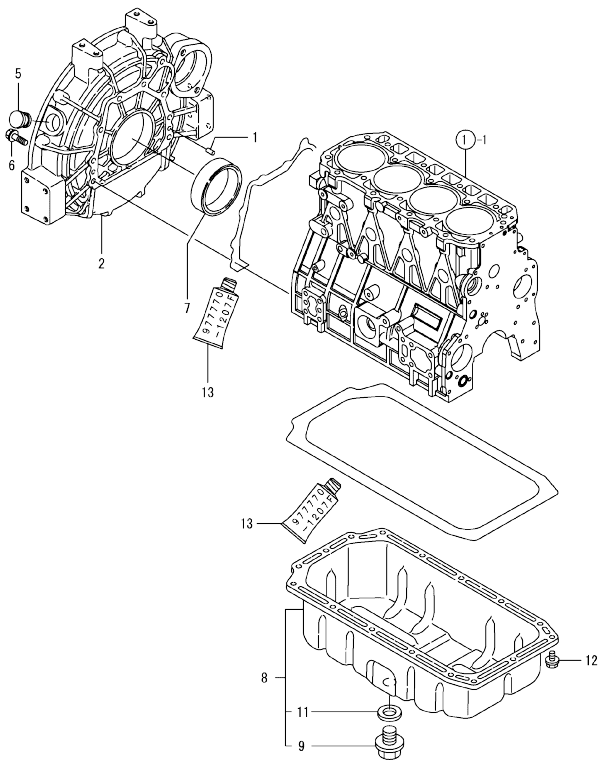
Remarks
 (1) OPTIONAL PART.

N:Old $\frac{100}{100}$ New, Q:Old $\frac{100}{100}$ New, R:Old $\frac{100}{100}$ New, S:Old $\frac{100}{100}$ New, W:Add, Z:Discontinued, F:Interchangeable by set, K:Qty Change
 Copyright (C) YANMAR GLOBAL CS CO., LTD. All Rights Reserved.

Fig.3. FLYWHEEL HOUSING & OIL SUMP

(A)=4TNV98-STB1
(B)=
(C)=

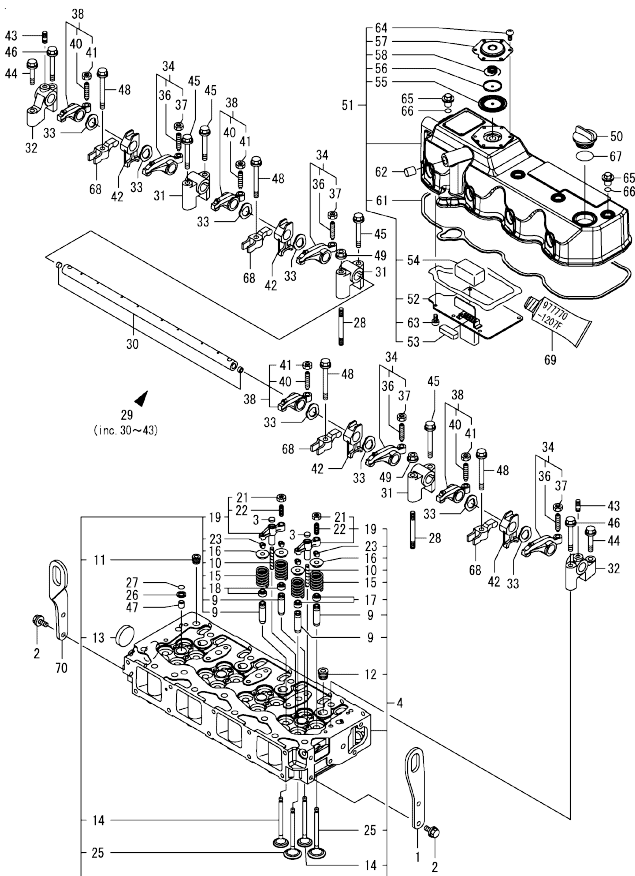
(D)=
(E)=
(F)=



No.	Lev.	Parts No.	Description	Q'ty						I	R
				(A)	(B)	(C)	(D)	(E)	(F)		
1	1	129100-01580	PIN, PARALLEL 8X16	2							
2	1	129951-01620	HOUSING, FLYWHEEL	1							
5	1	119000-01840	PLUG, RUBBER	1							
6	1	26206-100352	BOLT, M10X 35 PLATED	9							
7	1	124411-01780	SEAL, HTC95X115X12	1							
8	1	129953-01710	OIL PAN ASSY	1							
9	2	119640-01640	PLUG, DRAIN M22	1							
11	2	22190-220002	WASHER, SEAL 22	1							
12	1	26106-080122	BOLT, M8X 12 PLATED	16							
13	1	977770-1207F	GASKET,LIQUID	1							1

Remarks
(1) OPTIONAL PART.

Fig.4. CYLINDER HEAD & BONNET



(A)=4TNV98-STB1
(B)=
(C)=

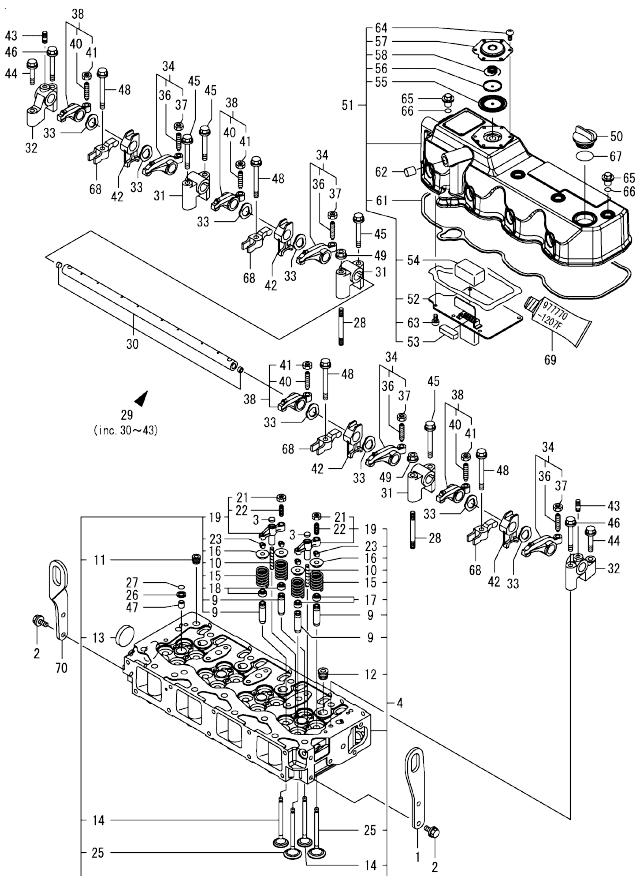
(D)=
(E)=
(F)=

No.	Lev.	Parts No.	Description	Q'ty						I	R
				(A)	(B)	(C)	(D)	(E)	(F)		
1	1	129907-07900	LIFTER, ENGINE	1							
2	1	26106-080162	BOLT, M8X 16 PLATED	4							
3	1	123907-11550	SEAT, VALVE BRIDGE	8							
4	1	129907-11700	HEAD ASSY, CYLINDER	1							1
9	2	129907-11800	GUIDE, VALVE	16							
10	2	123907-11820	GUIDE, BRIDGE	8							
11	2	23876-020000	PLUG, R02	1							
12	2	23876-030000	PLUG, R03	4							
13	2	27241-400000	PLUG, 40	1							
14	2	129907-11110	VALVE, EXHAUST	8							
15	2	129907-11120	SPRING, VALVE	16							
16	2	119620-11180	RETAINER, SPRING	16							
17	2	124160-11340	SEAL, VALVE STEM	8							
18	2	124950-11340	SEAL, VALVE STEM	8							
19	2	129907-11510	BRIDGE ASSY, VALVE	8							
21	3	129150-11750	NUT, M8	8							
22	3	123907-11830	ADJUSTER	8							
23	2	27310-070001	COTTER, 7	16							
25	2	129907-11100	VALVE, SUCTION	8							
26	1	119625-11880	SEAT, NOZZLE	4							
27	1	24311-000120	O-RING, 1AP12.0	4							
28	1	119593-11301	BOLT, STUD M8X80	2							
29	1	129907-11341	SHAFT ASSY, ROCKER	1							
30	2	129907-11250	SHAFT, ROCKER ARM	1							
31	2	129907-11260	SUPPORT, ROCKER ARM	3							
32	2	129907-11270	SUPPORT, ROCKER ARM	2							
33	2	123907-11280	WASHER	8							
34	2	129907-11650	ARM ASSY, ROCKER	4							
36	3	129150-11230	SCREW, VALVE ADJUST	4							
37	3	129150-11750	NUT, M8	4							
38	2	129907-11660	ARM ASSY, ROCKER	4							
40	3	129150-11230	SCREW, VALVE ADJUST	4							
41	3	129150-11750	NUT, M8	4							
42	2	129907-11920	RETAINER, NOZZLE	4							
43	2	26226-080222	STUD, M8X 22	2							
44	1	26106-080402	BOLT, M8X 40 PLATED	2							
45	1	26106-080602	BOLT, M8X 60 PLATED	4							
46	1	26106-080602	BOLT, M8X 60 PLATED	2							
47	1	119802-11870	PROTECTOR, NOZZLE	4							
48	1	129907-11950	BOLT, M8X75	4							
49	1	26306-080002	NUT, M8	2							
50	1	124160-01751	CAP, FILLER	1							
51	1	129907-11320	BONNET ASSY, HEAD	1							
52	2	129907-03011	PLATE, BAFFLE	1							
53	2	129907-03061	BAFFLE, BREATHER	1							
54	2	129907-03070	BAFFLE, BREATHER	1							
55	2	123907-03100	DIAPHRAGM	1							
56	2	123907-03110	PLATE	1							
57	2	123907-03120	PLATE, BREATHER	1							
58	2	123907-03140	SPRING, DIAPHRAGM	1							
61	2	129907-11310	GASKET, BONNET	1							

Remarks

- (1) REPAIR PART.
- (2) OPTIONAL PART.

Fig.4. CYLINDER HEAD & BONNET



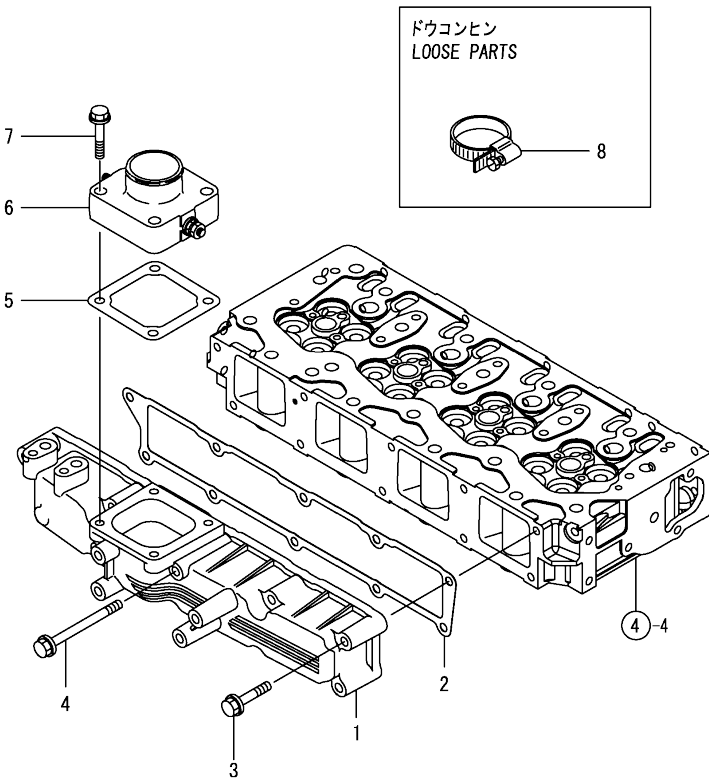
(A)=4TNV98-STB1
(B)=
(C)=

(D)=
(E)=
(F)=

No.	Lev.	Parts No.	Description	Q'ty						I	R
				(A)	(B)	(C)	(D)	(E)	(F)		
62	2	119640-61400	PLUG	1							
63	2	22857-500100	SCREW, 5X10	6							
64	2	22857-500100	SCREW, 5X10	6							
65	1	124160-11360	KNOB	4							
66	1	24311-000120	O-RING, 1AP12.0	4							
67	1	24311-000320	O-RING, 1AP32.0	1							
68	1	129907-11910	RETAINER, NOZZLE	4							
69	1	977770-1207F	GASKET LIQUID	1							2
70	1	129910-07900	LIFTER, ENGINE	1							

Remarks
(1) REPAIR PART.
(2) OPTIONAL PART.

Fig.5. SUCTION MANIFOLD



(A)=4TNV98-STB1
(B)=
(C)=

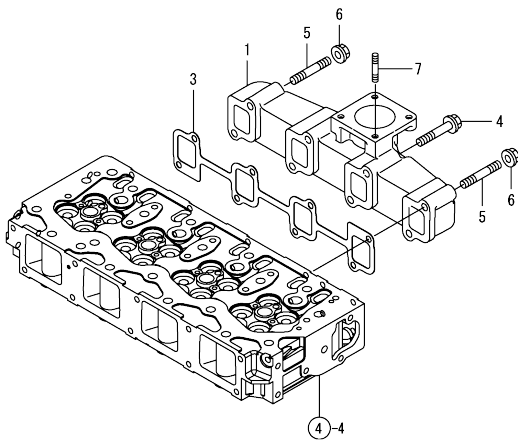
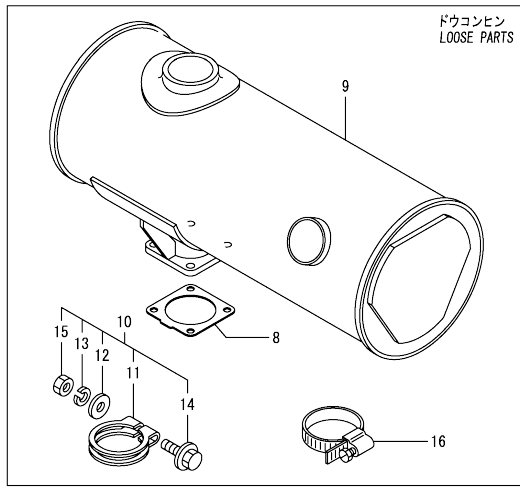
(D)=
(E)=
(F)=

No.	Lev.	Parts No.	Description	Q'ty						I	R
				(A)	(B)	(C)	(D)	(E)	(F)		
1	1	129907-12100	MANIFOLD, AIR INTAKE	1							
2	1	129907-12110	GASKET, MANIFOLD	1							
3	1	26106-080552	BOLT, M8X 55 PLATED	9							
4	1	26106-080852	BOLT, M8X 85 PLATED	1							
5	1	121850-77021	GASKET, AIR HEATER	1							
6	1	129915-77050	HEATER, AIR 12V	1							
7	1	26106-080352	BOLT, M8X 35 PLATED	4							
8	1	23000-080000	CLAMP, 80	3							

Fig.6. EXHAUST MANIFOLD & SILENCER

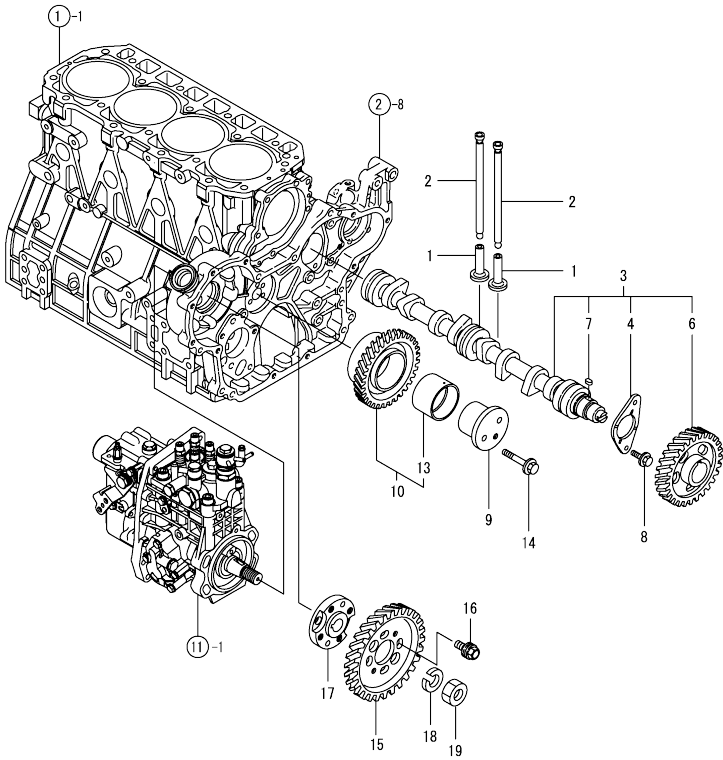
(A)=4TNV98-STB1
(B)=
(C)=

(D)=
(E)=
(F)=



No.	Lev.	Parts No.	Description	Q'ty						I	R
				(A)	(B)	(C)	(D)	(E)	(F)		
1	1	129900-13200	MANIFOLD, EXHAUST	1							
3	1	129900-13251	GASKET, EXH.MANIFOLD	1							
4	1	123900-13630	BOLT, M8X80	6							
5	1	123900-13610	BOLT, STUD M8X80	2							
6	1	26306-080002	NUT, M8	2							
7	1	119131-18320	BOLT, STUD M8X22	4							
8	1	129930-13201	GASKET, SILENCER	1							
9	1	129940-13500	SILENCER	1							
10	1	129640-13590	CLAMP ASSY	1							
11	2	129640-13580	CLAMP	1							
12	2	22117-100000	WASHER, 10	1							
13	2	22217-100000	WASHER, SPRING 10	1							
14	2	26106-100652	BOLT, M10X 65 PLATED	1							
15	2	26706-100002	NUT, M10	1							
16	1	23000-080000	CLAMP, 80	2							

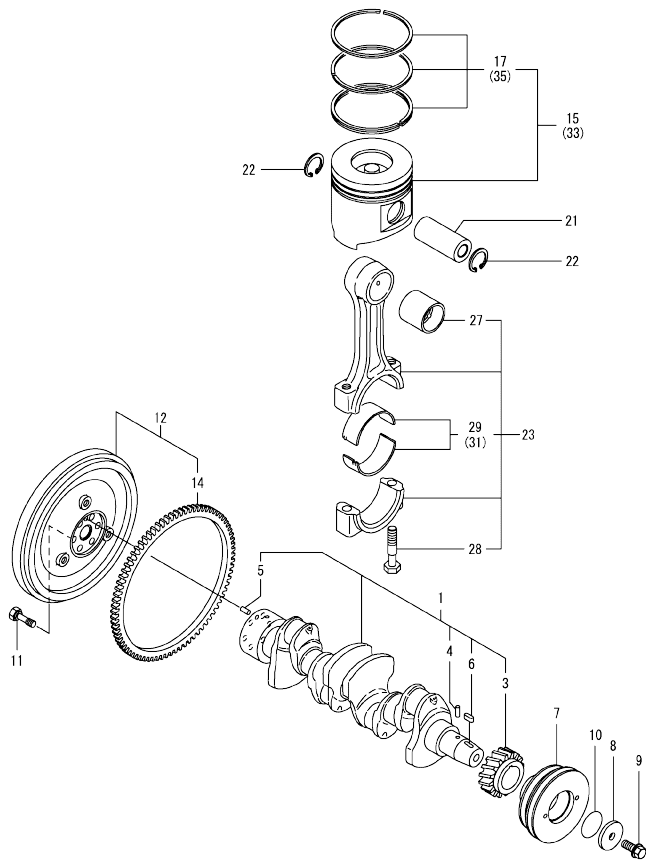
Fig.7. CAMSHAFT & DRIVING GEAR



No.	Lev.	Parts No.	Description	Q'ty						I	R
				(A)	(B)	(C)	(D)	(E)	(F)		
1	1	129150-14200	TAPPET	8							
2	1	129907-14400	PUSH-ROD	8							
3	1	129907-14581	CAMSHAFT ASSY	1							
3-1	1	129908-14581	CAMSHAFT ASSY	1							N
(A=EZZZZZ)											
4	2	129150-02450	BEARING, THRUST	1							
6	2	129900-14100	GEAR, CAMSHAFT	1							
7	2	22512-070140	KEY, 7X 14	1							
8	1	26106-080162	BOLT, M8X 16 PLATED	2							
9	1	123900-25060	SHAFT, IDLE GEAR	1							
10	1	129900-25100	GEAR ASSY, IDLE	1							
13	2	129150-25920	BUSH, IDLE GEAR	1							1
14	1	26106-080552	BOLT, M8X 55 PLATED	3							
15	1	129907-25900	GEAR, PUMP	1							
16	1	129953-25300	BOLT	4							
17	1	158563-51150	FLANGE	1							
18	1	22217-180000	WASHER, SPRING 18	1							
19	1	26776-180002	NUT, LOCK M18	1							

Remarks
(1) REPAIR PART.

Fig.8. CRANKSHAFT & PISTON



(A)=4TNV98-STB1
(B)=
(C)=

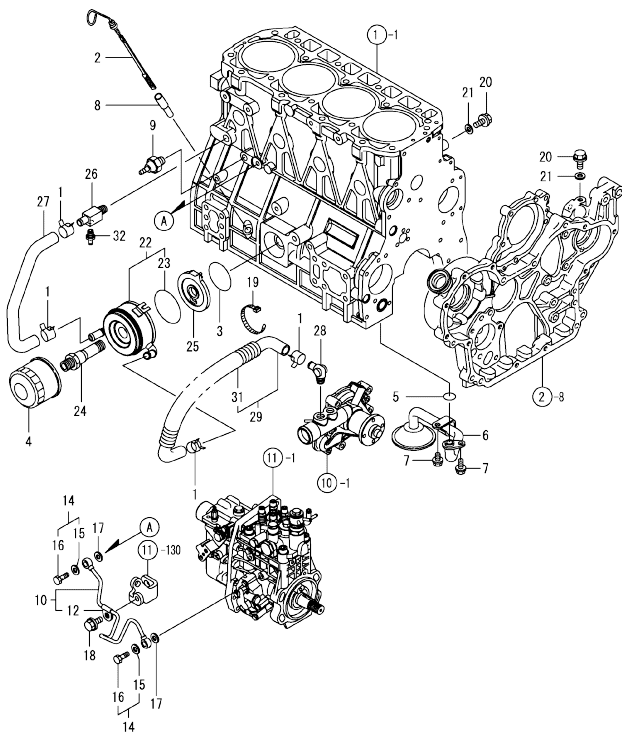
(D)=
(E)=
(F)=

No.	Lev.	Parts No.	Description	Q'ty						I	R
				(A)	(B)	(C)	(D)	(E)	(F)		
1	1	129902-21000	CRANKSHAFT ASSY	1							
3	2	129900-21200	GEAR, CRANKSHAFT	1							
4	2	121850-21290	PIN	1							
5	2	121850-21920	PIN, PARALLEL 10X22	1							
6	2	22512-070140	KEY, 7X 14	1							
7	1	129916-21680	V-PULLEY, CRANKSHAFT	1							
8	1	129960-21640	WASHER	1							
9	1	129916-21610	BOLT	1							
10	1	24341-000530	O-RING, 1AS53.0	1							
11	1	121850-21130	BOLT, FLYWHEEL	6							
12	1	129902-21580	FLYWHEEL ASSY	1							
14	2	127410-21480	GEAR, RING Z=129	1							
15	1	129907-22090	PISTON ASSY, 18.5	4							
17	2	129907-22050	RING SET, PISTON	4							
21	1	120130-22301	PIN, PISTON	4							
22	1	22252-000300	RING, 30	8							
23	1	129900-23001	ROD ASSY, CONNECTING	4							
27	2	129900-23911	BEARING, PISTON PIN	4							1
28	2	129900-23200	BOLT, CONNECTING ROD	8							
29	2	129900-23600	BEARING, CRANK PIN	4							
31	1	129900-23610	BEARING ASSY, 0.25US	4							2
33	1	729907-22910	PISTON ASSY, 0.25 OS	4							3
35	2	729907-22950	RING SET, 0.25 OS	4							3

Remarks
(1) REPAIR PART.
(2) UNDER-SIZE(U.S=0.25)PART.
(3) OVER-SIZE(O.S=0.25)PART.

OCD10-M88800 ENGINE SECTION
 Fig.9. LUB.OIL SYSTEM

OCD10-M88800 Fig.9



(A)=4TNV98-STB1
 (B)=
 (C)=

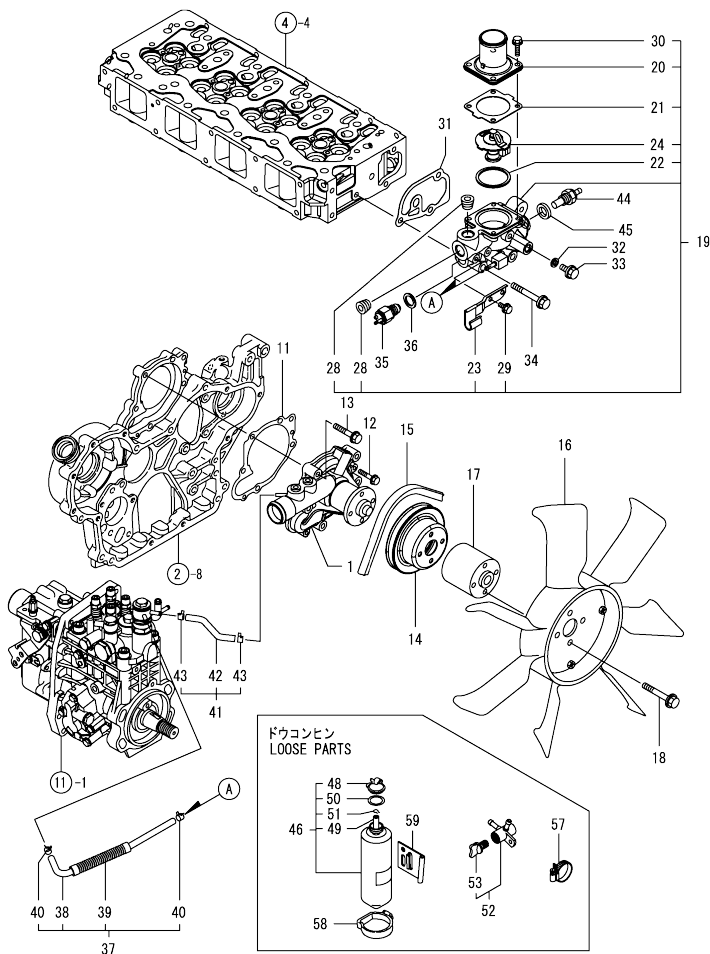
(D)=
 (E)=
 (F)=

No.	Lev.	Parts No.	Description	Q'ty						I	R	
				(A)	(B)	(C)	(D)	(E)	(F)			
1	1	23000-025000	CLAMP, 25									
2	1	129953-34800	DIPSTICK									
3	1	24321-000600	O-RING, 1AG60.0									
4	1	129150-35153	FILTER ASSY, D80X80L									1
5	1	129900-32030	O-RING, P20									
6	1	129900-35000	PIPE ASSY, OIL INLET									
7	1	26106-080122	BOLT, M8X 12 PLATED									
8	1	121520-34810	GUIDE, DIPSTICK									
9	1	114250-39450	SWITCH, HYDRAULIC									
10	1	129907-39061	PIPE ASSY, OIL									
12	2	123907-39500	RETAINER, PIPE									
14	1	129005-59830	BOLT ASSY, JOINT M8									
15	2	22190-080002	WASHER, SEAL 6									
16	2	23857-030000	BOLT, JOINT 3									
17	1	22190-080002	WASHER, SEAL 6									
18	1	26106-080122	BOLT, M8X 12 PLATED									
19	1	121750-59890	BAND, NYLON									
20	1	26106-080122	BOLT, M8X 12 PLATED									
21	1	22190-080002	WASHER, SEAL 6									
22	1	129908-33010	COOLER ASSY, OIL									
23	2	123912-33050	O-RING									
24	1	123912-33100	BOLT, COOLER									
25	1	129908-33101	BRACKET, OIL COOLER									
26	1	129006-44480	JOINT									
27	1	129908-49060	HOSE, WATER									
28	1	129466-49300	ELBOW, PT3/8									
29	1	123910-49600	HOSE ASSY, WATER									
31	2	123910-49610	TUBE, CORRUGATED									
32	1	121550-49111	JOINT, PT1/4									

Remarks
 (1) REPAIR PART.

N:Old $\frac{100}{100}$ New, Q:Old $\frac{100}{100}$ New, R:Old $\frac{100}{100}$ New, S:Old $\frac{100}{100}$ New, W:Add, Z:Discontinued, F:Interchangeable by set, K:Qty Change
 Copyright (C) YANMAR GLOBAL CS CO., LTD. All Rights Reserved.

Fig.10. COOLING WATER SYSTEM

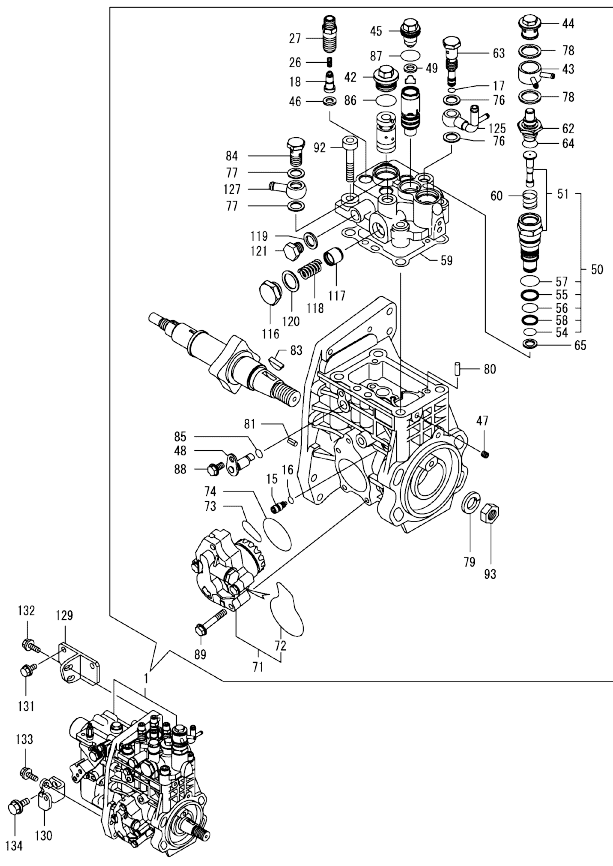


(A)=4TNV98-STB1
(B)=
(C)=

(D)=
(E)=
(F)=

No.	Lev.	Parts No.	Description	Q'ty						I	R
				(A)	(B)	(C)	(D)	(E)	(F)		
1	1	129907-42000	PUMP ASSY, WATER	1							
11	1	129900-42020	GASKET, WATER PUMP	1							
12	1	26106-060302	BOLT, M6X 30 PLATED	2							
13	1	26106-080552	BOLT, M8X 55 PLATED	5							
14	1	129900-42450	V-PULLEY, C.W.PUMP	1							
15	1	25152-004250	V-BELT, A42.5	1							
15-1	1	129940-42290	V-BELT, A42.5	1							N
(A=E23944)											
16	1	129981-44740	FAN, COOLING D=450	1							
17	1	129900-44760	SPACER, FAN	1							
18	1	26106-080852	BOLT, M8X 85 PLATED	4							
19	1	129946-49810	CASE ASSY, THERMOSTAT	1							
20	2	129916-49530	COVER, THERMOSTAT	1							
21	2	121850-49540	GASKET, THERMOSTAT	1							
22	2	121850-49550	GASKET, THERMOSTAT	1							
23	2	129907-49730	RETAINER, PIPE	1							
24	2	121850-49800	THERMOSTAT, 82C	1							
28	2	23875-030000	PLUG, R03	2							
29	2	26106-060122	BOLT, M6X 12 PLATED	1							
30	2	26106-060202	BOLT, M6X 20 PLATED	4							
31	1	129900-49870	GASKET, THERMOSTAT	1							
32	1	23414-080000	GASKET, 8X1.0	1							
33	1	26106-080122	BOLT, M8X 12 PLATED	1							
34	1	26106-080602	BOLT, M8X 60 PLATED	3							
35	1	121250-44901	SWITCH, THERMO 110	1							
36	1	124485-44950	GASKET, 16	1							
37	1	129907-49610	HOSE ASSY, WATER	1							
38	2	129907-49710	HOSE, WATER	1							
39	2	129907-49750	TUBE, CORRUGATED	1							
40	2	124722-59050	CLAMP, HOSE 9	2							
41	1	129907-49620	HOSE ASSY, WATER	1							
42	2	129907-49720	HOSE, WATER	1							
43	2	124722-59050	CLAMP, HOSE 9	2							
44	1	119266-49350	SENSOR, WATER TEMP.	1							
45	1	129150-49360	GASKET	1							
46	1	171064-44510	TANK ASSY, SUB	1							
48	2	121450-44531	CAP	1							
49	2	124450-44560	CLAMP, HOSE	1							
50	2	121470-44581	GASKET	1							
51	2	23065-070225	HOSE 7X 225	1							
52	1	129150-49100	COCK ASSY, 3-WAY	1							
53	2	129150-49080	COCK, DRAIN	1							
57	1	23000-054000	CLAMP, 54	4							
58	1	124450-44550	BAND, SUB-TANK	1							
59	1	121256-44600	BRACKET, SUB TANK	1							

Fig.11. FUEL INJECTION PUMP



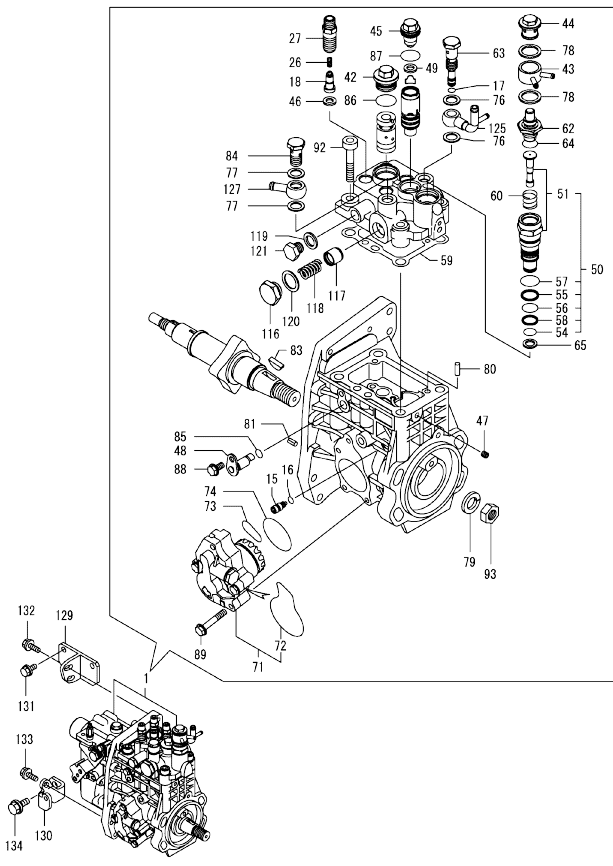
(A)=4TNV98-STB1
(B)=
(C)=

(D)=
(E)=
(F)=

No.	Lev.	Parts No.	Description	Q'ty						I	R	
				(A)	(B)	(C)	(D)	(E)	(F)			
1	1	729940-51410	PUMP ASSY, INJECTION	1							1	
15	2	158600-51270	STOPPER, TAPPET	1								
16	2	158563-51281	O-RING, 4D S6	1								
17	2	158563-51281	O-RING, 4D S6	1								
18	2	158560-51300	VALVE ASSY, DELIVERY	4								
26	2	158563-51330	SPRING, DELIVERY	4								
27	2	129907-51340	HOLDER, DELIVERY	4								
42	2	158601-51550	PLUG, M22	1								
43	2	158553-51551	JOINT, COOLING WATER	1								
44	2	158601-51570	PLUG	1								
45	2	129907-51560	PLUG, M16	1								
46	2	158552-51570	GASKET, PLUG	4								
47	2	158557-51570	PLUG, RACK	1								
48	2	158552-51580	LIFTER, LINK	1								
49	2	129906-51580	GASKET, PLUG	1								
50	2	119802-51590	TIMER ASSY	1								
51	3	119802-51600	TIMER ASSY	1								
54	3	158553-51670	O-RING	1								
55	3	119802-51680	RING, BACKUP	1								
56	3	119802-51690	O-RING	1								
57	3	24356-010200	O-RING, 4D1020	1								
58	3	24372-000150	RING, BACK UP T2P15	1								
59	2	158560-51600	GASKET	1								
60	2	158553-51630	SPRING, TIMER	1								
62	2	158553-51640	THERMOELEMENT	1								
63	2	158601-51650	JOINT, OVER FLOW	1								
64	2	158553-51660	O-RING, P14	1								
65	2	158553-51680	GASKET, TIMER	1								
71	2	158552-52100	PUMP ASSY, FUEL FEED	1								
72	3	158552-52500	O-RING	1								
73	2	158552-52310	O-RING	1								
74	2	158552-52400	O-RING, 4E S42	1								
76	2	22190-120002	WASHER, SEAL 12	2								
77	2	22190-120002	WASHER, SEAL 12	2								
78	2	22190-180002	WASHER, SEAL 18	2								
79	2	22217-180000	WASHER, SPRING 18	1								
80	2	22312-050140	PIN, PARALLEL M5X14	2								
81	2	22351-050010	PIN, SPRING 5.0X10	2								
83	2	144626-51090	FEATHER KEY, 5X19	1								
84	2	23857-060000	BOLT, JOINT 6	1								
85	2	24311-000070	O-RING, 1AP7.0	1								
86	2	24356-010200	O-RING, 4D1020	1								
87	2	24356-020210	O-RING, 4D2021	1								
88	2	26106-060102	BOLT, M6X 10 PLATED	1								
89	2	26106-060352	BOLT, M6X 35 PLATED	4								
92	2	26450-100452	BOLT, M10X 45	4								
93	2	26776-180002	NUT, LOCK M18	1								
116	2	158601-51790	PLUG	1								
117	2	158601-51770	PISTON, ACCUMULATOR	1								
118	2	158552-51780	SPRING, ACCUMULATOR	1								
119	2	22190-120002	WASHER, SEAL 12	1								

Remarks
(1) GOVERNOR ASSY(FIG.12) IS
INCORPORATED IN THIS FOP.CMP
(REF.NO.1).

Fig.11. FUEL INJECTION PUMP



(A)=4TNV98-STB1
(B)=
(C)=

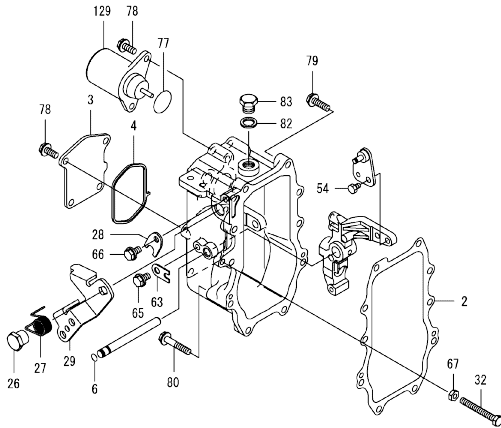
(D)=
(E)=
(F)=

No.	Lev.	Parts No.	Description	Q'ty						I	R
				(A)	(B)	(C)	(D)	(E)	(F)		
120	2	22190-180002	WASHER, SEAL 18	1							
121	2	23887-120002	PLUG, 12	1							
125	2	158552-51670	JOINT, OVER FLOW	1							
127	2	129916-59020	JOINT, PIPE 12	1							
129	1	129907-01950	RETAINER, PUMP	1							
130	1	129907-01960	RETAINER, PUMP	1							
131	1	26106-080162	BOLT, M8X 16 PLATED	2							
132	1	26106-080222	BOLT, M8X 22 PLATED	2							
133	1	26106-080222	BOLT, M8X 22 PLATED	1							
134	1	26106-100202	BOLT, M10X 20 PLATED	1							

Remarks
(1) GOVERNOR ASSY(FIG.12) IS
INCORPORATED IN THIS FOP.CMP
(REF.NO.1).

OCD10-M88800 ENGINE SECTION
 Fig.12. GOVERNOR

OCD10-M88800 Fig.12



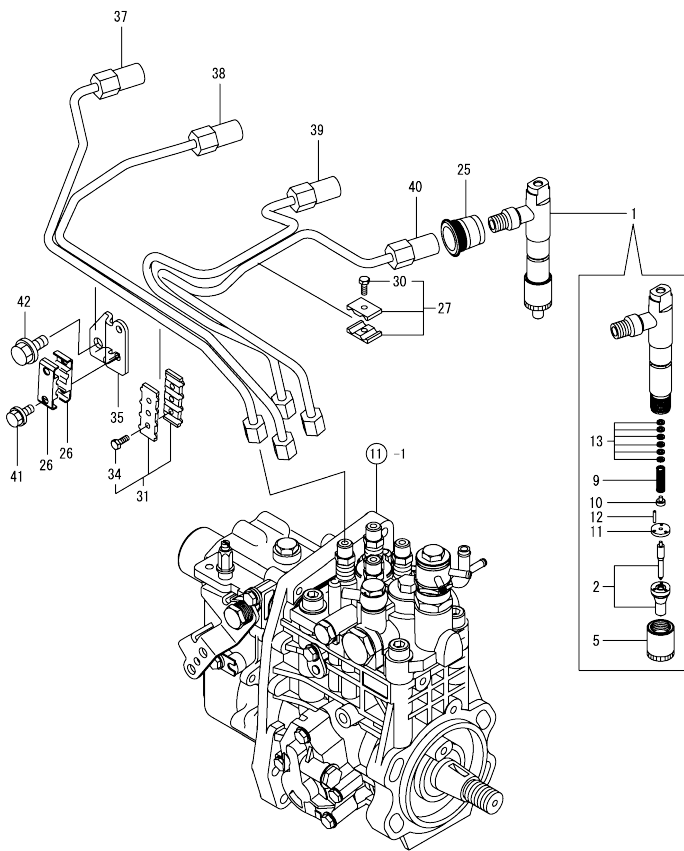
(A)=4TNV98-STB1
 (B)=
 (C)=

(D)=
 (E)=
 (F)=

No.	Lev.	Parts No.	Description	Q'ty						I	R
				(A)	(B)	(C)	(D)	(E)	(F)		
2	2	158560-61050	GASKET	1							
3	2	158560-61061	COVER, GOVERNOR CASE	1							
4	2	158560-61071	GASKET	1							
6	2	129155-51280	O-RING, S6	1							
26	2	129255-61410	NUT, M8	1							
27	2	119807-61420	SPRING, RETURN	1							
28	2	158560-61430	STOPPER, SHAFT	1							
29	2	158560-61442	LEVER, REGULATOR	1							
32	2	129155-61460	BOLT, LIMITING	1							
54	2	26116-060102	BOLT, M6X 10 PLATED	1							
63	2	119660-61901	STOPPER, SHAFT	1							
65	2	26106-060102	BOLT, M6X 10 PLATED	1							
66	2	26106-060102	BOLT, M6X 10 PLATED	1							
67	2	26756-060002	NUT, LOCK M6	1							
77	2	24341-000280	O-RING, 1AS28.0	1							
77-1	2	158552-61900	O-RING	1							N
		(A=EXXXXX)									
78	2	26106-060142	BOLT, M6X 14 PLATED	6							
79	2	26106-060252	BOLT, M6X 25 PLATED	8							
80	2	26106-060402	BOLT, M6X 40 PLATED	2							
82	2	22190-160002	WASHER, SEAL 16	1							
83	2	23887-160002	PLUG, 16	1							
129	2	119233-77932	SOLENOID, STOP	1							

Remarks
 * THIS FIGURE(GOVERNOR ASSY)IS
 INCORPORATED IN THE FUEL INJECTION
 PUMP ASSY(FIG.11).

Fig.13. FUEL INJECTION VALVE

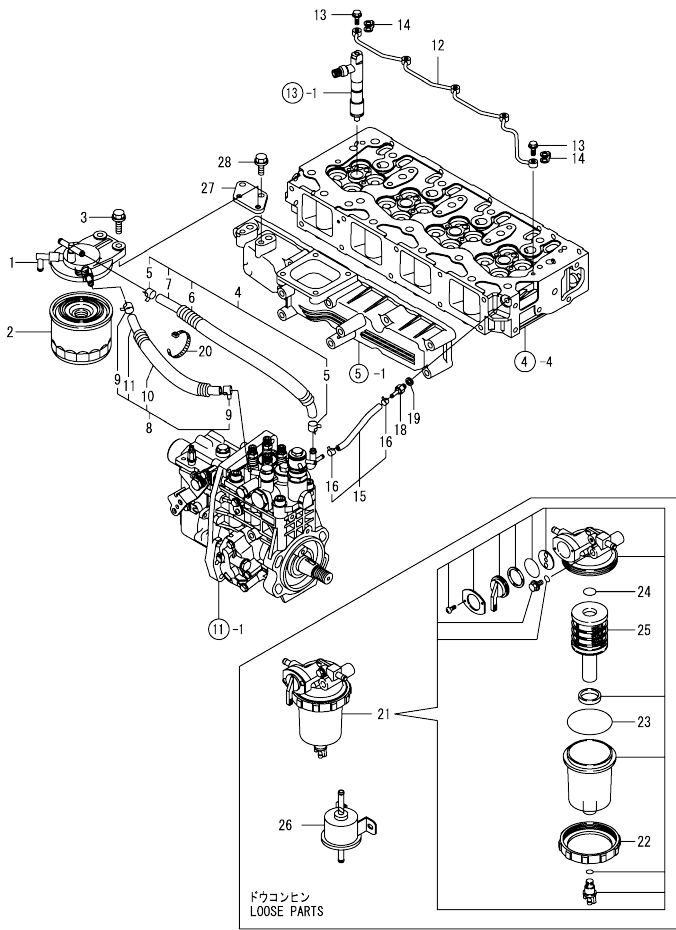


(A)=4TNV98-STB1
(B)=
(C)=

(D)=
(E)=
(F)=

No.	Lev.	Parts No.	Description	Q'ty						I	R
				(A)	(B)	(C)	(D)	(E)	(F)		
1	1	729907-53100	FUEL INJECTOR ASSY	4							
2	2	129907-53000	NOZZLE ASSY, F.I.	4							
5	2	114250-53080	NUT, NOZZLE	4							
9	2	114250-53120	SPRING, NOZZLE	4							
10	2	114250-53130	SEAT, SPRING	4							
11	2	114250-53140	SPACER	4							
12	2	114250-53210	PIN	8							
13	2	114250-53400	SHIM SET	4							
25	1	123907-11601	SEAL, PIPE	4							
26	1	122780-59100	RETAINER	2							
27	1	119305-59120	RETAINER, PIPE	1							
30	2	129150-59131	BOLT, M4X14	1							
31	1	129550-59120	RETAINER, PIPE	1							
34	2	129150-59131	BOLT, M4X14	2							
35	1	129907-59710	SUPPORT	1							
37	1	129907-59810	PIPE ASSY, INJECTION	1							
38	1	129907-59820	PIPE ASSY, INJECTION	1							
39	1	129907-59830	PIPE ASSY, INJECTION	1							
40	1	129907-59840	PIPE ASSY, INJECTION	1							
41	1	26106-060162	BOLT, M6X 16 PLATED	2							
42	1	26106-080182	BOLT, M8X 18 PLATED	1							

Fig.14. FUEL LINE



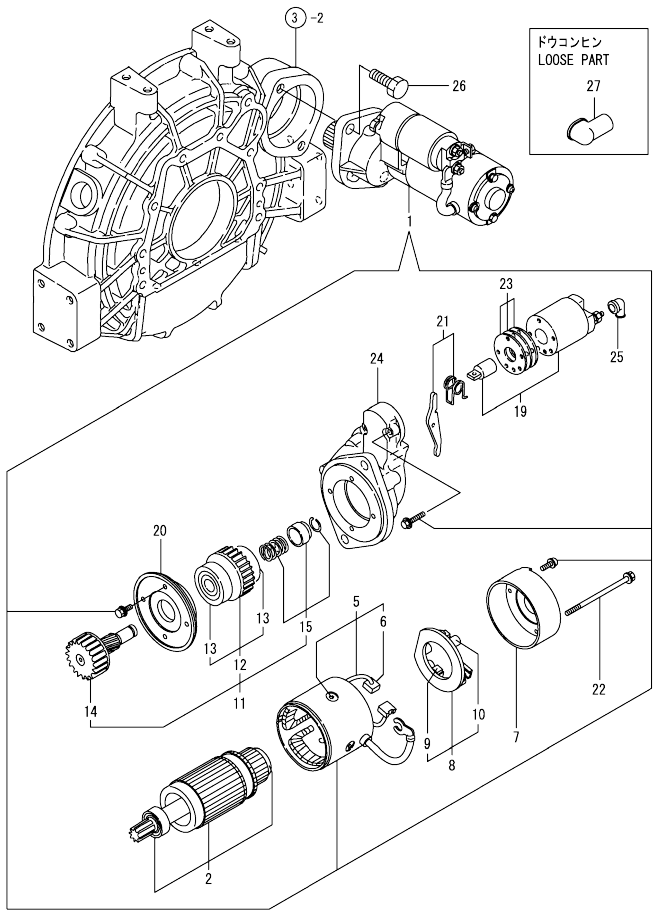
(A)=4TNV98-STB1
(B)=
(C)=

(D)=
(E)=
(F)=

No.	Lev.	Parts No.	Description	Q'ty						I	R
				(A)	(B)	(C)	(D)	(E)	(F)		
1	1	129004-55611	BRACKET, FILTER	1							
2	1	119802-55800	FILTER, FUEL	1							
3	1	26106-080302	BOLT, M8X 30 PLATED	2							
4	1	129457-59010	HOSE ASSY, FUEL	1							
5	2	124766-59050	CLAMP, HOSE 11.5	2							
6	2	129957-59120	TUBE, CORRUGATED 15	1							
7	2	105025-59750	HOSE, FUEL	1							
8	1	129981-59010	HOSE ASSY, FUEL	1							
9	2	124766-59050	CLAMP, HOSE 11.5	2							
10	2	129950-59221	TUBE, CORRUGATED 15	1							
11	2	129980-59510	HOSE, FUEL	1							
12	1	129907-59140	PIPE ASSY, RETURN	1							
13	1	123907-59540	BOLT, PIPE JOINT M6	5							
14	1	123907-59550	GASKET	5							
15	1	129486-59551	HOSE ASSY, RETURN	1							
16	2	124722-59050	CLAMP, HOSE 9	2							
18	1	123907-59560	JOINT, HOSE	1							
19	1	22190-080002	WASHER, SEAL 6	1							
20	1	121750-59890	BAND, NYLON	1							
21	1	129906-55700	SEPARATOR ASSY,WATER	1							
22	2	129100-55690	RING, CUP RETAINING	1							
23	2	24321-000650	O-RING, 1AG65.0	1							
24	2	24311-000160	O-RING, 1AP16.0	1							
25	2	119802-55710	ELEMENT	1							
26	1	129612-52100	PUMP, FUEL FEED	1							
27	1	129940-55650	BRACKET, FILTER	1							
28	1	26106-080222	BOLT, M8X 22 PLATED	2							

N:Old $\frac{100}{100}$ New, Q:Old $\frac{100}{100}$ New, R:Old $\frac{100}{100}$ New, S:Old $\frac{100}{100}$ New, W:Add, Z:Discontinued, F:Interchangeable by set, K:Q'ty Change
Copyright (C) YANMAR GLOBAL CS CO., LTD. All Rights Reserved.

Fig.15. STARTING MOTOR

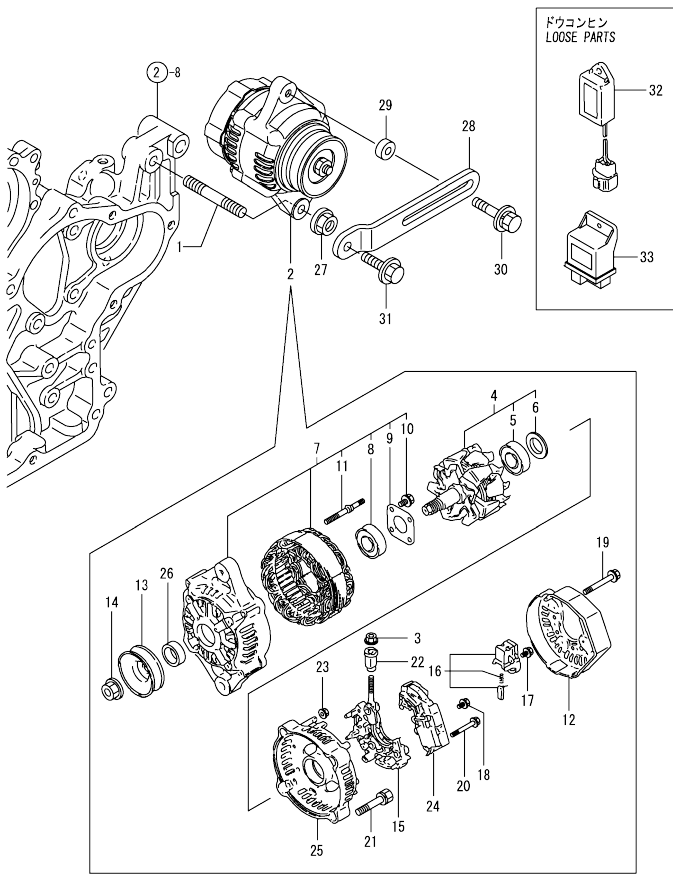


(A)=4TNV98-STB1
(B)=
(C)=

(D)=
(E)=
(F)=

No.	Lev.	Parts No.	Description	Q'ty						I	R
				(A)	(B)	(C)	(D)	(E)	(F)		
1	1	123900-77010	STARTER ASSY	1							
2	2	123900-77400	ARMATURE ASSY	1							
5	2	123900-77440	COIL ASSY, FIELD	1							
6	3	123900-77450	BRUSH	2							
7	2	123900-77460	COVER	1							
8	2	123900-77480	HOLDER ASSY, BRUSH	1							
9	3	123900-77450	BRUSH	2							
10	3	121254-77590	SPRING, BRUSH	4							
11	2	123900-77510	PINION ASSY	1							
12	3	123900-77520	CLUTCH ASSY	1							
13	4	X2240610100	BEARING, BALL	2							
14	3	123900-77540	SHAFT, PINION	1							
15	3	119131-77550	STOPPER SET, PINION	1							
19	2	129900-77591	SWITCH ASSY, MAGNET	1							
20	2	123900-77610	RETAINER, BEARING	1							
21	2	129900-77620	LEVER SET	1							
22	2	123900-77640	BOLT, THROUGH	2							
23	2	123900-77650	COVER KIT, DUST	1							
24	2	123900-77710	CASE, GEAR	1							
25	2	171008-77750	COVER, TERMINAL	1							
26	1	26116-120252	BOLT, M12X 25 PLATED	2							
27	1	124550-77030	COVER, TERMINAL	1							

Fig.16. GENERATOR

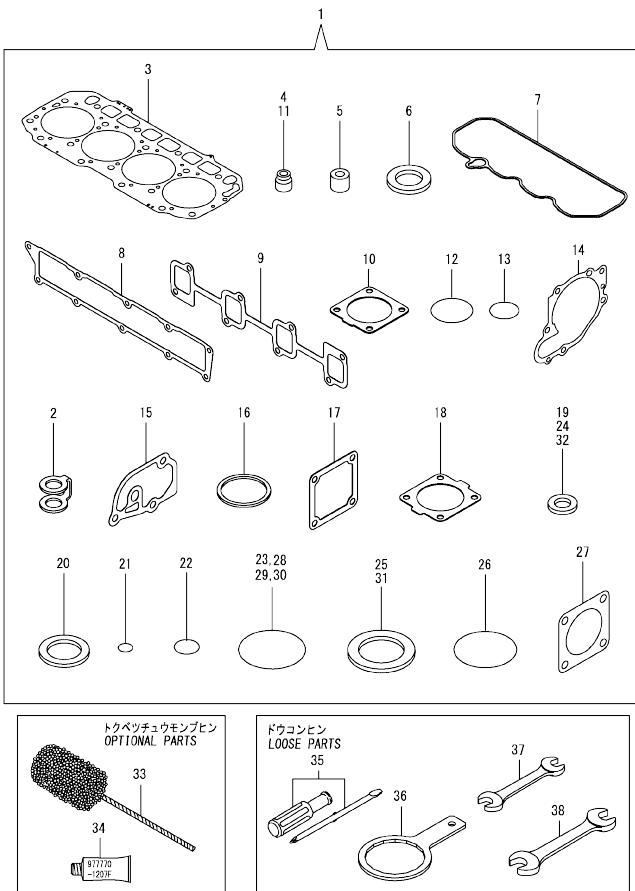


(A)=4TNV98-STB1
(B)=
(C)=

(D)=
(E)=
(F)=

No.	Lev.	Parts No.	Description	Q'ty						I	R
				(A)	(B)	(C)	(D)	(E)	(F)		
1	1	129795-01900	BOLT, STUD M10X33	1							
2	1	119626-77210	ALTERNATOR, 12V-55A	1							
3	2	X9490561001	NUT	1							
4	2	129052-77380	ROTOR ASSY	1							
5	3	123501-79240	BEARING, BALL	1							
6	3	119620-79250	COVER, BEARING	1							
7	2	129052-77422	FRAME ASSY	1							
8	3	119620-79200	BEARING, BALL	1							
9	3	119620-79210	RETAINER	1							
10	3	119620-79220	SCREW	4							
11	3	119620-79230	BOLT, STUD	2							
12	2	128401-77440	COVER	1							
13	2	119620-77461	PULLEY, GENERATOR	1							
14	2	119620-77471	NUT	1							
15	2	129052-79260	HOLDER	1							
16	2	129052-79270	HOLDER, BRUSH	1							
17	2	119620-79290	SCREW	6							
18	2	119620-79300	SCREW	1							
19	2	119620-79310	BOLT	3							
20	2	119620-79320	SCREW	2							
21	2	119620-79330	BOLT	2							
22	2	119620-79340	BUSH, INSULATION	1							
23	2	119620-79350	NUT	2							
24	2	129423-77710	REGULATOR ASSY	1							
25	2	119626-79410	FRAME	1							
25-1	2	119626-77450	FRAME	1							N
(A=FROM 1ST)											
26	2	119620-77490	COLLAR	1							
27	1	26306-100002	NUT, M10	1							
28	1	129940-77320	ADJUSTER	1							
29	1	119940-77270	SPACER	1							
30	1	129972-77341	BOLT, ADJUST L=50	1							
31	1	26106-080222	BOLT, M8X 22 PLATED	1							
32	1	129211-77920	TIMER	1							
33	1	119802-77200	RELAY, SAFETY	1							

Fig.17. GASKET SET & TOOLS



(A)=4TNV98-STB1
(B)=
(C)=

(D)=
(E)=
(F)=

No.	Lev.	Parts No.	Description	Qty						I	R	
				(A)	(B)	(C)	(D)	(E)	(F)			
1	1	729907-92930	GASKET SET	1							1	
2	2	123907-59550	GASKET	5								
3	2	129907-01331	GASKET, HEAD	1								
4	2	124160-11340	SEAL, VALVE STEM	8								
5	2	119802-11870	PROTECTOR, NOZZLE	4								
6	2	119625-11880	SEAT, NOZZLE	4								
7	2	129907-11310	GASKET, BONNET	1								
8	2	129907-12110	GASKET, MANIFOLD	1								
9	2	129900-13251	GASKET, EXH.MANIFOLD	1								
10	2	129930-13201	GASKET, SILENCER	1								
11	2	124950-11340	SEAL, VALVE STEM	8								
12	2	129900-32030	O-RING, P20	2								
13	2	129900-32040	O-RING, P14	1								
14	2	129900-42020	GASKET, WATER PUMP	1								
15	2	129900-49870	GASKET, THERMOSTAT	1								
16	2	121850-49550	GASKET, THERMOSTAT	1								
17	2	121850-77021	GASKET, AIR HEATER	1								
18	2	121850-49540	GASKET, THERMOSTAT	1								
19	2	23414-080000	GASKET, 8X1.0	1								
20	2	124465-44950	GASKET, 16	1								
21	2	24311-000070	O-RING, 1AP7.0	1								
22	2	24311-000120	O-RING, 1AP12.0	8								
23	2	24311-000320	O-RING, 1AP32.0	3								
24	2	22190-080002	WASHER, SEAL 6	7								
25	2	22190-220002	WASHER, SEAL 22	1								
26	2	24351-030750	O-RING, 1A3075	1								
27	2	124240-01883	GASKET	1								
28	2	24341-000530	O-RING, 1AS53.0	1								
29	2	24311-000300	O-RING, 1AP30.0	1								
30	2	24321-000600	O-RING, 1AG60.0	1								
31	2	22190-300002	WASHER, SEAL 30	1								
32	2	129150-49360	GASKET	1								
33	1	129400-92450	HONE, FLEX	1								1
34	1	977770-1207F	GASKET LIQUID	1								1
35	1	104200-92350	SCREW-DRIVER	1								
36	1	119640-92750	TOOL, FILTER WRENCH	1								
37	1	28110-100120	SPANNER, 10X12	1								
38	1	28110-140170	SPANNER, 14X17	1								

Remarks
(1) OPTIONAL PARTS.

Parts No. Index

Parts No.	Fig. No.	Ref. No.
129900-35000	9	6
129900-42020	10	11
	17	14
129900-42450	10	14
129900-44760	10	17
129900-49870	10	31
	17	15
129900-77591	15	19
129900-77620	15	21
129902-21000	8	1
129902-21580	8	12
129906-51580	11	49
129906-55700	14	21
129907-01190	1	33
129907-01331	1	32
	17	3
129907-01500	2	8
129907-01950	11	129
129907-01960	11	130
129907-03011	4	52
129907-03061	4	53
129907-03070	4	54
129907-07900	4	1
129907-11100	4	25
129907-11110	4	14
129907-11120	4	15
129907-11250	4	30
129907-11260	4	31
129907-11270	4	32
129907-11310	4	61
	17	7
129907-11320	4	51
129907-11341	4	29
129907-11510	4	19
129907-11650	4	34
129907-11660	4	38
129907-11700	4	4
129907-11800	4	9
129907-11910	4	68
129907-11920	4	42
129907-11950	4	48
129907-12100	5	1
129907-12110	5	2
	17	8
129907-14400	7	2
129907-14581	7	3
129907-22050	8	17
129907-22090	8	15
129907-25900	7	15
129907-39061	9	10

Parts No.	Fig. No.	Ref. No.
129907-42000	10	1
129907-49610	10	37
129907-49620	10	41
129907-49710	10	38
129907-49720	10	42
129907-49730	10	23
129907-49750	10	39
129907-51340	11	27
129907-51560	11	45
129907-53000	13	2
129907-59140	14	12
129907-59710	13	35
129907-59810	13	37
129907-59820	13	38
129907-59830	13	39
129907-59840	13	40
129908-14581	7	3 -1
129908-33010	9	22
129908-33101	9	25
129908-49060	9	27
129910-07900	4	70
129915-77050	5	6
129916-01800	2	4
129916-21610	8	9
129916-21680	8	7
129916-49530	10	20
129916-59020	11	127
129927-42140	2	23 A
129930-13201	6	8
	17	10
129940-13500	6	9
129940-42290	10	15 -1
129940-55650	14	27
129940-77320	16	28
129946-49810	10	19
129950-59221	14	10
129951-01620	3	2
129953-01710	3	8
129953-25300	7	16
129953-34800	9	2
129957-59120	14	6
129960-21640	8	8
129972-77341	16	30
129980-59510	14	11
129981-44740	10	16
129981-59010	14	8
144626-51090	11	83
158552-51570	11	46
158552-51580	11	48
158552-51670	11	125

Parts No.	Fig. No.	Ref. No.
158552-51780	11	118
158552-52100	11	71
158552-52310	11	73
158552-52400	11	74
158552-52500	11	72
158552-61900	12	77 -1
158553-51551	11	43
158553-51630	11	60
158553-51640	11	62
158553-51660	11	64
158553-51670	11	54
158553-51680	11	65
158557-51570	11	47
158560-51300	11	18
158560-51600	11	59
158560-61050	12	2
158560-61061	12	3
158560-61071	12	4
158560-61430	12	28
158560-61442	12	29
158563-51150	7	17
158563-51281	11	16
	17	17
158563-51330	11	26
158600-51270	11	15
158601-51550	11	42
158601-51570	11	44
158601-51650	11	63
158601-51770	11	117
158601-51790	11	116
171008-77750	15	25
171031-11741	2	37
171051-01921	1	6
171064-44510	10	46
22117-100000	6	12
22190-080002	9	15
	17	17
	21	21
	14	19
	17	24
22190-120002	11	76
	77	77
	119	119
22190-160002	12	82
22190-180002	11	78
	120	120
22190-220002	3	11
	17	25
22190-300002	17	31
22217-100000	6	13

Parts No.	Fig. No.	Ref. No.
22217-180000	7	18
	11	79
22252-000300	8	22
22312-050140	11	80
22351-050010	11	81
22351-060012	1	11
22512-070140	7	7
	8	6
22857-500100	4	63
		64
23000-025000	9	1
23000-054000	10	57
23000-080000	5	8
	6	16
23065-070225	10	51
23414-080000	10	32
	17	19
23857-030000	9	16
23857-060000	11	84
23875-030000	10	28
23876-020000	4	11
23876-030000	1	12
	13	13
	14	14
	4	12
23887-120002	11	121
23887-160002	12	83
24311-000070	2	26
	11	85
	17	21
24311-000120	4	27
		66
	17	22
24311-000160	14	24
24311-000300	17	29
24311-000320	2	39
		40
	4	67
	17	23
24321-000600	9	3
	17	30
24321-000650	14	23
24341-000280	12	77
24341-000530	8	10
	17	28
24351-030750	2	27
	17	26
24356-010200	11	57
		86
24356-020210	11	87

Parts No. Index

Parts No.	Fig. No.	Ref. No.
24372-000150	11	58
25152-004250	10	15
26106-060102	11	88
	12	65
		66
26106-060122	10	29
26106-060142	12	78
26106-060162	13	41
26106-060202	10	30
26106-060252	12	79
26106-060302	10	12
26106-060352	11	89
26106-060402	12	80
26106-080122	3	12
	9	7
		18
		20
	10	33
26106-080162	2	28
		29
		36
		45
	4	2
	7	8
	11	131
26106-080182	13	42
26106-080202	2	30
26106-080222	11	132
		133
	14	28
	16	31
26106-080302	14	3
26106-080352	5	7
26106-080402	2	31
		32
	4	44
26106-080452	2	33
26106-080552	5	3
	7	14
	10	13
26106-080602	4	45
		46
	10	34
26106-080852	5	4
	10	18
26106-100202	11	134
26106-100652	6	14
26116-060102	12	54
26116-120252	15	26
26206-100352	3	6

Parts No.	Fig. No.	Ref. No.
26216-100302	2	10
26226-080222	4	43
26306-080002	4	49
	6	6
26306-100002	2	34
	16	27
26450-100452	11	92
26706-100002	6	15
26756-060002	12	67
26776-180002	7	19
	11	93
27241-300000	1	15
27241-400000	4	13
27310-070001	4	23
28110-100120	17	37
28110-140170	17	38
729900-02800	1	25
729907-01559	2	1
729907-01560	1	1
729907-22910	8	33
729907-22950	8	35
729907-53100	13	1
729907-92930	17	1
729940-51410	11	1
977770-1207F	2	38
	3	13
	4	69
	17	34
X2240610100	15	13
X9490561001	16	3

Parts No.	Fig. No.	Ref. No.
-----------	----------	----------

Parts No.	Fig. No.	Ref. No.
-----------	----------	----------