

0CW10-M15700EN

PREFACE

1. This parts catalog is the 1st edition of 4TNV98-XKMR for Kohler Ltd.

Pub.No. : 000Y00W1570

Published : March,2007

Directions for the Parts Catalog.

1. The parts stipulated in this Parts Catalog are not necessarily standard equipped parts.
2. Parts may change without prior notice.
3. The following is an example of the Parts Catalog format.

REF.	LEV.	PARTS NO.	DESCRIPTION	Q'TY						I	R
				(A)	(B)	(C)	(D)	(E)	(F)		
1	1	729595-51390	FUEL INJECTION PUMP	1	1	1	1	1			1
1-1	1	729595-51391	FUEL INJECTION PUMP	1	1	1	1	1		N	1
		(A=E00185) (B=E00200)									
3	2	26022-060162	SCREW M 6X 16	9	9	9	9	9			
3-1	2	26022-060162	SCREW M 6X 16	4	4	4	4	4		K	
		(A=E00156) (B=E00156) (C=E00156) (D=E00156) (E=E00156)									
4	2	129470-51040	CAMSHAFT	1	1	1	1	1			
5	2	122710-51050	BEARING, ROLLER	2	2	2	2	2			
6	2	129470-51060	RETAINER	1	1	1	1	1			

Remarks
(1) BOOST COMPEMSATOR TYPE. OPTIONAL PART, TO E00155,(4JH-DT, 4JH-DTZ

① Ref. No.

The Ref. No. listed may not be in accordance with the illustration Ref. No.

(Ex.) Illustration No.

List Ref No.

1 1 (Before change) → 1-1 (After change)

For interchangeable symbols N, R and K, illustrations for new parts may be abbreviated.

② Lev. (Level)

Level indication

The numbers below indicate the level of relativity towards the main part.

1 ---- Main parts (Assembly parts)

2 ---- Sub component included in " 1 ".

3 ---- Sub component included in " 2 ".

Note) Parts that are not for sale are partially illustrated but not listed.

③ Interchangeability Mark

When a part change takes place, one of the following interchangeability symbols is indicated beside the part.

Symbol	Interchangeability	Contents note
N	Old $\begin{matrix} \leftarrow \text{Yes} \\ \text{No} \rightarrow \end{matrix}$ New	New Part is interchangeable for Old Part but Old Part is not interchangeable for New Part.
Q	Old $\begin{matrix} \leftarrow \text{No} \\ \text{Yes} \rightarrow \end{matrix}$ New	New Part is not interchangeable for Old Part but Old Part is interchangeable for New Part.
R	Old $\begin{matrix} \leftarrow \text{Yes} \\ \text{Yes} \rightarrow \end{matrix}$ New	New/ Old Parts are both interchangeable.
S	Old $\begin{matrix} \leftarrow \text{No} \\ \text{No} \rightarrow \end{matrix}$ New	New/ Old Parts are both not interchangeable.
W		Part newly added.
Z		Part discontinued.
F		Not interchangeable by a single part but interchangeable together with related parts.
K		Changes only for used parts quantities.

④ Effective Machine No.

When a part changes, the effective Machine No. will be indicated in the (A)-(F) column.

Product Symbol	Product No.	Product Symbol	Product No.
C	Clutch No. Compressor No.	F	Machine No. (Agricultural Equip.)
D	Drive No.	M	Machine No.
E	Engine No.		

Note 1) A date may follow the symbol. (Ex.) 1996.01

Note 2) "XXXXX" and "ZZZZZ" are for parts that could not be predicted or for engine models that could not be identified.

Note 3) (A=E00185) is the E (Engine Serial Number) for the column (A) model (in this case 4JH-DT) after the parts design change.

⑤ Remarks Mark

Figures or alphabets (symbols) are entered in the remarks column.

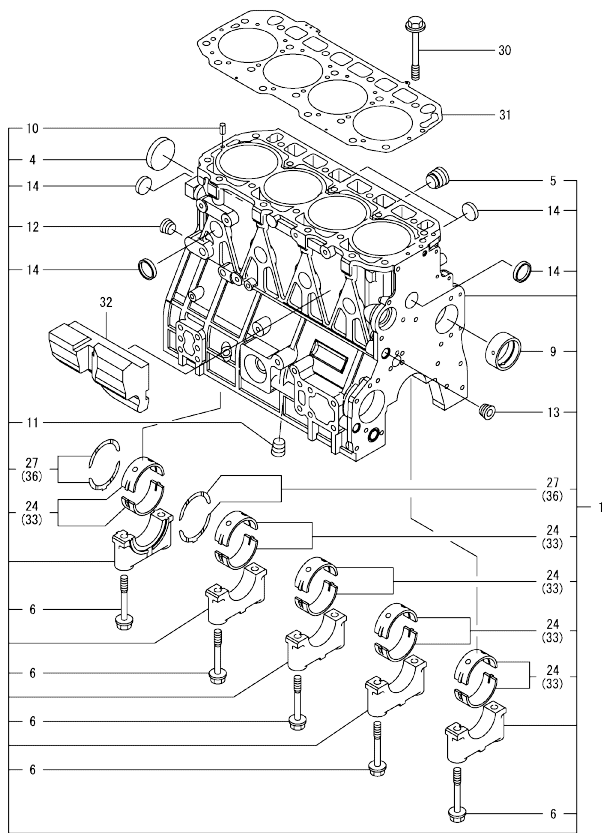
The comments (remarks) on parts that are indicated at the bottom of the illustration are the same symbols as those stated above.

Contents

0CW10-M15700

Fig. No.	Fig. Name	Fig. No.	Fig. Name
4	TNV98-XKMR		
1.	CYLINDER BLOCK		
2.	GEAR HOUSING		
3.	FLYWHEEL HOUSING & OIL SUMP		
4.	CYLINDER HEAD & BONNET		
5.	SUCTION MANIFOLD		
6.	CAMSHAFT & DRIVING GEAR		
7.	CRANKSHAFT & PISTON		
8.	LUB.OIL SYSTEM		
9.	COOLING WATER SYSTEM		
10.	FUEL INJECTION PUMP		
11.	GOVERNOR		
12.	FUEL INJECTION VALVE		
13.	FUEL LINE		
14.	STARTING MOTOR		
16.	(14A)STARTING MOTOR		
15.	GASKET SET		

Fig.1. CYLINDER BLOCK



(A)=4TNV98-XKMR
(B)=
(C)=

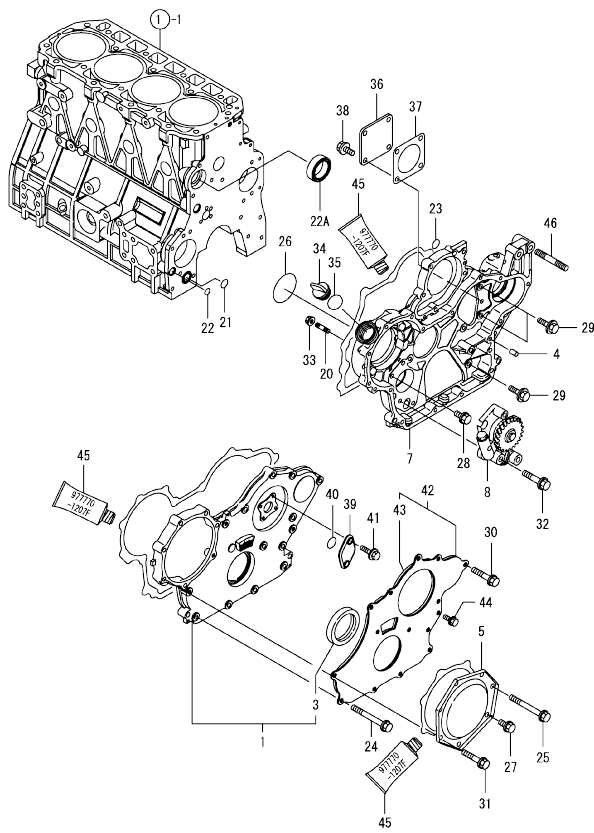
(D)=
(E)=
(F)=

No.	Lev.	Parts No.	Description	Q'ty						I	R
				(A)	(B)	(C)	(D)	(E)	(F)		
1	1	729907-01560	BLOCK ASSY, CYLINDER	1							
4	2	129900-01250	PLUG, DISH TYPE 55	1							
5	2	171051-01921	PLUG, NPTF1	1							
6	2	129900-02020	BOLT, METAL CAP	10							
9	2	129900-02410	BUSH, CAMSHAFT	1							
10	2	22351-060012	PIN, SPRING 6.0X12	2							
11	2	23876-030000	PLUG, R03	1							
12	2	23876-030000	PLUG, R03	1							
13	2	23876-030000	PLUG, R03	1							
14	2	27241-300000	PLUG 30	8							
24	2	729900-02801	BEARING, MAIN	5							3
27	2	129900-02931	BEARING ASSY, THRUST	2							
30	1	129900-01200	BOLT, CYLINDER HEAD	18							
31	1	129907-01331	GASKET, HEAD	1							
32	1	129907-01190	SPACER	1							
33	1	129900-02341	BEARING ASSY, MAIN	5							1
36	1	129900-02941	BEARING, THRUST 0.25	2							2

Remarks
(1) UNDER-SIZE(U.S=0.25)PART.
(2) OVER-SIZE(O.S=0.25)PART.
(3) REPAIR PART.

0CW10-M15700 4TNV98-XKMR
 Fig.2. GEAR HOUSING

0CW10-M15700 Fig.2



(A)=4TNV98-XKMR
 (B)=
 (C)=

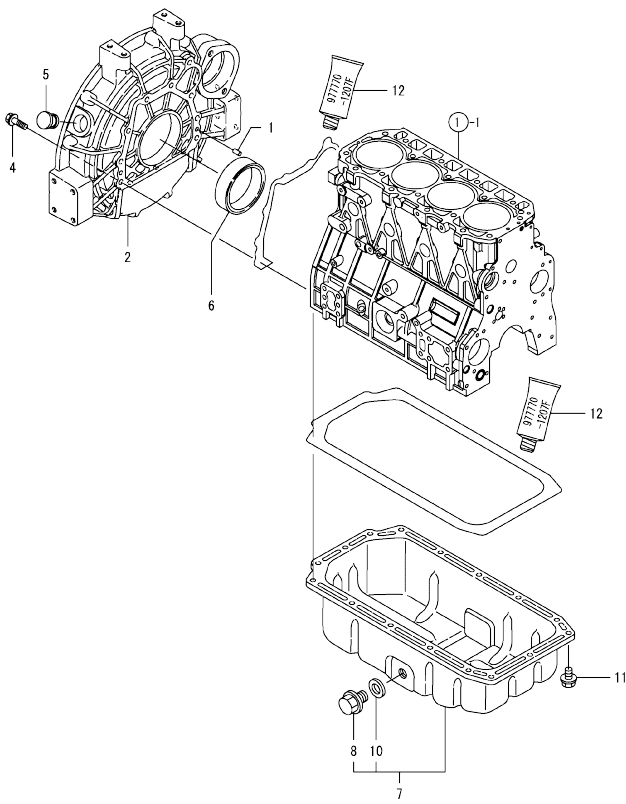
(D)=
 (E)=
 (F)=

No.	Lev.	Parts No.	Description	Q'ty						I	R
				(A)	(B)	(C)	(D)	(E)	(F)		
1	1	729907-01570	COVER ASSY,GEAR CASE	1							
3	2	129900-01780	SEAL, OIL	1							
4	1	129100-01580	PIN, PARALLEL 8X16	4							
5	1	129900-01740	COVER	1							
7	1	129907-01500	CASE, GEAR	1							
8	1	129900-32001	PUMP ASSY, OIL	1							
20	1	26216-100302	STUD, M10X 30	4							
21	1	129900-32030	O-RING, P20	1							
22	1	129900-32040	O-RING, P14	1							
22A	1	129927-42140	GASKET, PUMP OUTLET	1							W
(A=ET6120)											
23	1	24311-000070	O-RING, 1AP7.0	1							
24	1	129001-91810	BOLT, M8X70	6							
25	1	129001-91810	BOLT, M8X70	1							
26	1	24351-030750	O-RING, 1A3075	1							
27	1	26106-080162	BOLT, M8X 16 PLATED	1							
28	1	26106-080162	BOLT, M8X 16 PLATED	1							
29	1	26106-080202	BOLT, M8X 20 PLATED	3							
30	1	26106-080402	BOLT, M8X 40 PLATED	5							
31	1	26106-080402	BOLT, M8X 40 PLATED	5							
32	1	26106-080452	BOLT, M8X 45 PLATED	3							
33	1	26306-100002	NUT, M10	4							
34	1	124160-01751	CAP, FILLER	1							
35	1	24311-000320	O-RING, 1AP32.0	1							
36	1	124240-01871	COVER, PUMP	1							
37	1	124240-01883	GASKET	1							
38	1	26106-080162	BOLT, M8X 16 PLATED	4							
39	1	121023-01551	COVER	1							
40	1	24341-000240	O-RING, 1AS24.0	1							
41	1	26106-060162	BOLT, M6X 16 PLATED	2							
42	1	129900-01850	COVER ASSY,GEAR CASE	1							
43	2	129900-01870	SPONGE, GEAR CASE	1							
44	1	26106-080162	BOLT, M8X 16 PLATED	3							
45	1	977770-1207F	GASKET LIQUID	1							1
46	1	129795-01900	BOLT, STUD M10X33	1							

Remarks
 (1) OPTIONAL PART.

N:Old $\frac{100}{100}$ New, Q:Old $\frac{100}{100}$ New, R:Old $\frac{100}{100}$ New, S:Old $\frac{100}{100}$ New, W:Add, Z:Discontinued, F:Interchangeable by set, K:Q'ty Change
 Copyright (C) YANMAR GLOBAL CS CO., LTD. All Rights Reserved.

Fig.3. FLYWHEEL HOUSING & OIL SUMP



(A)=4TNV98-XKMR
(B)=
(C)=

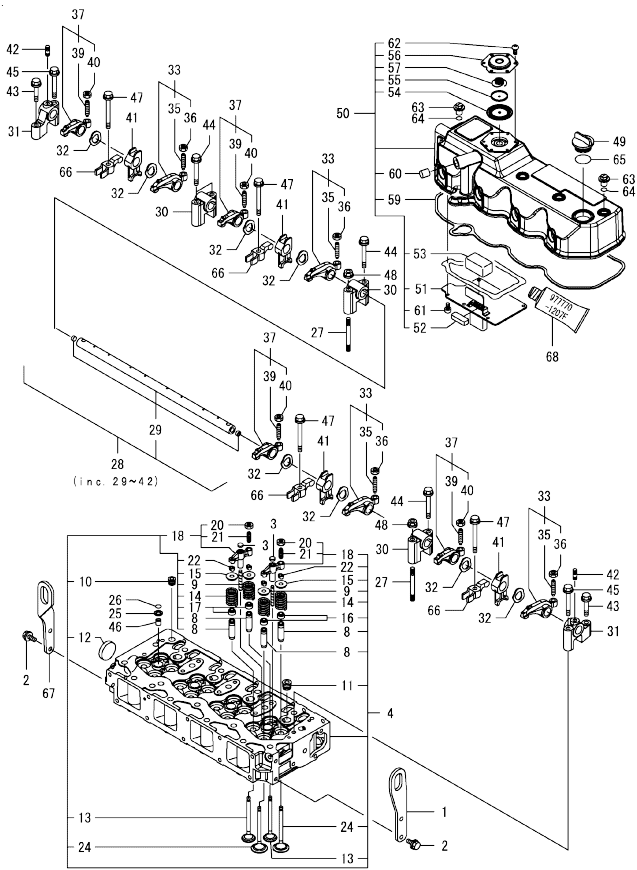
(D)=
(E)=
(F)=

No.	Lev.	Parts No.	Description	Q'ty						I	R
				(A)	(B)	(C)	(D)	(E)	(F)		
1	1	129100-01580	PIN, PARALLEL 8X16	2							
2	1	129951-01620	HOUSING, FLYWHEEL	1							
4	1	26206-100352	BOLT, M10X 35 PLATED	9							
5	1	119000-01840	PLUG, RUBBER	1							
6	1	124411-01780	SEAL, HTC95X115X12	1							
7	1	129902-01710	OIL PAN ASSY	1							
8	2	119640-01640	PLUG, DRAIN M22	1							
10	2	22190-220002	WASHER, SEAL 22	1							
11	1	26106-080122	BOLT, M8X 12 PLATED	16							
12	1	977770-01212	GASKET, LIQUID	1							1

Remarks
(1) OPTIONAL PART.

N:Old $\frac{100}{100}$ New, Q:Old $\frac{100}{100}$ New, R:Old $\frac{100}{100}$ New, S:Old $\frac{100}{100}$ New, W:Add, Z:Discontinued, F:Interchangeable by set, K:Qty Change
Copyright (C) YANMAR GLOBAL CS CO., LTD. All Rights Reserved.

Fig.4. CYLINDER HEAD & BONNET



(A)=4TNV98-XKMR
(B)=
(C)=

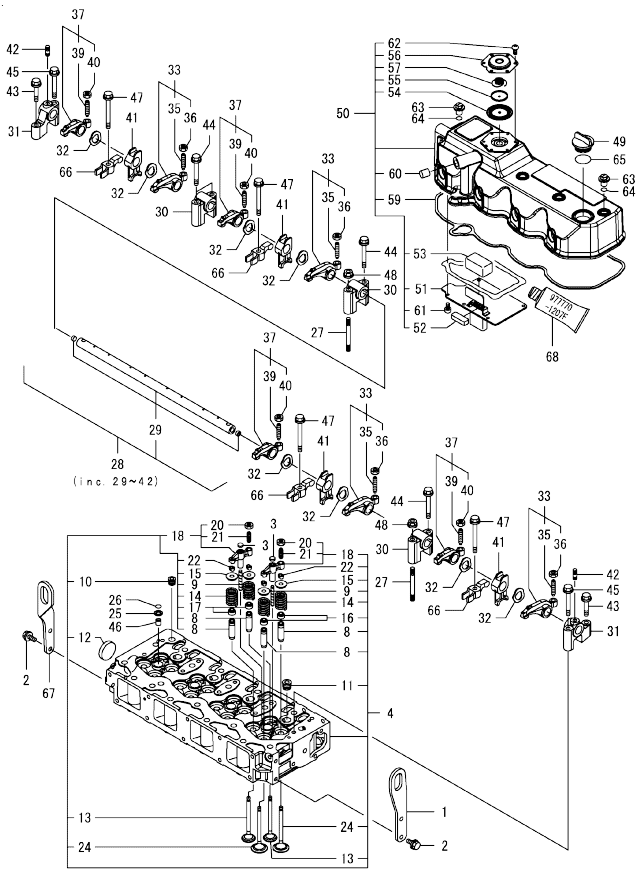
(D)=
(E)=
(F)=

No.	Lev.	Parts No.	Description	Q'ty						I	R
				(A)	(B)	(C)	(D)	(E)	(F)		
1	1	129907-07900	LIFTER, ENGINE	1							
2	1	26106-080162	BOLT, M8X 16 PLATED	4							
3	1	123907-11550	SEAT, VALVE BRIDGE	8							
4	1	129907-11700	HEAD ASSY, CYLINDER	1							1
8	2	129907-11800	GUIDE, VALVE	16							
9	2	123907-11820	GUIDE, BRIDGE	8							
10	2	23876-020000	PLUG, R02	1							
11	2	23876-030000	PLUG, R03	4							
12	2	27241-400000	PLUG, 40	1							
13	2	129907-11110	VALVE, EXHAUST	8							
14	2	129907-11120	SPRING, VALVE	16							
15	2	119620-11180	RETAINER, SPRING	16							
16	2	124160-11340	SEAL, VALVE STEM	8							
17	2	119803-11340	SEAL, VALVE STEM	8							
18	2	129907-11510	BRIDGE ASSY, VALVE	8							
20	3	129150-11750	NUT, M8	8							
21	3	123907-11830	ADJUSTER	8							
22	2	27310-070001	COTTER, 7	16							
24	2	129907-11100	VALVE, SUCTION	8							
25	1	119625-11880	SEAT, NOZZLE	4							
26	1	24311-000120	O-RING, 1AP12.0	4							
27	1	119593-11301	BOLT, STUD M8X80	2							
28	1	129907-11341	SHAFT ASSY, ROCKER	1							
29	2	129907-11250	SHAFT, ROCKER ARM	1							
30	2	129907-11260	SUPPORT, ROCKER ARM	3							
31	2	129907-11270	SUPPORT, ROCKER ARM	2							
32	2	123907-11280	WASHER	8							
33	2	129907-11650	ARM ASSY, ROCKER	4							
35	3	129150-11230	SCREW, VALVE ADJUST	4							
36	3	129150-11750	NUT, M8	4							
37	2	129907-11660	ARM ASSY, ROCKER	4							
39	3	129150-11230	SCREW, VALVE ADJUST	4							
40	3	129150-11750	NUT, M8	4							
41	2	129907-11920	RETAINER, NOZZLE	4							
42	2	26226-080222	STUD, M8X 22	2							
43	1	26106-080402	BOLT, M8X 40 PLATED	2							
44	1	26106-080602	BOLT, M8X 60 PLATED	2							
45	1	26106-080602	BOLT, M8X 60 PLATED	4							
46	1	119802-11870	PROTECTOR, NOZZLE	4							
47	1	129907-11950	BOLT, M8X75	4							
48	1	26306-080002	NUT, M8	2							
49	1	124160-01751	CAP, FILLER	1							
50	1	129907-11320	BONNET ASSY, HEAD	1							
51	2	129907-03011	PLATE, BAFFLE	1							
52	2	129907-03061	BAFFLE, BREATHER	1							
53	2	129907-03070	BAFFLE, BREATHER	1							
54	2	123907-03100	DIAPHRAGM	1							
55	2	123907-03110	PLATE	1							
56	2	123907-03120	PLATE, BREATHER	1							
57	2	123907-03140	SPRING, DIAPHRAGM	1							
59	2	129907-11310	GASKET, BONNET	1							

Remarks

- (1) REPAIR PART.
- (2) OPTIONAL PART.

Fig.4. CYLINDER HEAD & BONNET



(A)=4TNV98-XKMR
(B)=
(C)=

(D)=
(E)=
(F)=

No.	Lev.	Parts No.	Description	Q'ty						I	R
				(A)	(B)	(C)	(D)	(E)	(F)		
60	2	119640-61400	PLUG	1							
61	2	22857-500100	SCREW, 5X10	6							
62	2	22857-500100	SCREW, 5X10	6							
63	1	124160-11360	KNOB	4							
64	1	24311-000120	O-RING, 1AP12.0	4							
65	1	24311-000320	O-RING, 1AP32.0	1							
66	1	129907-11910	RETAINER, NOZZLE	4							
67	1	129910-07900	LIFTER, ENGINE	1							
68	1	977770-1207F	GASKET, LIQUID	1							2

Remarks

- (1) REPAIR PART.
- (2) OPTIONAL PART.

Fig.5. SUCTION MANIFOLD

(A)=4TNV98-XKMR
(B)=
(C)=

(D)=
(E)=
(F)=

No.	Lev.	Parts No.	Description	Q'ty						I	R
				(A)	(B)	(C)	(D)	(E)	(F)		
1	1	129944-12110	MANIFOLD, AIR INTAKE	1							
2	1	129907-12110	GASKET, MANIFOLD	1							
3	1	26106-080452	BOLT, M8X 45 PLATED	8							
4	1	26106-080802	BOLT, M8X 80 PLATED	2							
5	1	121850-77021	GASKET, AIR HEATER	1							
6	1	121850-77100	SLEEVE, PIPE	1							
7	1	26106-080142	BOLT, M8X 14 PLATED	4							
8	1	129900-13251	GASKET, EXH.MANIFOLD	1							

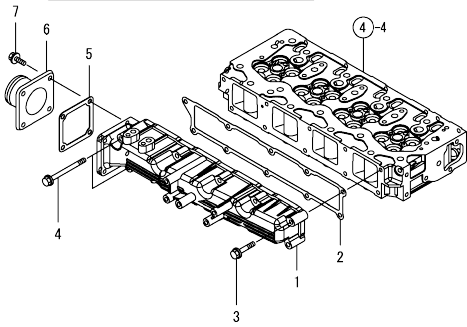
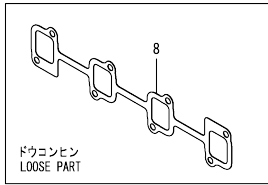
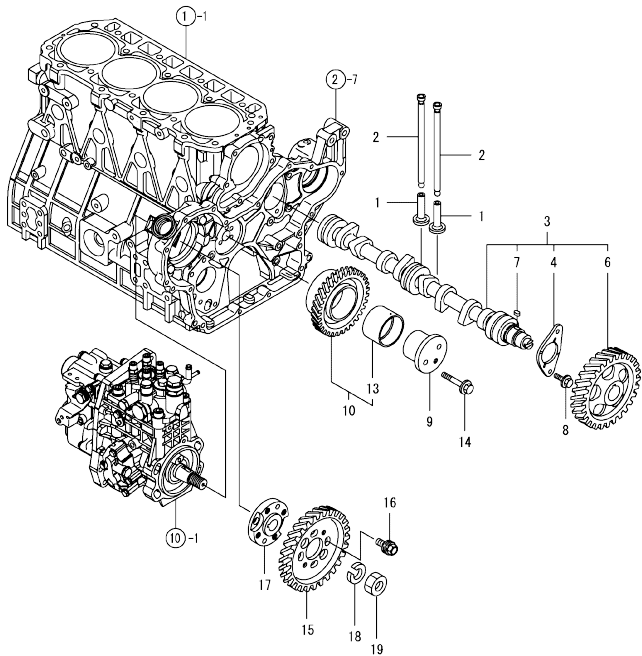


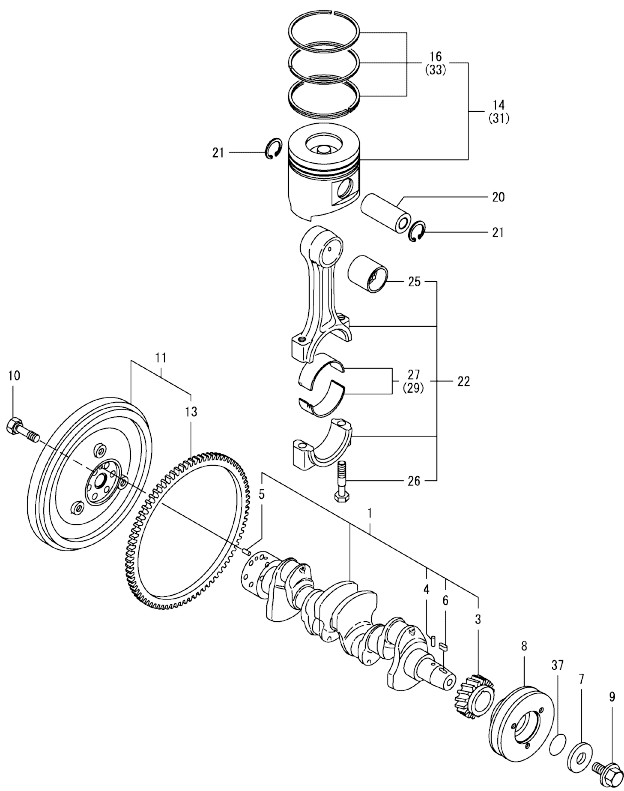
Fig.6. CAMSHAFT & DRIVING GEAR



No.	Lev.	Parts No.	Description	Q'ty						I	R
				(A)	(B)	(C)	(D)	(E)	(F)		
1	1	129150-14200	TAPPET	8							
2	1	129907-14400	PUSH-ROD	8							
3	1	129907-14581	CAMSHAFT ASSY	1							
3-1	1	129908-14581	CAMSHAFT ASSY	1							N
		(A=EZZZZZ)									
4	2	129150-02450	BEARING, THRUST	1							
6	2	129900-14100	GEAR, CAMSHAFT	1							
7	2	22512-070140	KEY, 7X 14	1							
8	1	26106-080162	BOLT, M8X 16 PLATED	2							
9	1	123900-25060	SHAFT, IDLE GEAR	1							
10	1	129900-25100	GEAR ASSY, IDLE	1							
13	2	129150-25920	BUSH, IDLE GEAR	1							1
14	1	26106-080552	BOLT, M8X 55 PLATED	3							
15	1	129907-25900	GEAR, PUMP	1							
16	1	129953-25300	BOLT	4							
17	1	158563-51150	FLANGE	1							
18	1	22217-180000	WASHER, SPRING 18	1							
19	1	26776-180002	NUT, LOCK M18	1							

Remarks
(1) OPTIONAL PART.

Fig.7. CRANKSHAFT & PISTON



(A)=4TNV98-XKMR
(B)=
(C)=

(D)=
(E)=
(F)=

No.	Lev.	Parts No.	Description	Q'ty						I	R
				(A)	(B)	(C)	(D)	(E)	(F)		
1	1	129902-21000	CRANKSHAFT ASSY	1							
3	2	129900-21200	GEAR, CRANKSHAFT	1							
4	2	121850-21290	PIN	1							
5	2	121850-21920	PIN, PARALLEL 10X22	1							
6	2	22512-070140	KEY, 7X 14	1							
7	1	129960-21640	WASHER	1							
8	1	129963-21650	V-PULLEY, 130	1							
9	1	129916-21610	BOLT	1							
10	1	121850-21130	BOLT, FLYWHEEL	6							
11	1	129902-21580	FLYWHEEL ASSY	1							
13	2	127410-21480	GEAR, RING Z=129	1							
14	1	129907-22090	PISTON ASSY, 18.5	4							
16	2	129907-22050	RING SET, PISTON	4							
20	1	120130-22301	PIN, PISTON	4							
21	1	22252-000300	RING, 30	8							
22	1	129900-23001	ROD ASSY, CONNECTING	4							
25	2	129900-23911	BEARING, PISTON PIN	4							1
26	2	129900-23200	BOLT, CONNECTING ROD	8							
27	2	129900-23601	BEARING, CRANK PIN	4							
29	1	129900-23611	BEARING ASSY, 0.25US	4							2
31	1	729907-22910	PISTON ASSY, 0.25 OS	4							3
33	2	729907-22950	RING SET, 0.25 OS	4							3
37	1	24341-000530	O-RING, 1AS53.0	1							

Remarks

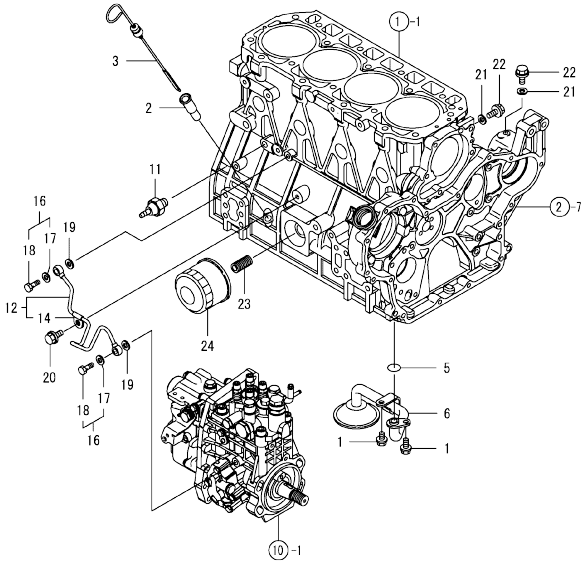
- (1) REPAIR PART.
- (2) UNDER-SIZE(U.S=0.25)PART.
- (3) OVER-SIZE(O.S=0.25)PART.

Fig.8. LUB.OIL SYSTEM

(A)=4TNV98-XKMR
(B)=
(C)=

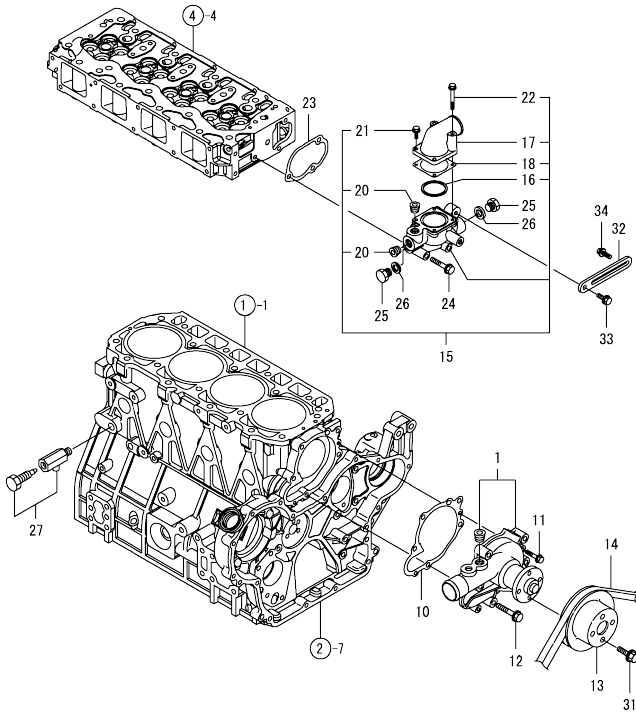
(D)=
(E)=
(F)=

No.	Lev.	Parts No.	Description	Q'ty					
				(A)	(B)	(C)	(D)	(E)	(F)
1	1	26106-080122	BOLT, M8X 12 PLATED	2					
2	1	121520-34810	GUIDE, DIPSTICK	1					
3	1	129900-34800	DIPSTICK	1					
5	1	129900-32030	O-RING, P20	1					
6	1	129900-35000	PIPE ASSY, OIL INLET	1					
11	1	114250-39450	SWITCH, HYDRAULIC	1					
12	1	129907-39061	PIPE ASSY, OIL	1					
14	2	123907-39500	RETAINER, PIPE	1					
16	1	129005-59830	BOLT ASSY, JOINT M8	2					
17	2	22190-080002	WASHER, SEAL 6	2					
18	2	23857-030000	BOLT, JOINT 3	2					
19	1	22190-080002	WASHER, SEAL 6	2					
20	1	26106-080122	BOLT, M8X 12 PLATED	1					
21	1	22190-080002	WASHER, SEAL 6	2					
22	1	26106-080122	BOLT, M8X 12 PLATED	2					
23	1	119000-35140	BOLT, STUD FILTER	1					
24	1	129150-35170	FILTER,LO	1					



Remarks
(1) REPAIR PART.

Fig.9. COOLING WATER SYSTEM



(A)=4TNV98-XKMR
(B)=
(C)=

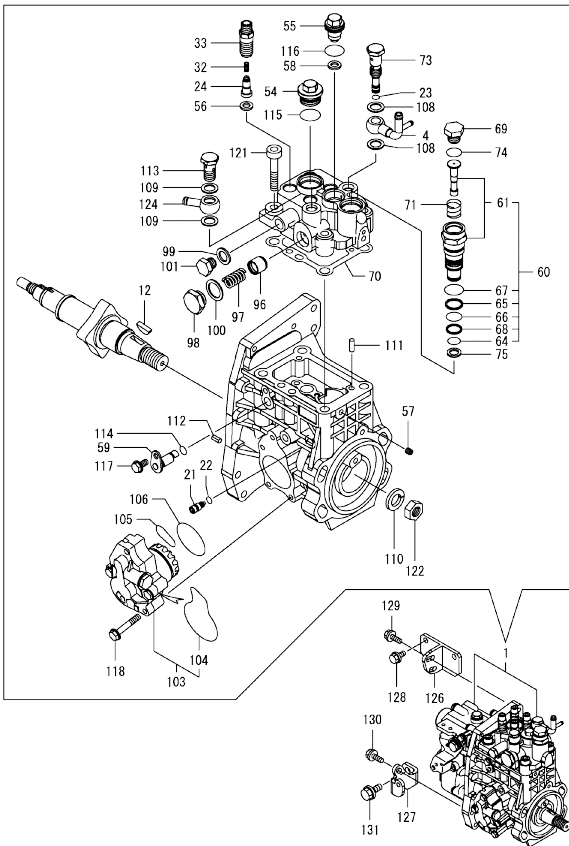
(D)=
(E)=
(F)=

No.	Lev.	Parts No.	Description	Q'ty						I	R
				(A)	(B)	(C)	(D)	(E)	(F)		
1	1	129900-42002	PUMP ASSY, WATER	1							
10	1	129900-42020	GASKET, WATER PUMP	1							
11	1	26106-060302	BOLT, M6X 30 PLATED	2							
12	1	26106-080552	BOLT, M8X 55 PLATED	5							
13	1	129900-42461	V-PULLEY, C.W.PUMP	1							
14	1	129052-42290	V-BELT, A40.5	1							
15	1	129955-49800	CASE ASSY,THERMOSTAT	1							
16	2	121850-49550	GASKET, THERMOSTAT	1							
17	2	129980-49530	COVER, THERMOSTAT	1							
18	2	121850-49540	GASKET, THERMOSTAT	1							
20	2	23875-030000	PLUG, R03	2							
21	2	26106-060202	BOLT, M6X 20 PLATED	2							
22	2	26106-060552	BOLT, M6X 55 PLATED	2							
23	1	129900-49870	GASKET, THERMOSTAT	1							
24	1	26106-080702	BOLT, M8X 70 PLATED	3							
25	1	121450-42450	PLUG, M16	2							
26	1	124465-44950	GASKET, 16	2							
27	1	119620-49290	COCK ASSY, 1/4	1							
31	1	26106-080122	BOLT, M8X 12 PLATED	4							
32	1	129900-77330	ADJUSTER, BELT	1							
33	1	26014-080252	BOLT, M8X 25	1							
34	1	119810-77340	BOLT, ADJUST L=30	1							

Fig.10. FUEL INJECTION PUMP

(A)=4TNV98-XKMR
(B)=
(C)=

(D)=
(E)=
(F)=

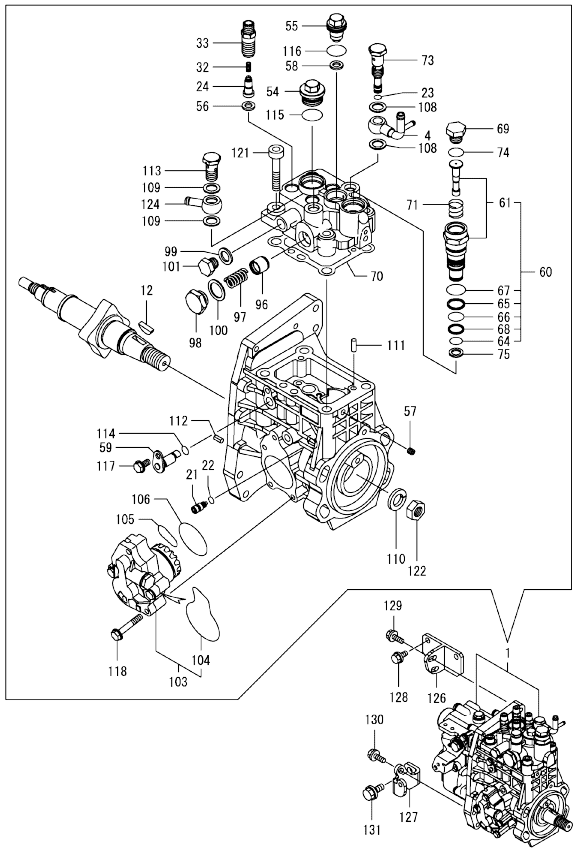


No.	Lev.	Parts No.	Description	Q'ty						I	R	
				(A)	(B)	(C)	(D)	(E)	(F)			
1	1	729946-51310	PUMP ASSY, INJECTION	1							1	
4	2	158552-51670	JOINT, OVER FLOW	1								
12	2	144626-51090	FEATHER KEY, 5X19	1								
21	2	158600-51270	STOPPER, TAPPET	1								
22	2	158563-51281	O-RING, 4D S6	1								
23	2	158563-51281	O-RING, 4D S6	1								
24	2	158560-51300	VALVE ASSY, DELIVERY	4								
32	2	158563-51330	SPRING, DELIVERY	4								
33	2	129907-51340	HOLDER, DELIVERY	4								
54	2	158601-51550	PLUG, M22	1								
55	2	129907-51560	PLUG, M16	1								
56	2	158552-51570	GASKET, PLUG	4								
57	2	158557-51570	PLUG, RACK	1								
58	2	129906-51580	GASKET, PLUG	1								
59	2	158552-51580	LIFTER, LINK	1								
60	2	119802-51590	TIMER ASSY	1								
61	3	119802-51600	TIMER ASSY	1								
64	3	158553-51670	O-RING	1								
65	3	119802-51680	RING, BACKUP	1								
66	3	119802-51690	O-RING	1								
67	3	24356-010200	O-RING, 4D1020	1								
68	3	24372-000150	RING, BACK UP T2P15	1								
69	2	129670-51600	PLUG	1								
70	2	158560-51600	GASKET	1								
71	2	158553-51630	SPRING, TIMER	1								
73	2	158601-51650	JOINT, OVER FLOW	1								
74	2	158553-51660	O-RING, P14	1								
75	2	158553-51680	GASKET, TIMER	1								
96	2	158601-51770	PISTON, ACCUMULATOR	1								
97	2	158552-51781	SPRING, ACCUMULATOR	1								
98	2	158601-51790	PLUG	1								
99	2	22190-120002	WASHER, SEAL 12	1								
100	2	22190-180002	WASHER, SEAL 18	1								
101	2	23887-120002	PLUG, 12	1								
103	2	158552-52100	PUMP ASSY, FUEL FEED	1								
104	3	158552-52500	O-RING	1								
105	2	158552-52310	O-RING	1								
106	2	158552-52400	O-RING, 4E S42	1								
108	2	22190-120002	WASHER, SEAL 12	2								
109	2	22190-120002	WASHER, SEAL 12	2								
110	2	22217-180000	WASHER, SPRING 18	1								
111	2	22312-050140	PIN, PARALLEL M5X14	2								
112	2	22351-050010	PIN, SPRING 5.0X10	2								
113	2	23857-060000	BOLT, JOINT 6	1								
114	2	24311-000070	O-RING, 1AP7.0	1								
115	2	24356-010200	O-RING, 4D1020	1								
116	2	24356-020210	O-RING, 4D2021	1								
117	2	26106-060102	BOLT, M6X 10 PLATED	1								
118	2	26106-060352	BOLT, M6X 35 PLATED	4								
121	2	26450-100452	BOLT, M10X 45	4								
122	2	26776-180002	NUT, LOCK M18	1								

Remarks
(1) GOVERNOR ASSY(FIG.11) IS
INCORPORATED IN THIS FOP.CMP
(REF.NO.1).

N:Old $\frac{100}{100}$ New, Q:Old $\frac{100}{100}$ New, R:Old $\frac{100}{100}$ New, S:Old $\frac{100}{100}$ New, W:Add, Z:Discontinued, F:Interchangeable by set, K:Q'ty Change
++ CONTINUE ++
Copyright (C) YANMAR GLOBAL CS CO., LTD. All Rights Reserved.

Fig.10. FUEL INJECTION PUMP



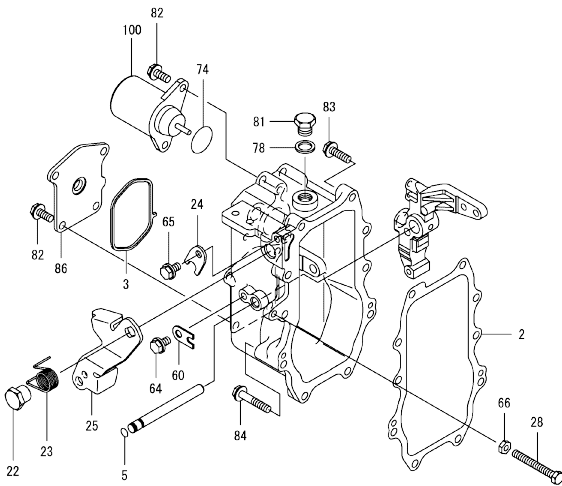
(A)=4TNV98-XKMR
(B)=
(C)=

(D)=
(E)=
(F)=

No.	Lev.	Parts No.	Description	Q'ty						I	R
				(A)	(B)	(C)	(D)	(E)	(F)		
124	2	129916-59020	JOINT, PIPE 12	1							
126	1	129907-01950	RETAINER, PUMP	1							
127	1	129907-01960	RETAINER, PUMP	1							
128	1	26106-080162	BOLT, M8X 16 PLATED	2							
129	1	26106-080222	BOLT, M8X 22 PLATED	2							
130	1	26106-080222	BOLT, M8X 22 PLATED	1							
131	1	26106-100202	BOLT, M10X 20 PLATED	1							

Remarks
(1) GOVERNOR ASSY(FIG.11) IS
INCORPORATED IN THIS FOP.CMP
(REF.NO.1).

Fig.11. GOVERNOR



(A)=4TNV98-XKMR
(B)=
(C)=

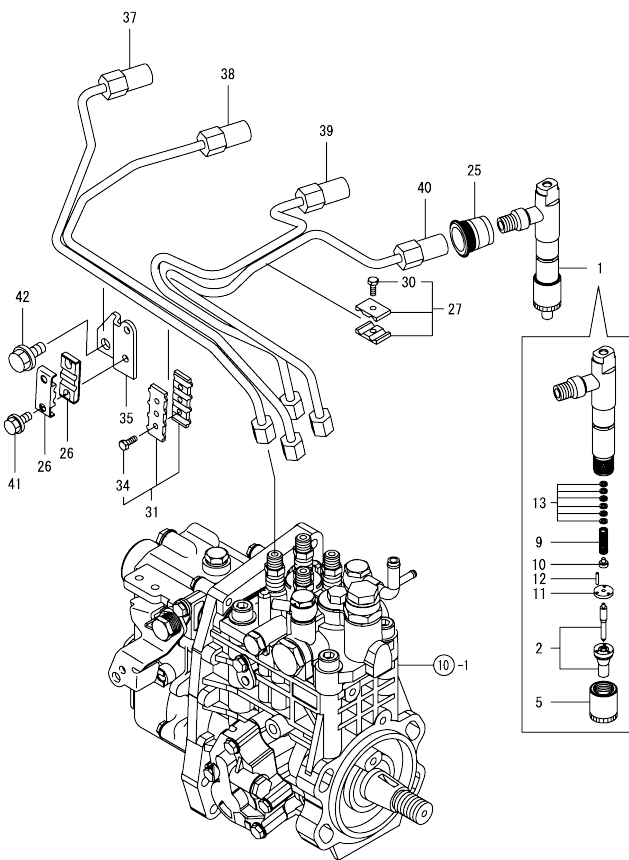
(D)=
(E)=
(F)=

No.	Lev.	Parts No.	Description	Q'ty						I	R
				(A)	(B)	(C)	(D)	(E)	(F)		
2	2	158560-61050	GASKET	1							
3	2	158560-61071	GASKET	1							
5	2	129155-51280	O-RING, S6	1							
22	2	129255-61410	NUT, M8	1							
23	2	119807-61420	SPRING, RETURN	1							
24	2	158560-61430	STOPPER, SHAFT	1							
25	2	129937-61440	LEVER, REGULATOR	1							
28	2	129155-61460	BOLT, LIMITING	1							
60	2	119660-61901	STOPPER, SHAFT	1							
64	2	26106-060102	BOLT, M6X 10 PLATED	1							
65	2	26106-060102	BOLT, M6X 10 PLATED	1							
66	2	26756-060002	NUT, LOCK M6	1							
74	2	158552-61900	O-RING	1							
78	2	22190-160002	WASHER, SEAL 16	1							
81	2	23887-160002	PLUG, 16	1							
82	2	26106-060142	BOLT, M6X 14 PLATED	6							
83	2	26106-060252	BOLT, M6X 25 PLATED	8							
84	2	26106-060402	BOLT, M6X 40 PLATED	2							
86	2	129946-61061	COVER, GOVERNOR CASE	1							
100	2	119653-77950	SOLENOID, STOP	1							

Remarks

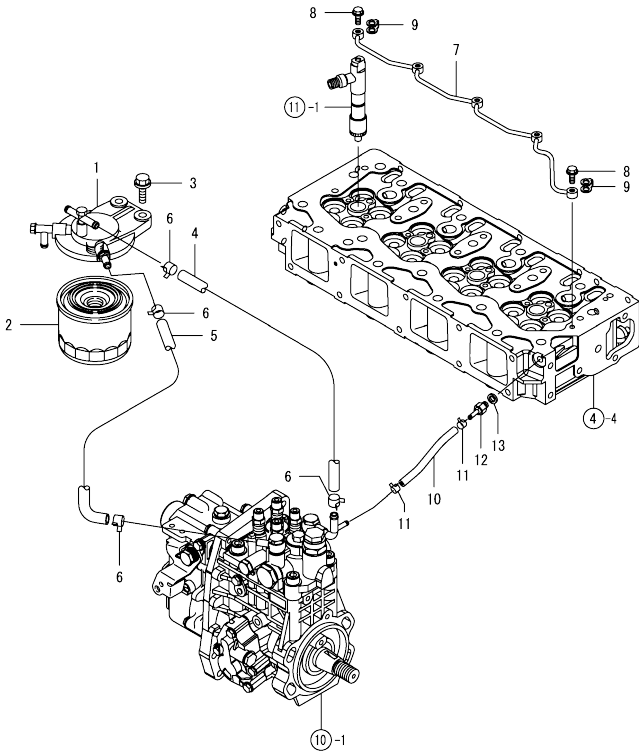
* THIS FIGURE(GOVERNOR ASSY)IS INCORPORATED IN THE FUEL INJECTION PUMP ASSY(FIG.10).

Fig.12. FUEL INJECTION VALVE



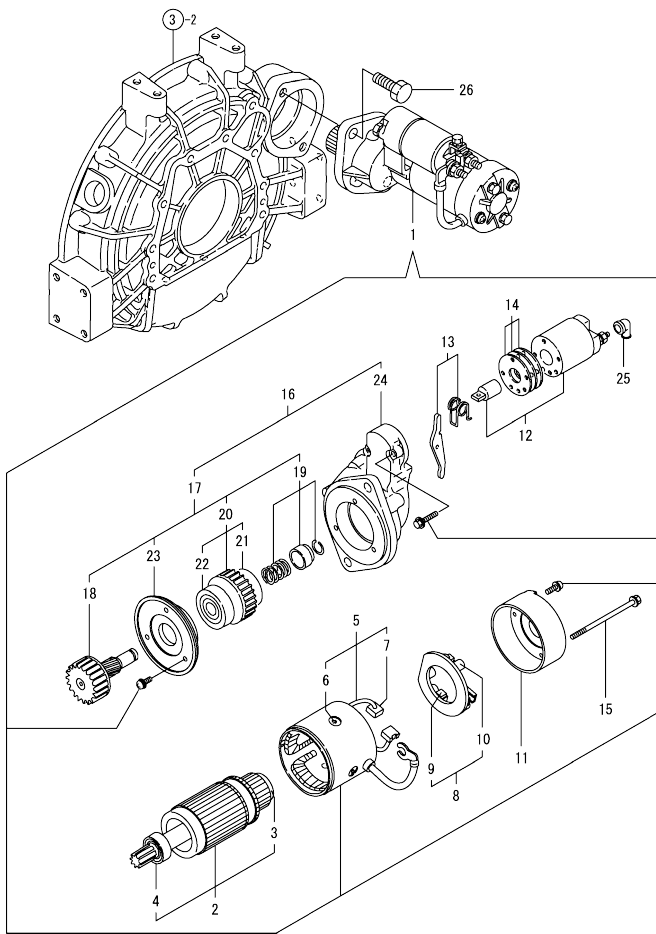
No.	Lev.	Parts No.	Description	Q'ty						I	R
				(A)	(B)	(C)	(D)	(E)	(F)		
1	1	729946-53300	FUEL INJECTOR ASSY	4							
2	2	129937-53000	NOZZLE ASSY, F.I.	4							
5	2	114250-53080	NUT, NOZZLE	4							
9	2	114250-53120	SPRING, NOZZLE	4							
10	2	114250-53130	SEAT, SPRING	4							
11	2	114250-53140	SPACER	4							
12	2	114250-53210	PIN	8							
13	2	114250-53400	SHIM SET	4							
25	1	123907-11601	SEAL, PIPE	4							
26	1	122780-59100	RETAINER, PIPE	2							
27	1	119305-59120	RETAINER, PIPE	1							
30	2	129150-59131	BOLT, M4X14	1							
31	1	129550-59120	RETAINER, PIPE	1							
34	2	129150-59131	BOLT, M4X14	2							
35	1	129907-59710	SUPPORT	1							
37	1	129907-59810	PIPE ASSY, INJECTION	1							
38	1	129907-59820	PIPE ASSY, INJECTION	1							
39	1	129907-59830	PIPE ASSY, INJECTION	1							
40	1	129907-59840	PIPE ASSY, INJECTION	1							
41	1	26106-060162	BOLT, M6X 16 PLATED	2							
42	1	26106-080182	BOLT, M8X 18 PLATED	1							

Fig.13. FUEL LINE



No.	Lev.	Parts No.	Description	Q'ty					
				(A)	(B)	(C)	(D)	(E)	(F)
1	1	129004-55612	BRACKET, FILTER	1					
2	1	119802-55810	FILTER,FO	1					
3	1	26106-080302	BOLT, M8X 30 PLATED	2					
4	1	119773-59123	PIPE, FUEL RETURN	1					
5	1	129570-59121	PIPE, FUEL	1					
6	1	23000-016000	CLAMP, 16	4					
7	1	129907-59140	PIPE ASSY, RETURN	1					
8	1	123907-59540	BOLT, PIPE JOINT M6	5					
9	1	123907-59550	GASKET	5					
10	1	129495-59553	PIPE, FUEL	1					
11	1	23000-013000	CLAMP, 13	2					
12	1	123907-59560	JOINT, HOSE	1					
13	1	22190-080002	WASHER, SEAL 6	1					

Fig.14. STARTING MOTOR

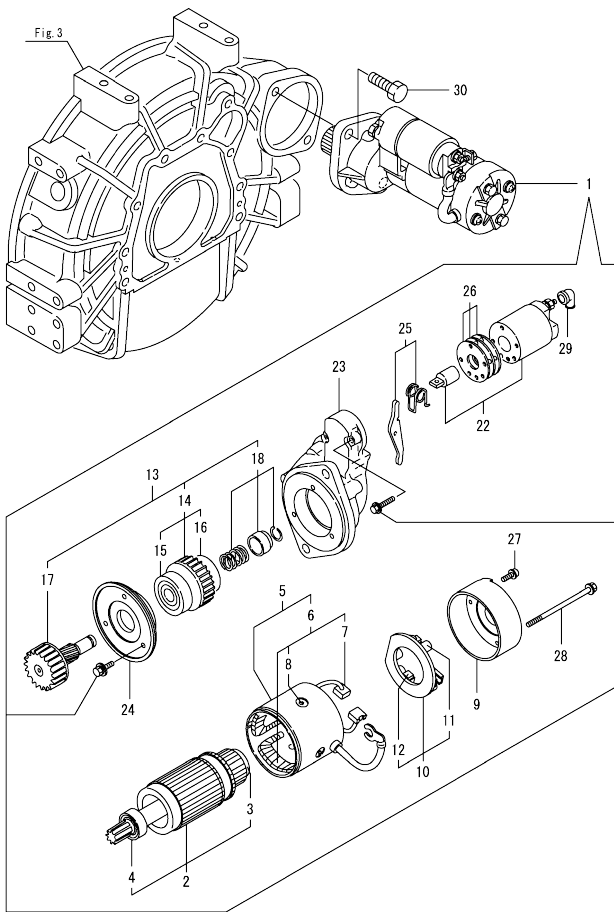


(A)=4TNV98-XKMR
(B)=
(C)=

(D)=
(E)=
(F)=

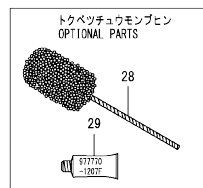
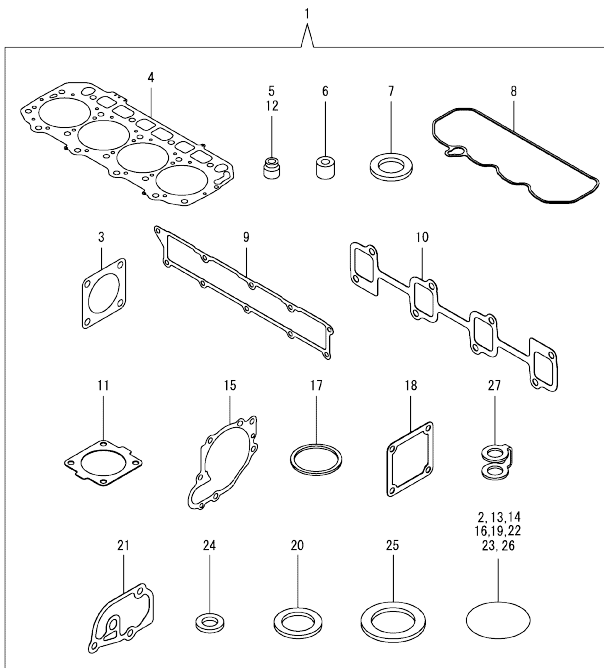
No.	Lev.	Parts No.	Description	Q'ty						I	R
				(A)	(B)	(C)	(D)	(E)	(F)		
1	1	129900-77010	STARTER ASSY	1							
2	2	129900-77400	ARMATURE ASSY	1							
3	3	X2114155110	BEARING, BALL	1							
4	3	X2114255110	BEARING, BALL	1							
5	2	129900-77440	COIL ASSY, FIELD	1							
6	3	171008-77450	SCREW, CORE SET	4							
7	3	129900-77450	BRUSH	2							
8	2	129900-77480	HOLDER ASSY, BRUSH	1							
9	3	129900-77450	BRUSH	2							
10	3	X2130631300	SPRING, BRUSH	4							
11	2	129900-77460	COVER	1							
12	2	129900-77591	SWITCH ASSY, MAGNET	1							
13	2	129900-77620	LEVER SET	1							
14	2	129900-77650	COVER KIT, DUST	1							
15	2	129900-77640	BOLT, THROUGH	2							
16	2	129900-77700	CASE ASSY, GEAR	1							
17	3	129900-77510	PINION ASSY, W/CLUTCH	1							
18	4	129900-77540	SHAFT, PINION	1							
19	4	129900-77550	STOPPER SET, PINION	1							
20	4	129900-77520	CLUTCH ASSY	1							
21	4	171008-77730	BEARING, BALL	1							
22	4	171008-77740	BEARING, BALL	1							
23	4	129900-77610	RETAINER, BEARING	1							
24	3	129900-77710	CASE, GEAR	1							
25	2	171008-77750	COVER, TERMINAL	1							
26	1	26116-120302	BOLT, M12X 30 PLATED	2							

Fig.16. (14A)STARTING MOTOR



No.	Lev.	Parts No.	Description	Q'ty						I	R
				(A)	(B)	(C)	(D)	(E)	(F)		
1	1	129900-77040	STARTER ASSY	1							
2	2	129900-77120	ARMATURE ASSY	1							
3	3	171008-77410	BEARING, BALL	1							
4	3	171008-77420	BEARING, BALL	1							
5	2	129900-77130	YOKE ASSY	1							
6	3	129900-77140	COIL ASSY, FIELD	1							
7	4	129900-77450	BRUSH	2							
8	4	171008-77450	SCREW, CORE SET	4							
9	2	129900-77150	COVER	1							
10	2	129900-77160	HOLDER ASSY, BRUSH	1							
11	3	X2130631300	SPRING, BRUSH	4							
12	3	129900-77450	BRUSH	2							
13	2	129900-77170	CLUTCH ASSY	1							
14	3	129900-77180	CLUTCH ASSY	1							
15	4	129900-77190	BEARING, BALL	1							
16	4	X2114955020	BEARING, BALL	1							
17	3	129900-77270	SHAFT, PINION	1							
18	3	171008-77670	STOPPER SET, PINION	1							
22	2	129900-77280	SWITCH ASSY, MAGNET	1							
23	2	129900-77290	CASE, GEAR	1							
24	2	129900-77380	RETAINER, BEARING	1							
25	2	129900-77390	LEVER ASSY, SHIFT	1							
26	2	129900-77420	COVER KIT, DUST	1							
27	2	129900-77430	SCREW, M4X10	2							
28	2	129685-77640	BOLT, THROUGH	2							
29	2	171008-77750	COVER, TERMINAL	1							
30	1	26116-120302	BOLT, M12X 30 PLATED	2							

Fig.15. GASKET SET



Remarks
(1) OPTIONAL PART.

No.	Lev.	Parts No.	Description	Q'ty						I	R
				(A)	(B)	(C)	(D)	(E)	(F)		
1	1	729900-92730	GASKET SET	1							1
2	2	24311-000070	O-RING, 1AP7.0	1							
3	2	124240-01883	GASKET	1							
4	2	129907-01331	GASKET, HEAD	1							
5	2	124160-11340	SEAL, VALVE STEM	8							
6	2	119802-11870	PROTECTOR, NOZZLE	4							
7	2	119625-11880	SEAT, NOZZLE	4							
8	2	129907-11310	GASKET, BONNET	1							
9	2	129907-12110	GASKET, MANIFOLD	1							
10	2	129900-13251	GASKET, EXH.MANIFOLD	1							
11	2	121850-49540	GASKET, THERMOSTAT	1							
12	2	119803-11340	SEAL, VALVE STEM	8							
13	2	129900-32030	O-RING, P20	2							
14	2	129900-32040	O-RING, P14	1							
15	2	129900-42020	GASKET, WATER PUMP	1							
16	2	24341-000240	O-RING, 1AS24.0	1							
17	2	121850-49550	GASKET, THERMOSTAT	1							
18	2	121850-77021	GASKET, AIR HEATER	1							
19	2	24341-000530	O-RING, 1AS53.0	1							
20	2	124465-44950	GASKET, 16	1							
21	2	129900-49870	GASKET, THERMOSTAT	1							
22	2	24311-000120	O-RING, 1AP12.0	8							
23	2	24311-000320	O-RING, 1AP32.0	2							
24	2	22190-080002	WASHER, SEAL 6	7							
25	2	22190-220002	WASHER, SEAL 22	1							
26	2	24351-030750	O-RING, 1A3075	1							
27	2	123907-59550	GASKET	5							
28	1	129400-92450	HONE, FLEX	1							1
29	1	977770-1207F	GASKET, LIQUID	1							1

Parts No. Index

Parts No.	Fig. No.	Ref. No.	Parts No.	Fig. No.	Ref. No.	Parts No.	Fig. No.	Ref. No.	Parts No.	Fig. No.	Ref. No.
114250-39450	8	11	123907-03140	4	57	129795-01900	2	46	129900-77380	16	24
114250-53080	12	5	123907-11280	4	32	129900-01200	1	30	129900-77390	16	25
114250-53120	12	9	123907-11550	4	3	129900-01250	1	4	129900-77400	14	2
114250-53130	12	10	123907-11601	12	25	129900-01740	2	5	129900-77420	16	26
114250-53140	12	11	123907-11820	4	9	129900-01780	2	3	129900-77430	16	27
114250-53210	12	12	123907-11830	4	21	129900-01850	2	42	129900-77440	14	5
114250-53400	12	13	123907-39500	8	14	129900-01870	2	43	129900-77450	14	7
119000-01840	3	5	123907-59540	13	8	129900-02020	1	6			9
119000-35140	8	23	123907-59550	13	9	129900-02341	1	33		16	7
119305-59120	12	27		15	27	129900-02410	1	9			12
119593-11301	4	27	123907-59560	13	12	129900-02931	1	27	129900-77460	14	11
119620-11180	4	15	124160-01751	2	34	129900-02941	1	36	129900-77480	14	8
119620-49290	9	27		4	49	129900-13251	5	8	129900-77510	14	17
119625-11880	4	25	124160-11340	4	16		15	10	129900-77520	14	20
	15	7		15	5	129900-14100	6	6	129900-77540	14	18
119640-01640	3	8	124160-11360	4	63	129900-21200	7	3	129900-77550	14	19
119640-61400	4	60	124240-01871	2	36	129900-23001	7	22	129900-77591	14	12
119653-77950	11	100	124240-01883	2	37	129900-23200	7	26	129900-77610	14	23
119660-61901	11	60		15	3	129900-23601	7	27	129900-77620	14	13
119773-59123	13	4	124411-01780	3	6	129900-23611	7	29	129900-77640	14	15
119802-11870	4	46	124465-44950	9	26	129900-23911	7	25	129900-77650	14	14
	15	6		15	20	129900-25100	6	10	129900-77700	14	16
119802-51590	10	60	127410-21480	7	13	129900-32001	2	8	129900-77710	14	24
119802-51600	10	61	129001-91810	2	24	129900-32030	2	21	129902-01710	3	7
119802-51680	10	65		25	25		8	5	129902-21000	7	1
119802-51690	10	66	129004-55612	13	1		15	13	129902-21580	7	11
119802-55810	13	2	129005-59830	8	16	129900-32040	2	22	129906-51580	10	58
119803-11340	4	17	129052-42290	9	14		15	14	129907-01190	1	32
	15	12	129100-01580	2	4	129900-34800	8	3	129907-01331	1	31
119807-61420	11	23		3	1	129900-35000	8	6		15	4
119810-77340	9	34	129150-02450	6	4	129900-42002	9	1	129907-01500	2	7
120130-22301	7	20	129150-11230	4	35	129900-42020	9	10	129907-01950	10	126
121023-01551	2	39		39	39		15	15	129907-01960	10	127
121450-42450	9	25	129150-11750	4	20	129900-42461	9	13	129907-03011	4	51
121520-34810	8	2		36	36	129900-49870	9	23	129907-03061	4	52
121850-21130	7	10		40	40		15	21	129907-03070	4	53
121850-21290	7	4	129150-14200	6	1	129900-77010	14	1	129907-07900	4	1
121850-21920	7	5	129150-25920	6	13	129900-77040	16	1	129907-11100	4	24
121850-49540	9	18	129150-35170	8	24	129900-77120	16	2	129907-11110	4	13
	15	11	129150-59131	12	30	129900-77130	16	5	129907-11120	4	14
121850-49550	9	16		34	34	129900-77140	16	6	129907-11250	4	29
	15	17	129155-51280	11	5	129900-77150	16	9	129907-11260	4	30
121850-77021	5	5	129155-61460	11	28	129900-77160	16	10	129907-11270	4	31
	15	18	129255-61410	11	22	129900-77170	16	13	129907-11310	4	59
121850-77100	5	6	129400-92450	15	28	129900-77180	16	14		15	8
122780-59100	12	26	129495-59553	13	10	129900-77190	16	15	129907-11320	4	50
123900-25060	6	9	129550-59120	12	31	129900-77270	16	17	129907-11341	4	28
123907-03100	4	54	129570-59121	13	5	129900-77280	16	22	129907-11510	4	18
123907-03110	4	55	129670-51600	10	69	129900-77290	16	23	129907-11650	4	33
123907-03120	4	56	129685-77640	16	28	129900-77330	9	32	129907-11660	4	37

Parts No. Index

Parts No.	Fig. No.	Ref. No.
129907-11700	4	4
129907-11800	4	8
129907-11910	4	66
129907-11920	4	41
129907-11950	4	47
129907-12110	5	2
	15	9
129907-14400	6	2
129907-14581	6	3
129907-22050	7	16
129907-22090	7	14
129907-25900	6	15
129907-39061	8	12
129907-51340	10	33
129907-51560	10	55
129907-59140	13	7
129907-59710	12	35
129907-59810	12	37
129907-59820	12	38
129907-59830	12	39
129907-59840	12	40
129908-14581	6	3 -1
129910-07900	4	67
129916-21610	7	9
129916-59020	10	124
129927-42140	2	22 A
129937-53000	12	2
129937-61440	11	25
129944-12110	5	1
129946-61061	11	86
129951-01620	3	2
129953-25300	6	16
129955-49800	9	15
129960-21640	7	7
129963-21650	7	8
129980-49530	9	17
144626-51090	10	12
158552-51570	10	56
158552-51580	10	59
158552-51670	10	4
158552-51781	10	97
158552-52100	10	103
158552-52310	10	105
158552-52400	10	106
158552-52500	10	104
158552-61900	11	74
158553-51630	10	71
158553-51660	10	74
158553-51670	10	64
158553-51680	10	75

Parts No.	Fig. No.	Ref. No.
158557-51570	10	57
158560-51300	10	24
158560-51600	10	70
158560-61050	11	2
158560-61071	11	3
158560-61430	11	24
158563-51150	6	17
158563-51281	10	22
		23
158563-51330	10	32
158600-51270	10	21
158601-51550	10	54
158601-51650	10	73
158601-51770	10	96
158601-51790	10	98
171008-77410	16	3
171008-77420	16	4
171008-77450	14	6
	16	8
171008-77670	16	18
171008-77730	14	21
171008-77740	14	22
171008-77750	14	25
	16	29
171051-01921	1	5
22190-080002	8	17
		19
		21
	13	13
	15	24
22190-120002	10	99
		108
		109
22190-160002	11	78
22190-180002	10	100
22190-220002	3	10
	15	25
22217-180000	6	18
	10	110
22252-000300	7	21
22312-050140	10	111
22351-050010	10	112
22351-060012	1	10
22512-070140	6	7
	7	6
22857-500100	4	61
		62
23000-013000	13	11
23000-016000	13	6
23857-030000	8	18

Parts No.	Fig. No.	Ref. No.
23857-060000	10	113
23875-030000	9	20
23876-020000	4	10
23876-030000	1	11
		12
		13
	4	11
23887-120002	10	101
23887-160002	11	81
24311-000070	2	23
	10	114
	15	2
24311-000120	4	26
		64
	15	22
24311-000320	2	35
	4	65
	15	23
24341-000240	2	40
	15	16
24341-000530	7	37
	15	19
24351-030750	2	26
	15	26
24356-010200	10	67
		115
24356-020210	10	116
24372-000150	10	68
26014-080252	9	33
26106-060102	10	117
	11	64
		65
26106-060142	11	82
26106-060162	2	41
	12	41
26106-060202	9	21
26106-060252	11	83
26106-060302	9	11
26106-060352	10	118
26106-060402	11	84
26106-060552	9	22
26106-080122	3	11
	8	1
		20
		22
	9	31
26106-080142	5	7
26106-080162	2	27
		28
		38

Parts No.	Fig. No.	Ref. No.
26106-080162	2	44
	4	2
	6	8
	10	128
26106-080182	12	42
26106-080202	2	29
26106-080222	10	129
		130
26106-080302	13	3
26106-080402	2	30
		31
	4	43
26106-080452	2	32
	5	3
26106-080552	6	14
	9	12
26106-080602	4	44
		45
26106-080702	9	24
26106-080802	5	4
26106-100202	10	131
26116-120302	14	26
	16	30
26206-100352	3	4
26216-100302	2	20
26226-080222	4	42
26306-080002	4	48
26306-100002	2	33
26450-100452	10	121
26756-060002	11	66
26776-180002	6	19
	10	122
27241-300000	1	14
27241-400000	4	12
27310-070001	4	22
729900-02801	1	24
729900-92730	15	1
729907-01560	1	1
729907-01570	2	1
729907-22910	7	31
729907-22950	7	33
729946-51310	10	1
729946-53300	12	1
977770-01212	3	12
977770-1207F	2	45
	4	68
	15	29
X2114155110	14	3
X2114255110	14	4
X2114955020	16	16

Parts No. Index

Parts No.	Fig. No.	Ref. No.
X2130631300	14	10
	16	11

Parts No.	Fig. No.	Ref. No.
-----------	----------	----------

Parts No.	Fig. No.	Ref. No.
-----------	----------	----------

Parts No.	Fig. No.	Ref. No.
-----------	----------	----------