

0CW10-M15100EN

PREFACE

1. This parts catalog is the 1st edition of 4TNV98-XAT for Agritech Ltd.

Pub.No. : 000Y00W1510

Published : December,2006

2. Model name

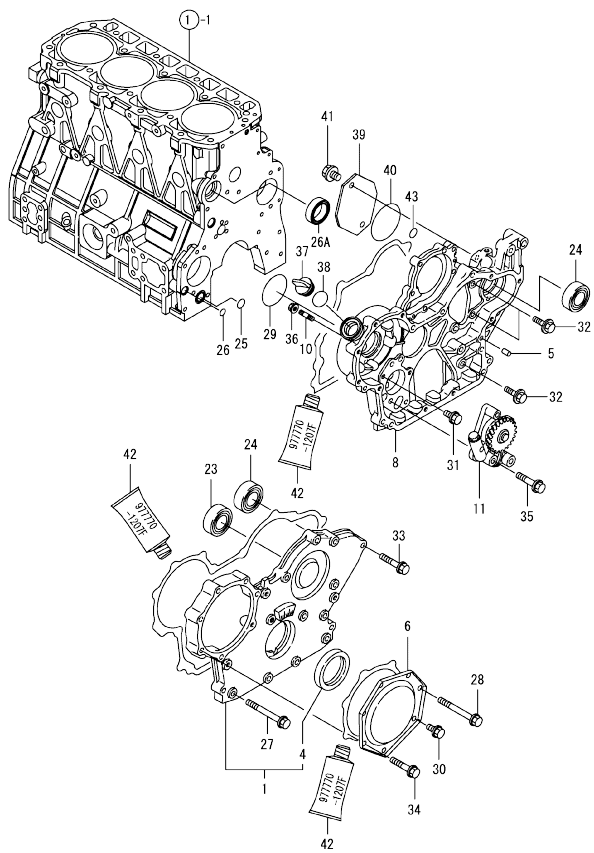
Engine model	Vehicle		Vehicle made by
	Products	Model name	
4TNV98-XAT	Tractor	1170-DT	Agritech Ltd.

Contents

0CW10-M15100

Fig. No.	Fig. Name	Fig. No.	Fig. Name
4TNV98-XAT			
1.	CYLINDER BLOCK		
2.	GEAR HOUSING		
3.	OIL SUMP		
4.	CYLINDER HEAD & BONNET		
5.	SUCTION & EXHAUST MANIFOLD		
6.	CAMSHAFT & DRIVING GEAR		
7.	CRANKSHAFT & PISTON		
8.	BALANCER		
9.	LUB.OIL SYSTEM		
10.	COOLING WATER SYSTEM		
11.	FUEL INJECTION PUMP		
12.	GOVERNOR		
13.	FUEL INJECTION VALVE		
14.	FUEL LINE		
15.	GASKET SET		

Fig.2. GEAR HOUSING



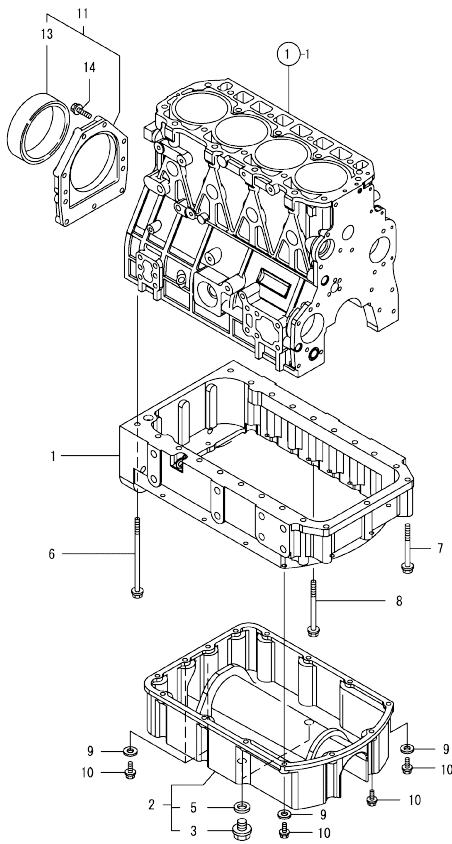
(A)=4TNV98-XAT
(B)=
(C)=

(D)=
(E)=
(F)=

No.	Lev.	Parts No.	Description	Qty						I	R	
				(A)	(B)	(C)	(D)	(E)	(F)			
1	1	729907-01559	COVER ASSY,GEAR CASE	1								
4	2	129916-01800	SEAL, OIL	1								
5	1	129100-01580	PIN, PARALLEL 8X16	4								
6	1	129900-01740	COVER	1								
8	1	129962-01500	CASE, GEAR	1								
10	1	26216-100302	STUD, M10X 30	4								
11	1	129956-32001	PUMP ASSY, OIL	1								
23	1	129900-14140	BEARING, BALL 6205	1								
24	1	129900-26250	BEARING, BALL 6206C3	2								
25	1	129900-32030	O-RING, P20	1								
26	1	129900-32040	O-RING, P14	1								
26A	1	129927-42140	GASKET, PUMP OUTLET	1								W
(A=ET5606)												
27	1	129001-91810	BOLT, M8X70	6								
28	1	129001-91810	BOLT, M8X70	1								
29	1	24351-030750	O-RING, 1A3075	1								
30	1	26106-080162	BOLT, M8X 16 PLATED	1								
31	1	26106-080162	BOLT, M8X 16 PLATED	1								
32	1	26106-080202	BOLT, M8X 20 PLATED	3								
33	1	26106-080402	BOLT, M8X 40 PLATED	5								
34	1	26106-080402	BOLT, M8X 40 PLATED	5								
35	1	26106-080452	BOLT, M8X 45 PLATED	3								
36	1	26306-100002	NUT, M10	4								
37	1	124160-01751	CAP, FILLER	1								
38	1	24311-000320	O-RING, 1AP32.0	1								
39	1	121023-26070	COVER, PUMP	1								
40	1	24321-000850	O-RING, 1AG85.0	1								
41	1	26106-100202	BOLT, M10X 20 PLATED	2								
42	1	977770-1207F	GASKET,LIQUID	1								1
43	1	24311-000070	O-RING, 1AP7.0	1								

Remarks
(1) OPTIONAL PART.

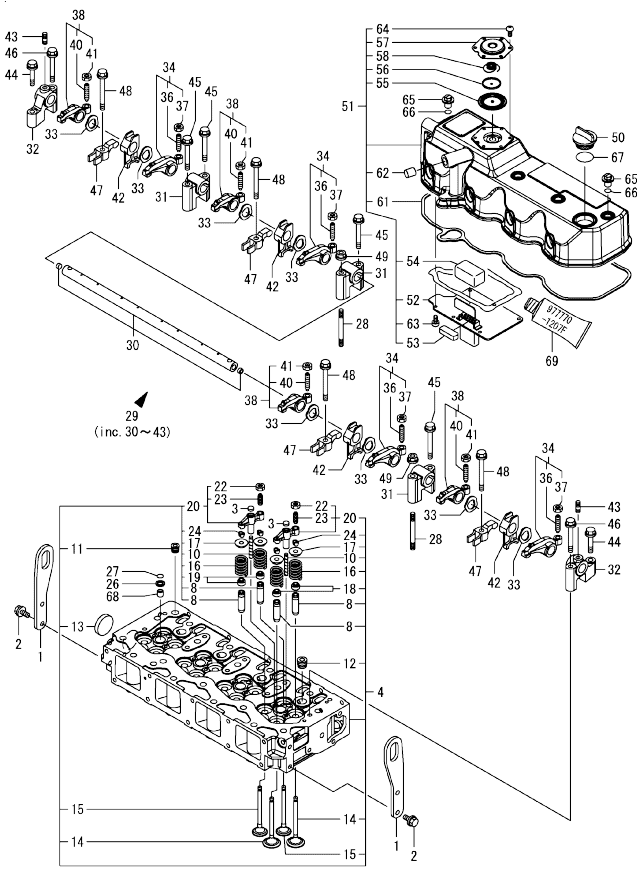
Fig.3. OIL SUMP



No.	Lev.	Parts No.	Description	Q'ty						I	R
				(A)	(B)	(C)	(D)	(E)	(F)		
1	1	129956-01730	OIL PAN	1							
2	1	129956-01760	COVER ASSY, OIL SUMP	1							
3	2	105425-01690	PLUG, M16	2							
5	2	22190-160002	WASHER, SEAL 16	2							
6	1	129972-01731	BOLT, M8X150	2							
7	1	129001-91841	BOLT, M8X87	3							
8	1	129693-44310	BOLT	16							
9	1	22190-080002	WASHER, SEAL 8	4							
10	1	26106-080252	BOLT, M8X 25 PLATED	14							
11	1	129956-01640	CASE ASSY, OIL SEAL	1							
13	2	124411-01780	SEAL, HTC95X115X12	1							
14	1	26106-080302	BOLT, M8X 30 PLATED	9							

Remarks
 (1) OPTIONAL PART.

Fig.4. CYLINDER HEAD & BONNET



(A)=4TNV98-XAT
(B)=
(C)=

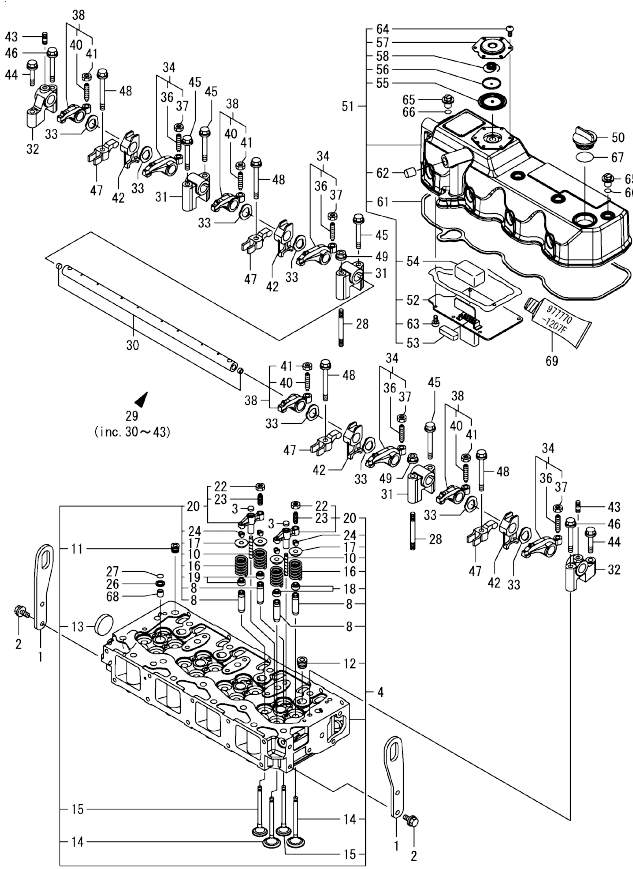
(D)=
(E)=
(F)=

No.	Lev.	Parts No.	Description	Q'ty						I	R
				(A)	(B)	(C)	(D)	(E)	(F)		
1	1	129907-07900	LIFTER, ENGINE	2							
2	1	26106-080162	BOLT, M8X 16 PLATED	4							
3	1	123907-11550	SEAT, VALVE BRIDGE	8							
4	1	129907-11700	HEAD ASSY, CYLINDER	1							1
8	2	129907-11800	GUIDE, VALVE	16							
10	2	123907-11820	GUIDE, BRIDGE	8							
11	2	23876-020000	PLUG, R02	1							
12	2	23876-030000	PLUG, R03	4							
13	2	27241-400000	PLUG, 40	1							
14	2	129907-11100	VALVE, SUCTION	8							
15	2	129907-11110	VALVE, EXHAUST	8							
16	2	129907-11120	SPRING, VALVE	16							
17	2	119620-11180	RETAINER, SPRING	16							
18	2	124160-11340	SEAL, VALVE STEM	8							
19	2	119803-11340	SEAL, VALVE STEM	8							
20	2	129907-11510	BRIDGE ASSY, VALVE	8							
22	3	129150-11750	NUT, M8	8							
23	3	123907-11830	ADJUSTER	8							
24	2	27310-070001	COTTER, 7	16							
26	1	119625-11880	SEAT, NOZZLE	4							
27	1	24311-000120	O-RING, 1AP12.0	4							
28	1	119593-11301	BOLT, STUD M8X80	2							
29	1	129907-11341	SHAFT ASSY, ROCKER	1							
30	2	129907-11250	SHAFT, ROCKER ARM	1							
31	2	129907-11260	SUPPORT, ROCKER ARM	3							
32	2	129907-11270	SUPPORT, ROCKER ARM	2							
33	2	123907-11280	WASHER	8							
34	2	129907-11650	ARM ASSY, ROCKER	4							
36	3	129150-11230	SCREW, VALVE ADJUST	4							
37	3	129150-11750	NUT, M8	4							
38	2	129907-11660	ARM ASSY, ROCKER	4							
40	3	129150-11230	SCREW, VALVE ADJUST	4							
41	3	129150-11750	NUT, M8	4							
42	2	129907-11920	RETAINER, NOZZLE	4							
43	2	26226-080222	STUD, M8X 22	2							
44	1	26106-080402	BOLT, M8X 40 PLATED	2							
45	1	26106-080602	BOLT, M8X 60 PLATED	4							
46	1	26106-080602	BOLT, M8X 60 PLATED	2							
47	1	129907-11910	RETAINER, NOZZLE	4							
48	1	129907-11950	BOLT, M8X75	4							
49	1	26306-080002	NUT, M8	2							
50	1	124160-01751	CAP, FILLER	1							
51	1	129907-11320	BONNET ASSY, HEAD	1							
52	2	129907-03011	PLATE, BAFFLE	1							
53	2	129907-03061	BAFFLE, BREATHER	1							
54	2	129907-03070	BAFFLE, BREATHER	1							
55	2	123907-03100	DIAPHRAGM	1							
56	2	123907-03110	PLATE	1							
57	2	123907-03120	PLATE, BREATHER	1							
58	2	123907-03140	SPRING, DIAPHRAGM	1							
61	2	129907-11310	GASKET, BONNET	1							

Remarks

- (1) REPAIR PART.
- (2) OPTIONAL PART.

Fig.4. CYLINDER HEAD & BONNET



(A)=4TNV98-XAT
(B)=
(C)=

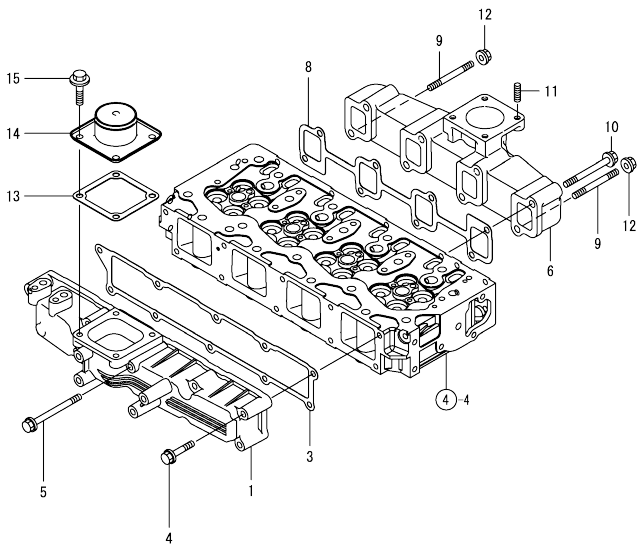
(D)=
(E)=
(F)=

No.	Lev.	Parts No.	Description	Q'ty						I	R
				(A)	(B)	(C)	(D)	(E)	(F)		
62	2	119640-61400	PLUG	1							
63	2	22857-500100	SCREW, 5X10	6							
64	2	22857-500100	SCREW, 5X10	6							
65	1	124160-11360	KNOB	4							
66	1	24311-000120	O-RING, 1AP12.0	4							
67	1	24311-000320	O-RING, 1AP32.0	1							
68	1	119802-11870	PROTECTOR, NOZZLE	4							
69	1	977770-1207F	GASKET, LIQUID	1							2

Remarks

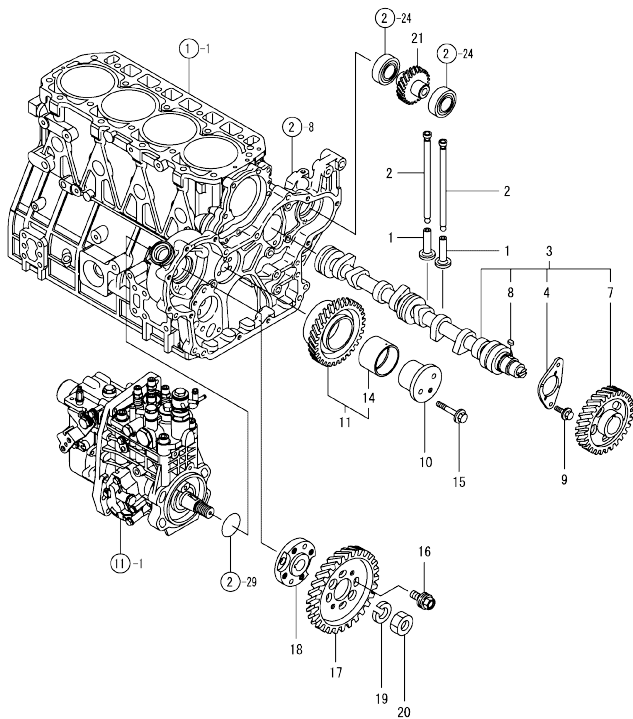
- (1) REPAIR PART.
- (2) OPTIONAL PART.

Fig.5. SUCTION & EXHAUST MANIFOLD



No.	Lev.	Parts No.	Description	Q'ty						I	R
				(A)	(B)	(C)	(D)	(E)	(F)		
1	1	129907-12100	MANIFOLD, AIR INTAKE	1							
3	1	129907-12110	GASKET, MANIFOLD	1							
4	1	26106-080552	BOLT, M8X 55 PLATED	9							
5	1	26106-080852	BOLT, M8X 85 PLATED	1							
6	1	129900-13200	MANIFOLD, EXHAUST	1							
8	1	129900-13251	GASKET, EXH.MANIFOLD	1							
9	1	123900-13610	BOLT, STUD M8X80	2							
10	1	123900-13630	BOLT, M8X80	6							
11	1	119131-18320	BOLT, STUD M8X22	4							
12	1	26306-080002	NUT, M8	2							
13	1	121850-77021	GASKET, AIR HEATER	1							
14	1	121850-77100	SLEEVE, PIPE	1							
15	1	26106-080142	BOLT, M8X 14 PLATED	4							

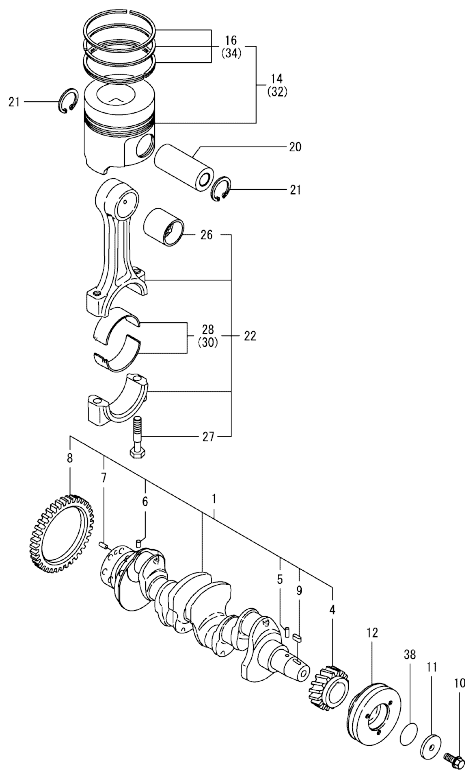
Fig.6. CAMSHAFT & DRIVING GEAR



No.	Lev.	Parts No.	Description	Q'ty						I	R
				(A)	(B)	(C)	(D)	(E)	(F)		
1	1	129150-14200	TAPPET	8							
2	1	129907-14400	PUSH-ROD	8							
3	1	129907-14581	CAMSHAFT ASSY	1							
3-1	1	129908-14581	CAMSHAFT ASSY	1							N
4	2	129150-02450	BEARING, THRUST	1							
7	2	129900-14100	GEAR, CAMSHAFT	1							
8	2	22512-070140	KEY, 7X 14	1							
9	1	26106-080162	BOLT, M8X 16 PLATED	2							
10	1	123900-25060	SHAFT, IDLE GEAR	1							
11	1	129900-25100	GEAR ASSY, IDLE	1							
14	2	129150-25920	BUSH, IDLE GEAR	1							1
15	1	26106-080552	BOLT, M8X 55 PLATED	3							
16	1	129953-25300	BOLT	4							
17	1	129907-25900	GEAR, PUMP	1							
18	1	158563-51150	FLANGE	1							
19	1	22217-180000	WASHER, SPRING 18	1							
20	1	26776-180002	NUT, LOCK M18	1							
21	1	129980-26200	GEAR, PUMP	1							

Remarks
(1) REPAIR PART.

Fig.7. CRANKSHAFT & PISTON



(A)=4TNV98-XAT
(B)=
(C)=

(D)=
(E)=
(F)=

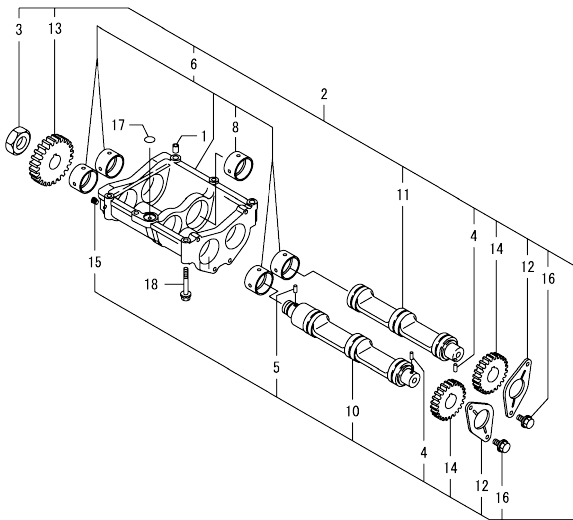
No.	Lev.	Parts No.	Description	Q'ty						I	R
				(A)	(B)	(C)	(D)	(E)	(F)		
1	1	129956-21000	CRANKSHAFT ASSY	1							
4	2	129900-21200	GEAR, CRANKSHAFT	1							
5	2	121850-21290	PIN	1							
6	2	121850-21290	PIN	1							
7	2	121850-21920	PIN, PARALLEL 10X22	1							
8	2	129956-28321	GEAR, BALANCER	1							
9	2	22512-070140	KEY, 7X 14	1							
10	1	129916-21610	BOLT	1							
11	1	129960-21640	WASHER	1							
12	1	129907-21650	V-PULLEY, CRANK 130	1							
14	1	129963-22080	PISTON ASSY, 18.5	4							
16	2	129907-22050	RING SET, PISTON	4							
20	1	120130-22301	PIN, PISTON	4							
21	1	22252-000300	RING, 30	8							
22	1	129900-23001	ROD ASSY, CONNECTING	4							
26	2	129900-23911	BEARING, PISTON PIN	4							1
27	2	129900-23200	BOLT, CONNECTING ROD	8							
28	2	129900-23601	BEARING, CRANK PIN	4							
30	1	129900-23611	BEARING ASSY, 0.25US	4							2
32	1	729963-22900	PISTON ASSY, 0.25 OS	4							3
34	2	729907-22950	RING SET, 0.25 OS	4							3
38	1	24341-000530	O-RING, 1AS53.0	1							

Remarks

- (1) REPAIR PART.
- (2) UNDER-SIZE(U.S=0.25)PART.
- (3) OVER-SIZE(O.S=0.25)PART.

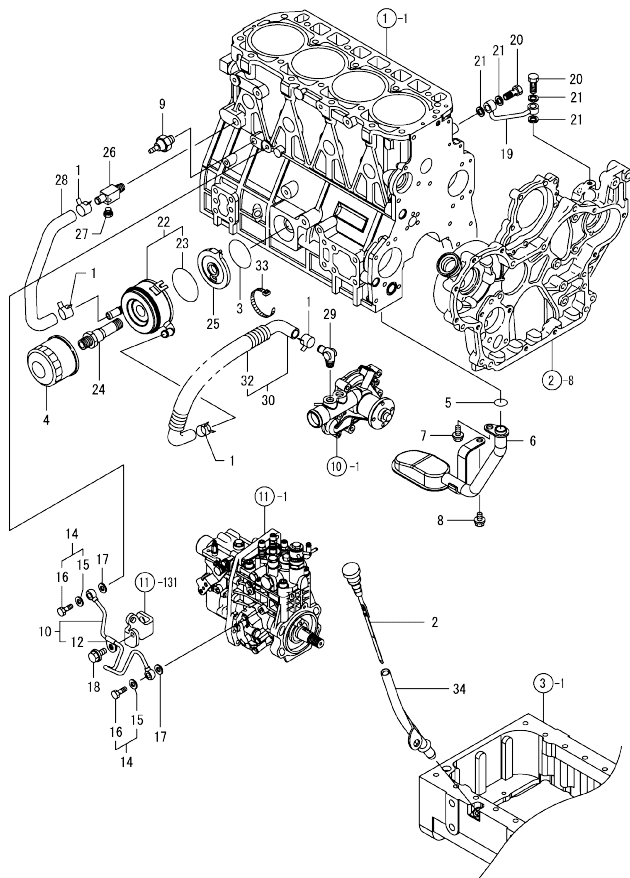
0CW10-M15100 4TNV98-XAT
 Fig.8. BALANCER

0CW10-M15100 Fig.8



No.	Lev.	Parts No.	Description	Q'ty						I	R
				(A)	(B)	(C)	(D)	(E)	(F)		
1	1	129795-01960	PIPE, DOWEL 11X12	2							
2	1	129956-28009	BALANCER ASSY	1							
2-1	1	129956-28030	BALANCER ASSY	1							R
(A=E128916)											
3	2	128610-14120	NUT, END	1							
4	2	121850-21290	PIN	2							
5	2	121850-21290	PIN	1							
6	2	129956-28019	CASE ASSY, BALANCER	1							
6-1	2	129956-28040	CASE ASSY, BALANCER	1							R
(A=E128916)											
8	3	129956-28200	BUSH, BALANCER	2							
8-1	3	129956-28210	BUSH, BALANCER A	2							R
(A=E128916)											
10	2	129956-28101	SHAFT, BALANCER	1							
11	2	129956-28111	SHAFT, BALANCER	1							
12	2	129956-28180	PLATE, THRUST	2							
13	2	129956-28332	GEAR, BALANCER	1							
14	2	129956-28341	GEAR, BALANCER	2							
15	2	23876-005000	PLUG, R005	1							
16	2	26106-080162	BOLT, M8X 16 PLATED	4							
17	1	24311-000200	O-RING, 1AP20.0	1							
18	1	26106-080602	BOLT, M8X 60 PLATED	6							

Fig.9. LUB.OIL SYSTEM



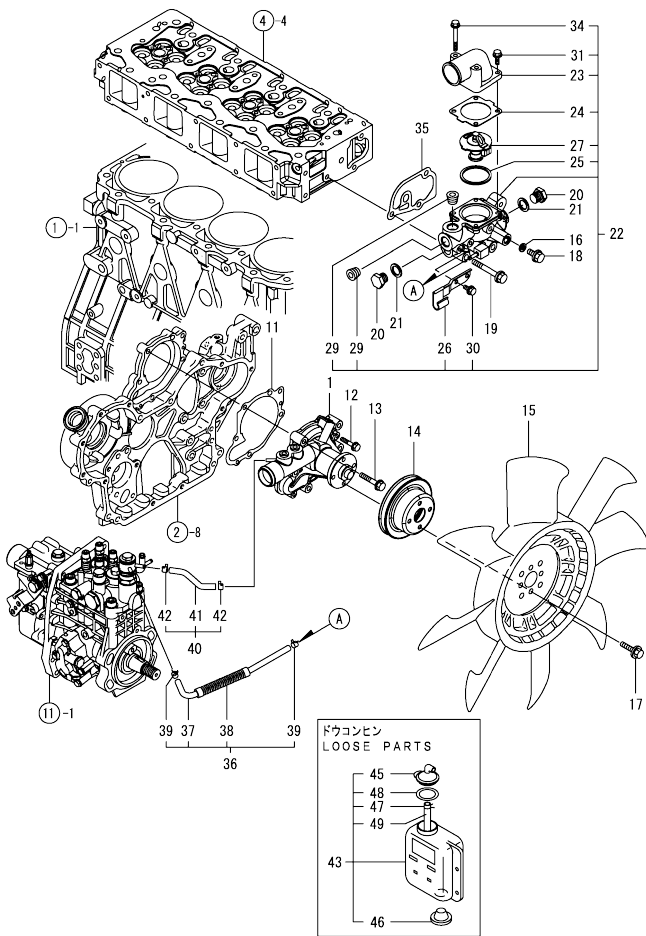
(A)=4TNV98-XAT
(B)=
(C)=

(D)=
(E)=
(F)=

No.	Lev.	Parts No.	Description	Qty						I	R
				(A)	(B)	(C)	(D)	(E)	(F)		
1	1	23000-025000	CLAMP, 25	4							
2	1	129963-34800	DIPSTICK, OIL	1							
3	1	24321-000600	O-RING, 1AG60.0	1							
4	1	129150-35170	FILTER,LO	1							
5	1	129900-32030	O-RING, P20	1							
6	1	129956-35100	PIPE ASSY, OIL INLET	1							
7	1	26106-080142	BOLT, M8X 14 PLATED	1							
8	1	26106-080202	BOLT, M8X 20 PLATED	1							
9	1	114250-39450	SWITCH, HYDRAULIC	1							
10	1	129907-39061	PIPE ASSY, OIL	1							
12	2	123907-39500	RETAINER, PIPE	1							
14	1	129005-59830	BOLT ASSY, JOINT M8	2							
15	2	22190-080002	WASHER, SEAL 6	2							
16	2	23857-030000	BOLT, JOINT 3	2							
17	1	22190-080002	WASHER, SEAL 6	2							
18	1	26106-080122	BOLT, M8X 12 PLATED	1							
19	1	129930-39050	PIPE, OIL	1							
20	1	105010-39140	BOLT, PIPE JOINT	2							
21	1	22190-080002	WASHER, SEAL 6	4							
22	1	129908-33010	COOLER ASSY, OIL	1							
23	2	123912-33050	O-RING	1							
24	1	123912-33100	BOLT, COOLER	1							
25	1	129908-33101	BRACKET, OIL COOLER	1							
26	1	129006-44480	JOINT	1							
27	1	171056-49120	PLUG, DRAIN R1/4	1							
28	1	129908-49060	HOSE, WATER	1							
29	1	129466-49300	ELBOW, PT3/8	1							
30	1	123910-49600	HOSE ASSY, WATER	1							
32	2	123910-49610	TUBE, CORRUGATED	1							
33	1	121750-59890	BAND, NYLON	1							
34	1	119860-34810	GUIDE, DIPSTICK	1							

Remarks
(1) REPAIR PART.

Fig.10. COOLING WATER SYSTEM

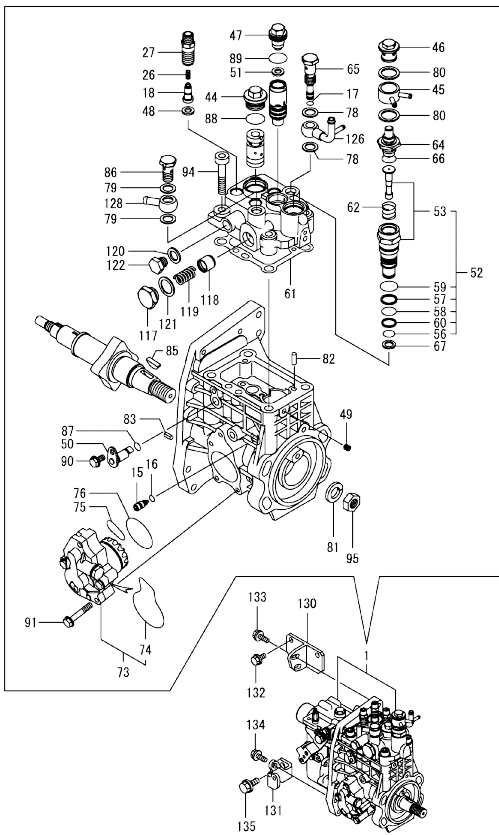


(A)=4TNV98-XAT
(B)=
(C)=

(D)=
(E)=
(F)=

No.	Lev.	Parts No.	Description	Q'ty						I	R
				(A)	(B)	(C)	(D)	(E)	(F)		
1	1	129907-42000	PUMP ASSY, WATER	1							
11	1	129900-42020	GASKET, WATER PUMP	1							
12	1	26106-060302	BOLT, M6X 30 PLATED	2							
13	1	26106-080552	BOLT, M8X 55 PLATED	5							
14	1	129900-42450	V-PULLEY, C.W.PUMP	1							
15	1	119130-44740	FAN, COOLING D=410	1							
16	1	23414-080000	GASKET, 8X1.0	1							
17	1	26106-080122	BOLT, M8X 12 PLATED	4							
18	1	26106-080122	BOLT, M8X 12 PLATED	1							
19	1	26106-080602	BOLT, M8X 60 PLATED	3							
20	1	121450-42450	PLUG, M16	2							
21	1	124465-44950	GASKET, 16	2							
22	1	129940-49800	CASE ASSY, THERMOSTAT	1							
23	2	129980-49530	COVER, THERMOSTAT	1							
24	2	121850-49540	GASKET, THERMOSTAT	1							
25	2	121850-49550	GASKET, THERMOSTAT	1							
26	2	129907-49730	RETAINER, PIPE	1							
27	2	121850-49810	THERMOSTAT, 71C	1							
29	2	23875-030000	PLUG, R03	2							
30	2	26106-060122	BOLT, M6X 12 PLATED	1							
31	2	26106-060202	BOLT, M6X 20 PLATED	2							
34	2	26106-060552	BOLT, M6X 55 PLATED	2							
35	1	129900-49870	GASKET, THERMOSTAT	1							
36	1	129907-49610	HOSE ASSY, WATER	1							
37	2	129907-49710	HOSE, WATER	1							
38	2	129907-49750	TUBE, CORRUGATED	1							
39	2	124722-59050	CLAMP, HOSE 9	2							
40	1	129907-49620	HOSE ASSY, WATER	1							
41	2	129907-49720	HOSE, WATER	1							
42	2	124722-59050	CLAMP, HOSE 9	2							
43	1	121468-44510	TANK ASSY, SUB	1							
45	2	121450-44531	CAP	1							
46	2	121468-44540	PLUG	1							
47	2	124450-44560	CLAMP, HOSE	1							
48	2	121470-44581	GASKET	1							
49	2	23065-070130	PIPE, 7X 130	1							

Fig.11. FUEL INJECTION PUMP



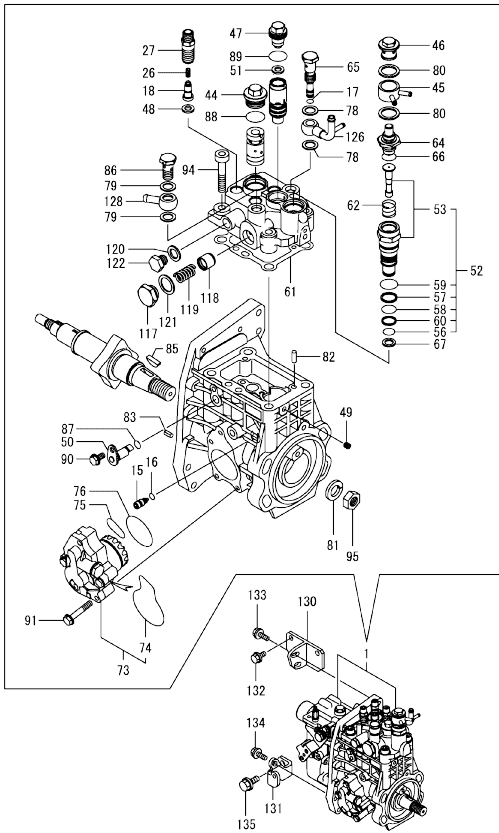
(A)=4TNV98-XAT
(B)=
(C)=

(D)=
(E)=
(F)=

No.	Lev.	Parts No.	Description	Qty						I	R	
				(A)	(B)	(C)	(D)	(E)	(F)			
1	1	729963-51400	PUMP ASSY, INJECTION	1							1	
15	2	158600-51270	STOPPER, TAPPET	1								
16	2	158563-51281	O-RING, 4D S6	1								
17	2	158563-51281	O-RING, 4D S6	1								
18	2	158560-51300	VALVE ASSY, DELIVERY	4								
26	2	158563-51330	SPRING, DELIVERY	4								
27	2	129907-51340	HOLDER, DELIVERY	4								
44	2	158601-51550	PLUG, M22	1								
45	2	158553-51551	JOINT, COOLING WATER	1								
46	2	158601-51570	PLUG	1								
47	2	129907-51560	PLUG, M16	1								
48	2	158552-51570	GASKET, PLUG	4								
49	2	158557-51570	PLUG, RACK	1								
50	2	158552-51580	LIFTER, LINK	1								
51	2	129906-51580	GASKET, PLUG	1								
52	2	119802-51590	TIMER ASSY	1								
53	3	119802-51600	TIMER ASSY	1								
56	3	158553-51670	O-RING	1								
57	3	119802-51680	RING, BACKUP	1								
58	3	119802-51690	O-RING	1								
59	3	24356-010200	O-RING, 4D1020	1								
60	3	24372-000150	RING, BACK UP T2P15	1								
61	2	158560-51600	GASKET	1								
62	2	158553-51630	SPRING, TIMER	1								
64	2	158553-51640	THERMOELEMENT	1								
65	2	158601-51650	JOINT, OVER FLOW	1								
66	2	158553-51660	O-RING, P14	1								
67	2	158553-51680	GASKET, TIMER	1								
73	2	158552-52100	PUMP ASSY, FUEL FEED	1								
74	3	158552-52500	O-RING	1								
75	2	158552-52310	O-RING	1								
76	2	158552-52400	O-RING, 4E S42	1								
78	2	22190-120002	WASHER, SEAL 12	2								
79	2	22190-120002	WASHER, SEAL 12	2								
80	2	22190-180002	WASHER, SEAL 18	2								
81	2	22217-180000	WASHER, SPRING 18	1								
82	2	22312-050140	PIN, PARALLEL M5X14	2								
83	2	22351-050010	PIN, SPRING 5.0X10	2								
85	2	144626-51090	FEATHER KEY, 5X19	1								
86	2	23857-060000	BOLT, JOINT 6	1								
87	2	24311-000070	O-RING, 1AP7.0	1								
88	2	24356-010200	O-RING, 4D1020	1								
89	2	24356-020210	O-RING, 4D2021	1								
90	2	26106-060102	BOLT, M6X 10 PLATED	1								
91	2	26106-060352	BOLT, M6X 35 PLATED	4								
94	2	26450-100452	BOLT, M10X 45	4								
95	2	26776-180002	NUT, LOCK M18	1								
117	2	158601-51790	PLUG	1								
118	2	158601-51770	PISTON, ACCUMULATOR	1								
119	2	158552-51781	SPRING, ACCUMULATOR	1								
120	2	22190-120002	WASHER, SEAL 12	1								

Remarks
(1) GOVERNOR ASSY(FIG.12) IS
INCORPORATED IN THIS FOP.CMP
(REF.NO.1).

Fig.11. FUEL INJECTION PUMP



(A)=4TNV98-XAT
(B)=
(C)=

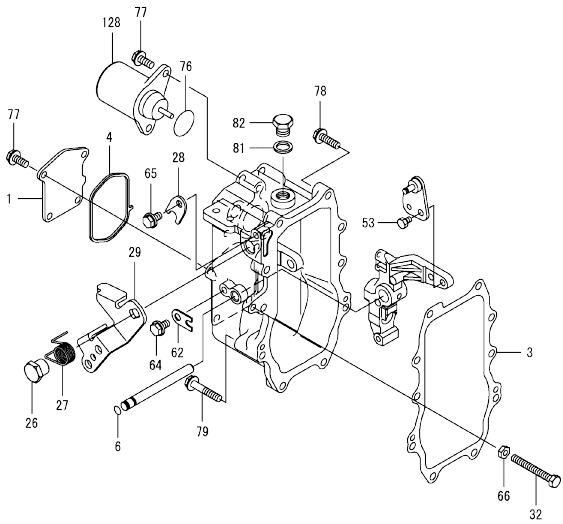
(D)=
(E)=
(F)=

No.	Lev.	Parts No.	Description	Q'ty						I	R
				(A)	(B)	(C)	(D)	(E)	(F)		
121	2	22190-180002	WASHER, SEAL 18	1							
122	2	23887-120002	PLUG, 12	1							
126	2	158552-51670	JOINT, OVER FLOW	1							
128	2	129916-59020	JOINT, PIPE 12	1							
130	1	129907-01950	RETAINER, PUMP	1							
131	1	129907-01960	RETAINER, PUMP	1							
132	1	26106-080162	BOLT, M8X 16 PLATED	2							
133	1	26106-080222	BOLT, M8X 22 PLATED	2							
134	1	26106-080222	BOLT, M8X 22 PLATED	1							
135	1	26106-100202	BOLT, M10X 20 PLATED	1							

Remarks
(1) GOVERNOR ASSY(FIG.12) IS
INCORPORATED IN THIS FOP.CMP
(REF.NO.1).

0CW10-M15100 4TNV98-XAT
 Fig.12. GOVERNOR

0CW10-M15100 Fig.12



(A)=4TNV98-XAT
 (B)=
 (C)=

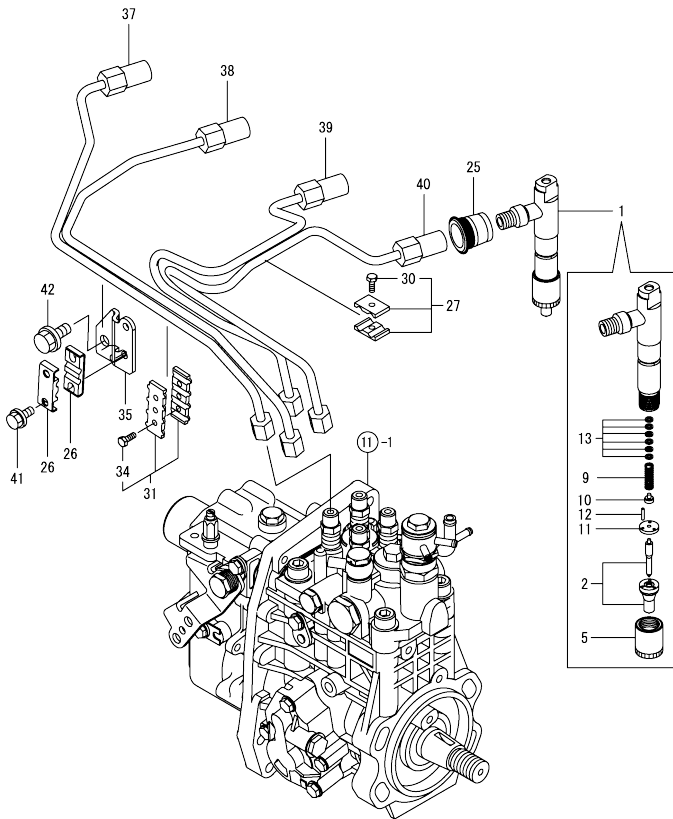
(D)=
 (E)=
 (F)=

No.	Lev.	Parts No.	Description	Q'ty					
				(A)	(B)	(C)	(D)	(E)	(F)
1	2	158560-61061	COVER, GOVERNOR CASE	1					
3	2	158560-61050	GASKET	1					
4	2	158560-61071	GASKET	1					
6	2	129155-51280	O-RING, S6	1					
26	2	129255-61410	NUT, M8	1					
27	2	119807-61420	SPRING, RETURN	1					
28	2	158560-61430	STOPPER, SHAFT	1					
29	2	158560-61442	LEVER, REGULATOR	1					
32	2	129155-61460	BOLT, LIMITING	1					
53	2	26116-060102	BOLT, M6X 10 PLATED	1					
62	2	119660-61901	STOPPER, SHAFT	1					
64	2	26106-060102	BOLT, M6X 10 PLATED	1					
65	2	26106-060102	BOLT, M6X 10 PLATED	1					
66	2	26756-060002	NUT, LOCK M6	1					
76	2	158552-61900	O-RING	1					
77	2	26106-060142	BOLT, M6X 14 PLATED	6					
78	2	26106-060252	BOLT, M6X 25 PLATED	8					
79	2	26106-060402	BOLT, M6X 40 PLATED	2					
81	2	22190-160002	WASHER, SEAL 16	1					
82	2	23887-160002	PLUG, 16	1					
128	2	119653-77950	SOLENOID, STOP	1					

Remarks
 * THIS FIGURE(GOVERNOR ASSY)IS
 INCORPORATED IN THE FUEL INJECTION
 PUMP ASSY(FIG.11).

N:Old $\frac{100}{100}$ New, Q:Old $\frac{100}{100}$ New, R:Old $\frac{100}{100}$ New, S:Old $\frac{100}{100}$ New, W:Add, Z:Discontinued, F:Interchangeable by set, K:Q'ty Change
 Copyright (C) YANMAR GLOBAL CS CO., LTD. All Rights Reserved.

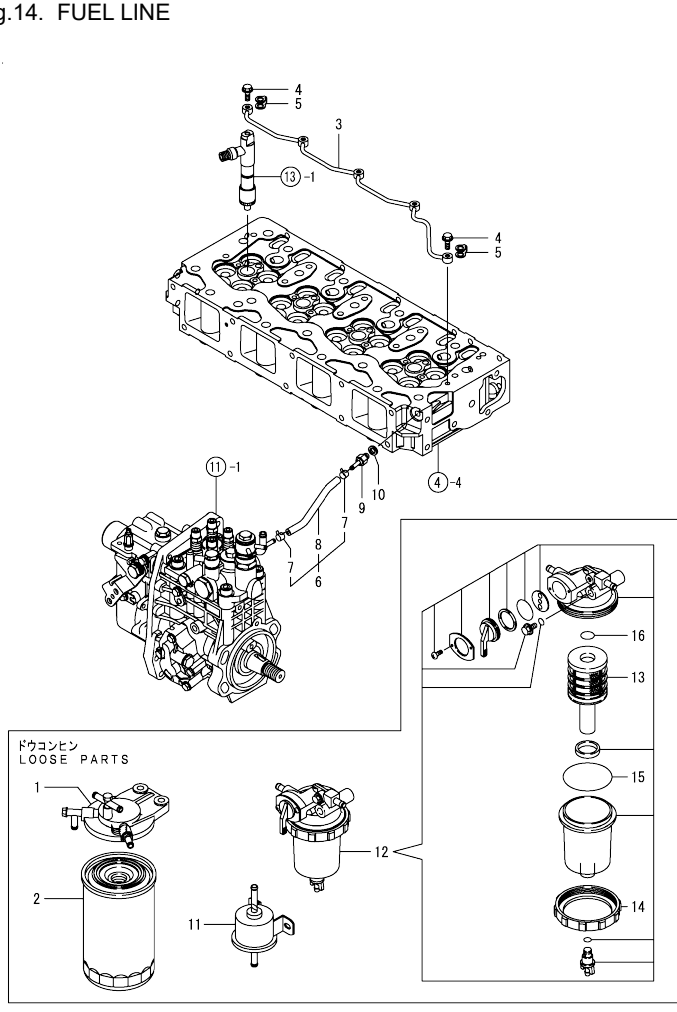
Fig.13. FUEL INJECTION VALVE



No.	Lev.	Parts No.	Description	Q'ty						I	R
				(A)	(B)	(C)	(D)	(E)	(F)		
1	1	729907-53100	FUEL INJECTOR ASSY	4							
2	2	129907-53000	NOZZLE ASSY, F.I.	4							
5	2	114250-53080	NUT, NOZZLE	4							
9	2	114250-53120	SPRING, NOZZLE	4							
10	2	114250-53130	SEAT, SPRING	4							
11	2	114250-53140	SPACER	4							
12	2	114250-53210	PIN	8							
13	2	114250-53400	SHIM SET	4							
25	1	123907-11601	SEAL, PIPE	4							
26	1	122780-59100	RETAINER	2							
27	1	119305-59120	RETAINER, PIPE	1							
30	2	129150-59131	BOLT, M4X14	1							
31	1	129550-59120	RETAINER, PIPE	1							
34	2	129150-59131	BOLT, M4X14	2							
35	1	129907-59710	SUPPORT	1							
37	1	129907-59810	PIPE ASSY, INJECTION	1							
38	1	129907-59820	PIPE ASSY, INJECTION	1							
39	1	129907-59830	PIPE ASSY, INJECTION	1							
40	1	129907-59840	PIPE ASSY, INJECTION	1							
41	1	26106-060162	BOLT, M6X 16 PLATED	2							
42	1	26106-080182	BOLT, M8X 18 PLATED	1							

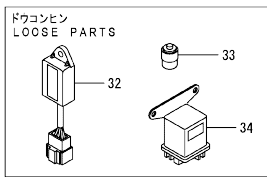
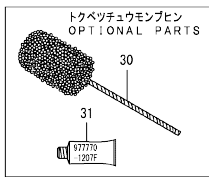
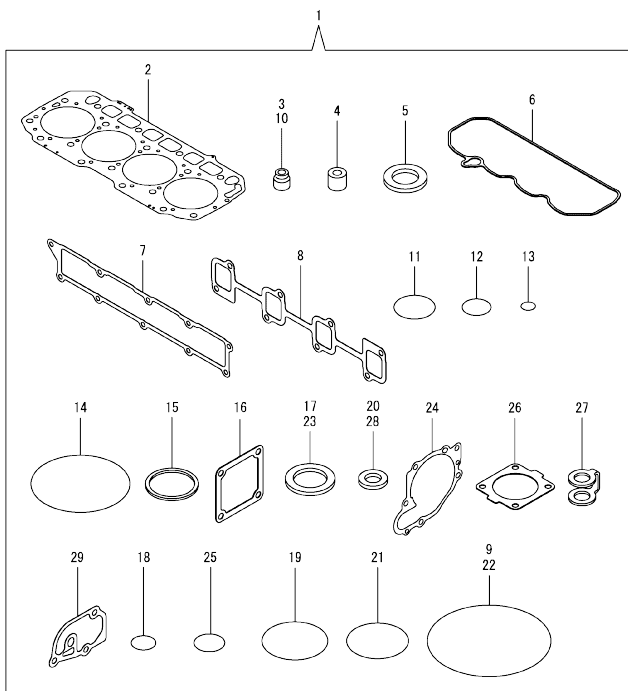
0CW10-M15100 4TNV98-XAT
 Fig.14. FUEL LINE

0CW10-M15100 Fig.14



No.	Lev.	Parts No.	Description	Q'ty						
				(A)	(B)	(C)	(D)	(E)	(F)	
1	1	129004-55612	BRACKET, FILTER	1						
2	1	129907-55810	FILTER, FUEL	1						
3	1	129907-59140	PIPE ASSY, RETURN	1						
4	1	123907-59540	BOLT, PIPE JOINT M6	5						
5	1	123907-59550	GASKET	5						
6	1	129486-59551	HOSE ASSY, RETURN	1						
7	2	124722-59050	CLAMP, HOSE 9	2						
8	2	129486-59510	HOSE, FUEL RETURN	1						
9	1	123907-59560	JOINT, HOSE	1						
10	1	22190-080002	WASHER, SEAL 6	1						
11	1	119225-52102	PUMP, FUEL FEED	1						
12	1	119802-55700	SEPARATOR ASSY,WATER	1						
13	2	119802-55710	ELEMENT	1						
14	2	129100-55690	RING, CUP RETAINING	1						
15	2	24321-000650	O-RING, 1AG65.0	1						
16	2	24311-000160	O-RING, 1AP16.0	1						

N:Old $\frac{100}{100}$ New, Q:Old $\frac{100}{100}$ New, R:Old $\frac{100}{100}$ New, S:Old $\frac{100}{100}$ New, W:Add, Z:Discontinued, F:Interchangeable by set, K:Q'ty Change
 Copyright (C) YANMAR GLOBAL CS CO., LTD. All Rights Reserved.



(A)=4TNV98-XAT
 (D)=
 (E)=
 (F)=

No.	Lev.	Parts No.	Description	Q'ty						I	R
				(A)	(B)	(C)	(D)	(E)	(F)		
1	1	729900-92720	GASKET SET	1							1
2	2	129907-01331	GASKET, HEAD	1							
3	2	124160-11340	SEAL, VALVE STEM	8							
4	2	119802-11870	PROTECTOR, NOZZLE	4							
5	2	119625-11880	SEAT, NOZZLE	4							
6	2	129907-11310	GASKET, BONNET	1							
7	2	129907-12110	GASKET, MANIFOLD	1							
8	2	129900-13251	GASKET, EXH.MANIFOLD	1							
9	2	24321-000600	O-RING, 1AG60.0	1							
10	2	124950-11340	SEAL, VALVE STEM	8							
11	2	129900-32030	O-RING, P20	2							
12	2	129900-32040	O-RING, P14	1							
13	2	24311-000070	O-RING, 1AP7.0	1							
14	1	24341-000530	O-RING, 1AS53.0	1							
15	2	121850-49550	GASKET, THERMOSTAT	1							
16	2	121850-77021	GASKET, AIR HEATER	1							
17	2	124465-44950	GASKET, 16	2							
18	2	24311-000120	O-RING, 1AP12.0	8							
19	2	24311-000320	O-RING, 1AP32.0	2							
20	2	22190-080002	WASHER, SEAL 6	9							
21	2	24351-030750	O-RING, 1A3075	1							
22	2	24321-000850	O-RING, 1AG85.0	1							
23	2	22190-160002	WASHER, SEAL 16	1							
24	2	129900-42020	GASKET, WATER PUMP	1							
25	2	24311-000200	O-RING, 1AP20.0	1							
26	2	121850-49540	GASKET, THERMOSTAT	1							
27	2	123907-59550	GASKET	5							
28	2	23414-080000	GASKET, 8X1.0	1							
29	2	129900-49870	GASKET, THERMOSTAT	1							
30	1	129400-92440	HONE, FLEX	1							1
31	1	977770-1207F	GASKET.LIQUID	1							1
32	1	129211-77920	TIMER	1							
33	1	126650-12680	INDICATOR	1							
34	1	119650-77910	RELAY ASSY, GLOW	1							

Remarks
 (1) OPTIONAL PARTS.

Parts No. Index

Parts No.	Fig. No.	Ref. No.	Parts No.	Fig. No.	Ref. No.	Parts No.	Fig. No.	Ref. No.	Parts No.	Fig. No.	Ref. No.
105010-39140	9	20	121850-49810	10	27	129100-55690	14	14	129900-42020	15	24
105425-01690	3	3	121850-77021	5	13	129150-02450	6	4	129900-42450	10	14
114250-39450	9	9		15	16	129150-11230	4	36	129900-49870	10	35
114250-53080	13	5	121850-77100	5	14			40		15	29
114250-53120	13	9	122780-59100	13	26	129150-11750	4	22	129906-51580	11	51
114250-53130	13	10	123900-13610	5	9			37	129907-01331	1	32
114250-53140	13	11	123900-13630	5	10			41		15	2
114250-53210	13	12	123900-25060	6	10	129150-14200	6	1	129907-01950	11	130
114250-53400	13	13	123907-03100	4	55	129150-25920	6	14	129907-01960	11	131
119130-44740	10	15	123907-03110	4	56	129150-35170	9	4	129907-03011	4	52
119131-18320	5	11	123907-03120	4	57	129150-59131	13	30	129907-03061	4	53
119225-52102	14	11	123907-03140	4	58			34	129907-03070	4	54
119305-59120	13	27	123907-11280	4	33	129155-51280	12	6	129907-07900	4	1
119309-01810	1	35	123907-11550	4	3	129155-61460	12	32	129907-11100	4	14
119593-11301	4	28	123907-11601	13	25	129211-77920	15	32	129907-11110	4	15
119620-11180	4	17	123907-11820	4	10	129255-61410	12	26	129907-11120	4	16
119625-11880	4	26	123907-11830	4	23	129400-92440	15	30	129907-11250	4	30
	15	5	123907-39500	9	12	129466-49300	9	29	129907-11260	4	31
119640-61400	4	62	123907-59540	14	4	129486-59510	14	8	129907-11270	4	32
119650-77910	15	34	123907-59550	14	5	129486-59551	14	6	129907-11310	4	61
119653-77950	12	128		15	27	129550-59120	13	31		15	6
119660-61901	12	62	123907-59560	14	9	129693-44310	3	8	129907-11320	4	51
119802-11870	4	68	123910-49600	9	30	129795-01960	8	1	129907-11341	4	29
	15	4	123910-49610	9	32	129900-01200	1	31	129907-11510	4	20
119802-51590	11	52	123912-33050	9	23	129900-01250	1	5	129907-11650	4	34
119802-51600	11	53	123912-33100	9	24	129900-01740	2	6	129907-11660	4	38
119802-51680	11	57	124160-01751	2	37	129900-02020	1	8	129907-11700	4	4
119802-51690	11	58		4	50	129900-02341	1	36	129907-11800	4	8
119802-55700	14	12	124160-11340	4	18	129900-02410	1	11	129907-11910	4	47
119802-55710	14	13		15	3	129900-02931	1	28	129907-11920	4	42
119803-11340	4	19	124160-11360	4	65	129900-02941	1	39	129907-11950	4	48
119807-61420	12	27	124411-01780	3	13	129900-13200	5	6	129907-12100	5	1
119860-34810	9	34	124450-44560	10	47	129900-13251	5	8	129907-12110	5	3
120130-22301	7	20	124465-44950	10	21		15	8		15	7
121023-26070	2	39		15	17	129900-14100	6	7	129907-14400	6	2
121450-42450	10	20	124722-59050	10	39	129900-14140	2	23	129907-14581	6	3
121450-44531	10	45			42	129900-21200	7	4	129907-21650	7	12
121468-44510	10	43		14	7	129900-23001	7	22	129907-22050	7	16
121468-44540	10	46	124950-11340	15	10	129900-23200	7	27	129907-25900	6	17
121470-44581	10	48	126650-12680	15	33	129900-23601	7	28	129907-39061	9	10
121750-59890	9	33	128610-14120	8	3	129900-23611	7	30	129907-42000	10	1
121850-21290	7	5	129001-91810	2	27	129900-23911	7	26	129907-49610	10	36
		6			28	129900-25100	6	11	129907-49620	10	40
	8	4	129001-91841	3	7	129900-26250	2	24	129907-49710	10	37
		5	129004-55612	14	1	129900-32030	2	25	129907-49720	10	41
121850-21920	7	7	129005-59830	9	14		9	5	129907-49730	10	26
121850-49540	10	24	129006-44480	9	26		15	11	129907-49750	10	38
	15	26	129100-01580	1	33	129900-32040	2	26	129907-51340	11	27
121850-49550	10	25			34		15	12	129907-51560	11	47
	15	15		2	5		10	11	129907-53000	13	2

Parts No. Index

Parts No.	Fig. No.	Ref. No.
129907-55810	14	2
129907-59140	14	3
129907-59710	13	35
129907-59810	13	37
129907-59820	13	38
129907-59830	13	39
129907-59840	13	40
129908-14581	6	3 -1
129908-33010	9	22
129908-33101	9	25
129908-49060	9	28
129916-01800	2	4
129916-21610	7	10
129916-59020	11	128
129927-42140	2	26 A
129930-39050	9	19
129940-49800	10	22
129953-25300	6	16
129956-01640	3	11
129956-01710	1	6
129956-01730	3	1
129956-01760	3	2
129956-21000	7	1
129956-28009	8	2
129956-28019	8	6
129956-28030	8	2 -1
129956-28040	8	6 -1
129956-28101	8	10
129956-28111	8	11
129956-28180	8	12
129956-28200	8	8
129956-28210	8	8 -1
129956-28321	7	8
129956-28332	8	13
129956-28341	8	14
129956-32001	2	11
129956-35100	9	6
129960-21640	7	11
129962-01500	2	8
129963-22080	7	14
129963-34800	9	2
129972-01731	3	6
129980-26200	6	21
129980-49530	10	23
144626-51090	11	85
158552-51570	11	48
158552-51580	11	50
158552-51670	11	126
158552-51781	11	119
158552-52100	11	73

Parts No.	Fig. No.	Ref. No.
158552-52310	11	75
158552-52400	11	76
158552-52500	11	74
158552-61900	12	76
158553-51551	11	45
158553-51630	11	62
158553-51640	11	64
158553-51660	11	66
158553-51670	11	56
158553-51680	11	67
158557-51570	11	49
158560-51300	11	18
158560-51600	11	61
158560-61050	12	3
158560-61061	12	1
158560-61071	12	4
158560-61430	12	28
158560-61442	12	29
158563-51150	6	18
158563-51281	11	16
		17
158563-51330	11	26
158600-51270	11	15
158601-51550	11	44
158601-51570	11	46
158601-51650	11	65
158601-51770	11	118
158601-51790	11	117
171051-01921	1	7
171056-49120	9	27
22190-080002	3	9
	9	15
		17
		21
	14	10
	15	20
22190-120002	11	78
		79
		120
22190-160002	3	5
	12	81
	15	23
22190-180002	11	80
		121
22217-180000	6	19
	11	81
22252-000300	7	21
22312-050140	11	82
22351-050010	11	83
22351-060012	1	12

Parts No.	Fig. No.	Ref. No.
22512-070140	6	8
	7	9
22857-500100	4	63
		64
23000-025000	9	1
23065-070130	10	49
23414-080000	10	16
	15	28
23857-030000	9	16
23857-060000	11	86
23875-030000	10	29
23876-005000	8	15
23876-020000	4	11
23876-030000	1	13
		14
	4	12
23887-120002	11	122
23887-160002	12	82
24311-000070	2	43
	11	87
	15	13
24311-000120	4	27
		66
	15	18
24311-000160	14	16
24311-000200	8	17
	15	25
24311-000320	2	38
	4	67
	15	19
24321-000600	9	3
	15	9
24321-000650	14	15
24321-000850	2	40
	15	22
24341-000530	7	38
	15	14
24351-030750	2	29
	15	21
24356-010200	11	59
		88
24356-020210	11	89
24372-000150	11	60
26106-060102	11	90
	12	64
		65
26106-060122	10	30
26106-060142	12	77
26106-060162	13	41
26106-060202	10	31

Parts No.	Fig. No.	Ref. No.
26106-060252	12	78
26106-060302	10	12
26106-060352	11	91
26106-060402	12	79
26106-060552	10	34
26106-080122	9	18
	10	17
		18
26106-080142	5	15
	9	7
26106-080162	2	30
		31
	4	2
	6	9
	8	16
	11	132
26106-080182	13	42
26106-080202	2	32
	9	8
26106-080222	11	133
		134
26106-080252	3	10
26106-080302	3	14
26106-080402	2	33
		34
	4	44
26106-080452	2	35
26106-080552	5	4
	6	15
	10	13
26106-080602	4	45
		46
	8	18
	10	19
26106-080852	5	5
26106-100202	2	41
	11	135
26116-060102	12	53
26216-100302	2	10
26226-080222	4	43
26306-080002	4	49
	5	12
26306-100002	2	36
26450-100452	11	94
26756-060002	12	66
26776-180002	6	20
	11	95
27241-300000	1	15
27241-400000	4	13
27310-070001	4	24

Parts No. Index

Parts No.	Fig. No.	Ref. No.
729900-02801	1	25
729900-92720	15	1
729907-01559	2	1
729907-22950	7	34
729907-53100	13	1
729963-01560	1	1
729963-22900	7	32
729963-51400	11	1
977770-1207F	2	42
	4	69
	15	31

Parts No.	Fig. No.	Ref. No.
-----------	----------	----------

Parts No.	Fig. No.	Ref. No.
-----------	----------	----------

Parts No.	Fig. No.	Ref. No.
-----------	----------	----------