

0CV10-M89200EN

# PREFACE

- 1.This Parts Catalog carries all parts incorporated in YANMAR Model 4TNV98-XDB engine manufactured since September, 2003.
- 2.Each illustration corresponds to the parts list on the following page.
- 3.When ordering parts,clearly write down the engine model and serial number,as well as the name and number of each part in your order sheet. This will help insure reliable delivery of the parts you have ordered.

## Directions for the Parts Catalog.

- The parts stipulated in this Parts Catalog are not necessarily standard equipped parts.
- Parts may change without prior notice.
- The following is an example of the Parts Catalog format.

REF.	LEV.	PARTS NO.	DESCRIPTION	Q'TY						I	R
				(A)	(B)	(C)	(D)	(E)	(F)		
1	1	729595-51390	FUEL INJECTION PUMP	1	1	1	1	1			1
1-1	1	729595-51391	FUEL INJECTION PUMP	1	1	1	1	1		N	1
		(A=E00185) (B=E00200)									
3	2	26022-060162	SCREW M 6X 16	9	9	9	9	9			
3-1	2	26022-060162	SCREW M 6X 16	4	4	4	4	4		K	
		(A=E00156) (B=E00156) (C=E00156) (D=E00156) (E=E00156)									
4	2	129470-51040	CAMSHAFT	1	1	1	1	1			
5	2	122710-51050	BEARING, ROLLER	2	2	2	2	2			
6	2	129470-51060	RETAINER	1	1	1	1	1			

Remarks
(1) BOOST COMPEMSATOR TYPE. OPTIONAL PART, TO E00155,(4JH-DT, 4JH-DTZ

### ① Ref. No.

The Ref. No. listed may not be in accordance with the illustration Ref. No.

(Ex.) Illustration No.

List Ref No.

1 1 (Before change) → 1-1 (After change)

For interchangeable symbols N, R and K, illustrations for new parts may be abbreviated.

### ② Lev. (Level)

Level indication

The numbers below indicate the level of relativity towards the main part.

1 ---- Main parts (Assembly parts)

2 ---- Sub component included in " 1 ".

3 ---- Sub component included in " 2 ".

Note) Parts that are not for sale are partially illustrated but not listed.

### ③ Interchangeability Mark

When a part change takes place, one of the following interchangeability symbols is indicated beside the part.

Symbol	Interchangeability	Contents note
N	Old $\begin{matrix} \leftarrow \text{Yes} \\ \text{No} \rightarrow \end{matrix}$ New	New Part is interchangeable for Old Part but Old Part is not interchangeable for New Part.
Q	Old $\begin{matrix} \leftarrow \text{No} \\ \text{Yes} \rightarrow \end{matrix}$ New	New Part is not interchangeable for Old Part but Old Part is interchangeable for New Part.
R	Old $\begin{matrix} \leftarrow \text{Yes} \\ \text{Yes} \rightarrow \end{matrix}$ New	New/ Old Parts are both interchangeable.
S	Old $\begin{matrix} \leftarrow \text{No} \\ \text{No} \rightarrow \end{matrix}$ New	New/ Old Parts are both not interchangeable.
W		Part newly added.
Z		Part discontinued.
F		Not interchangeable by a single part but interchangeable together with related parts.
K		Changes only for used parts quantities.

### ④ Effective Machine No.

When a part changes, the effective Machine No. will be indicated in the (A)-(F) column.

Product Symbol	Product No.	Product Symbol	Product No.
C	Clutch No. Compressor No.	F	Machine No. (Agricultural Equip.)
D	Drive No.	M	Machine No.
E	Engine No.		

Note 1) A date may follow the symbol. (Ex.) 1996.01

Note 2) "XXXXX" and "ZZZZZ" are for parts that could not be predicted or for engine models that could not be identified.

Note 3) (A=E00185) is the E (Engine Serial Number) for the column (A) model (in this case 4JH-DT) after the parts design change.

### ⑤ Remarks Mark

Figures or alphabets (symbols) are entered in the remarks column.

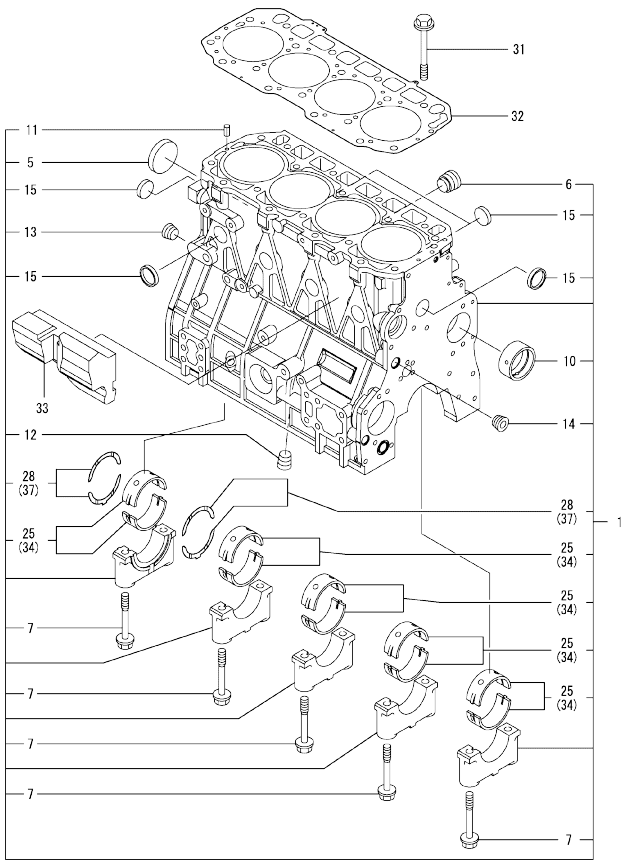
The comments (remarks) on parts that are indicated at the bottom of the illustration are the same symbols as those stated above.

## Contents

0CV10-M89200

Fig. No.	Fig. Name	Fig. No.	Fig. Name
ENGINE (4TNV98-XDB)			
1.	CYLINDER BLOCK		
2.	GEAR HOUSING		
3.	FLYWHEEL HOUSING & OIL SUMP		
4.	CYLINDER HEAD & BONNET		
5.	SUCTION MANIFOLD		
6.	EXHAUST MANIFOLD		
7.	CAMSHAFT & DRIVING GEAR		
8.	CRANKSHAFT & PISTON		
9.	LUB. OIL SYSTEM		
10.	COOLING WATER SYSTEM		
11.	FUEL INJECTION PUMP		
12.	FUEL INJECTION VALVE		
13.	FUEL LINE		
14.	STARTING MOTOR		
15.	GENERATOR		
16.	GASKET SET		

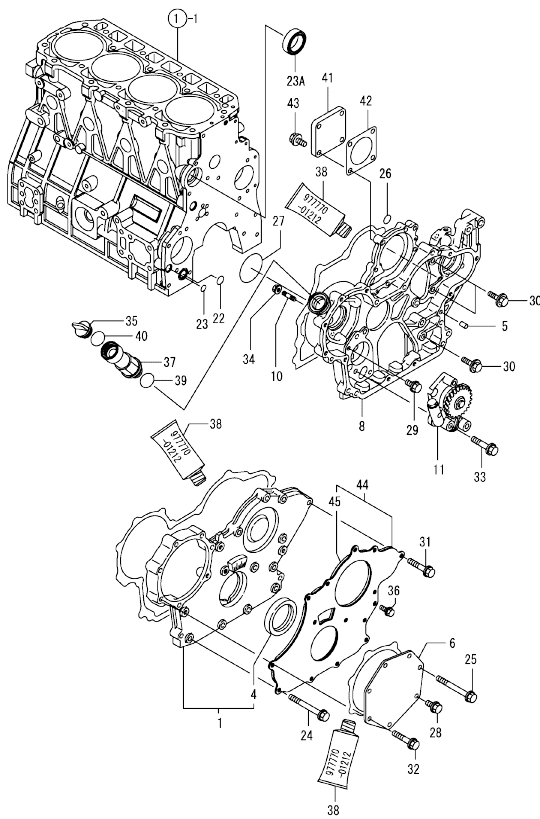
Fig.1. CYLINDER BLOCK



No.	Lev.	Parts No.	Description	Q'ty						I	R
				(A)	(B)	(C)	(D)	(E)	(F)		
1	1	729907-01560	BLOCK ASSY, CYLINDER	1							
5	2	129900-01250	PLUG, DISH TYPE 55	1							
6	2	171051-01921	PLUG, NPTF1	1							
7	2	129900-02020	BOLT, METAL CAP	10							
10	2	129900-02410	BUSH, CAMSHAFT	1							
11	2	22351-060012	PIN, SPRING 6.0X12	2							
12	2	23876-030000	PLUG, R03	1							
13	2	23876-030000	PLUG, R03	1							
14	2	23876-030000	PLUG, R03	1							
15	2	27241-300000	PLUG 30	8							
25	2	729900-02800	BEARING, MAIN	5							3
28	2	129900-02930	BEARING ASSY, THRUST	2							
31	1	129900-01200	BOLT, CYLINDER HEAD	18							
32	1	129907-01330	GASKET, HEAD	1							
33	1	129907-01190	SPACER	1							
34	1	129900-02340	BEARING ASSY, MAIN	5							1
37	1	129900-02940	BEARING, THRUST 0.25	2							2

Remarks  
 (1) UNDER-SIZED(U.S=0.25)PART.  
 (2) OVER-SIZED(O.S=0.25)PART.  
 (3) REPAIR PART.

Fig.2. GEAR HOUSING



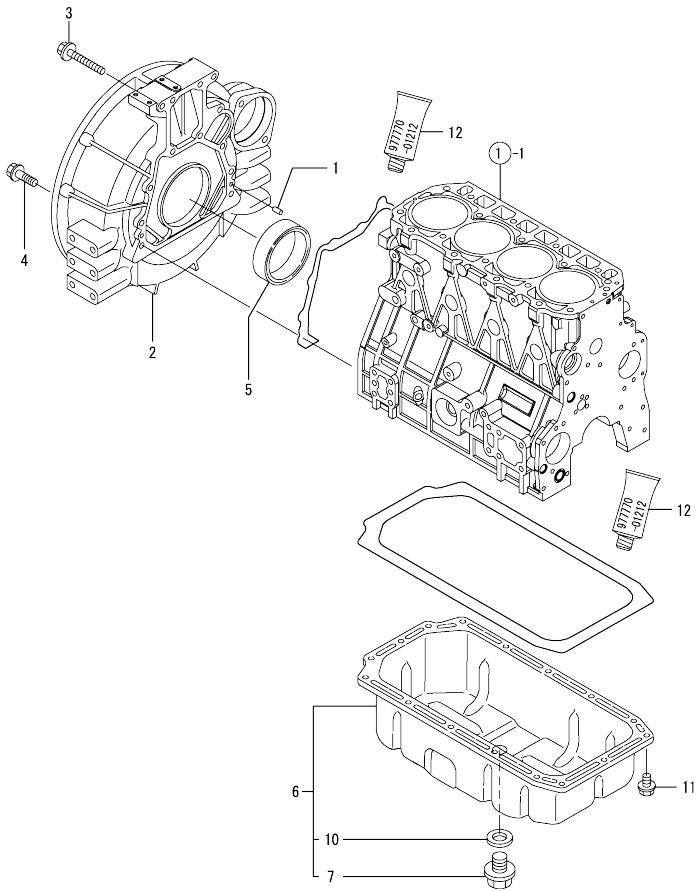
(A)=4TNV98-XDB  
(B)=  
(C)=

(D)=  
(E)=  
(F)=

No.	Lev.	Parts No.	Description	Qty						I	R
				(A)	(B)	(C)	(D)	(E)	(F)		
1	1	729907-01559	COVER ASSY,GEAR CASE	1							
4	2	129916-01800	SEAL, OIL	1							
5	1	129100-01580	PIN, PARALLEL 8X16	4							
6	1	129951-01740	COVER	1							
8	1	129907-01500	CASE, GEAR	1							
10	1	26216-100302	STUD, M10X 30	4							
11	1	129900-32001	PUMP ASSY, OIL	1							
22	1	129900-32030	O-RING, P20	1							
23	1	129900-32040	O-RING, P14	1							
23A	1	129927-42140	GASKET, PUMP OUTLET	1							W
(A=2014.09)											
24	1	129001-91810	BOLT, M8X70	6							
25	1	129001-91810	BOLT, M8X70	1							
26	1	24311-000070	O-RING, 1AP7.0	1							
27	1	24351-030750	O-RING, 1A3075	1							
28	1	26106-080162	BOLT, M8X 16 PLATED	1							
29	1	26106-080162	BOLT, M8X 16 PLATED	1							
30	1	26106-080202	BOLT, M8X 20 PLATED	3							
31	1	26106-080402	BOLT, M8X 40 PLATED	5							
32	1	26106-080402	BOLT, M8X 40 PLATED	5							
33	1	26106-080452	BOLT, M8X 45 PLATED	3							
34	1	26306-100002	NUT, M10	4							
35	1	124160-01751	CAP, FILLER	1							
36	1	26106-080162	BOLT, M8X 16 PLATED	3							
37	1	171031-11741	PIPE	1							
38	1	977770-01212	GASKET, LIQUID	1							1
39	1	24311-000320	O-RING, 1AP32.0	1							
40	1	24311-000320	O-RING, 1AP32.0	1							
41	1	124240-01871	COVER, PUMP	1							
42	1	124240-01883	GASKET	1							
43	1	26106-080162	BOLT, M8X 16 PLATED	4							
44	1	129900-01850	COVER ASSY,GEAR CASE	1							
45	2	129900-01870	SPONGE, GEAR CASE	1							

Remarks  
(1) OPTIONAL PART.

Fig.3. FLYWHEEL HOUSING & OIL SUMP



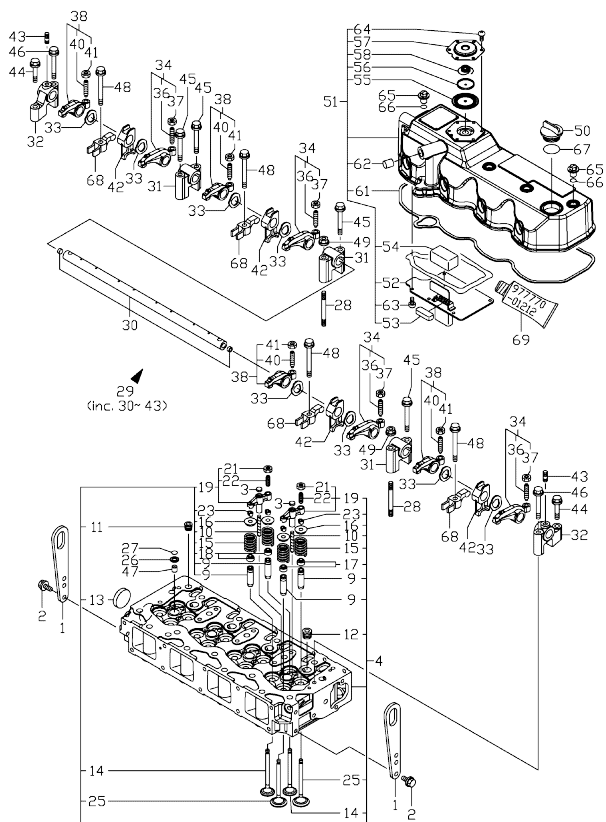
(A)=4TNV98-XDB  
(B)=  
(C)=

(D)=  
(E)=  
(F)=

No.	Lev.	Parts No.	Description	Q'ty						I	R
				(A)	(B)	(C)	(D)	(E)	(F)		
1	1	129100-01580	PIN, PARALLEL 8X16	2							
2	1	129981-01600	HOUSING, FLYWHEEL	1							
3	1	26206-100702	BOLT, M10X 70 PLATED	4							
4	1	26206-100352	BOLT, M10X 35 PLATED	9							
5	1	129916-01790	SEAL, D115/95XT11	1							
6	1	129953-01710	OIL PAN ASSY	1							
7	2	119640-01640	PLUG, DRAIN M22	1							
10	2	22190-220002	WASHER, SEAL 22	1							
11	1	26106-080122	BOLT, M8X 12 PLATED	16							
12	1	97770-01212	GASKET, LIQUID	1							1

Remarks  
(1) OPTIONAL PART.

Fig.4. CYLINDER HEAD & BONNET



(A)=4TNV98-XDB  
(B)=  
(C)=

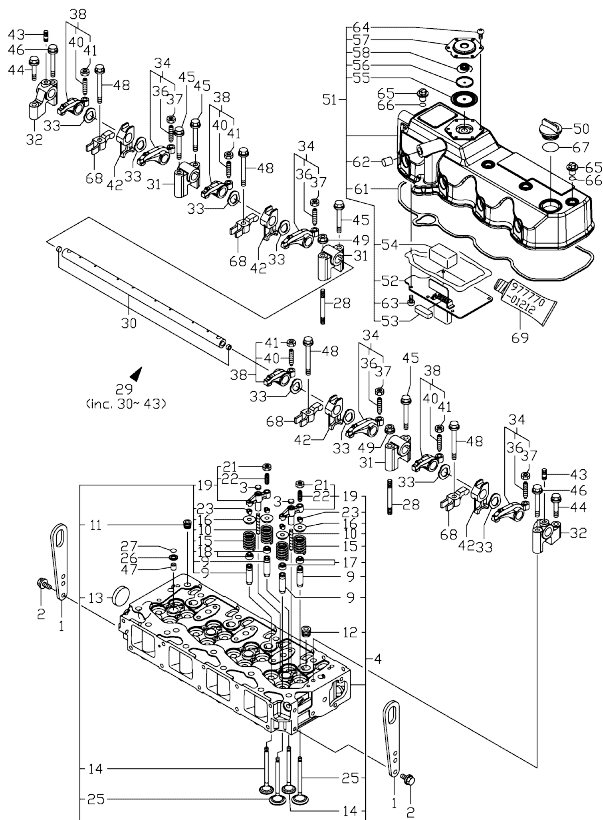
(D)=  
(E)=  
(F)=

No.	Lev.	Parts No.	Description	Q'ty						I	R
				(A)	(B)	(C)	(D)	(E)	(F)		
1	1	129900-07900	LIFTER, ENGINE	2							
2	1	26106-080162	BOLT, M8X 16 PLATED	4							
3	1	123907-11550	SEAT, VALVE BRIDGE	8							
4	1	129907-11700	HEAD ASSY, CYLINDER	1							1
9	2	129907-11800	GUIDE, VALVE	16							
10	2	123907-11820	GUIDE, BRIDGE	8							
11	2	23876-020000	PLUG, R02	1							
12	2	23876-030000	PLUG, R03	4							
13	2	27241-400000	PLUG, 40	1							
14	2	129907-11110	VALVE, EXHAUST	8							
15	2	129907-11120	SPRING, VALVE	16							
16	2	119620-11180	RETAINER, SPRING	16							
17	2	124160-11340	SEAL, VALVE STEM	8							
18	2	124950-11340	SEAL, VALVE STEM	8							
19	2	129907-11510	BRIDGE ASSY, VALVE	8							
21	3	129150-11750	NUT, M8	8							
22	3	123907-11830	ADJUSTER	8							
23	2	27310-070001	COTTER, 7	16							
25	2	129907-11100	VALVE, SUCTION	8							
26	1	119625-11880	SEAT, NOZZLE	4							
27	1	24311-000120	O-RING, 1AP12.0	4							
28	1	119593-11301	BOLT, STUD M8X80	2							
29	1	129907-11341	SHAFT ASSY, ROCKER	1							
30	2	129907-11250	SHAFT, ROCKER ARM	1							
31	2	129907-11260	SUPPORT, ROCKER ARM	3							
32	2	129907-11270	SUPPORT, ROCKER ARM	2							
33	2	123907-11280	WASHER	8							
34	2	129907-11650	ARM ASSY, ROCKER	4							
36	3	129150-11230	SCREW, VALVE ADJUST	4							
37	3	129150-11750	NUT, M8	4							
38	2	129907-11660	ARM ASSY, ROCKER	4							
40	3	129150-11230	SCREW, VALVE ADJUST	4							
41	3	129150-11750	NUT, M8	4							
42	2	129907-11920	RETAINER, NOZZLE	4							
43	2	26226-080222	STUD, M8X 22	2							
44	1	26106-080402	BOLT, M8X 40 PLATED	2							
45	1	26106-080602	BOLT, M8X 60 PLATED	4							
46	1	26106-080602	BOLT, M8X 60 PLATED	2							
47	1	119802-11870	PROTECTOR, NOZZLE	4							
48	1	129907-11950	BOLT, M8X75	4							
49	1	26306-080002	NUT, M8	2							
50	1	124160-01751	CAP, FILLER	1							
51	1	129907-11320	BONNET ASSY, HEAD	1							
52	2	129907-03010	PLATE, BAFFLE	1							
53	2	129907-03060	BAFFLE, BREATHER	1							
54	2	129907-03070	BAFFLE, BREATHER	1							
55	2	123907-03100	DIAPHRAGM	1							
56	2	123907-03110	PLATE	1							
57	2	123907-03120	PLATE, BREATHER	1							
58	2	123907-03140	SPRING, DIAPHRAGM	1							
61	2	129907-11310	GASKET, BONNET	1							

Remarks  
(1) REPAIR PART.  
(2) OPTIONAL PART.



Fig.4. CYLINDER HEAD & BONNET



(A)=4TNV98-XDB  
(B)=  
(C)=

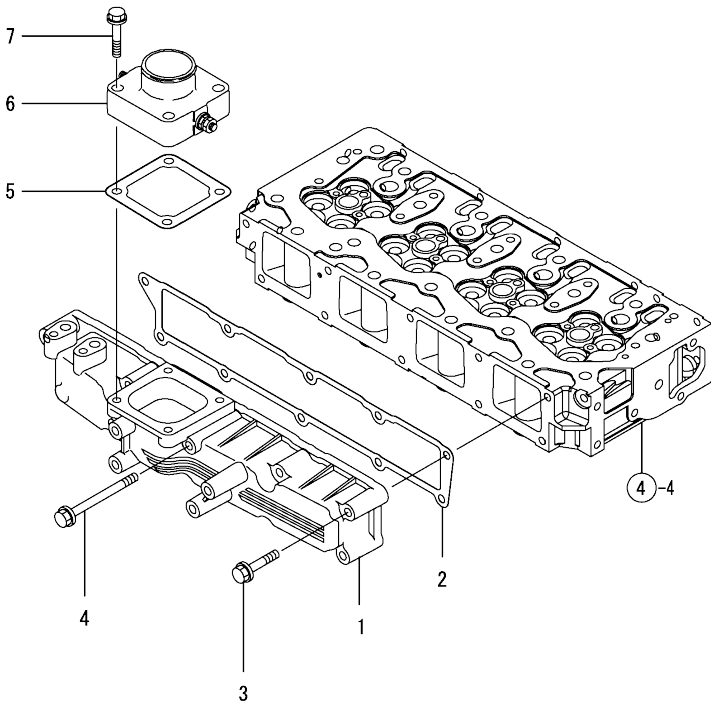
(D)=  
(E)=  
(F)=

No.	Lev.	Parts No.	Description	Q'ty						I	R
				(A)	(B)	(C)	(D)	(E)	(F)		
62	2	119640-61400	PLUG	1							
63	2	22857-500100	SCREW, 5X10	6							
64	2	22857-500100	SCREW, 5X10	6							
65	1	124160-11360	KNOB	4							
66	1	24311-000120	O-RING, 1AP12.0	4							
67	1	24311-000320	O-RING, 1AP32.0	1							
68	1	129907-11910	RETAINER, NOZZLE	4							
69	1	977770-01212	GASKET, LIQUID	1							2

Remarks

- (1) REPAIR PART.
- (2) OPTIONAL PART.

Fig.5. SUCTION MANIFOLD



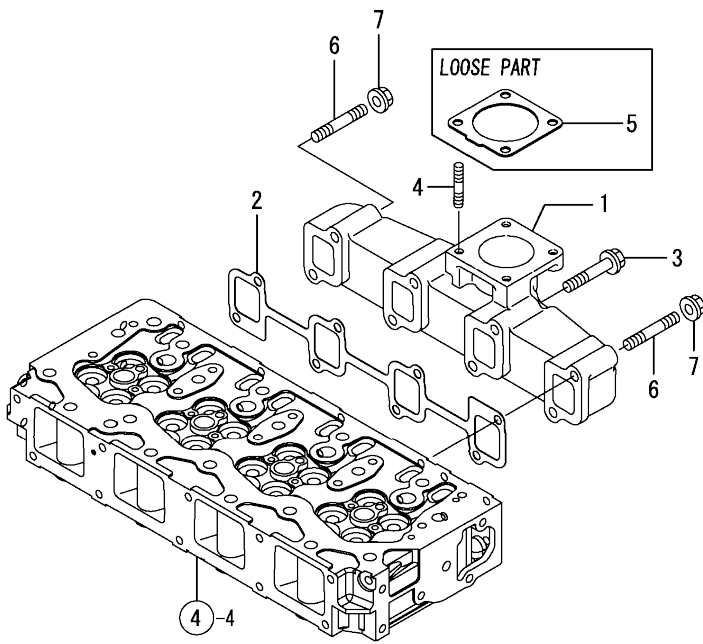
(A)=4TNV98-XDB  
(B)=  
(C)=

(D)=  
(E)=  
(F)=

No.	Lev.	Parts No.	Description	Q'ty						I	R
				(A)	(B)	(C)	(D)	(E)	(F)		
1	1	129907-12100	MANIFOLD, AIR INTAKE	1							
2	1	129907-12110	GASKET, MANIFOLD	1							
3	1	26106-080552	BOLT, M8X 55 PLATED	9							
4	1	26106-080852	BOLT, M8X 85 PLATED	1							
5	1	121850-77021	GASKET, AIR HEATER	1							
6	1	129915-77050	HEATER, AIR 12V	1							
7	1	26106-080352	BOLT, M8X 35 PLATED	4							

0CV10-M89200 ENGINE (4TNV98-XDB)  
 Fig.6. EXHAUST MANIFOLD

0CV10-M89200 Fig.6

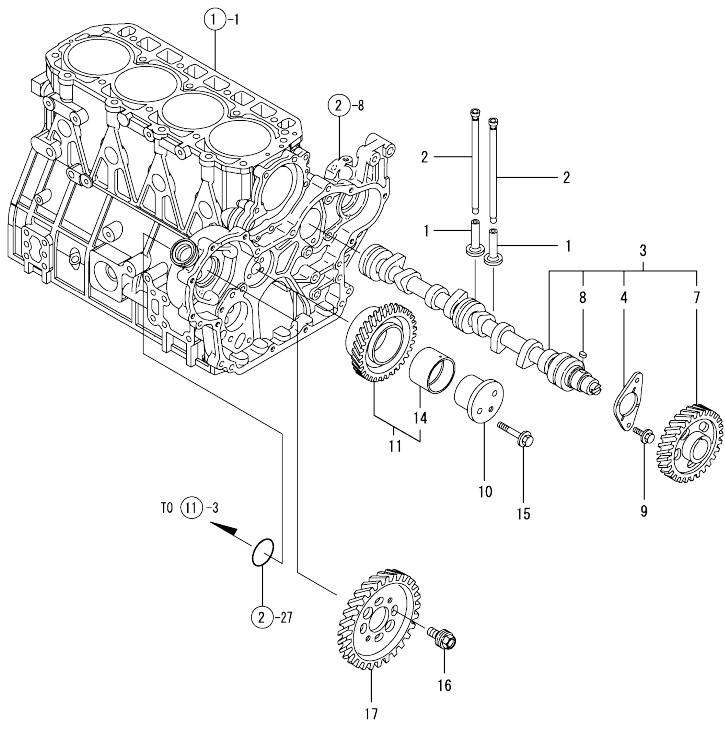


(A)=4TNV98-XDB  
 (B)=  
 (C)=

(D)=  
 (E)=  
 (F)=

No.	Lev.	Parts No.	Description	Q'ty						I	R
				(A)	(B)	(C)	(D)	(E)	(F)		
1	1	129900-13200	MANIFOLD, EXHAUST	1							
2	1	129900-13251	GASKET, EXH.MANIFOLD	1							
3	1	123900-13630	BOLT, M8X80	6							
4	1	119131-18320	BOLT, STUD M8X22	4							
5	1	129930-13200	GASKET, SILENCER	1							
6	1	123900-13610	BOLT, STUD M8X80	2							
7	1	26306-080002	NUT, M8	2							

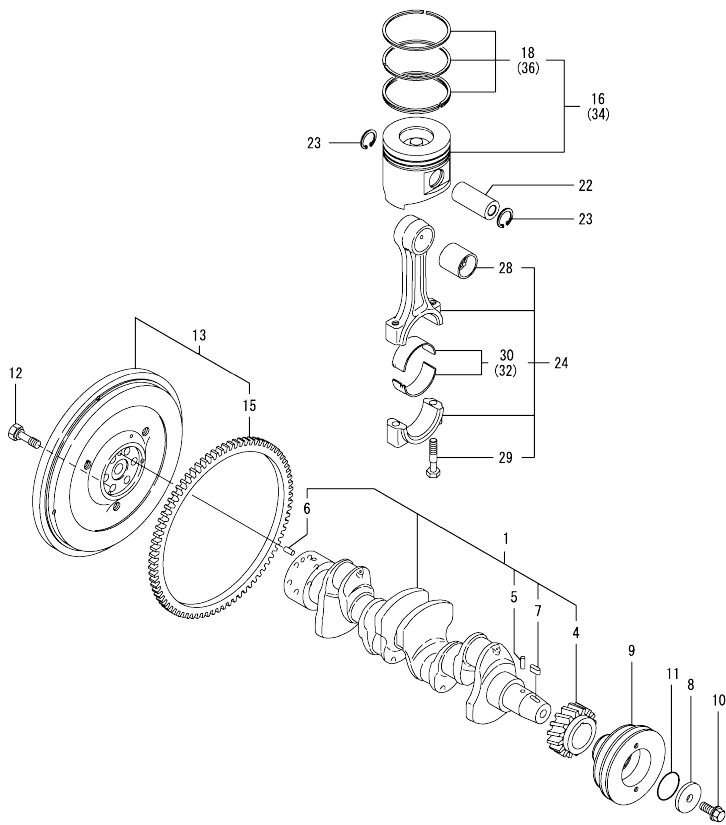
Fig.7. CAMSHAFT & DRIVING GEAR



No.	Lev.	Parts No.	Description	Q'ty						I	R
				(A)	(B)	(C)	(D)	(E)	(F)		
1	1	129150-14200	TAPPET	8							
2	1	129907-14400	PUSH-ROD	8							
3	1	129907-14581	CAMSHAFT ASSY	1							
3-1	1	129908-14581	CAMSHAFT ASSY	1							N
(A=EZZZZZ)											
4	2	129150-02450	BEARING, THRUST	1							
7	2	129900-14100	GEAR, CAMSHAFT	1							
8	2	22512-070140	KEY, 7X 14	1							
9	1	26106-080162	BOLT, M8X 16 PLATED	2							
10	1	123900-25060	SHAFT, IDLE GEAR	1							
11	1	129900-25100	GEAR ASSY, IDLE	1							
14	2	129150-25920	BUSH, IDLE GEAR	1							1
15	1	26106-080552	BOLT, M8X 55 PLATED	3							
16	1	129953-25300	BOLT	4							
17	1	123907-25909	GEAR, PUMP	1							

Remarks  
 (1) REPAIR PART.

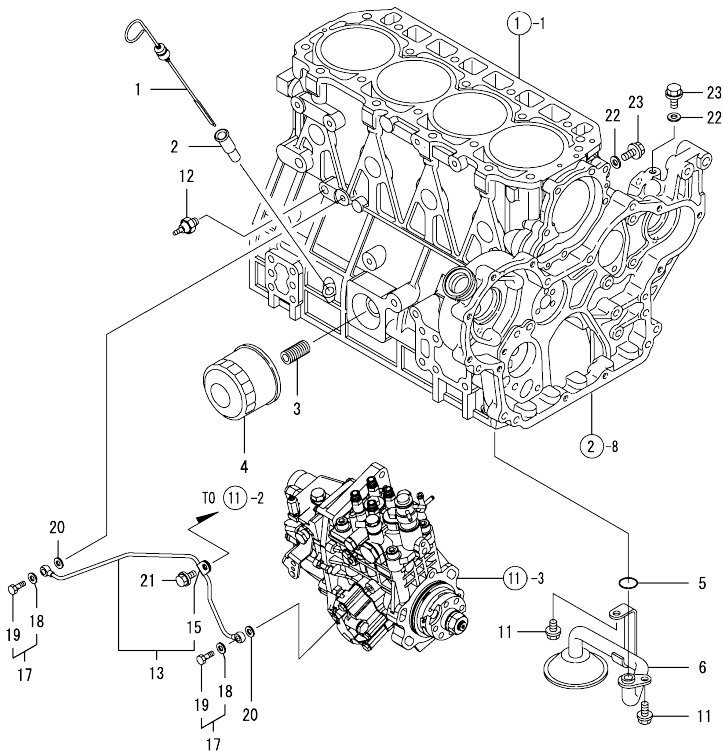
Fig.8. CRANKSHAFT & PISTON



No.	Lev.	Parts No.	Description	Q'ty						I	R
				(A)	(B)	(C)	(D)	(E)	(F)		
1	1	129902-21000	CRANKSHAFT ASSY	1							
4	2	129900-21200	GEAR, CRANKSHAFT	1							
5	2	121850-21290	PIN	1							
6	2	121850-21920	PIN, PARALLEL 10X22	1							
7	2	22512-070140	KEY, 7X 14	1							
8	1	129960-21640	WASHER	1							
9	1	129916-21620	V-PULLEY, CRANKSHAFT	1							
10	1	129916-21610	BOLT	1							
11	1	24341-000530	O-RING, 1AS53.0	1							
12	1	121850-21130	BOLT, FLYWHEEL	6							
13	1	129953-21560	FLYWHEEL ASSY	1							
15	2	129900-21600	GEAR, RING	1							
16	1	129907-22090	PISTON ASSY, 18.5	4							
18	2	129907-22050	RING SET, PISTON	4							
22	1	120130-22301	PIN, PISTON	4							
23	1	22252-000300	RING, 30	8							
24	1	129900-23000	ROD ASSY, CONNECTING	4							
28	2	129900-23910	BEARING, PISTON PIN	4							1
29	2	129900-23200	BOLT, CONNECTING ROD	8							
30	2	129900-23600	BEARING, CRANK PIN	4							
32	1	129900-23610	BEARING ASSY, 0.25US	4							2
34	1	729907-22910	PISTON ASSY, 0.25 OS	4							3
36	2	729907-22950	RING SET, 0.25 OS	4							3

Remarks  
 (1) REPAIR PART.  
 (2) UNDER-SIZE(U.S=0.25)PART.  
 (3) OVER-SIZE(O.S=0.25)PART.

Fig.9. LUB. OIL SYSTEM



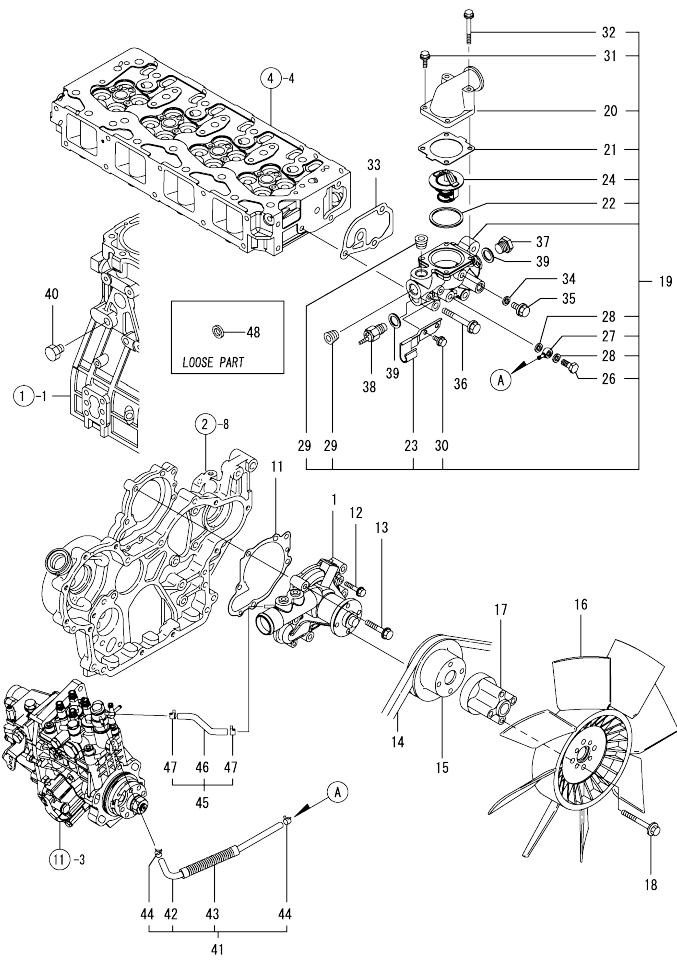
(A)=4TNV98-XDB  
(B)=  
(C)=

(D)=  
(E)=  
(F)=

No.	Lev.	Parts No.	Description	Q'ty						I	R
				(A)	(B)	(C)	(D)	(E)	(F)		
1	1	129900-34800	DIPSTICK	1							
2	1	121520-34810	GUIDE, DIPSTICK	1							
3	1	119000-35140	BOLT, STUD FILTER	1							
4	1	119005-35151	FILTER, D80X100	1							1
5	1	129900-32030	O-RING, P20	1							
6	1	129900-35000	PIPE ASSY, OIL INLET	1							
11	1	26106-080122	BOLT, M8X 12 PLATED	2							
12	1	114250-39450	SWITCH, HYDRAULIC	1							
13	1	129907-39060	PIPE ASSY, OIL	1							
15	2	123907-39500	RETAINER, PIPE	1							
17	1	129005-59830	BOLT ASSY, JOINT M8	2							
18	2	22190-080002	WASHER, SEAL 6	2							
19	2	23857-030000	BOLT, JOINT 3	2							
20	1	22190-080002	WASHER, SEAL 6	2							
21	1	26106-080122	BOLT, M8X 12 PLATED	1							
22	1	22190-080002	WASHER, SEAL 6	2							
23	1	26106-080122	BOLT, M8X 12 PLATED	2							

Remarks  
(1) REPAIR PART.

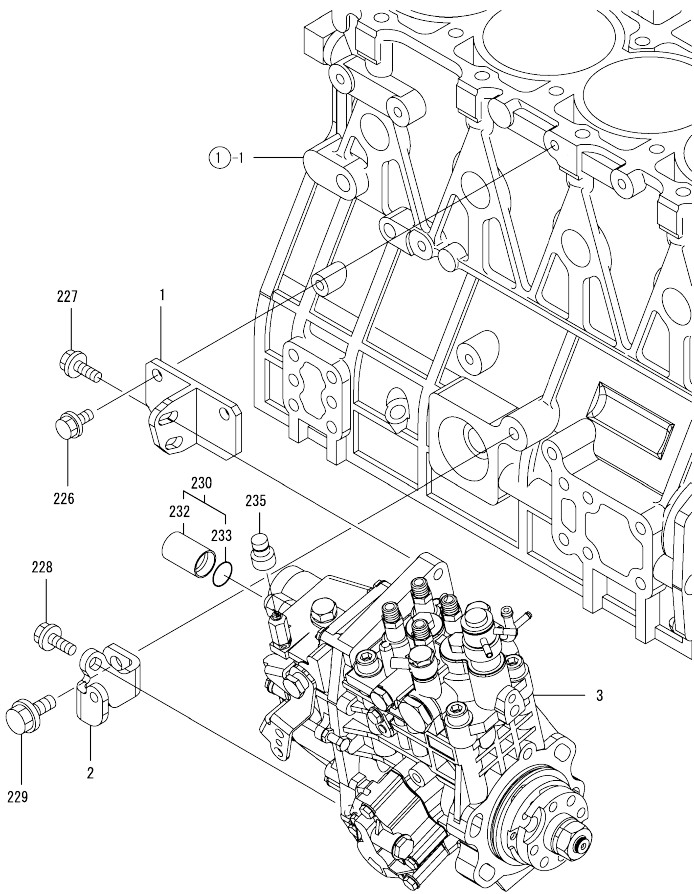
Fig.10. COOLING WATER SYSTEM



No.	Lev.	Parts No.	Description	Q'ty						I	R
				(A)	(B)	(C)	(D)	(E)	(F)		
1	1	129907-42000	PUMP ASSY, WATER	1							
11	1	129900-42020	GASKET, WATER PUMP	1							
12	1	26106-060302	BOLT, M6X 30 PLATED	2							
13	1	26106-080552	BOLT, M8X 55 PLATED	5							
14	1	25153-004500	V-BELT, B45	1							
15	1	129916-42410	V-PULLEY, C.W.PUMP	1							
16	1	129953-44710	FAN, COOLING D=460	1							
17	1	119117-44760	SPACER, FAN	1							
18	1	129916-44770	BOLT, M8X78	4							
19	1	129906-49810	CASE ASSY,THERMOSTAT	1							
20	2	129980-49530	COVER, THERMOSTAT	1							
21	2	121850-49540	GASKET, THERMOSTAT	1							
22	2	121850-49550	GASKET, THERMOSTAT	1							
23	2	129907-49730	RETAINER, PIPE	1							
24	2	121850-49800	THERMOSTAT, 82C	1							
26	2	105582-59150	BOLT, PIPE JOINT M8	1							
27	2	23387-040800	JOINT, HOSE 4-8	1							
28	2	23414-080000	GASKET, 8X1.0	2							
29	2	129916-49740	PLUG, R3/8	2							
30	2	26106-060122	BOLT, M6X 12 PLATED	2							
31	2	26106-060202	BOLT, M6X 20 PLATED	2							
32	2	26106-060552	BOLT, M6X 55 PLATED	2							
33	1	129900-49870	GASKET, THERMOSTAT	1							
34	1	23414-080000	GASKET, 8X1.0	1							
35	1	26106-080122	BOLT, M8X 12 PLATED	1							
36	1	26106-080602	BOLT, M8X 60 PLATED	3							
37	1	121450-42450	PLUG, M16	1							
38	1	121250-44901	SWITCH, THERMO 110	1							
39	1	124465-44950	GASKET, 16	2							
40	1	171056-49120	PLUG, DRAIN R1/4	1							
41	1	129907-49610	HOSE ASSY, WATER	1							
42	2	129907-49710	HOSE, WATER	1							
43	2	129907-49750	TUBE, CORRUGATED	1							
44	2	124722-59050	CLAMP, HOSE 9	2							
45	1	129907-49620	HOSE ASSY, WATER	1							
46	2	129907-49720	HOSE, WATER	1							
47	2	124722-59050	CLAMP, HOSE 9	2							
48	1	129150-49360	GASKET	1							Z

(A)=FROM 1ST)

Fig.11. FUEL INJECTION PUMP



(A)=4TNV98-XDB  
(B)=  
(C)=

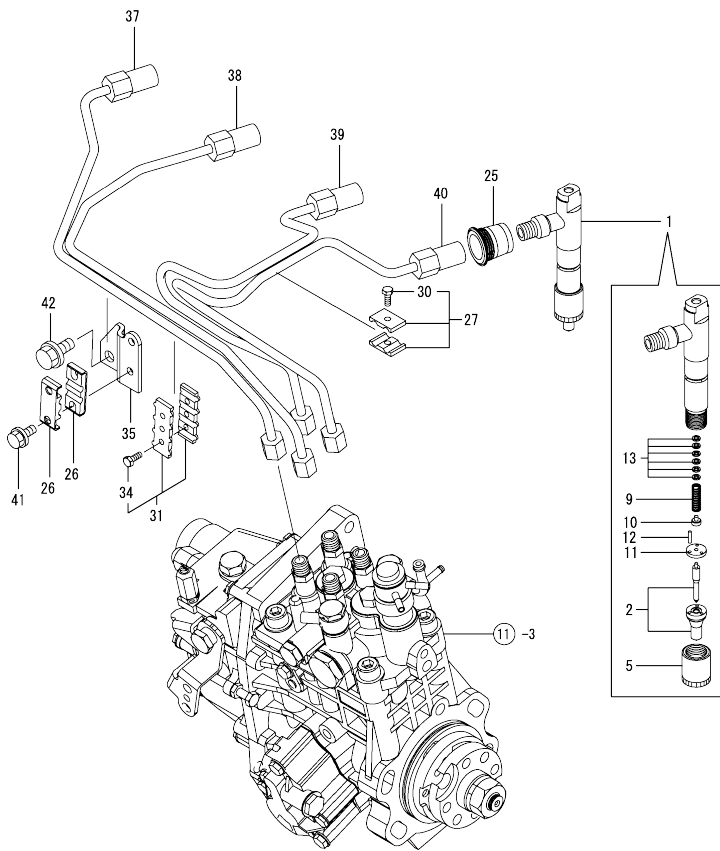
(D)=  
(E)=  
(F)=

No.	Lev.	Parts No.	Description	Q'ty						I	R
				(A)	(B)	(C)	(D)	(E)	(F)		
1	1	129907-01950	RETAINER, PUMP	1							
2	1	129907-01960	RETAINER, PUMP	1							
3	1	729907-51310	PUMP ASSY, INJECTION	1							
226	1	26106-080162	BOLT, M8X 16 PLATED	2							
227	1	26106-080222	BOLT, M8X 22 PLATED	2							
228	1	26106-080222	BOLT, M8X 22 PLATED	1							
229	1	26106-100202	BOLT, M10X 20 PLATED	1							
230	1	129209-61940	CASE ASSY	1							
232	2	129209-61960	CASE	1							1
233	2	24311-000150	O-RING, 1AP15.0	1							
235	1	119285-66650	CAP, HIGH-IDLE	1							1

Remarks  
(1) REPAIR PART.

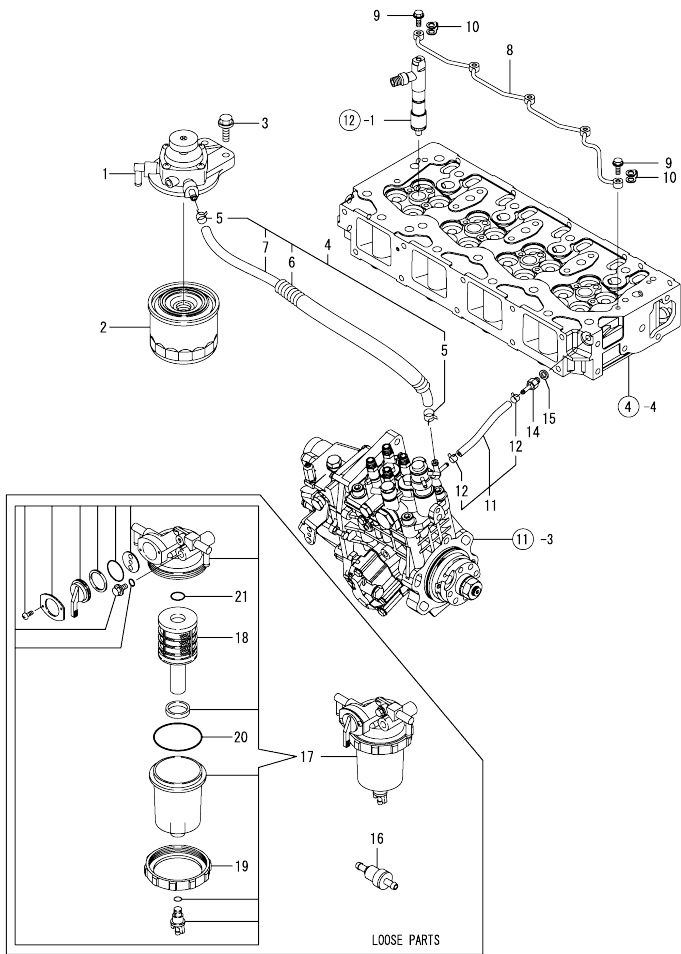


Fig.12. FUEL INJECTION VALVE



No.	Lev.	Parts No.	Description	Q'ty						I	R
				(A)	(B)	(C)	(D)	(E)	(F)		
1	1	729907-53100	FUEL INJECTOR ASSY	4							
2	2	129907-53000	NOZZLE ASSY, F.I.	4							
5	2	114250-53080	NUT, NOZZLE	4							
9	2	114250-53120	SPRING, NOZZLE	4							
10	2	114250-53130	SEAT, SPRING	4							
11	2	114250-53140	SPACER	4							
12	2	114250-53210	PIN	8							
13	2	114250-53400	SHIM SET	4							
25	1	123907-11601	SEAL, PIPE	4							
26	1	122780-59100	RETAINER	2							
27	1	119305-59120	RETAINER, PIPE	1							
30	2	129150-59131	BOLT, M4X14	1							
31	1	129550-59120	RETAINER, PIPE	1							
34	2	129150-59131	BOLT, M4X14	2							
35	1	129907-59710	SUPPORT	1							
37	1	129907-59810	PIPE ASSY, INJECTION	1							
38	1	129907-59820	PIPE ASSY, INJECTION	1							
39	1	129907-59830	PIPE ASSY, INJECTION	1							
40	1	129907-59840	PIPE ASSY, INJECTION	1							
41	1	26106-060162	BOLT, M6X 16 PLATED	2							
42	1	26106-080182	BOLT, M8X 18 PLATED	1							

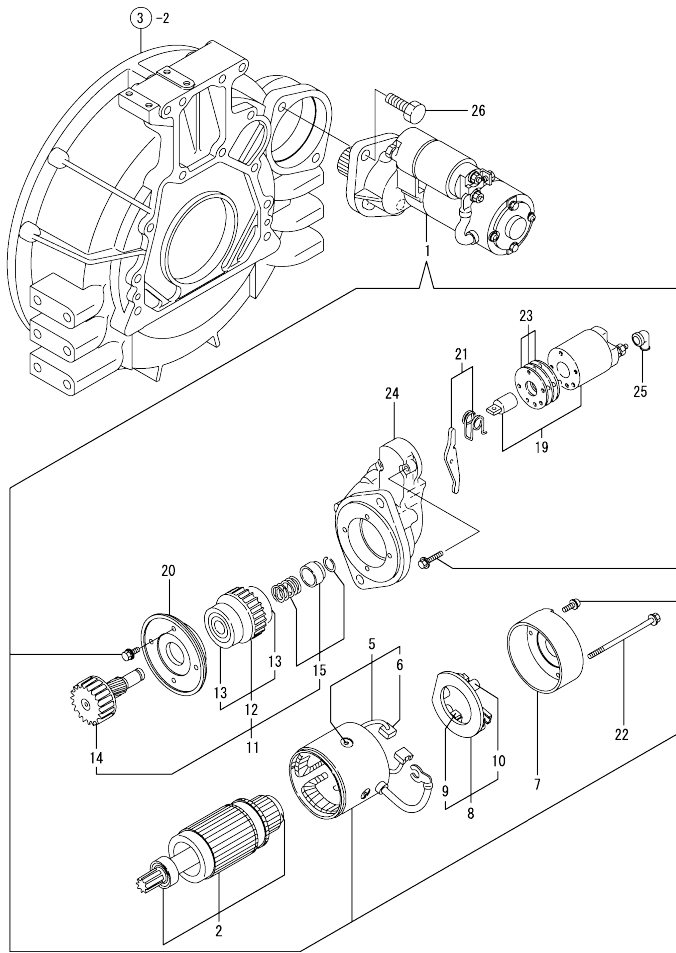
Fig.13. FUEL LINE



No.	Lev.	Parts No.	Description	Q'ty						I	R
				(A)	(B)	(C)	(D)	(E)	(F)		
1	1	119802-55610	BRACKET, FILTER	1							
2	1	119802-55800	FILTER, FUEL	1							
3	1	26106-080302	BOLT, M8X 30 PLATED	2							
4	1	129457-59010	HOSE ASSY, FUEL	1							
5	2	124766-59050	CLAMP, HOSE 11.5	2							
6	2	129957-59120	TUBE, CORRUGATED 15	1							
7	2	105025-59750	HOSE, FUEL	1							
8	1	129907-59140	PIPE ASSY, RETURN	1							
9	1	123907-59540	BOLT, PIPE JOINT M6	5							
10	1	123907-59550	GASKET	5							
11	1	129486-59551	HOSE ASSY, RETURN	1							
12	2	124722-59050	CLAMP, HOSE 9	2							
14	1	123907-59560	JOINT, HOSE	1							
15	1	22190-080002	WASHER, SEAL 6	1							
16	1	119802-59950	VALVE, CHECK	1							
17	1	129906-55700	SEPARATOR ASSY, WATER	1							
18	2	119802-55710	ELEMENT	1							
19	2	129100-55690	RING, CUP RETAINING	1							
20	2	24321-000650	O-RING, 1AG65.0	1							
21	2	24311-000160	O-RING, 1AP16.0	1							

OCV10-M89200 ENGINE (4TNV98-XDB)  
 Fig.14. STARTING MOTOR

OCV10-M89200 Fig.14

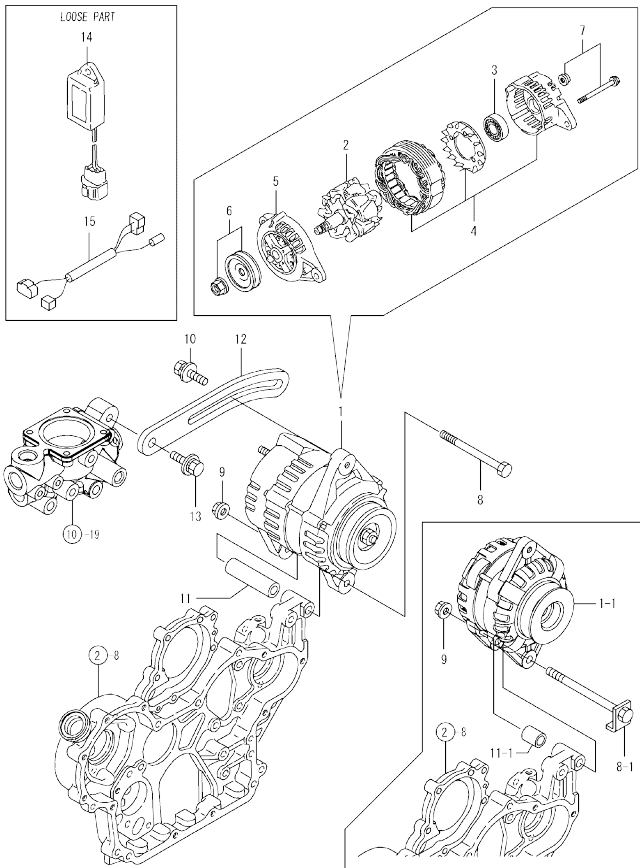


(A)=4TNV98-XDB  
 (D)=  
 (E)=  
 (F)=

No.	Lev.	Parts No.	Description	Q'ty						I	R
				(A)	(B)	(C)	(D)	(E)	(F)		
1	1	123900-77010	STARTER ASSY	1							
2	2	123900-77400	ARMATURE ASSY	1							
5	2	123900-77440	COIL ASSY, FIELD	1							
6	3	123900-77450	BRUSH	2							
7	2	123900-77460	COVER	1							
8	2	123900-77480	HOLDER ASSY, BRUSH	1							
9	3	123900-77450	BRUSH	2							
10	3	121254-77590	SPRING, BRUSH	4							
11	2	123900-77510	PINION ASSY	1							
12	3	123900-77520	CLUTCH ASSY	1							
13	4	X2240610100	BEARING, BALL	2							
14	3	123900-77540	SHAFT, PINION	1							
15	3	119131-77550	STOPPER SET, PINION	1							
19	2	129900-77591	SWITCH ASSY, MAGNET	1							
20	2	123900-77610	RETAINER, BEARING	1							
21	2	129900-77620	LEVER SET	1							
22	2	123900-77640	BOLT, THROUGH	2							
23	2	123900-77650	COVER KIT, DUST	1							
24	2	123900-77710	CASE, GEAR	1							
25	2	171008-77750	COVER, TERMINAL	1							
26	1	26116-120302	BOLT, M12X 30 PLATED	2							

N:Old  $\frac{100}{100}$  New, Q:Old  $\frac{100}{100}$  New, R:Old  $\frac{100}{100}$  New, S:Old  $\frac{100}{100}$  New, W:Add, Z:Discontinued, F:Interchangeable by set, K:Q'ty Change  
 Copyright (C) YANMAR GLOBAL CS CO., LTD. All Rights Reserved.

Fig.15. GENERATOR



(A)=4TNV98-XDB  
(B)=  
(C)=

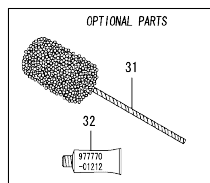
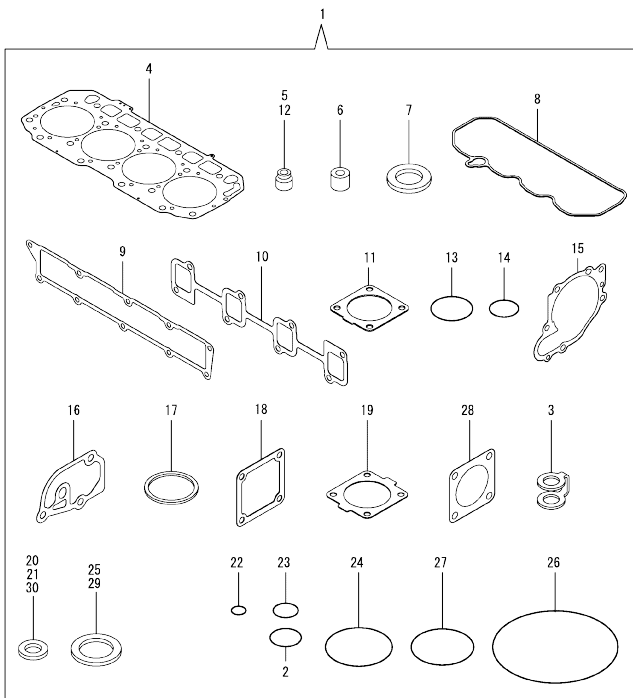
(D)=  
(E)=  
(F)=

No.	Lev.	Parts No.	Description	Qty						I	R
				(A)	(B)	(C)	(D)	(E)	(F)		
1	1	123900-77210	ALTERNATOR, 12V-60A	1							
1-1	1	129908-77210 (A=EM9472)	ALTERNATOR	1							F 1
2	2	123900-77700 (A=EM9472)	ROTOR ASSY	1							Z
3	2	129612-77710 (A=EM9472)	BEARING, BALL	1							Z
4	2	123900-77720 (A=EM9472)	BRACKET ASSY	1							Z
5	2	123900-77730 (A=EM9472)	BRACKET ASSY	1							Z
6	2	123900-77740 (A=EM9472)	PULLEY, GENERATOR	1							Z
7	2	123900-77750 (A=EM9472)	SCREW KIT	1							Z
8	1	26116-101202	BOLT, M10X120 PLATED	1							
8-1	1	129908-77220 (A=EM9472)	BOLT, STOPPER M10	1							F 1
9	1	26306-100002	NUT, M10	1							
10	1	119810-77340	BOLT, ADJUST L=30	1							
11	1	129470-77340	PIECE, DISTANCE	1							
11-1	1	129908-77360 (A=EM9472)	PIECE, DISTANCE	1							F 1
12	1	129916-77300	ADJUSTER, BELT	1							
13	1	26014-080252	BOLT, M8X 25	1							
14	1	129211-77920	TIMER	1							
15	1	129908-77940 (A=EM9472)	HARNESS	1							F 1

Remarks

(1)Interchangeable by simultaneous replacement with No.1-1, 8-1, 11-1, 15.

Fig.16. GASKET SET



Remarks  
(1) OPTIONAL PART.

No.	Lev.	Parts No.	Description	Q'ty						I	R
				(A)	(B)	(C)	(D)	(E)	(F)		
1	1	729907-92660	GASKET SET	1							1
2	2	24311-000150	O-RING, 1AP15.0	1							
3	2	123907-59550	GASKET	5							
4	2	129907-01330	GASKET, HEAD	1							
5	2	124160-11340	SEAL, VALVE STEM	8							
6	2	119802-11870	PROTECTOR, NOZZLE	4							
7	2	119625-11880	SEAT, NOZZLE	4							
8	2	129907-11310	GASKET, BONNET	1							
9	2	129907-12110	GASKET, MANIFOLD	1							
10	2	129900-13251	GASKET, EXH.MANIFOLD	1							
11	2	129930-13200	GASKET, SILENCER	1							
12	2	124950-11340	SEAL, VALVE STEM	8							
13	2	129900-32030	O-RING, P20	2							
14	2	129900-32040	O-RING, P14	1							
15	2	129900-42020	GASKET, WATER PUMP	1							
16	2	129900-49870	GASKET, THERMOSTAT	1							
17	2	121850-49550	GASKET, THERMOSTAT	1							
18	2	121850-77021	GASKET, AIR HEATER	1							
19	2	121850-49540	GASKET, THERMOSTAT	1							
20	2	23414-080000	GASKET, 8X1.0	3							
21	2	124465-44950	GASKET, 16	2							
22	2	24311-000070	O-RING, 1AP7.0	1							
23	2	24311-000120	O-RING, 1AP12.0	8							
24	2	24311-000320	O-RING, 1AP32.0	3							
25	2	22190-080002	WASHER, SEAL 6	7							
26	2	24341-000530	O-RING, 1AS53.0	1							
27	2	24351-030750	O-RING, 1A3075	1							
28	2	124240-01883	GASKET	1							
29	2	22190-220002	WASHER, SEAL 22	1							
30	2	129150-49360	GASKET	1							Z
(A)=FROM 1ST)											
31	1	129400-92450	HONE, FLEX	1							1
32	1	977770-01212	GASKET, LIQUID	1							1

## Parts No. Index

Parts No.	Fig. No.	Ref. No.	Parts No.	Fig. No.	Ref. No.	Parts No.	Fig. No.	Ref. No.	Parts No.	Fig. No.	Ref. No.	
105025-59750	13	7	123900-77400	14	2	129001-91810	2	25	129900-32030	9	5	
105582-59150	10	26	123900-77440	14	5	129005-59830	9	17		16	13	
114250-39450	9	12	123900-77450	14	6	129100-01580	2	5	129900-32040	2	23	
114250-53080	12	5			9		3	1		16	14	
114250-53120	12	9	123900-77460	14	7	129100-55690	13	19	129900-34800	9	1	
114250-53130	12	10	123900-77480	14	8	129150-02450	7	4	129900-35000	9	6	
114250-53140	12	11	123900-77510	14	11	129150-11230	4	36	129900-42020	10	11	
114250-53210	12	12	123900-77520	14	12			40		16	15	
114250-53400	12	13	123900-77540	14	14	129150-11750	4	21	129900-49870	10	33	
119000-35140	9	3	123900-77610	14	20			37		16	16	
119005-35151	9	4	123900-77640	14	22			41		14	19	
119117-44760	10	17	123900-77650	14	23	129150-14200	7	1	129900-77591	14	21	
119131-18320	6	4	123900-77700	15	2	129150-25920	7	14	129900-77620	14	21	
119131-77550	14	15	123900-77710	14	24	129150-49360	10	48	129902-21000	8	1	
119285-66650	11	235	123900-77720	15	4		16	30	129906-49810	10	19	
119305-59120	12	27	123900-77730	15	5			30	129906-55700	13	17	
119593-11301	4	28	123900-77740	15	6	129150-59131	12	30	129907-01190	1	33	
119620-11180	4	16	123900-77750	15	7			34	129907-01330	1	32	
119625-11880	4	26	123907-03100	4	55	129209-61940	11	230		16	4	
	16	7	123907-03110	4	56	129209-61960	11	232	129907-01500	2	8	
119640-01640	3	7	123907-03120	4	57	129211-77920	15	14	129907-01950	11	1	
119640-61400	4	62	123907-03140	4	58	129400-92450	16	31	129907-01960	11	2	
119802-11870	4	47	123907-11280	4	33	129457-59010	13	4	129907-03010	4	52	
	16	6	123907-11550	4	3	129470-77340	15	11	129907-03060	4	53	
119802-55610	13	1	123907-11601	12	25	129486-59551	13	11	129907-03070	4	54	
119802-55710	13	18	123907-11620	4	10	129550-59120	12	31	129907-11100	4	25	
119802-55800	13	2	123907-11830	4	22	129612-77710	15	3	129907-11110	4	14	
119802-59950	13	16	123907-11830	4	22	129900-01200	1	31	129907-11120	4	15	
119810-77340	15	10	123907-25909	7	17	129900-01250	1	5	129907-11250	4	30	
120130-22301	8	22	123907-39500	9	15	129900-01850	2	44	129907-11260	4	31	
121250-44901	10	38	123907-59540	13	9	129900-01870	2	45	129907-11270	4	32	
121254-77590	14	10	123907-59550	13	10	129900-02020	1	7	129907-11270	4	32	
121450-42450	10	37			16	3	129900-02340	1	34	129907-11310	4	61
121520-34810	9	2	123907-59560	13	14	129900-02410	1	10		16	8	
121850-21130	8	12	124160-01751	2	35	129900-02930	1	28	129907-11320	4	51	
121850-21290	8	5			4	50	129900-02940	1	37	129907-11341	4	29
121850-21920	8	6	124160-11340	4	17	129900-07900	4	1	129907-11510	4	19	
121850-49540	10	21			16	5	129900-13200	6	1	129907-11650	4	34
	16	19	124160-11360	4	65	129900-13251	6	2	129907-11660	4	38	
121850-49550	10	22	124240-01871	2	41			16	10	129907-11700	4	4
	16	17	124240-01883	2	42	129900-14100	7	7	129907-11800	4	9	
121850-49800	10	24			16	28	129900-21200	8	4	129907-11910	4	68
121850-77021	5	5	124465-44950	10	39	129900-21600	8	15	129907-11920	4	42	
	16	18			16	21	129900-23000	8	24	129907-11950	4	48
122780-59100	12	26	124722-59050	10	44	129900-23200	8	29	129907-12100	5	1	
123900-13610	6	6				47	129900-23600	8	30	129907-12110	5	2
123900-13630	6	3			13	12	129900-23610	8	32		16	9
123900-25060	7	10	124766-59050	13	5	129900-23910	8	28	129907-14400	7	2	
123900-77010	14	1	124950-11340	4	18	129900-25100	7	11	129907-14581	7	3	
123900-77210	15	1			16	12	129900-32001	2	11	129907-22050	8	18
			129001-91810	2	24	129900-32030	2	22	129907-22090	8	16	
									129907-39060	9	13	

## Parts No. Index

Parts No.	Fig. No.	Ref. No.
129907-42000	10	1
129907-49610	10	41
129907-49620	10	45
129907-49710	10	42
129907-49720	10	46
129907-49730	10	23
129907-49750	10	43
129907-53000	12	2
129907-59140	13	8
129907-59710	12	35
129907-59810	12	37
129907-59820	12	38
129907-59830	12	39
129907-59840	12	40
129908-14581	7	3 -1
129908-77210	15	1 -1
129908-77220	15	8 -1
129908-77360	15	11 -1
129908-77940	15	15
129915-77050	5	6
129916-01790	3	5
129916-01800	2	4
129916-21610	8	10
129916-21620	8	9
129916-42410	10	15
129916-44770	10	18
129916-49740	10	29
129916-77300	15	12
129927-42140	2	23 A
129930-13200	6	5
	16	11
129951-01740	2	6
129953-01710	3	6
129953-21560	8	13
129953-25300	7	16
129953-44710	10	16
129957-59120	13	6
129960-21640	8	8
129980-49530	10	20
129981-01600	3	2
171008-77750	14	25
171031-11741	2	37
171051-01921	1	6
171056-49120	10	40
22190-080002	9	18
		20
		22
	13	15
	16	25
22190-220002	3	10

Parts No.	Fig. No.	Ref. No.
22190-220002	16	29
22252-000300	8	23
22351-060012	1	11
22512-070140	7	8
	8	7
22857-500100	4	63
		64
23387-040800	10	27
23414-080000	10	28
		34
	16	20
23857-030000	9	19
23876-020000	4	11
23876-030000	1	12
		13
		14
	4	12
24311-000070	2	26
	16	22
24311-000120	4	27
		66
	16	23
24311-000150	11	233
	16	2
24311-000160	13	21
24311-000320	2	39
		40
	4	67
	16	24
24321-000650	13	20
24341-000530	8	11
	16	26
24351-030750	2	27
	16	27
	10	14
25153-004500	15	13
26014-080252	10	30
26106-060122	12	41
26106-060162	10	31
26106-060202	10	12
26106-060302	10	32
26106-060552	3	11
26106-080122	9	11
		21
		23
	10	35
26106-080162	2	28
		29
		36
		43

Parts No.	Fig. No.	Ref. No.
26106-080162	4	2
	7	9
	11	226
26106-080182	12	42
26106-080202	2	30
26106-080222	11	227
		228
26106-080302	13	3
26106-080352	5	7
26106-080402	2	31
		32
	4	44
26106-080452	2	33
26106-080552	5	3
	7	15
	10	13
26106-080602	4	45
		46
	10	36
26106-080852	5	4
26106-100202	11	229
26116-101202	15	8
26116-120302	14	26
26206-100352	3	4
26206-100702	3	3
26216-100302	2	10
26226-080222	4	43
26306-080002	4	49
	6	7
26306-100002	2	34
	15	9
27241-300000	1	15
27241-400000	4	13
27310-070001	4	23
729900-02800	1	25
729907-01559	2	1
729907-01560	1	1
729907-22910	8	34
729907-22950	8	36
729907-51310	11	3
729907-53100	12	1
729907-92660	16	1
977770-01212	2	38
	3	12
	4	69
	16	32
X2240610100	14	13

Parts No.	Fig. No.	Ref. No.
-----------	----------	----------