

0CD10-M86700EN

# PREFACE

- 1.This parts catalog is the Second edition of 4TNV98-YTBL1 for Takeuchi Mfg. Co., Ltd.
- 2.This parts catalog dose not contains the technical data needed for maintenance service.
- 3.The illustrations used in this parts catalog have been simplified for clarity.

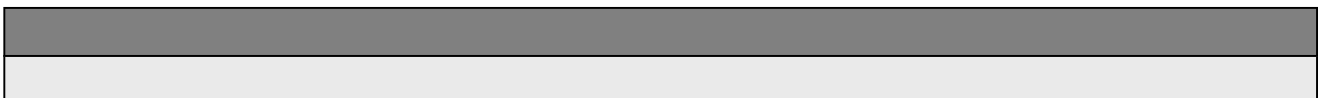
Pub. No.: 000Y00D8670

Published: June.,2005

#### 4. Model name

Engine model	Vehicle		Vehicle made by
	Products	Model name	
4TNV98-YTBL1	EXCAVATOR	A6L	Takeuchi Mfg. Co., Ltd.

- 5.The contents of this parts catalog are subject to change without prior notice.



## Directions for the Parts Catalog.

1. This Parts Catalog shows both standard and optional parts.
2. Parts may change without prior notice.
3. The following is an example of the Parts Catalog format.

REF.	LEV.	PARTS NO.	DESCRIPTION	Q'TY						I	R
				(A)	(B)	(C)	(D)	(E)	(F)		
1	1	729595-51390	FUEL INJECTION PUMP	1	1	1	1	1			1
1-1	1	729595-51391	FUEL INJECTION PUMP	1	1	1	1	1		N	1
		(A=E00185) (B=E00200)									
3	2	26022-060162	SCREW M 6X 16	9	9	9	9	9			
3-1	2	26022-060162	SCREW M 6X 16	4	4	4	4	4		K	
		(A=E00156) (B=E00156) (C=E00156) (D=E00156) (E=E00156)									
4	2	129470-51040	CAMSHAFT	1	1	1	1	1			
5	2	122710-51050	BEARING, ROLLER	2	2	2	2	2			
6	2	129470-51060	RETAINER	1	1	1	1	1			

Remarks
(1) BOOST COMPEMSATOR TYPE. OPTIONAL PART, TO E00155,(4JH-DT, 4JH-DTZ

### ① Ref. No.

The Ref. No. listed may not be in accordance with the illustration Ref. No.

(Ex.) Illustration No.

List Ref No.

1 1 (Before change) → 1-1 (After change)

For interchangeable symbols N, R and K, illustrations for new parts may be abbreviated.

### ② Lev. (Level)

Level indication

The numbers below indicate the level of relativity towards the main part.

1 ---- Main parts (Assembly parts)

2 ---- Sub component included in " 1 ".

3 ---- Sub component included in " 2 ".

Note) Parts that are not for sale are partially illustrated but not listed.

### ③ Interchangeability Symbol

When a part change takes place, one of the following interchangeability symbols is indicated beside the part.

Symbol	Interchangeability	Contents note
N	Old $\begin{matrix} \leftarrow \text{Yes} \\ \text{No} \rightarrow \end{matrix}$ New	New Part is interchangeable for Old Part but Old Part is not interchangeable for New Part.
Q	Old $\begin{matrix} \leftarrow \text{No} \\ \text{Yes} \rightarrow \end{matrix}$ New	New Part is not interchangeable for Old Part but Old Part is interchangeable for New Part.
R	Old $\begin{matrix} \leftarrow \text{Yes} \\ \text{Yes} \rightarrow \end{matrix}$ New	New/ Old Parts are both interchangeable.
S	Old $\begin{matrix} \leftarrow \text{No} \\ \text{No} \rightarrow \end{matrix}$ New	New/ Old Parts are both not interchangeable.
W		Part newly added.
Z		Part discontinued.
F		Not interchangeable by a single part but interchangeable together with related parts.
K		Changes only for used parts quantities.

### ④ Effective Machine No.

When a part changes, the effective Machine No. will be indicated in the (A)-(F) column.

Product Symbol	Product No.	Product Symbol	Product No.
C	Clutch No. Compressor No.	F	Machine No. (Agricultural Equip.)
D	Drive No.	M	Machine No.
E	Engine No.		

Note 1) A date may follow the symbol. (Ex.) 1996.01

Note 2) "XXXXX" and "ZZZZZ" are for parts that could not be predicted or for engine models that could not be identified.

Note 3) (A=E00185) is the E (Engine Serial Number) for the column (A) model (in this case 4JH-DT) after the parts design change.

### ⑤ Remarks

Figures or alphabets (symbols) are entered in the remarks column.

The comments (remarks) on parts that are indicated at the bottom of the illustration are the same symbols as those stated above.

## Contents

0CD10-M86700

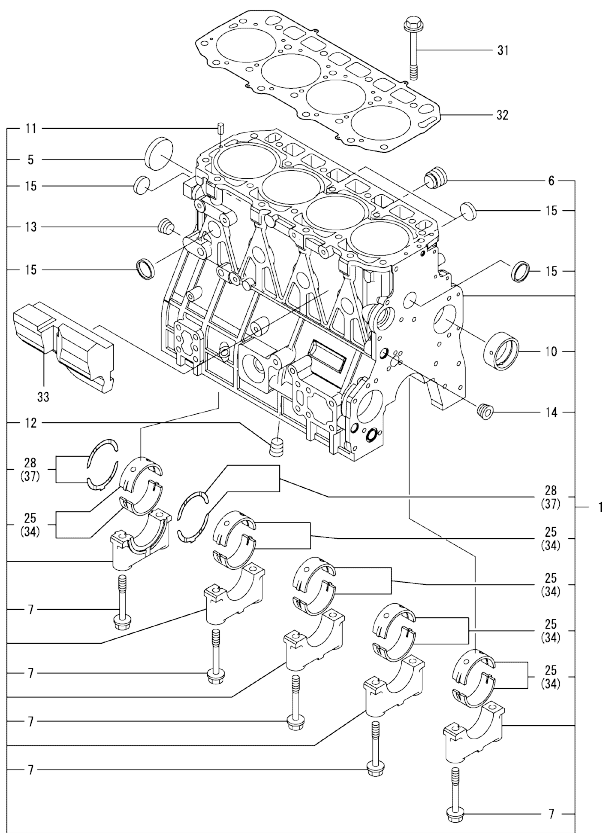
Fig. No.	Fig. Name	Fig. No.	Fig. Name
ENGINE SECTION			
1.	CYLINDER BLOCK		
2.	GEAR HOUSING		
3.	FLYWHEEL HOUSING & OIL SUMP		
4.	CYLINDER HEAD & BONNET		
5.	SUCTION MANIFOLD & AIR CLEANER		
6.	EXHAUST MANIFOLD & SILENCER		
7.	CAMSHAFT & DRIVING GEAR		
8.	CRANKSHAFT & PISTON		
9.	LUB.OIL SYSTEM		
10.	COOLING WATER SYSTEM		
11.	FUEL INJECTION PUMP		
12.	GOVERNOR		
13.	FUEL INJECTION VALVE		
14.	FUEL LINE		
15.	STARTING MOTOR		
16.	GENERATOR		
17.	GASKET SET		

OCD10-M86700 ENGINE SECTION  
 Fig.1. CYLINDER BLOCK

OCD10-M86700 Fig.1

(A)=4TNV98-YTBL1  
 (B)=  
 (C)=

(D)=  
 (E)=  
 (F)=



No.	Lev.	Parts No.	Description	Q'ty						I	R
				(A)	(B)	(C)	(D)	(E)	(F)		
1	1	729907-01560	BLOCK ASSY, CYLINDER	1							
5	2	129900-01250	PLUG, DISH TYPE 55	1							
6	2	171051-01921	PLUG, NPTF1	1							
7	2	129900-02020	BOLT, METAL CAP	10							
10	2	129900-02410	BUSH, CAMSHAFT	1							
11	2	22351-060012	PIN, SPRING 6.0X12	2							
12	2	23876-030000	PLUG, R03	1							
13	2	23876-030000	PLUG, R03	1							
14	2	23876-030000	PLUG, R03	1							
15	2	27241-300000	PLUG 30	8							
25	2	729900-02800	BEARING, MAIN	5							3
28	2	129900-02930	BEARING ASSY, THRUST	2							
31	1	129900-01200	BOLT, CYLINDER HEAD	18							
32	1	129907-01331	GASKET, HEAD	1							
33	1	129907-01190	SPACER	1							
34	1	129900-02340	BEARING ASSY, MAIN	5							1
37	1	129900-02940	BEARING, THRUST 0.25	2							2

Remarks  
 (1) UNDER-SIZE(U.S=0.25)PART.  
 (2) OVER-SIZE(O.S=0.25)PART.  
 (3) REPAIR PART.

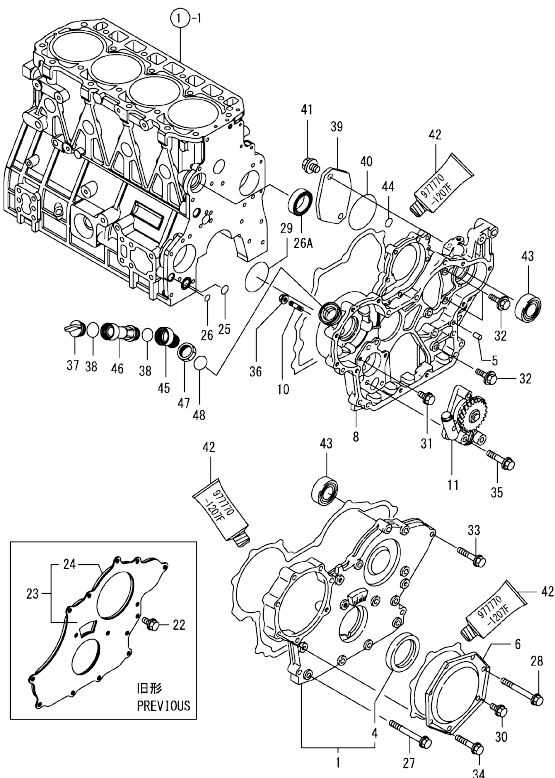
N:Old  $\frac{100}{100}$  New, Q:Old  $\frac{100}{100}$  New, R:Old  $\frac{100}{100}$  New, S:Old  $\frac{100}{100}$  New, W:Add, Z:Discontinued, F:Interchangeable by set, K:Q'ty Change  
 Copyright (C) YANMAR GLOBAL CS CO., LTD. All Rights Reserved.

OCD10-M86700 ENGINE SECTION  
 Fig.2. GEAR HOUSING

OCD10-M86700 Fig.2

(A)=4TNV98-YTBL1  
 (B)=  
 (C)=

(D)=  
 (E)=  
 (F)=

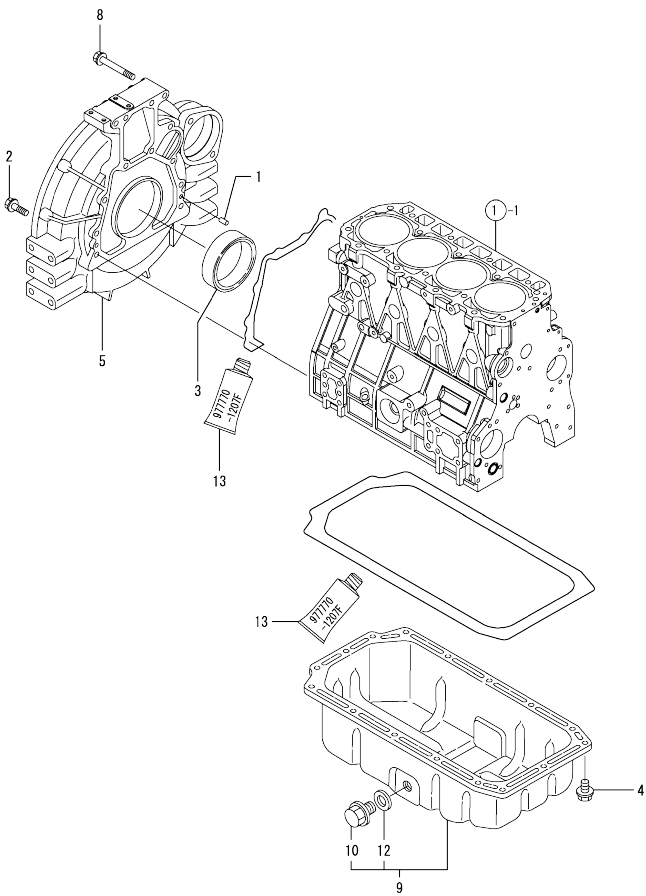


No.	Lev.	Parts No.	Description	Q'ty						I	R
				(A)	(B)	(C)	(D)	(E)	(F)		
1	1	729906-01550	COVER ASSY,GEAR CASE	1							
4	2	129916-01800	SEAL, OIL	1							
5	1	129100-01580	PIN, PARALLEL 8X16	4							
6	1	129900-01740	COVER	1							
8	1	129962-01500	CASE, GEAR	1							
10	1	26216-100302	STUD, M10X 30	4							
11	1	129900-32001	PUMP ASSY, OIL	1							
22	1	26106-080162	BOLT, M8X 16 PLATED	3							Z
		(A=2009.01)									
23	1	129900-01850	COVER ASSY,GEAR CASE	1							Z
		(A=2009.01)									
24	2	129900-01870	SPONGE, GEAR CASE	1							Z
		(A=2009.01)									
25	1	129900-32030	O-RING, P20	1							
26	1	129900-32040	O-RING, P14	1							
26A	1	129927-42140	GASKET, PUMP OUTLET	1							W
		(A=EW0252)									
27	1	129001-91810	BOLT, M8X70	6							
28	1	129001-91810	BOLT, M8X70	1							
29	1	24351-030750	O-RING, 1A3075	1							
30	1	26106-080162	BOLT, M8X 16 PLATED	1							
31	1	26106-080162	BOLT, M8X 16 PLATED	1							
32	1	26106-080202	BOLT, M8X 20 PLATED	3							
33	1	26106-080402	BOLT, M8X 40 PLATED	5							
34	1	26106-080402	BOLT, M8X 40 PLATED	5							
35	1	26106-080452	BOLT, M8X 45 PLATED	3							
36	1	26306-100002	NUT, M10	4							
37	1	124160-01751	CAP, FILLER	1							
38	1	24311-000320	O-RING, 1AP32.0	2							
39	1	121023-26070	COVER, PUMP	1							
40	1	24321-000850	O-RING, 1AG85.0	1							
41	1	26106-100202	BOLT, M10X 20 PLATED	2							
42	1	977770-1207F	GASKET LIQUID	1							1
43	1	129900-26250	BEARING, BALL 6206C3	2							
44	1	24311-000070	O-RING, 1AP7.0	1							
45	1	119225-11740	ADAPTER	1							
46	1	121027-11743	PIPE	1							
47	1	119225-11750	NUT	1							
48	1	24311-000300	O-RING, 1AP30.0	1							

Remarks  
 (1) OPTIONAL PART.

N:Old  $\frac{100}{100}$  New, Q:Old  $\frac{100}{100}$  New, R:Old  $\frac{100}{100}$  New, S:Old  $\frac{100}{100}$  New, W:Add, Z:Discontinued, F:Interchangeable by set, K:Q'ty Change  
 Copyright (C) YANMAR GLOBAL CS CO., LTD. All Rights Reserved.

Fig.3. FLYWHEEL HOUSING & OIL SUMP



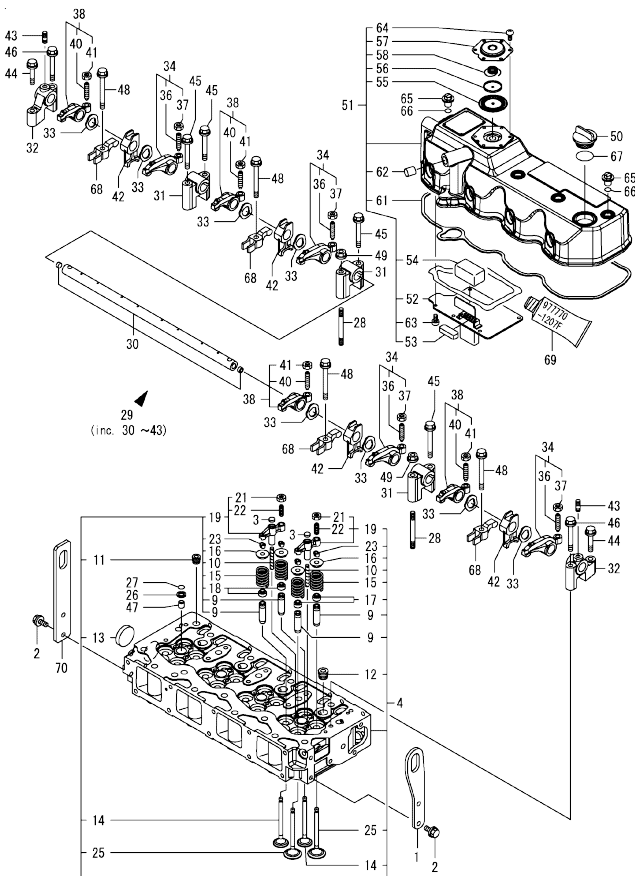
(A)=4TNV98-YTBL1  
(B)=  
(C)=

(D)=  
(E)=  
(F)=

No.	Lev.	Parts No.	Description	Q'ty						I	R		
				(A)	(B)	(C)	(D)	(E)	(F)				
1	1	129100-01580	PIN, PARALLEL 8X16										
2	1	26206-100352	BOLT, M10X 35 PLATED										
3	1	124411-01780	SEAL, HTC95X115X12										
4	1	26106-080122	BOLT, M8X 12 PLATED										
5	1	129953-01620	HOUSING, FLYWHEEL										
8	1	26206-100702	BOLT, M10X 70 PLATED										
9	1	129902-01710	OIL PAN ASSY										
10	2	119640-01640	PLUG, DRAIN M22										
12	2	22190-220002	WASHER, SEAL 22										
13	1	977770-1207F	GASKET,LIQUID										1

Remarks  
(1) OPTIONAL PART.

Fig.4. CYLINDER HEAD & BONNET



(A)=4TNV98-YTBL1  
(B)=  
(C)=

(D)=  
(E)=  
(F)=

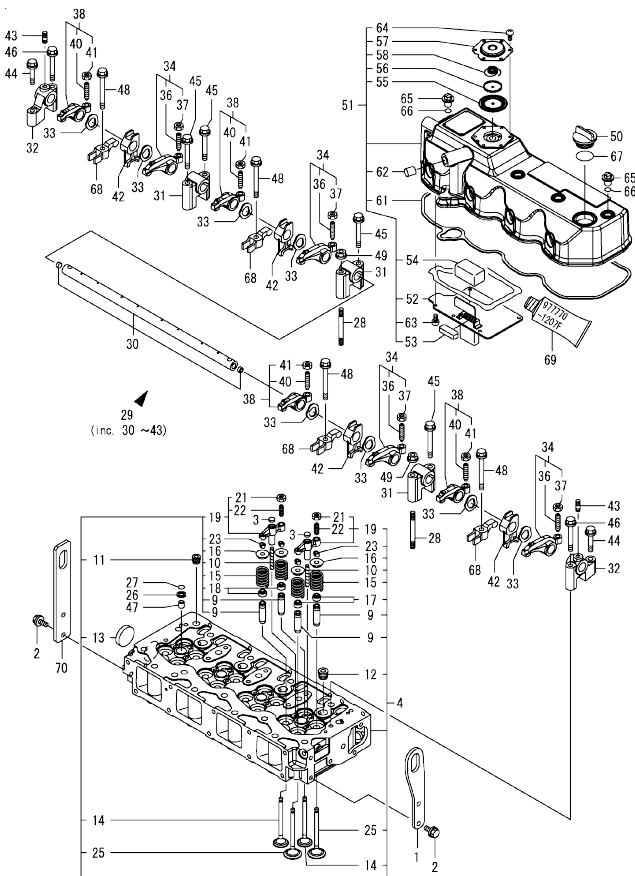
No.	Lev.	Parts No.	Description	Q'ty						I	R
				(A)	(B)	(C)	(D)	(E)	(F)		
1	1	129907-07900	LIFTER, ENGINE	1							
2	1	26106-080162	BOLT, M8X 16 PLATED	4							
3	1	123907-11550	SEAT, VALVE BRIDGE	8							
4	1	129907-11700	HEAD ASSY, CYLINDER	1							1
9	2	129907-11800	GUIDE, VALVE	16							
10	2	123907-11820	GUIDE, BRIDGE	8							
11	2	23876-020000	PLUG, R02	1							
12	2	23876-030000	PLUG, R03	4							
13	2	27241-400000	PLUG, 40	1							
14	2	129907-11110	VALVE, EXHAUST	8							
15	2	129907-11120	SPRING, VALVE	16							
16	2	119620-11180	RETAINER, SPRING	16							
17	2	124160-11340	SEAL, VALVE STEM	8							
18	2	124950-11340	SEAL, VALVE STEM	8							
19	2	129907-11510	BRIDGE ASSY, VALVE	8							
21	3	129150-11750	NUT, M8	8							
22	3	123907-11830	ADJUSTER	8							
23	2	27310-070001	COTTER, 7	16							
25	2	129907-11100	VALVE, SUCTION	8							
26	1	119625-11880	SEAT, NOZZLE	4							
27	1	24311-000120	O-RING, 1AP12.0	4							
28	1	119593-11301	BOLT, STUD M8X80	2							
29	1	129907-11341	SHAFT ASSY, ROCKER	1							
30	2	129907-11250	SHAFT, ROCKER ARM	1							
31	2	129907-11260	SUPPORT, ROCKER ARM	3							
32	2	129907-11270	SUPPORT, ROCKER ARM	2							
33	2	123907-11280	WASHER	8							
34	2	129907-11650	ARM ASSY, ROCKER	4							
36	3	129150-11230	SCREW, VALVE ADJUST	4							
37	3	129150-11750	NUT, M8	4							
38	2	129907-11660	ARM ASSY, ROCKER	4							
40	3	129150-11230	SCREW, VALVE ADJUST	4							
41	3	129150-11750	NUT, M8	4							
42	2	129907-11920	RETAINER, NOZZLE	4							
43	2	26226-080222	STUD, M8X 22	2							
44	1	26106-080402	BOLT, M8X 40 PLATED	2							
45	1	26106-080602	BOLT, M8X 60 PLATED	4							
46	1	26106-080602	BOLT, M8X 60 PLATED	2							
47	1	119802-11870	PROTECTOR, NOZZLE	4							
48	1	129907-11950	BOLT, M8X75	4							
49	1	26306-080002	NUT, M8	2							
50	1	124160-01751	CAP, FILLER	1							
51	1	129907-11320	BONNET ASSY, HEAD	1							
52	2	129907-03011	PLATE, BAFFLE	1							
53	2	129907-03061	BAFFLE, BREATHER	1							
54	2	129907-03070	BAFFLE, BREATHER	1							
55	2	123907-03100	DIAPHRAGM	1							
56	2	123907-03110	PLATE	1							
57	2	123907-03120	PLATE, BREATHER	1							
58	2	123907-03140	SPRING, DIAPHRAGM	1							
61	2	129907-11310	GASKET, BONNET	1							

Remarks

- (1) REPAIR PART.
- (2) OPTIONAL PART.



Fig.4. CYLINDER HEAD & BONNET



(A)=4TNV98-YTBL1  
(B)=  
(C)=

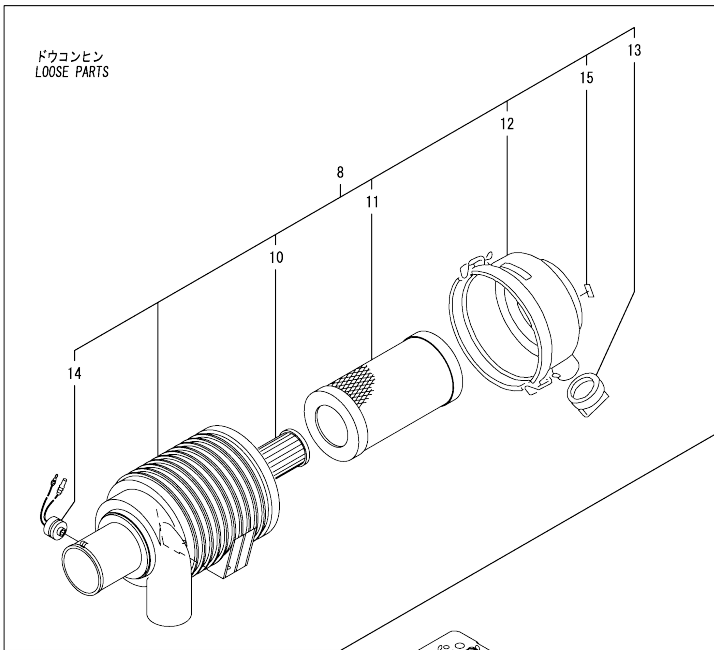
(D)=  
(E)=  
(F)=

No.	Lev.	Parts No.	Description	Q'ty						I	R
				(A)	(B)	(C)	(D)	(E)	(F)		
62	2	119640-61400	PLUG	1							
63	2	22857-500100	SCREW, 5X10	6							
64	2	22857-500100	SCREW, 5X10	6							
65	1	124160-11360	KNOB	4							
66	1	24311-000120	O-RING, 1AP12.0	4							
67	1	24311-000320	O-RING, 1AP32.0	1							
68	1	129907-11910	RETAINER, NOZZLE	4							
69	1	977770-1207F	GASKET LIQUID	1							2
70	1	129944-07910	LIFTER	1							

Remarks

- (1) REPAIR PART.
- (2) OPTIONAL PART.

Fig.5. SUCTION MANIFOLD & AIR CLEANER



ドウコンピン  
LOOSE PARTS

(A)=4TNV98-YTBL1  
(B)=  
(C)=

(D)=  
(E)=  
(F)=

No.	Lev.	Parts No.	Description	Q'ty						I	R
				(A)	(B)	(C)	(D)	(E)	(F)		
1	1	129907-12100	MANIFOLD, AIR INTAKE	1							
2	1	129907-12110	GASKET, MANIFOLD	1							
3	1	26106-080552	BOLT, M8X 55 PLATED	9							
4	1	26106-080852	BOLT, M8X 85 PLATED	1							
5	1	121850-77021	GASKET, AIR HEATER	1							
6	1	129915-77050	HEATER, AIR 12V	1							
7	1	26106-080352	BOLT, M8X 35 PLATED	4							
8	1	129944-12520	CLEANER ASSY, AIR	1							
10	2	119160-12570	ELEMENT, INNER	1							
11	2	129935-12520	ELEMENT, OUTER	1							
12	2	119160-12530	COVER ASSY	1							
13	2	119160-12540	VALVE	1							
14	2	119140-12680	INDICATOR, CLEANER	1							
15	2	129612-12650	LABEL, MARKING	1							

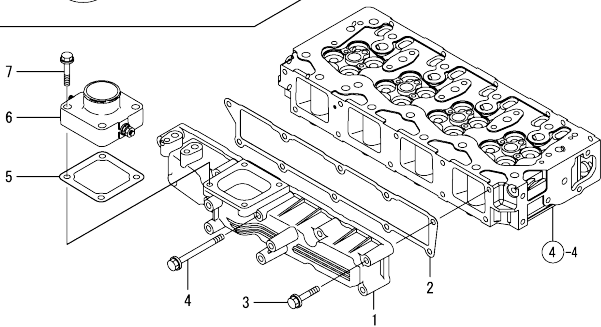
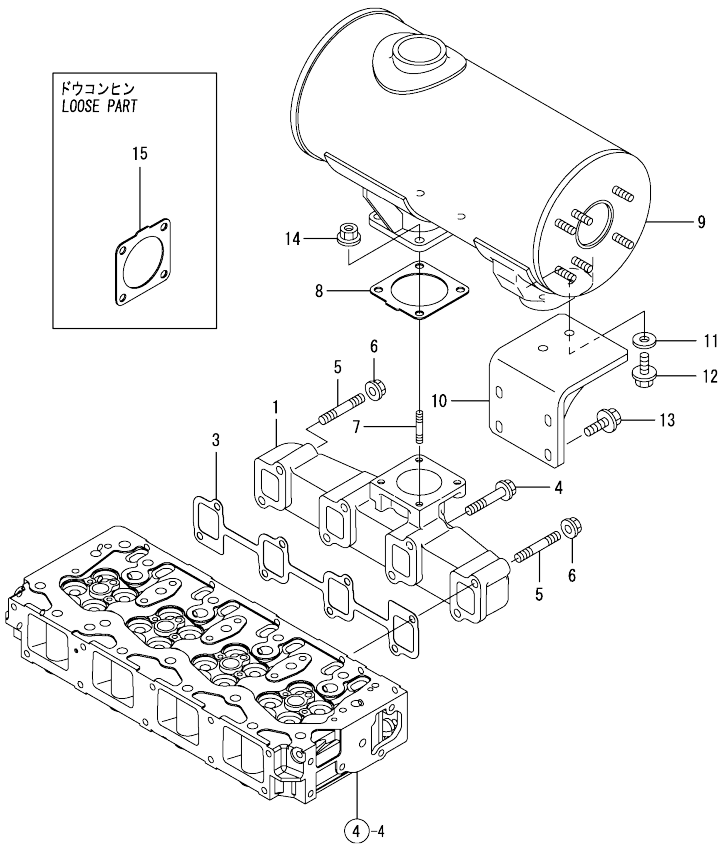


Fig.6. EXHAUST MANIFOLD & SILENCER

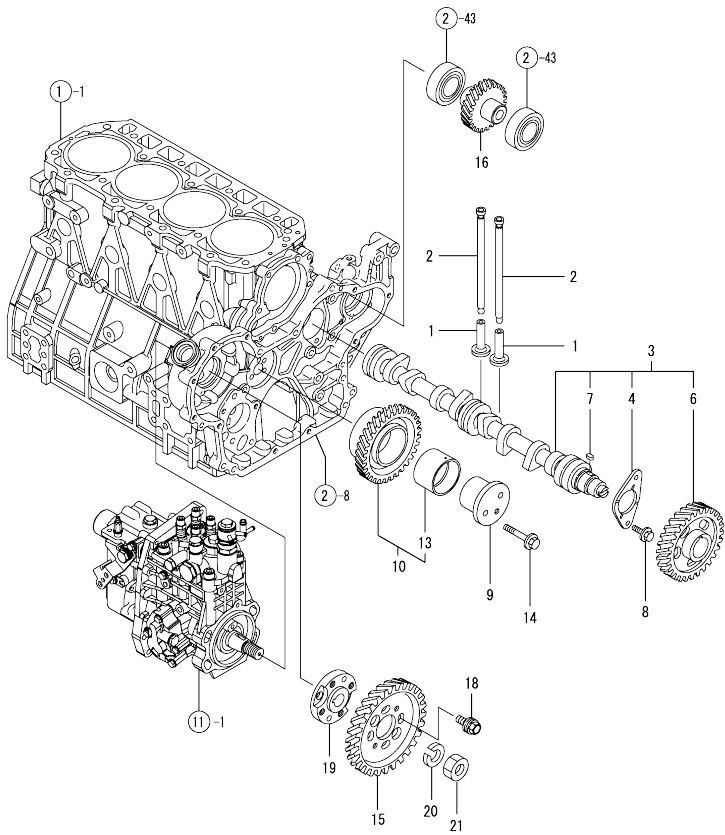


(A)=4TNV98-YTBL1  
(B)=  
(C)=

(D)=  
(E)=  
(F)=

No.	Lev.	Parts No.	Description	Q'ty						I	R
				(A)	(B)	(C)	(D)	(E)	(F)		
1	1	129900-13200	MANIFOLD, EXHAUST	1							
3	1	129900-13251	GASKET, EXH.MANIFOLD	1							
4	1	123900-13630	BOLT, M8X80	6							
5	1	123900-13610	BOLT, STUD M8X80	2							
6	1	26306-080002	NUT, M8	2							
7	1	119131-18320	BOLT, STUD M8X22	4							
8	1	129930-13201	GASKET, SILENCER	1							
9	1	129944-13520	SILENCER	1							
10	1	129944-13660	STAY, SILENCER	1							
11	1	22157-080000	WASHER, 8	2							
12	1	26106-080162	BOLT, M8X 16 PLATED	2							
13	1	26106-080202	BOLT, M8X 20 PLATED	4							
14	1	26306-080002	NUT, M8	4							
15	1	129930-13201	GASKET, SILENCER	1							

Fig.7. CAMSHAFT & DRIVING GEAR



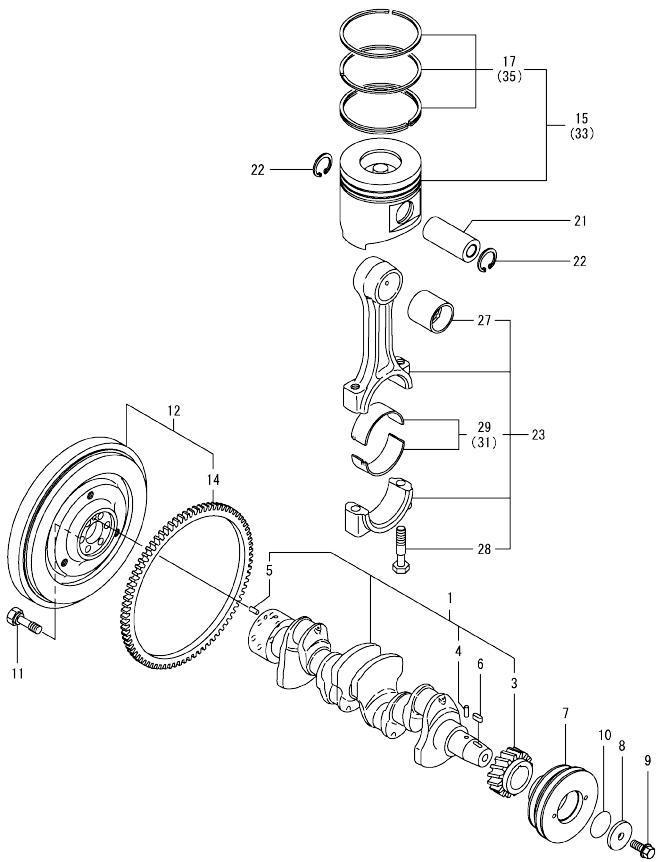
(A)=4TNV98-YTBL1  
(B)=  
(C)=

(D)=  
(E)=  
(F)=

No.	Lev.	Parts No.	Description	Q'ty						I	R
				(A)	(B)	(C)	(D)	(E)	(F)		
1	1	129150-14200	TAPPET	8							
2	1	129907-14400	PUSH-ROD	8							
3	1	129907-14590	CAMSHAFT ASSY	1							
3-1	1	129908-14590	CAMSHAFT ASSY	1							N
		(A=EZZZZZ)									
4	2	129150-02450	BEARING, THRUST	1							
6	2	129900-14110	GEAR, CAMSHAFT	1							
7	2	22512-070140	KEY, 7X 14	1							
8	1	26106-080162	BOLT, M8X 16 PLATED	2							
9	1	123900-25060	SHAFT, IDLE GEAR	1							
10	1	129900-25110	GEAR ASSY, IDLE	1							
13	2	129150-25920	BUSH, IDLE GEAR	1							1
14	1	26106-080552	BOLT, M8X 55 PLATED	3							
15	1	129907-25900	GEAR, PUMP	1							
16	1	129900-26020	GEAR ASSY, PUMP	1							
18	1	129953-25300	BOLT	4							
19	1	158563-51150	FLANGE	1							
20	1	22217-180000	WASHER, SPRING 18	1							
21	1	26776-180002	NUT, LOCK M18	1							

Remarks  
(1) REPAIR PART.

Fig.8. CRANKSHAFT & PISTON



(A)=4TNV98-YTBL1  
(B)=  
(C)=

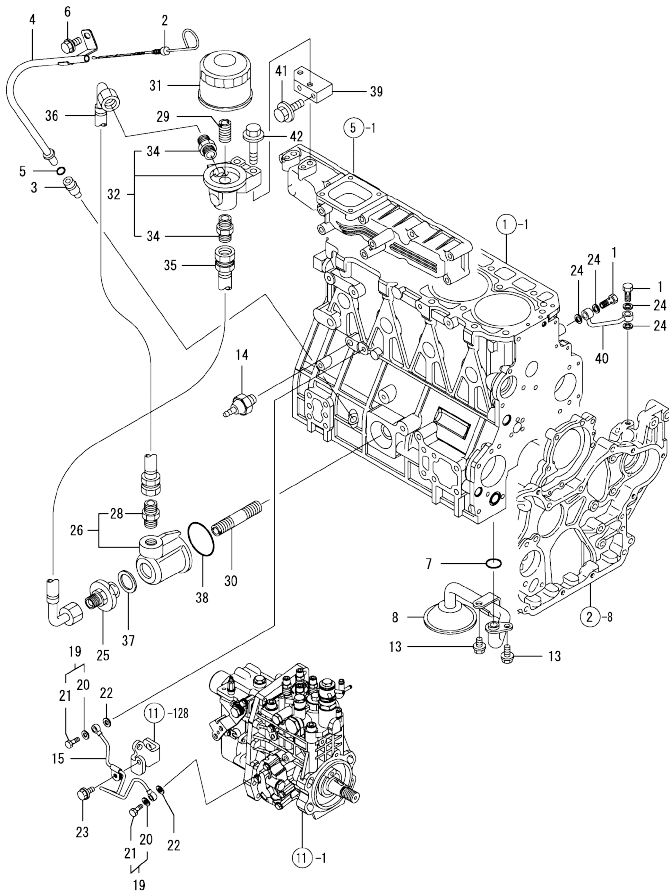
(D)=  
(E)=  
(F)=

No.	Lev.	Parts No.	Description	Q'ty						I	R
				(A)	(B)	(C)	(D)	(E)	(F)		
1	1	129902-21050	CRANKSHAFT ASSY	1							
3	2	129900-21220	GEAR, CRANKSHAFT	1							
4	2	121850-21290	PIN	1							
5	2	121850-21920	PIN, PARALLEL 10X22	1							
6	1	22512-070140	KEY, 7X 14	1							
7	1	129916-21680	V-PULLEY, CRANKSHAFT	1							
8	1	129960-21640	WASHER	1							
9	1	129916-21610	BOLT	1							
10	1	24341-000530	O-RING, 1AS53.0	1							
11	1	121850-21130	BOLT, FLYWHEEL	6							
12	1	129953-21570	FLYWHEEL ASSY	1							
14	2	129900-21600	GEAR, RING	1							
15	1	129907-22090	PISTON ASSY, 18.5	4							
17	2	129907-22050	RING SET, PISTON	4							
21	1	120130-22301	PIN, PISTON	4							
22	1	22252-000300	RING, 30	8							
23	1	129900-23001	ROD ASSY, CONNECTING	4							
27	2	129900-23911	BEARING, PISTON PIN	4							1
28	2	129900-23200	BOLT, CONNECTING ROD	8							
29	2	129900-23600	BEARING, CRANK PIN	4							
31	1	129900-23610	BEARING ASSY, 0.25US	4							2
33	1	729907-22910	PISTON ASSY, 0.25 OS	4							3
35	2	729907-22950	RING SET, 0.25 OS	4							3

Remarks  
(1) REPAIR PART.  
(2) UNDER-SIZE(U.S=0.25)PART.  
(3) OVER-SIZE(O.S=0.25)PART.

OCD10-M86700 ENGINE SECTION  
 Fig.9. LUB.OIL SYSTEM

OCD10-M86700 Fig.9



(A)=4TNV98-YTBL1  
 (B)=  
 (C)=

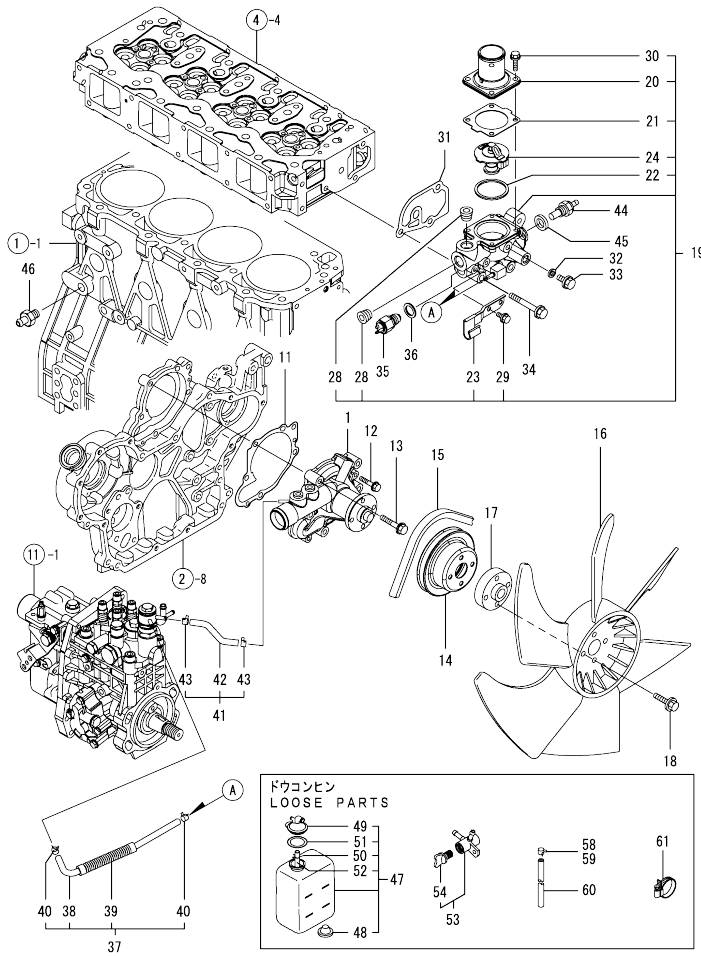
(D)=  
 (E)=  
 (F)=

No.	Lev.	Parts No.	Description	Qty						I	R
				(A)	(B)	(C)	(D)	(E)	(F)		
1	1	105010-39140	BOLT, PIPE JOINT	2							
2	1	129951-34801	DIPSTICK	1							
3	1	119260-34810	GUIDE, DIPSTICK	1							
4	1	129951-34812	GUIDE, DIPSTICK	1							
5	1	24311-240100	O-RING, 1AP10A	1							
6	1	26106-080162	BOLT, M8X 16 PLATED	1							
7	1	129900-32030	O-RING, P20	1							
8	1	129900-35000	PIPE ASSY, OIL INLET	1							
13	1	26106-080122	BOLT, M8X 12 PLATED	2							
14	1	114250-39450	SWITCH, HYDRAULIC	1							
15	1	129907-39061	PIPE ASSY, OIL	1							
19	1	129005-59830	BOLT ASSY, JOINT M8	2							
20	2	22190-080002	WASHER, SEAL 6	2							
21	2	23857-030000	BOLT, JOINT 3	2							
22	1	22190-080002	WASHER, SEAL 6	2							
23	1	26106-080122	BOLT, M8X 12 PLATED	1							
24	1	22190-080002	WASHER, SEAL 6	4							
25	1	129953-35110	RETAINER, CASE	1							
26	1	129944-35110	CASE ASSY	1							
28	2	129953-39500	ADAPTER, R-G1/2	1							
29	1	119000-35140	BOLT, STUD FILTER	1							
30	1	129970-35140	BOLT, FILTER	1							
31	1	129150-35153	FILTER ASSY, D80X80L	1							1
32	1	129944-35210	BRACKET ASSY	1							
34	2	129953-39500	ADAPTER, R-G1/2	2							
35	1	129953-39100	PIPE ASSY, OIL	1							
36	1	129944-39100	PIPE, OIL	1							
37	1	22190-300002	WASHER, SEAL 30	1							
38	1	24321-000600	O-RING, 1AG60.0	1							
39	1	129944-35150	SPACER	1							
40	1	129930-39050	PIPE, OIL	1							
41	1	26106-080502	BOLT, M8X 50 PLATED	2							
42	1	26106-100452	BOLT, M10X 45 PLATED	2							

Remarks  
 (1) REPAIR PART.

N:Old  $\frac{100}{100}$  New, Q:Old  $\frac{100}{100}$  New, R:Old  $\frac{100}{100}$  New, S:Old  $\frac{100}{100}$  New, W:Add, Z:Discontinued, F:Interchangeable by set, K:Qty Change  
 Copyright (C) YANMAR GLOBAL CS CO., LTD. All Rights Reserved.

Fig.10. COOLING WATER SYSTEM



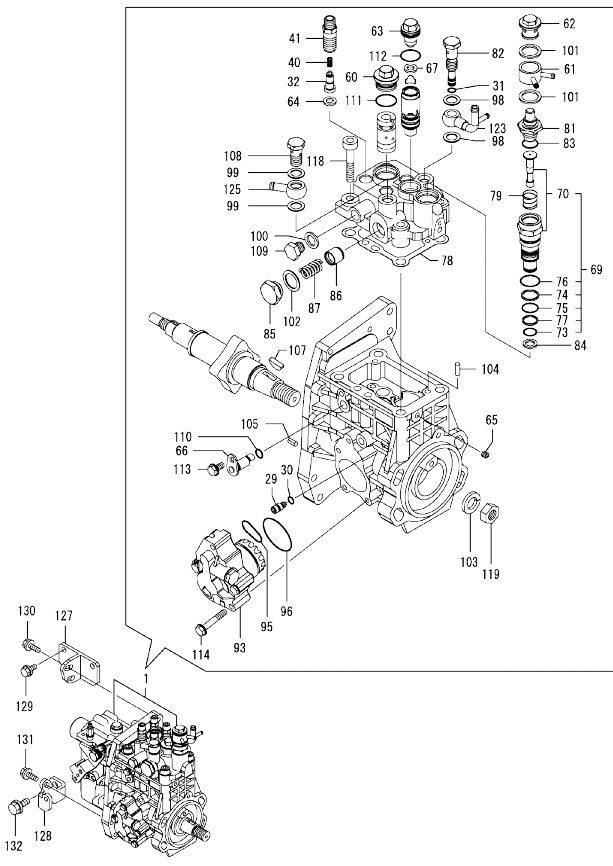
(A)=4TNV98-YTBL1  
(B)=  
(C)=

(D)=  
(E)=  
(F)=

No.	Lev.	Parts No.	Description	(A)	(B)	(C)	(D)	(E)	(F)	I	R
1	1	129907-42000	PUMP ASSY, WATER	1							
11	1	129900-42020	GASKET, WATER PUMP	1							
12	1	26106-060302	BOLT, M6X 30 PLATED	2							
13	1	26106-080552	BOLT, M8X 55 PLATED	5							
14	1	129900-42461	V-PULLEY, C.W.PUMP	1							
15	1	129940-42320	V-BELT, A41	1							
16	1	129916-44740	FAN, COOLING D=430	1							
17	1	119130-44760	SPACER, FAN	1							
18	1	26106-080352	BOLT, M8X 35 PLATED	4							
19	1	129946-49810	CASE ASSY,THERMOSTAT	1							
20	2	129916-49530	COVER, THERMOSTAT	1							
21	2	121850-49540	GASKET, THERMOSTAT	1							
22	2	121850-49550	GASKET, THERMOSTAT	1							
23	2	129907-49730	RETAINER, PIPE	1							
24	2	121850-49800	THERMOSTAT, 82C	1							
28	2	23875-030000	PLUG, R03	2							
29	2	26106-060122	BOLT, M6X 12 PLATED	1							
30	2	26106-060202	BOLT, M6X 20 PLATED	4							
31	1	129900-49870	GASKET, THERMOSTAT	1							
32	1	23414-080000	GASKET, 8X1.0	1							
33	1	26106-080122	BOLT, M8X 12 PLATED	1							
34	1	26106-080602	BOLT, M8X 60 PLATED	3							
35	1	121250-44901	SWITCH, THERMO 110	1							
36	1	124465-44950	GASKET, 16	1							
37	1	129907-49610	HOSE ASSY, WATER	1							
38	2	129907-49710	HOSE, WATER	1							
39	2	129907-49750	TUBE, CORRUGATED	1							
40	2	124722-59050	CLAMP, HOSE 9	2							
41	1	129907-49620	HOSE ASSY, WATER	1							
42	2	129907-49720	HOSE, WATER	1							
43	2	124722-59050	CLAMP, HOSE 9	2							
44	1	119266-49350	SENSOR, WATER TEMP.	1							
45	1	129150-49360	GASKET	1							
46	1	121550-49111	JOINT, PT1/4	1							
47	1	129466-44510	TANK ASSY, SUB	1							
48	2	121468-44540	PLUG	1							
49	2	121450-44531	CAP	1							
50	2	124450-44560	CLAMP, HOSE	1							
51	2	121470-44581	GASKET	1							
52	2	121267-44590	PIPE	1							
53	1	129150-49100	COCK ASSY, 3-WAY	1							
54	2	129150-49080	COCK, DRAIN	1							
58	1	121250-44590	CLAMP, HOSE	2							
59	1	124722-59050	CLAMP, HOSE 9	1							
60	1	105840-59100	PIPE	1							
61	1	23000-054000	CLAMP, 54	4							

N:Old  $\frac{100}{100}$  New, Q:Old  $\frac{100}{100}$  New, R:Old  $\frac{100}{100}$  New, S:Old  $\frac{100}{100}$  New, W:Add, Z:Discontinued, F:Interchangeable by set, K:Qty Change  
Copyright (C) YANMAR GLOBAL CS CO., LTD. All Rights Reserved.

Fig.11. FUEL INJECTION PUMP



(A)=4TNV98-YTBL1  
(B)=  
(C)=

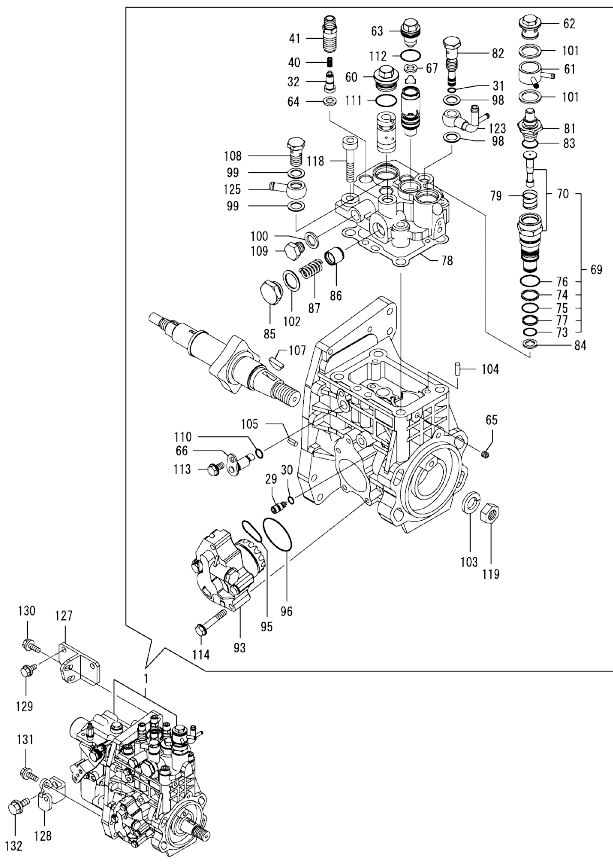
(D)=  
(E)=  
(F)=

No.	Lev.	Parts No.	Description	Q'ty						I	R	
				(A)	(B)	(C)	(D)	(E)	(F)			
1	1	729944-51310	PUMP ASSY, INJECTION	1							1	
29	2	158600-51270	STOPPER, TAPPET	1								
30	2	158563-51281	O-RING, 4D S6	1								
31	2	158563-51281	O-RING, 4D S6	1								
32	2	158560-51300	VALVE ASSY, DELIVERY	4								
40	2	158563-51330	SPRING, DELIVERY	4								
41	2	129907-51340	HOLDER, DELIVERY	4								
60	2	158601-51550	PLUG, M22	1								
61	2	158553-51551	JOINT, COOLING WATER	1								
62	2	158601-51570	PLUG	1								
63	2	129907-51560	PLUG, M16	1								
64	2	158552-51570	GASKET, PLUG	4								
65	2	158557-51570	PLUG, RACK	1								
66	2	158552-51580	LIFTER, LINK	1								
67	2	129906-51580	GASKET, PLUG	1								
69	2	119802-51590	TIMER ASSY	1								
70	3	119802-51600	TIMER ASSY	1								
73	3	158553-51670	O-RING	1								
74	3	119802-51680	RING, BACKUP	1								
75	3	119802-51690	O-RING	1								
76	3	24356-010200	O-RING, 4D1020	1								
77	3	24372-000150	RING, BACK UP T2P15	1								
78	2	158560-51600	GASKET	1								
79	2	158553-51630	SPRING, TIMER	1								
81	2	158553-51640	THERMOELEMENT	1								
82	2	158601-51650	JOINT, OVER FLOW	1								
83	2	158553-51660	O-RING, P14	1								
84	2	158553-51680	GASKET, TIMER	1								
85	2	158601-51790	PLUG	1								
86	2	158601-51770	PISTON, ACCUMULATOR	1								
87	2	158552-51780	SPRING, ACCUMULATOR	1								
93	2	158552-52100	PUMP ASSY, FUEL FEED	1								
95	2	158552-52310	O-RING	1								
96	2	158552-52400	O-RING, 4E S42	1								
98	2	22190-120002	WASHER, SEAL 12	2								
99	2	22190-120002	WASHER, SEAL 12	2								
100	2	22190-120002	WASHER, SEAL 12	1								
101	2	22190-180002	WASHER, SEAL 18	2								
102	2	22190-180002	WASHER, SEAL 18	1								
103	2	2217-180000	WASHER, SPRING 18	1								
104	2	22312-050140	PIN, PARALLEL M5X14	2								
105	2	22351-050010	PIN, SPRING 5.0X10	2								
107	2	144626-51090	FEATHER KEY, 5X19	1								
108	2	23857-060000	BOLT, JOINT 6	1								
109	2	23887-120002	PLUG, 12	1								
110	2	24311-000070	O-RING, 1AP7.0	1								
111	2	24356-010200	O-RING, 4D1020	1								
112	2	24356-020210	O-RING, 4D2021	1								
113	2	26106-060102	BOLT, M6X 10 PLATED	1								
114	2	26106-060352	BOLT, M6X 35 PLATED	4								
118	2	26450-100452	BOLT, M10X 45	4								

Remarks  
(1) GOVERNOR ASSY(FIG.12) IS INCORPORATED IN THIS FOP.CMP (REF.NO.1).



Fig.11. FUEL INJECTION PUMP



(A)=4TNV98-YTBL1  
(B)=  
(C)=

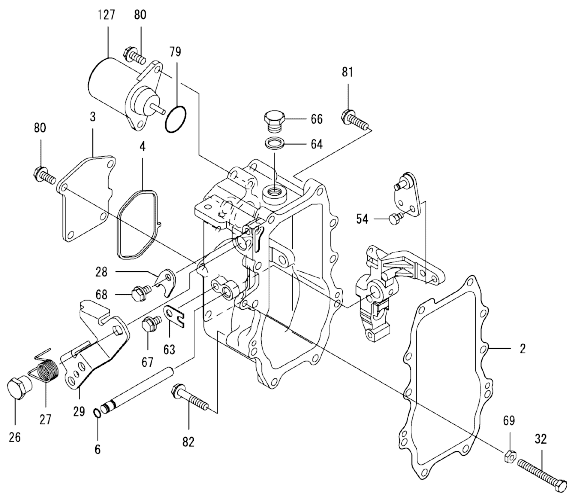
(D)=  
(E)=  
(F)=

No.	Lev.	Parts No.	Description	Q'ty						I	R
				(A)	(B)	(C)	(D)	(E)	(F)		
119	2	26776-180002	NUT, LOCK M18	1							
123	2	158552-51670	JOINT, OVER FLOW	1							
125	2	129916-59020	JOINT, PIPE 12	1							
127	1	129907-01950	RETAINER, PUMP	1							
128	1	129907-01960	RETAINER, PUMP	1							
129	1	26106-080162	BOLT, M8X 16 PLATED	2							
130	1	26106-080222	BOLT, M8X 22 PLATED	2							
131	1	26106-080222	BOLT, M8X 22 PLATED	1							
132	1	26106-100202	BOLT, M10X 20 PLATED	1							

Remarks  
(1) GOVERNOR ASSY(FIG.12) IS  
INCORPORATED IN THIS FOP.CMP  
(REF.NO.1).

OCD10-M86700 ENGINE SECTION  
 Fig.12. GOVERNOR

OCD10-M86700 Fig.12



(A)=4TNV98-YTBL1  
 (B)=  
 (C)=

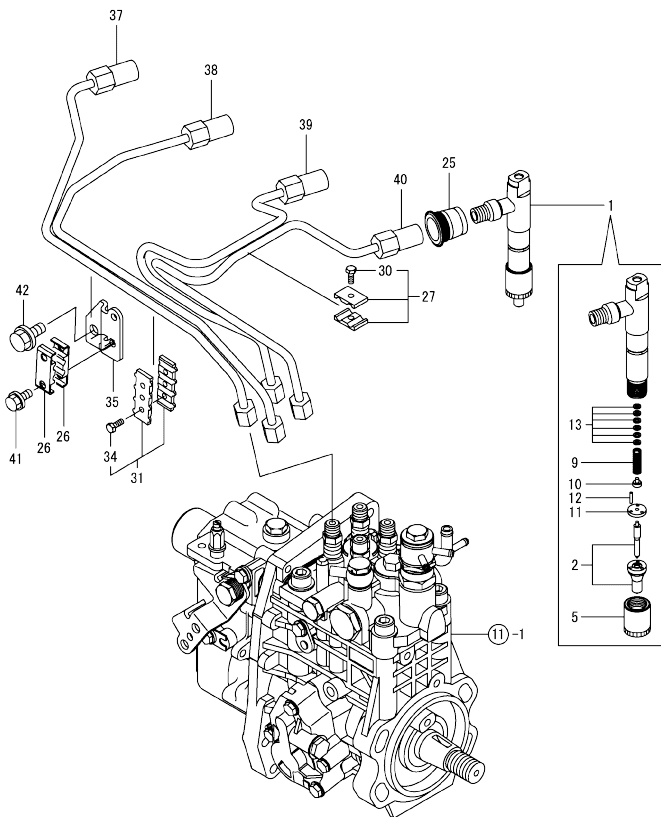
(D)=  
 (E)=  
 (F)=

No.	Lev.	Parts No.	Description	Q'ty						I	R
				(A)	(B)	(C)	(D)	(E)	(F)		
2	2	158560-61050	GASKET	1							
3	2	158560-61061	COVER, GOVERNOR CASE	1							
4	2	158560-61071	GASKET	1							
6	2	129155-51280	O-RING, S6	1							
26	2	129255-61410	NUT, M8	1							
27	2	119807-61420	SPRING, RETURN	1							
28	2	158560-61430	STOPPER, SHAFT	1							
29	2	158560-61441	LEVER, REGULATOR	1							
32	2	129155-61460	BOLT, LIMITING	1							
54	2	26116-060102	BOLT, M6X 10 PLATED	1							
63	2	119660-61901	STOPPER, SHAFT	1							
64	2	22190-160002	WASHER, SEAL 16	1							
66	2	23887-160002	PLUG, 16	1							
67	2	26106-060102	BOLT, M6X 10 PLATED	1							
68	2	26106-060102	BOLT, M6X 10 PLATED	1							
69	2	26756-060002	NUT, LOCK M6	1							
79	2	24341-000280	O-RING, 1AS28.0	1							
79-1	2	158552-61900	O-RING	1							N
(A=EXXXXX)											
80	2	26106-060142	BOLT, M6X 14 PLATED	6							
81	2	26106-060252	BOLT, M6X 25 PLATED	8							
82	2	26106-060402	BOLT, M6X 40 PLATED	2							
127	2	119233-77932	SOLENOID, STOP	1							

Remarks  
 \* THIS FIGURE(GOVERNOR ASSY)IS  
 INCORPORATED IN THE FUEL INJECTION  
 PUMP ASSY(FIG.11).

N:Old  $\frac{100}{100}$  New, Q:Old  $\frac{100}{100}$  New, R:Old  $\frac{100}{100}$  New, S:Old  $\frac{100}{100}$  New, W:Add, Z:Discontinued, F:Interchangeable by set, K:Q'ty Change  
 Copyright (C) YANMAR GLOBAL CS CO., LTD. All Rights Reserved.

Fig.13. FUEL INJECTION VALVE

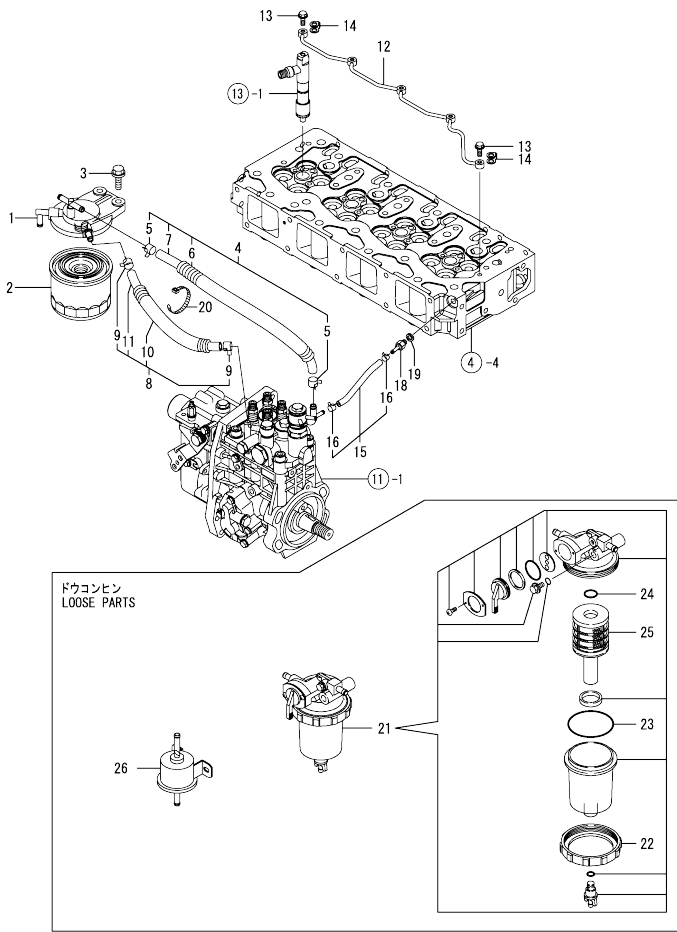


(A)=4TNV98-YTBL1  
(B)=  
(C)=

(D)=  
(E)=  
(F)=

No.	Lev.	Parts No.	Description	Q'ty						I	R
				(A)	(B)	(C)	(D)	(E)	(F)		
1	1	729907-53100	FUEL INJECTOR ASSY	4							
2	2	129907-53000	NOZZLE ASSY, F.I.	4							
5	2	114250-53080	NUT, NOZZLE	4							
9	2	114250-53120	SPRING, NOZZLE	4							
10	2	114250-53130	SEAT, SPRING	4							
11	2	114250-53140	SPACER	4							
12	2	114250-53210	PIN	8							
13	2	114250-53400	SHIM SET	4							
25	1	123907-11601	SEAL, PIPE	4							
26	1	122780-59100	RETAINER	2							
27	1	119305-59120	RETAINER, PIPE	1							
30	2	129150-59131	BOLT, M4X14	1							
31	1	129550-59120	RETAINER, PIPE	1							
34	2	129150-59131	BOLT, M4X14	2							
35	1	129907-59710	SUPPORT	1							
37	1	129907-59810	PIPE ASSY, INJECTION	1							
38	1	129907-59820	PIPE ASSY, INJECTION	1							
39	1	129907-59830	PIPE ASSY, INJECTION	1							
40	1	129907-59840	PIPE ASSY, INJECTION	1							
41	1	26106-060162	BOLT, M6X 16 PLATED	2							
42	1	26106-080182	BOLT, M8X 18 PLATED	1							

Fig.14. FUEL LINE

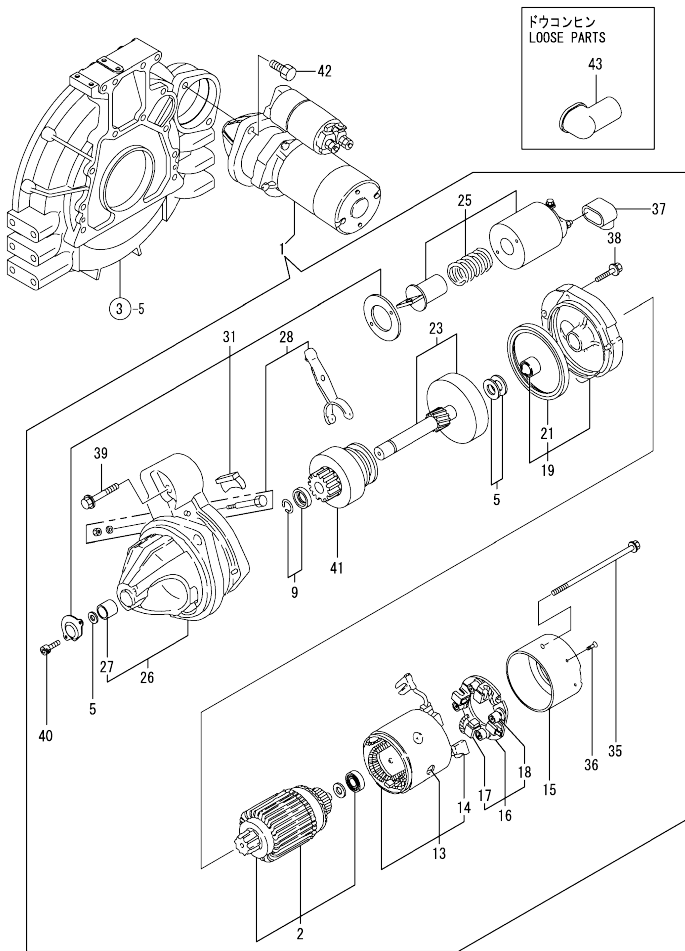


(A)=4TNV98-YTBL1  
(B)=  
(C)=

(D)=  
(E)=  
(F)=

No.	Lev.	Parts No.	Description	Q'ty						I	R
				(A)	(B)	(C)	(D)	(E)	(F)		
1	1	129004-55611	BRACKET, FILTER	1							
2	1	119802-55800	FILTER, FUEL	1							
3	1	26106-080302	BOLT, M8X 30 PLATED	2							
4	1	129457-59010	HOSE ASSY, FUEL	1							
5	2	124766-59050	CLAMP, HOSE 11.5	2							
6	2	129957-59120	TUBE, CORRUGATED 15	1							
7	2	105025-59750	HOSE, FUEL	1							
8	1	129981-59010	HOSE ASSY, FUEL	1							
9	2	124766-59050	CLAMP, HOSE 11.5	2							
10	2	129950-59221	TUBE, CORRUGATED 15	1							
11	2	129980-59510	HOSE, FUEL	1							
12	1	129907-59140	PIPE ASSY, RETURN	1							
13	1	123907-59540	BOLT, PIPE JOINT M6	5							
14	1	123907-59550	GASKET	5							
15	1	129486-59551	HOSE ASSY, RETURN	1							
16	2	124722-59050	CLAMP, HOSE 9	2							
18	1	123907-59560	JOINT, HOSE	1							
19	1	22190-080002	WASHER, SEAL 6	1							
20	1	121750-59890	BAND, NYLON	1							
21	1	129906-55700	SEPARATOR ASSY, WATER	1							
22	2	129100-55690	RING, CUP RETAINING	1							
23	2	24321-000650	O-RING, 1AG65.0	1							
24	2	24311-000160	O-RING, 1AP16.0	1							
25	2	119802-55710	ELEMENT	1							
26	1	129612-52100	PUMP, FUEL FEED	1							

Fig.15. STARTING MOTOR

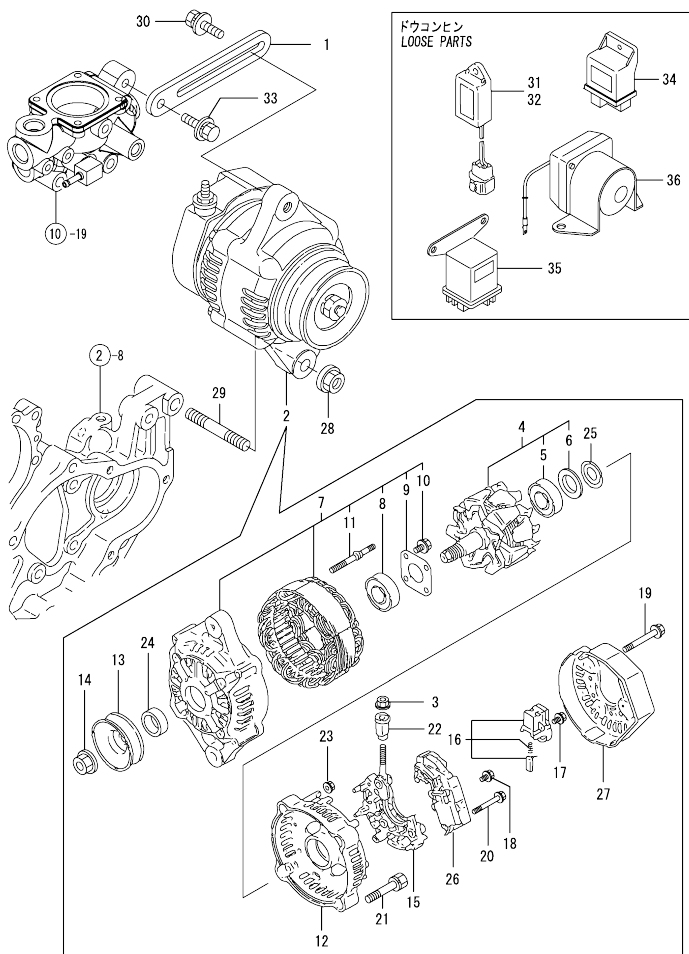


(A)=4TNV98-YTBL1  
(B)=  
(C)=

(D)=  
(E)=  
(F)=

No.	Lev.	Parts No.	Description	Q'ty						I	R
				(A)	(B)	(C)	(D)	(E)	(F)		
1	1	129953-77019	STARTING MOTOR	1							
2	2	121254-77402	ARMATURE ASSY	1							
5	2	121254-77430	WASHER KIT, THRUST	1							
9	2	121254-77480	STOPPER KIT, PINION	1							
13	2	121254-77521	COIL ASSY, FIELD	1							
14	3	121254-77541	BRUSH (+)	2							
15	2	121254-77550	COVER ASSY, REAR	1							
16	2	121254-77571	HOLDER ASSY	1							
17	3	121254-77581	BRUSH, -	2							
18	3	121254-77590	SPRING, BRUSH	4							
19	2	121254-77600	BEARING ASSY, CENTER	1							
21	3	121254-77610	SEAL, OIL	1							
23	2	121254-77640	SHAFT ASSY, GEAR	1							
25	2	129953-77670	SWITCH	1							
26	2	121254-77681	CASE ASSY, GEAR	1							
27	3	121254-77690	METAL, GEAR CASE	1							
28	2	121254-77700	LEVER SET, SHIFT	1							
31	2	121254-77730	DUST COVER SET	1							
35	2	121254-77770	BOLT, THROUGH	2							
36	2	121254-77790	SCREW 4	2							
37	2	121254-77810	COVER, TERMINAL	1							
38	2	26106-060302	BOLT, M6X 30 PLATED	3							
39	2	26106-060452	BOLT, M6X 45 PLATED	2							
40	2	121254-77780	SCREW 5	2							
41	2	129953-77660	PINION ASSY	1							
42	1	26116-120252	BOLT, M12X 25 PLATED	2							
43	1	124550-77030	COVER, TERMINAL	1							

Fig.16. GENERATOR

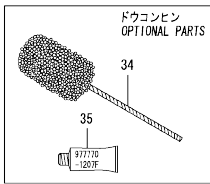
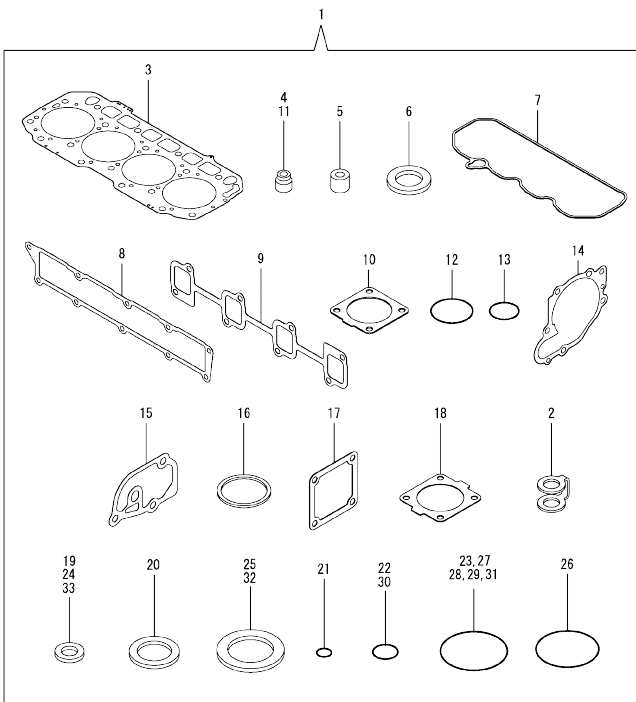


(A)=4TNV98-YTBL1  
(B)=  
(C)=

(D)=  
(E)=  
(F)=

No.	Lev.	Parts No.	Description	Qty						I	R
				(A)	(B)	(C)	(D)	(E)	(F)		
1	1	129900-77330	ADJUSTER, BELT	1							
2	1	129240-77200	ALTERNATOR, 12V-40A	1							
3	2	129240-79310	NUT	1							
4	2	119620-77380	ROTOR ASSY	1							
5	3	126501-79240	BALL BEARING	1							
6	3	119620-79250	COVER, BEARING	1							
7	2	119620-77421	FRAME ASSY, GENERATOR	1							
8	3	119620-79200	BEARING, BALL	1							
9	3	119620-79210	RETAINER	1							
10	3	119620-79220	SCREW	4							
11	3	119620-79230	BOLT, STUD	2							
12	2	119620-77440	FRAME ASSY	1							
13	2	119620-77461	PULLEY, GENERATOR	1							
14	2	119620-77471	NUT	1							
15	2	119620-79260	HOLDER	1							
16	2	129052-79270	HOLDER, BRUSH	1							
17	2	119620-79290	SCREW	6							
18	2	119620-79300	SCREW	1							
19	2	119620-79310	BOLT	3							
20	2	119620-79320	SCREW	2							
21	2	119620-79330	BOLT	2							
22	2	119620-79340	BUSH, INSULATION	1							
23	2	119620-79350	NUT	2							
24	2	119620-77490	COLLAR	1							
25	2	119620-79360	WASHER, THRUST	1							
26	2	129240-77710	REGULATOR ASSY	1							
27	2	129240-79300	COVER	1							
28	1	26306-100002	NUT, M10	1							
29	1	129795-01900	BOLT, STUD M10X33	1							
30	1	119810-77340	BOLT, ADJUST L=30	1							
31	1	129211-77920	TIMER	1							
32	1	128300-77920	TIMER	1							
33	1	26014-080252	BOLT, M8X 25	1							
34	1	119802-77200	RELAY, SAFETY	1							
35	1	119646-77900	RELAY, POWER	2							
36	1	129100-77910	RELAY, MAGNETIC	1							

Fig.17. GASKET SET



Remarks  
(1) OPTIONAL PART.

No.	Lev.	Parts No.	Description	Q'ty						I	R
				(A)	(B)	(C)	(D)	(E)	(F)		
1	1	729907-92910	GASKET SET	1							1
2	2	123907-59550	GASKET	5							
3	2	129907-01331	GASKET, HEAD	1							
4	2	124160-11340	SEAL, VALVE STEM	8							
5	2	119802-11870	PROTECTOR, NOZZLE	4							
6	2	119625-11880	SEAT, NOZZLE	4							
7	2	129907-11310	GASKET, BONNET	1							
8	2	129907-12110	GASKET, MANIFOLD	1							
9	2	129900-13251	GASKET, EXH.MANIFOLD	1							
10	2	129930-13200	GASKET, SILENCER	2							
11	2	124950-11340	SEAL, VALVE STEM	8							
12	2	129900-32030	O-RING, P20	2							
13	2	129900-32040	O-RING, P14	1							
14	2	129900-42020	GASKET, WATER PUMP	1							
15	2	129900-49870	GASKET, THERMOSTAT	1							
16	2	121850-49550	GASKET, THERMOSTAT	1							
17	2	121850-77021	GASKET, AIR HEATER	1							
18	2	121850-49540	GASKET, THERMOSTAT	1							
19	2	23414-080000	GASKET, 8X1.0	1							
20	2	124465-44950	GASKET, 16	1							
21	2	24311-000070	O-RING, 1AP7.0	1							
22	2	24311-000120	O-RING, 1AP12.0	8							
23	2	24311-000320	O-RING, 1AP32.0	3							
24	2	22190-080002	WASHER, SEAL 6	9							
25	2	22190-220002	WASHER, SEAL 22	1							
26	2	24351-030750	O-RING, 1A3075	1							
27	2	24321-000850	O-RING, 1AG85.0	1							
28	2	24341-000530	O-RING, 1AS53.0	1							
29	2	24311-000300	O-RING, 1AP30.0	1							
30	2	24311-240100	O-RING, 1AP10A	1							
31	2	24321-000600	O-RING, 1AG60.0	1							
32	2	22190-300002	WASHER, SEAL 30	1							
33	2	129150-49360	GASKET	1							
34	1	129400-92450	HONE, FLEX	1							1
35	1	977770-1207F	GASKET, LIQUID	1							1

## Parts No. Index

Parts No.	Fig. No.	Ref. No.
105010-39140	9	1
105025-59750	14	7
105840-59100	10	60
114250-39450	9	14
114250-53080	13	5
114250-53120	13	9
114250-53130	13	10
114250-53140	13	11
114250-53210	13	12
114250-53400	13	13
119000-35140	9	29
119130-44760	10	17
119131-18320	6	7
119140-12680	5	14
119160-12530	5	12
119160-12540	5	13
119160-12570	5	10
119225-11740	2	45
119225-11750	2	47
119233-77932	12	127
119260-34810	9	3
119266-49350	10	44
119305-59120	13	27
119593-11301	4	28
119620-11180	4	16
119620-77380	16	4
119620-77421	16	7
119620-77440	16	12
119620-77461	16	13
119620-77471	16	14
119620-77490	16	24
119620-79200	16	8
119620-79210	16	9
119620-79220	16	10
119620-79230	16	11
119620-79250	16	6
119620-79260	16	15
119620-79290	16	17
119620-79300	16	18
119620-79310	16	19
119620-79320	16	20
119620-79330	16	21
119620-79340	16	22
119620-79350	16	23
119620-79360	16	25
119625-11880	4	26
	17	6
119640-01640	3	10
119640-61400	4	62
119646-77900	16	35

Parts No.	Fig. No.	Ref. No.
119660-61901	12	63
119802-11870	4	47
	17	5
119802-51590	11	69
119802-51600	11	70
119802-51680	11	74
119802-51690	11	75
119802-55710	14	25
119802-55800	14	2
119802-77200	16	34
119807-61420	12	27
119810-77340	16	30
120130-22301	8	21
121023-26070	2	39
121027-11743	2	46
121250-44590	10	58
121250-44901	10	35
121254-77402	15	2
121254-77430	15	5
121254-77480	15	9
121254-77521	15	13
121254-77541	15	14
121254-77550	15	15
121254-77571	15	16
121254-77581	15	17
121254-77590	15	18
121254-77600	15	19
121254-77610	15	21
121254-77640	15	23
121254-77681	15	26
121254-77690	15	27
121254-77700	15	28
121254-77730	15	31
121254-77770	15	35
121254-77780	15	40
121254-77790	15	36
121254-77810	15	37
121267-44590	10	52
121450-44531	10	49
121468-44540	10	48
121470-44581	10	51
121550-49111	10	46
121750-59890	14	20
121850-21130	8	11
121850-21290	8	4
121850-21920	8	5
121850-49540	10	21
	17	18
121850-49550	10	22
	17	16

Parts No.	Fig. No.	Ref. No.
121850-49800	10	24
121850-77021	5	5
	17	17
122780-59100	13	26
123900-13610	6	5
123900-13630	6	4
123900-25060	7	9
123907-03100	4	55
123907-03110	4	56
123907-03120	4	57
123907-03140	4	58
123907-11280	4	33
123907-11550	4	3
123907-11601	13	25
123907-11820	4	10
123907-11830	4	22
123907-59540	14	13
123907-59550	14	14
	17	2
123907-59560	14	18
124160-01751	2	37
	4	50
124160-11340	4	17
	17	4
124160-11360	4	65
124411-01780	3	3
124450-44560	10	50
124465-44950	10	36
	17	20
124550-77030	15	43
124722-59050	10	40
	43	59
	14	16
124766-59050	14	5
	9	9
124950-11340	4	18
	17	11
126501-79240	16	5
128300-77920	16	32
129001-91810	2	27
	28	28
129004-55611	14	1
129005-59830	9	19
129052-79270	16	16
129100-01580	2	5
	3	1
129100-55690	14	22
129100-77910	16	36
129150-02450	7	4

Parts No.	Fig. No.	Ref. No.
129150-11230	4	36
		40
129150-11750	4	21
		37
		41
129150-14200	7	1
129150-25920	7	13
129150-35153	9	31
129150-49080	10	54
129150-49100	10	53
129150-49360	10	45
	17	33
129150-59131	13	30
		34
129155-51280	12	6
129155-61460	12	32
129211-77920	16	31
129240-77200	16	2
129240-77710	16	26
129240-79300	16	27
129240-79310	16	3
129255-61410	12	26
129400-92450	17	34
129457-59010	14	4
129466-44510	10	47
129486-59551	14	15
129550-59120	13	31
129612-12650	5	15
129612-52100	14	26
129795-01900	16	29
129900-01200	1	31
129900-01250	1	5
129900-01740	2	6
129900-01850	2	23
129900-01870	2	24
129900-02020	1	7
129900-02340	1	34
129900-02410	1	10
129900-02930	1	28
129900-02940	1	37
129900-13200	6	1
129900-13251	6	3
	17	9
129900-14110	7	6
129900-21220	8	3
129900-21600	8	14
129900-23001	8	23
129900-23200	8	28
129900-23600	8	29
129900-23610	8	31



## Parts No. Index

Parts No.	Fig. No.	Ref. No.	Parts No.	Fig. No.	Ref. No.	Parts No.	Fig. No.	Ref. No.	Parts No.	Fig. No.	Ref. No.
129900-23911	8	27	129907-12110	17	8	129953-01620	3	5	22157-080000	6	11
129900-25110	7	10	129907-14400	7	2	129953-21570	8	12	22190-080002	9	20
129900-26020	7	16	129907-14590	7	3	129953-25300	7	18			22
129900-26250	2	43	129907-22050	8	17	129953-35110	9	25			24
129900-32001	2	11	129907-22090	8	15	129953-39100	9	35		14	19
129900-32030	2	25	129907-25900	7	15	129953-39500	9	28		17	24
	9	7	129907-39061	9	15			34	22190-120002	11	98
	17	12	129907-42000	10	1	129953-77019	15	1			99
129900-32040	2	26	129907-49610	10	37	129953-77660	15	41			100
	17	13	129907-49620	10	41	129953-77670	15	25	22190-160002	12	64
129900-35000	9	8	129907-49710	10	38	129957-59120	14	6	22190-180002	11	101
129900-42020	10	11	129907-49720	10	42	129960-21640	8	8			102
	17	14	129907-49730	10	23	129962-01500	2	8	22190-220002	3	12
129900-42461	10	14	129907-49750	10	39	129970-35140	9	30		17	25
129900-49870	10	31	129907-51340	11	41	129980-59510	14	11	22190-300002	9	37
	17	15	129907-51560	11	63	129981-59010	14	8		17	32
129900-77330	16	1	129907-53000	13	2	144626-51090	11	107	22217-180000	7	20
129902-01710	3	9	129907-59140	14	12	158552-51570	11	64		11	103
129902-21050	8	1	129907-59710	13	35	158552-51580	11	66	22252-000300	8	22
129906-51580	11	67	129907-59810	13	37	158552-51670	11	123	22312-050140	11	104
129906-55700	14	21	129907-59820	13	38	158552-51780	11	87	22351-050010	11	105
129907-01190	1	33	129907-59830	13	39	158552-52100	11	93	22351-060012	1	11
129907-01331	1	32	129907-59840	13	40	158552-52310	11	95	22512-070140	7	7
	17	3	129908-14590	7	3 -1	158552-52400	11	96		8	6
129907-01950	11	127	129915-77050	5	6	158552-61900	12	79 -1	22857-500100	4	63
129907-01960	11	128	129916-01800	2	4	158553-51551	11	61			64
129907-03011	4	52	129916-21610	8	9	158553-51630	11	79	23000-054000	10	61
129907-03061	4	53	129916-21680	8	7	158553-51640	11	81	23414-080000	10	32
129907-03070	4	54	129916-44740	10	16	158553-51660	11	83		17	19
129907-07900	4	1	129916-49530	10	20	158553-51670	11	73	23857-030000	9	21
129907-11100	4	25	129916-59020	11	125	158553-51680	11	84	23857-060000	11	108
129907-11110	4	14	129927-42140	2	26 A	158557-51570	11	65	23875-030000	10	28
129907-11120	4	15	129930-13200	17	10	158560-51300	11	32	23876-020000	4	11
129907-11250	4	30	129930-13201	6	8	158560-51600	11	78	23876-030000	1	12
129907-11260	4	31			15	158560-61050	12	2			13
129907-11270	4	32	129930-39050	9	40	158560-61061	12	3			14
129907-11310	4	61	129935-12520	5	11	158560-61071	12	4		4	12
	17	7	129940-42320	10	15	158560-61430	12	28	23887-120002	11	109
129907-11320	4	51	129944-07910	4	70	158560-61441	12	29	23887-160002	12	66
129907-11341	4	29	129944-12520	5	8	158563-51150	7	19	24311-000070	2	44
129907-11510	4	19	129944-13520	6	9	158563-51281	11	30		11	110
129907-11650	4	34	129944-13660	6	10			31		17	21
129907-11660	4	38	129944-35110	9	26	158563-51330	11	40	24311-000120	4	27
129907-11700	4	4	129944-35150	9	39	158600-51270	11	29			66
129907-11800	4	9	129944-35210	9	32	158601-51550	11	60		17	22
129907-11910	4	68	129944-39100	9	36	158601-51570	11	62	24311-000160	14	24
129907-11920	4	42	129946-49810	10	19	158601-51650	11	82	24311-000300	2	48
129907-11950	4	48	129950-59221	14	10	158601-51770	11	86		17	29
129907-12100	5	1	129951-34801	9	2	158601-51790	11	85	24311-000320	2	38
129907-12110	5	2	129951-34812	9	4	171051-01921	1	6		4	67

## Parts No. Index

Parts No.	Fig. No.	Ref. No.
24311-000320	17	23
24311-240100	9	5
	17	30
24321-000600	9	38
	17	31
24321-000650	14	23
24321-000850	2	40
	17	27
24341-000280	12	79
24341-000530	8	10
	17	28
24351-030750	2	29
	17	26
24356-010200	11	76
		111
24356-020210	11	112
24372-000150	11	77
26014-080252	16	33
26106-060102	11	113
	12	67
		68
26106-060122	10	29
26106-060142	12	80
26106-060162	13	41
26106-060202	10	30
26106-060252	12	81
26106-060302	10	12
	15	38
26106-060352	11	114
26106-060402	12	82
26106-060452	15	39
26106-080122	3	4
	9	13
		23
	10	33
26106-080162	2	22
		30
		31
	4	2
	6	12
	7	8
	9	6
	11	129
26106-080182	13	42
26106-080202	2	32
	6	13
26106-080222	11	130
		131
26106-080302	14	3
26106-080352	5	7

Parts No.	Fig. No.	Ref. No.
26106-080352	10	18
26106-080402	2	33
		34
	4	44
26106-080452	2	35
26106-080502	9	41
26106-080552	5	3
	7	14
	10	13
26106-080602	4	45
		46
	10	34
26106-080852	5	4
26106-100202	2	41
	11	132
26106-100452	9	42
26116-060102	12	54
26116-120252	15	42
26206-100352	3	2
26206-100702	3	8
26216-100302	2	10
26226-080222	4	43
26306-080002	4	49
	6	6
		14
26306-100002	2	36
	16	28
26450-100452	11	118
26756-060002	12	69
26776-180002	7	21
	11	119
27241-300000	1	15
27241-400000	4	13
27310-070001	4	23
729900-02800	1	25
729906-01550	2	1
729907-01560	1	1
729907-22910	8	33
729907-22950	8	35
729907-53100	13	1
729907-92910	17	1
729944-51310	11	1
977770-1207F	2	42
	3	13
	4	69
	17	35

Parts No.	Fig. No.	Ref. No.
-----------	----------	----------

Parts No.	Fig. No.	Ref. No.
-----------	----------	----------