

0CW10-M33900EN

# P R E F A C E

1. This parts Catalog carries all parts incorporated in YANMAR Model 4TNV98-ZNSAP engine manufactured since April,2008.
2. Each illustration corresponds to the parts list on the following page.
3. When ordering parts, clearly write down the engine model and serial number, as well as the name and number of each part in your order sheet. This will help insure reliable delivery of the parts you have ordered.

## Directions for the Parts Catalog.

1. This Parts Catalog shows both standard and optional parts.
2. Parts may change without prior notice.
3. The following is an example of the Parts Catalog format.

REF.	LEV.	PARTS NO.	DESCRIPTION	Q'TY						I	R
				(A)	(B)	(C)	(D)	(E)	(F)		
1	1	729595-51390	FUEL INJECTION PUMP	1	1	1	1	1			1
1-1	1	729595-51391	FUEL INJECTION PUMP	1	1	1	1	1		N	1
		(A=E00185) (B=E00200)									
3	2	26022-060162	SCREW M 6X 16	9	9	9	9	9			
3-1	2	26022-060162	SCREW M 6X 16	4	4	4	4	4		K	
		(A=E00156) (B=E00156) (C=E00156) (D=E00156) (E=E00156)									
4	2	129470-51040	CAMSHAFT	1	1	1	1	1			
5	2	122710-51050	BEARING, ROLLER	2	2	2	2	2			
6	2	129470-51060	RETAINER	1	1	1	1	1			

Remarks
(1) BOOST COMPEMSATOR TYPE. OPTIONAL PART, TO E00155,(4JH-DT, 4JH-DTZ

### ① Ref. No.

The Ref. No. listed may not be in accordance with the illustration Ref. No.

(Ex.) Illustration No.

List Ref No.

1 1 (Before change) → 1-1 (After change)

For interchangeable symbols N, R and K, illustrations for new parts may be abbreviated.

### ② Lev. (Level)

Level indication

The numbers below indicate the level of relativity towards the main part.

1 ---- Main parts (Assembly parts)

2 ---- Sub component included in " 1 ".

3 ---- Sub component included in " 2 ".

Note) Parts that are not for sale are partially illustrated but not listed.

### ③ Interchangeability Symbol

When a part change takes place, one of the following interchangeability symbols is indicated beside the part.

Symbol	Interchangeability	Contents note
N	Old $\begin{matrix} \leftarrow \text{Yes} \\ \text{No} \rightarrow \end{matrix}$ New	New Part is interchangeable for Old Part but Old Part is not interchangeable for New Part.
Q	Old $\begin{matrix} \leftarrow \text{No} \\ \text{Yes} \rightarrow \end{matrix}$ New	New Part is not interchangeable for Old Part but Old Part is interchangeable for New Part.
R	Old $\begin{matrix} \leftarrow \text{Yes} \\ \text{Yes} \rightarrow \end{matrix}$ New	New/ Old Parts are both interchangeable.
S	Old $\begin{matrix} \leftarrow \text{No} \\ \text{No} \rightarrow \end{matrix}$ New	New/ Old Parts are both not interchangeable.
W		Part newly added.
Z		Part discontinued.
F		Not interchangeable by a single part but interchangeable together with related parts.
K		Changes only for used parts quantities.

### ④ Effective Machine No.

When a part changes, the effective Machine No. will be indicated in the (A)-(F) column.

Product Symbol	Product No.	Product Symbol	Product No.
C	Clutch No. Compressor No.	F	Machine No. (Agricultural Equip.)
D	Drive No.	M	Machine No.
E	Engine No.		

Note 1) A date may follow the symbol. (Ex.) 1996.01

Note 2) "XXXXX" and "ZZZZZ" are for parts that could not be predicted or for engine models that could not be identified.

Note 3) (A=E00185) is the E (Engine Serial Number) for the column (A) model (in this case 4JH-DT) after the parts design change.

### ⑤ Remarks

Figures or alphabets (symbols) are entered in the remarks column.

The comments (remarks) on parts that are indicated at the bottom of the illustration are the same symbols as those stated above.

## Contents

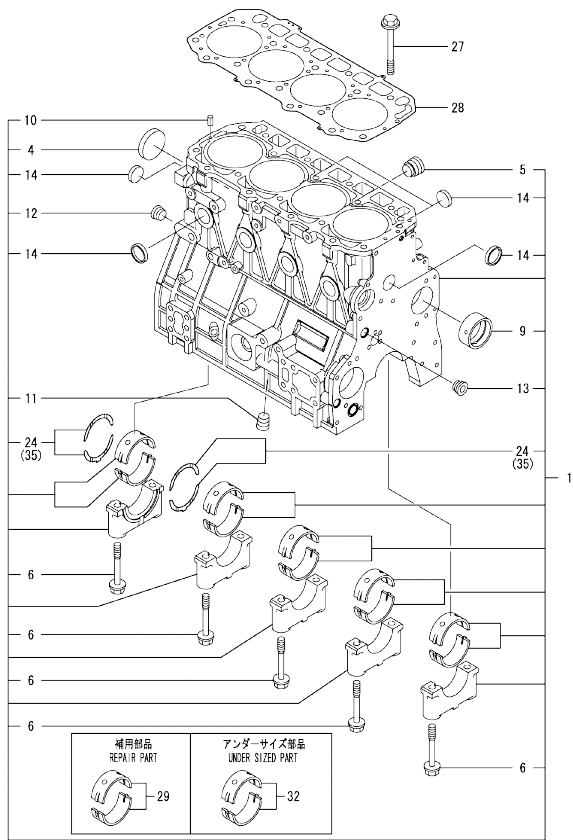
0CW10-M33900

Fig. No.	Fig. Name	Fig. No.	Fig. Name
4TNV98-ZNSAP			
1.	CYLINDER BLOCK		
2.	GEAR HOUSING		
3.	FLYWHEEL HOUSING & OIL SUMP		
4.	CYLINDER HEAD & BONNET		
5.	SUCTION MANIFOLD		
6.	EXHAUST MANIFOLD		
7.	CAMSHAFT & DRIVING GEAR		
8.	CRANKSHAFT & PISTON		
9.	LUB.OIL SYSTEM		
10.	COOLING WATER SYSTEM		
11.	FUEL INJECTION PUMP		
12.	GOVERNOR		
13.	FUEL INJECTION VALVE		
14.	FUEL LINE		
15.	STARTING MOTOR		
16.	GENERATOR		
17.	ELECTRONIC CONTROL UNIT (ECU)		
18.	GASKET SET		
19.	(15A)STARTING MOTOR		

Fig.1. CYLINDER BLOCK

(A)=4TNV98-ZNSAP  
(B)=  
(C)=

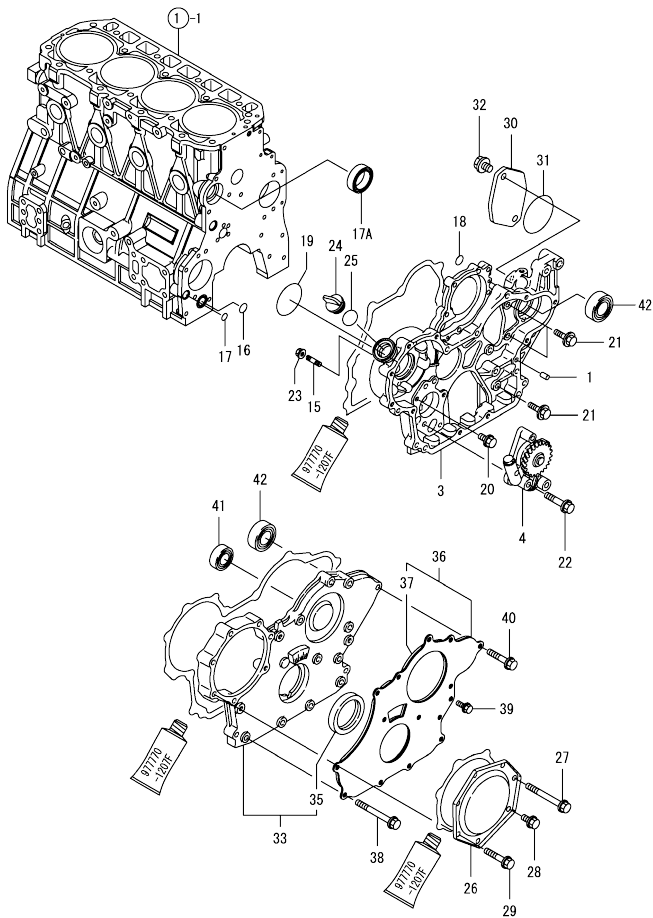
(D)=  
(E)=  
(F)=



No.	Lev.	Parts No.	Description	Q'ty						I	R
				(A)	(B)	(C)	(D)	(E)	(F)		
1	1	729927-01560	BLOCK ASSY, CYLINDER	1							
4	2	129900-01250	PLUG, DISH TYPE 55	1							
5	2	171051-01921	PLUG, NPTF1	1							
6	2	129900-02020	BOLT, METAL CAP	10							
9	2	129900-02410	BUSH, CAMSHAFT	1							
10	2	22351-060012	PIN, SPRING 6.0X12	2							
11	2	23876-030000	PLUG, R03	1							
12	2	23876-030000	PLUG, R03	1							
13	2	23876-030000	PLUG, R03	1							
14	2	27241-300000	PLUG 30	8							
24	2	129900-02931	BEARING ASSY, THRUST	2							
27	1	129900-01200	BOLT, CYLINDER HEAD	18							
28	1	129907-01331	GASKET, HEAD	1							
29	1	729900-02801	BEARING, MAIN	5							1
32	1	129900-02341	BEARING ASSY, MAIN	5							2
35	1	129900-02941	BEARING, THRUST 0.25	2							3

Remarks  
(1) REPAIR PART.  
(2) UNDER-SIZED(U.S=0.25)PART.  
(3) OVER-SIZED(O.S=0.25)PART.

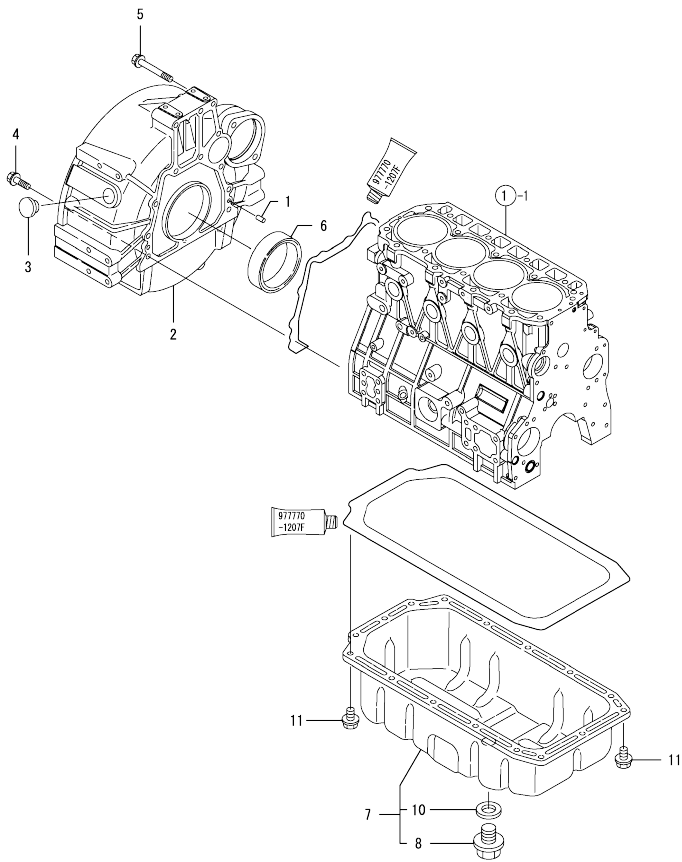
Fig.2. GEAR HOUSING



No.	Lev.	Parts No.	Description	Q'ty						I	R
				(A)	(B)	(C)	(D)	(E)	(F)		
1	1	129100-01580	PIN, PARALLEL 8X16	4							
3	1	129962-01500	CASE, GEAR	1							
4	1	129900-32001	PUMP ASSY, OIL	1							
15	1	26216-100302	STUD, M10X 30	4							
16	1	129900-32030	O-RING, P20	1							
17	1	129900-32040	O-RING, P14	1							
17A	1	129927-42140	GASKET, PUMP OUTLET	1							W
(A=ET6485)											
18	1	24311-000070	O-RING, 1AP7.0	1							
19	1	24351-030750	O-RING, 1A3075	1							
20	1	26106-080162	BOLT, M8X 16 PLATED	1							
21	1	26106-080202	BOLT, M8X 20 PLATED	3							
22	1	26106-080452	BOLT, M8X 45 PLATED	3							
23	1	26306-100002	NUT, M10	4							
24	1	124160-01751	CAP, FILLER	1							
25	1	24311-000320	O-RING, 1AP32.0	1							
26	1	129900-01740	COVER	1							
27	1	129001-91810	BOLT, M8X70	1							
28	1	26106-080162	BOLT, M8X 16 PLATED	1							
29	1	26106-080402	BOLT, M8X 40 PLATED	5							
30	1	121023-26070	COVER, PUMP	1							
31	1	24321-000850	O-RING, 1AG85.0	1							
32	1	26106-100202	BOLT, M10X 20 PLATED	2							
33	1	729907-01559	COVER ASSY,GEAR CASE	1							
35	2	129916-01800	SEAL, OIL	1							
36	1	129900-01850	COVER ASSY,GEAR CASE	1							
37	2	129900-01870	SPONGE, GEAR CASE	1							
38	1	129001-91810	BOLT, M8X70	6							
39	1	26106-080162	BOLT, M8X 16 PLATED	3							
40	1	26106-080402	BOLT, M8X 40 PLATED	5							
41	1	129900-14140	BEARING, BALL 6205	1							
42	1	129900-26250	BEARING, BALL 6206C3	2							

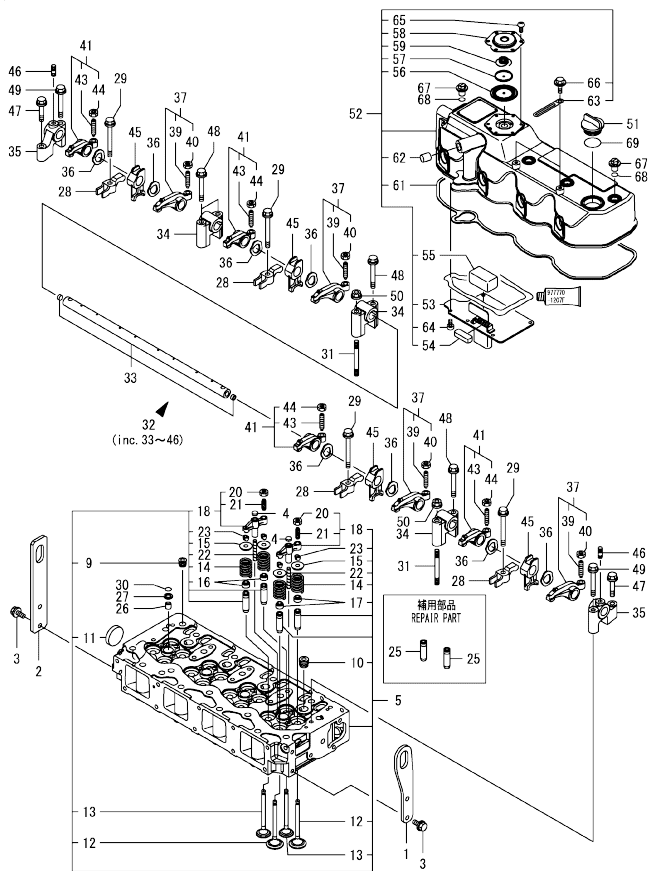
N:Old  $\frac{100}{100}$  New, Q:Old  $\frac{100}{100}$  New, R:Old  $\frac{100}{100}$  New, S:Old  $\frac{100}{100}$  New, W:Add, Z:Discontinued, F:Interchangeable by set, K:Q'ty Change  
 Copyright (C) YANMAR GLOBAL CS CO., LTD. All Rights Reserved.

Fig.3. FLYWHEEL HOUSING & OIL SUMP



No.	Lev.	Parts No.	Description	Q'ty						I	R
				(A)	(B)	(C)	(D)	(E)	(F)		
1	1	129100-01580	PIN, PARALLEL 8X16	2							
2	1	129955-01600	HOUSING, FLYWHEEL	1							
3	1	119620-01750	CAP	1							
4	1	26206-100352	BOLT, M10X 35 PLATED	9							
5	1	26206-100702	BOLT, M10X 70 PLATED	3							
6	1	129916-01790	SEAL, D115/95XT11	1							
7	1	129916-01710	OIL PAN ASSY	1							
8	2	119640-01640	PLUG, DRAIN M22	1							
10	2	22190-220002	WASHER, SEAL 22	1							
11	1	26106-080122	BOLT, M8X 12 PLATED	16							

Fig.4. CYLINDER HEAD & BONNET



(A)=4TNV98-ZNSAP  
(B)=  
(C)=

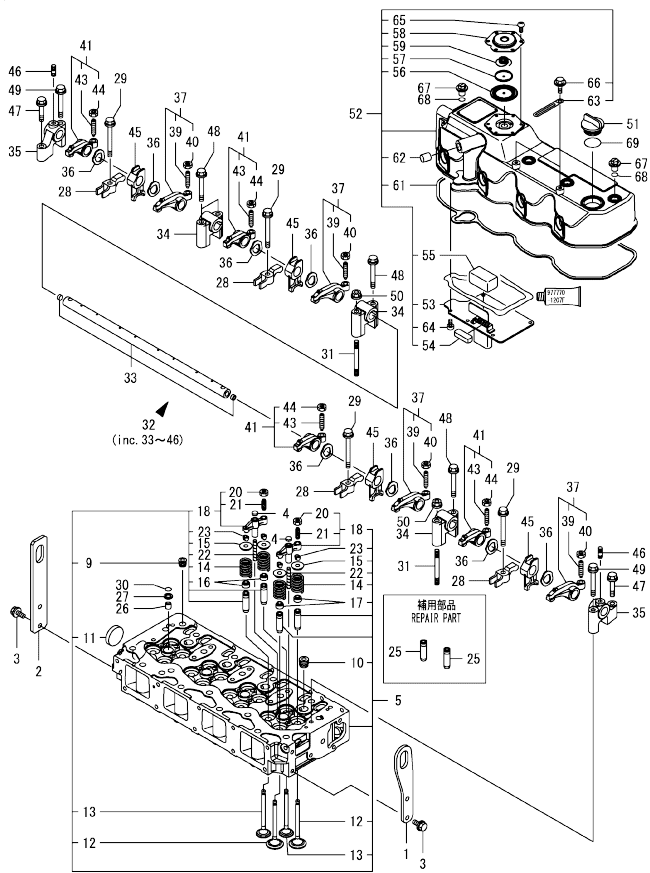
(D)=  
(E)=  
(F)=

No.	Lev.	Parts No.	Description	Q'ty						I	R
				(A)	(B)	(C)	(D)	(E)	(F)		
1	1	129907-07900	LIFTER, ENGINE	1							
2	1	129944-07910	LIFTER	1							
3	1	26106-080162	BOLT, M8X 16 PLATED	4							
4	1	123907-11550	SEAT, VALVE BRIDGE	8							
5	1	129927-11700	HEAD ASSY, CYLINDER	1							
9	2	23876-020000	PLUG, R02	1							
10	2	23876-030000	PLUG, R03	4							
11	2	27241-400000	PLUG, 40	1							
12	2	129907-11100	VALVE, SUCTION	8							
13	2	129907-11110	VALVE, EXHAUST	8							
14	2	129907-11120	SPRING, VALVE	16							
15	2	119620-11180	RETAINER, SPRING	16							
16	2	119803-11340	SEAL, VALVE STEM	8							
17	2	124160-11340	SEAL, VALVE STEM	8							
18	2	129907-11510	BRIDGE ASSY, VALVE	8							
20	3	129150-11750	NUT, M8	8							
21	3	123907-11830	ADJUSTER	8							
22	2	123907-11820	GUIDE, BRIDGE	8							
23	2	27310-070001	COTTER, 7	16							
25	1	129907-11800	GUIDE, VALVE	16							1
26	1	119802-11870	PROTECTOR, NOZZLE	4							
27	1	119625-11880	SEAT, NOZZLE	4							
28	1	129907-11910	RETAINER, NOZZLE	4							
29	1	129907-11950	BOLT, M8X75	4							
30	1	24311-000120	O-RING, 1AP12.0	4							
31	1	119593-11301	BOLT, STUD M8X80	2							
32	1	129907-11341	SHAFT ASSY, ROCKER	1							
33	2	129907-11250	SHAFT, ROCKER ARM	1							
34	2	129907-11260	SUPPORT, ROCKER ARM	3							
35	2	129907-11270	SUPPORT, ROCKER ARM	2							
36	2	123907-11280	WASHER	8							
37	2	129907-11650	ARM ASSY, ROCKER	4							
39	3	129150-11230	SCREW, VALVE ADJUST	4							
40	3	129150-11750	NUT, M8	4							
41	2	129907-11660	ARM ASSY, ROCKER	4							
43	3	129150-11230	SCREW, VALVE ADJUST	4							
44	3	129150-11750	NUT, M8	4							
45	2	129907-11920	RETAINER, NOZZLE	4							
46	2	26226-080222	STUD, M8X 22	2							
47	1	26106-080402	BOLT, M8X 40 PLATED	2							
48	1	26106-080602	BOLT, M8X 60 PLATED	4							
49	1	26106-080602	BOLT, M8X 60 PLATED	2							
50	1	26306-080002	NUT, M8	2							
51	1	124160-01751	CAP, FILLER	1							
52	1	129927-11320	BONNET ASSY, HEAD	1							
53	2	129907-03011	PLATE, BAFFLE	1							
54	2	129907-03061	BAFFLE, BREATHER	1							
55	2	129907-03070	BAFFLE, BREATHER	1							
56	2	123907-03100	DIAPHRAGM	1							
57	2	123907-03110	PLATE	1							
58	2	123907-03120	PLATE, BREATHER	1							

Remarks  
(1) REPAIR PART.



Fig.4. CYLINDER HEAD & BONNET



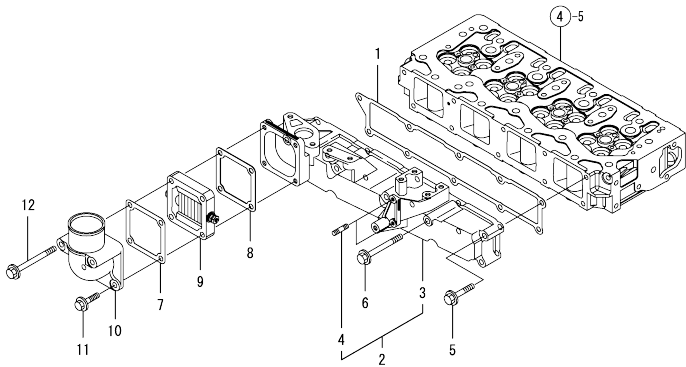
(A)=4TNV98-ZNSAP  
(B)=  
(C)=

(D)=  
(E)=  
(F)=

No.	Lev.	Parts No.	Description	Q'ty						I	R
				(A)	(B)	(C)	(D)	(E)	(F)		
59	2	123907-03140	SPRING, DIAPHRAGM	1							
61	2	129933-11310	GASKET, BONNET	1							
62	2	119640-61400	PLUG	1							
63	2	175339-79700	CLIP	2							
64	2	22857-500100	SCREW, 5X10	6							
65	2	22857-500100	SCREW, 5X10	6							
66	2	26106-060122	BOLT, M6X 12 PLATED	2							
67	1	124160-11360	KNOB	4							
68	1	24311-000120	O-RING, 1AP12.0	4							
69	1	24311-000320	O-RING, 1AP32.0	1							

Remarks  
(1) REPAIR PART.

Fig.5. SUCTION MANIFOLD

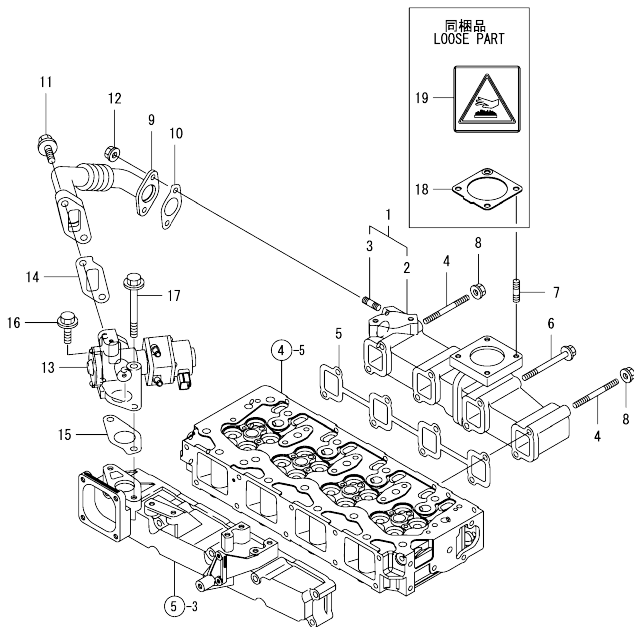


(A)=4TNV98-ZNSAP  
(B)=  
(C)=

(D)=  
(E)=  
(F)=

No.	Lev.	Parts No.	Description	Q'ty						I	R
				(A)	(B)	(C)	(D)	(E)	(F)		
1	1	129907-12110	GASKET, MANIFOLD	1							
2	1	129927-12150	MANIFOLD ASSY,INTAKE	1							
3	2	129927-12100	MANIFOLD, AIR INTAKE	1							
4	2	26216-060202	STUD, M6X 20	2							
5	1	26106-080452	BOLT, M8X 45 PLATED	6							
6	1	26106-080802	BOLT, M8X 80 PLATED	4							
7	1	119129-77020	GASKET	1							
8	1	121850-77021	GASKET, AIR HEATER	1							
9	1	119005-77051	HEATER, AIR	1							
10	1	119129-77520	BEND	1							
11	1	26106-080402	BOLT, M8X 40 PLATED	2							
12	1	26106-080902	BOLT, M8X 90 PLATED	2							

Fig.6. EXHAUST MANIFOLD



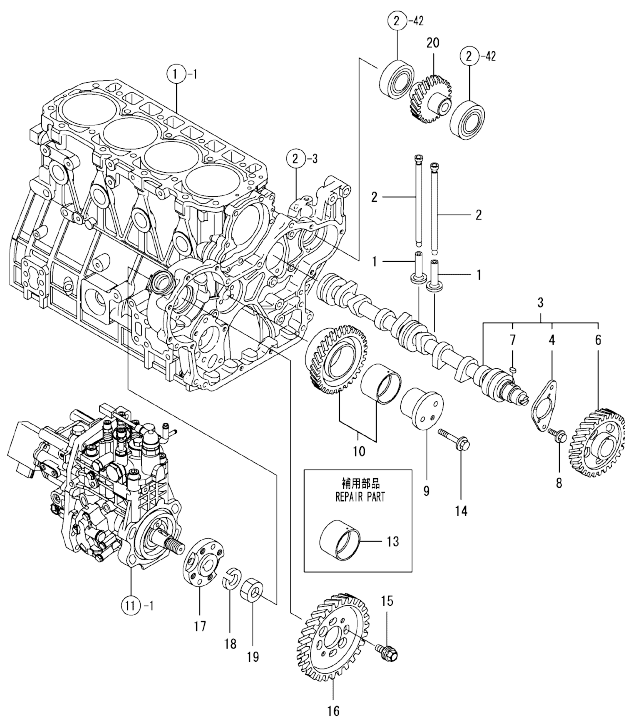
(A)=4TNV98-ZNSAP  
(B)=  
(C)=

(D)=  
(E)=  
(F)=

No.	Lev.	Parts No.	Description	Q'ty						I	R
				(A)	(B)	(C)	(D)	(E)	(F)		
1	1	129927-13150	MANIFOLD ASSY, EXH.	1							
2	2	129927-13100	MANIFOLD, EXHAUST	1							
3	2	129418-18320	BOLT, STUD M8X20	2							
4	1	129263-13210	BOLT, STUD M8X90	2							
5	1	129900-13251	GASKET, EXH.MANIFOLD	1							
6	1	119802-13680	BOLT, M8X90 10.9T	6							
7	1	119131-18320	BOLT, STUD M8X22	4							
8	1	26306-080002	NUT, M8	2							
9	1	129927-13800	PIPE ASSY, EGR	1							
10	1	129927-13810	GASKET	1							
11	1	26106-100302	BOLT, M10X 30 PLATED	2							
12	1	26306-080002	NUT, M8	2							
13	1	129927-13900	VALVE, EGR	1							
14	1	129927-13910	GASKET, EGR	1							
15	1	129927-13920	GASKET, EGR	1							
16	1	26106-100302	BOLT, M10X 30 PLATED	1							
17	1	26106-100952	BOLT, M10X 95 PLATED	1							
18	1	129930-13201	GASKET, SILENCER	1							
19	1	114220-07130	LABEL, HOT SURFACE	1							W

(A)=EXXXXXX

Fig.7. CAMSHAFT & DRIVING GEAR



(A)=4TNV98-ZNSAP  
(B)=  
(C)=

(D)=  
(E)=  
(F)=

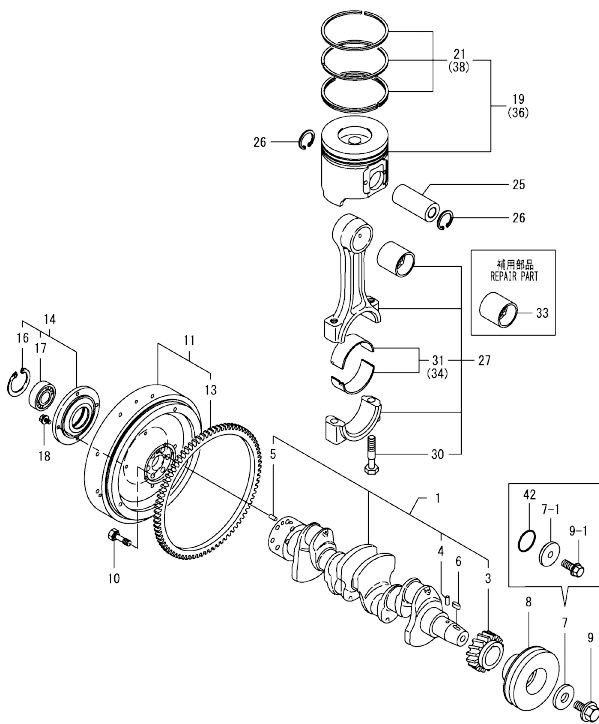
No.	Lev.	Parts No.	Description	Q'ty						I	R
				(A)	(B)	(C)	(D)	(E)	(F)		
1	1	129150-14200	TAPPET	8							
2	1	129907-14400	PUSH-ROD	8							
3	1	129908-14590	CAMSHAFT ASSY	1							
4	2	129150-02450	BEARING, THRUST	1							
6	2	129900-14110	GEAR, CAMSHAFT	1							
7	2	22512-070140	KEY, 7X 14	1							
8	1	26106-080162	BOLT, M8X 16 PLATED	2							
9	1	123900-25060	SHAFT, IDLE GEAR	1							
10	1	129900-25110	GEAR ASSY, IDLE	1							
13	1	129150-25920	BUSH, IDLE GEAR	1							1
14	1	26106-080552	BOLT, M8X 55 PLATED	3							
15	1	129953-25300	BOLT	4							
16	1	129907-25900	GEAR, PUMP	1							
17	1	158563-51150	FLANGE	1							
18	1	22217-180000	WASHER, SPRING 18	1							
19	1	26776-180002	NUT, LOCK M18	1							
20	1	129900-26030	GEAR ASSY, PUMP	1							

Remarks  
(1) REPAIR PART.

Fig.8. CRANKSHAFT & PISTON

(A)=4TNV98-ZNSAP  
(B)=  
(C)=

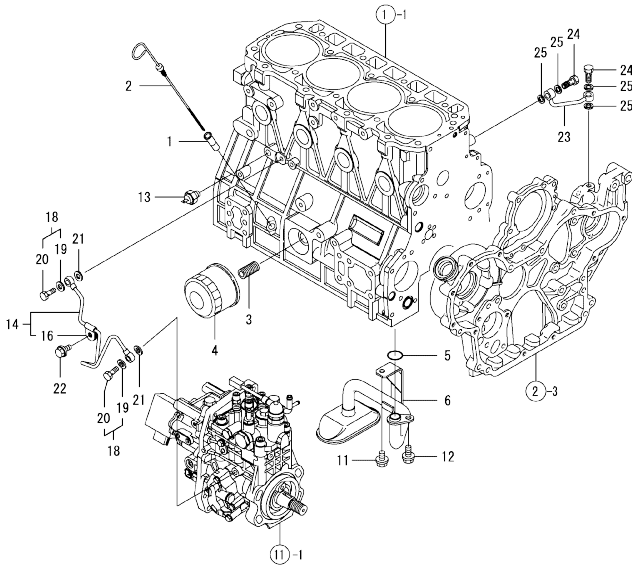
(D)=  
(E)=  
(F)=



No.	Lev.	Parts No.	Description	Q'ty						I	R
				(A)	(B)	(C)	(D)	(E)	(F)		
1	1	129902-21050	CRANKSHAFT ASSY	1							
3	2	129900-21220	GEAR, CRANKSHAFT	1							
4	2	121850-21290	PIN	1							
5	2	121850-21920	PIN, PARALLEL 10X22	1							
6	1	22512-070140	KEY, 7X 14	1							
7	1	129900-21640	WASHER	1							
7-1	1	129960-21940	WASHER, V-PULLEY	1							N
		(A=E132580)									
8	1	129907-21660	V-PULLEY, CRANK 130	1							
9	1	121850-21680	BOLT	1							
9-1	1	129916-21610	BOLT, V-PULLEY	1							N
		(A=E132580)									
10	1	121850-21130	BOLT, FLYWHEEL	6							
11	1	129955-21590	FLYWHEEL ASSY	1							
13	2	129900-21600	GEAR, RING	1							
14	1	129955-21460	CASE ASSY	1							
16	2	22252-000721	RING, 72	1							
17	2	24105-063064	BEARING, BALL 6306Z	1							
18	1	26106-080222	BOLT, M8X 22 PLATED	4							
19	1	129927-22080	PISTON ASSY	4							
21	2	129927-22050	RING SET, PISTON	4							
25	1	120130-22301	PIN, PISTON	4							
26	1	22252-000300	RING, 30	8							
27	1	129900-23001	ROD ASSY, CONNECTING	4							
30	2	129900-23200	BOLT, CONNECTING ROD	8							
31	2	129900-23601	BEARING, CRANK PIN	4							
33	1	129900-23911	BEARING, PISTON PIN	4							1
34	1	129900-23611	BEARING ASSY, 0.25US	4							2
36	1	729927-22900	PISTON ASSY, 0.25 OS	4							3
38	2	729927-22950	RING SET, 0.25 OS	4							3
42	1	129960-21930	GASKET, WASHER	1							W
		(A=E132580)									

Remarks  
(1) REPAIR PART.  
(2) UNDER-SIZED(U.S=0.25)PART.  
(3) OVER-SIZED(O.S=0.25)PART.

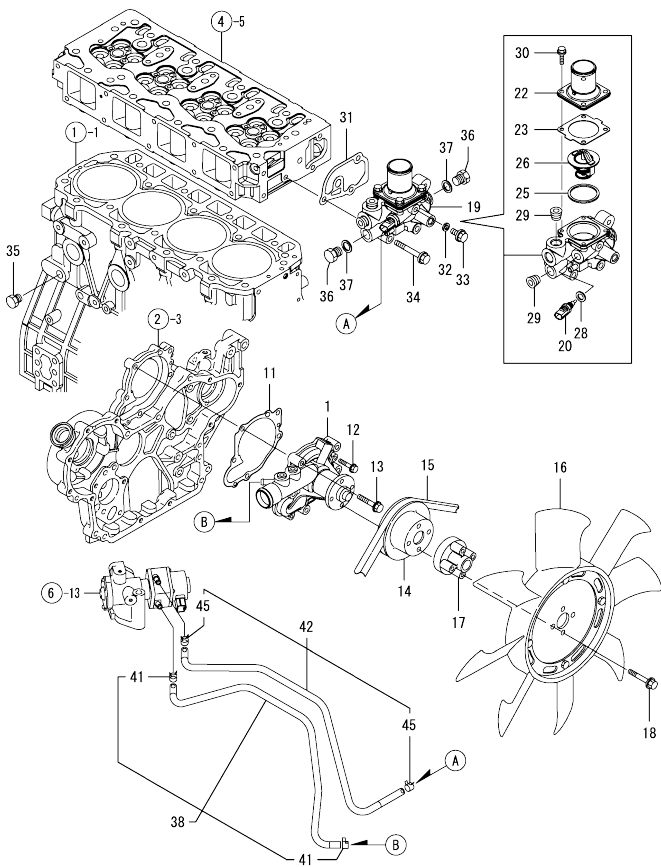
Fig.9. LUB.OIL SYSTEM



No.	Lev.	Parts No.	Description	Q'ty						I	R
				(A)	(B)	(C)	(D)	(E)	(F)		
1	1	121520-34810	GUIDE, DIPSTICK	1							
2	1	129953-34830	DIPSTICK	1							
3	1	119000-35140	BOLT, STUD FILTER	1							
4	1	129150-35170	FILTER,LO	1							
5	1	129900-32030	O-RING, P20	1							
6	1	129953-35000	PIPE ASSY, OIL INLET	1							
11	1	26106-080122	BOLT, M8X 12 PLATED	1							
12	1	26106-080162	BOLT, M8X 16 PLATED	1							
13	1	119761-39450	SWITCH, HYDRAULIC	1							
14	1	129927-39060	PIPE ASSY, OIL	1							
16	2	123907-39500	RETAINER, PIPE	1							
18	1	129005-59830	BOLT ASSY, JOINT M8	2							
19	2	22190-080002	WASHER, SEAL 6	2							
20	2	23857-030000	BOLT, JOINT 3	2							
21	1	22190-080002	WASHER, SEAL 6	2							
22	1	26106-080122	BOLT, M8X 12 PLATED	1							
23	1	129930-39050	PIPE, OIL	1							
24	1	105010-39140	BOLT, PIPE JOINT	2							
25	1	22190-080002	WASHER, SEAL 6	4							

Remarks  
(1) REPAIR PART.

Fig.10. COOLING WATER SYSTEM

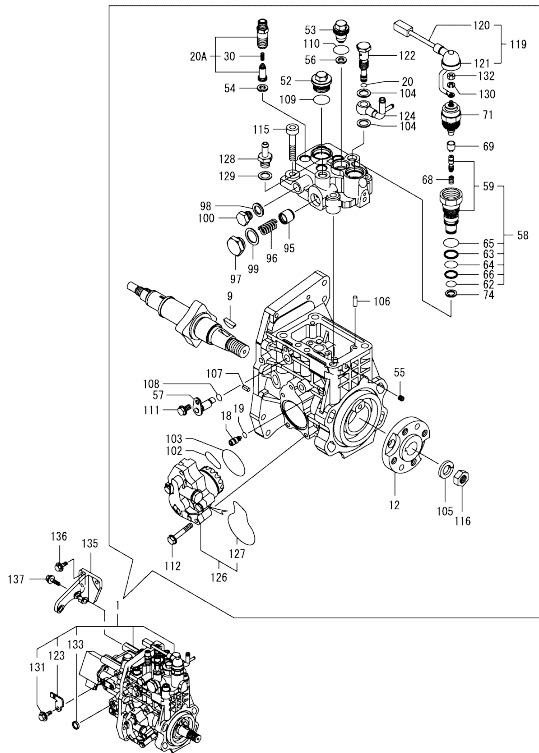


(A)=4TNV98-ZNSAP  
(B)=  
(C)=

(D)=  
(E)=  
(F)=

No.	Lev.	Parts No.	Description	Qty						I	R
				(A)	(B)	(C)	(D)	(E)	(F)		
1	1	129927-42000	PUMP ASSY, WATER	1							
11	1	129900-42020	GASKET, WATER PUMP	1							
12	1	26106-060302	BOLT, M6X 30 PLATED	2							
13	1	26106-080552	BOLT, M8X 55 PLATED	5							
14	1	129900-42450	V-PULLEY, C.W.PUMP	1							
15	1	25132-004200	V-BELT, A42	1							
16	1	129920-44740	FAN, COOLING	1							
17	1	119141-44760	SPACER, FAN	1							
18	1	26106-080552	BOLT, M8X 55 PLATED	4							
19	1	129927-49800	CASE ASSY,THERMOSTAT	1							
20	2	129927-44900	SENSOR, WATER TEMP.	1							
22	2	129916-49530	COVER, THERMOSTAT	1							
23	2	121850-49540	GASKET, THERMOSTAT	1							
25	2	121850-49550	GASKET, THERMOSTAT	1							
26	2	121850-49810	THERMOSTAT, 71C	1							
28	2	22190-120002	WASHER, SEAL 12	1							
29	2	23875-030000	PLUG, R03	2							
30	2	26106-060202	BOLT, M6X 20 PLATED	4							
31	1	129900-49870	GASKET, THERMOSTAT	1							
32	1	23414-080000	GASKET, 8X1.0	1							
33	1	26106-080122	BOLT, M8X 12 PLATED	1							
34	1	26106-080602	BOLT, M8X 60 PLATED	3							
35	1	171056-49120	PLUG, DRAIN R1/4	1							
36	1	121450-42450	PLUG, M16	2							
37	1	124465-44950	GASKET, 16	2							
38	1	129927-49610	HOSE ASSY, WATER	1							
41	2	23080-012000	CLAMP, 12	2							
42	1	129927-49620	HOSE ASSY, WATER	1							
45	2	23080-012000	CLAMP, 12	2							

Fig.11. FUEL INJECTION PUMP

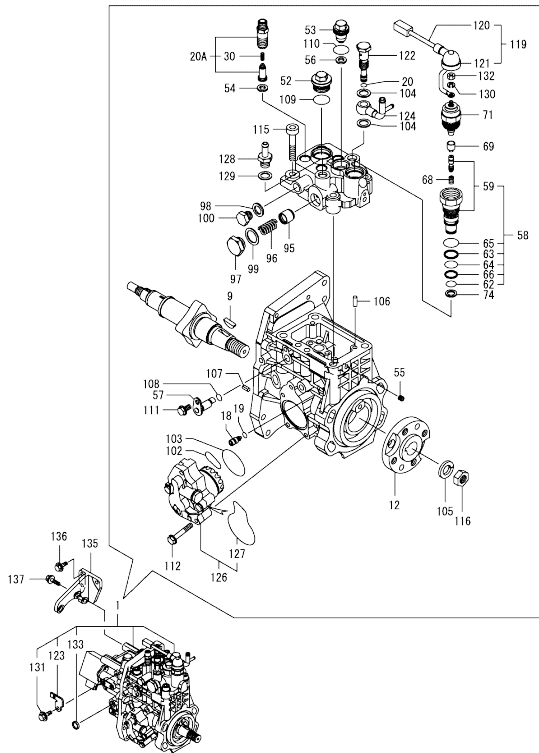


Remarks  
 (1) GOVERNOR ASSY (FIG.12) IS INCORPORATED IN THIS FUEL INJECTION PUMP (REF.NO.1).  
 \* ECO PUMP  
 MAKE SURE TO UPDATE THE ENGINES ECU INFORMATION WHEN REPLACING THE ECO PUMP.  
 FAILING TO DO SO WILL RESULT IN ENGINE MALFUNCTION.

No.	Lev.	Parts No.	Description	Q'ty						I	R
				(A)	(B)	(C)	(D)	(E)	(F)		
1	1	729939-51390	FIE ASSY	1							1
9	2	144626-51090	FEATHER KEY, 5X19	1							
12	2	158563-51150	FLANGE	1							
18	2	158600-51270	STOPPER, TAPPET	1							
19	2	158563-51281	O-RING, 4D S6	1							
20	2	158563-51281	O-RING, 4D S6	1							
20A	2	129927-51390	VALVE ASSY, DELIVERY	4							W
(A**2008.04.)											
30	3	158563-51330	SPRING, DELIVERY	4							
52	2	158601-51550	PLUG, M22	1							
53	2	129907-51560	PLUG, M16	1							
54	2	158552-51570	GASKET, PLUG	4							
55	2	158557-51570	PLUG, RACK	1							
56	2	129906-51580	GASKET, PLUG	1							
57	2	158552-51580	LIFTER, LINK	1							
58	2	129657-51590	TIMER ASSY	1							
59	3	129657-51600	TIMER ASSY	1							
62	3	158553-51670	O-RING	1							
63	3	119802-51680	RING, BACKUP	1							
64	3	119802-51690	O-RING	1							
65	3	24356-010200	O-RING, 4D1020	1							
66	3	24372-000150	RING, BACK UP T2P15	1							
68	2	119852-51630	SPRING, TIMER	1							
69	2	119852-51640	CAP, TIMER	1							
71	2	119852-51650	VALVE ASSY, SOLENOID	1							
74	2	158553-51680	GASKET, TIMER	1							
95	2	158601-51770	PISTON, ACCUMULATOR	1							
96	2	158552-51781	SPRING, ACCUMULATOR	1							
97	2	158601-51790	PLUG	1							
98	2	22190-120002	WASHER, SEAL 12	1							
99	2	22190-180002	WASHER, SEAL 18	1							
100	2	23887-120002	PLUG, 12	1							
102	2	158552-52310	O-RING	1							
103	2	158552-52400	O-RING, 4E S42	1							
104	2	22190-120002	WASHER, SEAL 12	2							
105	2	22217-180000	WASHER, SPRING 18	1							
106	2	22312-050140	PIN, PARALLEL M5X14	2							
107	2	22351-050010	PIN, SPRING 5.0X10	2							
108	2	24311-000070	O-RING, 1AP7.0	1							
109	2	24356-010200	O-RING, 4D1020	1							
110	2	24356-020210	O-RING, 4D2021	1							
111	2	26106-060102	BOLT, M6X 10 PLATED	1							
112	2	26106-060352	BOLT, M6X 35 PLATED	4							
115	2	26450-100452	BOLT, M10X 45	4							
116	2	26776-180002	NUT, LOCK M18	1							
119	2	129927-51650	HARNES ASSY, WIRE	1							
120	3	129927-51660	HARNES	1							
121	3	129263-77941	CAP, RUBBER	1							
122	2	158601-51650	JOINT, OVER FLOW	1							
123	2	129927-51670	BRACKET	1							
124	2	158552-51670	JOINT, OVER FLOW	1							



Fig.11. FUEL INJECTION PUMP



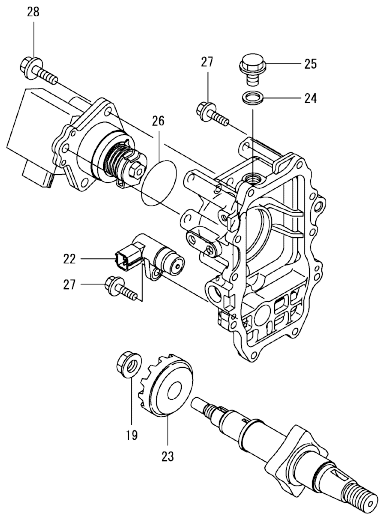
No.	Lev.	Parts No.	Description	Q'ty					
				(A)	(B)	(C)	(D)	(E)	(F)
126	2	158552-52100	PUMP ASSY, FUEL FEED	1					
127	3	158552-52500	O-RING	1					
128	2	119934-59910	JOINT, PIPE	1					
129	2	22190-120002	WASHER, SEAL 12	1					
130	2	22217-050000	WASHER, SPRING 5	1					
131	2	26106-060122	BOLT, M6X 12 PLATED	1					
132	2	26716-050002	NUT, M5	1					
133	2	27241-160000	PLUG, 16	1					
135	1	129927-51250	RETAINER, PUMP	1					
136	1	26106-080202	BOLT, M8X 20 PLATED	3					
137	1	26106-080302	BOLT, M8X 30 PLATED	3					

Remarks

(1) GOVERNOR ASSY (FIG.12) IS INCORPORATED IN THIS FUEL INJECTION PUMP (REF.NO.1).  
 \* ECO PUMP  
 MAKE SURE TO UPDATE THE ENGINES ECU INFORMATION WHEN REPLACING THE ECO PUMP.  
 FAILING TO DO SO WILL RESULT IN ENGINE MALFUNCTION.

0CW10-M33900 4TNV98-ZNSAP  
 Fig.12. GOVERNOR

0CW10-M33900 Fig.12



(A)=4TNV98-ZNSAP  
 (B)=  
 (C)=

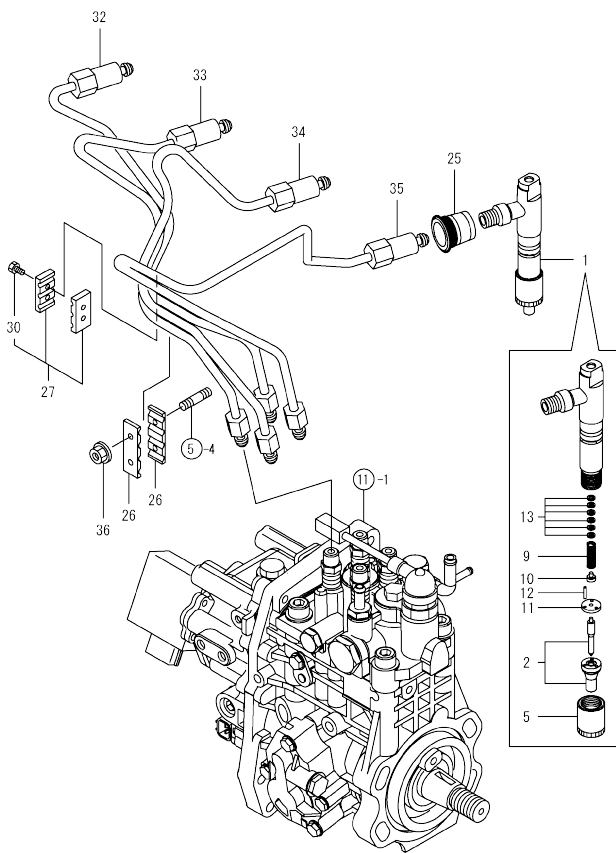
(D)=  
 (E)=  
 (F)=

No.	Lev.	Parts No.	Description	Q'ty					
				(A)	(B)	(C)	(D)	(E)	(F)
19	2	129008-61301	NUT	1					
22	2	158557-61720	SENSOR	1					
23	2	158553-61780	GEAR, SENSOR	1					
24	2	23414-120000	GASKET, 12X1.0	1					
25	2	23887-120002	PLUG, 12	1					
26	2	24341-000480	O-RING, 1AS48.0	1					
27	2	26106-060252	BOLT, M6X 25 PLATED	10					
28	2	26106-080252	BOLT, M8X 25 PLATED	3					

Remarks  
 \* THIS FIGURE(GOVERNOR ASSY)IS  
 INCORPORATED IN THE FUEL INJECTION  
 PUMP ASSY(FIG.11).

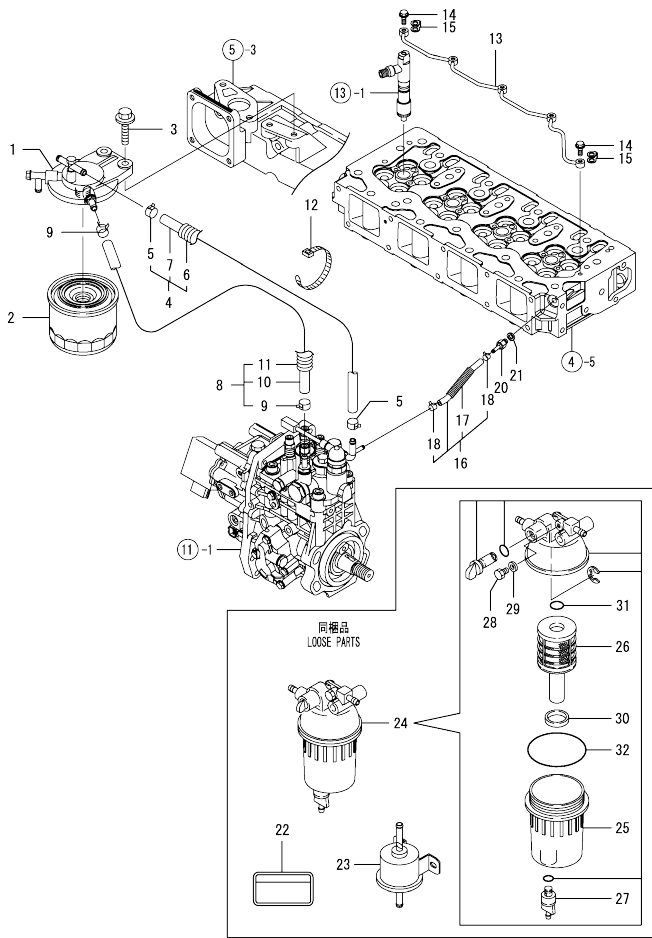
N:Old  $\frac{100}{100}$  New. Q:Old  $\frac{100}{100}$  New. R:Old  $\frac{100}{100}$  New. S:Old  $\frac{100}{100}$  New. W:Add. Z:Discontinued. F:Interchangeable by set. K:Q'ty Change  
 Copyright (C) YANMAR GLOBAL CS CO., LTD. All Rights Reserved.

Fig.13. FUEL INJECTION VALVE



No.	Lev.	Parts No.	Description	Q'ty						I	R
				(A)	(B)	(C)	(D)	(E)	(F)		
1	1	729927-53100	FUEL INJECTOR ASSY	4							
2	2	129927-53000	NOZZLE ASSY, F.I.	4							
5	2	114250-53080	NUT, NOZZLE	4							
9	2	114250-53120	SPRING, NOZZLE	4							
10	2	114250-53130	SEAT, SPRING	4							
11	2	114250-53140	SPACER	4							
12	2	114250-53210	PIN	8							
13	2	114250-53400	SHIM SET	4							
25	1	123907-11601	SEAL, PIPE	4							
26	1	123472-59120	RETAINER, PIPE	2							
27	1	129150-59120	RETAINER, PIPE	1							
30	2	129150-59131	BOLT, M4X14	2							
32	1	129927-59810	PIPE ASSY, INJECTION	1							
33	1	129927-59820	PIPE ASSY, INJECTION	1							
34	1	129927-59830	PIPE ASSY, INJECTION	1							
35	1	129927-59840	PIPE ASSY, INJECTION	1							
36	1	26366-060002	NUT, M6	2							

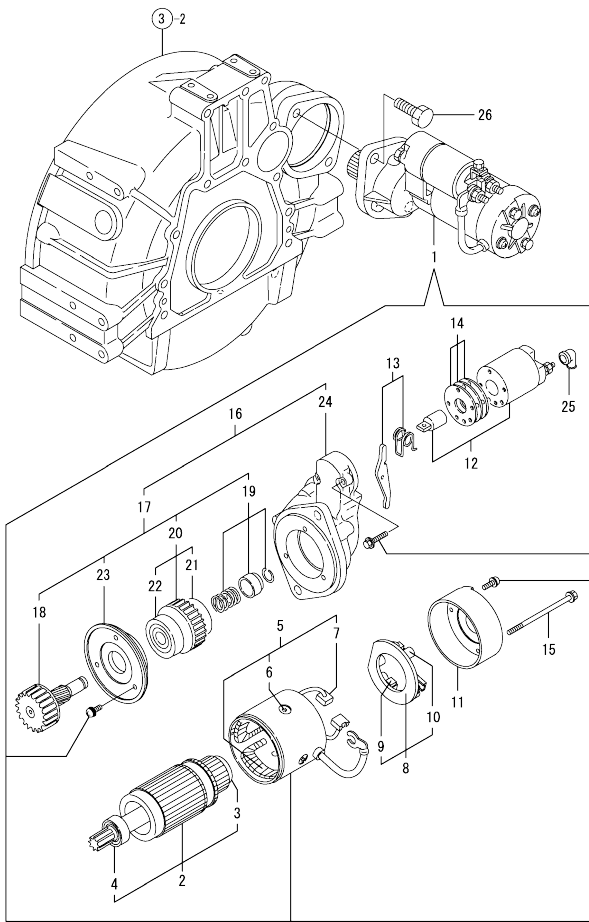
Fig.14. FUEL LINE



No.	Lev.	Parts No.	Description	Q'ty						I	R
				(A)	(B)	(C)	(D)	(E)	(F)		
1	1	129004-55612	BRACKET, FILTER	1							
2	1	119802-55810	FILTER,FO	1							
3	1	26106-080302	BOLT, M8X 30 PLATED	2							
4	1	129457-59010	HOSE ASSY, FUEL	1							
5	2	124766-59050	CLAMP, HOSE 11.5	2							
6	2	129957-59120	TUBE, CORRUGATED 15	1							
7	2	105025-59750	HOSE, FUEL	1							
8	1	129961-59310	HOSE ASSY, FUEL	1							
9	2	124766-59050	CLAMP, HOSE 11.5	2							
10	2	129136-59110	HOSE, D13/7.5X270	1							
11	2	129961-59110	TUBE, CORRUGATED 15	1							
12	1	121750-59890	BAND, NYLON	1							
13	1	129907-59140	PIPE ASSY, RETURN	1							
14	1	123907-59540	BOLT, PIPE JOINT M6	5							
15	1	123907-59550	GASKET	5							
16	1	129927-59550	HOSE ASSY RETURN	1							
17	2	129263-49750	TUBE, CORRUGATED	1							
18	2	124722-59050	CLAMP, HOSE 9	2							
20	1	123907-59560	JOINT, HOSE	1							
21	1	22190-080002	WASHER, SEAL 6	1							
22	1	114110-07760	LABEL, FUEL CAUTION	1							
23	1	119225-52102	PUMP, FUEL FEED	1							
24	1	129242-55700	SEPARATOR ASSY,WATER	1							
25	2	129242-55720	CUP, SEPARATOR	1							
26	2	129242-55730	ELEMENT, FUEL	1							
27	2	129242-55740	PLUG, DRAIN	1							
28	2	129242-55750	VALVE, AIR VENT	1							
29	2	129242-55760	GASKET, PLUG	1							
30	2	129242-55770	FLOAT	1							
31	2	24311-000160	O-RING, 1AP16.0	1							
32	2	24321-000750	O-RING, 1AG75.0	1							

N:Old  $\frac{100}{100}$  New, Q:Old  $\frac{100}{100}$  New, R:Old  $\frac{100}{100}$  New, S:Old  $\frac{100}{100}$  New, W:Add, Z:Discontinued, F:Interchangeable by set, K:Q'ty Change  
 Copyright (C) YANMAR GLOBAL CS CO., LTD. All Rights Reserved.

Fig.15. STARTING MOTOR



(A)=4TNV98-ZNSAP  
(B)=  
(C)=

(D)=  
(E)=  
(F)=

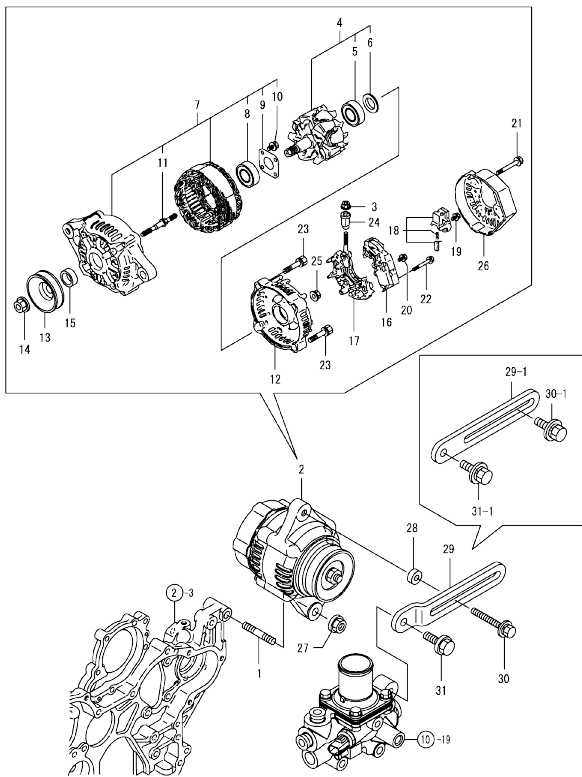
No.	Lev.	Parts No.	Description	Q'ty					
				(A)	(B)	(C)	(D)	(E)	(F)
1	1	129900-77010	STARTER ASSY	1					
2	2	129900-77400	ARMATURE ASSY	1					
3	3	X2114155110	BEARING, BALL	1					
4	3	X2114255110	BEARING, BALL	1					
5	2	129900-77440	COIL ASSY, FIELD	1					
6	3	171008-77450	SCREW, CORE SET	4					
7	3	129900-77450	BRUSH	2					
8	2	129900-77480	HOLDER ASSY, BRUSH	1					
9	3	129900-77450	BRUSH	2					
10	3	X2130631300	SPRING, BRUSH	4					
11	2	129900-77460	COVER	1					
12	2	129900-77591	SWITCH ASSY, MAGNET	1					
13	2	129900-77620	LEVER SET	1					
14	2	129900-77650	COVER KIT, DUST	1					
15	2	129900-77640	BOLT, THROUGH	2					
16	2	129900-77700	CASE ASSY, GEAR	1					
17	3	129900-77510	PINION ASSY,W/CLUTCH	1					
18	4	129900-77540	SHAFT, PINION	1					
19	4	129900-77550	STOPPER SET, PINION	1					
20	4	129900-77520	CLUTCH ASSY	1					
21	5	171008-77730	BEARING, BALL	1					
22	5	171008-77740	BEARING, BALL	1					
23	4	129900-77610	RETAINER, BEARING	1					
24	3	129900-77710	CASE, GEAR	1					
25	2	171008-77750	COVER, TERMINAL	1					
26	1	26116-120302	BOLT, M12X 30 PLATED	2					

N:Old  $\frac{New}{Old}$  New, Q:Old  $\frac{New}{Old}$  New, R:Old  $\frac{New}{Old}$  New, S:Old  $\frac{New}{Old}$  New, W:Add, Z:Discontinued, F:Interchangeable by set, K:Q'ty Change  
Copyright (C) YANMAR GLOBAL CS CO., LTD. All Rights Reserved.

Fig.16. GENERATOR

(A)=4TNV98-ZNSAP  
(B)=  
(C)=

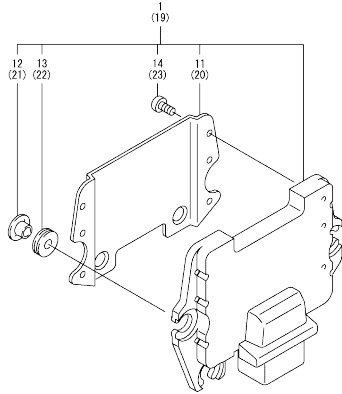
(D)=  
(E)=  
(F)=



No.	Lev.	Parts No.	Description	Qty						I	R
				(A)	(B)	(C)	(D)	(E)	(F)		
1	1	129795-01900	BOLT, STUD M10X33	1							
2	1	119626-77210	ALTERNATOR, 12V-55A	1							
3	2	X9490561001	NUT	1							
4	2	129052-77380	ROTOR ASSY	1							
5	3	123501-79240	BEARING, BALL	1							
6	3	119620-79250	COVER, BEARING	1							
7	2	129052-77422	FRAME ASSY	1							
8	3	119620-79200	BEARING, BALL	1							
9	3	119620-79210	RETAINER	1							
10	3	119620-79220	SCREW	4							
11	3	119620-79230	BOLT, STUD	2							
12	2	128401-77440	COVER	1							
13	2	119620-77461	PULLEY, GENERATOR	1							
14	2	119620-77471	NUT	1							
15	2	119620-77490	COLLAR	1							
16	2	119626-77710	REGULATOR ASSY	1							
17	2	129052-79260	HOLDER	1							
18	2	129052-79270	HOLDER, BRUSH	1							
19	2	119620-79290	SCREW	6							
20	2	119620-79300	SCREW	1							
21	2	119620-79310	BOLT	3							
22	2	119620-79320	SCREW	2							
23	2	119620-79330	BOLT	2							
24	2	119620-79340	BUSH, INSULATION	1							
25	2	119620-79350	NUT	2							
26	2	119626-77450	FRAME	1							
27	1	26306-100002	NUT, M10	1							
28	1	119940-77270	SPACER	1							Z
(A=EXXXXX)											
29	1	129972-77330	ADJUSTER, BELT	1							
29-1	1	129988-77330	ADJUSTER, BELT	1							S 1
(A=EXXXXX)											
30	1	129972-77341	BOLT, ADJUST L=50	1							
30-1	1	119810-77340	BOLT, ADJUST L=30	1							S 1
(A=EXXXXX)											
31	1	26106-080222	BOLT, M8X 22 PLATED	1							
31-1	1	26014-080252	BOLT, M8X 25	1							S 1
(A=EXXXXX)											

Remarks  
(1) Interchangeable by simultaneous replacement with Ref.29-1, 30-1 and 31-1.

Fig.17. ELECTRONIC CONTROL UNIT (ECU)



(A)=4TNV98-ZNSAP  
(B)=  
(C)=

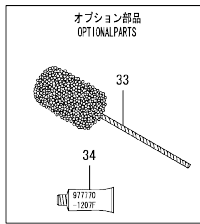
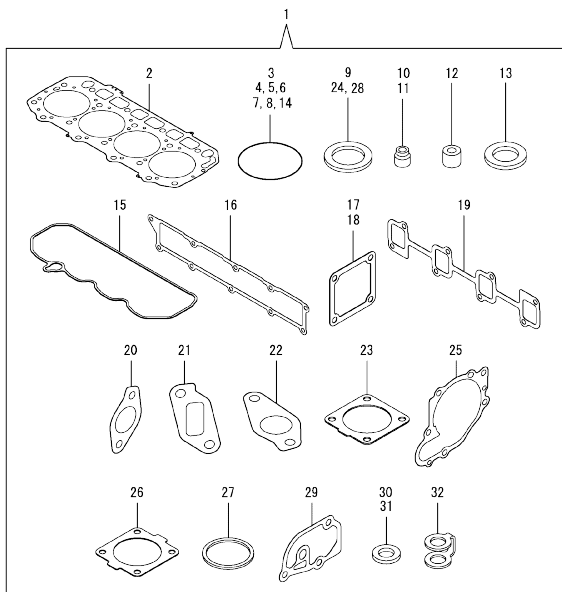
(D)=  
(E)=  
(F)=

No.	Lev.	Parts No.	Description	Q'ty						I	R
				(A)	(B)	(C)	(D)	(E)	(F)		
1	1	129988-75000	CONTROLLER ASSY, EUC	1							1
11	2	129927-77600	SHIELD, ECU	1							
12	2	129927-77680	COLLAR, CONTROL	3							
13	2	119578-91351	ABSORBER	3							
14	2	22877-500080	SCREW, 5X 8	6							
19	1	129927-75900	ECU ASSY, SERVICE	1							2
20	2	129927-77600	SHIELD, ECU	1							
21	2	129927-77680	COLLAR, CONTROL	3							
22	2	119578-91351	ABSORBER	3							
23	2	22877-500080	SCREW, 5X 8	6							

Remarks

(1)ECO ECU  
THIS PART CANNOT BE ORDERED.  
REPLACE THE PART USING A SERVICE  
ECU WITH THE PROPER ENGINE  
INFORMATION INSTALLED.  
(2)SERVICE ECU  
IF THE PROPER INFORMATION IS NOT  
INSTALLED, THE ENGINE WILL NOT  
OPERATE.  
TO INSTALL PROPER INFORMATION,  
GO TO AN AUTHORIZED DISTRIBUTOR.

Fig.18. GASKET SET



(A)=4TNV98-ZNSAP  
(B)=  
(C)=

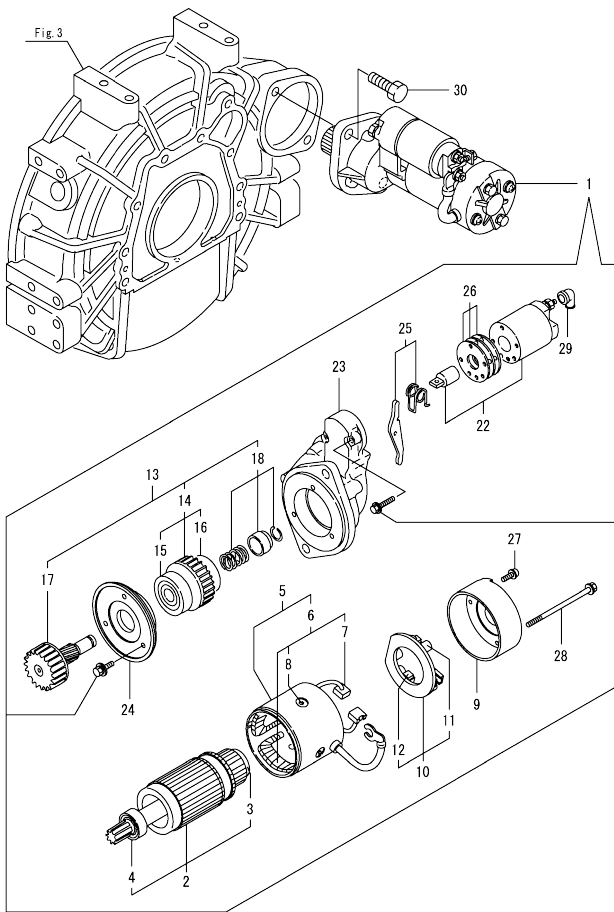
(D)=  
(E)=  
(F)=

No.	Lev.	Parts No.	Description	Q'ty						I	R
				(A)	(B)	(C)	(D)	(E)	(F)		
1	1	729927-92760	GASKET SET	1							1
2	2	129907-01331	GASKET, HEAD	1							
3	2	129900-32030	O-RING, P20	2							
4	2	129900-32040	O-RING, P14	1							
5	2	24311-000070	O-RING, 1AP7.0	1							
6	2	24351-030750	O-RING, 1A3075	1							
7	2	24311-000320	O-RING, 1AP32.0	2							
8	2	24321-000850	O-RING, 1AG85.0	1							
9	2	22190-220002	WASHER, SEAL 22	1							
10	2	119803-11340	SEAL, VALVE STEM	8							
11	2	124160-11340	SEAL, VALVE STEM	8							
12	2	119802-11870	PROTECTOR, NOZZLE	4							
13	2	119625-11880	SEAT, NOZZLE	4							
14	2	24311-000120	O-RING, 1AP12.0	8							
15	2	129933-11310	GASKET, BONNET	1							
16	2	129907-12110	GASKET, MANIFOLD	1							
17	2	119129-77020	GASKET	1							
18	2	121850-77021	GASKET, AIR HEATER	1							
19	2	129900-13251	GASKET, EXH.MANIFOLD	1							
20	2	129927-13810	GASKET	1							
21	2	129927-13910	GASKET, EGR	1							
22	2	129927-13920	GASKET, EGR	1							
23	2	129930-13201	GASKET, SILENCER	1							
24	2	22190-080002	WASHER, SEAL 6	9							
25	2	129900-42020	GASKET, WATER PUMP	1							
26	2	121850-49540	GASKET, THERMOSTAT	1							
27	2	121850-49550	GASKET, THERMOSTAT	1							
28	2	22190-120002	WASHER, SEAL 12	1							
29	2	129900-49870	GASKET, THERMOSTAT	1							
30	2	23414-080000	GASKET, 8X1.0	1							
31	2	124465-44950	GASKET, 16	2							
32	2	123907-59550	GASKET	5							
33	1	129400-92450	HONE, FLEX	1							1
34	1	977770-1207F	GASKET, LIQUID	1							1

Remarks  
(1) OPTIONAL PART.



Fig.19. (15A)STARTING MOTOR



No.	Lev.	Parts No.	Description	Q'ty						I	R
				(A)	(B)	(C)	(D)	(E)	(F)		
1	1	129900-77040	STARTER ASSY	1							
2	2	129900-77120	ARMATURE ASSY	1							
3	3	171008-77410	BEARING, BALL	1							
4	3	171008-77420	BEARING, BALL	1							
5	2	129900-77130	YOKE ASSY	1							
6	3	129900-77140	COIL ASSY, FIELD	1							
7	4	129900-77450	BRUSH	2							
8	4	171008-77450	SCREW, CORE SET	4							
9	2	129900-77150	COVER	1							
10	2	129900-77160	HOLDER ASSY, BRUSH	1							
11	3	X2130631300	SPRING, BRUSH	4							
12	3	129900-77450	BRUSH	2							
13	2	129900-77170	CLUTCH ASSY	1							
14	3	129900-77180	CLUTCH ASSY	1							
15	4	129900-77190	BEARING, BALL	1							
16	4	X2114955020	BEARING, BALL	1							
17	3	129900-77270	SHAFT, PINION	1							
18	3	171008-77670	STOPPER SET, PINION	1							
22	2	129900-77280	SWITCH ASSY, MAGNET	1							
23	2	129900-77290	CASE, GEAR	1							
24	2	129900-77380	RETAINER, BEARING	1							
25	2	129900-77390	LEVER ASSY, SHIFT	1							
26	2	129900-77420	COVER KIT, DUST	1							
27	2	129900-77430	SCREW, M4X10	2							
28	2	129685-77640	BOLT, THROUGH	2							
29	2	171008-77750	COVER, TERMINAL	1							
30	1	26116-120302	BOLT, M12X 30 PLATED	2							

## Parts No. Index

Parts No.	Fig. No.	Ref. No.
105010-39140	9	24
105025-59750	14	7
114110-07760	14	22
114220-07130	6	19
114250-53080	13	5
114250-53120	13	9
114250-53130	13	10
114250-53140	13	11
114250-53210	13	12
114250-53400	13	13
119000-35140	9	3
119005-77051	5	9
119129-77020	5	7
	18	17
119129-77520	5	10
119131-18320	6	7
119141-44760	10	17
119225-52102	14	23
119578-91351	17	13
		22
119593-11301	4	31
119620-01750	3	3
119620-11180	4	15
119620-77461	16	13
119620-77471	16	14
119620-77490	16	15
119620-79200	16	8
119620-79210	16	9
119620-79220	16	10
119620-79230	16	11
119620-79250	16	6
119620-79290	16	19
119620-79300	16	20
119620-79310	16	21
119620-79320	16	22
119620-79330	16	23
119620-79340	16	24
119620-79350	16	25
119625-11880	4	27
	18	13
119626-77210	16	2
119626-77450	16	26
119626-77710	16	16
119640-01640	3	8
119640-61400	4	62
119761-39450	9	13
119802-11870	4	26
	18	12
119802-13680	6	6
119802-51680	11	63

Parts No.	Fig. No.	Ref. No.
119802-51690	11	64
119802-55810	14	2
119803-11340	4	16
	18	10
119810-77340	16	30 -1
119852-51630	11	68
119852-51640	11	69
119852-51650	11	71
119934-59910	11	128
119940-77270	16	28
120130-22301	8	25
121023-26070	2	30
121450-42450	10	36
121520-34810	9	1
121750-59890	14	12
121850-21130	8	10
121850-21290	8	4
121850-21680	8	9
121850-21920	8	5
121850-49540	10	23
	18	26
121850-49550	10	25
	18	27
121850-49810	10	26
121850-77021	5	8
	18	18
123472-59120	13	26
123501-79240	16	5
123900-25060	7	9
123907-03100	4	56
123907-03110	4	57
123907-03120	4	58
123907-03140	4	59
123907-11280	4	36
123907-11550	4	4
123907-11601	13	25
123907-11820	4	22
123907-11830	4	21
123907-39500	9	16
123907-59540	14	14
123907-59550	14	15
	18	32
123907-59560	14	20
124160-01751	2	24
	4	51
124160-11340	4	17
	18	11
124160-11360	4	67
124465-44950	10	37
	18	31

Parts No.	Fig. No.	Ref. No.
124722-59050	14	18
124766-59050	14	5
		9
128401-77440	16	12
129001-91810	2	27
		38
129004-55612	14	1
129005-59830	9	18
129008-61301	12	19
129052-77380	16	4
129052-77422	16	7
129052-79260	16	17
129052-79270	16	18
129100-01580	2	1
	3	1
129136-59110	14	10
129150-02450	7	4
129150-11230	4	39
		43
129150-11750	4	20
		40
		44
129150-14200	7	1
129150-25920	7	13
129150-35170	9	4
129150-59120	13	27
129150-59131	13	30
129242-55700	14	24
129242-55720	14	25
129242-55730	14	26
129242-55740	14	27
129242-55750	14	28
129242-55760	14	29
129242-55770	14	30
129263-13210	6	4
129263-49750	14	17
129263-77941	11	121
129400-92450	18	33
129418-18320	6	3
129457-59010	14	4
129657-51590	11	58
129657-51600	11	59
129685-77640	19	28
129795-01900	16	1
129900-01200	1	27
129900-01250	1	4
129900-01740	2	26
129900-01850	2	36
129900-01870	2	37
129900-02020	1	6

Parts No.	Fig. No.	Ref. No.
129900-02341	1	32
129900-02410	1	9
129900-02931	1	24
129900-02941	1	35
129900-13251	6	5
	18	19
129900-14110	7	6
129900-14140	2	41
129900-21220	8	3
129900-21600	8	13
129900-21640	8	7
129900-23001	8	27
129900-23200	8	30
129900-23601	8	31
129900-23611	8	34
129900-23911	8	33
129900-25110	7	10
129900-26030	7	20
129900-26250	2	42
129900-32001	2	4
129900-32030	2	16
	9	5
	18	3
129900-32040	2	17
	18	4
129900-42020	10	11
	18	25
129900-42450	10	14
129900-49870	10	31
	18	29
129900-77010	15	1
129900-77040	19	1
129900-77120	19	2
129900-77130	19	5
129900-77140	19	6
129900-77150	19	9
129900-77160	19	10
129900-77170	19	13
129900-77180	19	14
129900-77190	19	15
129900-77270	19	17
129900-77280	19	22
129900-77290	19	23
129900-77380	19	24
129900-77390	19	25
129900-77400	15	2
129900-77420	19	26
129900-77430	19	27
129900-77440	15	5
129900-77450	15	7



## Parts No. Index

Parts No.	Fig. No.	Ref. No.
24311-000320	18	7
24321-000750	14	32
24321-000850	2	31
	18	8
24341-000480	12	26
24351-030750	2	19
	18	6
24356-010200	11	65
		109
24356-020210	11	110
24372-000150	11	66
25132-004200	10	15
26014-080252	16	31 -1
26106-060102	11	111
26106-060122	4	66
	11	131
26106-060202	10	30
26106-060252	12	27
26106-060302	10	12
26106-060352	11	112
26106-080122	3	11
	9	11
		22
26106-080162	10	33
	2	20
		28
		39
	4	3
	7	8
	9	12
26106-080202	2	21
	11	136
26106-080222	8	18
	16	31
26106-080252	12	28
26106-080302	11	137
	14	3
26106-080402	2	29
		40
	4	47
	5	11
26106-080452	2	22
	5	5
26106-080552	7	14
	10	13
		18
26106-080602	4	48
		49
	10	34
26106-080802	5	6

Parts No.	Fig. No.	Ref. No.
26106-080902	5	12
26106-100202	2	32
26106-100302	6	11
		16
26106-100952	6	17
26116-120302	15	26
	19	30
26206-100352	3	4
26206-100702	3	5
26216-060202	5	4
26216-100302	2	15
26226-080222	4	46
26306-080002	4	50
	6	8
		12
26306-100002	2	23
	16	27
26366-060002	13	36
26450-100452	11	115
26716-050002	11	132
26776-180002	7	19
	11	116
	11	133
27241-160000	11	133
27241-300000	1	14
27241-400000	4	11
27310-070001	4	23
729900-02801	1	29
729907-01559	2	33
729927-01560	1	1
729927-22900	8	36
729927-22950	8	38
729927-53100	13	1
729927-92760	18	1
729939-51390	11	1
977770-1207F	18	34
X2114155110	15	3
X2114255110	15	4
X2114955020	19	16
X2130631300	15	10
	19	11
X9490561001	16	3

Parts No.	Fig. No.	Ref. No.
-----------	----------	----------

Parts No.	Fig. No.	Ref. No.
-----------	----------	----------