

0CD50-M07010EN

P R E F A C E

This parts catalog is the 1st edition of 4TNV98-ZCPTYBC for TRYSUN.

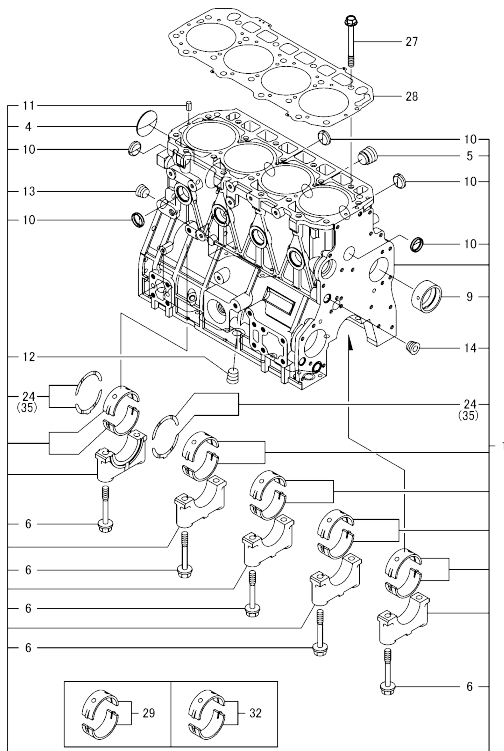
Published : August, 2021

Contents

OCD50-M07010

Fig. No.	Fig. Name	Fig. No.	Fig. Name
ENGINE			
1.	CYLINDER BLOCK		
2.	GEAR HOUSING		
3.	FLYWHEEL HOUSING & OIL SUMP		
4.	CYLINDER HEAD & BONNET		
5.	SUCTION MANIFOLD & AIR CLEANER		
6.	EXHAUST MANIFOLD & SILENCER		
7.	CAMSHAFT & DRIVING GEAR		
8.	CRANKSHAFT & PISTON		
9.	LUB. OIL SYSTEM		
10.	COOLING WATER SYSTEM		
11.	FUEL INJECTION PUMP		
12.	GOVERNOR		
13.	FUEL INJECTION VALVE		
14.	FUEL PIPE		
15.	STARTER MOTOR		
16.	GENERATOR		
17.	ELECTRONIC CONTROL UNIT(ECU)		
18.	ACCESSORY		

Fig.1. CYLINDER BLOCK



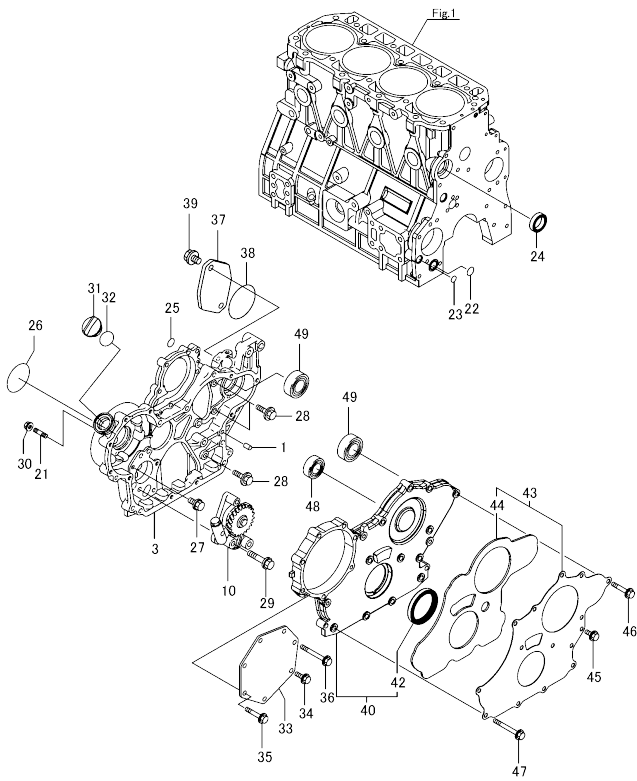
(A)=4TNV98-ZCPTYBC
(B)=
(C)=

(D)=
(E)=
(F)=

No.	Lev.	Parts No.	Description	Q'ty						I	R
				(A)	(B)	(C)	(D)	(E)	(F)		
1	1	729927-01560	BLOCK ASSY, CYLINDER	1							
4	2	129900-01250	PLUG, 55	1							
5	2	171051-01921	PLUG, NPTF1	1							
6	2	129900-02020	BOLT, METAL CAP	10							
9	2	129900-02410	BUSH, CAMSHAFT	1							
10	2	27241-300000	PLUG(30)	8							
11	2	22351-060012	PIN, SPRING 6.0X12	2							
12	2	23876-030000	PLUG, R03	1							
13	2	23876-030000	PLUG, R03	1							
14	2	23876-030000	PLUG, R03	1							
24	2	129927-02930	BEARING ASSY, THRUST	2							
27	1	129900-01200	BOLT, CYLINDER HEAD	18							
28	1	129907-01331	GASKET, HEAD	1							
29	1	729927-02800	BEARING ASSY, MAIN	5							1
32	1	129927-02340	BEARING ASSY, MAIN US	5							2
35	1	129927-02940	BEARING, THRUST 0.25OS	2							3

Remarks
 (1) Spare parts.
 (2) Under-sized (U.S.=0.25) parts.
 (3) Over-sized (O.S.=0.25) parts.

Fig.2. GEAR HOUSING



No.	Lev.	Parts No.	Description	Q'ty						I	R
				(A)	(B)	(C)	(D)	(E)	(F)		
1	1	129100-01580	PIN, PARALLEL 8X16	4							
3	1	129962-01500	CASE, GEAR	1							
10	1	129900-32001	PUMP ASSY, OIL	1							
21	1	26216-100302	STUD, M10X 30	4							
22	1	129900-32030	O-RING, P20	1							
23	1	129900-32040	O-RING, P14	1							
24	1	129927-42140	GASKET, PUMP OUTLET	1							
25	1	24311-000070	O-RING, 1AP7.0	1							
26	1	24351-030750	O-RING, 1A3075	1							
27	1	26106-080162	BOLT, M8X 16 PLATED	1							
28	1	26106-080202	BOLT, M8X 20 PLATED	3							
29	1	26106-080452	BOLT, M8X 45 PLATED	3							
30	1	26306-100002	NUT, M10	4							
31	1	124160-01751	CAP, FILLER	1							
32	1	24311-000320	O-RING, 1AP32.0	1							
33	1	129951-01740	COVER, PUMP TIMING	1							
34	1	26106-080202	BOLT, M8X 20 PLATED	1							
35	1	26106-080452	BOLT, M8X 45 PLATED	5							
36	1	26106-080752	BOLT, M8X 75 PLATED	1							
37	1	121023-26071	COVER, PUMP	1							
38	1	24321-000850	O-RING, 1AG85.0	1							
39	1	26106-100202	BOLT, M10X 20 PLATED	2							
40	1	729907-01559	COVER ASSY, CASE	1							
42	2	129916-01800	SEAL, OIL	1							
43	1	129900-01850	COVER ASSY, CASE	1							
44	2	129900-01870	SPONGE, COVER	1							
45	1	26106-080162	BOLT, M8X 16 PLATED	3							
46	1	26106-080402	BOLT, M8X 40 PLATED	5							
47	1	26106-080702	BOLT, M8X 70 PLATED	6							
48	1	129900-14140	BEARING, BALL 6205	1							
49	1	129900-26250	BEARING, BALL 6206C3	2							

Fig.3. FLYWHEEL HOUSING & OIL SUMP

(A)=4TNV98-ZCPTYBC
(B)=
(C)=

(D)=
(E)=
(F)=

No.	Lev.	Parts No.	Description	Q'ty						I	R
				(A)	(B)	(C)	(D)	(E)	(F)		
1	1	129100-01580	PIN, PARALLEL 8X16	2							
2	1	129900-01620	HOUSING, FLYWHEEL	1							
4	1	119620-01750	CAP, WHEEL COVER	1							
5	1	26206-100352	BOLT, M10X 35 PLATED	9							
6	1	26206-100702	BOLT, M10X 70 PLATED	4							
7	1	129916-01790	SEAL, D115/95XT11	1							
8	1	129902-01710	OIL PAN ASSY	1							
9	2	119640-01640	PLUG, DRAIN M22	1							
12	2	22190-220002	WASHER, SEAL 22	1							
13	1	26106-080122	BOLT, M8X 12 PLATED	16							

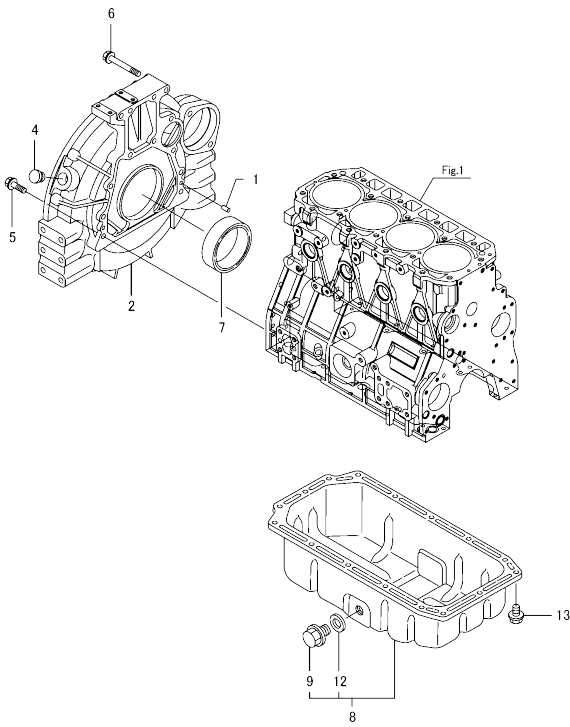
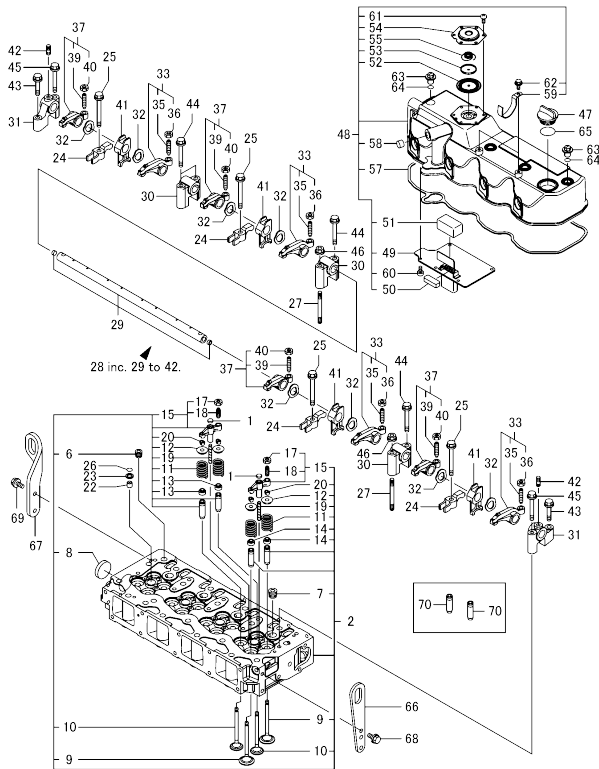


Fig.4. CYLINDER HEAD & BONNET

(A)=4TNV98-ZCPTYBC
(B)=
(C)=

(D)=
(E)=
(F)=



No.	Lev.	Parts No.	Description	Q'ty						I	R
				(A)	(B)	(C)	(D)	(E)	(F)		
1	1	123907-11550	SEAT, VALVE BRIDGE	8							
2	1	129927-11700	HEAD ASSY, CYLINDER	1							
6	2	23876-020000	PLUG, R02	1							
7	2	23876-030000	PLUG, R03	4							
8	2	27241-400000	PLUG, 40	1							
9	2	129907-11100	VALVE, INTAKE	8							
10	2	129907-11110	VALVE, EXHAUST	8							
11	2	129907-11120	SPRING, VALVE	16							
12	2	119620-11180	RETAINER, SPRING	16							
13	2	119803-11340	SEAL, VALVE STEM	8							
14	2	124160-11340	SEAL, VALVE STEM	8							
15	2	129907-11510	BRIDGE ASSY, VALVE	8							
17	3	129150-11750	NUT, M8XP1.0	8							
18	3	123907-11830	ADJUSTER, BRIDGE	8							
19	2	123907-11820	GUIDE, BRIDGE	8							
20	2	27310-070001	COTTER, 7	16							
22	1	119802-11870	PROTECTOR, NOZZLE	4							
23	1	119625-11880	SEAT, NOZZLE	4							
24	1	129907-11960	RETAINER, NOZZLE	4							
25	1	129907-11950	BOLT, VALVE HOLDER	4							
26	1	24311-000120	O-RING, 1AP12.0	4							
27	1	119593-11301	STUD, M8X80	2							
28	1	129907-11341	SUPPORT ASSY, ROCKER	1							
29	2	129907-11250	SHAFT, ROCKER ARM	1							
30	2	129907-11260	SUPPORT, ROCKER A	3							
31	2	129907-11270	SUPPORT, ROCKER B	2							
32	2	123907-11280	WASHER, WAVE	8							
33	2	129907-11650	ARM ASSY, ROCKER INT	4							
35	3	129150-11230	SCREW, VALVE ADJUST	4							
36	3	129150-11750	NUT, M8XP1.0	4							
37	2	129907-11660	ARM ASSY, ROCKER EXH	4							
39	3	129150-11230	SCREW, VALVE ADJUST	4							
40	3	129150-11750	NUT, M8XP1.0	4							
41	2	129907-11920	RETAINER, NOZZLE	4							
42	2	26226-080222	STUD, M8X 22	2							
43	1	26106-080402	BOLT, M8X 40 PLATED	2							
44	1	26106-080602	BOLT, M8X 60 PLATED	4							
45	1	26106-080602	BOLT, M8X 60 PLATED	2							
46	1	26306-080002	NUT, M8	2							
47	1	124160-01751	CAP, FILLER	1							
48	1	129922-11320	BONNET ASSY	1							
49	2	129907-03011	PLATE, BAFFLE	1							
50	2	129907-03061	BAFFLE, BREATHER	1							
51	2	129907-03070	BAFFLE, BREATHER	1							
52	2	123907-03100	DIAPHRAGM, BREATHER	1							
53	2	123907-03110	PLATE, CENTER	1							
54	2	129922-03120	PLATE, BREATHER	1							
55	2	123907-03140	SPRING, DIAPHRAGM	1							
57	2	129933-11310	GASKET, BONNET	1							
58	2	119640-61400	PLUG	1							
59	2	175339-79700	CLIP	2							

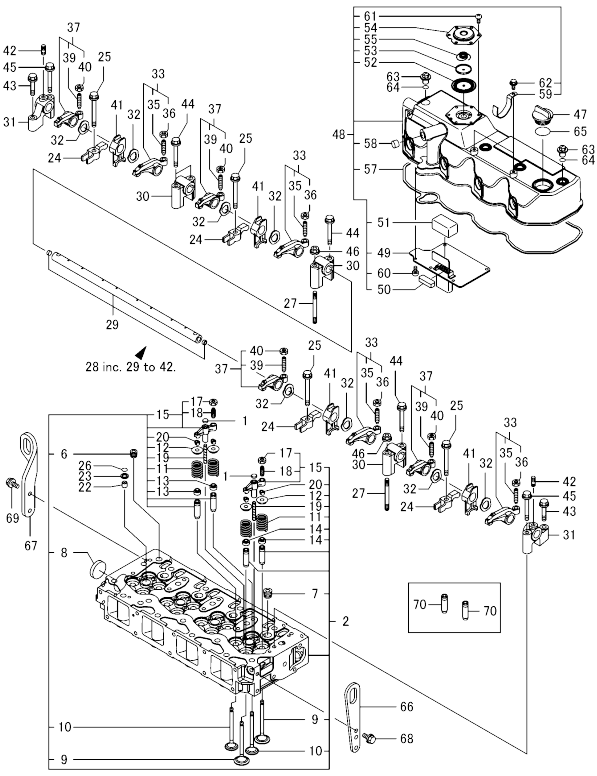
Remarks

(1)Spare parts.

Fig.4. CYLINDER HEAD & BONNET

(A)=4TNV98-ZCPTYBC
(B)=
(C)=

(D)=
(E)=
(F)=

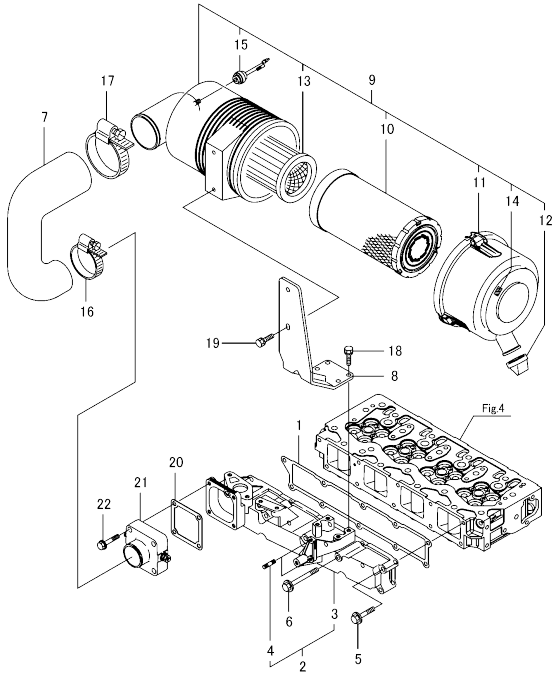


No.	Lev.	Parts No.	Description	Q'ty						I	R		
				(A)	(B)	(C)	(D)	(E)	(F)				
60	2	22857-500100	SCREW, 5X10										
61	2	22857-500100	SCREW, 5X10										
62	2	26106-060122	BOLT, M6X 12 PLATED										
63	1	124160-11360	KNOB, BONNET										
64	1	24311-000120	O-RING, 1AP12.0										
65	1	24311-000320	O-RING, 1AP32.0										
66	1	129900-07900	LIFTER, ENGINE										
67	1	129944-07900	LIFTER, ENGINE										
68	1	26106-080162	BOLT, M8X 16 PLATED										
69	1	26106-080182	BOLT, M8X 18 PLATED										
70	1	129907-11800	GUIDE, VALVE										1

Remarks

(1)Spare parts.

Fig.5. SUCTION MANIFOLD & AIR CLEANER

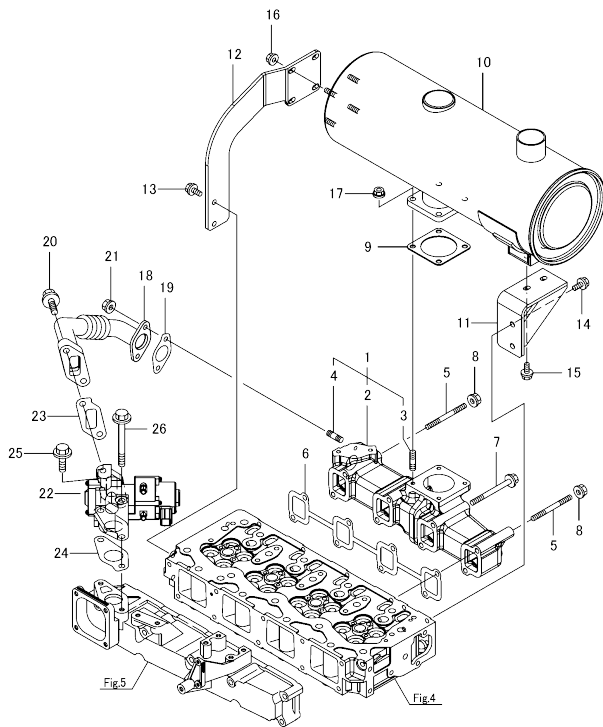


(A)=4TNV98-ZCPTYBC
(B)=
(C)=

(D)=
(E)=
(F)=

No.	Lev.	Parts No.	Description	Q'ty					
				(A)	(B)	(C)	(D)	(E)	(F)
1	1	129907-12110	GASKET, MANIFOLD	1					
2	1	129927-12150	MANIFOLD ASSY,INTAKE	1					
3	2	129927-12100	MANIFOLD, AIR INTAKE	1					
4	2	26216-060202	STUD, M6X 20	2					
5	1	26106-080452	BOLT, M8X 45 PLATED	6					
6	1	26106-080802	BOLT, M8X 80 PLATED	4					
7	1	129939-12070	HOSE, AIR INTAKE	1					
8	1	129927-12560	BRACKET, AIR CLEANER	1					
9	1	129939-12570	CLEANER ASSY, AIR	1					
10	2	129935-12520	ELEMENT, OUTER	1					
11	2	119160-12530	COVER ASSY, CLEANER	1					
12	2	119160-12540	VALVE, VACUATOR	1					
13	2	119160-12570	ELEMENT, INNER	1					
14	2	129612-12650	LABEL, MARKING	1					
15	2	119140-12680	INDICATOR, CLEANER	1					
16	1	23000-080000	CLAMP, 80	1					
17	1	23000-102000	CLAMP, 102	1					
18	1	26013-080222	BOLT, M8X 22	4					
19	1	26013-080222	BOLT, M8X 22	2					
20	1	121850-77021	GASKET, AIR HEATER	1					
21	1	129915-77051	HEATER, AIR 12V	1					
22	1	26106-080352	BOLT, M8X 35 PLATED	4					

Fig.6. EXHAUST MANIFOLD & SILENCER

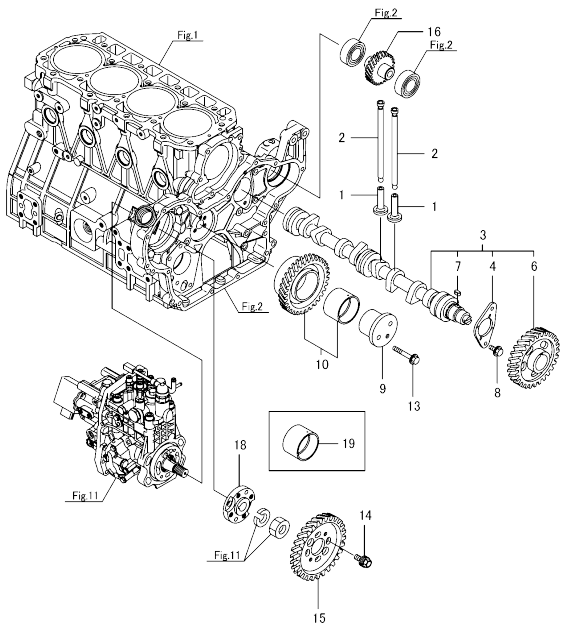


(A)=4TNV98-ZCPTYBC
(B)=
(C)=

(D)=
(E)=
(F)=

No.	Lev.	Parts No.	Description	Q'ty						I	R
				(A)	(B)	(C)	(D)	(E)	(F)		
1	1	129927-13150	MANIFOLD ASSY	1							
2	2	129927-13101	MANIFOLD, EXHAUST	1							
3	2	119131-18320	STUD, M8X22	4							
4	2	129418-18320	STUD, M8X20	2							
5	1	129263-13210	STUD, M8X90	2							
6	1	129900-13251	GASKET, MANIFOLD	1							
7	1	129E00-13650	BOLT, M8X90 10.9T	6							
8	1	26306-080002	NUT, M8	2							
9	1	129400-13201	GASKET, SILENCER	1							
10	1	129944-13510	SILENCER	1							
11	1	129938-13682	STAY, SILENCER	1							
12	1	129944-13650	STAY, SILENCER HEAD	1							
13	1	26106-080162	BOLT, M8X 16 PLATED	2							
14	1	26014-080202	BOLT, M8X 20	2							
15	1	26014-080222	BOLT, M8X 22	2							
16	1	26306-080002	NUT, M8	4							
17	1	26306-080002	NUT, M8	4							
18	1	129927-13800	PIPE ASSY, EGR	1							
19	1	129927-13810	GASKET, EGR PIPE	1							
20	1	26106-100302	BOLT, M10X 30 PLATED	2							
21	1	26306-080002	NUT, M8	2							
22	1	129928-13900	VALVE, EGR	1							
23	1	129927-13910	GASKET, EGR	1							
24	1	129927-13920	GASKET, EGR	1							
25	1	26106-100302	BOLT, M10X 30 PLATED	1							
26	1	26106-100952	BOLT, M10X 95 PLATED	1							

Fig.7. CAMSHAFT & DRIVING GEAR



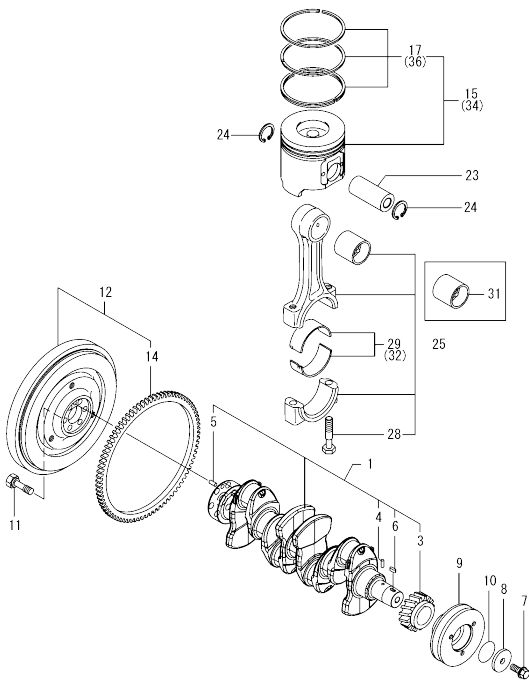
(A)=4TNV98-ZCPTYBC
(B)=
(C)=

(D)=
(E)=
(F)=

No.	Lev.	Parts No.	Description	Q'ty						I	R
				(A)	(B)	(C)	(D)	(E)	(F)		
1	1	129150-14200	TAPPET	8							
2	1	129907-14400	ROD, PUSH	8							
3	1	129932-14590	CAMSHAFT ASSY	1							
4	2	129150-02450	METAL, THRUST	1							
6	2	129900-14110	GEAR, CAMSHAFT	1							
7	2	22512-070140	KEY, 7X 14	1							
8	1	26106-080142	BOLT, M8X 14 PLATED	2							
9	1	123900-25060	SHAFT, IDLE GEAR	1							
10	1	129927-25110	GEAR ASSY, IDLE	1							
13	1	26106-080552	BOLT, M8X 55 PLATED	3							
14	1	129953-25300	BOLT, PUMP BODY	4							
15	1	129907-25900	GEAR, PUMP	1							
16	1	129900-26030	GEAR ASSY, PUMP	1							
18	1	158563-51150	FLANGE	1							
19	1	129927-25920	BUSH, IDLE GEAR	1							1

Remarks
(1)Spare parts.

Fig.8. CRANKSHAFT & PISTON



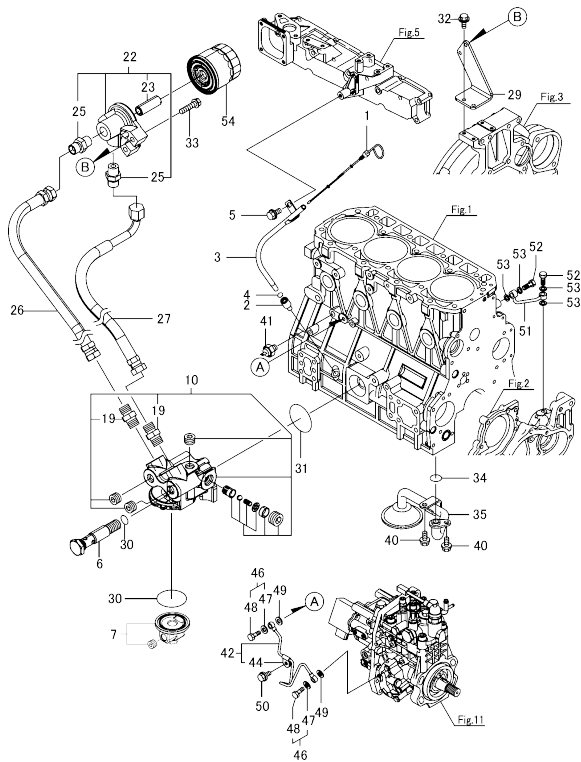
(A)=4TNV98-ZCPTYBC
(B)=
(C)=

(D)=
(E)=
(F)=

No.	Lev.	Parts No.	Description	Q'ty						I	R
				(A)	(B)	(C)	(D)	(E)	(F)		
1	1	129902-21050	CRANKSHAFT ASSY	1							
3	2	129900-21220	GEAR, CRANKSHAFT	1							
4	2	121850-21290	PIN, CRANK GEAR	1							
5	2	121850-21920	PIN, PARALLEL 10X22	1							
6	1	22512-070140	KEY, 7X 14	1							
7	1	129916-21610	BOLT, V-PULLEY	1							
8	1	129960-21940	WASHER, V-PULLEY	1							
9	1	129944-21650	V-PULLEY, CRANKSHAFT	1							
10	1	129960-21950	PACKING, WASHER	1							
11	1	121850-21130	BOLT, FLYWHEEL	6							
12	1	129953-21570	FLYWHEEL ASSY	1							
14	2	129900-21600	GEAR, RING	1							
15	1	129926-22080	PISTON ASSY	4							
17	2	129E00-22050	RING SET, PISTON	4							
23	1	120130-22301	PIN, PISTON	4							
24	1	22252-000300	RING, 30	8							
25	1	129900-23001	ROD ASSY, CONNECTING	4							
28	2	129900-23200	BOLT, CONNECTING ROD	8							
29	2	129927-23600	BEARING ASSY, PIN	4							
31	1	129900-23911	METAL, PISTON PIN	4							1
32	1	129927-23600	BEARING ASSY, PIN	4							2
34	1	129E00-22900	PISTON ASSY, 0.25 OS	4							3
36	2	129E00-22950	RING SET, PISTON .25	4							3

Remarks
(1)Spare parts.
(2)Under-sized(U.S.=0.25) parts.
(3)Over-sized(O.S.=0.25) parts.

Fig.9. LUB. OIL SYSTEM



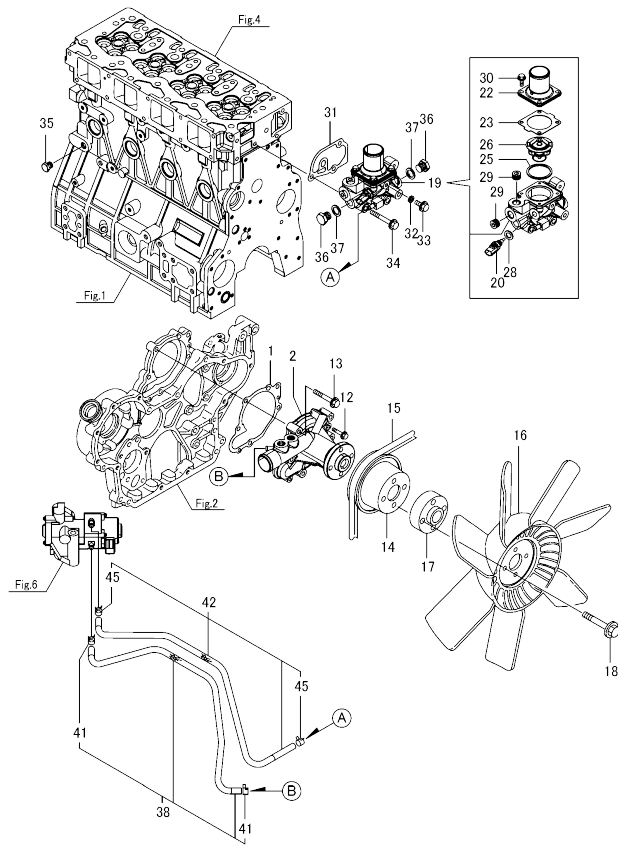
(A)=4TNV98-ZCPTYBC
(B)=
(C)=

(D)=
(E)=
(F)=

No.	Lev.	Parts No.	Description	Qty						I	R	
				(A)	(B)	(C)	(D)	(E)	(F)			
1	1	129951-34801	DIPSTICK, OIL	1								
2	1	119260-34810	GUIDE, DIPSTICK	1								
3	1	129928-34850	GUIDE, DIPSTICK	1								
4	1	24316-240100	O-RING, 4DP10A	1								
5	1	26106-080162	BOLT, M8X 16 PLATED	1								
6	1	129956-33110	BOLT	1								
7	1	129238-35111	PLUG	1								
10	1	129926-35130	BRACKET ASSY, L	1								
19	2	129953-39501	ADAPTER	2								
22	1	129E23-35140	BRACKET ASSY	1								
23	2	119000-35140	BOLT, FILTER	1								
25	2	129953-39501	ADAPTER	2								
26	1	129C22-39100	PIPE, LUB.OIL	1								
27	1	129E23-39100	PIPE, LO	1								
29	1	129926-35180	BRACKET, LO FILTER	1								
30	1	24314-000200	O-RING, 4CP20.0	1								
31	1	24321-000600	O-RING, 1AG60.0	2								
32	1	26106-080162	BOLT, M8X 16 PLATED	2								
33	1	26106-100402	BOLT, M10X 40 PLATED	2								
34	1	129900-32030	O-RING, P20	1								
35	1	129900-35000	PIPE ASSY, OIL INLET	1								
40	1	26106-080122	BOLT, M8X 12 PLATED	2								
41	1	119761-39450	SWITCH, HYDRAULIC	1								
42	1	129927-39060	PIPE ASSY, OIL	1								
44	2	123907-39500	RETAINER, PIPE	1								
46	1	129005-59830	BOLT ASSY, JOINT M8	2								
47	2	22190-080002	WASHER, SEAL 8	2								
48	2	23857-030000	BOLT, JOINT 3	2								
49	1	22190-080002	WASHER, SEAL 8	2								
50	1	26106-080122	BOLT, M8X 12 PLATED	1								
51	1	129930-39050	PIPE, HO PUMP	1								
52	1	105010-39140	BOLT, PIPE JOINT M8	2								
53	1	22190-080002	WASHER, SEAL 8	4								
54	1	119005-35151	FILTER, OIL D80X100	1								1

Remarks
(1)Spare parts.

Fig.10. COOLING WATER SYSTEM



(A)=4TNV98-ZCPTYBC
(B)=
(C)=

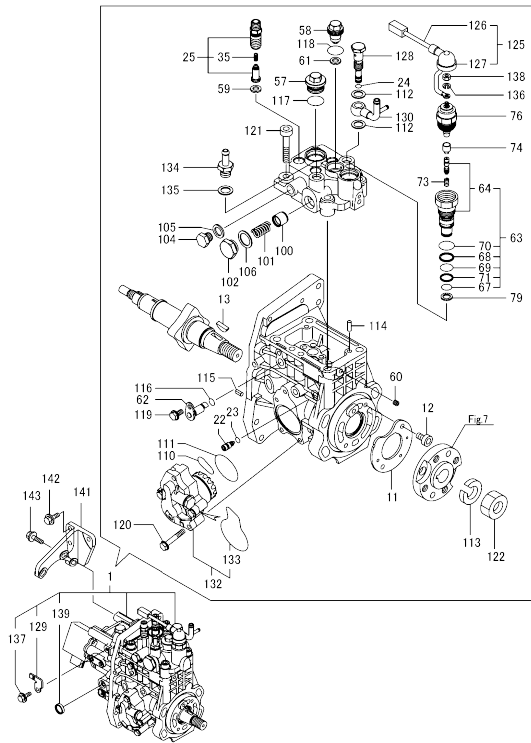
(D)=
(E)=
(F)=

No.	Lev.	Parts No.	Description	Qty						I	R
				(A)	(B)	(C)	(D)	(E)	(F)		
1	1	129900-42020	GASKET, WATER PUMP	1							
2	1	129948-42111	PUMP ASSY, CW	1							
12	1	26106-060302	BOLT, M6X 30 PLATED	2							
13	1	26106-080552	BOLT, M8X 55 PLATED	5							
14	1	123900-42471	V-PULLEY, PUMP	1							
15	1	129940-42240	V-BELT, B44	1							
16	1	123900-44740	FAN, COOLING D=500	1							
17	1	123900-44761	SPACER, FAN	1							
18	1	26106-100452	BOLT, M10X 45 PLATED	4							
19	1	129927-49800	CASE ASSY,THERMOSTAT	1							
20	2	129927-44900	SENSOR, TEMPERATURE	1							
22	2	129916-49530	COVER, THERMOSTAT	1							
23	2	121850-49540	GASKET, THERMOSTAT	1							
25	2	121850-49550	GASKET, THERMOSTAT	1							
26	2	121850-49811	THERMOSTAT, 71C	1							
28	2	22190-120002	WASHER, SEAL 12	1							
29	2	23875-030000	PLUG, R03	2							
30	2	26106-060202	BOLT, M6X 20 PLATED	4							
31	1	129900-49870	GASKET, THERMOSTAT	1							
32	1	23414-080000	GASKET, 8X1.0	1							
33	1	26106-080122	BOLT, M8X 12 PLATED	1							
34	1	26106-080602	BOLT, M8X 60 PLATED	3							
35	1	171056-49120	PLUG, DRAIN R1/4	1							
36	1	121450-42450	PLUG, M16	2							
37	1	124465-44950	GASKET, 16	2							
38	1	129927-49610	HOSE ASSY, WATER A	1							
41	2	23080-012000	CLAMP, 12	2							
42	1	129927-49620	HOSE ASSY, WATER B	1							
45	2	23080-012000	CLAMP, 12	2							

Fig.11. FUEL INJECTION PUMP

(A)=4TNV98-ZCPTYBC
(B)=
(C)=

(D)=
(E)=
(F)=



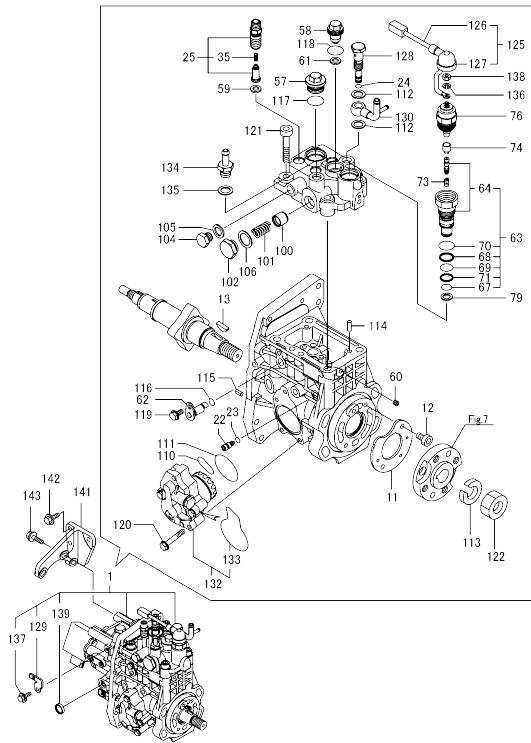
No.	Lev.	Parts No.	Description	Q'ty						I	R	
				(A)	(B)	(C)	(D)	(E)	(F)			
1	1	729918-51300	FIE ASSY	1							1	
11	2	129928-51900	COVER, OIL	1								
12	2	129008-51920	BOLT, M6X10	2								
13	2	144626-51090	KEY, FEATHER 5X19	1								
22	2	158600-51270	STOPPER, TAPPET	1								
23	2	158563-51281	O-RING, 4D S6	1								
24	2	158563-51281	O-RING, 4D S6	1								
25	2	129927-51390	VALVE ASSY, DELIVERY	4								
35	3	158563-51330	SPRING, DELIVERY	4								
57	2	158601-51550	PLUG, M22	1								
58	2	129907-51560	PLUG, M16	1								
59	2	158552-51571	GASKET, BARREL PLUG	4								
60	2	158557-51570	PLUG, RACK	1								
61	2	129906-51580	GASKET, BARREL PLUG	1								
62	2	158552-51580	LIFTER, LINK	1								
63	2	129657-51590	TIMER ASSY	1								
64	3	129657-51600	TIMER ASSY	1								
67	3	158553-51670	O-RING, PUMP TIMER	1								
68	3	119802-51680	RING, BACKUP	1								
69	3	119802-51690	O-RING, 1016	1								
70	3	24356-190200	O-RING, 4D19020	1								
71	3	24372-000150	RING, BACK UP T2P15	1								
73	2	119852-51630	SPRING, TIMER	1								
74	2	119852-51640	CAP, TIMER	1								
76	2	119852-51650	VALVE ASSY, SOLENOID	1								
79	2	158553-51680	GASKET, TIMER	1								
100	2	158601-51770	PISTON, ACCUMULATOR	1								
101	2	158552-51781	SPRING, ACCUMULATOR	1								
102	2	158601-51790	PLUG, ACCUMULATOR	1								
104	2	158553-51930	PLUG, M12	1								
105	2	22190-120002	WASHER, SEAL 12	1								
106	2	22190-180002	WASHER, SEAL 18	1								
110	2	158552-52311	O-RING, FEED PUMP	1								
111	2	158552-52400	O-RING, 4E S42	1								
112	2	22190-120002	WASHER, SEAL 12	2								
113	2	22217-180000	WASHER, SPRING 18	1								
114	2	22312-050140	PIN, PARALLEL 5X14	2								
115	2	22351-050010	PIN, SPRING 5.0X10	2								
116	2	24311-000070	O-RING, 1AP7.0	1								
117	2	24356-190200	O-RING, 4D19020	1								
118	2	24356-240210	O-RING, 4D24021	1								
119	2	26106-060102	BOLT, M6X 10 PLATED	1								
120	2	26106-060352	BOLT, M6X 35 PLATED	4								
121	2	26450-100452	BOLT, M10X 45	4								
122	2	26776-180002	NUT, LOCK M18	1								
125	2	129927-51650	HARNES ASSY, WIRE	1								
126	3	129927-51660	HARNES	1								
127	3	129263-77941	CAP, RUBBER	1								
128	2	158601-51650	JOINT, OVERFLOW	1								
129	2	129927-51670	BRACKET	1								
130	2	158552-51670	JOINT, OVERFLOW	1								

Remarks
(1)Governor(Fig.12) is incorporated in this Fuel Injection Pump(No.1).
(1)Eco pump
Make sure to update the engines ECU information when replacing the Eco pump.
Failing to do so will result in engine malfunction.

Fig.11. FUEL INJECTION PUMP

(A)=4TNV98-ZCPTYBC
(B)=
(C)=

(D)=
(E)=
(F)=



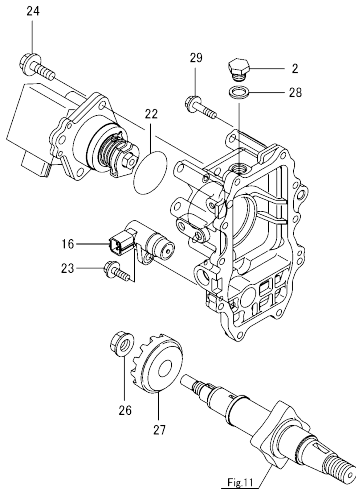
No.	Lev.	Parts No.	Description	Q'ty						I	R
				(A)	(B)	(C)	(D)	(E)	(F)		
132	2	158552-52100	PUMP ASSY, FUEL FEED	1							
133	3	158552-52500	O-RING, PUMP INNER	1							
134	2	119934-59910	JOINT, PIPE	1							
135	2	22190-120002	WASHER, SEAL 12	1							
136	2	22217-050000	WASHER, SPRING 5	1							
137	2	26106-060122	BOLT, M6X 12 PLATED	1							
138	2	26716-050002	NUT, M5	1							
139	2	27241-160000	PLUG, 16	1							
141	1	129927-51250	RETAINER, FUEL PUMP	1							
142	1	26106-080202	BOLT, M8X 20 PLATED	3							
143	1	26106-080302	BOLT, M8X 30 PLATED	3							

Remarks

- (1)Governor(Fig.12) is incorporated in this Fuel Injection Pump(No.1).
 - (1)Eco pump
- Make sure to update the engines ECU information when replacing the Eco pump.
Failing to do so will result in engine malfunction.

OCD50-M07010 ENGINE
 Fig.12. GOVERNOR

OCD50-M07010 Fig.12



(A)=4TNV98-ZCPTYBC
 (B)=
 (C)=

(D)=
 (E)=
 (F)=

No.	Lev.	Parts No.	Description	Q'ty						I	R
				(A)	(B)	(C)	(D)	(E)	(F)		
2	2	158553-51930	PLUG, M12	1							
16	2	158557-61720	SENSOR, ROTATION	1							
22	2	24341-000480	O-RING, 1AS48.0	1							
23	2	26106-060162	BOLT, M6X 16 PLATED	1							
24	2	26106-080252	BOLT, M8X 25 PLATED	3							
26	2	129008-61301	NUT, SUPPORT	1							
27	2	158553-61780	GEAR, SENSOR	1							
28	2	22190-120002	WASHER, SEAL 12	1							
29	2	26106-060252	BOLT, M6X 25 PLATED	10							

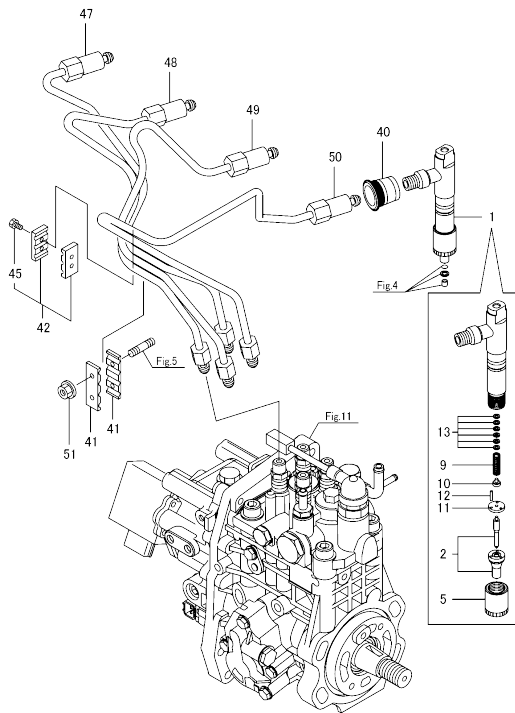
Remarks
 * This figure(Governor) is incorporated in the Fuel Injection Pump(Fig.11).

N:Old $\frac{100}{100}$ New, Q:Old $\frac{100}{100}$ New, R:Old $\frac{100}{100}$ New, S:Old $\frac{100}{100}$ New, W:Add, Z:Discontinued, F:Interchangeable by set, K:Qty Change
 Copyright (C) 2021 YANMAR GLOBAL CS CO., LTD. All Rights Reserved.

Fig.13. FUEL INJECTION VALVE

(A)=4TNV98-ZCPTYBC
(B)=
(C)=

(D)=
(E)=
(F)=

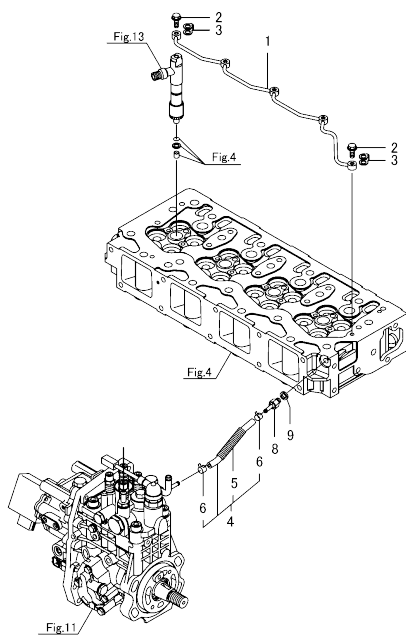


No.	Lev.	Parts No.	Description	Q'ty						I	R
				(A)	(B)	(C)	(D)	(E)	(F)		
1	1	729927-53100	VALVE ASSY,INJECTION	4							
2	2	129927-53000	VALVE ASSY,INJECTION	4							
5	2	114250-53080	NUT, NOZZLE	4							
9	2	114250-53120	SPRING, NOZZLE	4							
10	2	114250-53130	SEAT, SPRING	4							
11	2	114250-53140	SPACER, VALVE STOP	4							
12	2	114250-53210	PIN, POSITIONING	8							
13	2	119803-53400	SHIM SET	4							1
40	1	123907-11601	SEAL, PIPE	4							
41	1	123472-59120	RETAINER, PIPE	2							
42	1	129150-59120	RETAINER, PIPE	1							
45	2	129150-59131	BOLT, M4X14	2							
47	1	129927-59810	PIPE ASSY, INJECTION	1							
48	1	129927-59820	PIPE ASSY, INJECTION	1							
49	1	129927-59830	PIPE ASSY, INJECTION	1							
50	1	129927-59840	PIPE ASSY, INJECTION	1							
51	1	26366-060002	NUT, M6	2							

Remarks
(1)Spare parts.

OCD50-M07010 ENGINE
 Fig.14. FUEL PIPE

OCD50-M07010 Fig.14

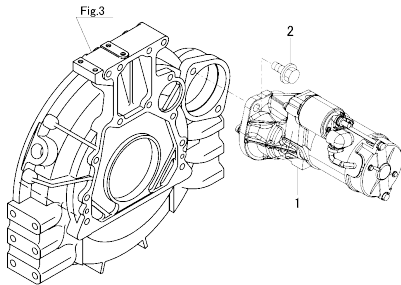


(A)=4TNV98-ZCPTYBC
 (B)=
 (C)=

(D)=
 (E)=
 (F)=

No.	Lev.	Parts No.	Description	Q'ty					
				(A)	(B)	(C)	(D)	(E)	(F)
1	1	129907-59140	PIPE ASSY, RETURN	1					
2	1	123907-59540	BOLT, PIPE JOINT M6	5					
3	1	123907-59550	GASKET, FUEL RETURN	5					
4	1	129927-59550	HOSE ASSY, RETURN	1					
5	2	129263-49750	TUBE, CORRUGATED	1					
6	2	124722-59050	CLAMP, HOSE 9	2					
8	1	123907-59560	JOINT, HOSE	1					
9	1	22190-080002	WASHER, SEAL 8	1					

Fig.15. STARTER MOTOR

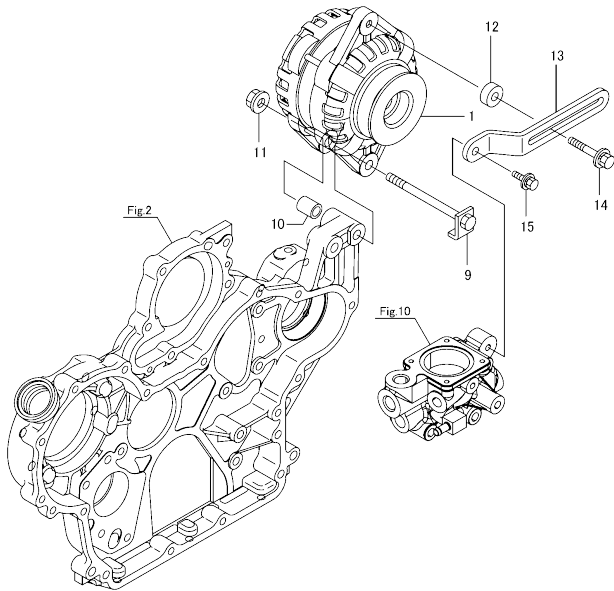


(A)=4TNV98-ZCPTYBC
(B)=
(C)=

(D)=
(E)=
(F)=

No.	Lev.	Parts No.	Description	Q'ty					
				(A)	(B)	(C)	(D)	(E)	(F)
1	1	129908-77011	STARTER,12V-3.0KW	1					
2	1	26106-120252	BOLT, M12X 25 PLATED	2					

Fig.16. GENERATOR

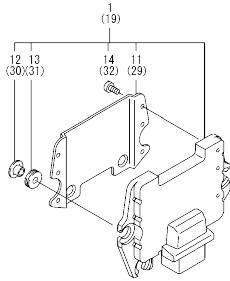


(A)=4TNV98-ZCPTYBC
(B)=
(C)=

(D)=
(E)=
(F)=

No.	Lev.	Parts No.	Description	Q'ty						I	R
				(A)	(B)	(C)	(D)	(E)	(F)		
1	1	129908-77210	ALTERNATOR	1							
9	1	129908-77220	BOLT, STOPPER M10	1							
10	1	129908-77360	PIECE, DISTANCE	1							
11	1	26306-100002	NUT, M10	1							
12	1	119940-77270	SPACER, GENERATOR	1							
13	1	129936-77300	ADJUSTER, BELT	1							
14	1	129972-77341	BOLT, ADJUSTER L=50	1							
15	1	26014-080252	BOLT, M8X 25	1							

Fig.17. ELECTRONIC CONTROL UNIT(ECU)



(A)=4TNV98-ZCPTYBC
(B)=
(C)=

(D)=
(E)=
(F)=

No.	Lev.	Parts No.	Description	Q'ty						I	R
				(A)	(B)	(C)	(D)	(E)	(F)		
1	1	129918-75000	ECU ASSY,498-ZCPTYBC	1							1
11	2	129927-77600	SHIELD, ECU	1							
12	2	129927-77680	COLLAR, CONTROLLER	3							
13	2	119578-91351	RUBBER, CONTROLLER	3							
14	2	22877-500080	SCREW, 5X 8	6							
19	1	129927-75901	ECU ASSY, SERVICE	1							2
29	2	129927-77600	SHIELD, ECU	1							
30	2	129927-77680	COLLAR, CONTROLLER	3							
31	2	119578-91351	RUBBER, CONTROLLER	3							
32	2	22877-500080	SCREW, 5X 8	6							

Remarks

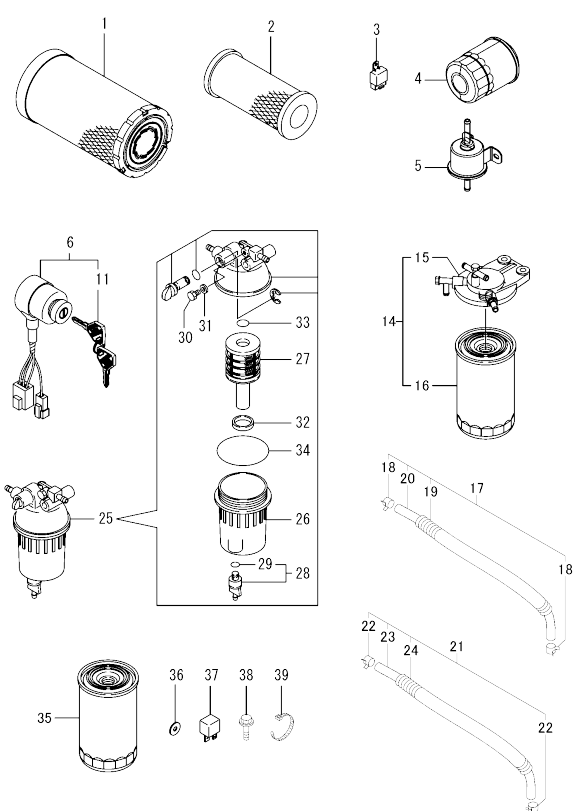
- (1)Eco ECU
- This part cannot be ordered.
- Replace the part using a Service ECU with the proper engine information installed.
- (2)Service ECU
- If the proper information is not installed, the engine will not operate.
- To install proper information, go to an authorized distributor.

Fig.18. ACCESSORY

(A)=4TNV98-ZCPTYBC
(B)=
(C)=

(D)=
(E)=
(F)=

Qty



No.	Lev.	Parts No.	Description	(A)	(B)	(C)	(D)	(E)	(F)	I	R
1	1	129935-12520	ELEMENT, OUTER	1							
2	1	119160-12570	ELEMENT, INNER	1							
3	1	172B02-17150	RELAY, CA TYPE C	3							
4	1	119005-35151	FILTER, OIL D80X100	1							
5	1	129612-52100	PUMP, FUEL FEED	1							
6	1	129902-77500	SWITCH ASSY, STARTER	1							
11	2	198360-52160	KEY ASSY, SPARE	1							
14	1	129940-55610	FILTER ASSY, FUEL	1							
15	2	129004-55612	BRACKET, FILTER	1							
16	2	129907-55801	FILTER, FUEL	1							
17	1	129457-59010	HOSE ASSY, FUEL	1							
18	2	124766-59050	CLAMP, HOSE 11.5	2							
19	2	129957-59120	TUBE, CORRUGATED 15	1							
20	2	105025-59750	HOSE, FUEL	1							
21	1	129961-59310	HOSE ASSY, FUEL	1							
22	2	124766-59050	CLAMP, HOSE 11.5	2							
23	2	129136-59110	HOSE, D13/7.5X270	1							
24	2	129961-59110	TUBE, CORRUGATED 15	1							
25	1	129245-55701	SEPARATOR ASSY, WATER	1							
26	2	129245-55720	CUP ASSY, SEPARATOR	1							
27	2	129242-55730	ELEMENT, FUEL FILTER	1							
28	2	129242-55740	PLUG, DRAIN	1							
29	3	129917-55840	O-RING, DRAIN PLUG	1							
30	2	129242-55750	VALVE, AIR VENT	1							
31	2	129242-55760	GASKET, PLUG	1							
32	2	129242-55770	FLOAT	1							
33	2	24311-000160	O-RING, 1AP16.0	1							
34	2	24321-000750	O-RING, 1AG75.0	1							
35	1	129907-55801	FILTER, FUEL	1							
36	1	129927-77690	WASHER, ECU	3							
37	1	129927-77920	RELAY, ISO 70A	2							
38	1	26106-080302	BOLT, M8X 30 PLATED	2							
39	1	121750-59890	BAND, NYLON	1							

Parts No. Index

Parts No.	Fig. No.	Ref. No.
105010-39140	9	52
105025-59750	18	20
114250-53080	13	5
114250-53120	13	9
114250-53130	13	10
114250-53140	13	11
114250-53210	13	12
119000-35140	9	23
119005-35151	9	54
	18	4
119131-18320	6	3
119140-12680	5	15
119160-12530	5	11
119160-12540	5	12
119160-12570	5	13
	18	2
119260-34810	9	2
119578-91351	17	13
		31
119593-11301	4	27
119620-01750	3	4
119620-11180	4	12
119625-11880	4	23
119640-01640	3	9
119640-61400	4	58
119761-39450	9	41
119802-11870	4	22
119802-51680	11	68
119802-51690	11	69
119803-11340	4	13
119803-53400	13	13
119852-51630	11	73
119852-51640	11	74
119852-51650	11	76
119934-59910	11	134
119940-77270	16	12
120130-22301	8	23
121023-26071	2	37
121450-42450	10	36
121750-59890	18	39
121850-21130	8	11
121850-21290	8	4
121850-21920	8	5
121850-49540	10	23
121850-49550	10	25
121850-49811	10	26
121850-77021	5	20
123472-59120	13	41
123900-25060	7	9
123900-42471	10	14

Parts No.	Fig. No.	Ref. No.
123900-44740	10	16
123900-44761	10	17
123907-03100	4	52
123907-03110	4	53
123907-03140	4	55
123907-11280	4	32
123907-11550	4	1
123907-11601	13	40
123907-11820	4	19
123907-11830	4	18
123907-39500	9	44
123907-59540	14	2
123907-59550	14	3
123907-59560	14	8
124160-01751	2	31
	4	47
124160-11340	4	14
124160-11360	4	63
124465-44950	10	37
124722-59050	14	6
124766-59050	18	18
		22
129004-55612	18	15
129005-59830	9	46
129008-51920	11	12
129008-61301	12	26
129100-01580	2	1
	3	1
129136-59110	18	23
129150-02450	7	4
129150-11230	4	35
		39
129150-11750	4	17
		36
		40
129150-14200	7	1
129150-59120	13	42
129150-59131	13	45
129238-35111	9	7
129242-55730	18	27
129242-55740	18	28
129242-55750	18	30
129242-55760	18	31
129242-55770	18	32
129245-55701	18	25
129245-55720	18	26
129263-13210	6	5
129263-49750	14	5
129263-77941	11	127
129400-13201	6	9

Parts No.	Fig. No.	Ref. No.
129418-18320	6	4
129457-59010	18	17
129612-12650	5	14
129612-52100	18	5
129657-51590	11	63
129657-51600	11	64
129900-01200	1	27
129900-01250	1	4
129900-01620	3	2
129900-01850	2	43
129900-01870	2	44
129900-02020	1	6
129900-02410	1	9
129900-07900	4	66
129900-13251	6	6
129900-14110	7	6
129900-14140	2	48
129900-21220	8	3
129900-21600	8	14
129900-23001	8	25
129900-23200	8	28
129900-23911	8	31
129900-26030	7	16
129900-26250	2	49
129900-32001	2	10
129900-32030	2	22
	9	34
129900-32040	2	23
129900-35000	9	35
129900-42020	10	1
129900-49870	10	31
129902-01710	3	8
129902-21050	8	1
129902-77500	18	6
129906-51580	11	61
129907-01331	1	28
129907-03011	4	49
129907-03061	4	50
129907-03070	4	51
129907-11100	4	9
129907-11110	4	10
129907-11120	4	11
129907-11250	4	29
129907-11260	4	30
129907-11270	4	31
129907-11341	4	28
129907-11510	4	15
129907-11650	4	33
129907-11660	4	37
129907-11800	4	70

Parts No.	Fig. No.	Ref. No.
129907-11920	4	41
129907-11950	4	25
129907-11960	4	24
129907-12110	5	1
129907-14400	7	2
129907-25900	7	15
129907-51560	11	58
129907-55801	18	16
		35
129907-59140	14	1
129908-77011	15	1
129908-77210	16	1
129908-77220	16	9
129908-77360	16	10
129915-77051	5	21
129916-01790	3	7
129916-01800	2	42
129916-21610	8	7
129916-49530	10	22
129917-55840	18	29
129918-75000	17	1
129922-03120	4	54
129922-11320	4	48
129926-22080	8	15
129926-35130	9	10
129926-35180	9	29
129927-02340	1	32
129927-02930	1	24
129927-02940	1	35
129927-11700	4	2
129927-12100	5	3
129927-12150	5	2
129927-12560	5	8
129927-13101	6	2
129927-13150	6	1
129927-13800	6	18
129927-13810	6	19
129927-13910	6	23
129927-13920	6	24
129927-23600	8	29
		32
129927-25110	7	10
129927-25920	7	19
129927-39060	9	42
129927-42140	2	24
129927-44900	10	20
129927-49610	10	38
129927-49620	10	42
129927-49800	10	19
129927-51250	11	141

Parts No. Index

Parts No.	Fig. No.	Ref. No.
129927-51390	11	25
129927-51650	11	125
129927-51660	11	126
129927-51670	11	129
129927-53000	13	2
129927-59550	14	4
129927-59810	13	47
129927-59820	13	48
129927-59830	13	49
129927-59840	13	50
129927-75901	17	19
129927-77600	17	11
		29
129927-77680	17	12
		30
129927-77690	18	36
129927-77920	18	37
129928-13900	6	22
129928-34850	9	3
129928-51900	11	11
129930-39050	9	51
129932-14590	7	3
129933-11310	4	57
129935-12520	5	10
	18	1
129936-77300	16	13
129938-13682	6	11
129939-12070	5	7
129939-12570	5	9
129940-42240	10	15
129940-55610	18	14
129944-07900	4	67
129944-13510	6	10
129944-13650	6	12
129944-21650	8	9
129948-42111	10	2
129951-01740	2	33
129951-34801	9	1
129953-21570	8	12
129953-25300	7	14
129953-39501	9	19
		25
129956-33110	9	6
129957-59120	18	19
129960-21940	8	8
129960-21950	8	10
129961-59110	18	24
129961-59310	18	21
129962-01500	2	3
129972-77341	16	14

Parts No.	Fig. No.	Ref. No.
129C22-39100	9	26
129E00-13650	6	7
129E00-22050	8	17
129E00-22900	8	34
129E00-22950	8	36
129E23-35140	9	22
129E23-39100	9	27
144626-51090	11	13
158552-51571	11	59
158552-51580	11	62
158552-51670	11	130
158552-51781	11	101
158552-52100	11	132
158552-52311	11	110
158552-52400	11	111
158552-52500	11	133
158553-51670	11	67
158553-51680	11	79
158553-51930	11	104
	12	2
	12	27
158557-51570	11	60
158557-61720	12	16
158563-51150	7	18
158563-51281	11	23
		24
158563-51330	11	35
158600-51270	11	22
158601-51550	11	57
158601-51650	11	128
158601-51770	11	100
158601-51790	11	102
171051-01921	1	5
171056-49120	10	35
172B02-17150	18	3
175339-79700	4	59
198360-52160	18	11
22190-080002	9	47
		49
		53
	14	9
22190-120002	10	28
	11	105
		112
		135
	12	28
22190-180002	11	106
22190-220002	3	12
22217-050000	11	136
22217-180000	11	113

Parts No.	Fig. No.	Ref. No.
22252-000300	8	24
22312-050140	11	114
22351-050010	11	115
22351-060012	1	11
22512-070140	7	7
	8	6
22857-500100	4	60
		61
22877-500080	17	14
		32
23000-080000	5	16
23000-102000	5	17
23080-012000	10	41
		45
23414-080000	10	32
23857-030000	9	48
23875-030000	10	29
23876-020000	4	6
23876-030000	1	12
		13
		14
	4	7
24311-000070	2	25
	11	116
24311-000120	4	26
		64
24311-000160	18	33
24311-000320	2	32
	4	65
24314-000200	9	30
24316-240100	9	4
24321-000600	9	31
24321-000750	18	34
24321-000850	2	38
24341-000480	12	22
24351-030750	2	26
24356-190200	11	70
		117
24356-240210	11	118
24372-000150	11	71
26013-080222	5	18
		19
26014-080202	6	14
26014-080222	6	15
26014-080252	16	15
26106-060102	11	119
26106-060122	4	62
	11	137
26106-060162	12	23
26106-060202	10	30

Parts No.	Fig. No.	Ref. No.
26106-060252	12	29
26106-060302	10	12
26106-060352	11	120
26106-080122	3	13
	9	40
		50
	10	33
26106-080142	7	8
26106-080162	2	27
		45
	4	68
	6	13
	9	5
		32
26106-080182	4	69
26106-080202	2	28
		34
	11	142
26106-080252	12	24
26106-080302	11	143
	18	38
26106-080352	5	22
26106-080402	2	46
	4	43
26106-080452	2	29
		35
	5	5
26106-080552	7	13
	10	13
26106-080602	4	44
		45
	10	34
26106-080702	2	47
26106-080752	2	36
26106-080802	5	6
26106-100202	2	39
26106-100302	6	20
		25
26106-100402	9	33
26106-100452	10	18
26106-100952	6	26
26106-120252	15	2
26206-100352	3	5
26206-100702	3	6
26216-060202	5	4
26216-100302	2	21
26226-080222	4	42
26306-080002	4	46
	6	8
		16

Parts No. Index

Parts No.	Fig. No.	Ref. No.
26306-080002	6	17
		21
26306-100002	2	30
	16	11
26366-060002	13	51
26450-100452	11	121
26716-050002	11	138
26776-180002	11	122
27241-160000	11	139
27241-300000	1	10
27241-400000	4	8
27310-070001	4	20
729907-01559	2	40
729918-51300	11	1
729927-01560	1	1
729927-02800	1	29
729927-53100	13	1

Parts No.	Fig. No.	Ref. No.
-----------	----------	----------

Parts No.	Fig. No.	Ref. No.
-----------	----------	----------

Parts No.	Fig. No.	Ref. No.
-----------	----------	----------