

0CD10-M99300EN

PREFACE

1. This parts catalog is the 1st edition of 4TNV98-ZQTBZ for Takeuchi Mfg. Co., Ltd.

Pub.No. : 000Y00D9930

Published : December,2007

2. Model name

| Engine model | Vehicle | | Vehicle made by |
|--------------|-----------|------------|-------------------------|
| | Products | Model name | |
| 4TNV98-ZQTBZ | Excavator | TB180FR | Takeuchi Mfg. Co., Ltd. |

Directions for the Parts Catalog.

1. The parts stipulated in this Parts Catalog are not necessarily standard equipped parts.
2. Parts may change without prior notice.
3. The following is an example of the Parts Catalog format.

| REF. | LEV. | PARTS NO. | DESCRIPTION | Q'TY | | | | | | I | R |
|------|------|--|---------------------|------|-----|-----|-----|-----|-----|---|---|
| | | | | (A) | (B) | (C) | (D) | (E) | (F) | | |
| 1 | 1 | 729595-51390 | FUEL INJECTION PUMP | 1 | 1 | 1 | 1 | 1 | | | 1 |
| 1-1 | 1 | 729595-51391 | FUEL INJECTION PUMP | 1 | 1 | 1 | 1 | 1 | | N | 1 |
| | | (A=E00185) (B=E00200) | | | | | | | | | |
| 3 | 2 | 26022-060162 | SCREW M 6X 16 | 9 | 9 | 9 | 9 | 9 | | | |
| 3-1 | 2 | 26022-060162 | SCREW M 6X 16 | 4 | 4 | 4 | 4 | 4 | | K | |
| | | (A=E00156) (B=E00156) (C=E00156) (D=E00156) (E=E00156) | | | | | | | | | |
| 4 | 2 | 129470-51040 | CAMSHAFT | 1 | 1 | 1 | 1 | 1 | | | |
| 5 | 2 | 122710-51050 | BEARING, ROLLER | 2 | 2 | 2 | 2 | 2 | | | |
| 6 | 2 | 129470-51060 | RETAINER | 1 | 1 | 1 | 1 | 1 | | | |

| |
|---|
| Remarks |
| (1) BOOST COMPEMSATOR TYPE. OPTIONAL PART, TO E00155,(4JH-DT, 4JH-DTZ |

① Ref. No.

The Ref. No. listed may not be in accordance with the illustration Ref. No.

(Ex.) Illustration No.

List Ref No.

1 1 (Before change) → 1-1 (After change)

For interchangeable symbols N, R and K, illustrations for new parts may be abbreviated.

② Lev. (Level)

Level indication

The numbers below indicate the level of relativity towards the main part.

1 ---- Main parts (Assembly parts)

2 ---- Sub component included in " 1 ".

3 ---- Sub component included in " 2 ".

Note) Parts that are not for sale are partially illustrated but not listed.

③ Interchangeability Mark

When a part change takes place, one of the following interchangeability symbols is indicated beside the part.

| Symbol | Interchangeability | Contents note |
|--------|---|--|
| N | Old $\begin{matrix} \leftarrow \text{Yes} \\ \text{No} \rightarrow \end{matrix}$ New | New Part is interchangeable for Old Part but Old Part is not interchangeable for New Part. |
| Q | Old $\begin{matrix} \leftarrow \text{No} \\ \text{Yes} \rightarrow \end{matrix}$ New | New Part is not interchangeable for Old Part but Old Part is interchangeable for New Part. |
| R | Old $\begin{matrix} \leftarrow \text{Yes} \\ \text{Yes} \rightarrow \end{matrix}$ New | New/ Old Parts are both interchangeable. |
| S | Old $\begin{matrix} \leftarrow \text{No} \\ \text{No} \rightarrow \end{matrix}$ New | New/ Old Parts are both not interchangeable. |
| W | | Part newly added. |
| Z | | Part discontinued. |
| F | | Not interchangeable by a single part but interchangeable together with related parts. |
| K | | Changes only for used parts quantities. |

④ Effective Machine No.

When a part changes, the effective Machine No. will be indicated in the (A)-(F) column.

| Product Symbol | Product No. | Product Symbol | Product No. |
|----------------|---------------------------|----------------|-----------------------------------|
| C | Clutch No. Compressor No. | F | Machine No. (Agricultural Equip.) |
| D | Drive No. | M | Machine No. |
| E | Engine No. | | |

Note 1) A date may follow the symbol. (Ex.) 1996.01

Note 2) "XXXXX" and "ZZZZZ" are for parts that could not be predicted or for engine models that could not be identified.

Note 3) (A=E00185) is the E (Engine Serial Number) for the column (A) model (in this case 4JH-DT) after the parts design change.

⑤ Remarks Mark

Figures or alphabets (symbols) are entered in the remarks column.

The comments (remarks) on parts that are indicated at the bottom of the illustration are the same symbols as those stated above.

Contents

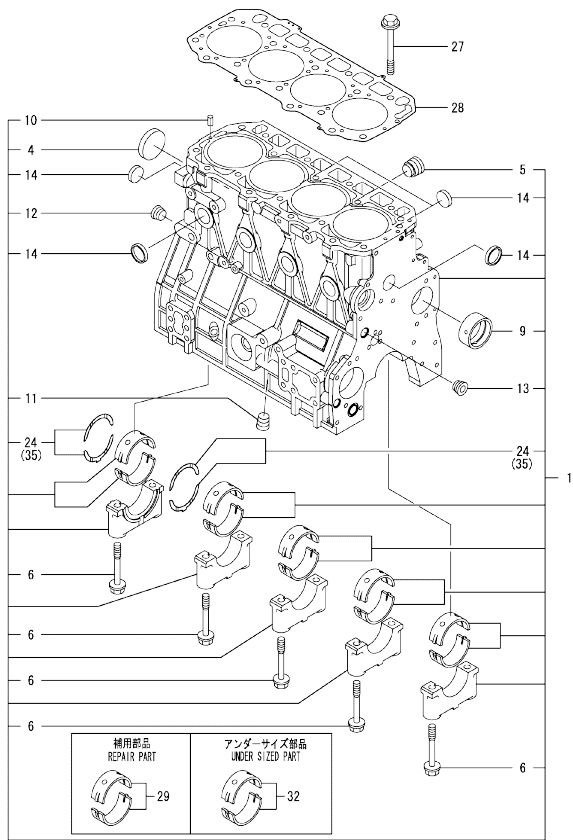
0CD10-M99300

| Fig. No. | Fig. Name | Fig. No. | Fig. Name |
|--------------|--------------------------------|----------|-----------|
| 4TNV98-ZQTBZ | | | |
| 1. | CYLINDER BLOCK | | |
| 2. | GEAR HOUSING | | |
| 3. | FLYWHEEL HOUSING & OIL SUMP | | |
| 4. | CYLINDER HEAD & BONNET | | |
| 5. | SUCTION MANIFOLD & AIR CLEANER | | |
| 6. | EXHAUST MANIFOLD & SILENCER | | |
| 7. | CAMSHAFT & DRIVING GEAR | | |
| 8. | CRANKSHAFT & PISTON | | |
| 9. | LUB.OIL SYSTEM | | |
| 10. | COOLING WATER SYSTEM | | |
| 11. | FUEL INJECTION PUMP | | |
| 12. | GOVERNOR | | |
| 13. | FUEL INJECTION VALVE | | |
| 14. | FUEL LINE | | |
| 15. | STARTING MOTOR | | |
| 16. | GENERATOR | | |
| 17. | ELECTRONIC CONTROL UNIT (ECU) | | |
| 18. | GASKET SET | | |
| 19. | LOOSE PART | | |

Fig.1. CYLINDER BLOCK

(A)=4TNV98-ZQTBZ
(B)=
(C)=

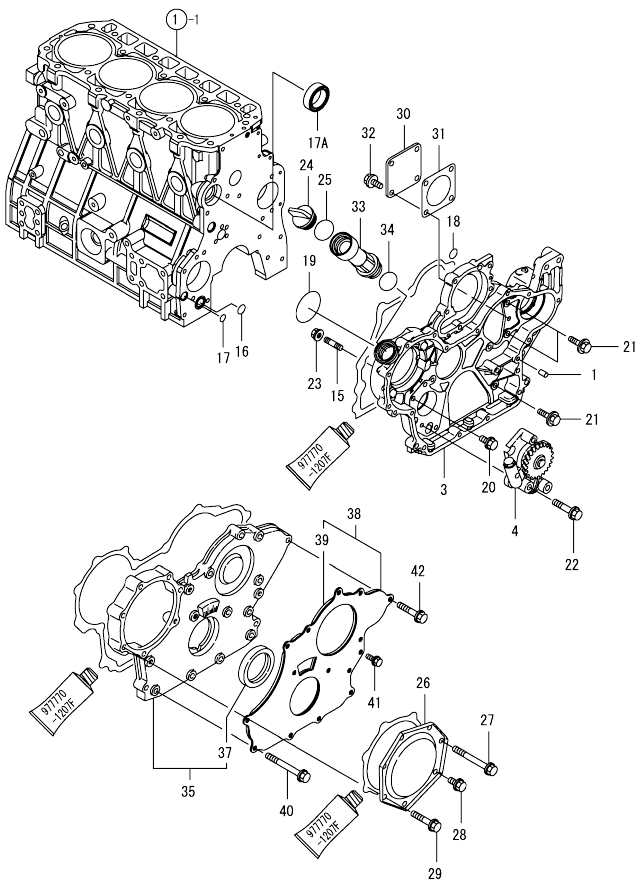
(D)=
(E)=
(F)=



| No. | Lev. | Parts No. | Description | Q'ty | | | | | | I | R |
|-----|------|--------------|----------------------|------|-----|-----|-----|-----|-----|---|---|
| | | | | (A) | (B) | (C) | (D) | (E) | (F) | | |
| 1 | 1 | 729927-01560 | BLOCK ASSY, CYLINDER | 1 | | | | | | | |
| 4 | 2 | 129900-01250 | PLUG, DISH TYPE 55 | 1 | | | | | | | |
| 5 | 2 | 171051-01921 | PLUG, NPTF1 | 1 | | | | | | | |
| 6 | 2 | 129900-02020 | BOLT, METAL CAP | 10 | | | | | | | |
| 9 | 2 | 129900-02410 | BUSH, CAMSHAFT | 1 | | | | | | | |
| 10 | 2 | 22351-060012 | PIN, SPRING 6.0X12 | 2 | | | | | | | |
| 11 | 2 | 23876-030000 | PLUG, R03 | 1 | | | | | | | |
| 12 | 2 | 23876-030000 | PLUG, R03 | 1 | | | | | | | |
| 13 | 2 | 23876-030000 | PLUG, R03 | 1 | | | | | | | |
| 14 | 2 | 27241-300000 | PLUG 30 | 8 | | | | | | | |
| 24 | 2 | 129900-02931 | BEARING ASSY, THRUST | 2 | | | | | | | |
| 27 | 1 | 129900-01200 | BOLT, CYLINDER HEAD | 18 | | | | | | | |
| 28 | 1 | 129907-01331 | GASKET, HEAD | 1 | | | | | | | |
| 29 | 1 | 729900-02801 | BEARING, MAIN | 5 | | | | | | | 1 |
| 32 | 1 | 129900-02341 | BEARING ASSY, MAIN | 5 | | | | | | | 2 |
| 35 | 1 | 129900-02941 | BEARING, THRUST 0.25 | 2 | | | | | | | 3 |

Remarks
(1) REPAIR PART.
(2) UNDER-SIZED(U.S=0.25)PART.
(3) OVER-SIZED(O.S=0.25)PART.

Fig.2. GEAR HOUSING

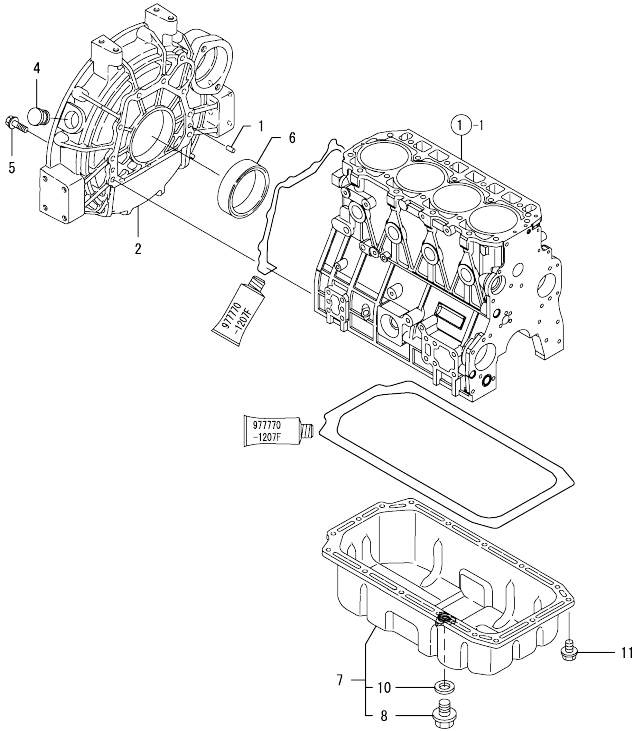


(A)=4TNV98-ZQTBZ
(B)=
(C)=

(D)=
(E)=
(F)=

| No. | Lev. | Parts No. | Description | Qty | | | | | | I | R |
|------------|------|--------------|----------------------|-----|-----|-----|-----|-----|-----|---|---|
| | | | | (A) | (B) | (C) | (D) | (E) | (F) | | |
| 1 | 1 | 129100-01580 | PIN, PARALLEL 8X16 | 4 | | | | | | | |
| 3 | 1 | 129938-01510 | CASE, GEAR | 1 | | | | | | | |
| 4 | 1 | 129900-32001 | PUMP ASSY, OIL | 1 | | | | | | | |
| 15 | 1 | 26216-100302 | STUD, M10X 30 | 4 | | | | | | | |
| 16 | 1 | 129900-32030 | O-RING, P20 | 1 | | | | | | | |
| 17 | 1 | 129900-32040 | O-RING, P14 | 1 | | | | | | | |
| 17A | 1 | 129927-42140 | GASKET, PUMP OUTLET | 1 | | | | | | | W |
| (A=EW7873) | | | | | | | | | | | |
| 18 | 1 | 24311-000070 | O-RING, 1AP7.0 | 1 | | | | | | | |
| 19 | 1 | 24351-030750 | O-RING, 1A3075 | 1 | | | | | | | |
| 20 | 1 | 26106-080162 | BOLT, M8X 16 PLATED | 1 | | | | | | | |
| 21 | 1 | 26106-080202 | BOLT, M8X 20 PLATED | 3 | | | | | | | |
| 22 | 1 | 26106-080452 | BOLT, M8X 45 PLATED | 3 | | | | | | | |
| 23 | 1 | 26306-100002 | NUT, M10 | 4 | | | | | | | |
| 24 | 1 | 124160-01751 | CAP, FILLER | 1 | | | | | | | |
| 25 | 1 | 24311-000320 | O-RING, 1AP32.0 | 1 | | | | | | | |
| 26 | 1 | 129900-01740 | COVER | 1 | | | | | | | |
| 27 | 1 | 129001-91810 | BOLT, M8X70 | 1 | | | | | | | |
| 28 | 1 | 26106-080162 | BOLT, M8X 16 PLATED | 1 | | | | | | | |
| 29 | 1 | 26106-080402 | BOLT, M8X 40 PLATED | 5 | | | | | | | |
| 30 | 1 | 124240-01871 | COVER, PUMP | 1 | | | | | | | |
| 31 | 1 | 124240-01883 | GASKET | 1 | | | | | | | |
| 32 | 1 | 26106-080162 | BOLT, M8X 16 PLATED | 4 | | | | | | | |
| 33 | 1 | 121027-11743 | PIPE | 1 | | | | | | | |
| 34 | 1 | 24311-000320 | O-RING, 1AP32.0 | 1 | | | | | | | |
| 35 | 1 | 729907-01559 | COVER ASSY,GEAR CASE | 1 | | | | | | | |
| 37 | 2 | 129916-01800 | SEAL, OIL | 1 | | | | | | | |
| 38 | 1 | 129900-01850 | COVER ASSY,GEAR CASE | 1 | | | | | | | |
| 39 | 2 | 129900-01870 | SPONGE, GEAR CASE | 1 | | | | | | | |
| 40 | 1 | 129001-91810 | BOLT, M8X70 | 6 | | | | | | | |
| 41 | 1 | 26106-080162 | BOLT, M8X 16 PLATED | 3 | | | | | | | |
| 42 | 1 | 26106-080402 | BOLT, M8X 40 PLATED | 5 | | | | | | | |

Fig.3. FLYWHEEL HOUSING & OIL SUMP

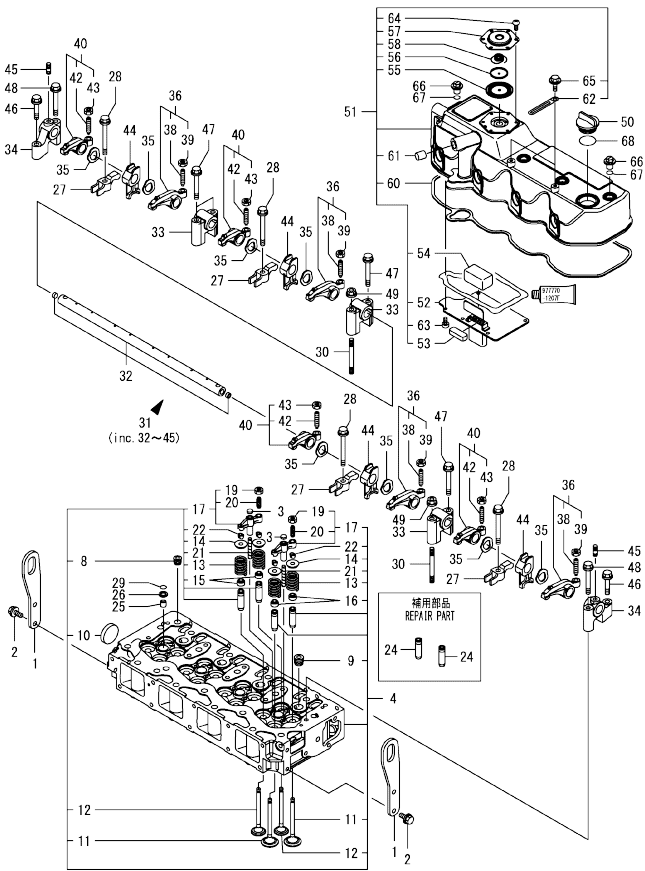


(A)=4TNV98-ZQTBZ
(B)=
(C)=

(D)=
(E)=
(F)=

| No. | Lev. | Parts No. | Description | Q'ty | | | | | | I | R |
|-----|------|--------------|----------------------|------|-----|-----|-----|-----|-----|---|---|
| | | | | (A) | (B) | (C) | (D) | (E) | (F) | | |
| 1 | 1 | 129100-01580 | PIN, PARALLEL 8X16 | 2 | | | | | | | |
| 2 | 1 | 129951-01620 | HOUSING, FLYWHEEL | 1 | | | | | | | |
| 4 | 1 | 119000-01840 | PLUG, RUBBER | 1 | | | | | | | |
| 5 | 1 | 26206-100352 | BOLT, M10X 35 PLATED | 9 | | | | | | | |
| 6 | 1 | 129916-01790 | SEAL, D115/95XT11 | 1 | | | | | | | |
| 7 | 1 | 129953-01710 | OIL PAN ASSY | 1 | | | | | | | |
| 8 | 2 | 119640-01640 | PLUG, DRAIN M22 | 1 | | | | | | | |
| 10 | 2 | 22190-220002 | WASHER, SEAL 22 | 1 | | | | | | | |
| 11 | 1 | 26106-080122 | BOLT, M8X 12 PLATED | 16 | | | | | | | |

Fig.4. CYLINDER HEAD & BONNET



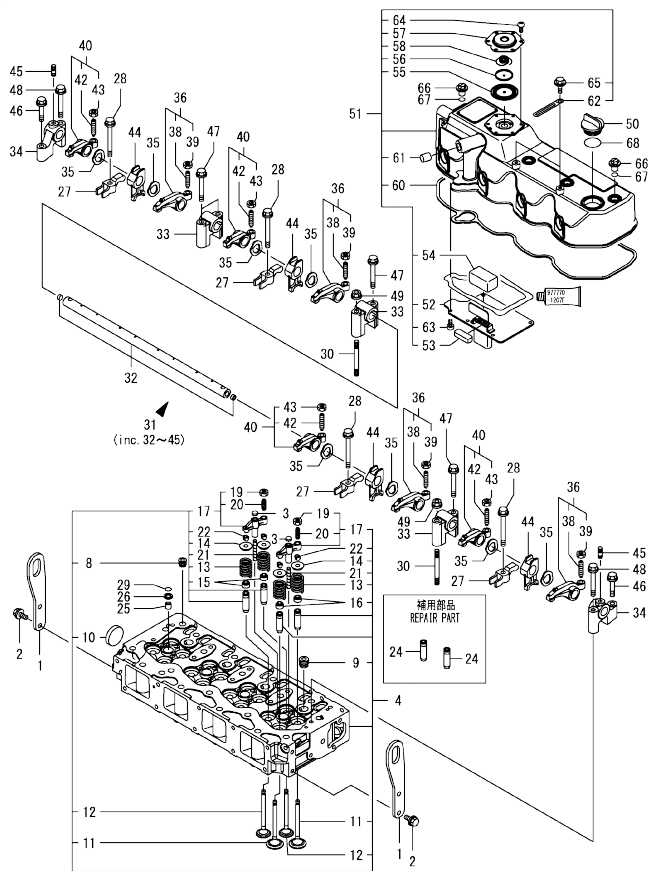
(A)=4TNV98-ZQTBZ
(B)=
(C)=

(D)=
(E)=
(F)=

| No. | Lev. | Parts No. | Description | Q'ty | | | | | | I | R |
|-----|------|--------------|---------------------|------|-----|-----|-----|-----|-----|---|---|
| | | | | (A) | (B) | (C) | (D) | (E) | (F) | | |
| 1 | 1 | 129907-07900 | LIFTER, ENGINE | 2 | | | | | | | |
| 2 | 1 | 26106-080162 | BOLT, M8X 16 PLATED | 4 | | | | | | | |
| 3 | 1 | 123907-11550 | SEAT, VALVE BRIDGE | 8 | | | | | | | |
| 4 | 1 | 129927-11700 | HEAD ASSY, CYLINDER | 1 | | | | | | | |
| 8 | 2 | 23876-020000 | PLUG, R02 | 1 | | | | | | | |
| 9 | 2 | 23876-030000 | PLUG, R03 | 4 | | | | | | | |
| 10 | 2 | 27241-400000 | PLUG, 40 | 1 | | | | | | | |
| 11 | 2 | 129907-11100 | VALVE, SUCTION | 8 | | | | | | | |
| 12 | 2 | 129907-11110 | VALVE, EXHAUST | 8 | | | | | | | |
| 13 | 2 | 129907-11120 | SPRING, VALVE | 16 | | | | | | | |
| 14 | 2 | 119620-11180 | RETAINER, SPRING | 16 | | | | | | | |
| 15 | 2 | 119803-11340 | SEAL, VALVE STEM | 8 | | | | | | | |
| 16 | 2 | 124160-11340 | SEAL, VALVE STEM | 8 | | | | | | | |
| 17 | 2 | 129907-11510 | BRIDGE ASSY, VALVE | 8 | | | | | | | |
| 19 | 3 | 129150-11750 | NUT, M8 | 8 | | | | | | | |
| 20 | 3 | 123907-11830 | ADJUSTER | 8 | | | | | | | |
| 21 | 2 | 123907-11820 | GUIDE, BRIDGE | 8 | | | | | | | |
| 22 | 2 | 27310-070001 | COTTER, 7 | 16 | | | | | | | |
| 24 | 1 | 129907-11800 | GUIDE, VALVE | 16 | | | | | | | 1 |
| 25 | 1 | 119802-11870 | PROTECTOR, NOZZLE | 4 | | | | | | | |
| 26 | 1 | 119625-11880 | SEAT, NOZZLE | 4 | | | | | | | |
| 27 | 1 | 129907-11910 | RETAINER, NOZZLE | 4 | | | | | | | |
| 28 | 1 | 129907-11950 | BOLT, M8X75 | 4 | | | | | | | |
| 29 | 1 | 24311-000120 | O-RING, 1AP12.0 | 4 | | | | | | | |
| 30 | 1 | 119593-11301 | BOLT, STUD M8X80 | 2 | | | | | | | |
| 31 | 1 | 129907-11341 | SHAFT ASSY, ROCKER | 1 | | | | | | | |
| 32 | 2 | 129907-11250 | SHAFT, ROCKER ARM | 1 | | | | | | | |
| 33 | 2 | 129907-11260 | SUPPORT, ROCKER ARM | 3 | | | | | | | |
| 34 | 2 | 129907-11270 | SUPPORT, ROCKER ARM | 2 | | | | | | | |
| 35 | 2 | 123907-11280 | WASHER | 8 | | | | | | | |
| 36 | 2 | 129907-11650 | ARM ASSY, ROCKER | 4 | | | | | | | |
| 38 | 3 | 129150-11230 | SCREW, VALVE ADJUST | 4 | | | | | | | |
| 39 | 3 | 129150-11750 | NUT, M8 | 4 | | | | | | | |
| 40 | 2 | 129907-11660 | ARM ASSY, ROCKER | 4 | | | | | | | |
| 42 | 3 | 129150-11230 | SCREW, VALVE ADJUST | 4 | | | | | | | |
| 43 | 3 | 129150-11750 | NUT, M8 | 4 | | | | | | | |
| 44 | 2 | 129907-11920 | RETAINER, NOZZLE | 4 | | | | | | | |
| 45 | 2 | 26226-080222 | STUD, M8X 22 | 2 | | | | | | | |
| 46 | 1 | 26106-080402 | BOLT, M8X 40 PLATED | 2 | | | | | | | |
| 47 | 1 | 26106-080602 | BOLT, M8X 60 PLATED | 4 | | | | | | | |
| 48 | 1 | 26106-080602 | BOLT, M8X 60 PLATED | 2 | | | | | | | |
| 49 | 1 | 26306-080002 | NUT, M8 | 2 | | | | | | | |
| 50 | 1 | 124160-01751 | CAP, FILLER | 1 | | | | | | | |
| 51 | 1 | 129927-11320 | BONNET ASSY, HEAD | 1 | | | | | | | |
| 52 | 2 | 129907-03011 | PLATE, BAFFLE | 1 | | | | | | | |
| 53 | 2 | 129907-03061 | BAFFLE, BREATHER | 1 | | | | | | | |
| 54 | 2 | 129907-03070 | BAFFLE, BREATHER | 1 | | | | | | | |
| 55 | 2 | 123907-03100 | DIAPHRAGM | 1 | | | | | | | |
| 56 | 2 | 123907-03110 | PLATE | 1 | | | | | | | |
| 57 | 2 | 123907-03120 | PLATE, BREATHER | 1 | | | | | | | |
| 58 | 2 | 123907-03140 | SPRING, DIAPHRAGM | 1 | | | | | | | |

Remarks
(1) REPAIR PART.

Fig.4. CYLINDER HEAD & BONNET



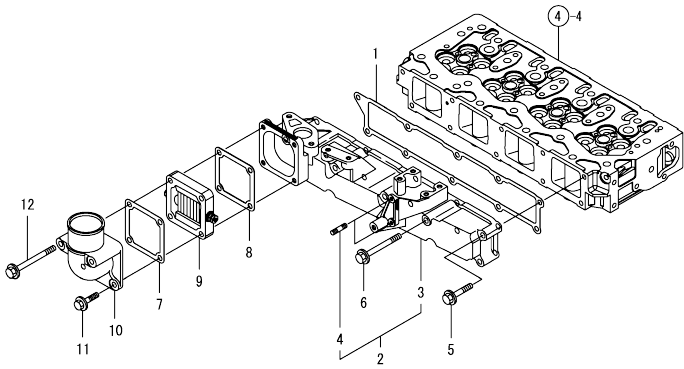
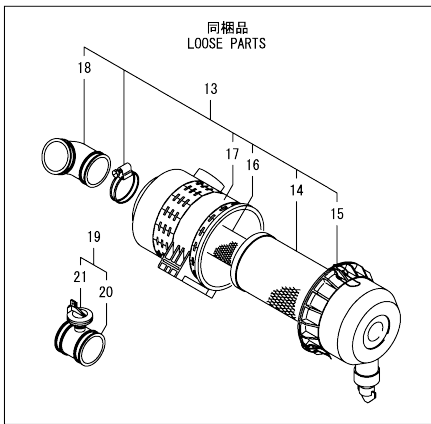
(A)=4TNV98-ZQTBZ
(B)=
(C)=

(D)=
(E)=
(F)=

| No. | Lev. | Parts No. | Description | Q'ty | | | | | |
|-----|------|--------------|---------------------|------|-----|-----|-----|-----|-----|
| | | | | (A) | (B) | (C) | (D) | (E) | (F) |
| 60 | 2 | 129933-11310 | GASKET, BONNET | 1 | | | | | |
| 61 | 2 | 119640-61400 | PLUG | 1 | | | | | |
| 62 | 2 | 175339-79700 | CLIP | 2 | | | | | |
| 63 | 2 | 22857-500100 | SCREW, 5X10 | 6 | | | | | |
| 64 | 2 | 22857-500100 | SCREW, 5X10 | 6 | | | | | |
| 65 | 2 | 26106-060122 | BOLT, M6X 12 PLATED | 2 | | | | | |
| 66 | 1 | 124160-11360 | KNOB | 4 | | | | | |
| 67 | 1 | 24311-000120 | O-RING, 1AP12.0 | 4 | | | | | |
| 68 | 1 | 24311-000320 | O-RING, 1AP32.0 | 1 | | | | | |

Remarks
(1) REPAIR PART.

Fig.5. SUCTION MANIFOLD & AIR CLEANER

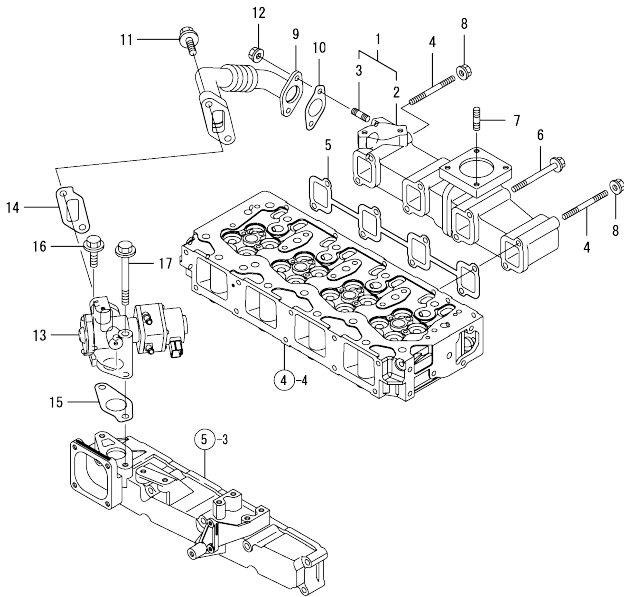
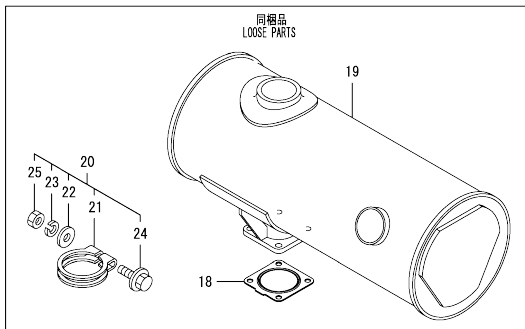


| No. | Lev. | Parts No. | Description | Q'ty | | | | | |
|-----|------|--------------|----------------------|------|-----|-----|-----|-----|-----|
| | | | | (A) | (B) | (C) | (D) | (E) | (F) |
| 1 | 1 | 129907-12110 | GASKET, MANIFOLD | 1 | | | | | |
| 2 | 1 | 129927-12150 | MANIFOLD ASSY,INTAKE | 1 | | | | | |
| 3 | 2 | 129927-12100 | MANIFOLD, AIR INTAKE | 1 | | | | | |
| 4 | 2 | 26216-060202 | STUD, M6X 20 | 2 | | | | | |
| 5 | 1 | 26106-080452 | BOLT, M8X 45 PLATED | 6 | | | | | |
| 6 | 1 | 26106-080802 | BOLT, M8X 80 PLATED | 4 | | | | | |
| 7 | 1 | 119129-77020 | GASKET | 1 | | | | | |
| 8 | 1 | 121850-77021 | GASKET, AIR HEATER | 1 | | | | | |
| 9 | 1 | 119005-77051 | HEATER, AIR | 1 | | | | | |
| 10 | 1 | 119129-77520 | BEND | 1 | | | | | |
| 11 | 1 | 26106-080402 | BOLT, M8X 40 PLATED | 2 | | | | | |
| 12 | 1 | 26106-080902 | BOLT, M8X 90 PLATED | 2 | | | | | |
| 13 | 1 | 129938-12520 | CLEANER ASSY, AIR | 1 | | | | | |
| 14 | 2 | 129939-12621 | ELEMENT | 1 | | | | | |
| 15 | 2 | 129938-12630 | HOUSING, CLEANER | 1 | | | | | |
| 16 | 2 | 129939-12630 | ELEMENT | 1 | | | | | |
| 17 | 2 | 129939-12640 | BRACKET | 1 | | | | | |
| 18 | 2 | 129938-12660 | MANIFOLD, AIR INTAKE | 1 | | | | | |
| 19 | 1 | 129938-12640 | SEAVICE KIT | 1 | | | | | |
| 20 | 2 | 129939-12650 | JOINT | 1 | | | | | |
| 21 | 2 | 129948-12660 | INDICATOR, CLEANER | 1 | | | | | |

Fig.6. EXHAUST MANIFOLD & SILENCER

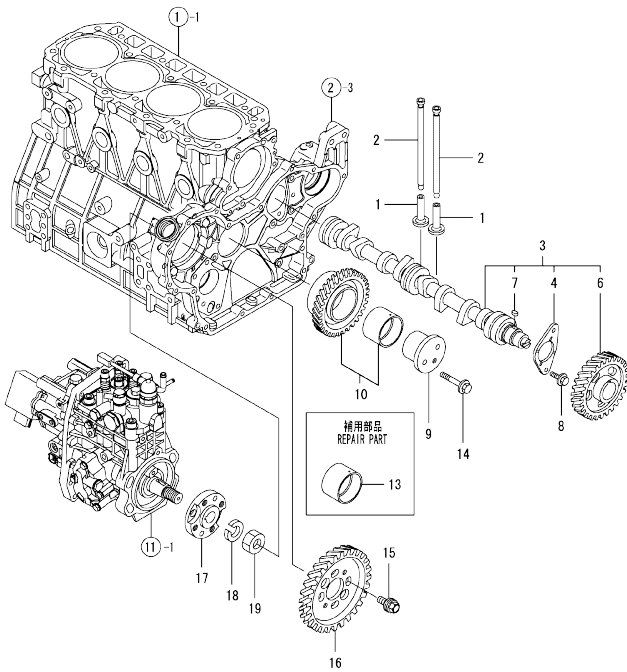
(A)=4TNV98-ZQTBZ
(B)=
(C)=

(D)=
(E)=
(F)=



| No. | Lev. | Parts No. | Description | Q'ty | | | | | | I | R |
|-----|------|--------------|----------------------|------|-----|-----|-----|-----|-----|---|---|
| | | | | (A) | (B) | (C) | (D) | (E) | (F) | | |
| 1 | 1 | 129927-13150 | MANIFOLD ASSY, EXH. | 1 | | | | | | | |
| 2 | 2 | 129927-13100 | MANIFOLD, EXHAUST | 1 | | | | | | | |
| 3 | 2 | 129418-18320 | BOLT, STUD M8X20 | 2 | | | | | | | |
| 4 | 1 | 129263-13210 | BOLT, STUD M8X90 | 2 | | | | | | | |
| 5 | 1 | 129900-13251 | GASKET, EXH.MANIFOLD | 1 | | | | | | | |
| 6 | 1 | 119802-13680 | BOLT, M8X90 10.9T | 6 | | | | | | | |
| 7 | 1 | 119131-18320 | BOLT, STUD M8X22 | 4 | | | | | | | |
| 8 | 1 | 26306-080002 | NUT, M8 | 2 | | | | | | | |
| 9 | 1 | 129927-13800 | PIPE ASSY, EGR | 1 | | | | | | | |
| 10 | 1 | 129927-13810 | GASKET | 1 | | | | | | | |
| 11 | 1 | 26106-100302 | BOLT, M10X 30 PLATED | 2 | | | | | | | |
| 12 | 1 | 26306-080002 | NUT, M8 | 2 | | | | | | | |
| 13 | 1 | 129927-13900 | VALVE, EGR | 1 | | | | | | | |
| 14 | 1 | 129927-13910 | GASKET, EGR | 1 | | | | | | | |
| 15 | 1 | 129927-13920 | GASKET, EGR | 1 | | | | | | | |
| 16 | 1 | 26106-100302 | BOLT, M10X 30 PLATED | 1 | | | | | | | |
| 17 | 1 | 26106-100952 | BOLT, M10X 95 PLATED | 1 | | | | | | | |
| 18 | 1 | 129930-13201 | GASKET, SILENCER | 2 | | | | | | | |
| 19 | 1 | 129940-13500 | SILENCER | 1 | | | | | | | |
| 20 | 1 | 129640-13590 | CLAMP ASSY | 1 | | | | | | | |
| 21 | 2 | 129640-13580 | CLAMP | 1 | | | | | | | |
| 22 | 2 | 22117-100000 | WASHER, 10 | 1 | | | | | | | |
| 23 | 2 | 22217-100000 | WASHER, SPRING 10 | 1 | | | | | | | |
| 24 | 2 | 26106-100652 | BOLT, M10X 65 PLATED | 1 | | | | | | | |
| 25 | 2 | 26706-100002 | NUT, M10 | 1 | | | | | | | |

Fig.7. CAMSHAFT & DRIVING GEAR



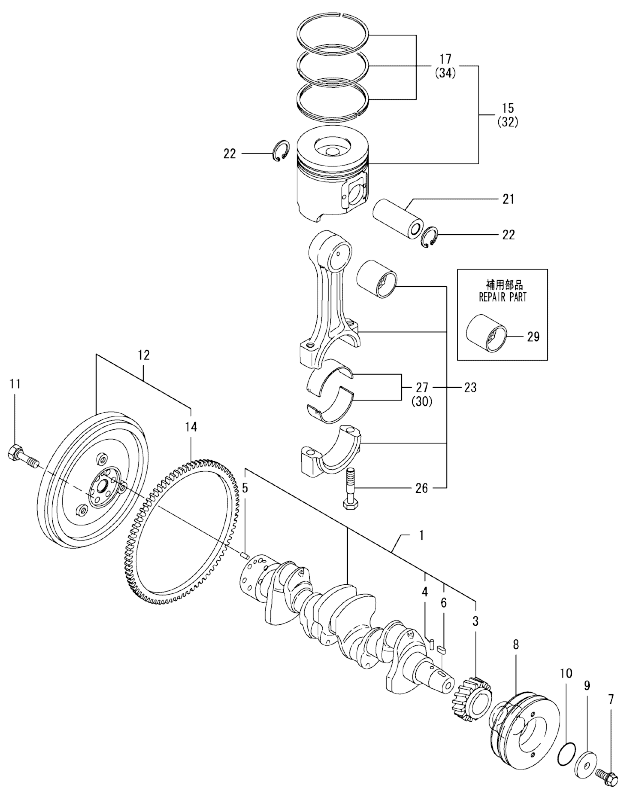
(A)=4TNV98-ZQTBZ
(B)=
(C)=

(D)=
(E)=
(F)=

| No. | Lev. | Parts No. | Description | Q'ty | | | | | | I | R |
|-----|------|--------------|---------------------|------|-----|-----|-----|-----|-----|---|---|
| | | | | (A) | (B) | (C) | (D) | (E) | (F) | | |
| 1 | 1 | 129150-14200 | TAPPET | 8 | | | | | | | |
| 2 | 1 | 129907-14400 | PUSH-ROD | 8 | | | | | | | |
| 3 | 1 | 129908-14581 | CAMSHAFT ASSY | 1 | | | | | | | |
| 4 | 2 | 129150-02450 | BEARING, THRUST | 1 | | | | | | | |
| 6 | 2 | 129900-14100 | GEAR, CAMSHAFT | 1 | | | | | | | |
| 7 | 2 | 22512-070140 | KEY, 7X 14 | 1 | | | | | | | |
| 8 | 1 | 26106-080162 | BOLT, M8X 16 PLATED | 2 | | | | | | | |
| 9 | 1 | 123900-25060 | SHAFT, IDLE GEAR | 1 | | | | | | | |
| 10 | 1 | 129900-25100 | GEAR ASSY, IDLE | 1 | | | | | | | |
| 13 | 1 | 129150-25920 | BUSH, IDLE GEAR | 1 | | | | | | | 1 |
| 14 | 1 | 26106-080552 | BOLT, M8X 55 PLATED | 3 | | | | | | | |
| 15 | 1 | 129953-25300 | BOLT | 4 | | | | | | | |
| 16 | 1 | 129907-25900 | GEAR, PUMP | 1 | | | | | | | |
| 17 | 1 | 158563-51150 | FLANGE | 1 | | | | | | | |
| 18 | 1 | 22217-180000 | WASHER, SPRING 18 | 1 | | | | | | | |
| 19 | 1 | 26776-180002 | NUT, LOCK M18 | 1 | | | | | | | |

Remarks
(1) REPAIR PART.

Fig.8. CRANKSHAFT & PISTON



(A)=4TNV98-ZQTBZ
(B)=
(C)=

(D)=
(E)=
(F)=

| No. | Lev. | Parts No. | Description | Q'ty | | | | | | I | R |
|-----|------|--------------|----------------------|------|-----|-----|-----|-----|-----|---|---|
| | | | | (A) | (B) | (C) | (D) | (E) | (F) | | |
| 1 | 1 | 129902-21000 | CRANKSHAFT ASSY | 1 | | | | | | | |
| 3 | 2 | 129900-21200 | GEAR, CRANKSHAFT | 1 | | | | | | | |
| 4 | 2 | 121850-21290 | PIN | 1 | | | | | | | |
| 5 | 2 | 121850-21920 | PIN, PARALLEL 10X22 | 1 | | | | | | | |
| 6 | 2 | 22512-070140 | KEY, 7X 14 | 1 | | | | | | | |
| 7 | 1 | 129916-21610 | BOLT | 1 | | | | | | | |
| 8 | 1 | 129948-21610 | V-PULLEY, CRANKSHAFT | 1 | | | | | | | |
| 9 | 1 | 129960-21640 | WASHER | 1 | | | | | | | |
| 10 | 1 | 24341-000530 | O-RING, 1AS53.0 | 1 | | | | | | | |
| 11 | 1 | 121850-21130 | BOLT, FLYWHEEL | 6 | | | | | | | |
| 12 | 1 | 129902-21580 | FLYWHEEL ASSY | 1 | | | | | | | |
| 14 | 2 | 127410-21480 | GEAR, RING Z=129 | 1 | | | | | | | |
| 15 | 1 | 129927-22080 | PISTON ASSY | 4 | | | | | | | |
| 17 | 2 | 129927-22050 | RING SET, PISTON | 4 | | | | | | | |
| 21 | 1 | 120130-22301 | PIN, PISTON | 4 | | | | | | | |
| 22 | 1 | 22252-000300 | RING, 30 | 8 | | | | | | | |
| 23 | 1 | 129900-23001 | ROD ASSY, CONNECTING | 4 | | | | | | | |
| 26 | 2 | 129900-23200 | BOLT, CONNECTING ROD | 8 | | | | | | | |
| 27 | 2 | 129900-23601 | BEARING, CRANK PIN | 4 | | | | | | | |
| 29 | 1 | 129900-23911 | BEARING, PISTON PIN | 4 | | | | | | | 1 |
| 30 | 1 | 129900-23611 | BEARING ASSY, 0.25US | 4 | | | | | | | 2 |
| 32 | 1 | 729927-22900 | PISTON ASSY, 0.25 OS | 4 | | | | | | | 3 |
| 34 | 2 | 729927-22950 | RING SET, 0.25 OS | 4 | | | | | | | 3 |

Remarks
(1) REPAIR PART.
(2) UNDER-SIZED(U.S=0.25)PART.
(3) OVER-SIZED(O.S=0.25)PART.

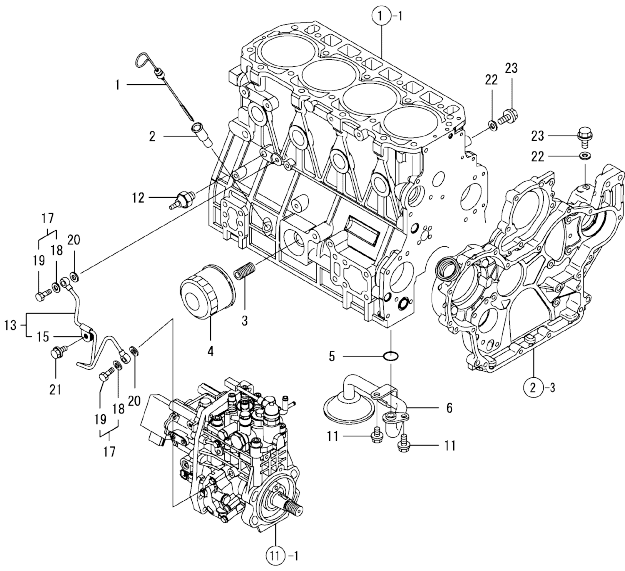
OCD10-M99300 4TNV98-ZQTBZ
 Fig.9. LUB.OIL SYSTEM

OCD10-M99300 Fig.9

(A)=4TNV98-ZQTBZ
 (B)=
 (C)=

(D)=
 (E)=
 (F)=

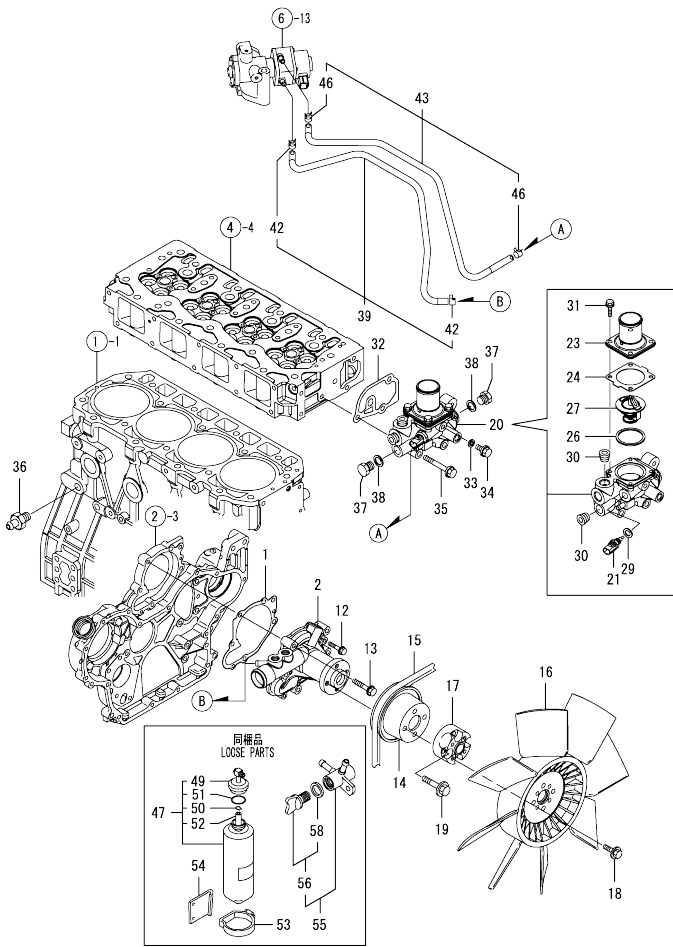
| No. | Lev. | Parts No. | Description | Q'ty | | | | | | I | R |
|-----|------|--------------|----------------------|------|-----|-----|-----|-----|-----|---|---|
| | | | | (A) | (B) | (C) | (D) | (E) | (F) | | |
| 1 | 1 | 129900-34800 | DIPSTICK | 1 | | | | | | | |
| 2 | 1 | 121520-34810 | GUIDE, DIPSTICK | 1 | | | | | | | |
| 3 | 1 | 119000-35140 | BOLT, STUD FILTER | 1 | | | | | | | |
| 4 | 1 | 129150-35153 | FILTER ASSY, D80X80L | 1 | | | | | | | 1 |
| 5 | 1 | 129900-32030 | O-RING, P20 | 1 | | | | | | | |
| 6 | 1 | 129900-35000 | PIPE ASSY, OIL INLET | 1 | | | | | | | |
| 11 | 1 | 26106-080122 | BOLT, M8X 12 PLATED | 2 | | | | | | | |
| 12 | 1 | 114250-39450 | SWITCH, HYDRAULIC | 1 | | | | | | | |
| 13 | 1 | 129927-39060 | PIPE ASSY, OIL | 1 | | | | | | | |
| 15 | 2 | 123907-39500 | RETAINER, PIPE | 1 | | | | | | | |
| 17 | 1 | 129005-59830 | BOLT ASSY, JOINT M8 | 2 | | | | | | | |
| 18 | 2 | 22190-080002 | WASHER, SEAL 6 | 2 | | | | | | | |
| 19 | 2 | 23857-030000 | BOLT, JOINT 3 | 2 | | | | | | | |
| 20 | 1 | 22190-080002 | WASHER, SEAL 6 | 2 | | | | | | | |
| 21 | 1 | 26106-080122 | BOLT, M8X 12 PLATED | 1 | | | | | | | |
| 22 | 1 | 22190-080002 | WASHER, SEAL 6 | 2 | | | | | | | |
| 23 | 1 | 26106-080122 | BOLT, M8X 12 PLATED | 2 | | | | | | | |



Remarks
 (1) REPAIR PART.

N:Old $\frac{100}{100}$ New, Q:Old $\frac{100}{100}$ New, R:Old $\frac{100}{100}$ New, S:Old $\frac{100}{100}$ New, W:Add, Z:Discontinued, F:Interchangeable by set, K:Qty Change
 Copyright (C) YANMAR GLOBAL CS CO., LTD. All Rights Reserved.

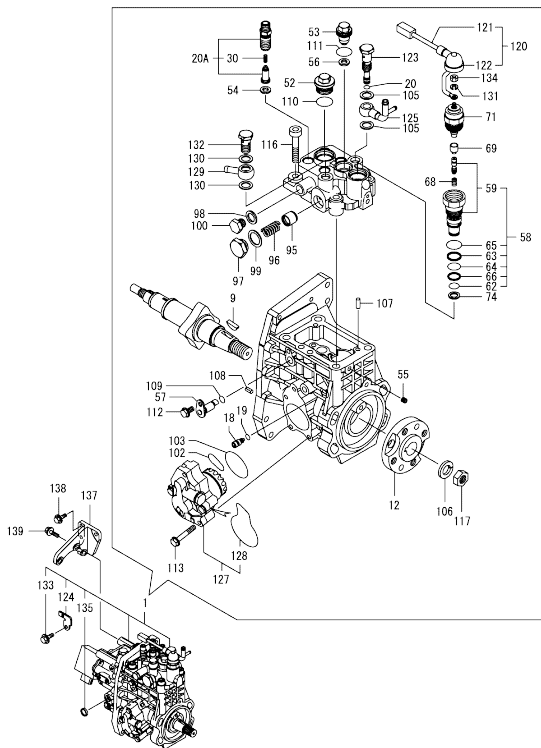
Fig.10. COOLING WATER SYSTEM



| No. | Lev. | Parts No. | Description | Q'ty | | | | | | I | R |
|-------------|------|--------------|-----------------------|------|-----|-----|-----|-----|-----|---|---|
| | | | | (A) | (B) | (C) | (D) | (E) | (F) | | |
| 1 | 1 | 129900-42020 | GASKET, WATER PUMP | 1 | | | | | | | |
| 2 | 1 | 129948-42100 | PUMP ASSY, WATER | 1 | | | | | | | |
| 2-1 | 1 | 129948-42101 | PUMP ASSY, CW | 1 | | | | | | | N |
| (A=E175224) | | | | | | | | | | | |
| 12 | 1 | 26106-060302 | BOLT, M6X 30 PLATED | 2 | | | | | | | |
| 13 | 1 | 26106-080552 | BOLT, M8X 55 PLATED | 5 | | | | | | | |
| 14 | 1 | 123900-42470 | V-PULLEY, C.W.PUMP | 1 | | | | | | | |
| 15 | 1 | 129948-42240 | V-BELT, B43.0 | 1 | | | | | | | |
| 16 | 1 | 129953-44710 | FAN, COOLING D=460 | 1 | | | | | | | |
| 17 | 1 | 129948-44760 | SPACER, FAN | 1 | | | | | | | |
| 18 | 1 | 26106-080162 | BOLT, M8X 16 PLATED | 4 | | | | | | | |
| 19 | 1 | 26106-100452 | BOLT, M10X 45 PLATED | 4 | | | | | | | |
| 20 | 1 | 129938-49800 | CASE ASSY, THERMOSTAT | 1 | | | | | | | |
| 21 | 2 | 129927-44900 | SENSOR, WATER TEMP. | 1 | | | | | | | |
| 23 | 2 | 129916-49530 | COVER, THERMOSTAT | 1 | | | | | | | |
| 24 | 2 | 121850-49540 | GASKET, THERMOSTAT | 1 | | | | | | | |
| 26 | 2 | 121850-49550 | GASKET, THERMOSTAT | 1 | | | | | | | |
| 27 | 2 | 121850-49800 | THERMOSTAT, 82C | 1 | | | | | | | |
| 29 | 2 | 22190-120002 | WASHER, SEAL 12 | 1 | | | | | | | |
| 30 | 2 | 23875-030000 | PLUG, R03 | 2 | | | | | | | |
| 31 | 2 | 26106-060202 | BOLT, M6X 20 PLATED | 4 | | | | | | | |
| 32 | 1 | 129900-49870 | GASKET, THERMOSTAT | 1 | | | | | | | |
| 33 | 1 | 23414-080000 | GASKET, 8X1.0 | 1 | | | | | | | |
| 34 | 1 | 26106-080122 | BOLT, M8X 12 PLATED | 1 | | | | | | | |
| 35 | 1 | 26106-080602 | BOLT, M8X 60 PLATED | 3 | | | | | | | |
| 36 | 1 | 121550-49111 | JOINT, PT1/4 | 1 | | | | | | | |
| 37 | 1 | 121450-42450 | PLUG, M16 | 2 | | | | | | | |
| 38 | 1 | 124465-44950 | GASKET, 16 | 2 | | | | | | | |
| 39 | 1 | 129927-49610 | HOSE ASSY, WATER | 1 | | | | | | | |
| 42 | 2 | 23080-012000 | CLAMP, 12 | 2 | | | | | | | |
| 43 | 1 | 129927-49620 | HOSE ASSY, WATER | 1 | | | | | | | |
| 46 | 2 | 23080-012000 | CLAMP, 12 | 2 | | | | | | | |
| 47 | 1 | 171064-44510 | TANK ASSY, SUB | 1 | | | | | | | |
| 49 | 2 | 121450-44531 | CAP | 1 | | | | | | | |
| 50 | 2 | 124450-44560 | CLAMP, HOSE | 1 | | | | | | | |
| 51 | 2 | 121470-44581 | GASKET | 1 | | | | | | | |
| 52 | 2 | 23065-070225 | HOSE 7X 225 | 1 | | | | | | | |
| 53 | 1 | 124450-44550 | BAND, SUB-TANK | 1 | | | | | | | |
| 54 | 1 | 121256-44600 | BRACKET, SUB TANK | 1 | | | | | | | |
| 55 | 1 | 129150-49100 | COCK ASSY, 3-WAY | 1 | | | | | | | |
| 56 | 2 | 129150-49080 | COCK, DRAIN | 1 | | | | | | | |
| 58 | 3 | 119629-49080 | GASKET | 1 | | | | | | | |

N:Old $\frac{New}{Old}$ New, Q:Old $\frac{New}{Old}$ New, R:Old $\frac{New}{Old}$ New, S:Old $\frac{New}{Old}$ New, W:Add, Z:Discontinued, F:Interchangeable by set, K:Q'ty Change
 Copyright (C) YANMAR GLOBAL CS CO., LTD. All Rights Reserved.

Fig.11. FUEL INJECTION PUMP



Remarks

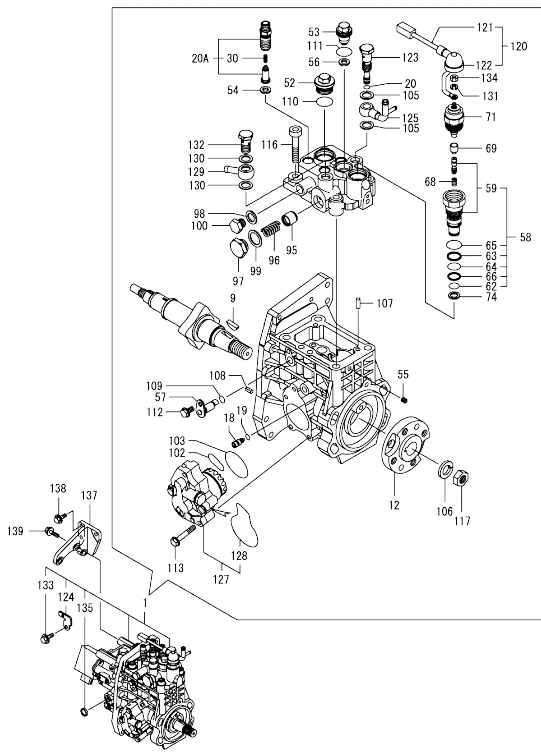
(1) GOVERNOR ASSY (FIG.12) IS INCORPORATED IN THIS FUEL INJECTION PUMP (REF.NO.1).
 * ECO PUMP
 MAKE SURE TO UPDATE THE ENGINES ECU INFORMATION WHEN REPLACING THE ECO PUMP.
 FAILING TO DO SO WILL RESULT IN ENGINE MALFUNCTION.

(A)=4TNV98-ZQTBZ
 (B)=
 (C)=

(D)=
 (E)=
 (F)=

| No. | Lev. | Parts No. | Description | Q'ty | | | | | | I | R |
|---------------|------|--------------|----------------------|------|-----|-----|-----|-----|-----|---|---|
| | | | | (A) | (B) | (C) | (D) | (E) | (F) | | |
| 1 | 1 | 729938-51320 | PUMP ASSY, INJECTION | 1 | | | | | | | 1 |
| 9 | 2 | 144626-51090 | FEATHER KEY, 5X19 | 1 | | | | | | | |
| 12 | 2 | 158563-51150 | FLANGE | 1 | | | | | | | |
| 18 | 2 | 158600-51270 | STOPPER, TAPPET | 1 | | | | | | | |
| 19 | 2 | 158563-51281 | O-RING, 4D S6 | 1 | | | | | | | |
| 20 | 2 | 158563-51281 | O-RING, 4D S6 | 1 | | | | | | | |
| 20A | 2 | 129927-51390 | VALVE ASSY, DELIVERY | 4 | | | | | | | W |
| (A=*2008.04.) | | | | | | | | | | | |
| 30 | 3 | 158563-51330 | SPRING, DELIVERY | 4 | | | | | | | |
| 52 | 2 | 158601-51550 | PLUG, M22 | 1 | | | | | | | |
| 53 | 2 | 129907-51560 | PLUG, M16 | 1 | | | | | | | |
| 54 | 2 | 158552-51570 | GASKET, PLUG | 4 | | | | | | | |
| 55 | 2 | 158557-51570 | PLUG, RACK | 1 | | | | | | | |
| 56 | 2 | 129906-51580 | GASKET, PLUG | 1 | | | | | | | |
| 57 | 2 | 158552-51580 | LIFTER, LINK | 1 | | | | | | | |
| 58 | 2 | 129657-51590 | TIMER ASSY | 1 | | | | | | | |
| 59 | 3 | 129657-51600 | TIMER ASSY | 1 | | | | | | | |
| 62 | 3 | 158553-51670 | O-RING | 1 | | | | | | | |
| 63 | 3 | 119802-51680 | RING, BACKUP | 1 | | | | | | | |
| 64 | 3 | 119802-51690 | O-RING | 1 | | | | | | | |
| 65 | 3 | 24356-010200 | O-RING, 4D1020 | 1 | | | | | | | |
| 66 | 3 | 24372-000150 | RING, BACK UP T2P15 | 1 | | | | | | | |
| 68 | 2 | 119852-51630 | SPRING, TIMER | 1 | | | | | | | |
| 69 | 2 | 119852-51640 | CAP, TIMER | 1 | | | | | | | |
| 71 | 2 | 119852-51650 | VALVE ASSY, SOLENOID | 1 | | | | | | | |
| 74 | 2 | 158553-51680 | GASKET, TIMER | 1 | | | | | | | |
| 95 | 2 | 158601-51770 | PISTON, ACCUMULATOR | 1 | | | | | | | |
| 96 | 2 | 158552-51781 | SPRING, ACCUMULATOR | 1 | | | | | | | |
| 97 | 2 | 158601-51790 | PLUG | 1 | | | | | | | |
| 98 | 2 | 22190-120002 | WASHER, SEAL 12 | 1 | | | | | | | |
| 99 | 2 | 22190-180002 | WASHER, SEAL 18 | 1 | | | | | | | |
| 100 | 2 | 23887-120002 | PLUG, 12 | 1 | | | | | | | |
| 102 | 2 | 158552-52310 | O-RING | 1 | | | | | | | |
| 103 | 2 | 158552-52400 | O-RING, 4E S42 | 1 | | | | | | | |
| 105 | 2 | 22190-120002 | WASHER, SEAL 12 | 2 | | | | | | | |
| 106 | 2 | 22217-180000 | WASHER, SPRING 18 | 1 | | | | | | | |
| 107 | 2 | 22312-050140 | PIN, PARALLEL M5X14 | 2 | | | | | | | |
| 108 | 2 | 22351-050010 | PIN, SPRING 5.0X10 | 2 | | | | | | | |
| 109 | 2 | 24311-000070 | O-RING, 1AP7.0 | 1 | | | | | | | |
| 110 | 2 | 24356-010200 | O-RING, 4D1020 | 1 | | | | | | | |
| 111 | 2 | 24356-020210 | O-RING, 4D2021 | 1 | | | | | | | |
| 112 | 2 | 26106-060102 | BOLT, M6X 10 PLATED | 1 | | | | | | | |
| 113 | 2 | 26106-060352 | BOLT, M6X 35 PLATED | 4 | | | | | | | |
| 116 | 2 | 26450-100452 | BOLT, M10X 45 | 4 | | | | | | | |
| 117 | 2 | 26776-180002 | NUT, LOCK M18 | 1 | | | | | | | |
| 120 | 2 | 129927-51650 | HARNESS ASSY, WIRE | 1 | | | | | | | |
| 121 | 3 | 129927-51660 | HARNESS | 1 | | | | | | | |
| 122 | 3 | 129263-77941 | CAP, RUBBER | 1 | | | | | | | |
| 123 | 2 | 158601-51650 | JOINT, OVER FLOW | 1 | | | | | | | |
| 124 | 2 | 129927-51670 | BRACKET | 1 | | | | | | | |
| 125 | 2 | 158552-51670 | JOINT, OVER FLOW | 1 | | | | | | | |

Fig.11. FUEL INJECTION PUMP



(A)=4TNV98-ZQTBZ
(B)=
(C)=

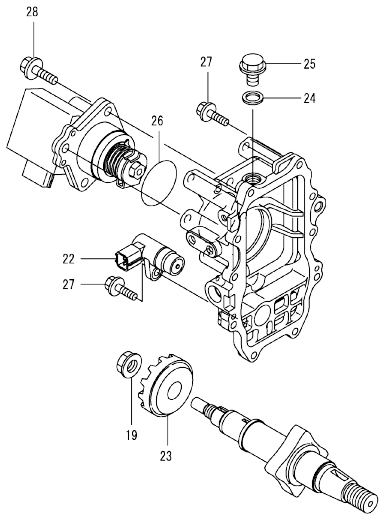
(D)=
(E)=
(F)=

| No. | Lev. | Parts No. | Description | Q'ty | | | | | | I | R |
|-----|------|--------------|----------------------|------|-----|-----|-----|-----|-----|---|---|
| | | | | (A) | (B) | (C) | (D) | (E) | (F) | | |
| 127 | 2 | 158552-52100 | PUMP ASSY, FUEL FEED | 1 | | | | | | | |
| 128 | 3 | 158552-52500 | O-RING | 1 | | | | | | | |
| 129 | 2 | 129916-59020 | JOINT, PIPE 12 | 1 | | | | | | | |
| 130 | 2 | 22190-120002 | WASHER, SEAL 12 | 2 | | | | | | | |
| 131 | 2 | 22217-050000 | WASHER, SPRING 5 | 1 | | | | | | | |
| 132 | 2 | 23857-060000 | BOLT, JOINT 6 | 1 | | | | | | | |
| 133 | 2 | 26106-060122 | BOLT, M6X 12 PLATED | 1 | | | | | | | |
| 134 | 2 | 26716-050002 | NUT, M5 | 1 | | | | | | | |
| 135 | 2 | 27241-160000 | PLUG, 16 | 1 | | | | | | | |
| 137 | 1 | 129927-51250 | RETAINER, PUMP | 1 | | | | | | | |
| 138 | 1 | 26106-080202 | BOLT, M8X 20 PLATED | 3 | | | | | | | |
| 139 | 1 | 26106-080302 | BOLT, M8X 30 PLATED | 3 | | | | | | | |

Remarks

(1) GOVERNOR ASSY (FIG.12) IS INCORPORATED IN THIS FUEL INJECTION PUMP (REF.NO.1).
* ECO PUMP
MAKE SURE TO UPDATE THE ENGINES ECU INFORMATION WHEN REPLACING THE ECO PUMP.
FAILING TO DO SO WILL RESULT IN ENGINE MALFUNCTION.

Fig.12. GOVERNOR



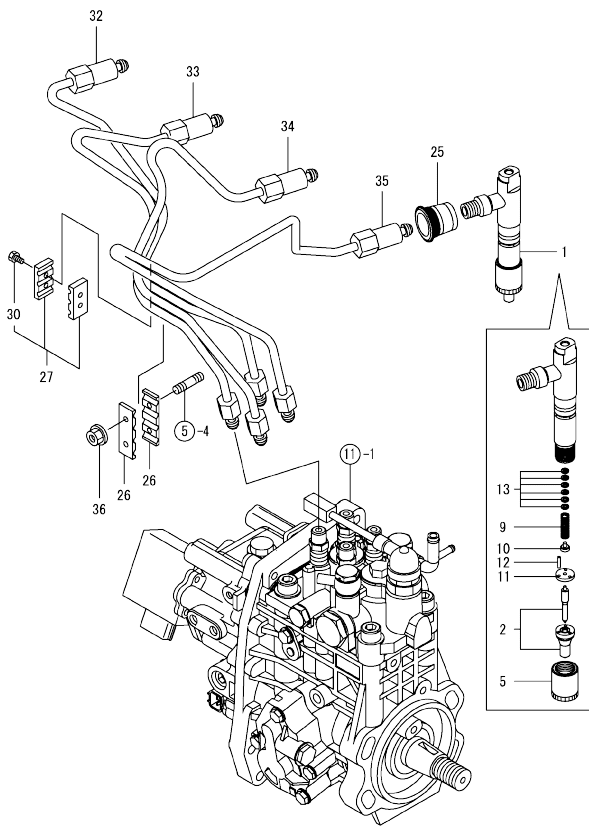
(A)=4TNV98-ZQTBZ
(B)=
(C)=

(D)=
(E)=
(F)=

| No. | Lev. | Parts No. | Description | Q'ty | | | | | |
|-----|------|--------------|---------------------|------|-----|-----|-----|-----|-----|
| | | | | (A) | (B) | (C) | (D) | (E) | (F) |
| 19 | 2 | 129008-61301 | NUT | 1 | | | | | |
| 22 | 2 | 158557-61720 | SENSOR | 1 | | | | | |
| 23 | 2 | 158553-61780 | GEAR, SENSOR | 1 | | | | | |
| 24 | 2 | 23414-120000 | GASKET, 12X1.0 | 1 | | | | | |
| 25 | 2 | 23887-120002 | PLUG, 12 | 1 | | | | | |
| 26 | 2 | 24341-000480 | O-RING, 1AS48.0 | 1 | | | | | |
| 27 | 2 | 26106-060252 | BOLT, M6X 25 PLATED | 10 | | | | | |
| 28 | 2 | 26106-080252 | BOLT, M8X 25 PLATED | 3 | | | | | |

Remarks
* THIS FIGURE(GOVERNOR ASSY)IS
INCORPORATED IN THE FUEL INJECTION
PUMP ASSY(FIG.11).

Fig.13. FUEL INJECTION VALVE

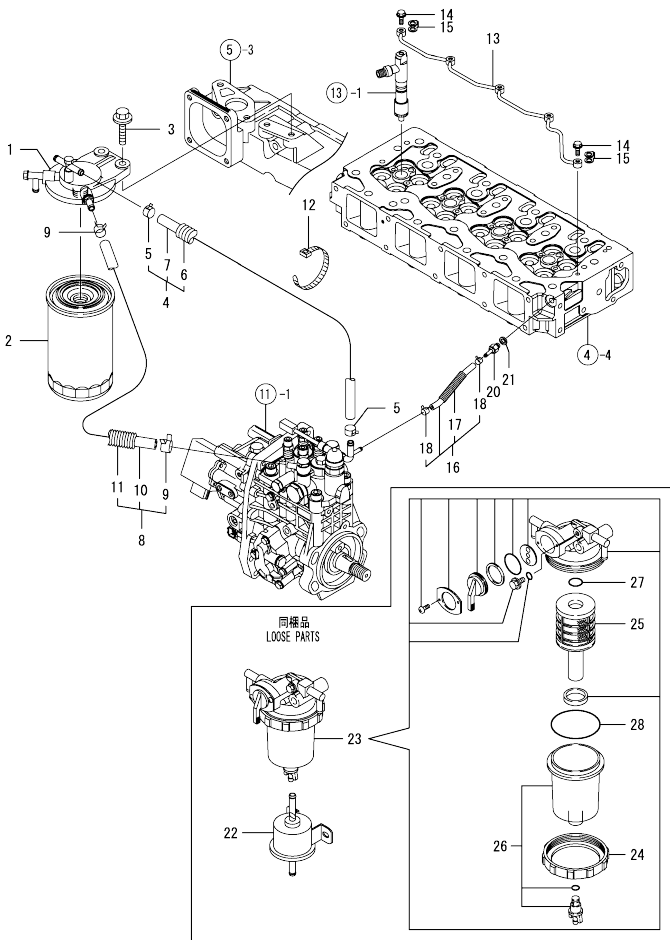


(A)=4TNV98-ZQTBZ
(B)=
(C)=

(D)=
(E)=
(F)=

| No. | Lev. | Parts No. | Description | Q'ty | | | | | |
|-----|------|--------------|----------------------|------|-----|-----|-----|-----|-----|
| | | | | (A) | (B) | (C) | (D) | (E) | (F) |
| 1 | 1 | 729927-53100 | FUEL INJECTOR ASSY | 4 | | | | | |
| 2 | 2 | 129927-53000 | NOZZLE ASSY, F.I. | 4 | | | | | |
| 5 | 2 | 114250-53080 | NUT, NOZZLE | 4 | | | | | |
| 9 | 2 | 114250-53120 | SPRING, NOZZLE | 4 | | | | | |
| 10 | 2 | 114250-53130 | SEAT, SPRING | 4 | | | | | |
| 11 | 2 | 114250-53140 | SPACER | 4 | | | | | |
| 12 | 2 | 114250-53210 | PIN | 8 | | | | | |
| 13 | 2 | 114250-53400 | SHIM SET | 4 | | | | | |
| 25 | 1 | 123907-11601 | SEAL, PIPE | 4 | | | | | |
| 26 | 1 | 123472-59120 | RETAINER, PIPE | 2 | | | | | |
| 27 | 1 | 129150-59120 | RETAINER, PIPE | 1 | | | | | |
| 30 | 2 | 129150-59131 | BOLT, M4X14 | 2 | | | | | |
| 32 | 1 | 129927-59810 | PIPE ASSY, INJECTION | 1 | | | | | |
| 33 | 1 | 129927-59820 | PIPE ASSY, INJECTION | 1 | | | | | |
| 34 | 1 | 129927-59830 | PIPE ASSY, INJECTION | 1 | | | | | |
| 35 | 1 | 129927-59840 | PIPE ASSY, INJECTION | 1 | | | | | |
| 36 | 1 | 26366-060002 | NUT, M6 | 2 | | | | | |

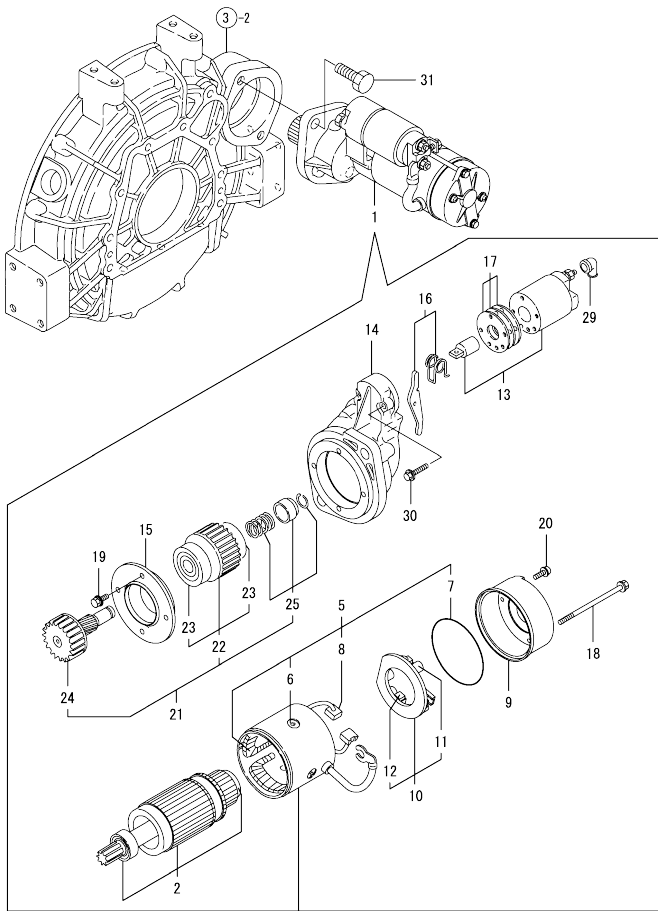
Fig.14. FUEL LINE



| No. | Lev. | Parts No. | Description | Q'ty | | | | | | I | R |
|-----|------|--------------|----------------------|------|-----|-----|-----|-----|-----|---|---|
| | | | | (A) | (B) | (C) | (D) | (E) | (F) | | |
| 1 | 1 | 129004-55612 | BRACKET, FILTER | 1 | | | | | | | |
| 2 | 1 | 129907-55801 | FILTER, FUEL | 1 | | | | | | | |
| 3 | 1 | 26106-080302 | BOLT, M8X 30 PLATED | 2 | | | | | | | |
| 4 | 1 | 129457-59010 | HOSE ASSY, FUEL | 1 | | | | | | | |
| 5 | 2 | 124766-59050 | CLAMP, HOSE 11.5 | 2 | | | | | | | |
| 6 | 2 | 129957-59120 | TUBE, CORRUGATED 15 | 1 | | | | | | | |
| 7 | 2 | 105025-59750 | HOSE, FUEL | 1 | | | | | | | |
| 8 | 1 | 129961-59310 | HOSE ASSY, FUEL | 1 | | | | | | | |
| 9 | 2 | 124766-59050 | CLAMP, HOSE 11.5 | 2 | | | | | | | |
| 10 | 2 | 129136-59110 | HOSE, D13/7.5X270 | 1 | | | | | | | |
| 11 | 2 | 129961-59110 | TUBE, CORRUGATED 15 | 1 | | | | | | | |
| 12 | 1 | 121750-59890 | BAND, NYLON | 1 | | | | | | | |
| 13 | 1 | 129907-59140 | PIPE ASSY, RETURN | 1 | | | | | | | |
| 14 | 1 | 123907-59540 | BOLT, PIPE JOINT M6 | 5 | | | | | | | |
| 15 | 1 | 123907-59550 | GASKET | 5 | | | | | | | |
| 16 | 1 | 129927-59550 | HOSE ASSY RETURN | 1 | | | | | | | |
| 17 | 2 | 129263-49750 | TUBE, CORRUGATED | 1 | | | | | | | |
| 18 | 2 | 124722-59050 | CLAMP, HOSE 9 | 2 | | | | | | | |
| 20 | 1 | 123907-59560 | JOINT, HOSE | 1 | | | | | | | |
| 21 | 1 | 22190-080002 | WASHER, SEAL 6 | 1 | | | | | | | |
| 22 | 1 | 129612-52100 | PUMP, FUEL FEED | 1 | | | | | | | |
| 23 | 1 | 129906-55700 | SEPARATOR ASSY,WATER | 1 | | | | | | | |
| 24 | 2 | 129100-55690 | RING, CUP RETAINING | 1 | | | | | | | |
| 25 | 2 | 119802-55710 | ELEMENT | 1 | | | | | | | |
| 26 | 2 | 119802-55730 | CUP ASSY, SEPARATOR | 1 | | | | | | | |
| 27 | 2 | 24311-000160 | O-RING, 1AP16.0 | 1 | | | | | | | |
| 28 | 2 | 24321-000650 | O-RING, 1AG65.0 | 1 | | | | | | | |

N:Old $\frac{New}{Old}$ New, Q:Old $\frac{New}{Old}$ New, R:Old $\frac{New}{Old}$ New, S:Old $\frac{New}{Old}$ New, W:Add, Z:Discontinued, F:Interchangeable by set, K:Q'ty Change
 Copyright (C) YANMAR GLOBAL CS CO., LTD. All Rights Reserved.

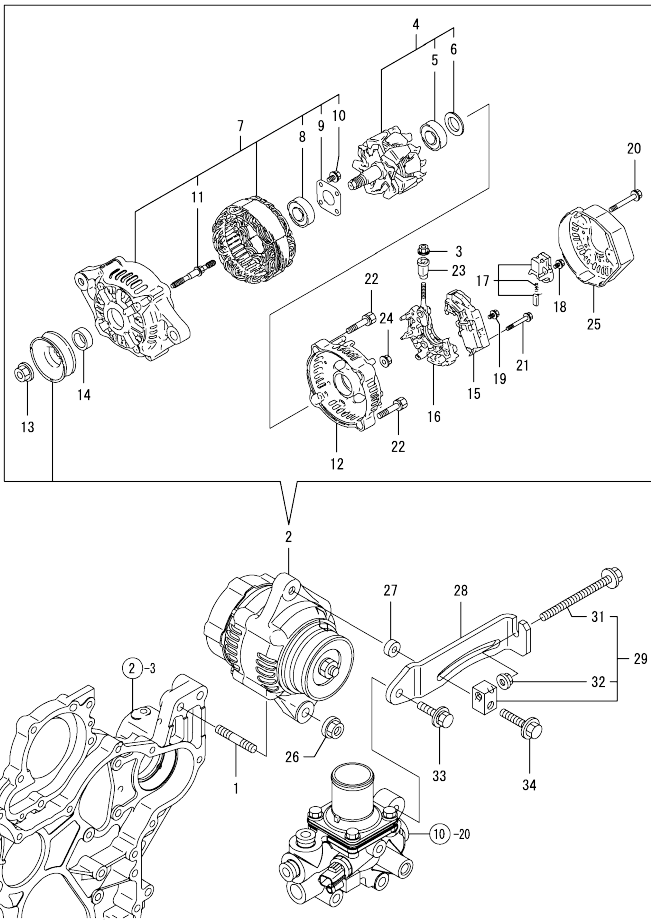
Fig.15. STARTING MOTOR



(A)=4TNV98-ZQTBZ
(B)=
(C)=

(D)=
(E)=
(F)=

| No. | Lev. | Parts No. | Description | Q'ty | | | | | | I | R |
|-----|------|--------------|----------------------|------|-----|-----|-----|-----|-----|---|---|
| | | | | (A) | (B) | (C) | (D) | (E) | (F) | | |
| 1 | 1 | 129940-77010 | STARTER ASSY | 1 | | | | | | | |
| 2 | 2 | 129940-77100 | ARMATURE ASSY | 1 | | | | | | | |
| 5 | 2 | 129940-77130 | COIL ASSY, FIELD | 1 | | | | | | | |
| 6 | 3 | 129940-77140 | SCREW, CORE SET | 4 | | | | | | | |
| 7 | 3 | 129940-77150 | O-RING | 1 | | | | | | | |
| 8 | 3 | 129940-77160 | BRUSH | 2 | | | | | | | |
| 9 | 2 | 129940-77170 | COVER | 1 | | | | | | | |
| 10 | 2 | 129940-77180 | HOLDER ASSY, BRUSH | 1 | | | | | | | |
| 11 | 3 | 129940-77190 | SPRING, BRUSH | 1 | | | | | | | |
| 12 | 3 | 129940-77200 | BRUSH | 2 | | | | | | | |
| 13 | 2 | 129940-77210 | SWITCH ASSY, MAGNET | 1 | | | | | | | |
| 14 | 2 | 129940-77220 | CASE, GEAR | 1 | | | | | | | |
| 15 | 2 | 129940-77230 | RETAINER, BEARING | 1 | | | | | | | |
| 16 | 2 | 129940-77240 | LEVER SET | 1 | | | | | | | |
| 17 | 2 | 129940-77250 | COVER KIT, DUST | 1 | | | | | | | |
| 18 | 2 | 129940-77260 | BOLT, THROUGH | 2 | | | | | | | |
| 19 | 2 | 129940-77270 | BOLT | 4 | | | | | | | |
| 20 | 2 | 129940-77280 | SCREW | 2 | | | | | | | |
| 21 | 2 | 123900-77510 | PINION ASSY | 1 | | | | | | | |
| 22 | 3 | 123900-77520 | CLUTCH ASSY | 1 | | | | | | | |
| 23 | 4 | X2240610100 | BEARING, BALL | 2 | | | | | | | |
| 24 | 3 | 123900-77540 | SHAFT, PINION | 1 | | | | | | | |
| 25 | 3 | 119131-77550 | STOPPER SET, PINION | 1 | | | | | | | |
| 29 | 2 | 121254-77810 | COVER, TERMINAL | 1 | | | | | | | |
| 30 | 2 | 114371-79070 | BOLT | 2 | | | | | | | |
| 31 | 1 | 26116-120302 | BOLT, M12X 30 PLATED | 2 | | | | | | | |

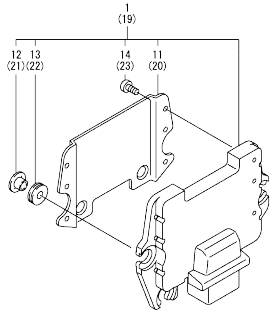


(A)=4TNV98-ZQTBZ
 (B)=
 (C)=

(D)=
 (E)=
 (F)=

| No. | Lev. | Parts No. | Description | Q'ty | | | | | | I | R |
|-----|------|--------------|----------------------|------|-----|-----|-----|-----|-----|---|---|
| | | | | (A) | (B) | (C) | (D) | (E) | (F) | | |
| 1 | 1 | 129795-01900 | BOLT, STUD M10X33 | 1 | | | | | | | |
| 2 | 1 | 123951-77200 | GENERATOR ASSY, 55A | 1 | | | | | | | |
| 3 | 2 | X9490561001 | NUT | 1 | | | | | | | |
| 4 | 2 | 129052-77380 | ROTOR ASSY | 1 | | | | | | | |
| 5 | 3 | 125301-79240 | BEARING, BALL | 1 | | | | | | | |
| 6 | 3 | 119620-79250 | COVER, BEARING | 1 | | | | | | | |
| 7 | 2 | 129052-77421 | FRAME ASSY | 1 | | | | | | | |
| 8 | 3 | 119620-79200 | BEARING, BALL | 1 | | | | | | | |
| 9 | 3 | 119620-79210 | RETAINER | 1 | | | | | | | |
| 10 | 3 | 119620-79220 | SCREW | 4 | | | | | | | |
| 11 | 3 | 119620-79230 | BOLT, STUD | 2 | | | | | | | |
| 12 | 2 | 128401-77440 | COVER | 1 | | | | | | | |
| 13 | 2 | 119620-77470 | NUT | 1 | | | | | | | |
| 14 | 2 | 119620-77490 | COLLAR | 1 | | | | | | | |
| 15 | 2 | 119626-77710 | REGULATOR ASSY | 1 | | | | | | | |
| 16 | 2 | 129052-79260 | HOLDER | 1 | | | | | | | |
| 17 | 2 | 129052-79270 | HOLDER, BRUSH | 1 | | | | | | | |
| 18 | 2 | 119620-79290 | SCREW | 6 | | | | | | | |
| 19 | 2 | 119620-79300 | SCREW | 1 | | | | | | | |
| 20 | 2 | 119620-79310 | BOLT | 3 | | | | | | | |
| 21 | 2 | 119620-79320 | SCREW | 2 | | | | | | | |
| 22 | 2 | 119620-79330 | BOLT | 2 | | | | | | | |
| 23 | 2 | 119620-79340 | BUSH, INSULATION | 1 | | | | | | | |
| 24 | 2 | 119620-79350 | NUT | 2 | | | | | | | |
| 25 | 2 | 119626-77450 | FRAME | 1 | | | | | | | |
| 26 | 1 | 26306-100002 | NUT, M10 | 1 | | | | | | | |
| 27 | 1 | 119940-77270 | SPACER | 1 | | | | | | | |
| 28 | 1 | 129906-77300 | ADJUSTER, BELT | 1 | | | | | | | |
| 29 | 1 | 119624-77351 | BLOCK ASSY, ADJUSTER | 1 | | | | | | | |
| 31 | 2 | 26106-081004 | BOLT, M8X100 PLATED | 1 | | | | | | | |
| 32 | 2 | 26306-080002 | NUT, M8 | 1 | | | | | | | |
| 33 | 1 | 26014-080252 | BOLT, M8X 25 | 1 | | | | | | | |
| 34 | 1 | 26106-080552 | BOLT, M8X 55 PLATED | 1 | | | | | | | |

Fig.17. ELECTRONIC CONTROL UNIT (ECU)



(A)=4TNV98-ZQTBZ
(B)=
(C)=

(D)=
(E)=
(F)=

| No. | Lev. | Parts No. | Description | Q'ty | | | | | | I | R |
|-----|------|--------------|----------------------|------|-----|-----|-----|-----|-----|---|---|
| | | | | (A) | (B) | (C) | (D) | (E) | (F) | | |
| 1 | 1 | 129938-75080 | CONTROLLER ASSY, EUC | 1 | | | | | | | 1 |
| 11 | 2 | 129927-77600 | SHIELD, ECU | 1 | | | | | | | |
| 12 | 2 | 129927-77680 | COLLAR, CONTROL | 3 | | | | | | | |
| 13 | 2 | 119578-91351 | ABSORBER | 3 | | | | | | | |
| 14 | 2 | 22877-500080 | SCREW, 5X 8 | 6 | | | | | | | |
| 19 | 1 | 129927-75900 | ECU ASSY, SERVICE | 1 | | | | | | | 2 |
| 20 | 2 | 129927-77600 | SHIELD, ECU | 1 | | | | | | | |
| 21 | 2 | 129927-77680 | COLLAR, CONTROL | 3 | | | | | | | |
| 22 | 2 | 119578-91351 | ABSORBER | 3 | | | | | | | |
| 23 | 2 | 22877-500080 | SCREW, 5X 8 | 6 | | | | | | | |

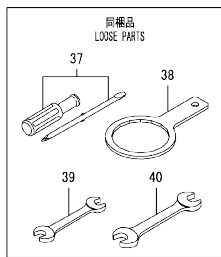
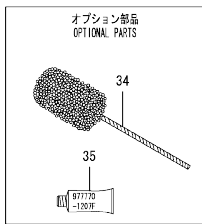
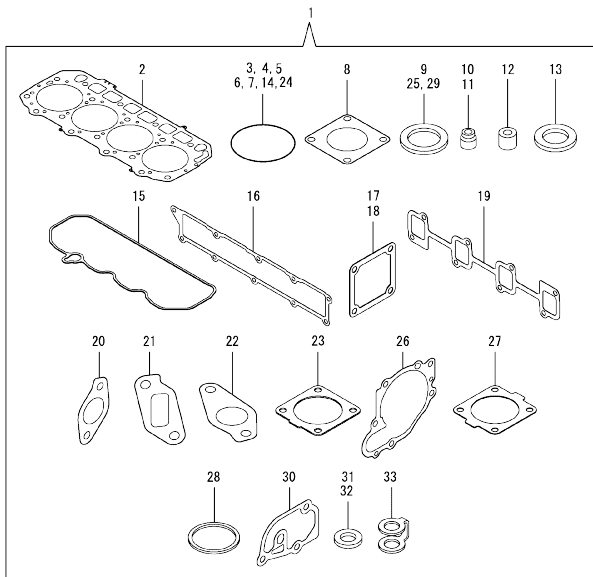
Remarks

(1)ECO ECU
THIS PART CANNOT BE ORDERED.
REPLACE THE PART USING A SERVICE
ECU WITH THE PROPER ENGINE
INFORMATION INSTALLED.
(2)SERVICE ECU
IF THE PROPER INFORMATION IS NOT
INSTALLED, THE ENGINE WILL NOT
OPERATE.
TO INSTALL PROPER INFORMATION,
GO TO AN AUTHORIZED DISTRIBUTOR.

Fig.18. GASKET SET

(A)=4TNV98-ZQTBZ
(B)=
(C)=

(D)=
(E)=
(F)=



| No. | Lev. | Parts No. | Description | Qty | | | | | | I | R | |
|-----|------|--------------|----------------------|-----|-----|-----|-----|-----|-----|---|---|---|
| | | | | (A) | (B) | (C) | (D) | (E) | (F) | | | |
| 1 | 1 | 729927-92710 | GASKET SET | 1 | | | | | | | 1 | |
| 2 | 2 | 129907-01331 | GASKET, HEAD | 1 | | | | | | | | |
| 3 | 2 | 129900-32030 | O-RING, P20 | 2 | | | | | | | | |
| 4 | 2 | 129900-32040 | O-RING, P14 | 1 | | | | | | | | |
| 5 | 2 | 24311-000070 | O-RING, 1AP7.0 | 1 | | | | | | | | |
| 6 | 2 | 24351-030750 | O-RING, 1A3075 | 1 | | | | | | | | |
| 7 | 2 | 24311-000320 | O-RING, 1AP3.0 | 3 | | | | | | | | |
| 8 | 2 | 124240-01883 | GASKET | 1 | | | | | | | | |
| 9 | 2 | 22190-220002 | WASHER, SEAL 22 | 1 | | | | | | | | |
| 10 | 2 | 119803-11340 | SEAL, VALVE STEM | 8 | | | | | | | | |
| 11 | 2 | 124160-11340 | SEAL, VALVE STEM | 8 | | | | | | | | |
| 12 | 2 | 119802-11870 | PROTECTOR, NOZZLE | 4 | | | | | | | | |
| 13 | 2 | 119625-11880 | SEAT, NOZZLE | 4 | | | | | | | | |
| 14 | 2 | 24311-000120 | O-RING, 1AP12.0 | 8 | | | | | | | | |
| 15 | 2 | 129933-11310 | GASKET, BONNET | 1 | | | | | | | | |
| 16 | 2 | 129907-12110 | GASKET, MANIFOLD | 1 | | | | | | | | |
| 17 | 2 | 119129-77020 | GASKET | 1 | | | | | | | | |
| 18 | 2 | 121850-77021 | GASKET, AIR HEATER | 1 | | | | | | | | |
| 19 | 2 | 129900-13251 | GASKET, EXH.MANIFOLD | 1 | | | | | | | | |
| 20 | 2 | 129927-13810 | GASKET | 1 | | | | | | | | |
| 21 | 2 | 129927-13910 | GASKET, EGR | 1 | | | | | | | | |
| 22 | 2 | 129927-13920 | GASKET, EGR | 1 | | | | | | | | |
| 23 | 2 | 129930-13201 | GASKET, SILENCER | 2 | | | | | | | | |
| 24 | 2 | 24341-000530 | O-RING, 1AS53.0 | 1 | | | | | | | | |
| 25 | 2 | 22190-080002 | WASHER, SEAL 6 | 7 | | | | | | | | |
| 26 | 2 | 129900-42020 | GASKET, WATER PUMP | 1 | | | | | | | | |
| 27 | 2 | 121850-49540 | GASKET, THERMOSTAT | 1 | | | | | | | | |
| 28 | 2 | 121850-49550 | GASKET, THERMOSTAT | 1 | | | | | | | | |
| 29 | 2 | 22190-120002 | WASHER, SEAL 12 | 1 | | | | | | | | |
| 30 | 2 | 129900-49870 | GASKET, THERMOSTAT | 1 | | | | | | | | |
| 31 | 2 | 23414-080000 | GASKET, 8X1.0 | 1 | | | | | | | | |
| 32 | 2 | 124465-44950 | GASKET, 16 | 2 | | | | | | | | |
| 33 | 2 | 123907-59550 | GASKET | 5 | | | | | | | | |
| 34 | 1 | 129400-92450 | HONE, FLEX | 1 | | | | | | | | 1 |
| 35 | 1 | 977770-1207F | GASKET LIQUID | 1 | | | | | | | | 1 |
| 37 | 1 | 104200-92350 | SCREW-DRIVER | 1 | | | | | | | | |
| 38 | 1 | 119640-92750 | TOOL, FILTER WRENCH | 1 | | | | | | | | |
| 39 | 1 | 28110-100120 | SPANNER, 10X12 | 1 | | | | | | | | |
| 40 | 1 | 28110-140170 | SPANNER, 14X17 | 1 | | | | | | | | |

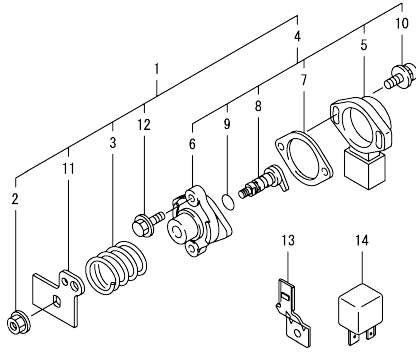
Remarks
(1) OPTIONAL PART.

OCD10-M99300 4TNV98-ZQTBZ
 Fig.19. LOOSE PART

OCD10-M99300 Fig.19

(A)=4TNV98-ZQTBZ
 (B)=
 (C)=

(D)=
 (E)=
 (F)=



| No. | Lev. | Parts No. | Description | Q'ty | | | | | |
|-----|------|--------------|---------------------|------|-----|-----|-----|-----|-----|
| | | | | (A) | (B) | (C) | (D) | (E) | (F) |
| 1 | 1 | 129938-77800 | SENSOR ASSY, ACCEL | 1 | | | | | |
| 2 | 2 | 194990-22130 | NUT, M6 | 1 | | | | | |
| 3 | 2 | 119060-61990 | SPRING, RETURN | 1 | | | | | |
| 4 | 2 | 129054-77800 | SENSOR ASSY, ACCEL | 1 | | | | | |
| 5 | 3 | 185100-50070 | BODY | 1 | | | | | |
| 6 | 3 | 129054-77811 | SUPPORT, SENSOR | 1 | | | | | |
| 7 | 3 | 129054-77820 | GASKET | 1 | | | | | |
| 8 | 3 | 129054-77830 | SHAFT ASSY | 1 | | | | | |
| 9 | 3 | 24311-000070 | O-RING, 1AP7.0 | 1 | | | | | |
| 10 | 3 | 26023-040202 | SCREW, M4X20 | 2 | | | | | |
| 11 | 2 | 129938-77810 | LEVER, SENSOR | 1 | | | | | |
| 12 | 2 | 26106-060122 | BOLT, M6X 12 PLATED | 2 | | | | | |
| 13 | 1 | 129927-77910 | BRACKET, CONNECTOR | 3 | | | | | |
| 14 | 1 | 129927-77920 | RELAY, ISO 70A | 3 | | | | | |

Parts No. Index

| Parts No. | Fig. No. | Ref. No. |
|--------------|----------|----------|
| 104200-92350 | 18 | 37 |
| 105025-59750 | 14 | 7 |
| 114250-39450 | 9 | 12 |
| 114250-53080 | 13 | 5 |
| 114250-53120 | 13 | 9 |
| 114250-53130 | 13 | 10 |
| 114250-53140 | 13 | 11 |
| 114250-53210 | 13 | 12 |
| 114250-53400 | 13 | 13 |
| 114371-79070 | 15 | 30 |
| 119000-01840 | 3 | 4 |
| 119000-35140 | 9 | 3 |
| 119005-77051 | 5 | 9 |
| 119060-61990 | 19 | 3 |
| 119129-77020 | 5 | 7 |
| | 18 | 17 |
| 119129-77520 | 5 | 10 |
| 119131-18320 | 6 | 7 |
| 119131-77550 | 15 | 25 |
| 119578-91351 | 17 | 13 |
| | 22 | |
| 119593-11301 | 4 | 30 |
| 119620-11180 | 4 | 14 |
| 119620-77470 | 16 | 13 |
| 119620-77490 | 16 | 14 |
| 119620-79200 | 16 | 8 |
| 119620-79210 | 16 | 9 |
| 119620-79220 | 16 | 10 |
| 119620-79230 | 16 | 11 |
| 119620-79250 | 16 | 6 |
| 119620-79290 | 16 | 18 |
| 119620-79300 | 16 | 19 |
| 119620-79310 | 16 | 20 |
| 119620-79320 | 16 | 21 |
| 119620-79330 | 16 | 22 |
| 119620-79340 | 16 | 23 |
| 119620-79350 | 16 | 24 |
| 119624-77351 | 16 | 29 |
| 119625-11880 | 4 | 26 |
| | 18 | 13 |
| 119626-77450 | 16 | 25 |
| 119626-77710 | 16 | 15 |
| 119629-49080 | 10 | 58 |
| 119640-01640 | 3 | 8 |
| 119640-61400 | 4 | 61 |
| 119640-92750 | 18 | 38 |
| 119802-11870 | 4 | 25 |
| | 18 | 12 |
| 119802-13680 | 6 | 6 |
| 119802-51680 | 11 | 63 |

| Parts No. | Fig. No. | Ref. No. |
|--------------|----------|----------|
| 119802-51690 | 11 | 64 |
| 119802-55710 | 14 | 25 |
| 119802-55730 | 14 | 26 |
| 119803-11340 | 4 | 15 |
| | 18 | 10 |
| 119852-51630 | 11 | 68 |
| 119852-51640 | 11 | 69 |
| 119852-51650 | 11 | 71 |
| 119940-77270 | 16 | 27 |
| 120130-22301 | 8 | 21 |
| 121027-11743 | 2 | 33 |
| 121254-77810 | 15 | 29 |
| 121256-44600 | 10 | 54 |
| 121450-42450 | 10 | 37 |
| 121450-44531 | 10 | 49 |
| 121470-44581 | 10 | 51 |
| 121520-34810 | 9 | 2 |
| 121550-49111 | 10 | 36 |
| 121750-59890 | 14 | 12 |
| 121850-21130 | 8 | 11 |
| 121850-21290 | 8 | 4 |
| 121850-21920 | 8 | 5 |
| 121850-49540 | 10 | 24 |
| | 18 | 27 |
| 121850-49550 | 10 | 26 |
| | 18 | 28 |
| 121850-49800 | 10 | 27 |
| 121850-77021 | 5 | 8 |
| | 18 | 18 |
| 123472-59120 | 13 | 26 |
| 123900-25060 | 7 | 9 |
| 123900-42470 | 10 | 14 |
| 123900-77510 | 15 | 21 |
| 123900-77520 | 15 | 22 |
| 123900-77540 | 15 | 24 |
| 123907-03100 | 4 | 55 |
| 123907-03110 | 4 | 56 |
| 123907-03120 | 4 | 57 |
| 123907-03140 | 4 | 58 |
| 123907-11280 | 4 | 35 |
| 123907-11550 | 4 | 3 |
| 123907-11601 | 13 | 25 |
| 123907-11820 | 4 | 21 |
| 123907-11830 | 4 | 20 |
| 123907-39500 | 9 | 15 |
| 123907-59540 | 14 | 14 |
| 123907-59550 | 14 | 15 |
| | 18 | 33 |
| 123907-59560 | 14 | 20 |
| 123951-77200 | 16 | 2 |

| Parts No. | Fig. No. | Ref. No. |
|--------------|----------|----------|
| 124160-01751 | 2 | 24 |
| | 4 | 50 |
| 124160-11340 | 4 | 16 |
| | 18 | 11 |
| 124160-11360 | 4 | 66 |
| 124240-01871 | 2 | 30 |
| 124240-01883 | 2 | 31 |
| | 18 | 8 |
| 124450-44550 | 10 | 53 |
| 124450-44560 | 10 | 50 |
| 124465-44950 | 10 | 38 |
| | 18 | 32 |
| 124722-59050 | 14 | 18 |
| 124766-59050 | 14 | 5 |
| | 9 | |
| 125301-79240 | 16 | 5 |
| 127410-21480 | 8 | 14 |
| 128401-77440 | 16 | 12 |
| 129001-91810 | 2 | 27 |
| | | 40 |
| 129004-55612 | 14 | 1 |
| 129005-59830 | 9 | 17 |
| 129008-61301 | 12 | 19 |
| 129052-77380 | 16 | 4 |
| 129052-77421 | 16 | 7 |
| 129052-79260 | 16 | 16 |
| 129052-79270 | 16 | 17 |
| 129054-77800 | 19 | 4 |
| 129054-77811 | 19 | 6 |
| 129054-77820 | 19 | 7 |
| 129054-77830 | 19 | 8 |
| 129100-01580 | 2 | 1 |
| | 3 | 1 |
| 129100-55690 | 14 | 24 |
| 129136-59110 | 14 | 10 |
| 129150-02450 | 7 | 4 |
| 129150-11230 | 4 | 38 |
| | | 42 |
| 129150-11750 | 4 | 19 |
| | | 39 |
| | | 43 |
| 129150-14200 | 7 | 1 |
| 129150-25920 | 7 | 13 |
| 129150-35153 | 9 | 4 |
| 129150-49080 | 10 | 56 |
| 129150-49100 | 10 | 55 |
| 129150-59120 | 13 | 27 |
| 129150-59131 | 13 | 30 |
| 129263-13210 | 6 | 4 |
| 129263-49750 | 14 | 17 |

| Parts No. | Fig. No. | Ref. No. |
|--------------|----------|----------|
| 129263-77941 | 11 | 122 |
| 129400-92450 | 18 | 34 |
| 129418-18320 | 6 | 3 |
| 129457-59010 | 14 | 4 |
| 129612-52100 | 14 | 22 |
| 129640-13580 | 6 | 21 |
| 129640-13590 | 6 | 20 |
| 129657-51590 | 11 | 58 |
| 129657-51600 | 11 | 59 |
| 129795-01900 | 16 | 1 |
| 129900-01200 | 1 | 27 |
| 129900-01250 | 1 | 4 |
| 129900-01740 | 2 | 26 |
| 129900-01850 | 2 | 38 |
| 129900-01870 | 2 | 39 |
| 129900-02020 | 1 | 6 |
| 129900-02341 | 1 | 32 |
| 129900-02410 | 1 | 9 |
| 129900-02931 | 1 | 24 |
| 129900-02941 | 1 | 35 |
| 129900-13251 | 6 | 5 |
| | 18 | 19 |
| 129900-14100 | 7 | 6 |
| 129900-21200 | 8 | 3 |
| 129900-23001 | 8 | 23 |
| 129900-23200 | 8 | 26 |
| 129900-23601 | 8 | 27 |
| 129900-23611 | 8 | 30 |
| 129900-23911 | 8 | 29 |
| 129900-25100 | 7 | 10 |
| 129900-32001 | 2 | 4 |
| 129900-32030 | 2 | 16 |
| | 9 | 5 |
| | 18 | 3 |
| 129900-32040 | 2 | 17 |
| | 18 | 4 |
| 129900-34800 | 9 | 1 |
| 129900-35000 | 9 | 6 |
| 129900-42020 | 10 | 1 |
| | 18 | 26 |
| 129900-49870 | 10 | 32 |
| | 18 | 30 |
| 129902-21000 | 8 | 1 |
| 129902-21580 | 8 | 12 |
| 129906-51580 | 11 | 56 |
| 129906-55700 | 14 | 23 |
| 129906-77300 | 16 | 28 |
| 129907-01331 | 1 | 28 |
| | 18 | 2 |
| 129907-03011 | 4 | 52 |

Parts No. Index

| Parts No. | Fig. No. | Ref. No. |
|--------------|----------|----------|
| 129907-03061 | 4 | 53 |
| 129907-03070 | 4 | 54 |
| 129907-07900 | 4 | 1 |
| 129907-11100 | 4 | 11 |
| 129907-11110 | 4 | 12 |
| 129907-11120 | 4 | 13 |
| 129907-11250 | 4 | 32 |
| 129907-11260 | 4 | 33 |
| 129907-11270 | 4 | 34 |
| 129907-11341 | 4 | 31 |
| 129907-11510 | 4 | 17 |
| 129907-11650 | 4 | 36 |
| 129907-11660 | 4 | 40 |
| 129907-11800 | 4 | 24 |
| 129907-11910 | 4 | 27 |
| 129907-11920 | 4 | 44 |
| 129907-11950 | 4 | 28 |
| 129907-12110 | 5 | 1 |
| | 18 | 16 |
| 129907-14400 | 7 | 2 |
| 129907-25900 | 7 | 16 |
| 129907-51560 | 11 | 53 |
| 129907-55801 | 14 | 2 |
| 129907-59140 | 14 | 13 |
| 129908-14581 | 7 | 3 |
| 129916-01790 | 3 | 6 |
| 129916-01800 | 2 | 37 |
| 129916-21610 | 8 | 7 |
| 129916-49530 | 10 | 23 |
| 129916-59020 | 11 | 129 |
| 129927-11320 | 4 | 51 |
| 129927-11700 | 4 | 4 |
| 129927-12100 | 5 | 3 |
| 129927-12150 | 5 | 2 |
| 129927-13100 | 6 | 2 |
| 129927-13150 | 6 | 1 |
| 129927-13800 | 6 | 9 |
| 129927-13810 | 6 | 10 |
| | 18 | 20 |
| 129927-13900 | 6 | 13 |
| 129927-13910 | 6 | 14 |
| | 18 | 21 |
| 129927-13920 | 6 | 15 |
| | 18 | 22 |
| 129927-22050 | 8 | 17 |
| 129927-22080 | 8 | 15 |
| 129927-39060 | 9 | 13 |
| 129927-42140 | 2 | 17 A |
| 129927-44900 | 10 | 21 |
| 129927-49610 | 10 | 39 |

| Parts No. | Fig. No. | Ref. No. |
|--------------|----------|----------|
| 129927-49620 | 10 | 43 |
| 129927-51250 | 11 | 137 |
| 129927-51390 | 11 | 20 A |
| 129927-51650 | 11 | 120 |
| 129927-51660 | 11 | 121 |
| 129927-51670 | 11 | 124 |
| 129927-53000 | 13 | 2 |
| 129927-59550 | 14 | 16 |
| 129927-59810 | 13 | 32 |
| 129927-59820 | 13 | 33 |
| 129927-59830 | 13 | 34 |
| 129927-59840 | 13 | 35 |
| 129927-75900 | 17 | 19 |
| 129927-77600 | 17 | 11 |
| | 20 | 20 |
| 129927-77680 | 17 | 12 |
| | | 21 |
| 129927-77910 | 19 | 13 |
| 129927-77920 | 19 | 14 |
| 129930-13201 | 6 | 18 |
| | 18 | 23 |
| 129933-11310 | 4 | 60 |
| | 18 | 15 |
| 129938-01510 | 2 | 3 |
| 129938-12520 | 5 | 13 |
| 129938-12630 | 5 | 15 |
| 129938-12640 | 5 | 19 |
| 129938-12660 | 5 | 18 |
| 129938-49800 | 10 | 20 |
| 129938-75080 | 17 | 1 |
| 129938-77800 | 19 | 1 |
| 129938-77810 | 19 | 11 |
| 129939-12621 | 5 | 14 |
| 129939-12630 | 5 | 16 |
| 129939-12640 | 5 | 17 |
| 129939-12650 | 5 | 20 |
| 129940-13500 | 6 | 19 |
| 129940-77010 | 15 | 1 |
| 129940-77100 | 15 | 2 |
| 129940-77130 | 15 | 5 |
| 129940-77140 | 15 | 6 |
| 129940-77150 | 15 | 7 |
| 129940-77160 | 15 | 8 |
| 129940-77170 | 15 | 9 |
| 129940-77180 | 15 | 10 |
| 129940-77190 | 15 | 11 |
| 129940-77200 | 15 | 12 |
| 129940-77210 | 15 | 13 |
| 129940-77220 | 15 | 14 |
| 129940-77230 | 15 | 15 |

| Parts No. | Fig. No. | Ref. No. |
|--------------|----------|----------|
| 129940-77240 | 15 | 16 |
| 129940-77250 | 15 | 17 |
| 129940-77260 | 15 | 18 |
| 129940-77270 | 15 | 19 |
| 129940-77280 | 15 | 20 |
| 129948-12660 | 5 | 21 |
| 129948-21610 | 8 | 8 |
| 129948-42100 | 10 | 2 |
| 129948-42101 | 10 | 2 -1 |
| 129948-42240 | 10 | 15 |
| 129948-44760 | 10 | 17 |
| 129951-01620 | 3 | 2 |
| 129953-01710 | 3 | 7 |
| 129953-25300 | 7 | 15 |
| 129953-44710 | 10 | 16 |
| 129957-59120 | 14 | 6 |
| 129960-21640 | 8 | 9 |
| 129961-59110 | 14 | 11 |
| 129961-59310 | 14 | 8 |
| 144626-51090 | 11 | 9 |
| 158552-51570 | 11 | 54 |
| 158552-51580 | 11 | 57 |
| 158552-51670 | 11 | 125 |
| 158552-51781 | 11 | 96 |
| 158552-52100 | 11 | 127 |
| 158552-52310 | 11 | 102 |
| 158552-52400 | 11 | 103 |
| 158552-52500 | 11 | 128 |
| 158553-51670 | 11 | 62 |
| 158553-51680 | 11 | 74 |
| 158553-61780 | 12 | 23 |
| 158557-51570 | 11 | 55 |
| 158557-61720 | 12 | 22 |
| 158563-51150 | 7 | 17 |
| | 11 | 12 |
| 158563-51281 | 11 | 19 |
| | | 20 |
| 158563-51330 | 11 | 30 |
| 158600-51270 | 11 | 18 |
| 158601-51550 | 11 | 52 |
| 158601-51650 | 11 | 123 |
| 158601-51770 | 11 | 95 |
| 158601-51790 | 11 | 97 |
| 171051-01921 | 1 | 5 |
| 171064-44510 | 10 | 47 |
| 175339-79700 | 4 | 62 |
| 185100-50070 | 19 | 5 |
| 194990-22130 | 19 | 2 |
| 22117-100000 | 6 | 22 |
| 22190-080002 | 9 | 18 |

| Parts No. | Fig. No. | Ref. No. |
|--------------|----------|----------|
| 22190-080002 | 9 | 20 |
| | | 22 |
| | 14 | 21 |
| | 18 | 25 |
| 22190-120002 | 10 | 29 |
| | 11 | 98 |
| | | 105 |
| | | 130 |
| | 18 | 29 |
| 22190-180002 | 11 | 99 |
| 22190-220002 | 3 | 10 |
| | 18 | 9 |
| 22217-050000 | 11 | 131 |
| 22217-100000 | 6 | 23 |
| 22217-180000 | 7 | 18 |
| | 11 | 106 |
| 22252-000300 | 8 | 22 |
| 22312-050140 | 11 | 107 |
| 22351-050010 | 11 | 108 |
| 22351-060012 | 1 | 10 |
| 22512-070140 | 7 | 7 |
| | 8 | 6 |
| 22857-500100 | 4 | 63 |
| | | 64 |
| 22877-500080 | 17 | 14 |
| | | 23 |
| 23065-070225 | 10 | 52 |
| 23080-012000 | 10 | 42 |
| | | 46 |
| 23414-080000 | 10 | 33 |
| | 18 | 31 |
| 23414-120000 | 12 | 24 |
| 23857-030000 | 9 | 19 |
| 23857-060000 | 11 | 132 |
| 23875-030000 | 10 | 30 |
| 23876-020000 | 4 | 8 |
| 23876-030000 | 1 | 11 |
| | | 12 |
| | | 13 |
| | 4 | 9 |
| 23887-120002 | 11 | 100 |
| | 12 | 25 |
| 24311-000070 | 2 | 18 |
| | 11 | 109 |
| | 18 | 5 |
| | 19 | 9 |
| 24311-000120 | 4 | 29 |
| | | 67 |
| | 18 | 14 |
| 24311-000160 | 14 | 27 |

Parts No. Index

| Parts No. | Fig. No. | Ref. No. | |
|--------------|--------------|----------|----|
| 24311-000320 | 2 | 25 | |
| | | 34 | |
| | 4 | 68 | |
| | 18 | 7 | |
| | 14 | 28 | |
| | 12 | 26 | |
| | 8 | 10 | |
| | 18 | 24 | |
| | 2 | 19 | |
| | 18 | 6 | |
| 24351-030750 | 2 | 19 | |
| | 18 | 6 | |
| 24356-010200 | 11 | 65 | |
| | | 110 | |
| 24356-020210 | 11 | 111 | |
| 24372-000150 | 11 | 66 | |
| 26014-080252 | 16 | 33 | |
| 26023-040202 | 19 | 10 | |
| 26106-060102 | 11 | 112 | |
| 26106-060122 | 4 | 65 | |
| | 11 | 133 | |
| | 19 | 12 | |
| 26106-060202 | 10 | 31 | |
| 26106-060252 | 12 | 27 | |
| 26106-060302 | 10 | 12 | |
| 26106-060352 | 11 | 113 | |
| 26106-080122 | 3 | 11 | |
| | 9 | 11 | |
| | | 21 | |
| | | 23 | |
| | 10 | 34 | |
| 26106-080162 | 2 | 20 | |
| | | 28 | |
| | | 32 | |
| | | 41 | |
| | 4 | 2 | |
| | 7 | 8 | |
| | 10 | 18 | |
| | 26106-080202 | 2 | 21 |
| | 11 | 138 | |
| | 26106-080252 | 12 | 28 |
| 26106-080302 | 11 | 139 | |
| | 14 | 3 | |
| 26106-080402 | 2 | 29 | |
| | | 42 | |
| | 4 | 46 | |
| | 5 | 11 | |
| 26106-080452 | 2 | 22 | |
| | 5 | 5 | |
| 26106-080552 | 7 | 14 | |
| | 10 | 13 | |
| | 16 | 34 | |

| Parts No. | Fig. No. | Ref. No. |
|--------------|----------|----------|
| 26106-080602 | 4 | 47 |
| | | 48 |
| | 10 | 35 |
| 26106-080802 | 5 | 6 |
| 26106-080902 | 5 | 12 |
| 26106-081004 | 16 | 31 |
| 26106-100302 | 6 | 11 |
| | | 16 |
| 26106-100452 | 10 | 19 |
| 26106-100652 | 6 | 24 |
| 26106-100952 | 6 | 17 |
| 26116-120302 | 15 | 31 |
| 26206-100352 | 3 | 5 |
| 26216-060202 | 5 | 4 |
| 26216-100302 | 2 | 15 |
| 26226-080222 | 4 | 45 |
| 26306-080002 | 4 | 49 |
| | 6 | 8 |
| | | 12 |
| | 16 | 32 |
| 26306-100002 | 2 | 23 |
| | 16 | 26 |
| 26366-060002 | 13 | 36 |
| 26450-100452 | 11 | 116 |
| 26706-100002 | 6 | 25 |
| 26716-050002 | 11 | 134 |
| 26776-180002 | 7 | 19 |
| | 11 | 117 |
| 27241-160000 | 11 | 135 |
| 27241-300000 | 1 | 14 |
| 27241-400000 | 4 | 10 |
| 27310-070001 | 4 | 22 |
| 28110-100120 | 18 | 39 |
| 28110-140170 | 18 | 40 |
| 729900-02801 | 1 | 29 |
| 729907-01559 | 2 | 35 |
| 729927-01560 | 1 | 1 |
| 729927-22900 | 8 | 32 |
| 729927-22950 | 8 | 34 |
| 729927-53100 | 13 | 1 |
| 729927-92710 | 18 | 1 |
| 729938-51320 | 11 | 1 |
| 977770-1207F | 18 | 35 |
| X2240610100 | 15 | 23 |
| X9490561001 | 16 | 3 |

| Parts No. | Fig. No. | Ref. No. |
|-----------|----------|----------|
|-----------|----------|----------|

| Parts No. | Fig. No. | Ref. No. |
|-----------|----------|----------|
|-----------|----------|----------|