

OCD10-M99400EN

PREFACE

1. This parts catalog is the 1st edition of 4TNV98-ZQTB for Takeuchi Mfg. Co., Ltd.

Pub.No. : 000Y00D9940

Published : December,2007

2. Model name

Engine model	Vehicle		Vehicle made by
	Products	Model name	
4TNV98-ZQTB	Excavator	TB175	Takeuchi Mfg. Co., Ltd.

Directions for the Parts Catalog.

- The parts stipulated in this Parts Catalog are not necessarily standard equipped parts.
- Parts may change without prior notice.
- The following is an example of the Parts Catalog format.

OCF10-G21601		29. FUEL INJECTION PUMP(W/BOOST)									
REF.	LEV.	PARTS NO.	DESCRIPTION	(A)	(B)	(C)	(D)	(E)	(F)	I	R
1	1	729595-51390	FUEL INJECTION PUMP	1	1	1	1	1			1
1-1	1	729595-51391	FUEL INJECTION PUMP	1	1	1	1	1		N	1
		(A=E00185) (B=E00200)									
3	2	26022-060162	SCREW M 6X 16	9	9	9	9	9			
3-1	2	26022-060162	SCREW M 6X 16	4	4	4	4	4		K	
		(A=E00156) (B=E00156) (C=E00156) (D=E00156) (E=E00156)									
4	2	129470-51040	CAMSHAFT	1	1	1	1	1			
5	2	122710-51050	BEARING, ROLLER	2	2	2	2	2			
6	2	129470-51060	RETAINER	1	1	1	1	1			

Remarks
(1) BOOST COMPEMSATOR TYPE. OPTIONAL PART, TO E/#00155,(4JH-DT, 4JH-DTZ)

① Ref. No.

The Ref. No. listed may not be in accordance with the illustration Ref. No.

(Ex.) Illustration No. 1 List Ref No. 1 (Before change) → 1-1 (After change)

For interchangeable symbols N, R and K, illustrations for new parts may be abbreviated.

② Lev. (Level)

Level indication

The numbers below indicate the level of relativity towards the main part.

1 ---- Main parts (Assembly parts)

2 ---- Sub component included in " 1 ".

3 ---- Sub component included in " 2 ".

Note) Parts that are not for sale are partially illustrated but not listed.

③ Change Mark

The "I" indicates parts that were newly changed.

④ Interchangeability Mark

When a part change takes place, one of the following interchangeability symbols is indicated beside the part.

Symbol	Interchangeability	Contents note
N	Old $\begin{matrix} \leftarrow \text{Yes} \\ \text{No} \rightarrow \end{matrix}$ New	New Part is interchangeable for Old Part but Old Part is not interchangeable for New Part.
Q	Old $\begin{matrix} \text{No} \leftarrow \\ \text{Yes} \rightarrow \end{matrix}$ New	New Part is not interchangeable for Old Part but Old Part is interchangeable for New Part.
R	Old $\begin{matrix} \leftarrow \text{Yes} \\ \text{Yes} \rightarrow \end{matrix}$ New	New/ Old Parts are both interchangeable.
S	Old $\begin{matrix} \text{No} \leftarrow \\ \text{No} \rightarrow \end{matrix}$ New	New/ Old Parts are both not interchangeable.
W		Part discontinued.
Z		Part newly added.
F		Not interchangeable by a single part but interchangeable together with related parts.
K		Changes only for used parts quantities.

⑤ Effective Machine No.

When a part changes, the effective Machine No. will be indicated in the (A)-(F) column.

Product Symbol	Product No.	Product Symbol	Product No.
C	Clutch No. Compressor No.	F	Machine No. (Agricultural Equip.)
D	Drive No.	M	Machine No.
E	Engine No.	Note 1)	Date

Note 1) A date may follow the symbol. (Ex.) 1996.01

Note 2) " XXX " are for parts that could not be predicted or for engine models that could not be identified.

Note 3) (A=E00185) is the E (Engine Serial Number) for the column (A) model (in this case 4JH-DT) after the parts design change.

⑥ Remarks Mark

Figures or alphabets (symbols) are entered in the remarks column.

The comments (remarks) on parts that are indicated at the bottom of the illustration are the same symbols as those stated above.

Contents

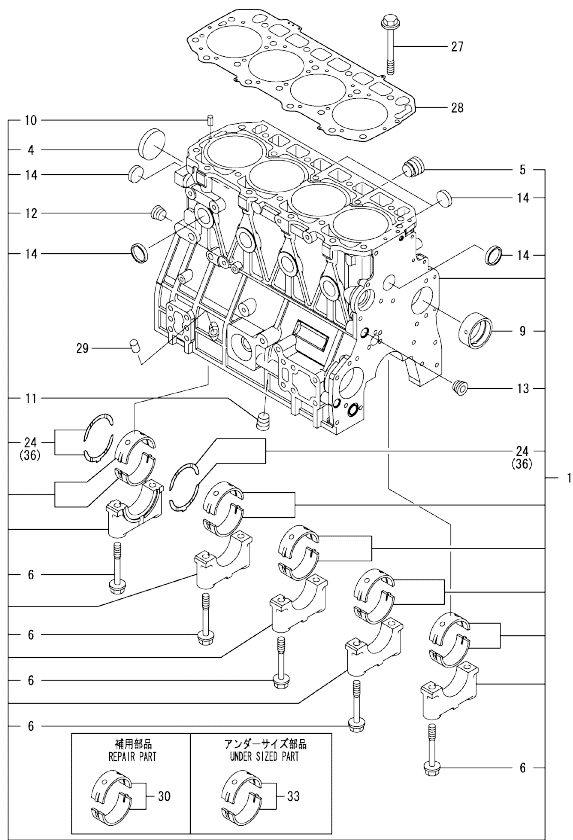
0CD10-M99400

Fig. No.	Fig. Name	Fig. No.	Fig. Name
4TNV98-ZQTB			
1.	CYLINDER BLOCK		
2.	GEAR HOUSING		
3.	FLYWHEEL HOUSING & OIL SUMP		
4.	CYLINDER HEAD & BONNET		
5.	SUCTION MANIFOLD & AIR CLEANER		
6.	EXHAUST MANIFOLD & SILENCER		
7.	CAMSHAFT & DRIVING GEAR		
8.	CRANKSHAFT & PISTON		
9.	LUB.OIL SYSTEM		
10.	COOLING WATER SYSTEM		
11.	FUEL INJECTION PUMP		
12.	GOVERNOR		
13.	FUEL INJECTION VALVE		
14.	FUEL LINE		
15.	STARTING MOTOR		
16.	GENERATOR		
17.	ELECTRONIC CONTROL UNIT (ECU)		
18.	GASKET SET		

Fig.1. CYLINDER BLOCK

(A)=4TNV98-ZQTB
(B)=
(C)=

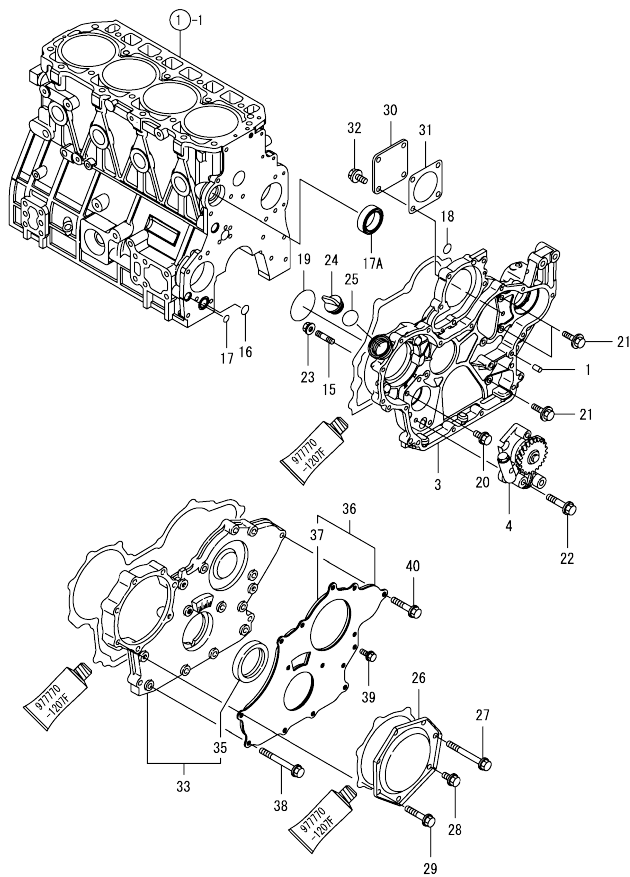
(D)=
(E)=
(F)=



No.	Lev.	Parts No.	Description	Q'ty						I	R
				(A)	(B)	(C)	(D)	(E)	(F)		
1	1	729927-01560	BLOCK ASSY, CYLINDER	1							
4	2	129900-01250	PLUG, DISH TYPE 55	1							
5	2	171051-01921	PLUG, NPTF1	1							
6	2	129900-02020	BOLT, METAL CAP	10							
9	2	129900-02410	BUSH, CAMSHAFT	1							
10	2	22351-060012	PIN, SPRING 6.0X12	2							
11	2	23876-030000	PLUG, R03	1							
12	2	23876-030000	PLUG, R03	1							
13	2	23876-030000	PLUG, R03	1							
14	2	27241-300000	PLUG 30	8							
24	2	129900-02931	BEARING ASSY, THRUST	2							
27	1	129900-01200	BOLT, CYLINDER HEAD	18							
28	1	129907-01331	GASKET, HEAD	1							
29	1	119309-01810	PLUG	1							
30	1	729900-02801	BEARING, MAIN	5							1
33	1	129900-02341	BEARING ASSY, MAIN	5							2
36	1	129900-02941	BEARING, THRUST 0.25	2							3

Remarks
(1) REPAIR PART.
(2) UNDER-SIZED(U.S=0.25)PART.
(3) OVER-SIZED(O.S=0.25)PART.

Fig.2. GEAR HOUSING

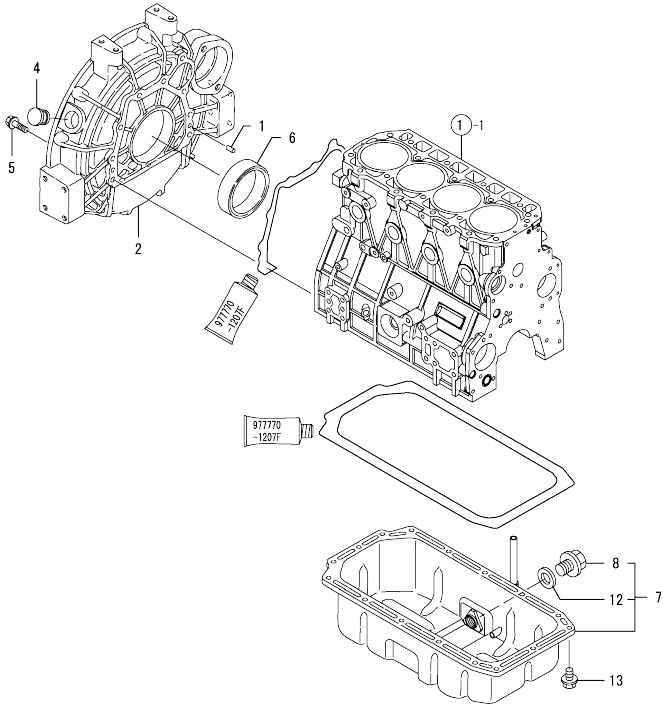


(A)=4TNV98-ZQTB
(B)=
(C)=

(D)=
(E)=
(F)=

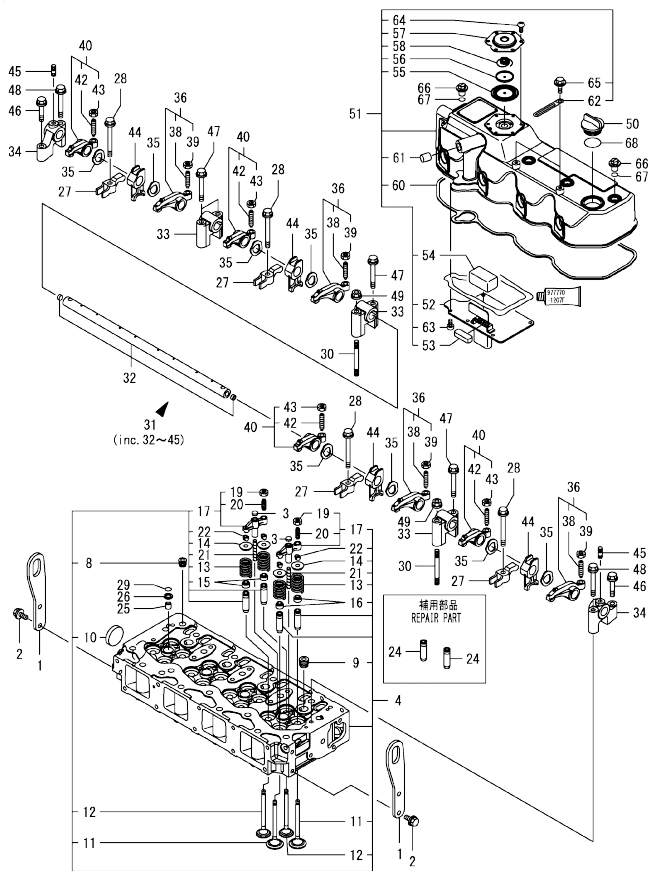
No.	Lev.	Parts No.	Description	Qty						I	R
				(A)	(B)	(C)	(D)	(E)	(F)		
1	1	129100-01580	PIN, PARALLEL 8X16	4							
3	1	129907-01500	CASE, GEAR	1							
4	1	129900-32001	PUMP ASSY, OIL	1							
15	1	26216-100302	STUD, M10X 30	4							
16	1	129900-32030	O-RING, P20	1							
17	1	129900-32040	O-RING, P14	1							
17A	1	129927-42140	GASKET, PUMP OUTLET	1							W
(A=E137495)											
18	1	24311-000070	O-RING, 1AP7.0	1							
19	1	24351-030750	O-RING, 1A3075	1							
20	1	26106-080162	BOLT, M8X 16 PLATED	1							
21	1	26106-080202	BOLT, M8X 20 PLATED	3							
22	1	26106-080452	BOLT, M8X 45 PLATED	3							
23	1	26306-100002	NUT, M10	4							
24	1	124160-01751	CAP, FILLER	1							
25	1	24311-000320	O-RING, 1AP32.0	1							
26	1	129900-01740	COVER	1							
27	1	129001-91810	BOLT, M8X70	1							
28	1	26106-080162	BOLT, M8X 16 PLATED	1							
29	1	26106-080402	BOLT, M8X 40 PLATED	5							
30	1	124240-01871	COVER, PUMP	1							
31	1	124240-01883	GASKET	1							
32	1	26106-080162	BOLT, M8X 16 PLATED	4							
33	1	729907-01559	COVER ASSY, GEAR CASE	1							
35	2	129916-01800	SEAL, OIL	1							
36	1	129900-01850	COVER ASSY, GEAR CASE	1							
37	2	129900-01870	SPONGE, GEAR CASE	1							
38	1	129001-91810	BOLT, M8X70	6							
39	1	26106-080162	BOLT, M8X 16 PLATED	3							
40	1	26106-080402	BOLT, M8X 40 PLATED	5							

Fig.3. FLYWHEEL HOUSING & OIL SUMP



No.	Lev.	Parts No.	Description	Q'ty					
				(A)	(B)	(C)	(D)	(E)	(F)
1	1	129100-01580	PIN, PARALLEL 8X16	2					
2	1	129951-01620	HOUSING, FLYWHEEL	1					
4	1	119000-01840	PLUG, RUBBER	1					
5	1	26206-100352	BOLT, M10X 35 PLATED	9					
6	1	129916-01790	SEAL, D115/95XT11	1					
7	1	129953-01730	SUMP ASSY, OIL	1					
8	2	119640-01640	PLUG, DRAIN M22	1					
12	2	22190-220002	WASHER, SEAL 22	1					
13	1	26106-080122	BOLT, M8X 12 PLATED	16					

Fig.4. CYLINDER HEAD & BONNET



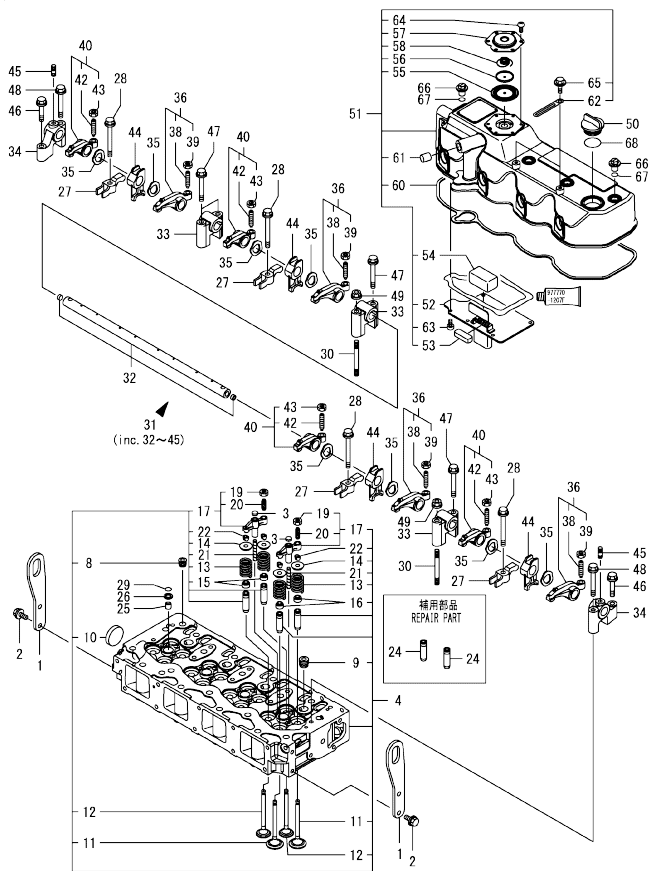
(A)=4TNV98-ZQTB
(B)=
(C)=

(D)=
(E)=
(F)=

No.	Lev.	Parts No.	Description	Q'ty						I	R
				(A)	(B)	(C)	(D)	(E)	(F)		
1	1	129907-07900	LIFTER, ENGINE	2							
2	1	26106-080162	BOLT, M8X 16 PLATED	4							
3	1	123907-11550	SEAT, VALVE BRIDGE	8							
4	1	129927-11700	HEAD ASSY, CYLINDER	1							
8	2	23876-020000	PLUG, R02	1							
9	2	23876-030000	PLUG, R03	4							
10	2	27241-400000	PLUG, 40	1							
11	2	129907-11100	VALVE, SUCTION	8							
12	2	129907-11110	VALVE, EXHAUST	8							
13	2	129907-11120	SPRING, VALVE	16							
14	2	119620-11180	RETAINER, SPRING	16							
15	2	119803-11340	SEAL, VALVE STEM	8							
16	2	124160-11340	SEAL, VALVE STEM	8							
17	2	129907-11510	BRIDGE ASSY, VALVE	8							
19	3	129150-11750	NUT, M8	8							
20	3	123907-11830	ADJUSTER	8							
21	2	123907-11820	GUIDE, BRIDGE	8							
22	2	27310-070001	COTTER, 7	16							
24	1	129907-11800	GUIDE, VALVE	16							1
25	1	119802-11870	PROTECTOR, NOZZLE	4							
26	1	119625-11880	SEAT, NOZZLE	4							
27	1	129907-11910	RETAINER, NOZZLE	4							
28	1	129907-11950	BOLT, M8X75	4							
29	1	24311-000120	O-RING, 1AP12.0	4							
30	1	119593-11301	BOLT, STUD M8X80	2							
31	1	129907-11341	SHAFT ASSY, ROCKER	1							
32	2	129907-11250	SHAFT, ROCKER ARM	1							
33	2	129907-11260	SUPPORT, ROCKER ARM	3							
34	2	129907-11270	SUPPORT, ROCKER ARM	2							
35	2	123907-11280	WASHER	8							
36	2	129907-11650	ARM ASSY, ROCKER	4							
38	3	129150-11230	SCREW, VALVE ADJUST	4							
39	3	129150-11750	NUT, M8	4							
40	2	129907-11660	ARM ASSY, ROCKER	4							
42	3	129150-11230	SCREW, VALVE ADJUST	4							
43	3	129150-11750	NUT, M8	4							
44	2	129907-11920	RETAINER, NOZZLE	4							
45	2	26226-080222	STUD, M8X 22	2							
46	1	26106-080402	BOLT, M8X 40 PLATED	2							
47	1	26106-080602	BOLT, M8X 60 PLATED	4							
48	1	26106-080602	BOLT, M8X 60 PLATED	2							
49	1	26306-080002	NUT, M8	2							
50	1	124160-01751	CAP, FILLER	1							
51	1	129927-11320	BONNET ASSY, HEAD	1							
52	2	129907-03011	PLATE, BAFFLE	1							
53	2	129907-03061	BAFFLE, BREATHER	1							
54	2	129907-03070	BAFFLE, BREATHER	1							
55	2	123907-03100	DIAPHRAGM	1							
56	2	123907-03110	PLATE	1							
57	2	123907-03120	PLATE, BREATHER	1							
58	2	123907-03140	SPRING, DIAPHRAGM	1							

Remarks
(1) REPAIR PART.

Fig.4. CYLINDER HEAD & BONNET



(A)=4TNV98-ZQTB
(B)=
(C)=

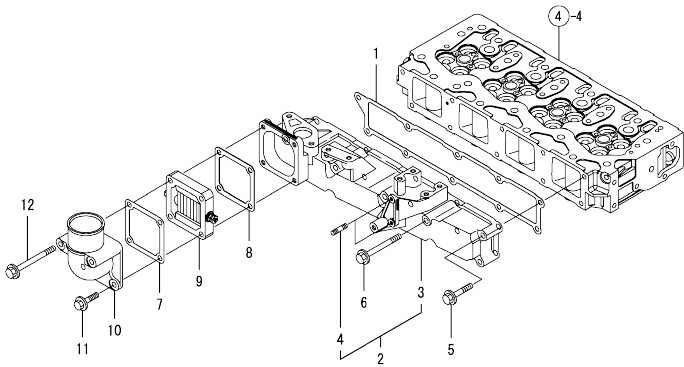
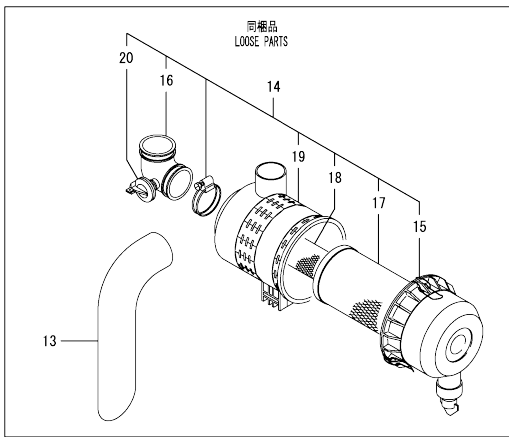
(D)=
(E)=
(F)=

No.	Lev.	Parts No.	Description	Q'ty						I	R
				(A)	(B)	(C)	(D)	(E)	(F)		
60	2	129933-11310	GASKET, BONNET	1							
61	2	119640-61400	PLUG	1							
62	2	175339-79700	CLIP	2							
63	2	22857-500100	SCREW, 5X10	6							
64	2	22857-500100	SCREW, 5X10	6							
65	2	26106-060122	BOLT, M6X 12 PLATED	2							
66	1	124160-11360	KNOB	4							
67	1	24311-000120	O-RING, 1AP12.0	4							
68	1	24311-000320	O-RING, 1AP32.0	1							

Remarks
(1) REPAIR PART.

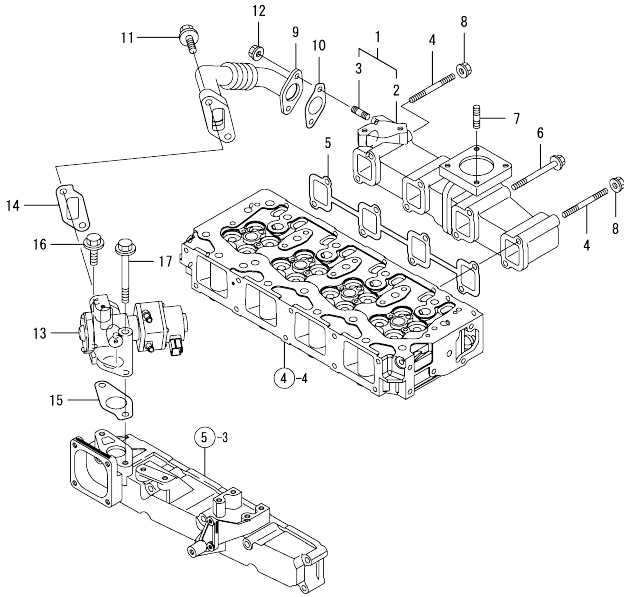
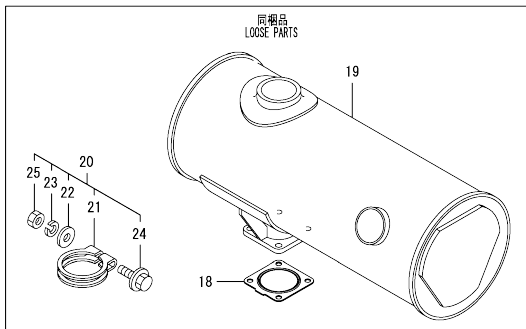
N:Old $\frac{100}{100}$ New, Q:Old $\frac{100}{100}$ New, R:Old $\frac{100}{100}$ New, S:Old $\frac{100}{100}$ New, W:Add, Z:Discontinued, F:Interchangeable by set, K:Q'ty Change
Copyright (C) YANMAR GLOBAL CS CO., LTD. All Rights Reserved.

Fig.5. SUCTION MANIFOLD & AIR CLEANER



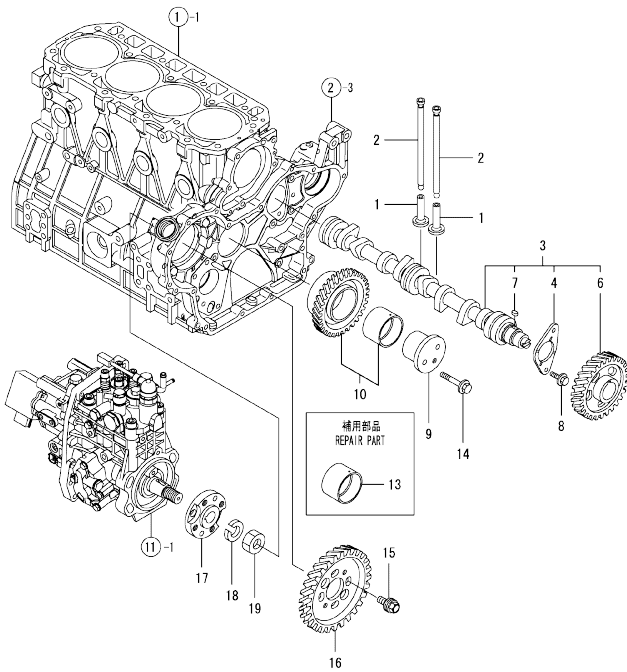
No.	Lev.	Parts No.	Description	Q'ty						I	R	
				(A)	(B)	(C)	(D)	(E)	(F)			
1	1	129907-12110	GASKET, MANIFOLD	1								
2	1	129927-12150	MANIFOLD ASSY,INTAKE	1								
3	2	129927-12100	MANIFOLD, AIR INTAKE	1								
4	2	26216-060202	STUD, M6X 20	2								
5	1	26106-080452	BOLT, M8X 45 PLATED	6								
6	1	26106-080802	BOLT, M8X 80 PLATED	4								
7	1	119129-77020	GASKET	1								
8	1	121850-77021	GASKET, AIR HEATER	1								
9	1	119005-77051	HEATER, AIR	1								
10	1	119129-77520	BEND	1								
11	1	26106-080402	BOLT, M8X 40 PLATED	2								
12	1	26106-080902	BOLT, M8X 90 PLATED	2								
13	1	129953-12250	HOSE, AIR INTAKE	1								
14	1	129938-12510	CLEANER ASSY, AIR	1								
15	2	129938-12610	HOUSING, CLEANER	1								
16	2	129938-12620	MANIFOLD, AIR INTAKE	1								
17	2	129939-12621	ELEMENT	1								
18	2	129939-12630	ELEMENT	1								
19	2	129939-12640	BRACKET	1								
20	2	129948-12660	INDICATOR, CLEANER	1								

Fig.6. EXHAUST MANIFOLD & SILENCER



No.	Lev.	Parts No.	Description	Q'ty						I	R
				(A)	(B)	(C)	(D)	(E)	(F)		
1	1	129927-13150	MANIFOLD ASSY, EXH.	1							
2	2	129927-13100	MANIFOLD, EXHAUST	1							
3	2	129418-18320	BOLT, STUD M8X20	2							
4	1	129263-13210	BOLT, STUD M8X90	2							
5	1	129900-13251	GASKET, EXH.MANIFOLD	1							
6	1	119802-13680	BOLT, M8X90 10.9T	6							
7	1	119131-18320	BOLT, STUD M8X22	4							
8	1	26306-080002	NUT, M8	2							
9	1	129927-13800	PIPE ASSY, EGR	1							
10	1	129927-13810	GASKET	1							
11	1	26106-100302	BOLT, M10X 30 PLATED	2							
12	1	26306-080002	NUT, M8	2							
13	1	129927-13900	VALVE, EGR	1							
14	1	129927-13910	GASKET, EGR	1							
15	1	129927-13920	GASKET, EGR	1							
16	1	26106-100302	BOLT, M10X 30 PLATED	1							
17	1	26106-100952	BOLT, M10X 95 PLATED	1							
18	1	129930-13201	GASKET, SILENCER	2							
19	1	129940-13500	SILENCER	1							
20	1	129640-13590	CLAMP ASSY	1							
21	2	129640-13580	CLAMP	1							
22	2	22117-100000	WASHER, 10	1							
23	2	22217-100000	WASHER, SPRING 10	1							
24	2	26106-100652	BOLT, M10X 65 PLATED	1							
25	2	26706-100002	NUT, M10	1							

Fig.7. CAMSHAFT & DRIVING GEAR



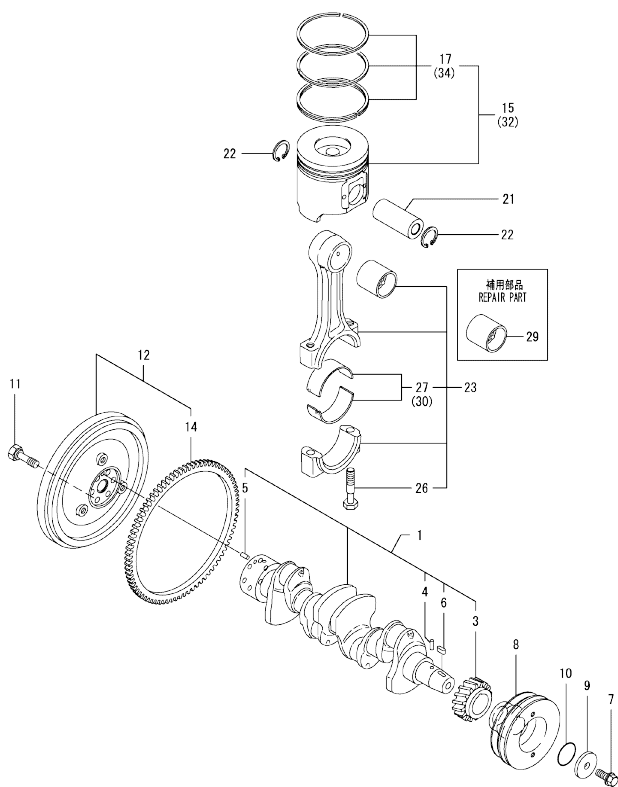
(A)=4TNV98-ZQTB
(B)=
(C)=

(D)=
(E)=
(F)=

No.	Lev.	Parts No.	Description	Q'ty						I	R
				(A)	(B)	(C)	(D)	(E)	(F)		
1	1	129150-14200	TAPPET	8							
2	1	129907-14400	PUSH-ROD	8							
3	1	129908-14581	CAMSHAFT ASSY	1							
4	2	129150-02450	BEARING, THRUST	1							
6	2	129900-14100	GEAR, CAMSHAFT	1							
7	2	22512-070140	KEY, 7X 14	1							
8	1	26106-080162	BOLT, M8X 16 PLATED	2							
9	1	123900-25060	SHAFT, IDLE GEAR	1							
10	1	129900-25100	GEAR ASSY, IDLE	1							
13	1	129150-25920	BUSH, IDLE GEAR	1							1
14	1	26106-080552	BOLT, M8X 55 PLATED	3							
15	1	129953-25300	BOLT	4							
16	1	129907-25900	GEAR, PUMP	1							
17	1	158563-51150	FLANGE	1							
18	1	22217-180000	WASHER, SPRING 18	1							
19	1	26776-180002	NUT, LOCK M18	1							

Remarks
(1) REPAIR PART.

Fig.8. CRANKSHAFT & PISTON



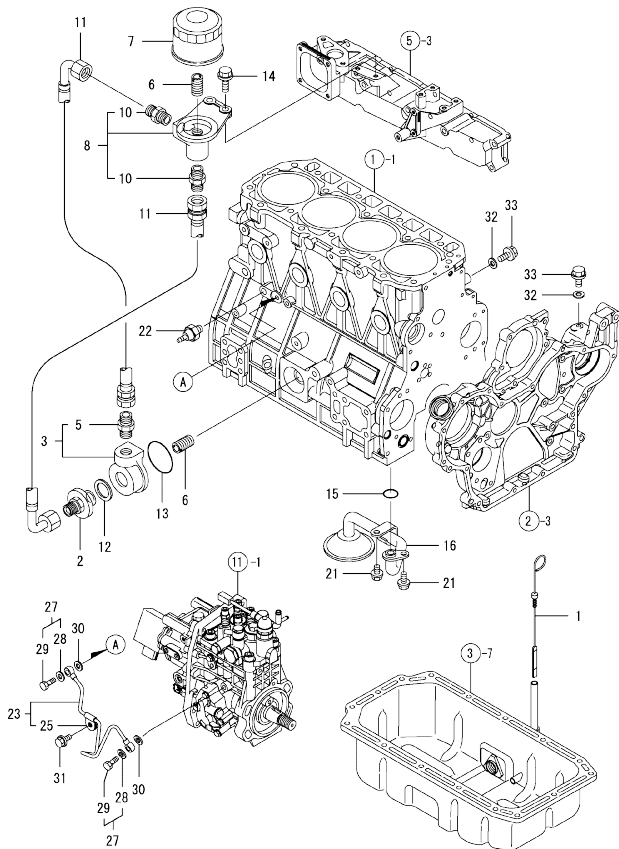
(A)=4TNV98-ZQTB
(B)=
(C)=

(D)=
(E)=
(F)=

No.	Lev.	Parts No.	Description	Q'ty						I	R
				(A)	(B)	(C)	(D)	(E)	(F)		
1	1	129902-21000	CRANKSHAFT ASSY	1							
3	2	129900-21200	GEAR, CRANKSHAFT	1							
4	2	121850-21290	PIN	1							
5	2	121850-21920	PIN, PARALLEL 10X22	1							
6	2	22512-070140	KEY, 7X 14	1							
7	1	129916-21610	BOLT	1							
8	1	129948-21610	V-PULLEY, CRANKSHAFT	1							
9	1	129960-21640	WASHER	1							
10	1	24341-000530	O-RING, 1AS53.0	1							
11	1	121850-21130	BOLT, FLYWHEEL	6							
12	1	129902-21580	FLYWHEEL ASSY	1							
14	2	127410-21480	GEAR, RING Z=129	1							
15	1	129927-22080	PISTON ASSY	4							
17	2	129927-22050	RING SET, PISTON	4							
21	1	120130-22301	PIN, PISTON	4							
22	1	22252-000300	RING, 30	8							
23	1	129900-23001	ROD ASSY, CONNECTING	4							
26	2	129900-23200	BOLT, CONNECTING ROD	8							
27	2	129900-23601	BEARING, CRANK PIN	4							
29	1	129900-23911	BEARING, PISTON PIN	4							1
30	1	129900-23611	BEARING ASSY, 0.25US	4							2
32	1	729927-22900	PISTON ASSY, 0.25 OS	4							3
34	2	729927-22950	RING SET, 0.25 OS	4							3

Remarks
(1) REPAIR PART.
(2) UNDER-SIZED(U.S=0.25)PART.
(3) OVER-SIZED(O.S=0.25)PART.

Fig.9. LUB.OIL SYSTEM



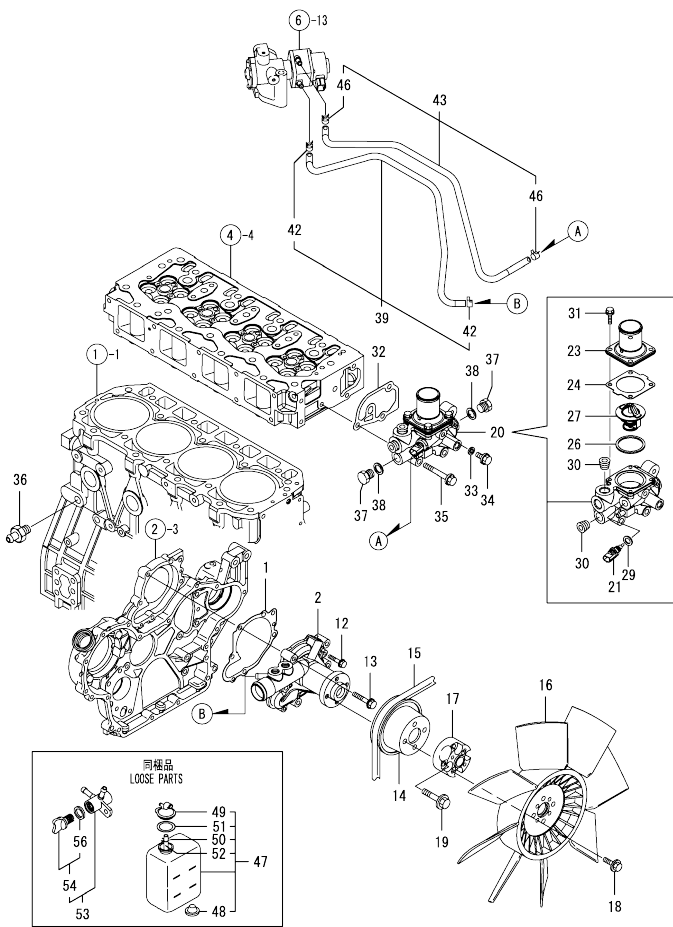
(A)=4TNV98-ZQTB
(B)=
(C)=

(D)=
(E)=
(F)=

No.	Lev.	Parts No.	Description	Q'ty						I	R
				(A)	(B)	(C)	(D)	(E)	(F)		
1	1	119812-34800	DIPSTICK	1							
2	1	129953-35110	RETAINER, CASE	1							
3	1	129953-35121	CASE ASSY	1							
5	2	129953-39500	ADAPTER, R-G1/2	1							
6	1	119000-35140	BOLT, STUD FILTER	2							
7	1	129150-35153	FILTER ASSY, D80X80L	1							1
8	1	129938-35200	BRACKET ASSY	1							
10	2	129953-39500	ADAPTER, R-G1/2	2							
11	1	129953-39101	HOSE ASSY, OIL	2							
12	1	22190-300002	WASHER, SEAL 30	1							
13	1	24321-000600	O-RING, 1AG60.0	1							
14	1	26106-080252	BOLT, M8X 25 PLATED	2							
15	1	129900-32030	O-RING, P20	1							
16	1	129900-35000	PIPE ASSY, OIL INLET	1							
21	1	26106-080122	BOLT, M8X 12 PLATED	2							
22	1	114250-39450	SWITCH, HYDRAULIC	1							
23	1	129927-39060	PIPE ASSY, OIL	1							
25	2	123907-39500	RETAINER, PIPE	1							
27	1	129005-59830	BOLT ASSY, JOINT M8	2							
28	2	22190-080002	WASHER, SEAL 6	2							
29	2	23857-030000	BOLT, JOINT 3	2							
30	1	22190-080002	WASHER, SEAL 6	2							
31	1	26106-080122	BOLT, M8X 12 PLATED	1							
32	1	22190-080002	WASHER, SEAL 6	2							
33	1	26106-080122	BOLT, M8X 12 PLATED	2							

Remarks
(1) REPAIR PART.

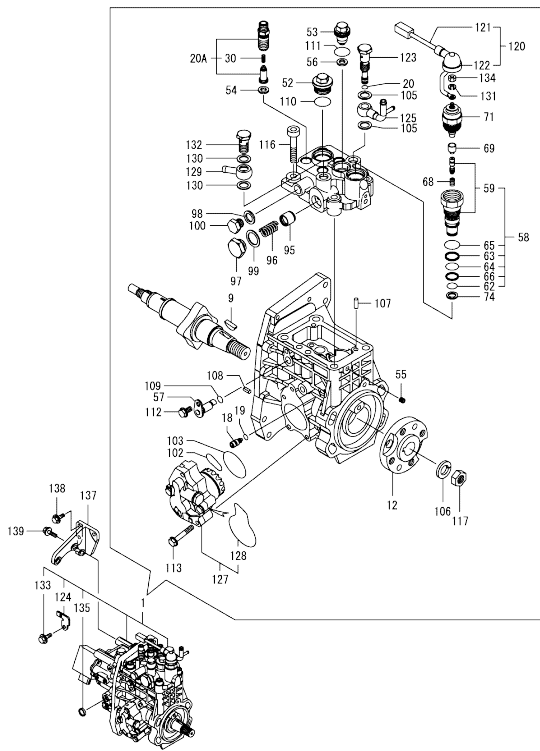
Fig.10. COOLING WATER SYSTEM



No.	Lev.	Parts No.	Description	Q'ty						I	R
				(A)	(B)	(C)	(D)	(E)	(F)		
1	1	129900-42020	GASKET, WATER PUMP	1							
2	1	129948-42100	PUMP ASSY, WATER	1							
2-1	1	129948-42101	PUMP ASSY, CW	1							N
(A=E178391)											
12	1	26106-060302	BOLT, M6X 30 PLATED	2							
13	1	26106-080552	BOLT, M8X 55 PLATED	5							
14	1	123900-42470	V-PULLEY, C.W.PUMP	1							
15	1	25153-004500	V-BELT, B45	1							
16	1	129953-44710	FAN, COOLING D=460	1							
17	1	129948-44760	SPACER, FAN	1							
18	1	26106-080162	BOLT, M8X 16 PLATED	4							
19	1	26106-100452	BOLT, M10X 45 PLATED	4							
20	1	129938-49800	CASE ASSY,THERMOSTAT	1							
21	2	129927-44900	SENSOR, WATER TEMP.	1							
23	2	129916-49530	COVER, THERMOSTAT	1							
24	2	121850-49540	GASKET, THERMOSTAT	1							
26	2	121850-49550	GASKET, THERMOSTAT	1							
27	2	121850-49800	THERMOSTAT, 82C	1							
29	2	22190-120002	WASHER, SEAL 12	1							
30	2	23875-030000	PLUG, R03	2							
31	2	26106-060202	BOLT, M6X 20 PLATED	4							
32	1	129900-49870	GASKET, THERMOSTAT	1							
33	1	23414-080000	GASKET, 8X1.0	1							
34	1	26106-080122	BOLT, M8X 12 PLATED	1							
35	1	26106-080602	BOLT, M8X 60 PLATED	3							
36	1	121550-49111	JOINT, PT1/4	1							
37	1	121450-42450	PLUG, M16	2							
38	1	124465-44950	GASKET, 16	2							
39	1	129927-49610	HOSE ASSY, WATER	1							
42	2	23080-012000	CLAMP, 12	2							
43	1	129927-49620	HOSE ASSY, WATER	1							
46	2	23080-012000	CLAMP, 12	2							
47	1	129466-44510	TANK ASSY, SUB	1							
48	2	121468-44540	PLUG	1							
49	2	121450-44531	CAP	1							
50	2	124450-44560	CLAMP, HOSE	1							
51	2	121470-44581	GASKET	1							
52	2	121267-44590	PIPE	1							
53	1	129150-49100	COCK ASSY, 3-WAY	1							
54	2	129150-49080	COCK, DRAIN	1							
56	3	119629-49080	GASKET	1							

N:Old $\frac{New}{Old}$ New, Q:Old $\frac{New}{Old}$ New, R:Old $\frac{New}{Old}$ New, S:Old $\frac{New}{Old}$ New, W:Add, Z:Discontinued, F:Interchangeable by set, K:Q'ty Change
 Copyright (C) YANMAR GLOBAL CS CO., LTD. All Rights Reserved.

Fig.11. FUEL INJECTION PUMP



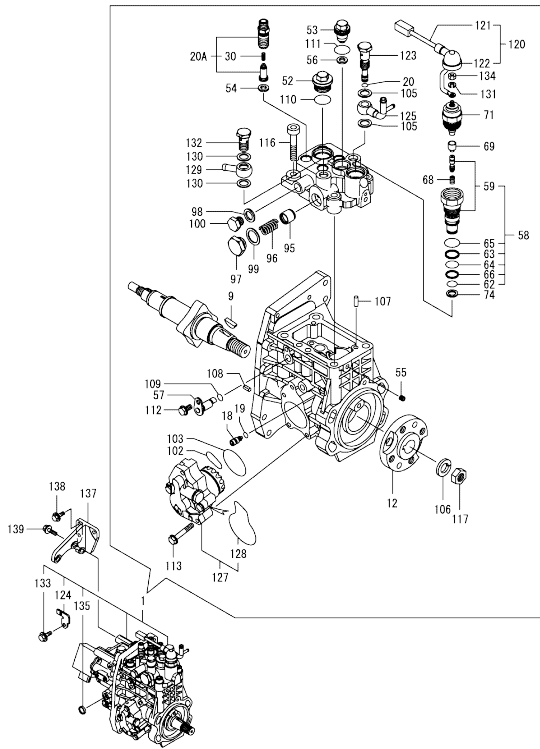
Remarks

(1) GOVERNOR ASSY (FIG.12) IS INCORPORATED IN THIS FUEL INJECTION PUMP (REF.NO.1).
 * ECO PUMP
 MAKE SURE TO UPDATE THE ENGINES ECU INFORMATION WHEN REPLACING THE ECO PUMP.
 FAILING TO DO SO WILL RESULT IN ENGINE MALFUNCTION.

No.	Lev.	Parts No.	Description	Q'ty						I	R
				(A)	(B)	(C)	(D)	(E)	(F)		
1	1	729938-51320	PUMP ASSY, INJECTION	1							1
9	2	144626-51090	FEATHER KEY, 5X19	1							
12	2	158563-51150	FLANGE	1							
18	2	158600-51270	STOPPER, TAPPET	1							
19	2	158563-51281	O-RING, 4D S6	1							
20	2	158563-51281	O-RING, 4D S6	1							
20A	2	129927-51390	VALVE ASSY, DELIVERY	4							W
(A=*2008.04.)											
30	3	158563-51330	SPRING, DELIVERY	4							
52	2	158601-51550	PLUG, M22	1							
53	2	129907-51560	PLUG, M16	1							
54	2	158552-51570	GASKET, PLUG	4							
55	2	158557-51570	PLUG, RACK	1							
56	2	129906-51580	GASKET, PLUG	1							
57	2	158552-51580	LIFTER, LINK	1							
58	2	129657-51590	TIMER ASSY	1							
59	3	129657-51600	TIMER ASSY	1							
62	3	158553-51670	O-RING	1							
63	3	119802-51680	RING, BACKUP	1							
64	3	119802-51690	O-RING	1							
65	3	24356-010200	O-RING, 4D1020	1							
66	3	24372-000150	RING, BACK UP T2P15	1							
68	2	119852-51630	SPRING, TIMER	1							
69	2	119852-51640	CAP, TIMER	1							
71	2	119852-51650	VALVE ASSY, SOLENOID	1							
74	2	158553-51680	GASKET, TIMER	1							
95	2	158601-51770	PISTON, ACCUMULATOR	1							
96	2	158552-51781	SPRING, ACCUMULATOR	1							
97	2	158601-51790	PLUG	1							
98	2	22190-120002	WASHER, SEAL 12	1							
99	2	22190-180002	WASHER, SEAL 18	1							
100	2	23887-120002	PLUG, 12	1							
102	2	158552-52310	O-RING	1							
103	2	158552-52400	O-RING, 4E S42	1							
105	2	22190-120002	WASHER, SEAL 12	2							
106	2	22217-180000	WASHER, SPRING 18	1							
107	2	22312-050140	PIN, PARALLEL M5X14	2							
108	2	22351-050010	PIN, SPRING 5.0X10	2							
109	2	24311-000070	O-RING, 1AP7.0	1							
110	2	24356-010200	O-RING, 4D1020	1							
111	2	24356-020210	O-RING, 4D2021	1							
112	2	26106-060102	BOLT, M6X 10 PLATED	1							
113	2	26106-060352	BOLT, M6X 35 PLATED	4							
116	2	26450-100452	BOLT, M10X 45	4							
117	2	26776-180002	NUT, LOCK M18	1							
120	2	129927-51650	HARNES ASSY, WIRE	1							
121	3	129927-51660	HARNES	1							
122	3	129263-77941	CAP, RUBBER	1							
123	2	158601-51650	JOINT, OVER FLOW	1							
124	2	129927-51670	BRACKET	1							
125	2	158552-51670	JOINT, OVER FLOW	1							

N:Old $\frac{New}{Old}$ New, Q:Old $\frac{New}{Old}$ New, R:Old $\frac{New}{Old}$ New, S:Old $\frac{New}{Old}$ New, W:Add, Z:Discontinued, F:Interchangeable by set, K:Q'ty Change
 ++ CONTINUE ++
 Copyright (C) YANMAR GLOBAL CS CO., LTD. All Rights Reserved.

Fig.11. FUEL INJECTION PUMP



(A)=4TNV98-ZQTB
(B)=
(C)=

(D)=
(E)=
(F)=

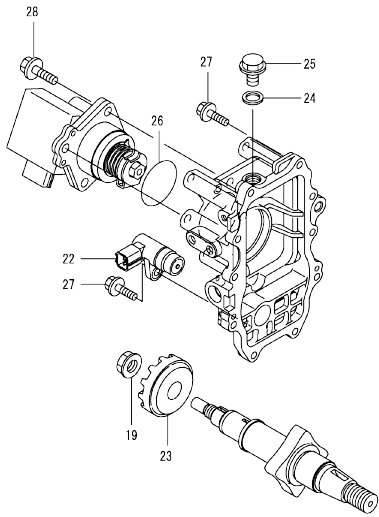
No.	Lev.	Parts No.	Description	Q'ty						I	R
				(A)	(B)	(C)	(D)	(E)	(F)		
127	2	158552-52100	PUMP ASSY, FUEL FEED	1							
128	3	158552-52500	O-RING	1							
129	2	129916-59020	JOINT, PIPE 12	1							
130	2	22190-120002	WASHER, SEAL 12	2							
131	2	22217-050000	WASHER, SPRING 5	1							
132	2	23857-060000	BOLT, JOINT 6	1							
133	2	26106-060122	BOLT, M6X 12 PLATED	1							
134	2	26716-050002	NUT, M5	1							
135	2	27241-160000	PLUG, 16	1							
137	1	129927-51250	RETAINER, PUMP	1							
138	1	26106-080202	BOLT, M8X 20 PLATED	3							
139	1	26106-080302	BOLT, M8X 30 PLATED	3							

Remarks

(1) GOVERNOR ASSY (FIG.12) IS INCORPORATED IN THIS FUEL INJECTION PUMP (REF.NO.1).
* ECO PUMP
MAKE SURE TO UPDATE THE ENGINES ECU INFORMATION WHEN REPLACING THE ECO PUMP.
FAILING TO DO SO WILL RESULT IN ENGINE MALFUNCTION.

OCD10-M99400 4TNV98-ZQTB
 Fig.12. GOVERNOR

OCD10-M99400 Fig.12



(A)=4TNV98-ZQTB
 (B)=
 (C)=

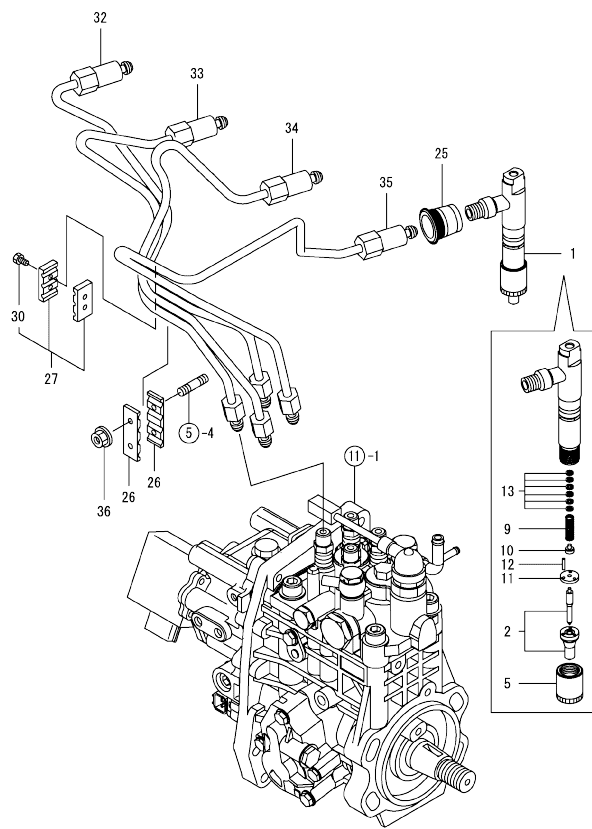
(D)=
 (E)=
 (F)=

No.	Lev.	Parts No.	Description	Q'ty					
				(A)	(B)	(C)	(D)	(E)	(F)
19	2	129008-61301	NUT	1					
22	2	158557-61720	SENSOR	1					
23	2	158553-61780	GEAR, SENSOR	1					
24	2	23414-120000	GASKET, 12X1.0	1					
25	2	23887-120002	PLUG, 12	1					
26	2	24341-000480	O-RING, 1AS48.0	1					
27	2	26106-060252	BOLT, M6X 25 PLATED	10					
28	2	26106-080252	BOLT, M8X 25 PLATED	3					

Remarks
 * THIS FIGURE(GOVERNOR ASSY)IS
 INCORPORATED IN THE FUEL INJECTION
 PUMP ASSY(FIG.11).

N:Old $\frac{100}{100}$ New. Q:Old $\frac{100}{100}$ New. R:Old $\frac{100}{100}$ New. S:Old $\frac{100}{100}$ New. W:Add. Z:Discontinued. F:Interchangeable by set. K:Q'ty Change
 Copyright (C) YANMAR GLOBAL CS CO., LTD. All Rights Reserved.

Fig.13. FUEL INJECTION VALVE

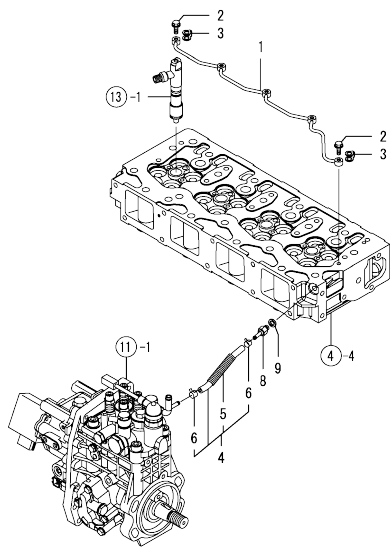


(A)=4TNV98-ZQTB
(B)=
(C)=

(D)=
(E)=
(F)=

No.	Lev.	Parts No.	Description	Q'ty						I	R
				(A)	(B)	(C)	(D)	(E)	(F)		
1	1	729927-53100	FUEL INJECTOR ASSY	4							
2	2	129927-53000	NOZZLE ASSY, F.I.	4							
5	2	114250-53080	NUT, NOZZLE	4							
9	2	114250-53120	SPRING, NOZZLE	4							
10	2	114250-53130	SEAT, SPRING	4							
11	2	114250-53140	SPACER	4							
12	2	114250-53210	PIN	8							
13	2	114250-53400	SHIM SET	4							
25	1	123907-11601	SEAL, PIPE	4							
26	1	123472-59120	RETAINER, PIPE	2							
27	1	129150-59120	RETAINER, PIPE	1							
30	2	129150-59131	BOLT, M4X14	2							
32	1	129927-59810	PIPE ASSY, INJECTION	1							
33	1	129927-59820	PIPE ASSY, INJECTION	1							
34	1	129927-59830	PIPE ASSY, INJECTION	1							
35	1	129927-59840	PIPE ASSY, INJECTION	1							
36	1	26366-060002	NUT, M6	2							

Fig.14. FUEL LINE



(A)=4TNV98-ZQTB
(B)=
(C)=

(D)=
(E)=
(F)=

No.	Lev.	Parts No.	Description	Q'ty						I	R
				(A)	(B)	(C)	(D)	(E)	(F)		
1	1	129907-59140	PIPE ASSY, RETURN	1							
2	1	123907-59540	BOLT, PIPE JOINT M6	5							
3	1	123907-59550	GASKET	5							
4	1	129927-59550	HOSE ASSY, RETURN	1							
5	2	129263-49750	TUBE, CORRUGATED	1							
6	2	124722-59050	CLAMP, HOSE 9	2							
8	1	123907-59560	JOINT, HOSE	1							
9	1	22190-080002	WASHER, SEAL 6	1							
10	1	129612-52100	PUMP, FUEL FEED	1							
11	1	129940-55610	FILTER ASSY, FUEL	1							
12	2	129004-55612	BRACKET, FILTER	1							
13	2	129907-55801	FILTER, FUEL	1							
14	1	129917-55801	FILTER ASSY, FUEL	1							
15	2	129917-55810	BODY, FILLER	1							
16	2	129917-55821	SENSOR ASSY, LEVEL	1							
17	3	129917-55830	PLUG, DRAIN	1							
18	3	129917-55840	O-RING	1							
19	2	129917-55850	ELEMENT KIT, FUEL	1							

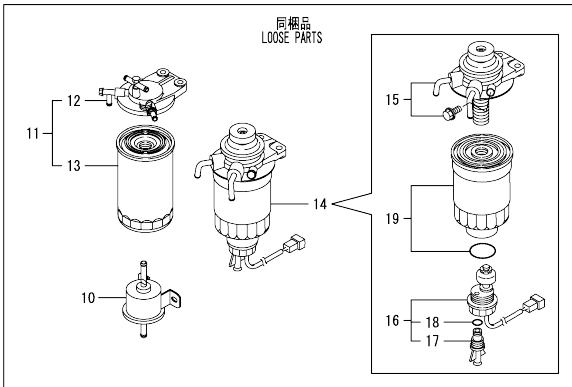
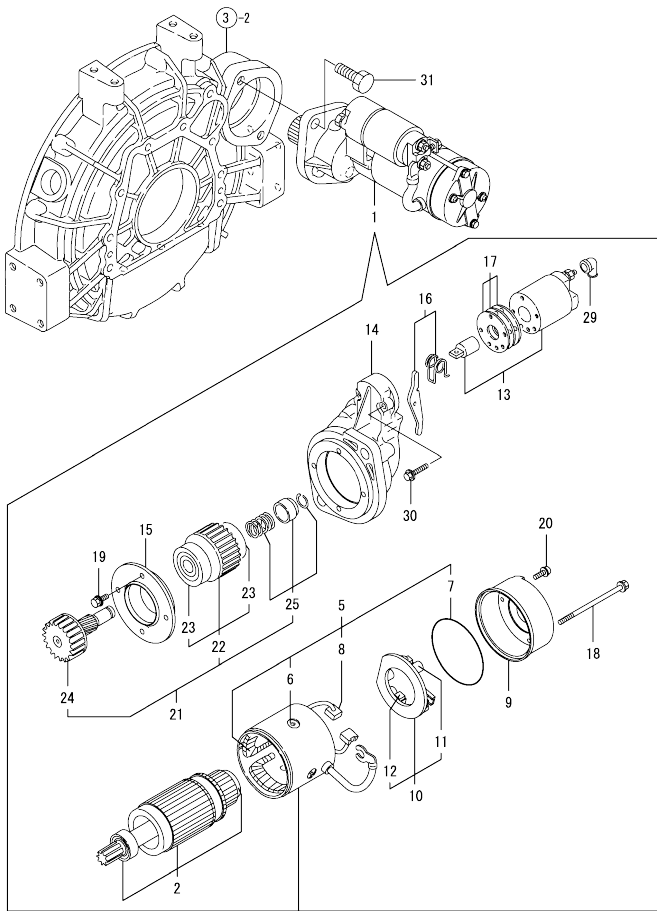


Fig.15. STARTING MOTOR



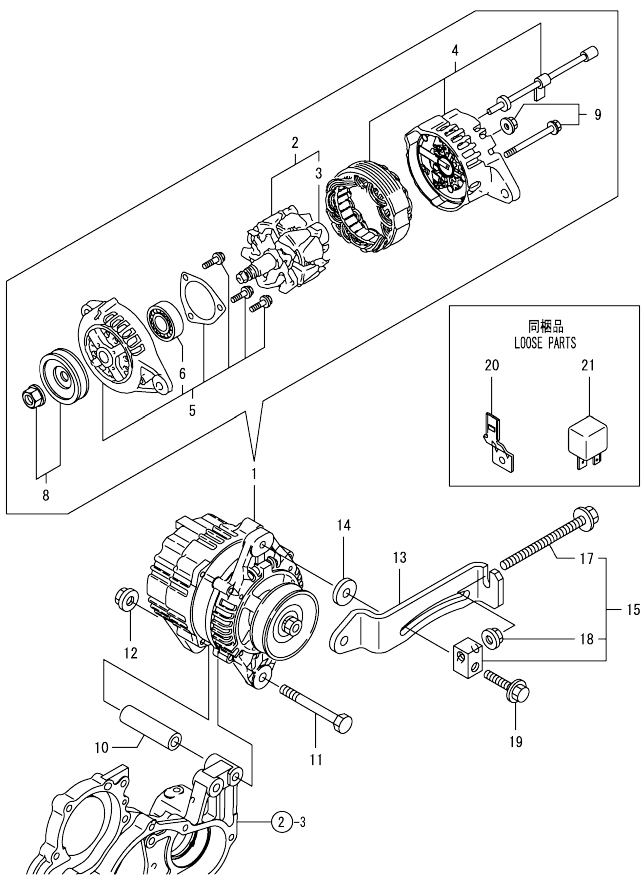
(A)=4TNV98-ZQTB
(B)=
(C)=

(D)=
(E)=
(F)=

No.	Lev.	Parts No.	Description	Q'ty						I	R
				(A)	(B)	(C)	(D)	(E)	(F)		
1	1	129940-77010	STARTER ASSY	1							
2	2	129940-77100	ARMATURE ASSY	1							
5	2	129940-77130	COIL ASSY, FIELD	1							
6	3	129940-77140	SCREW, CORE SET	4							
7	3	129940-77150	O-RING	1							
8	3	129940-77160	BRUSH	2							
9	2	129940-77170	COVER	1							
10	2	129940-77180	HOLDER ASSY, BRUSH	1							
11	3	129940-77190	SPRING, BRUSH	1							
12	3	129940-77200	BRUSH	2							
13	2	129940-77210	SWITCH ASSY, MAGNET	1							
14	2	129940-77220	CASE, GEAR	1							
15	2	129940-77230	RETAINER, BEARING	1							
16	2	129940-77240	LEVER SET	1							
17	2	129940-77250	COVER KIT, DUST	1							
18	2	129940-77260	BOLT, THROUGH	2							
19	2	129940-77270	BOLT	4							
20	2	129940-77280	SCREW	2							
21	2	123900-77510	PINION ASSY	1							
22	3	123900-77520	CLUTCH ASSY	1							
23	4	X2240610100	BEARING, BALL	2							
24	3	123900-77540	SHAFT, PINION	1							
25	3	119131-77550	STOPPER SET, PINION	1							
29	2	121254-77810	COVER, TERMINAL	1							
30	2	114371-79070	BOLT	2							
31	1	26116-120302	BOLT, M12X 30 PLATED	2							

OCD10-M99400 4TNV98-ZQTB
 Fig.16. GENERATOR

OCD10-M99400 Fig.16

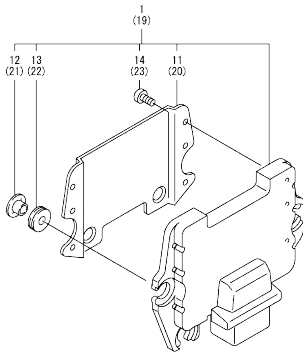


(A)=4TNV98-ZQTB
 (B)=
 (C)=

(D)=
 (E)=
 (F)=

No.	Lev.	Parts No.	Description	Q'ty						I	R
				(A)	(B)	(C)	(D)	(E)	(F)		
1	1	123910-77210	ALTERNATOR, 12V-80A	1							
2	2	123910-77740	ROTOR ASSY	1							
3	3	129900-77810	BEARING, BALL	1							
4	2	123910-77760	BRACKET ASSY	1							
5	2	129900-77890	BRACKET ASSY	1							
6	3	129900-77900	BEARING, BALL	1							
8	2	123910-77910	PULLEY, GENERATOR	1							
9	2	129900-77920	SCREW KIT	1							
10	1	129470-77340	PIECE, DISTANCE	1							
11	1	26116-101202	BOLT, M10X120 PLATED	1							
12	1	26306-100002	NUT, M10	1							
13	1	129953-77300	ADJUSTER	1							
14	1	121236-77340	SPACER	1							
15	1	119624-77351	BLOCK ASSY, ADJUSTER	1							
17	2	26106-081004	BOLT, M8X100 PLATED	1							
18	2	26306-080002	NUT, M8	1							
19	1	26106-080452	BOLT, M8X 45 PLATED	1							
20	1	129927-77910	BRACKET, CONNECTOR	3							
21	1	129927-77920	RELAY, ISO 70A	3							

Fig.17. ELECTRONIC CONTROL UNIT (ECU)



(A)=4TNV98-ZQTB
(B)=
(C)=

(D)=
(E)=
(F)=

No.	Lev.	Parts No.	Description	Q'ty						I	R
				(A)	(B)	(C)	(D)	(E)	(F)		
1	1	129938-75030	CONTROLLER ASSY, EUC	1							1
11	2	129927-77600	SHIELD, ECU	1							
12	2	129927-77680	COLLAR, CONTROL	3							
13	2	119578-91351	ABSORBER	3							
14	2	22877-500080	SCREW, 5X 8	6							
19	1	129927-75900	ECU ASSY, SERVICE	1							2
20	2	129927-77600	SHIELD, ECU	1							
21	2	129927-77680	COLLAR, CONTROL	3							
22	2	119578-91351	ABSORBER	3							
23	2	22877-500080	SCREW, 5X 8	6							

Remarks

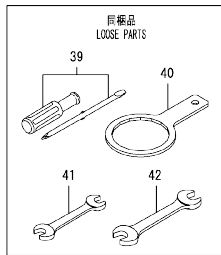
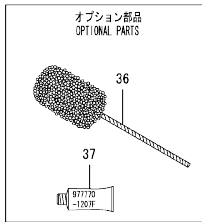
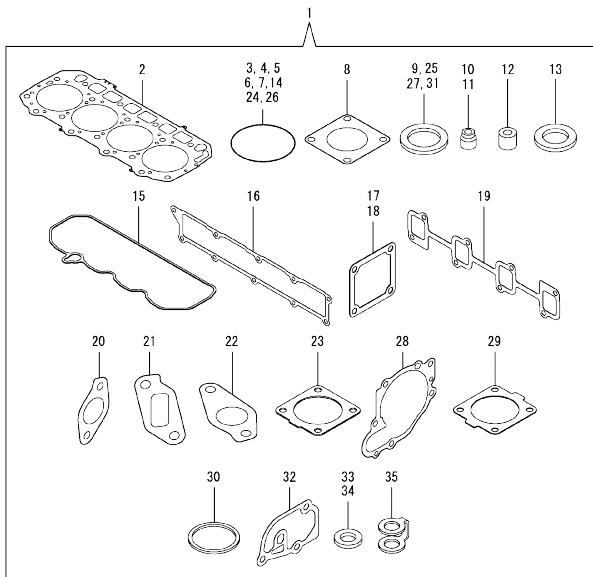
(1)ECO ECU
THIS PART CANNOT BE ORDERED.
REPLACE THE PART USING A SERVICE
ECU WITH THE PROPER ENGINE
INFORMATION INSTALLED.
(2)SERVICE ECU
IF THE PROPER INFORMATION IS NOT
INSTALLED, THE ENGINE WILL NOT
OPERATE.
TO INSTALL PROPER INFORMATION,
GO TO AN AUTHORIZED DISTRIBUTOR.

OCD10-M99400 4TNV98-ZQTB
 Fig.18. GASKET SET

OCD10-M99400 Fig.18

(A)=4TNV98-ZQTB
 (B)=
 (C)=

(D)=
 (E)=
 (F)=



No.	Lev.	Parts No.	Description	Qty						I	R	
				(A)	(B)	(C)	(D)	(E)	(F)			
1	1	729927-92700	GASKET SET	1							1	
2	2	129907-01331	GASKET, HEAD	1								
3	2	129900-32030	O-RING, P20	2								
4	2	129900-32040	O-RING, P14	1								
5	2	24311-000070	O-RING, 1AP7.0	1								
6	2	24351-030750	O-RING, 1A3075	1								
7	2	24311-000320	O-RING, 1AP3.2.0	2								
8	2	124240-01883	GASKET	1								
9	2	22190-220002	WASHER, SEAL 22	1								
10	2	119803-11340	SEAL, VALVE STEM	8								
11	2	124160-11340	SEAL, VALVE STEM	8								
12	2	119802-11870	PROTECTOR, NOZZLE	4								
13	2	119625-11880	SEAT, NOZZLE	4								
14	2	24311-000120	O-RING, 1AP12.0	8								
15	2	129933-11310	GASKET, BONNET	1								
16	2	129907-12110	GASKET, MANIFOLD	1								
17	2	119129-77020	GASKET	1								
18	2	121850-77021	GASKET, AIR HEATER	1								
19	2	129900-13251	GASKET, EXH.MANIFOLD	1								
20	2	129927-13810	GASKET	1								
21	2	129927-13910	GASKET, EGR	1								
22	2	129927-13920	GASKET, EGR	1								
23	2	129930-13201	GASKET, SILENCER	2								
24	2	24341-000530	O-RING, 1AS53.0	1								
25	2	22190-300002	WASHER, SEAL 30	1								
26	2	24321-000600	O-RING, 1AG60.0	1								
27	2	22190-080002	WASHER, SEAL 6	7								
28	2	129900-42020	GASKET, WATER PUMP	1								
29	2	121850-49540	GASKET, THERMOSTAT	1								
30	2	121850-49550	GASKET, THERMOSTAT	1								
31	2	22190-120002	WASHER, SEAL 12	1								
32	2	129900-49870	GASKET, THERMOSTAT	1								
33	2	23414-080000	GASKET, 8X1.0	1								
34	2	124465-44950	GASKET, 16	2								
35	2	123907-59550	GASKET	5								
36	1	129400-92450	HONE, FLEX	1								1
37	1	977770-1207F	GASKET.LIQUID	1								1
39	1	104200-92350	SCREW-DRIVER	1								
40	1	119640-92750	TOOL, FILTER WRENCH	1								
41	1	28110-100120	SPANNER, 10X12	1								
42	1	28110-140170	SPANNER, 14X17	1								

Remarks
 (1) OPTIONAL PART.

N:Old $\frac{New}{Old}$ New, Q:Old $\frac{New}{Old}$ New, R:Old $\frac{New}{Old}$ New, S:Old $\frac{New}{Old}$ New, W:Add, Z:Discontinued, F:Interchangeable by set, K:Qty Change
 Copyright (C) YANMAR GLOBAL CS CO., LTD. All Rights Reserved.

Parts No. Index

Parts No.	Fig. No.	Ref. No.
104200-92350	18	39
114250-39450	9	22
114250-53080	13	5
114250-53120	13	9
114250-53130	13	10
114250-53140	13	11
114250-53210	13	12
114250-53400	13	13
114371-79070	15	30
119000-01840	3	4
119000-35140	9	6
119005-77051	5	9
119129-77020	5	7
	18	17
119129-77520	5	10
119131-18320	6	7
119131-77550	15	25
119309-01810	1	29
119578-91351	17	13
	22	
119593-11301	4	30
119620-11180	4	14
119624-77351	16	15
119625-11880	4	26
	18	13
119629-49080	10	56
119640-01640	3	8
119640-61400	4	61
119640-92750	18	40
119802-11870	4	25
	18	12
119802-13680	6	6
119802-51680	11	63
119802-51690	11	64
119803-11340	4	15
	18	10
119812-34800	9	1
119852-51630	11	68
119852-51640	11	69
119852-51650	11	71
120130-22301	8	21
121236-77340	16	14
121254-77810	15	29
121267-44590	10	52
121450-42450	10	37
121450-44531	10	49
121468-44540	10	48
121470-44581	10	51
121550-49111	10	36
121850-21130	8	11

Parts No.	Fig. No.	Ref. No.
121850-21290	8	4
121850-21920	8	5
121850-49540	10	24
	18	29
121850-49550	10	26
	18	30
121850-49800	10	27
121850-77021	5	8
	18	18
123472-59120	13	26
123900-25060	7	9
123900-42470	10	14
123900-77510	15	21
123900-77520	15	22
123900-77540	15	24
123907-03100	4	55
123907-03110	4	56
123907-03120	4	57
123907-03140	4	58
123907-11280	4	35
123907-11550	4	3
123907-11601	13	25
123907-11820	4	21
123907-11830	4	20
123907-39500	9	25
123907-59540	14	2
123907-59550	14	3
	18	35
123907-59560	14	8
123910-77210	16	1
123910-77740	16	2
123910-77760	16	4
123910-77910	16	8
124160-01751	2	24
	4	50
124160-11340	4	16
	18	11
124160-11360	4	66
124240-01871	2	30
124240-01883	2	31
	18	8
124450-44560	10	50
124465-44950	10	38
	18	34
124722-59050	14	6
127410-21480	8	14
129001-91810	2	27
	8	29
	7	10
	2	4
129004-55612	14	12
129005-59830	9	27

Parts No.	Fig. No.	Ref. No.
129008-61301	12	19
129100-01580	2	1
	3	1
129150-02450	7	4
129150-11230	4	38
	4	42
129150-11750	4	19
	39	
	43	
129150-14200	7	1
129150-25920	7	13
129150-35153	9	7
129150-49080	10	54
129150-49100	10	53
129150-59120	13	27
129150-59131	13	30
129263-13210	6	4
129263-49750	14	5
129263-77941	11	122
129400-92450	18	36
129418-18320	6	3
129466-44510	10	47
129470-77340	16	10
129612-52100	14	10
129640-13580	6	21
129640-13590	6	20
129657-51590	11	58
129657-51600	11	59
129900-01200	1	27
129900-01250	1	4
129900-01740	2	26
129900-01850	2	36
129900-01870	2	37
129900-02020	1	6
129900-02341	1	33
129900-02410	1	9
129900-02931	1	24
129900-02941	1	36
129900-13251	6	5
	18	19
129900-14100	7	6
129900-21200	8	3
129900-23001	8	23
129900-23200	8	26
129900-23601	8	27
129900-23611	8	30
129900-23911	8	29
129900-25100	7	10
129900-32001	2	4
129900-32030	2	16

Parts No.	Fig. No.	Ref. No.
129900-32030	9	15
	18	3
129900-32040	2	17
	18	4
129900-35000	9	16
129900-42020	10	1
	18	28
129900-49870	10	32
	18	32
129900-77810	16	3
129900-77890	16	5
129900-77900	16	6
129900-77920	16	9
129902-21000	8	1
129902-21580	8	12
129906-51580	11	56
129907-01331	1	28
	18	2
129907-01500	2	3
129907-03011	4	52
129907-03061	4	53
129907-03070	4	54
129907-07900	4	1
129907-11100	4	11
129907-11110	4	12
129907-11120	4	13
129907-11250	4	32
129907-11260	4	33
129907-11270	4	34
129907-11341	4	31
129907-11510	4	17
129907-11650	4	36
129907-11660	4	40
129907-11800	4	24
129907-11910	4	27
129907-11920	4	44
129907-11950	4	28
129907-12110	5	1
	18	16
129907-14400	7	2
129907-25900	7	16
129907-51560	11	53
129907-55801	14	13
129907-59140	14	1
129908-14581	7	3
129916-01790	3	6
129916-01800	2	35
129916-21610	8	7
129916-49530	10	23
129916-59020	11	129

Parts No. Index

Parts No.	Fig. No.	Ref. No.	Parts No.	Fig. No.	Ref. No.	Parts No.	Fig. No.	Ref. No.	Parts No.	Fig. No.	Ref. No.
129917-55801	14	14	129938-12610	5	15	158552-52100	11	127	22877-500080	17	23
129917-55810	14	15	129938-12620	5	16	158552-52310	11	102	23080-012000	10	42
129917-55821	14	16	129938-35200	9	8	158552-52400	11	103			46
129917-55830	14	17	129938-49800	10	20	158552-52500	11	128	23414-080000	10	33
129917-55840	14	18	129938-75030	17	1	158553-51670	11	62		18	33
129917-55850	14	19	129939-12621	5	17	158553-51680	11	74	23414-120000	12	24
129927-11320	4	51	129939-12630	5	18	158553-61780	12	23	23857-030000	9	29
129927-11700	4	4	129939-12640	5	19	158557-51570	11	55	23857-060000	11	132
129927-12100	5	3	129940-13500	6	19	158557-61720	12	22	23875-030000	10	30
129927-12150	5	2	129940-55610	14	11	158563-51150	7	17	23876-020000	4	8
129927-13100	6	2	129940-77010	15	1		11	12	23876-030000	1	11
129927-13150	6	1	129940-77100	15	2	158563-51281	11	19			12
129927-13800	6	9	129940-77130	15	5			20			13
129927-13810	6	10	129940-77140	15	6	158563-51330	11	30			9
	18	20	129940-77150	15	7	158600-51270	11	18	23887-120002	4	100
129927-13900	6	13	129940-77160	15	8	158601-51550	11	52		12	25
129927-13910	6	14	129940-77170	15	9	158601-51650	11	123	24311-000070	2	18
	18	21	129940-77180	15	10	158601-51770	11	95		11	109
129927-13920	6	15	129940-77190	15	11	158601-51790	11	97		18	5
	18	22	129940-77200	15	12	171051-01921	1	5	24311-000120	4	29
129927-22050	8	17	129940-77210	15	13	175339-79700	4	62			67
129927-22080	8	15	129940-77220	15	14	22117-100000	6	22		18	14
129927-39060	9	23	129940-77230	15	15	22190-080002	9	28	24311-000320	2	25
129927-42140	2	17 A	129940-77240	15	16			30		4	68
129927-44900	10	21	129940-77250	15	17			32		18	7
129927-49610	10	39	129940-77260	15	18		14	9	24321-000600	9	13
129927-49620	10	43	129940-77270	15	19		18	27		18	26
129927-51250	11	137	129940-77280	15	20	22190-120002	10	29	24341-000480	12	26
129927-51390	11	20 A	129948-12660	5	20		11	98	24341-000530	8	10
129927-51650	11	120	129948-21610	8	8			105		18	24
129927-51660	11	121	129948-42100	10	2			130	24351-030750	2	19
129927-51670	11	124	129948-42101	10	2 -1		18	31		18	6
129927-53000	13	2	129948-44760	10	17	22190-180002	11	99	24356-010200	11	65
129927-59550	14	4	129951-01620	3	2	22190-220002	3	12			110
129927-59810	13	32	129953-01730	3	7		18	9	24356-020210	11	111
129927-59820	13	33	129953-12250	5	13	22190-300002	9	12	24372-000150	11	66
129927-59830	13	34	129953-25300	7	15		18	25	25153-004500	10	15
129927-59840	13	35	129953-35110	9	2	22217-050000	11	131	26106-060102	11	112
129927-75900	17	19	129953-35121	9	3	22217-100000	6	23	26106-060122	4	65
129927-77600	17	11	129953-39101	9	11	22217-180000	7	18		11	133
		20	129953-39500	9	5		11	106	26106-060202	10	31
129927-77680	17	12			10	22252-000300	8	22	26106-060252	12	27
		21	129953-44710	10	16	22312-050140	11	107	26106-060302	10	12
129927-77910	16	20	129953-77300	16	13	22351-050010	11	108	26106-060352	11	113
129927-77920	16	21	129960-21640	8	9	22351-060012	1	10	26106-080122	3	13
129930-13201	6	18	144626-51090	11	9	22512-070140	7	7		9	21
	18	23	158552-51570	11	54		8	6			31
129933-11310	4	60	158552-51580	11	57	22857-500100	4	63			33
	18	15	158552-51670	11	125			64		10	34
129938-12510	5	14	158552-51781	11	96	22877-500080	17	14	26106-080162	2	20

Parts No. Index

Parts No.	Fig. No.	Ref. No.
26106-080162	2	28
		32
		39
		4
26106-080202	2	21
		11
		138
		11
26106-080252	9	14
		12
26106-080302	11	139
26106-080402	2	29
		40
		4
		5
		11
26106-080452	2	22
		5
		16
26106-080552	7	14
		10
26106-080602	4	47
		10
26106-080802	5	6
26106-080902	5	12
26106-081004	16	17
26106-100302	6	11
		16
26106-100452	10	19
26106-100652	6	24
26106-100952	6	17
26116-101202	16	11
26116-120302	15	31
26206-100352	3	5
26216-060202	5	4
26216-100302	2	15
26226-080222	4	45
26306-080002	4	49
		6
		8
26306-100002	2	12
		16
		18
26366-060002	13	36
26450-100452	11	116
26706-100002	6	25
26716-050002	11	134
26776-180002	7	19
		11
27241-160000	11	135

Parts No.	Fig. No.	Ref. No.
27241-300000	1	14
27241-400000	4	10
27310-070001	4	22
28110-100120	18	41
28110-140170	18	42
729900-02801	1	30
729907-01559	2	33
729927-01560	1	1
729927-22900	8	32
729927-22950	8	34
729927-53100	13	1
729927-92700	18	1
729938-51320	11	1
977770-1207F	18	37
X2240610100	15	23

Parts No.	Fig. No.	Ref. No.
-----------	----------	----------

Parts No.	Fig. No.	Ref. No.
-----------	----------	----------