

0CD10-M97800EN

PREFACE

1. This parts catalog is the 1st edition of 4TNV98-ZNTBL for Takeuchi Mfg. Co., Ltd.

Pub.No. : 000Y00D9780

Published : September,2007

2. Model name

Engine model	Vehicle		Vehicle made by
	Products	Model name	
4TNV98-ZNTBL	Track Loader	TL230	Takeuchi Mfg. Co., Ltd.

Directions for the Parts Catalog.

1. This Parts Catalog shows both standard and optional parts.
2. Parts may change without prior notice.
3. The following is an example of the Parts Catalog format.

REF.	LEV.	PARTS NO.	DESCRIPTION	Q'TY						I	R
				(A)	(B)	(C)	(D)	(E)	(F)		
1	1	729595-51390	FUEL INJECTION PUMP	1	1	1	1	1			1
1-1	1	729595-51391	FUEL INJECTION PUMP	1	1	1	1	1		N	1
		(A=E00185) (B=E00200)									
3	2	26022-060162	SCREW M 6X 16	9	9	9	9	9			
3-1	2	26022-060162	SCREW M 6X 16	4	4	4	4	4		K	
		(A=E00156) (B=E00156) (C=E00156) (D=E00156) (E=E00156)									
4	2	129470-51040	CAMSHAFT	1	1	1	1	1			
5	2	122710-51050	BEARING, ROLLER	2	2	2	2	2			
6	2	129470-51060	RETAINER	1	1	1	1	1			

Remarks
(1) BOOST COMPEMSATOR TYPE. OPTIONAL PART, TO E00155,(4JH-DT, 4JH-DTZ

① Ref. No.

The Ref. No. listed may not be in accordance with the illustration Ref. No.

(Ex.) Illustration No.

List Ref No.

1 1 (Before change) → 1-1 (After change)

For interchangeable symbols N, R and K, illustrations for new parts may be abbreviated.

② Lev. (Level)

Level indication

The numbers below indicate the level of relativity towards the main part.

1 ---- Main parts (Assembly parts)

2 ---- Sub component included in " 1 ".

3 ---- Sub component included in " 2 ".

Note) Parts that are not for sale are partially illustrated but not listed.

③ Interchangeability Symbol

When a part change takes place, one of the following interchangeability symbols is indicated beside the part.

Symbol	Interchangeability	Contents note
N	Old $\begin{matrix} \leftarrow \text{Yes} \\ \text{No} \rightarrow \end{matrix}$ New	New Part is interchangeable for Old Part but Old Part is not interchangeable for New Part.
Q	Old $\begin{matrix} \leftarrow \text{No} \\ \text{Yes} \rightarrow \end{matrix}$ New	New Part is not interchangeable for Old Part but Old Part is interchangeable for New Part.
R	Old $\begin{matrix} \leftarrow \text{Yes} \\ \text{Yes} \rightarrow \end{matrix}$ New	New/ Old Parts are both interchangeable.
S	Old $\begin{matrix} \leftarrow \text{No} \\ \text{No} \rightarrow \end{matrix}$ New	New/ Old Parts are both not interchangeable.
W		Part newly added.
Z		Part discontinued.
F		Not interchangeable by a single part but interchangeable together with related parts.
K		Changes only for used parts quantities.

④ Effective Machine No.

When a part changes, the effective Machine No. will be indicated in the (A)-(F) column.

Product Symbol	Product No.	Product Symbol	Product No.
C	Clutch No. Compressor No.	F	Machine No. (Agricultural Equip.)
D	Drive No.	M	Machine No.
E	Engine No.		

Note 1) A date may follow the symbol. (Ex.) 1996.01

Note 2) "XXXXX" and "ZZZZZ" are for parts that could not be predicted or for engine models that could not be identified.

Note 3) (A=E00185) is the E (Engine Serial Number) for the column (A) model (in this case 4JH-DT) after the parts design change.

⑤ Remarks

Figures or alphabets (symbols) are entered in the remarks column.

The comments (remarks) on parts that are indicated at the bottom of the illustration are the same symbols as those stated above.

Contents

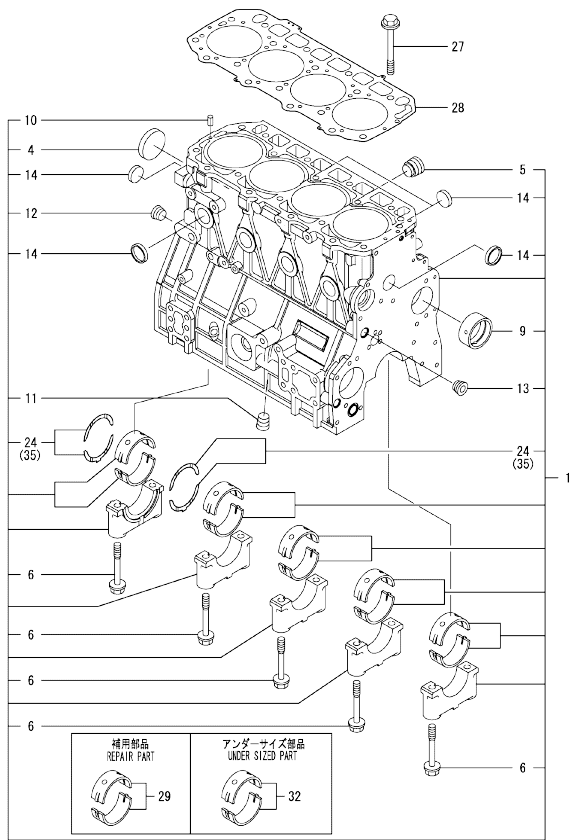
0CD10-M97800

Fig. No.	Fig. Name	Fig. No.	Fig. Name
4TNV98-ZNTBL			
1.	CYLINDER BLOCK		
2.	GEAR HOUSING		
3.	FLYWHEEL HOUSING & OIL SUMP		
4.	CYLINDER HEAD & BONNET		
5.	SUCTION MANIFOLD & AIR CLEANER		
6.	EXHAUST MANIFOLD & SILENCER		
7.	CAMSHAFT & DRIVING GEAR		
8.	CRANKSHAFT & PISTON		
9.	LUB.OIL SYSTEM		
10.	COOLING WATER SYSTEM		
11.	FUEL INJECTION PUMP		
12.	GOVERNOR		
13.	FUEL INJECTION VALVE		
14.	FUEL LINE		
15.	STARTING MOTOR		
16.	GENERATOR		
17.	ELECTRONIC CONTROL UNIT (ECU)		
18.	GASKET SET		
19.	LOOSE PART		

Fig.1. CYLINDER BLOCK

(A)=4TNV98-ZNTBL
(B)=
(C)=

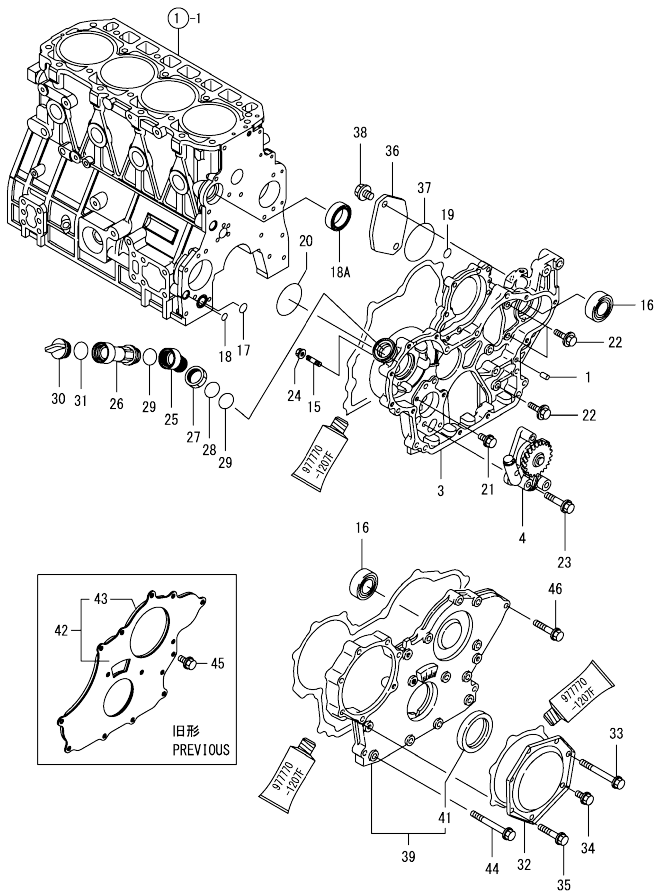
(D)=
(E)=
(F)=



No.	Lev.	Parts No.	Description	Q'ty						I	R
				(A)	(B)	(C)	(D)	(E)	(F)		
1	1	729927-01560	BLOCK ASSY, CYLINDER	1							
4	2	129900-01250	PLUG, DISH TYPE 55	1							
5	2	171051-01921	PLUG, NPTF1	1							
6	2	129900-02020	BOLT, METAL CAP	10							
9	2	129900-02410	BUSH, CAMSHAFT	1							
10	2	22351-060012	PIN, SPRING 6.0X12	2							
11	2	23876-030000	PLUG, R03	1							
12	2	23876-030000	PLUG, R03	1							
13	2	23876-030000	PLUG, R03	1							
14	2	27241-300000	PLUG 30	8							
24	2	129900-02931	BEARING ASSY, THRUST	2							
27	1	129900-01200	BOLT, CYLINDER HEAD	18							
28	1	129907-01331	GASKET, HEAD	1							
29	1	729900-02801	BEARING, MAIN	5							1
32	1	129900-02341	BEARING ASSY, MAIN	5							2
35	1	129900-02941	BEARING, THRUST 0.25	2							3

Remarks
(1) REPAIR PART.
(2) UNDER-SIZED(U.S=0.25)PART.
(3) OVER-SIZED(O.S=0.25)PART.

Fig.2. GEAR HOUSING

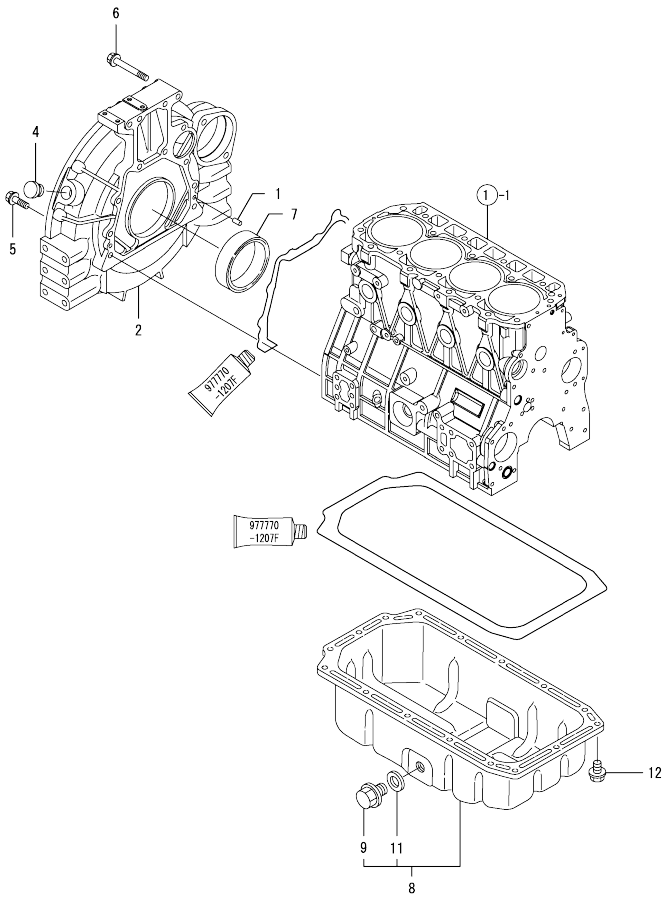


(A)=4TNV98-ZNTBL
(B)=
(C)=

(D)=
(E)=
(F)=

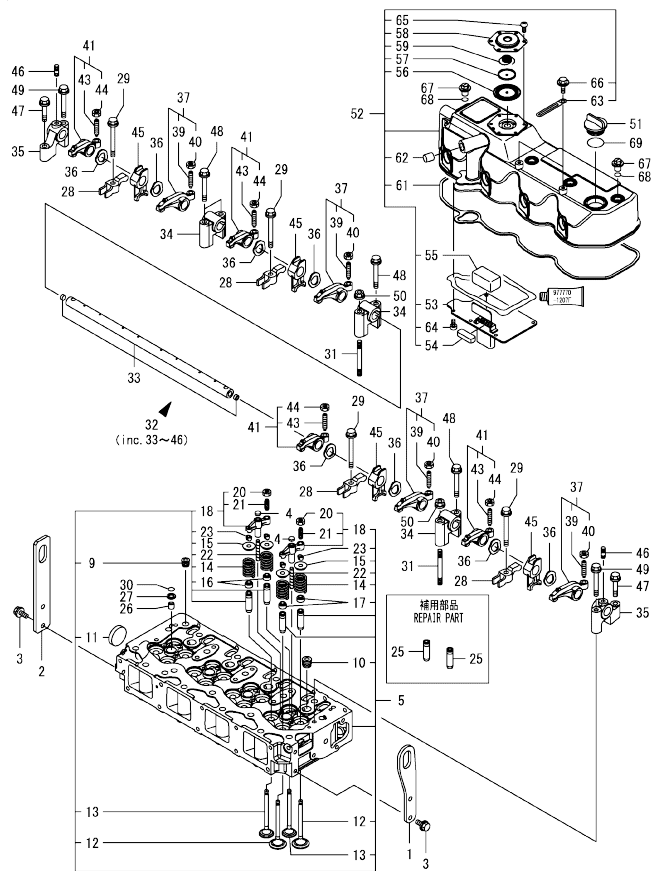
No.	Lev.	Parts No.	Description	Q'ty						I	R
				(A)	(B)	(C)	(D)	(E)	(F)		
1	1	129100-01580	PIN, PARALLEL 8X16	4							
3	1	129962-01500	CASE, GEAR	1							
4	1	129900-32001	PUMP ASSY, OIL	1							
15	1	26216-100302	STUD, M10X 30	4							
16	1	129900-26250	BEARING, BALL 6206C3	2							
17	1	129900-32030	O-RING, P20	1							
18	1	129900-32040	O-RING, P14	1							
18A	1	129927-42140 (A=*2014.09)	GASKET, PUMP OUTLET	1							W
19	1	24311-000070	O-RING, 1AP7.0	1							
20	1	24351-030750	O-RING, 1A3075	1							
21	1	26106-080162	BOLT, M8X 16 PLATED	1							
22	1	26106-080202	BOLT, M8X 20 PLATED	3							
23	1	26106-080452	BOLT, M8X 45 PLATED	3							
24	1	26306-100002	NUT, M10	4							
25	1	119225-11740	ADAPTER	1							
26	1	121027-11743	PIPE	1							
27	1	119225-11750	NUT	1							
28	1	24311-000300	O-RING, 1AP30.0	1							
29	1	24311-000320	O-RING, 1AP32.0	2							
30	1	124160-01751	CAP, FILLER	1							
31	1	24311-000320	O-RING, 1AP32.0	1							
32	1	129900-01740	COVER	1							
33	1	129001-91810	BOLT, M8X70	1							
34	1	26106-080162	BOLT, M8X 16 PLATED	1							
35	1	26106-080402	BOLT, M8X 40 PLATED	5							
36	1	121023-26070	COVER, PUMP	1							
37	1	24321-000850	O-RING, 1AG85.0	1							
38	1	26106-100202	BOLT, M10X 20 PLATED	2							
39	1	729907-01559	COVER ASSY, CASE	1							
41	2	129916-01800	SEAL, OIL	1							
42	1	129900-01850 (A=*2009.01)	COVER ASSY, GEAR CASE	1							Z
43	2	129900-01870 (A=*2009.01)	SPONGE, GEAR CASE	1							Z
44	1	129001-91810	BOLT, M8X70	6							
45	1	26106-080162 (A=*2009.01)	BOLT, M8X 16 PLATED	3							Z
46	1	26106-080402	BOLT, M8X 40 PLATED	5							

Fig.3. FLYWHEEL HOUSING & OIL SUMP



No.	Lev.	Parts No.	Description	Q'ty						I	R
				(A)	(B)	(C)	(D)	(E)	(F)		
1	1	129100-01580	PIN, PARALLEL 8X16	2							
2	1	129953-01620	HOUSING, FLYWHEEL	1							
4	1	119620-01750	CAP	1							
5	1	26206-100352	BOLT, M10X 35 PLATED	9							
6	1	26206-100702	BOLT, M10X 70 PLATED	4							
7	1	129916-01790	SEAL, D115/95XT11	1							
8	1	129902-01710	OIL PAN ASSY	1							
9	2	119640-01640	PLUG, DRAIN M22	1							
11	2	22190-220002	WASHER, SEAL 22	1							
12	1	26106-080122	BOLT, M8X 12 PLATED	16							

Fig.4. CYLINDER HEAD & BONNET



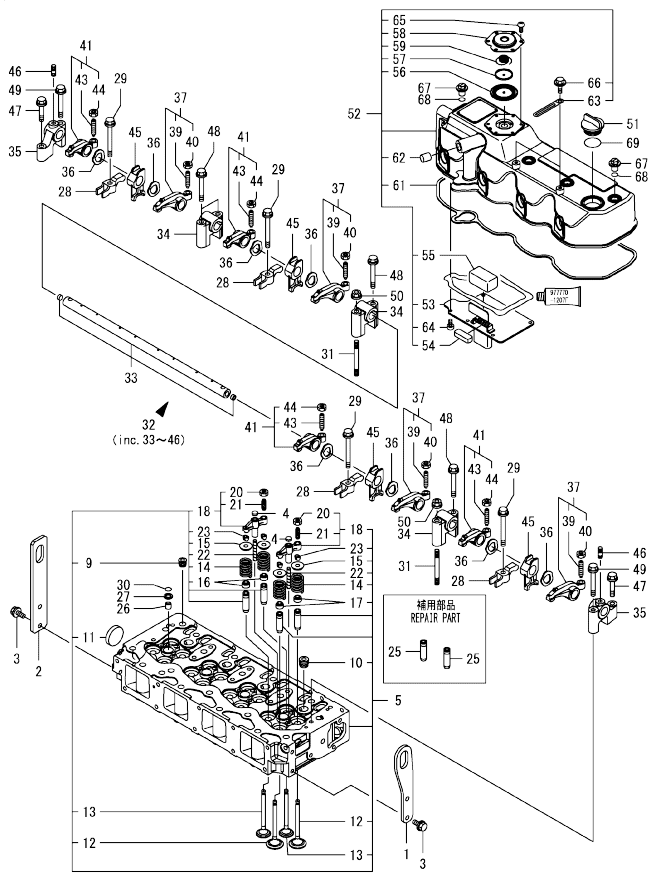
(A)=4TNV98-ZNTBL
(B)=
(C)=

(D)=
(E)=
(F)=

No.	Lev.	Parts No.	Description	Q'ty						I	R
				(A)	(B)	(C)	(D)	(E)	(F)		
1	1	129907-07900	LIFTER, ENGINE	1							
2	1	129944-07910	LIFTER	1							
3	1	26106-080162	BOLT, M8X 16 PLATED	4							
4	1	123907-11550	SEAT, VALVE BRIDGE	8							
5	1	129927-11700	HEAD ASSY, CYLINDER	1							
9	2	23876-020000	PLUG, R02	1							
10	2	23876-030000	PLUG, R03	4							
11	2	27241-400000	PLUG, 40	1							
12	2	129907-11100	VALVE, SUCTION	8							
13	2	129907-11110	VALVE, EXHAUST	8							
14	2	129907-11120	SPRING, VALVE	16							
15	2	119620-11180	RETAINER, SPRING	16							
16	2	119803-11340	SEAL, VALVE STEM	8							
17	2	124160-11340	SEAL, VALVE STEM	8							
18	2	129907-11510	BRIDGE ASSY, VALVE	8							
20	3	129150-11750	NUT, M8	8							
21	3	123907-11830	ADJUSTER	8							
22	2	123907-11820	GUIDE, BRIDGE	8							
23	2	27310-070001	COTTER, 7	16							
25	1	129907-11800	GUIDE, VALVE	16							1
26	1	119802-11870	PROTECTOR, NOZZLE	4							
27	1	119625-11880	SEAT, NOZZLE	4							
28	1	129907-11910	RETAINER, NOZZLE	4							
29	1	129907-11950	BOLT, M8X75	4							
30	1	24311-000120	O-RING, 1AP12.0	4							
31	1	119593-11301	BOLT, STUD M8X80	2							
32	1	129907-11341	SHAFT ASSY, ROCKER	1							
33	2	129907-11250	SHAFT, ROCKER ARM	1							
34	2	129907-11260	SUPPORT, ROCKER ARM	3							
35	2	129907-11270	SUPPORT, ROCKER ARM	2							
36	2	123907-11280	WASHER	8							
37	2	129907-11650	ARM ASSY, ROCKER	4							
39	3	129150-11230	SCREW, VALVE ADJUST	4							
40	3	129150-11750	NUT, M8	4							
41	2	129907-11660	ARM ASSY, ROCKER	4							
43	3	129150-11230	SCREW, VALVE ADJUST	4							
44	3	129150-11750	NUT, M8	4							
45	2	129907-11920	RETAINER, NOZZLE	4							
46	2	26226-080222	STUD, M8X 22	2							
47	1	26106-080402	BOLT, M8X 40 PLATED	2							
48	1	26106-080602	BOLT, M8X 60 PLATED	4							
49	1	26106-080602	BOLT, M8X 60 PLATED	2							
50	1	26306-080002	NUT, M8	2							
51	1	124160-01751	CAP, FILLER	1							
52	1	129927-11320	BONNET ASSY, HEAD	1							
53	2	129907-03011	PLATE, BAFFLE	1							
54	2	129907-03061	BAFFLE, BREATHER	1							
55	2	129907-03070	BAFFLE, BREATHER	1							
56	2	123907-03100	DIAPHRAGM	1							
57	2	123907-03110	PLATE	1							
58	2	123907-03120	PLATE, BREATHER	1							

Remarks
(1) REPAIR PART.

Fig.4. CYLINDER HEAD & BONNET



(A)=4TNV98-ZNTBL
(B)=
(C)=

(D)=
(E)=
(F)=

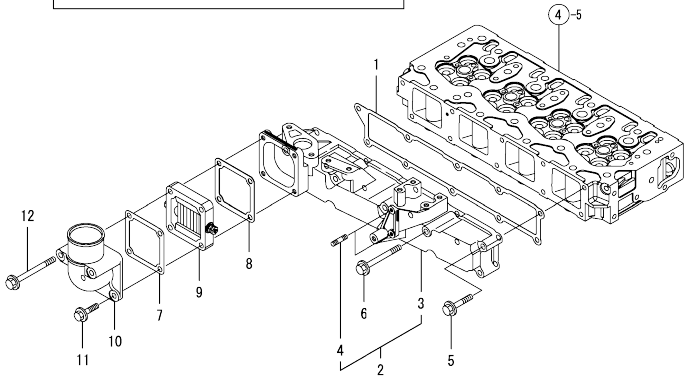
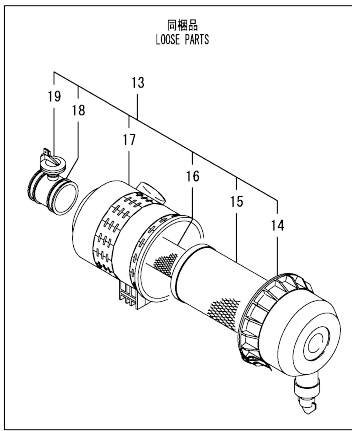
No.	Lev.	Parts No.	Description	Q'ty					
				(A)	(B)	(C)	(D)	(E)	(F)
59	2	123907-03140	SPRING, DIAPHRAGM	1					
61	2	129933-11310	GASKET, BONNET	1					
62	2	119640-61400	PLUG	1					
63	2	175339-79700	CLIP	2					
64	2	22857-500100	SCREW, 5X10	6					
65	2	22857-500100	SCREW, 5X10	6					
66	2	26106-060122	BOLT, M6X 12 PLATED	2					
67	1	124160-11360	KNOB	4					
68	1	24311-000120	O-RING, 1AP12.0	4					
69	1	24311-000320	O-RING, 1AP32.0	1					

Remarks
(1) REPAIR PART.

Fig.5. SUCTION MANIFOLD & AIR CLEANER

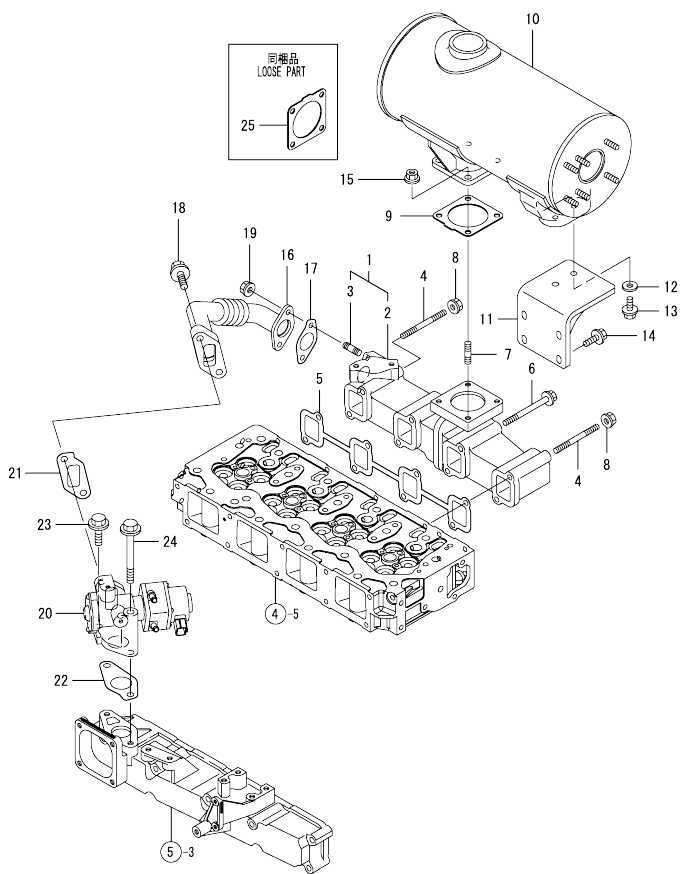
(A)=4TNV98-ZNTBL
(B)=
(C)=

(D)=
(E)=
(F)=



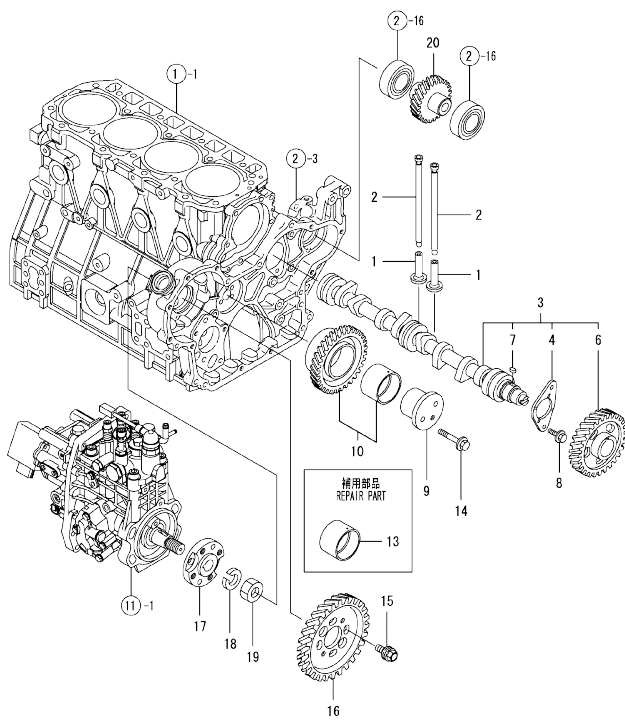
No.	Lev.	Parts No.	Description	Q'ty						I	R
				(A)	(B)	(C)	(D)	(E)	(F)		
1	1	129907-12110	GASKET, MANIFOLD	1							
2	1	129927-12150	MANIFOLD ASSY,INTAKE	1							
3	2	129927-12100	MANIFOLD, AIR INTAKE	1							
4	2	26216-060202	STUD, M6X 20	2							
5	1	26106-080452	BOLT, M8X 45 PLATED	6							
6	1	26106-080802	BOLT, M8X 80 PLATED	4							
7	1	119129-77020	GASKET	1							
8	1	121850-77021	GASKET, AIR HEATER	1							
9	1	119005-77050	HEATER, AIR	1							
10	1	119129-77520	BEND	1							
11	1	26106-080402	BOLT, M8X 40 PLATED	2							
12	1	26106-080902	BOLT, M8X 90 PLATED	2							
13	1	129939-12510	CLEANER ASSY, AIR	1							
14	2	129939-12610	HOUSING, CLEANER	1							
15	2	129939-12620	ELEMENT	1							
16	2	129939-12630	ELEMENT	1							
17	2	129939-12640	BRACKET	1							
18	2	129939-12650	JOINT	1							
19	2	129948-12660	INDICATOR, CLEANER	1							

Fig.6. EXHAUST MANIFOLD & SILENCER



No.	Lev.	Parts No.	Description	Q'ty						I	R
				(A)	(B)	(C)	(D)	(E)	(F)		
1	1	129927-13150	MANIFOLD ASSY, EXH.	1							
2	2	129927-13100	MANIFOLD, EXHAUST	1							
3	2	129418-18320	BOLT, STUD M8X20	2							
4	1	129263-13210	BOLT, STUD M8X90	2							
5	1	129900-13251	GASKET, EXH.MANIFOLD	1							
6	1	119802-13680	BOLT, M8X90 10.9T	6							
7	1	119131-18320	BOLT, STUD M8X22	4							
8	1	26306-080002	NUT, M8	2							
9	1	129930-13201	GASKET, SILENCER	1							
10	1	129944-13520	SILENCER	1							
11	1	129944-13660	STAY, SILENCER	1							
12	1	22157-080000	WASHER, 8	2							
13	1	26106-080162	BOLT, M8X 16 PLATED	2							
14	1	26106-080202	BOLT, M8X 20 PLATED	4							
15	1	26306-080002	NUT, M8	4							
16	1	129927-13800	PIPE ASSY, EGR	1							
17	1	129927-13810	GASKET	1							
18	1	26106-100302	BOLT, M10X 30 PLATED	2							
19	1	26306-080002	NUT, M8	2							
20	1	129927-13900	VALVE, EGR	1							
21	1	129927-13910	GASKET, EGR	1							
22	1	129927-13920	GASKET, EGR	1							
23	1	26106-100302	BOLT, M10X 30 PLATED	1							
24	1	26106-100952	BOLT, M10X 95 PLATED	1							
25	1	129930-13201	GASKET, SILENCER	1							

Fig.7. CAMSHAFT & DRIVING GEAR



(A)=4TNV98-ZNTBL
(B)=
(C)=

(D)=
(E)=
(F)=

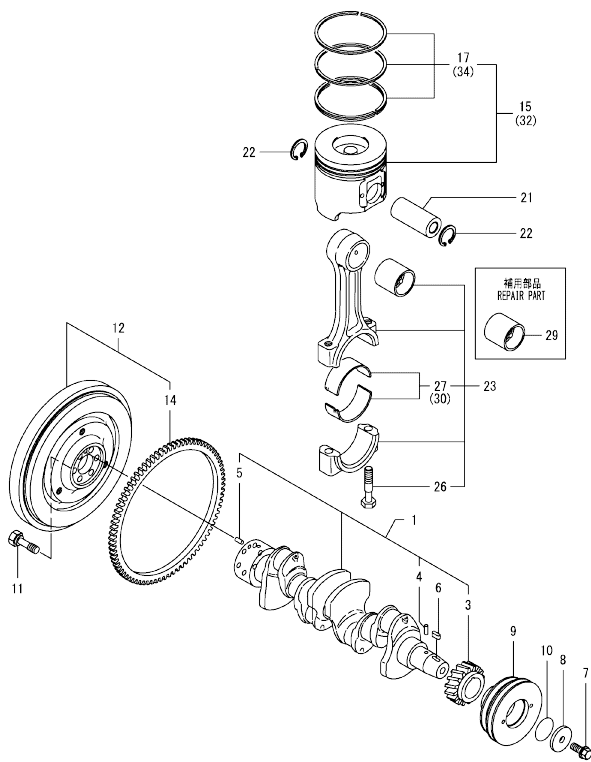
No.	Lev.	Parts No.	Description	Q'ty						I	R
				(A)	(B)	(C)	(D)	(E)	(F)		
1	1	129150-14200	TAPPET	8							
2	1	129907-14400	PUSH-ROD	8							
3	1	129908-14590	CAMSHAFT ASSY	1							
4	2	129150-02450	BEARING, THRUST	1							
6	2	129900-14110	GEAR, CAMSHAFT	1							
7	2	22512-070140	KEY, 7X 14	1							
8	1	26106-080162	BOLT, M8X 16 PLATED	2							
9	1	123900-25060	SHAFT, IDLE GEAR	1							
10	1	129900-25110	GEAR ASSY, IDLE	1							
13	1	129150-25920	BUSH, IDLE GEAR	1							1
14	1	26106-080552	BOLT, M8X 55 PLATED	3							
15	1	129953-25300	BOLT	4							
16	1	129907-25900	GEAR, PUMP	1							
17	1	158563-51150	FLANGE	1							
18	1	22217-180000	WASHER, SPRING 18	1							
19	1	26776-180002	NUT, LOCK M18	1							
20	1	129900-26020	GEAR ASSY, PUMP	1							

Remarks
(1) REPAIR PART.

Fig.8. CRANKSHAFT & PISTON

(A)=4TNV98-ZNTBL
(B)=
(C)=

(D)=
(E)=
(F)=

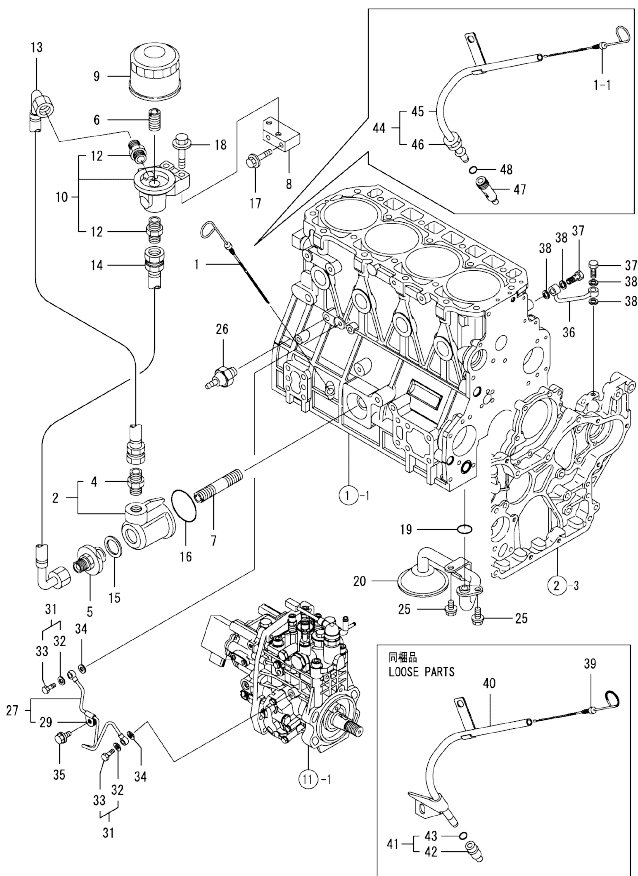


No.	Lev.	Parts No.	Description	Q'ty						I	R
				(A)	(B)	(C)	(D)	(E)	(F)		
1	1	129902-21050	CRANKSHAFT ASSY	1							
3	2	129900-21220	GEAR, CRANKSHAFT	1							
4	2	121850-21290	PIN	1							
5	2	121850-21920	PIN, PARALLEL 10X22	1							
6	1	22512-070140	KEY, 7X 14	1							
7	1	129916-21610	BOLT	1							
8	1	129960-21640	WASHER	1							
9	1	129916-21680	V-PULLEY, CRANKSHAFT	1							
10	1	24341-000530	O-RING, 1AS53.0	1							
11	1	121850-21130	BOLT, FLYWHEEL	6							
12	1	129953-21570	FLYWHEEL ASSY	1							
14	2	129900-21600	GEAR, RING	1							
15	1	129927-22080	PISTON ASSY	4							
17	2	129927-22050	RING SET, PISTON	4							
21	1	120130-22301	PIN, PISTON	4							
22	1	22252-000300	RING, 30	8							
23	1	129900-23001	ROD ASSY, CONNECTING	4							
26	2	129900-23200	BOLT, CONNECTING ROD	8							
27	2	129900-23601	BEARING, CRANK PIN	4							
29	1	129900-23911	BEARING, PISTON PIN	4							1
30	1	129900-23611	BEARING ASSY, 0.25US	4							2
32	1	729927-22900	PISTON ASSY, 0.25 OS	4							3
34	2	729927-22950	RING SET, 0.25 OS	4							3

Remarks

- (1) REPAIR PART.
- (2) UNDER-SIZED(U.S=0.25)PART.
- (3) OVER-SIZED(O.S=0.25)PART.

OCD10-M97800 4TNV98-ZNTBL
 Fig.9. LUB.OIL SYSTEM



Remarks
 (1) REPAIR PART.

OCD10-M97800 Fig.9

(A)=4TNV98-ZNTBL
 (B)=
 (C)=

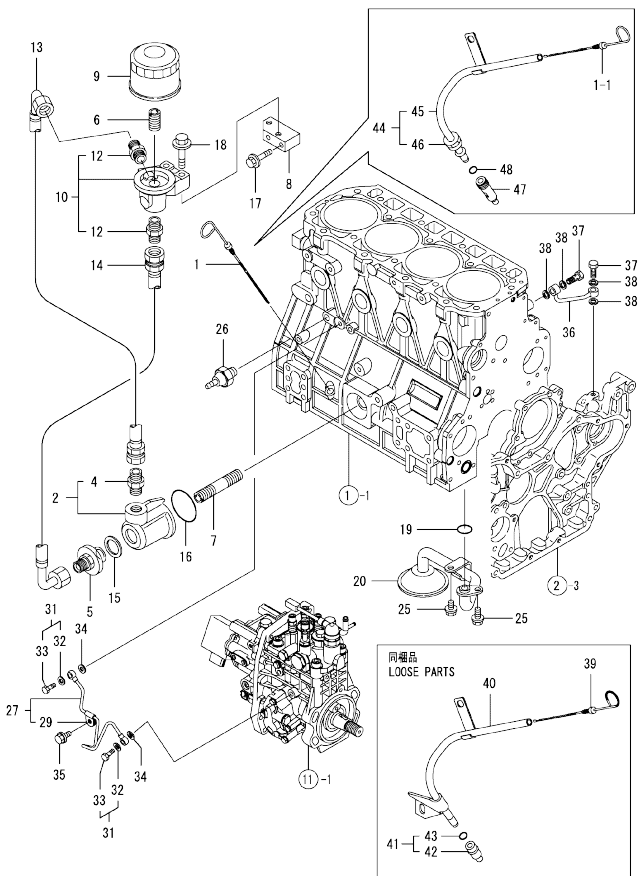
(D)=
 (E)=
 (F)=

No.	Lev.	Parts No.	Description	(A)	(B)	(C)	Q'ty	(D)	(E)	(F)	I	R
1	1	129907-34801	DIPSTICK, OIL	1								
1-1	1	129951-34801	DIPSTICK	1								S
		(A=08.08.21)										
2	1	129944-35110	CASE ASSY	1								
4	2	129953-39500	ADAPTER, R-G1/2	1								
5	1	129953-35110	RETAINER, CASE	1								
6	1	119000-35140	BOLT, STUD FILTER	1								
7	1	129970-35140	BOLT, FILTER	1								
8	1	129944-35150	SPACER	1								
9	1	129150-35153	FILTER ASSY, D80X80L	1								1
10	1	129944-35210	BRACKET ASSY	1								
12	2	129953-39500	ADAPTER, R-G1/2	2								
13	1	129944-39101	PIPE, OIL	1								
14	1	129953-39101	HOSE ASSY, OIL	1								
15	1	22190-300002	WASHER, SEAL 30	1								
16	1	24321-000600	O-RING, 1AG60.0	1								
17	1	26106-080502	BOLT, M8X 50 PLATED	2								
18	1	26106-100452	BOLT, M10X 45 PLATED	2								
19	1	129900-32030	O-RING, P20	1								
20	1	129900-35000	PIPE ASSY, OIL INLET	1								
25	1	26106-080122	BOLT, M8X 12 PLATED	2								
26	1	114250-39450	SWITCH, HYDRAULIC	1								
27	1	129927-39060	PIPE ASSY, OIL	1								
29	2	123907-39500	RETAINER, PIPE	1								
31	1	129005-59830	BOLT ASSY, JOINT M8	2								
32	2	22190-080002	WASHER, SEAL 6	2								
33	2	23857-030000	BOLT, JOINT 3	2								
34	1	22190-080002	WASHER, SEAL 6	2								
35	1	26106-080122	BOLT, M8X 12 PLATED	1								
36	1	129930-39050	PIPE, OIL	1								
37	1	105010-39140	BOLT, PIPE JOINT	2								
38	1	22190-080002	WASHER, SEAL 6	4								
39	1	129951-34801	DIPSTICK	1								Z
		(A=08.08.21)										
40	1	129939-34810	GUIDE, DIPSTICK	1								Z
		(A=08.08.21)										
41	1	129939-34820	GUIDE ASSY, DIPSTICK	1								Z
		(A=08.08.21)										
42	2	119260-34810	GUIDE, DIPSTICK	1								Z
		(A=08.08.21)										
43	2	24311-240100	O-RING, 1AP10A	1								Z
		(A=08.08.21)										
44	1	129939-34710	GUIDE, DIPSTICK	1								W
		(A=08.08.21)										
45	2	129939-34700	GUIDE, DIPSTICK	1								W
		(A=08.08.21)										
46	2	129939-34870	NUT, CAP	1								W
		(A=08.08.21)										
47	1	129939-34860	GUIDE, DIPSTICK	1								W
		(A=08.08.21)										
47-1	1	129939-34861	GUIDE, DIPSTICK	1								N

N:Old $\frac{100}{100}$ New, Q:Old $\frac{100}{100}$ New, R:Old $\frac{100}{100}$ New, S:Old $\frac{100}{100}$ New, W:Add, Z:Discontinued, F:Interchangeable by set, K:Q'ty Change
 ++ CONTINUE ++
 Copyright (C) YANMAR GLOBAL CS CO., LTD. All Rights Reserved.

OCD10-M97800 4TNV98-ZNTBL
 Fig.9. LUB.OIL SYSTEM

OCD10-M97800 Fig.9



(A)=4TNV98-ZNTBL
 (B)=
 (C)=

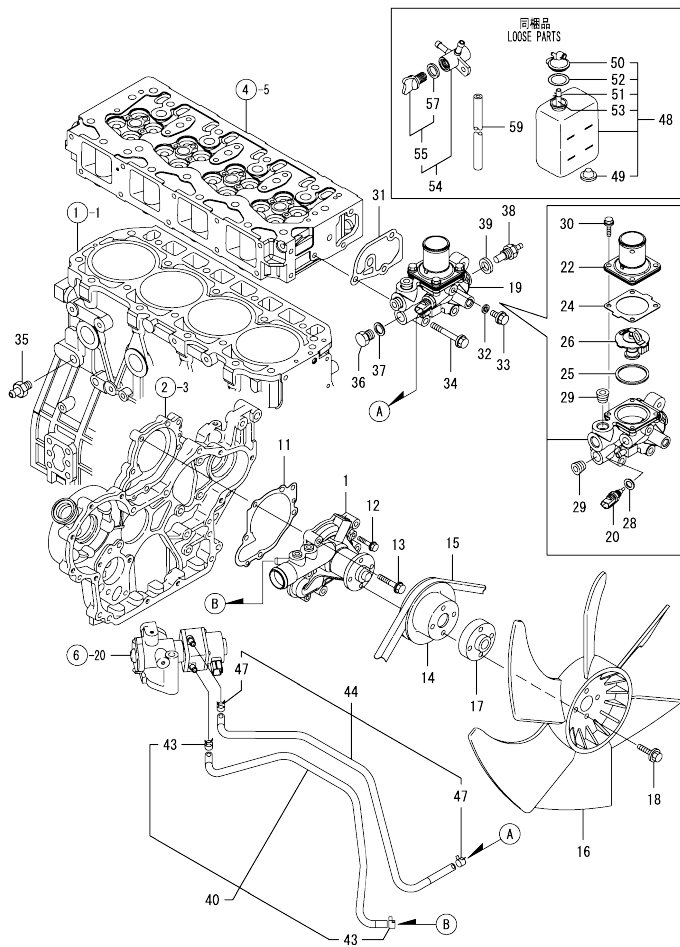
(D)=
 (E)=
 (F)=

No.	Lev.	Parts No.	Description	Q'ty						I	R
				(A)	(B)	(C)	(D)	(E)	(F)		
47-2	1	129939-34862 (A=2008.11.)	GUIDE, DIPSTICK	1							N
47-3	1	129939-34863 (A=2008.12.)	GUIDE, DIPSTICK	1							N
48	1	24316-24010 (A=08.08.21)	O-RING, 4DP10A	1							W

Remarks
 (1) REPAIR PART.

N:Old $\frac{100}{100}$ New, Q:Old $\frac{100}{100}$ New, R:Old $\frac{100}{100}$ New, S:Old $\frac{100}{100}$ New, W:Add, Z:Discontinued, F:Interchangeable by set, K:Qty Change
 Copyright (C) YANMAR GLOBAL CS CO., LTD. All Rights Reserved.

Fig.10. COOLING WATER SYSTEM

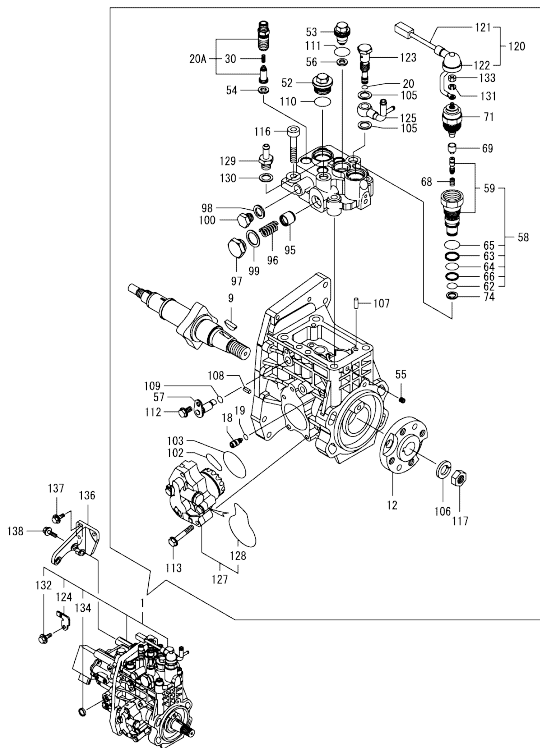


(A)=4TNV98-ZNTBL
(B)=
(C)=

(D)=
(E)=
(F)=

No.	Lev.	Parts No.	Description	Q'ty						I	R
				(A)	(B)	(C)	(D)	(E)	(F)		
1	1	129927-42000	PUMP ASSY, WATER	1							
11	1	129900-42020	GASKET, WATER PUMP	1							
12	1	26106-060302	BOLT, M6X 30 PLATED	2							
13	1	26106-080552	BOLT, M8X 55 PLATED	5							
14	1	129930-42450	V-PULLEY, C.W.PUMP	1							
15	1	25152-004150	V-BELT, A41.5	1							
16	1	129916-44740	FAN, COOLING D=430	1							
17	1	119130-44760	SPACER, FAN	1							
18	1	26106-080352	BOLT, M8X 35 PLATED	4							
19	1	129938-49800	CASE ASSY,THERMOSTAT	1							
20	2	129927-44900	SENSOR, WATER TEMP.	1							
22	2	129916-49530	COVER, THERMOSTAT	1							
24	2	121850-49540	GASKET, THERMOSTAT	1							
25	2	121850-49550	GASKET, THERMOSTAT	1							
26	2	121850-49800	THERMOSTAT, 82C	1							
28	2	22190-120002	WASHER, SEAL 12	1							
29	2	23875-030000	PLUG, R03	2							
30	2	26106-060202	BOLT, M6X 20 PLATED	4							
31	1	129900-49870	GASKET, THERMOSTAT	1							
32	1	23414-080000	GASKET, 8X1.0	1							
33	1	26106-080122	BOLT, M8X 12 PLATED	1							
34	1	26106-080602	BOLT, M8X 60 PLATED	3							
35	1	121550-49111	JOINT, PT1/4	1							
36	1	121450-42450	PLUG, M16	1							
37	1	124465-44950	GASKET, 16	1							
38	1	119266-49350	SENSOR, WATER TEMP.	1							
39	1	129150-49360	GASKET	1							
40	1	129927-49610	HOSE ASSY, WATER	1							
43	2	23080-012000	CLAMP, 12	2							
44	1	129927-49620	HOSE ASSY, WATER	1							
47	2	23080-012000	CLAMP, 12	2							
48	1	129466-44510	TANK ASSY, SUB	1							
49	2	121468-44540	PLUG	1							
50	2	121450-44531	CAP	1							
51	2	124450-44560	CLAMP, HOSE	1							
52	2	121470-44581	GASKET	1							
53	2	121267-44590	PIPE	1							
54	1	129150-49100	COCK ASSY, 3-WAY	1							
55	2	129150-49080	COCK, DRAIN	1							
57	3	119629-49080	GASKET	1							
59	1	105840-59100	PIPE	1							

Fig.11. FUEL INJECTION PUMP

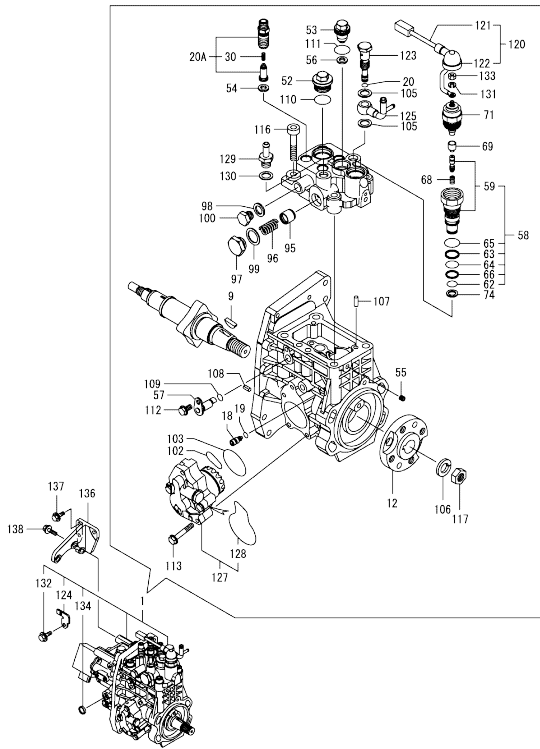


Remarks
 (1) GOVERNOR ASSY (FIG.12) IS INCORPORATED IN THIS FUEL INJECTION PUMP (REF.NO.1).
 * ECO PUMP
 MAKE SURE TO UPDATE THE ENGINES ECU INFORMATION WHEN REPLACING THE ECO PUMP.
 FAILING TO DO SO WILL RESULT IN ENGINE MALFUNCTION.

No.	Lev.	Parts No.	Description	Q'ty						I	R
				(A)	(B)	(C)	(D)	(E)	(F)		
1	1	729939-51300	PUMP ASSY, INJECTION	1							1
9	2	144626-51090	FEATHER KEY, 5X19	1							
12	2	158563-51150	FLANGE	1							
18	2	158600-51270	STOPPER, TAPPET	1							
19	2	158563-51281	O-RING, 4D S6	1							
20	2	158563-51281	O-RING, 4D S6	1							
20A	2	129927-51390	VALVE ASSY, DELIVERY	4							W
(A=*2008.04.)											
30	3	158563-51330	SPRING, DELIVERY	4							
52	2	158601-51550	PLUG, M22	1							
53	2	129907-51560	PLUG, M16	1							
54	2	158552-51570	GASKET, PLUG	4							
55	2	158557-51570	PLUG, RACK	1							
56	2	129906-51580	GASKET, PLUG	1							
57	2	158552-51580	LIFTER, LINK	1							
58	2	129657-51590	TIMER ASSY	1							
59	3	129657-51600	TIMER ASSY	1							
62	3	158553-51670	O-RING	1							
63	3	119802-51680	RING, BACKUP	1							
64	3	119802-51690	O-RING	1							
65	3	24356-010200	O-RING, 4D1020	1							
66	3	24372-000150	RING, BACK UP T2P15	1							
68	2	119852-51630	SPRING, TIMER	1							
69	2	119852-51640	CAP, TIMER	1							
71	2	119852-51650	VALVE ASSY, SOLENOID	1							
74	2	158553-51680	GASKET, TIMER	1							
95	2	158601-51770	PISTON, ACCUMULATOR	1							
96	2	158552-51781	SPRING, ACCUMULATOR	1							
97	2	158601-51790	PLUG	1							
98	2	22190-120002	WASHER, SEAL 12	1							
99	2	22190-180002	WASHER, SEAL 18	1							
100	2	23887-120002	PLUG, 12	1							
102	2	158552-52310	O-RING	1							
103	2	158552-52400	O-RING, 4E S42	1							
105	2	22190-120002	WASHER, SEAL 12	2							
106	2	22217-180000	WASHER, SPRING 18	1							
107	2	22312-050140	PIN, PARALLEL M5X14	2							
108	2	22351-050010	PIN, SPRING 5.0X10	2							
109	2	24311-000070	O-RING, 1AP7.0	1							
110	2	24356-010200	O-RING, 4D1020	1							
111	2	24356-020210	O-RING, 4D2021	1							
112	2	26106-060102	BOLT, M6X 10 PLATED	1							
113	2	26106-060352	BOLT, M6X 35 PLATED	4							
116	2	26450-100452	BOLT, M10X 45	4							
117	2	26776-180002	NUT, LOCK M18	1							
120	2	129927-51650	HARNES ASSY, WIRE	1							
121	3	129927-51660	HARNES	1							
122	3	129263-77941	CAP, RUBBER	1							
123	2	158601-51650	JOINT, OVER FLOW	1							
124	2	129927-51670	BRACKET	1							
125	2	158552-51670	JOINT, OVER FLOW	1							

N:Old $\frac{New}{Old}$ New, Q:Old $\frac{New}{Old}$ New, R:Old $\frac{New}{Old}$ New, S:Old $\frac{New}{Old}$ New, W:Add, Z:Discontinued, F:Interchangeable by set, K:Q'ty Change
 ++ CONTINUE ++
 Copyright (C) YANMAR GLOBAL CS CO., LTD. All Rights Reserved.

Fig.11. FUEL INJECTION PUMP



(A)=4TNV98-ZNTBL
(B)=
(C)=

(D)=
(E)=
(F)=

No.	Lev.	Parts No.	Description	Q'ty						I	R
				(A)	(B)	(C)	(D)	(E)	(F)		
127	2	158552-52100	PUMP ASSY, FUEL FEED	1							
128	3	158552-52500	O-RING	1							
129	2	119934-59910	JOINT, PIPE	1							
130	2	22190-120002	WASHER, SEAL 12	1							
131	2	22217-050000	WASHER, SPRING 5	1							
132	2	26106-060122	BOLT, M6X 12 PLATED	1							
133	2	26716-050002	NUT, M5	1							
134	2	27241-160000	PLUG, 16	1							
136	1	129927-51250	RETAINER, PUMP	1							
137	1	26106-080202	BOLT, M8X 20 PLATED	3							
138	1	26106-080302	BOLT, M8X 30 PLATED	3							

Remarks

(1) GOVERNOR ASSY (FIG.12) IS INCORPORATED IN THIS FUEL INJECTION PUMP (REF.NO.1).
* ECO PUMP
MAKE SURE TO UPDATE THE ENGINES ECU INFORMATION WHEN REPLACING THE ECO PUMP.
FAILING TO DO SO WILL RESULT IN ENGINE MALFUNCTION.

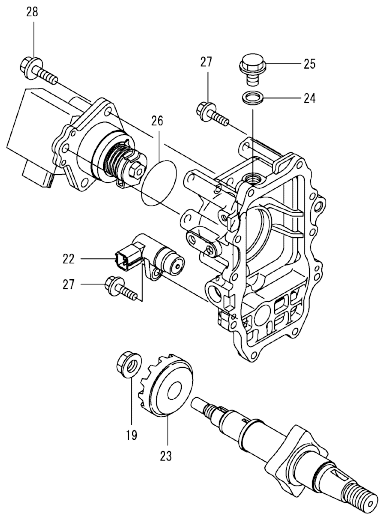
OCD10-M97800 4TNV98-ZNTBL
 Fig.12. GOVERNOR

OCD10-M97800 Fig.12

(A)=4TNV98-ZNTBL
 (B)=
 (C)=

(D)=
 (E)=
 (F)=

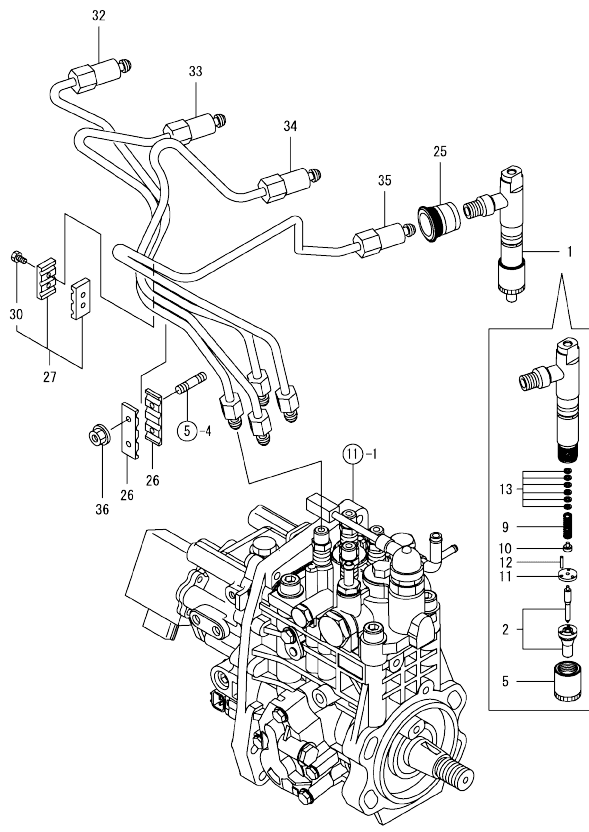
No.	Lev.	Parts No.	Description	Q'ty					
				(A)	(B)	(C)	(D)	(E)	(F)
19	2	119660-61300	NUT	1					
22	2	158557-61720	SENSOR	1					
23	2	158553-61780	GEAR, SENSOR	1					
24	2	23414-120000	GASKET, 12X1.0	1					
25	2	23887-120002	PLUG, 12	1					
26	2	24341-000480	O-RING, 1AS48.0	1					
27	2	26106-060252	BOLT, M6X 25 PLATED	10					
28	2	26106-080252	BOLT, M8X 25 PLATED	3					



Remarks
 * THIS FIGURE(GOVERNOR ASSY)IS
 INCORPORATED IN THE FUEL INJECTION
 PUMP ASSY(FIG.11).

N:Old $\frac{100}{100}$ New. Q:Old $\frac{100}{100}$ New. R:Old $\frac{100}{100}$ New. S:Old $\frac{100}{100}$ New. W:Add. Z:Discontinued. F:Interchangeable by set. K:Q'ty Change
 Copyright (C) YANMAR GLOBAL CS CO., LTD. All Rights Reserved.

Fig.13. FUEL INJECTION VALVE

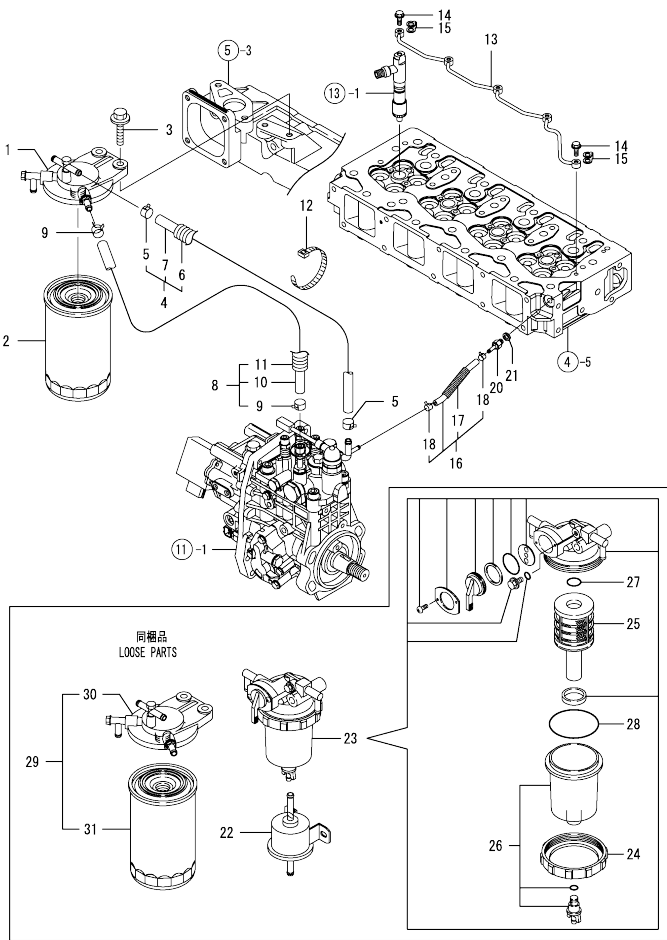


(A)=4TNV98-ZNTBL
(B)=
(C)=

(D)=
(E)=
(F)=

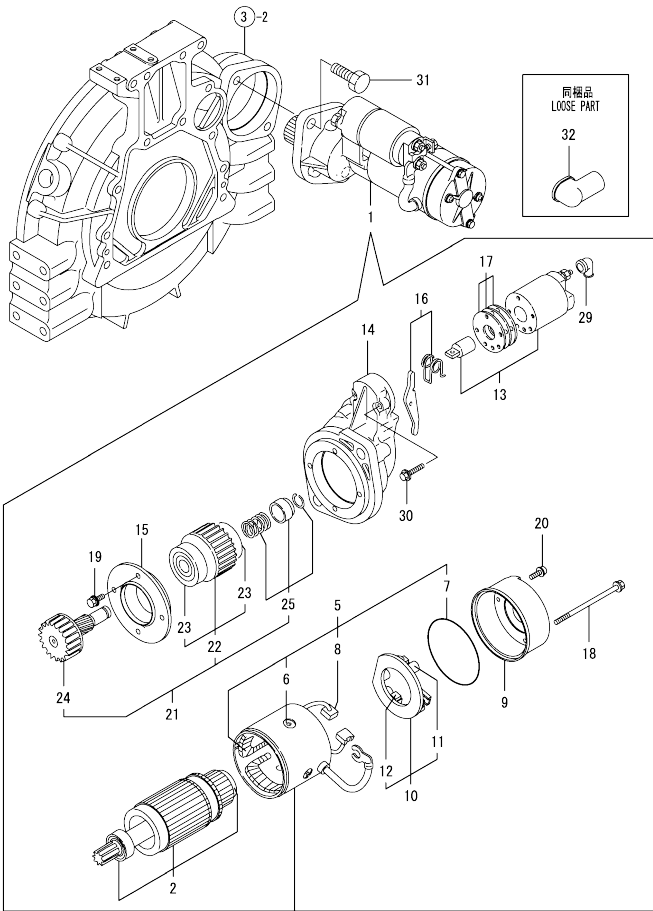
No.	Lev.	Parts No.	Description	Q'ty					
				(A)	(B)	(C)	(D)	(E)	(F)
1	1	729927-53100	FUEL INJECTOR ASSY	4					
2	2	129927-53000	NOZZLE ASSY, F.I.	4					
5	2	114250-53080	NUT, NOZZLE	4					
9	2	114250-53120	SPRING, NOZZLE	4					
10	2	114250-53130	SEAT, SPRING	4					
11	2	114250-53140	SPACER	4					
12	2	114250-53210	PIN	8					
13	2	114250-53400	SHIM SET	4					
25	1	123907-11601	SEAL, PIPE	4					
26	1	123472-59120	RETAINER, PIPE	2					
27	1	129150-59120	RETAINER, PIPE	1					
30	2	129150-59131	BOLT, M4X14	2					
32	1	129927-59810	PIPE ASSY, INJECTION	1					
33	1	129927-59820	PIPE ASSY, INJECTION	1					
34	1	129927-59830	PIPE ASSY, INJECTION	1					
35	1	129927-59840	PIPE ASSY, INJECTION	1					
36	1	26366-060002	NUT, M6	2					

Fig.14. FUEL LINE



No.	Lev.	Parts No.	Description	Qty						I	R
				(A)	(B)	(C)	(D)	(E)	(F)		
1	1	129004-55612 (A=2009.05.)	BRACKET, FILTER	1							Z
2	1	129907-55801 (A=2009.05.)	FILTER, FUEL	1							Z
3	1	26106-080302 (A=2009.05.)	BOLT, M8X 30 PLATED	2							Z
4	1	129457-59010 (A=2009.05.)	HOSE ASSY, FUEL	1							Z
5	2	124766-59050 (A=2009.05.)	CLAMP, HOSE 11.5	2							Z
6	2	129957-59120 (A=2009.05.)	TUBE, CORRUGATED 15	1							Z
7	2	105025-59750 (A=2009.05.)	HOSE, FUEL	1							Z
8	1	129961-59310 (A=2009.05.)	HOSE ASSY, FUEL	1							Z
9	2	124766-59050 (A=2009.05.)	CLAMP, HOSE 11.5	2							Z
10	2	129136-59110 (A=2009.05.)	HOSE, D13/7.5X270	1							Z
11	2	129961-59110 (A=2009.05.)	TUBE, CORRUGATED 15	1							Z
12	1	121750-59890 (A=2009.05.)	BAND, NYLON	1							Z
13	1	129907-59140	PIPE ASSY, RETURN	1							
14	1	123907-59540	BOLT, PIPE JOINT M6	5							
15	1	123907-59550	GASKET	5							
16	1	129927-59550	HOSE ASSY, RETURN	1							
17	2	129263-49750	TUBE, CORRUGATED	1							
18	2	124722-59050	CLAMP, HOSE 9	2							
20	1	123907-59560	JOINT, HOSE	1							
21	1	22190-080002	WASHER, SEAL 6	1							
22	1	129612-52100	PUMP, FUEL FEED	1							
23	1	129906-55700	SEPARATOR ASSY, WATER	1							
24	2	129100-55690	RING, CUP RETAINING	1							
25	2	119802-55710	ELEMENT	1							
26	2	119802-55730	CUP ASSY, SEPARATOR	1							
27	2	24311-000160	O-RING, 1AP16.0	1							
28	2	24321-000650	O-RING, 1AG65.0	1							
29	1	129940-55610 (A=2009.05.)	FILTER ASSY, FUEL	1							W
30	2	129004-55612 (A=2009.05.)	BRACKET, FILTER	1							W
31	2	129907-55801 (A=2009.05.)	FILTER, FUEL	1							W

Fig.15. STARTING MOTOR

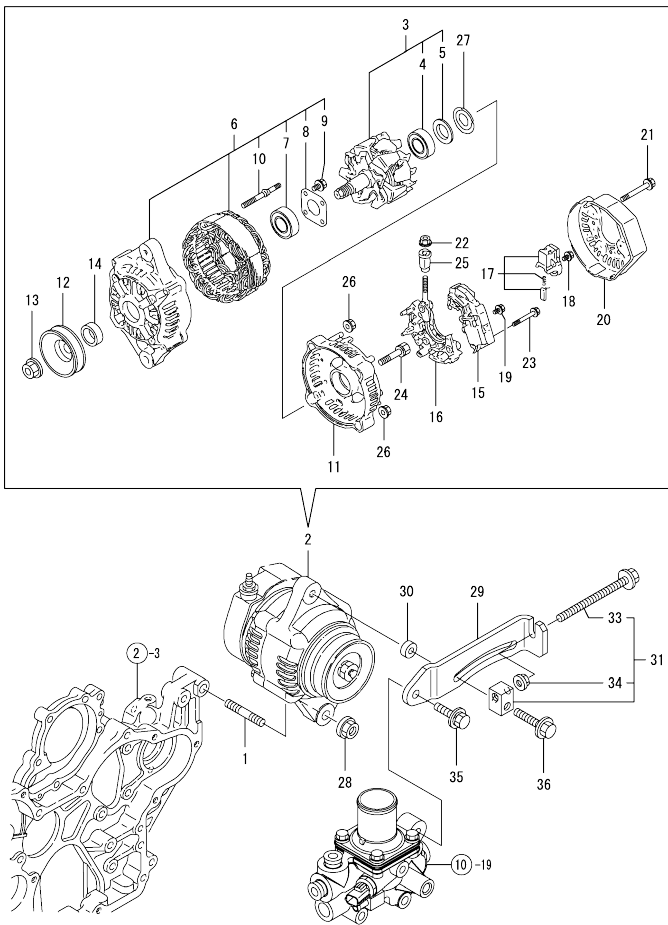


(A)=4TNV98-ZNTBL
(B)=
(C)=

(D)=
(E)=
(F)=

No.	Lev.	Parts No.	Description	Qty						I	R
				(A)	(B)	(C)	(D)	(E)	(F)		
1	1	129940-77010	STARTER ASSY	1							
2	2	129940-77100	ARMATURE ASSY	1							
5	2	129940-77130	COIL ASSY, FIELD	1							
6	3	129940-77140	SCREW, CORE SET	4							
7	3	129940-77150	O-RING	1							
8	3	129940-77160	BRUSH	2							
9	2	129940-77170	COVER	1							
10	2	129940-77180	HOLDER ASSY, BRUSH	1							
11	3	129940-77190	SPRING, BRUSH	1							
12	3	129940-77200	BRUSH	2							
13	2	129940-77210	SWITCH ASSY, MAGNET	1							
14	2	129940-77220	CASE, GEAR	1							
15	2	129940-77230	RETAINER, BEARING	1							
16	2	129940-77240	LEVER SET	1							
17	2	129940-77250	COVER KIT, DUST	1							
18	2	129940-77260	BOLT, THROUGH	2							
19	2	129940-77270	BOLT	4							
20	2	129940-77280	SCREW	2							
21	2	123900-77510	PINION ASSY	1							
22	3	123900-77520	CLUTCH ASSY	1							
23	4	X2240610100	BEARING, BALL	2							
24	3	123900-77540	SHAFT, PINION	1							
25	3	119131-77550	STOPPER SET, PINION	1							
29	2	121254-77810	COVER, TERMINAL	1							
30	2	114371-79070	BOLT	2							
31	1	26116-120302	BOLT, M12X 30 PLATED	2							
32	1	124550-77030	COVER, TERMINAL	1							

Fig.16. GENERATOR

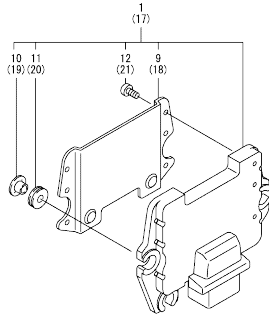


(A)=4TNV98-ZNTBL
(B)=
(C)=

(D)=
(E)=
(F)=

No.	Lev.	Parts No.	Description	Qty						I	R
				(A)	(B)	(C)	(D)	(E)	(F)		
1	1	129795-01900	BOLT, STUD M10X33	1							
2	1	129240-77200	ALTERNATOR, 12V-40A	1							
3	2	119620-77380	ROTOR ASSY	1							
4	3	123501-79240	BEARING, BALL	1							
5	3	119620-79250	COVER, BEARING	1							
6	2	119620-77421	FRAME ASSY,GENERATOR	1							
7	3	119620-79200	BEARING, BALL	1							
8	3	119620-79210	RETAINER	1							
9	3	119620-79220	SCREW	4							
10	3	119620-79230	BOLT, STUD	2							
11	2	119620-77440	FRAME ASSY	1							
12	2	119620-77461	PULLEY, GENERATOR	1							
13	2	119620-77471	NUT	1							
14	2	119620-77490	COLLAR	1							
15	2	129240-77710	REGULATOR ASSY	1							
16	2	119620-79260	HOLDER	1							
17	2	129052-79270	HOLDER, BRUSH	1							
18	2	119620-79290	SCREW	6							
19	2	119620-79300	SCREW	1							
20	2	129240-79300	COVER	1							
21	2	119620-79310	BOLT	3							
22	2	129240-79310	NUT	1							
23	2	119620-79320	SCREW	2							
24	2	119620-79330	BOLT	2							
25	2	119620-79340	BUSH, INSULATION	1							
26	2	119620-79350	NUT	2							
27	2	119620-79360	WASHER, THRUST	1							
28	1	26306-100002	NUT, M10	1							
29	1	129906-77300	ADJUSTER, BELT	1							
30	1	121236-77340	SPACER	1							
31	1	119624-77351	BLOCK ASSY, ADJUSTER	1							
33	2	26106-081004	BOLT, M8X100 PLATED	1							
34	2	26306-080002	NUT, M8	1							
35	1	26014-080252	BOLT, M8X 25	1							
36	1	26106-080552	BOLT, M8X 55 PLATED	1							

Fig.17. ELECTRONIC CONTROL UNIT (ECU)



(A)=4TNV98-ZNTBL
(B)=
(C)=

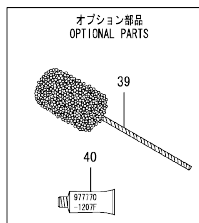
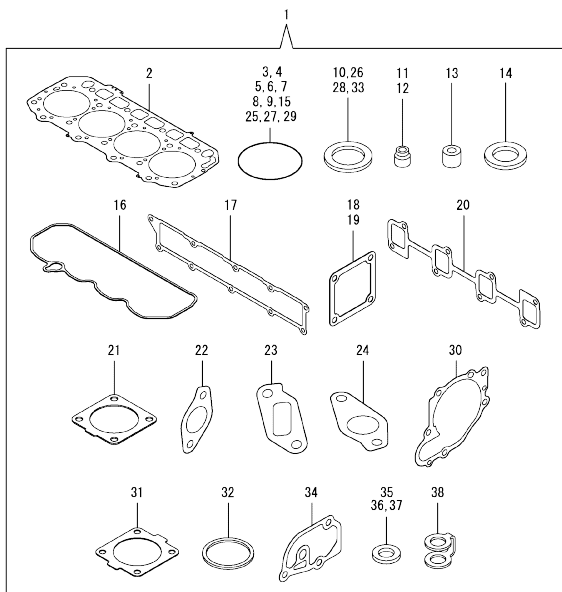
(D)=
(E)=
(F)=

No.	Lev.	Parts No.	Description	Q'ty						I	R
				(A)	(B)	(C)	(D)	(E)	(F)		
1	1	129939-75110	CONTROLLER ASSY, EUC	1							1
9	2	129927-77600	SHIELD, ECU	1							
10	2	129927-77680	COLLAR, CONTROL	3							
11	2	119578-91351	ABSORBER	3							
12	2	22877-500080	SCREW, 5X 8	6							
17	1	129927-75900	ECU ASSY, SERVICE	1							2
18	2	129927-77600	SHIELD, ECU	1							
19	2	129927-77680	COLLAR, CONTROL	3							
20	2	119578-91351	ABSORBER	3							
21	2	22877-500080	SCREW, 5X 8	6							

Remarks

(1)ECO ECU
THIS PART CANNOT BE ORDERED.
REPLACE THE PART USING A SERVICE
ECU WITH THE PROPER ENGINE
INFORMATION INSTALLED.
(2)SERVICE ECU
IF THE PROPER INFORMATION IS NOT
INSTALLED, THE ENGINE WILL NOT
OPERATE.
TO INSTALL PROPER INFORMATION,
GO TO AN AUTHORIZED DISTRIBUTOR.

Fig.18. GASKET SET



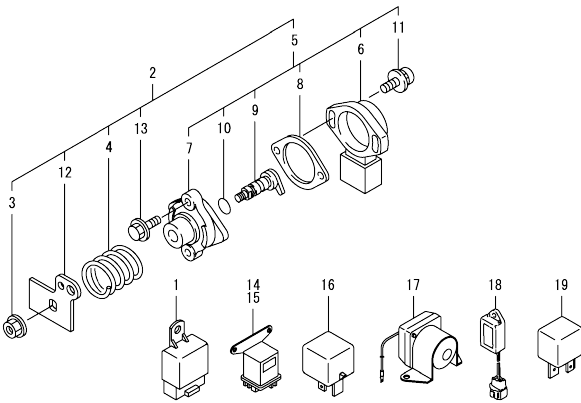
(A)=4TNV98-ZNTBL
(B)=
(C)=

(D)=
(E)=
(F)=

No.	Lev.	Parts No.	Description	Q'ty						I	R
				(A)	(B)	(C)	(D)	(E)	(F)		
1	1	729927-92600	GASKET SET	1							1
2	2	129907-01331	GASKET, HEAD	1							
3	2	129900-32030	O-RING, P20	2							
4	2	129900-32040	O-RING, P14	1							
5	2	24311-000070	O-RING, 1AP7.0	1							
6	2	24351-030750	O-RING, 1A3075	1							
7	2	24311-000300	O-RING, 1AP30.0	1							
8	2	24311-000320	O-RING, 1AP32.0	4							
9	2	24321-000850	O-RING, 1AG85.0	1							
10	2	22190-220002	WASHER, SEAL 22	1							
11	2	119803-11340	SEAL, VALVE STEM	8							
12	2	124160-11340	SEAL, VALVE STEM	8							
13	2	119802-11870	PROTECTOR, NOZZLE	4							
14	2	119625-11880	SEAT, NOZZLE	4							
15	2	24311-000120	O-RING, 1AP12.0	8							
16	2	129933-11310	GASKET, BONNET	1							
17	2	129907-12110	GASKET, MANIFOLD	1							
18	2	119129-77020	GASKET	1							
19	2	121850-77021	GASKET, AIR HEATER	1							
20	2	129900-13251	GASKET, EXH.MANIFOLD	1							
21	2	129930-13201	GASKET, SILENCER	2							
22	2	129927-13810	GASKET	1							
23	2	129927-13910	GASKET, EGR	1							
24	2	129927-13920	GASKET, EGR	1							
25	2	24341-000530	O-RING, 1AS53.0	1							
26	2	22190-300002	WASHER, SEAL 30	1							
27	2	24321-000600	O-RING, 1AG60.0	1							
28	2	22190-080002	WASHER, SEAL 6	9							
29	2	24311-240100	O-RING, 1AP10A	1							
30	2	129900-42020	GASKET, WATER PUMP	1							
31	2	121850-49540	GASKET, THERMOSTAT	1							
32	2	121850-49550	GASKET, THERMOSTAT	1							
33	2	22190-120002	WASHER, SEAL 12	1							
34	2	129900-49870	GASKET, THERMOSTAT	1							
35	2	23414-080000	GASKET, 8X1.0	1							
36	2	124465-44950	GASKET, 16	1							
37	2	129150-49360	GASKET	1							
38	2	123907-59550	GASKET	5							
39	1	129400-92450	HONE, FLEX	1							1
40	1	977770-1207F	GASKET, LIQUID	1							1

Remarks
(1) OPTIONAL PART.

Fig.19. LOOSE PART



(A)=4TNV98-ZNTBL
(B)=
(C)=

(D)=
(E)=
(F)=

No.	Lev.	Parts No.	Description	Q'ty						I	R
				(A)	(B)	(C)	(D)	(E)	(F)		
1	1	198461-52950	RELAY, CA TYPE C	2							
2	1	129938-77800	SENSOR ASSY, ACCEL	1							
2-1	1	129939-77800	SENSOR ASSY, ACCEL	1							N
(A=EXXXXX)											
3	2	194990-22130	NUT, M6	1							
4	2	119060-61990	SPRING, RETURN	1							
5	2	129054-77800	SENSOR ASSY, ACCEL	1							Z
(A=EXXXXX)											
5-1	2	129939-77810	SENSOR ASSY, ACCEL	1							W
(A=EXXXXX)											
6	3	185100-50070	BODY	1							
7	3	129054-77811	SUPPORT, SENSOR	1							Z
(A=EXXXXX)											
7-1	3	129939-77820	SUPPORT, ACCEL SENSO	1							W
(A=EXXXXX)											
8	3	129054-77820	GASKET	1							
9	3	129054-77830	SHAFT ASSY	1							
10	3	24311-000070	O-RING, 1AP7.0	1							
11	3	26023-040202	SCREW, M4X20	2							
12	2	129938-77810	LEVER, SENSOR	1							
13	2	26106-060122	BOLT, M6X 12 PLATED	2							
14	1	119646-77900	RELAY, POWER	1							
15	1	119646-77900	RELAY, POWER	1							
16	1	129927-77900	RELAY, ISO 90A	1							
17	1	129100-77910	RELAY, MAGNETIC	1							
18	1	128300-77920	TIMER	1							
19	1	129927-77920	RELAY, ISO 70A	1							

Parts No. Index

Parts No.	Fig. No.	Ref. No.	Parts No.	Fig. No.	Ref. No.	Parts No.	Fig. No.	Ref. No.	Parts No.	Fig. No.	Ref. No.
105010-39140	9	37	119625-11880	4	27	123907-03110	4	57	129150-49080	10	55
105025-59750	14	7		18	14	123907-03120	4	58	129150-49100	10	54
105840-59100	10	59	119629-49080	10	57	123907-03140	4	59	129150-49360	10	39
114250-39450	9	26	119640-01640	3	9	123907-11280	4	36		18	37
114250-53080	13	5	119640-61400	4	62	123907-11550	4	4	129150-59120	13	27
114250-53120	13	9	119646-77900	19	14	123907-11601	13	25	129150-59131	13	30
114250-53130	13	10			15	123907-11820	4	22	129240-77200	16	2
114250-53140	13	11	119660-61300	12	19	123907-11830	4	21	129240-77710	16	15
114250-53210	13	12	119802-11870	4	26	123907-39500	9	29	129240-79300	16	20
114250-53400	13	13		18	13	123907-59540	14	14	129240-79310	16	22
114371-79070	15	30	119802-13680	6	6	123907-59550	14	15	129263-13210	6	4
119000-35140	9	6	119802-51680	11	63		18	38	129263-49750	14	17
119005-77050	5	9	119802-51690	11	64	123907-59560	14	20	129263-77941	11	122
119060-61990	19	4	119802-55710	14	25	124160-01751	2	30	129400-92450	18	39
119129-77020	5	7	119802-55730	14	26		4	51	129418-18320	6	3
	18	18	119803-11340	4	16	124160-11340	4	17	129457-59010	14	4
119129-77520	5	10		18	11		18	12	129466-44510	10	48
119130-44760	10	17	119852-51630	11	68	124160-11360	4	67	129612-52100	14	22
119131-18320	6	7	119852-51640	11	69	124450-44560	10	51	129657-51590	11	58
119131-77550	15	25	119852-51650	11	71	124465-44950	10	37	129657-51600	11	59
119225-11740	2	25	119934-59910	11	129		18	36	129795-01900	16	1
119225-11750	2	27	120130-22301	8	21	124550-77030	15	32	129900-01200	1	27
119260-34810	9	42	121023-26070	2	36	124722-59050	14	18	129900-01250	1	4
119266-49350	10	38	121027-11743	2	26	124766-59050	14	5	129900-01740	2	32
119578-91351	17	11	121236-77340	16	30		9		129900-01850	2	42
		20	121254-77810	15	29	128300-77920	19	18	129900-01870	2	43
119593-11301	4	31	121267-44590	10	53	129001-91810	2	33	129900-02020	1	6
119620-01750	3	4	121450-42450	10	36		44		129900-02341	1	32
119620-11180	4	15	121450-44531	10	50	129004-55612	14	1	129900-02410	1	9
119620-77380	16	3	121468-44540	10	49		30		129900-02931	1	24
119620-77421	16	6	121470-44581	10	52	129005-59830	9	31	129900-02941	1	35
119620-77440	16	11	121550-49111	10	35	129052-79270	16	17	129900-13251	6	5
119620-77461	16	12	121750-59890	14	12	129054-77800	19	5		18	20
119620-77471	16	13	121850-21130	8	11	129054-77811	19	7	129900-14110	7	6
119620-77490	16	14	121850-21290	8	4	129054-77820	19	8	129900-21220	8	3
119620-79200	16	7	121850-21920	8	5	129054-77830	19	9	129900-21600	8	14
119620-79210	16	8	121850-49540	10	24	129100-01580	2	1	129900-23001	8	23
119620-79220	16	9		18	31		3	1	129900-23200	8	26
119620-79230	16	10	121850-49550	10	25	129100-55690	14	24	129900-23601	8	27
119620-79250	16	5		18	32	129100-77910	19	17	129900-23611	8	30
119620-79260	16	16	121850-49800	10	26	129136-59110	14	10	129900-23911	8	29
119620-79290	16	18	121850-77021	5	8	129150-02450	7	4	129900-25110	7	10
119620-79300	16	19		18	19	129150-11230	4	39	129900-26020	7	20
119620-79310	16	21	123472-59120	13	26		43		129900-26250	2	16
119620-79320	16	23	123501-79240	16	4	129150-11750	4	20	129900-32001	2	4
119620-79330	16	24	123900-25060	7	9		40		129900-32030	2	17
119620-79340	16	25	123900-77510	15	21		44			9	19
119620-79350	16	26	123900-77520	15	22	129150-14200	7	1		18	3
119620-79360	16	27	123900-77540	15	24	129150-25920	7	13	129900-32040	2	18
119624-77351	16	31	123907-03100	4	56	129150-35153	9	9		18	4

Parts No. Index

Parts No.	Fig. No.	Ref. No.	Parts No.	Fig. No.	Ref. No.	Parts No.	Fig. No.	Ref. No.	Parts No.	Fig. No.	Ref. No.
129900-35000	9	20	129927-13100	6	2	129939-12640	5	17	129953-39500	9	12
129900-42020	10	11	129927-13150	6	1	129939-12650	5	18	129957-59120	14	6
	18	30	129927-13800	6	16	129939-34700	9	45	129960-21640	8	8
129900-49870	10	31	129927-13810	6	17	129939-34710	9	44	129961-59110	14	11
	18	34		18	22	129939-34810	9	40	129961-59310	14	8
129902-01710	3	8	129927-13900	6	20	129939-34820	9	41	129962-01500	2	3
129902-21050	8	1	129927-13910	6	21	129939-34860	9	47	129970-35140	9	7
129906-51580	11	56		18	23	129939-34861	9	47 -1	144626-51090	11	9
129906-55700	14	23	129927-13920	6	22	129939-34862	9	47 -2	158552-51570	11	54
129906-77300	16	29		18	24	129939-34863	9	47 -3	158552-51580	11	57
129907-01331	1	28	129927-22050	8	17	129939-34870	9	46	158552-51670	11	125
	18	2	129927-22080	8	15	129939-75110	17	1	158552-51781	11	96
129907-03011	4	53	129927-39060	9	27	129939-77800	19	2 -1	158552-52100	11	127
129907-03061	4	54	129927-42000	10	1	129939-77810	19	5 -1	158552-52310	11	102
129907-03070	4	55	129927-42140	2	18 A	129939-77820	19	7 -1	158552-52400	11	103
129907-07900	4	1	129927-44900	10	20	129940-55610	14	29	158552-52500	11	128
129907-11100	4	12	129927-49610	10	40	129940-77010	15	1	158553-51670	11	62
129907-11110	4	13	129927-49620	10	44	129940-77100	15	2	158553-51680	11	74
129907-11120	4	14	129927-51250	11	136	129940-77130	15	5	158553-61780	12	23
129907-11250	4	33	129927-51390	11	20 A	129940-77140	15	6	158557-51570	11	55
129907-11260	4	34	129927-51650	11	120	129940-77150	15	7	158557-61720	12	22
129907-11270	4	35	129927-51660	11	121	129940-77160	15	8	158563-51150	7	17
129907-11341	4	32	129927-51670	11	124	129940-77170	15	9		11	12
129907-11510	4	18	129927-53000	13	2	129940-77180	15	10	158563-51281	11	19
129907-11650	4	37	129927-59550	14	16	129940-77190	15	11		20	
129907-11660	4	41	129927-59810	13	32	129940-77200	15	12	158563-51330	11	30
129907-11800	4	25	129927-59820	13	33	129940-77210	15	13	158600-51270	11	18
129907-11910	4	28	129927-59830	13	34	129940-77220	15	14	158601-51550	11	52
129907-11920	4	45	129927-59840	13	35	129940-77230	15	15	158601-51650	11	123
129907-11950	4	29	129927-75900	17	17	129940-77240	15	16	158601-51770	11	95
129907-12110	5	1	129927-77600	17	9	129940-77250	15	17	158601-51790	11	97
	18	17		18	18	129940-77260	15	18	171051-01921	1	5
129907-14400	7	2	129927-77680	17	10	129940-77270	15	19	175339-79700	4	63
129907-25900	7	16		19	19	129940-77280	15	20	185100-50070	19	6
129907-34801	9	1	129927-77900	19	16	129944-07910	4	2	194990-22130	19	3
129907-51560	11	53	129927-77920	19	19	129944-13520	6	10	198461-52950	19	1
129907-55801	14	2	129930-13201	6	9	129944-13660	6	11	22157-080000	6	12
		31		25	25	129944-35110	9	2	22190-080002	9	32
129907-59140	14	13		18	21	129944-35150	9	8		34	
129908-14590	7	3	129930-39050	9	36	129944-35210	9	10		38	
129916-01790	3	7	129930-42450	10	14	129944-39101	9	13		14	21
129916-01800	2	41	129933-11310	4	61	129948-12660	5	19		18	28
129916-21610	8	7		18	16	129951-34801	9	1 -1		10	28
129916-21680	8	9	129938-49800	10	19			39		11	98
129916-44740	10	16	129938-77800	19	2	129953-01620	3	2			105
129916-49530	10	22	129938-77810	19	12	129953-21570	8	12			130
129927-11320	4	52	129939-12510	5	13	129953-25300	7	15		18	33
129927-11700	4	5	129939-12610	5	14	129953-35110	9	5	22190-180002	11	99
129927-12100	5	3	129939-12620	5	15	129953-39101	9	14	22190-220002	3	11
129927-12150	5	2	129939-12630	5	16	129953-39500	9	4		18	10

Parts No. Index

Parts No.	Fig. No.	Ref. No.
22190-300002	9	15
	18	26
22217-050000	11	131
22217-180000	7	18
	11	106
22252-000300	8	22
22312-050140	11	107
22351-050010	11	108
22351-060012	1	10
22512-070140	7	7
	8	6
22857-500100	4	64
		65
22877-500080	17	12
		21
23080-012000	10	43
		47
23414-080000	10	32
	18	35
23414-120000	12	24
23857-030000	9	33
23875-030000	10	29
23876-020000	4	9
23876-030000	1	11
		12
		13
	4	10
23887-120002	11	100
	12	25
24311-000070	2	19
	11	109
	18	5
	19	10
24311-000120	4	30
		68
	18	15
24311-000160	14	27
24311-000300	2	28
	18	7
24311-000320	2	29
		31
	4	69
	18	8
24311-240100	9	43
	18	29
24316-240100	9	48
24321-000600	9	16
	18	27
24321-000650	14	28
24321-000850	2	37

Parts No.	Fig. No.	Ref. No.
24321-000850	18	9
24341-000480	12	26
24341-000530	8	10
	18	25
24351-030750	2	20
	18	6
24356-010200	11	65
		110
24356-020210	11	111
24372-000150	11	66
25152-004150	10	15
26014-080252	16	35
26023-040202	19	11
26106-060102	11	112
26106-060122	4	66
	11	132
	19	13
26106-060202	10	30
26106-060252	12	27
26106-060302	10	12
26106-060352	11	113
26106-080122	3	12
	9	25
		35
	10	33
26106-080162	2	21
		34
		45
	4	3
	6	13
	7	8
26106-080202	2	22
	6	14
	11	137
26106-080252	12	28
26106-080302	11	138
	14	3
26106-080352	10	18
26106-080402	2	35
		46
	4	47
	5	11
26106-080452	2	23
	5	5
26106-080502	9	17
26106-080552	7	14
	10	13
	16	36
26106-080602	4	48
		49

Parts No.	Fig. No.	Ref. No.
26106-080602	10	34
26106-080802	5	6
26106-080902	5	12
26106-081004	16	33
26106-100202	2	38
26106-100302	6	18
		23
26106-100452	9	18
26106-100952	6	24
26116-120302	15	31
26206-100352	3	5
26206-100702	3	6
26216-060202	5	4
26216-100302	2	15
26226-080222	4	46
26306-080002	4	50
	6	8
		15
	16	34
26306-100002	2	24
	16	28
26366-060002	13	36
26450-100452	11	116
26716-050002	11	133
26776-180002	7	19
	11	117
	11	134
27241-160000	11	134
27241-300000	1	14
27241-400000	4	11
27310-070001	4	23
729900-02801	1	29
729907-01559	2	39
729927-01560	1	1
729927-22900	8	32
729927-22950	8	34
729927-53100	13	1
729927-92600	18	1
729939-51300	11	1
977770-1207F	18	40
X2240610100	15	23

Parts No.	Fig. No.	Ref. No.
-----------	----------	----------