

0CW10-M42200EN

# P R E F A C E

1. This Parts catalog is the 1st edition of 4TNV98-ZNFA for FARESIN.

Pub.No. : 000Y00W4220

Published : July , 2008

2. Model name

Engine model	Vehicle	Vehicle made by
4TNV98-ZNFA	TELESCOPICHANDLER	FARESIN

## Directions for the Parts Catalog.

1. This Parts Catalog shows both standard and optional parts.
2. Parts may change without prior notice.
3. The following is an example of the Parts Catalog format.

REF.	LEV.	PARTS NO.	DESCRIPTION	Q'TY						I	R
				(A)	(B)	(C)	(D)	(E)	(F)		
1	1	729595-51390	FUEL INJECTION PUMP	1	1	1	1	1			1
1-1	1	729595-51391	FUEL INJECTION PUMP	1	1	1	1	1		N	1
		(A=E00185) (B=E00200)									
3	2	26022-060162	SCREW M 6X 16	9	9	9	9	9			
3-1	2	26022-060162	SCREW M 6X 16	4	4	4	4	4		K	
		(A=E00156) (B=E00156) (C=E00156) (D=E00156) (E=E00156)									
4	2	129470-51040	CAMSHAFT	1	1	1	1	1			
5	2	122710-51050	BEARING, ROLLER	2	2	2	2	2			
6	2	129470-51060	RETAINER	1	1	1	1	1			

Remarks
(1) BOOST COMPEMSATOR TYPE. OPTIONAL PART, TO E00155,(4JH-DT, 4JH-DTZ

### ① Ref. No.

The Ref. No. listed may not be in accordance with the illustration Ref. No.

(Ex.) Illustration No.

List Ref No.

1 1 (Before change) → 1-1 (After change)

For interchangeable symbols N, R and K, illustrations for new parts may be abbreviated.

### ② Lev. (Level)

Level indication

The numbers below indicate the level of relativity towards the main part.

1 ---- Main parts (Assembly parts)

2 ---- Sub component included in " 1 ".

3 ---- Sub component included in " 2 ".

Note) Parts that are not for sale are partially illustrated but not listed.

### ③ Interchangeability Symbol

When a part change takes place, one of the following interchangeability symbols is indicated beside the part.

Symbol	Interchangeability	Contents note
N	Old $\begin{matrix} \leftarrow \text{Yes} \\ \text{No} \rightarrow \end{matrix}$ New	New Part is interchangeable for Old Part but Old Part is not interchangeable for New Part.
Q	Old $\begin{matrix} \leftarrow \text{No} \\ \text{Yes} \rightarrow \end{matrix}$ New	New Part is not interchangeable for Old Part but Old Part is interchangeable for New Part.
R	Old $\begin{matrix} \leftarrow \text{Yes} \\ \text{Yes} \rightarrow \end{matrix}$ New	New/ Old Parts are both interchangeable.
S	Old $\begin{matrix} \leftarrow \text{No} \\ \text{No} \rightarrow \end{matrix}$ New	New/ Old Parts are both not interchangeable.
W		Part newly added.
Z		Part discontinued.
F		Not interchangeable by a single part but interchangeable together with related parts.
K		Changes only for used parts quantities.

### ④ Effective Machine No.

When a part changes, the effective Machine No. will be indicated in the (A)-(F) column.

Product Symbol	Product No.	Product Symbol	Product No.
C	Clutch No. Compressor No.	F	Machine No. (Agricultural Equip.)
D	Drive No.	M	Machine No.
E	Engine No.		

Note 1) A date may follow the symbol. (Ex.) 1996.01

Note 2) "XXXXX" and "ZZZZZ" are for parts that could not be predicted or for engine models that could not be identified.

Note 3) (A=E00185) is the E (Engine Serial Number) for the column (A) model (in this case 4JH-DT) after the parts design change.

### ⑤ Remarks

Figures or alphabets (symbols) are entered in the remarks column.

The comments (remarks) on parts that are indicated at the bottom of the illustration are the same symbols as those stated above.

## Contents

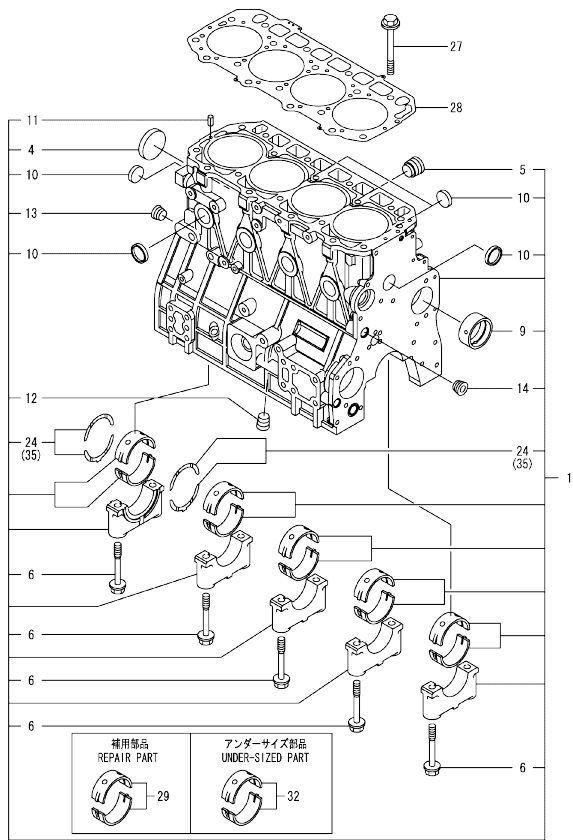
0CW10-M42200

Fig. No.	Fig. Name	Fig. No.	Fig. Name
4	TNV98-ZNFA		
1.	CYLINDER BLOCK		
2.	GEAR HOUSING		
3.	FLYWHEEL HOUSING & OIL SUMP		
4.	CYLINDER HEAD & BONNET		
5.	SUCTION MANIFOLD		
6.	EXHAUST MANIFOLD		
7.	CAMSHAFT & DRIVING GEAR		
8.	CRANKSHAFT & PISTON		
9.	LUB.OIL SYSTEM		
10.	COOLING WATER SYSTEM		
11.	FUEL INJECTION PUMP		
12.	GOVERNOR		
13.	FUEL INJECTION VALVE		
14.	FUEL LINE		
15.	STARTING MOTOR		
16.	GENERATOR		
17.	ELECTRONIC CONTROL UNIT (ECU)		
18.	GASKET SET		

Fig.1. CYLINDER BLOCK

(A)=4TNV98-ZNFA  
(B)=  
(C)=

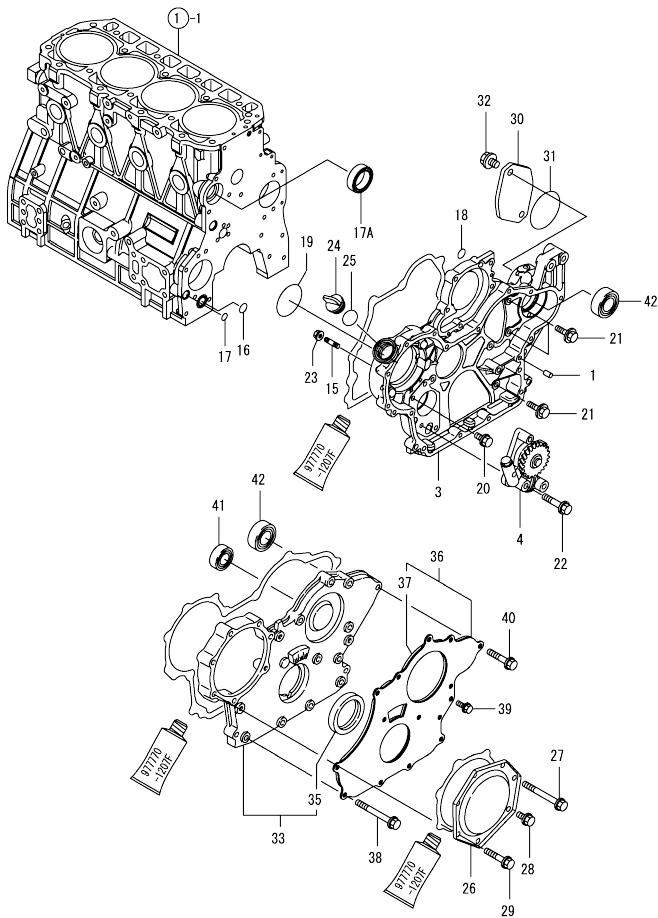
(D)=  
(E)=  
(F)=



No.	Lev.	Parts No.	Description	Q'ty						I	R
				(A)	(B)	(C)	(D)	(E)	(F)		
1	1	729927-01560	BLOCK ASSY, CYLINDER	1							
4	2	129900-01250	PLUG, DISH TYPE 55	1							
5	2	171051-01921	PLUG, NPTF1	1							
6	2	129900-02020	BOLT, METAL CAP	10							
9	2	129900-02410	BUSH, CAMSHAFT	1							
10	2	27241-300000	PLUG 30	8							
11	2	22351-060012	PIN, SPRING 6.0X12	2							
12	2	23876-030000	PLUG, R03	1							
13	2	23876-030000	PLUG, R03	1							
14	2	23876-030000	PLUG, R03	1							
24	2	129900-02931	BEARING ASSY, THRUST	2							
27	1	129900-01200	BOLT, CYLINDER HEAD	18							
28	1	129907-01331	GASKET, HEAD	1							
29	1	729900-02801	BEARING, MAIN	5							1
32	1	129900-02341	BEARING ASSY, MAIN	5							2
35	1	129900-02941	BEARING, THRUST 0.25	2							3

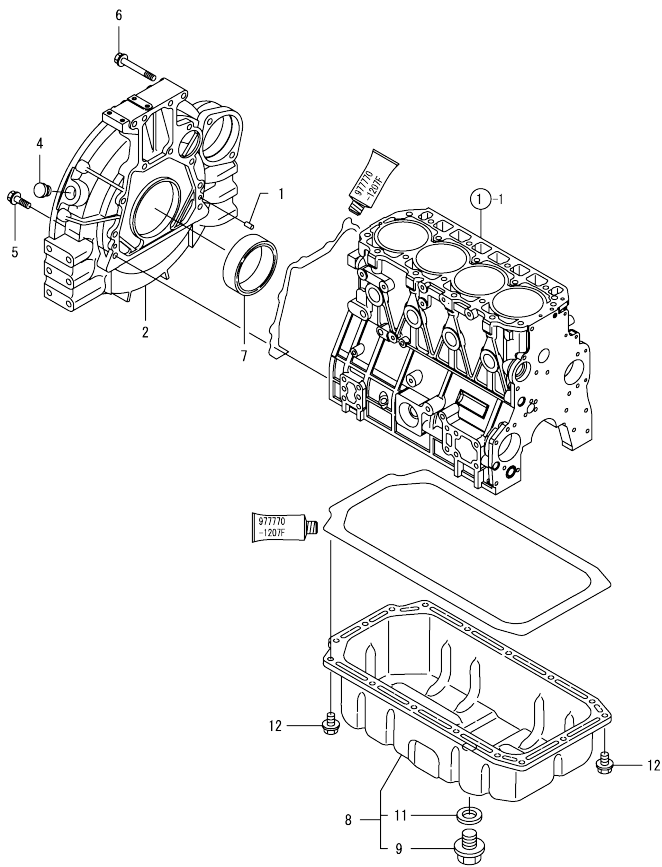
Remarks  
(1) REPAIR PART.  
(2) UNDER-SIZED(U.S=0.25)PART.  
(3) OVER-SIZED(O.S=0.25)PART.

Fig.2. GEAR HOUSING



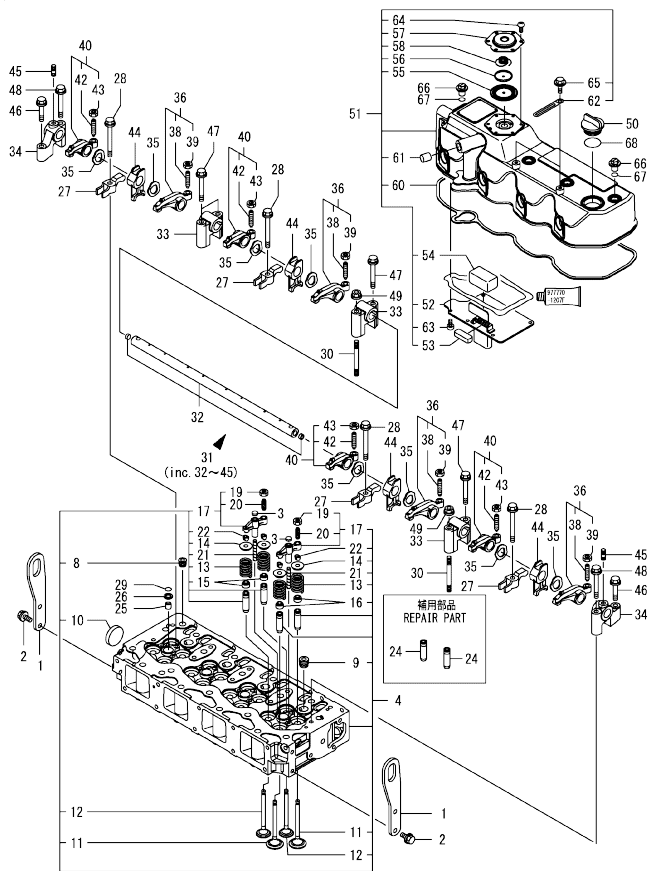
No.	Lev.	Parts No.	Description	Q'ty						I	R
				(A)	(B)	(C)	(D)	(E)	(F)		
1	1	129100-01580	PIN, PARALLEL 8X16	4							
3	1	129962-01500	CASE, GEAR	1							
4	1	129900-32001	PUMP ASSY, OIL	1							
15	1	26216-100302	STUD, M10X 30	4							
16	1	129900-32030	O-RING, P20	1							
17	1	129900-32040	O-RING, P14	1							
17A	1	129927-42140	GASKET, PUMP OUTLET	1							W
(A=ET5571)											
18	1	24311-000070	O-RING, 1AP7.0	1							
19	1	24351-030750	O-RING, 1A3075	1							
20	1	26106-080162	BOLT, M8X 16 PLATED	1							
21	1	26106-080202	BOLT, M8X 20 PLATED	3							
22	1	26106-080452	BOLT, M8X 45 PLATED	3							
23	1	26306-100002	NUT, M10	4							
24	1	124160-01751	CAP, FILLER	1							
25	1	24311-000320	O-RING, 1AP32.0	1							
26	1	129900-01740	COVER	1							
27	1	129001-91810	BOLT, M8X70	1							
28	1	26106-080162	BOLT, M8X 16 PLATED	1							
29	1	26106-080402	BOLT, M8X 40 PLATED	5							
30	1	121023-26070	COVER, PUMP	1							
31	1	24321-000850	O-RING, 1AG85.0	1							
32	1	26106-100202	BOLT, M10X 20 PLATED	2							
33	1	729907-01559	COVER ASSY, GEAR CASE	1							
35	2	129916-01800	SEAL, OIL	1							
36	1	129900-01850	COVER ASSY, GEAR CASE	1							
37	2	129900-01870	SPONGE, GEAR CASE	1							
38	1	129001-91810	BOLT, M8X70	6							
39	1	26106-080162	BOLT, M8X 16 PLATED	3							
40	1	26106-080402	BOLT, M8X 40 PLATED	5							
41	1	129900-14140	BEARING, BALL 6205	1							
42	1	129900-26250	BEARING, BALL 6206C3	2							

Fig.3. FLYWHEEL HOUSING & OIL SUMP



No.	Lev.	Parts No.	Description	Q'ty					
				(A)	(B)	(C)	(D)	(E)	(F)
1	1	129100-01580	PIN, PARALLEL 8X16	2					
2	1	129900-01620	HOUSING, FLYWHEEL	1					
4	1	119620-01750	CAP	1					
5	1	26206-100352	BOLT, M10X 35 PLATED	9					
6	1	26206-100702	BOLT, M10X 70 PLATED	4					
7	1	129916-01790	SEAL, D115/95XT11	1					
8	1	129916-01710	OIL PAN ASSY	1					
9	2	119640-01640	PLUG, DRAIN M22	1					
11	2	22190-220002	WASHER, SEAL 22	1					
12	1	26106-080122	BOLT, M8X 12 PLATED	16					

Fig.4. CYLINDER HEAD & BONNET



(A)=4TNV98-ZNFA  
(B)=  
(C)=

(D)=  
(E)=  
(F)=

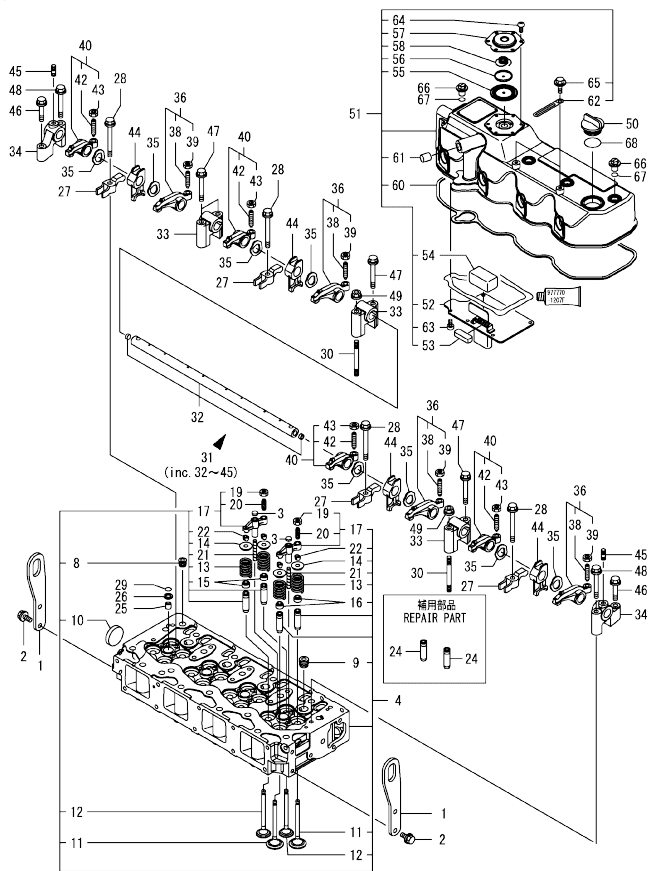
No.	Lev.	Parts No.	Description	Q'ty						I	R
				(A)	(B)	(C)	(D)	(E)	(F)		
1	1	129907-07900	LIFTER, ENGINE	2							
2	1	26106-080162	BOLT, M8X 16 PLATED	4							
3	1	123907-11550	SEAT, VALVE BRIDGE	8							
4	1	129927-11700	HEAD ASSY, CYLINDER	1							
8	2	23876-020000	PLUG, R02	1							
9	2	23876-030000	PLUG, R03	4							
10	2	27241-400000	PLUG, 40	1							
11	2	129907-11100	VALVE, SUCTION	8							
12	2	129907-11110	VALVE, EXHAUST	8							
13	2	129907-11120	SPRING, VALVE	16							
14	2	119620-11180	RETAINER, SPRING	16							
15	2	119803-11340	SEAL, VALVE STEM	8							
16	2	124160-11340	SEAL, VALVE STEM	8							
17	2	129907-11510	BRIDGE ASSY, VALVE	8							
19	3	129150-11750	NUT, M8	8							
20	3	123907-11830	ADJUSTER	8							
21	2	123907-11820	GUIDE, BRIDGE	8							
22	2	27310-070001	COTTER, 7	16							
24	1	129907-11800	GUIDE, VALVE	16							1
25	1	119802-11870	PROTECTOR, NOZZLE	4							
26	1	119625-11880	SEAT, NOZZLE	4							
27	1	129907-11910	RETAINER, NOZZLE	4							
28	1	129907-11950	BOLT, M8X75	4							
29	1	24311-000120	O-RING, 1AP12.0	4							
30	1	119593-11301	BOLT, STUD M8X80	2							
31	1	129907-11341	SHAFT ASSY, ROCKER	1							
32	2	129907-11250	SHAFT, ROCKER ARM	1							
33	2	129907-11260	SUPPORT, ROCKER ARM	3							
34	2	129907-11270	SUPPORT, ROCKER ARM	2							
35	2	123907-11280	WASHER	8							
36	2	129907-11650	ARM ASSY, ROCKER	4							
38	3	129150-11230	SCREW, VALVE ADJUST	4							
39	3	129150-11750	NUT, M8	4							
40	2	129907-11660	ARM ASSY, ROCKER	4							
42	3	129150-11230	SCREW, VALVE ADJUST	4							
43	3	129150-11750	NUT, M8	4							
44	2	129907-11920	RETAINER, NOZZLE	4							
45	2	26226-080222	STUD, M8X 22	2							
46	1	26106-080402	BOLT, M8X 40 PLATED	2							
47	1	26106-080602	BOLT, M8X 60 PLATED	4							
48	1	26106-080602	BOLT, M8X 60 PLATED	2							
49	1	26306-080002	NUT, M8	2							
50	1	124160-01751	CAP, FILLER	1							
51	1	129927-11320	BONNET ASSY, HEAD	1							
52	2	129907-03011	PLATE, BAFFLE	1							
53	2	129907-03061	BAFFLE, BREATHER	1							
54	2	129907-03070	BAFFLE, BREATHER	1							
55	2	123907-03100	DIAPHRAGM	1							
56	2	123907-03110	PLATE	1							
57	2	123907-03120	PLATE, BREATHER	1							
58	2	123907-03140	SPRING, DIAPHRAGM	1							

Remarks  
(1) REPAIR PART.

N:Old  $\frac{New}{Old}$ ; New, Q:Old  $\frac{New}{Old}$ ; New, R:Old  $\frac{New}{Old}$ ; New, S:Old  $\frac{New}{Old}$ ; New, W:Add, Z:Discontinued, F:Interchangeable by set, K:Q'ty Change  
++ CONTINUE ++  
Copyright (C) YANMAR GLOBAL CS CO., LTD. All Rights Reserved.



Fig.4. CYLINDER HEAD & BONNET



(A)=4TNV98-ZNFA  
(B)=  
(C)=

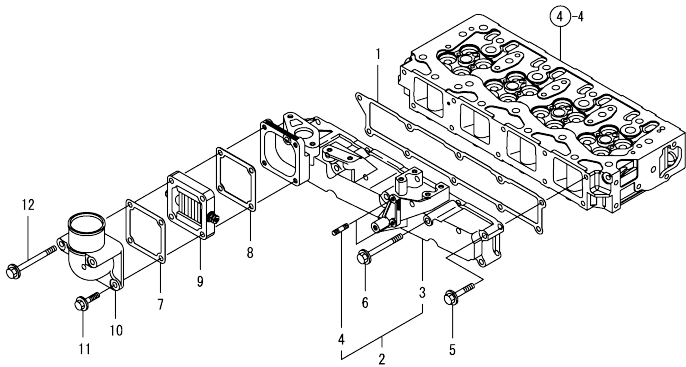
(D)=  
(E)=  
(F)=

No.	Lev.	Parts No.	Description	Qty						I	R	
				(A)	(B)	(C)	(D)	(E)	(F)			
60	2	129933-11310	GASKET, BONNET	1								
61	2	119640-61400	PLUG	1								
62	2	175339-79700	CLIP	2								
63	2	22857-500100	SCREW, 5X10	6								
64	2	22857-500100	SCREW, 5X10	6								
65	2	26106-060122	BOLT, M6X 12 PLATED	2								
66	1	124160-11360	KNOB	4								
67	1	24311-000120	O-RING, 1AP12.0	4								
68	1	24311-000320	O-RING, 1AP32.0	1								

Remarks  
(1) REPAIR PART.

N:Old  $\frac{100}{100}$  New, Q:Old  $\frac{100}{100}$  New, R:Old  $\frac{100}{100}$  New, S:Old  $\frac{100}{100}$  New, W:Add, Z:Discontinued, F:Interchangeable by set, K:Qty Change  
Copyright (C) YANMAR GLOBAL CS CO., LTD. All Rights Reserved.

Fig.5. SUCTION MANIFOLD

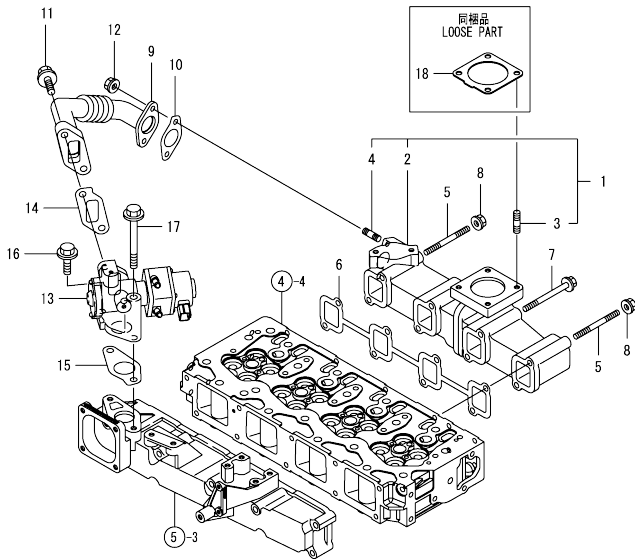


(A)=4TNV98-ZNFA  
(B)=  
(C)=

(D)=  
(E)=  
(F)=

No.	Lev.	Parts No.	Description	Q'ty						I	R
				(A)	(B)	(C)	(D)	(E)	(F)		
1	1	129907-12110	GASKET, MANIFOLD	1							
2	1	129927-12150	MANIFOLD ASSY,INTAKE	1							
3	2	129927-12100	MANIFOLD, AIR INTAKE	1							
4	2	26216-060202	STUD, M6X 20	2							
5	1	26106-080452	BOLT, M8X 45 PLATED	6							
6	1	26106-080802	BOLT, M8X 80 PLATED	4							
7	1	119129-77020	GASKET	1							
8	1	121850-77021	GASKET, AIR HEATER	1							
9	1	119005-77051	HEATER, AIR	1							
10	1	119129-77520	BEND	1							
11	1	26106-080402	BOLT, M8X 40 PLATED	2							
12	1	26106-080902	BOLT, M8X 90 PLATED	2							

Fig.6. EXHAUST MANIFOLD

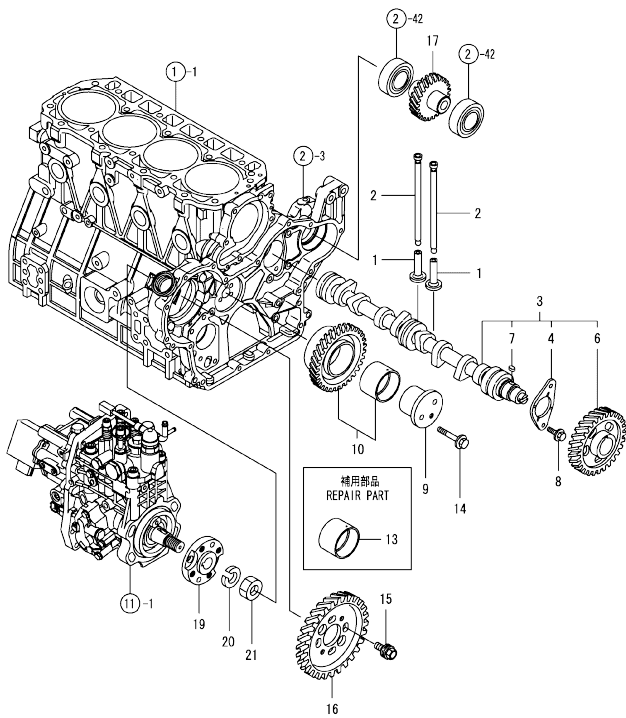


(A)=4TNV98-ZNFA  
(B)=  
(C)=

(D)=  
(E)=  
(F)=

No.	Lev.	Parts No.	Description	Q'ty						I	R
				(A)	(B)	(C)	(D)	(E)	(F)		
1	1	129927-13150	MANIFOLD ASSY, EXH.	1							
2	2	129927-13100	MANIFOLD, EXHAUST	1							
3	2	119131-18320	BOLT, STUD M8X22	4							
4	2	129418-18320	BOLT, STUD M8X20	2							
5	1	129263-13210	BOLT, STUD M8X90	2							
6	1	129900-13251	GASKET, EXH.MANIFOLD	1							
7	1	119802-13680	BOLT, M8X90 10.9T	6							
8	1	26306-080002	NUT, M8	2							
9	1	129927-13800	PIPE ASSY, EGR	1							
10	1	129927-13810	GASKET	1							
11	1	26106-100302	BOLT, M10X 30 PLATED	2							
12	1	26306-080002	NUT, M8	2							
13	1	129927-13900	VALVE, EGR	1							
14	1	129927-13910	GASKET, EGR	1							
15	1	129927-13920	GASKET, EGR	1							
16	1	26106-100302	BOLT, M10X 30 PLATED	1							
17	1	26106-100952	BOLT, M10X 95 PLATED	1							
18	1	129930-13201	GASKET, SILENCER	1							

Fig.7. CAMSHAFT & DRIVING GEAR



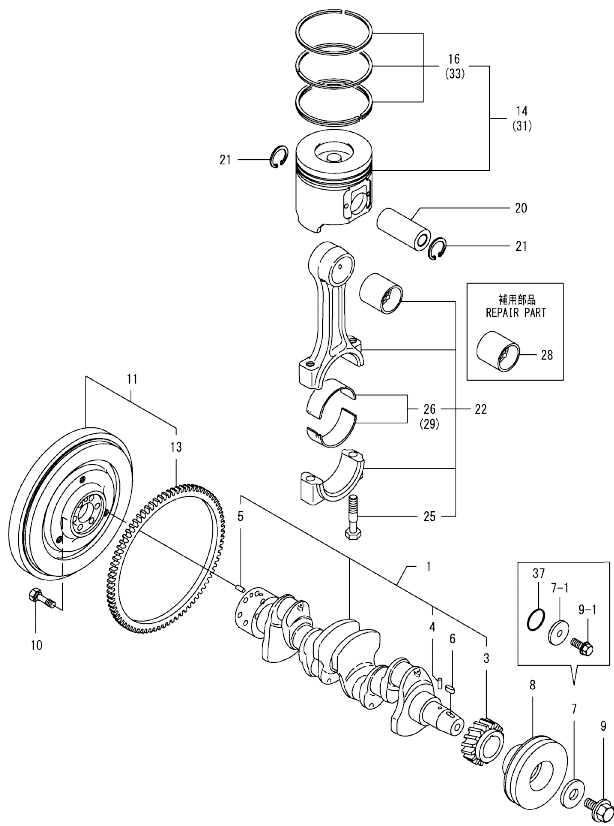
(A)=4TNV98-ZNFA  
(B)=  
(C)=

(D)=  
(E)=  
(F)=

No.	Lev.	Parts No.	Description	Q'ty						I	R
				(A)	(B)	(C)	(D)	(E)	(F)		
1	1	129150-14200	TAPPET	8							
2	1	129907-14400	PUSH-ROD	8							
3	1	129908-14590	CAMSHAFT ASSY	1							
4	2	129150-02450	BEARING, THRUST	1							
6	2	129900-14110	GEAR, CAMSHAFT	1							
7	2	22512-070140	KEY, 7X 14	1							
8	1	26106-080162	BOLT, M8X 16 PLATED	2							
9	1	123900-25060	SHAFT, IDLE GEAR	1							
10	1	129900-25110	GEAR ASSY, IDLE	1							
13	1	129150-25920	BUSH, IDLE GEAR	1							1
14	1	26106-080552	BOLT, M8X 55 PLATED	3							
15	1	129953-25300	BOLT	4							
16	1	129907-25900	GEAR, PUMP	1							
17	1	129900-26030	GEAR ASSY, PUMP	1							
19	1	158563-51150	FLANGE	1							
20	1	22217-180000	WASHER, SPRING 18	1							
21	1	26776-180002	NUT, LOCK M18	1							

Remarks  
(1) REPAIR PART.

Fig.8. CRANKSHAFT & PISTON



Remarks

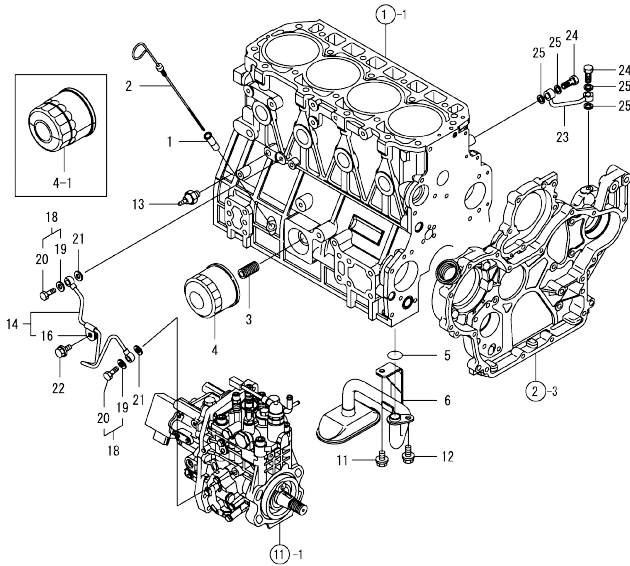
- (1) Spare parts.
- (2) Under-sized (U.S.=0.25) parts.
- (3) Over-sized (O.S.=0.25) parts.

(A)=4TNV98-ZNFA  
(B)=  
(C)=

(D)=  
(E)=  
(F)=

No.	Lev.	Parts No.	Description	Qty						I	R	
				(A)	(B)	(C)	(D)	(E)	(F)			
1	1	129902-21050	CRANKSHAFT ASSY	1								
3	2	129900-21220	GEAR, CRANKSHAFT	1								
4	2	121850-21290	PIN	1								
5	2	121850-21920	PIN, PARALLEL 10X22	1								
6	1	22512-070140	KEY, 7X 14	1								
7	1	129900-21640	WASHER	1								
7-1	1	129960-21940	WASHER, V-PULLEY	1							N	
		(A=E142384)										
8	1	129907-21660	V-PULLEY, CRANK 130	1								
9	1	121850-21680	BOLT	1								
9-1	1	129916-21610	BOLT, V-PULLEY	1							N	
		(A=E142384)										
10	1	121850-21130	BOLT, FLYWHEEL	6								
11	1	129953-21570	FLYWHEEL ASSY	1								
13	2	129900-21600	GEAR, RING	1								
14	1	129927-22080	PISTON ASSY	4								
14-1	1	129926-22080	PISTON ASSY	4							N	
		(A=E175629)										
16	2	129927-22050	RING SET, PISTON	4								
16-1	2	129E00-22050	RING SET, PISTON	4							N	
		(A=E175629)										
20	1	120130-22301	PIN, PISTON	4								
21	1	22252-000300	RING, 30	8								
22	1	129900-23001	ROD ASSY, CONNECTING	4								
25	2	129900-23200	BOLT, CONNECTING ROD	8								
26	2	129900-23601	BEARING, CRANK PIN	4								
28	1	129900-23911	BEARING, PISTON PIN	4								1
29	1	129900-23611	BEARING ASSY, 0.25US	4								2
31	1	729927-22900	PISTON ASSY, 0.25 OS	4								3
31-1	1	129E00-22900	PISTON ASSY, 0.25 OS	4								N 3
		(A=E175629)										
33	2	729927-22950	RING SET, 0.25 OS	4								3
33-1	2	129E00-22950	RING SET, PISTON 25	4								N 3
		(A=E175629)										
37	1	129960-21930	GASKET, WASHER	1								W
		(A=E142384)										

Fig.9. LUB.OIL SYSTEM



(A)=4TNV98-ZNFA  
(B)=  
(C)=

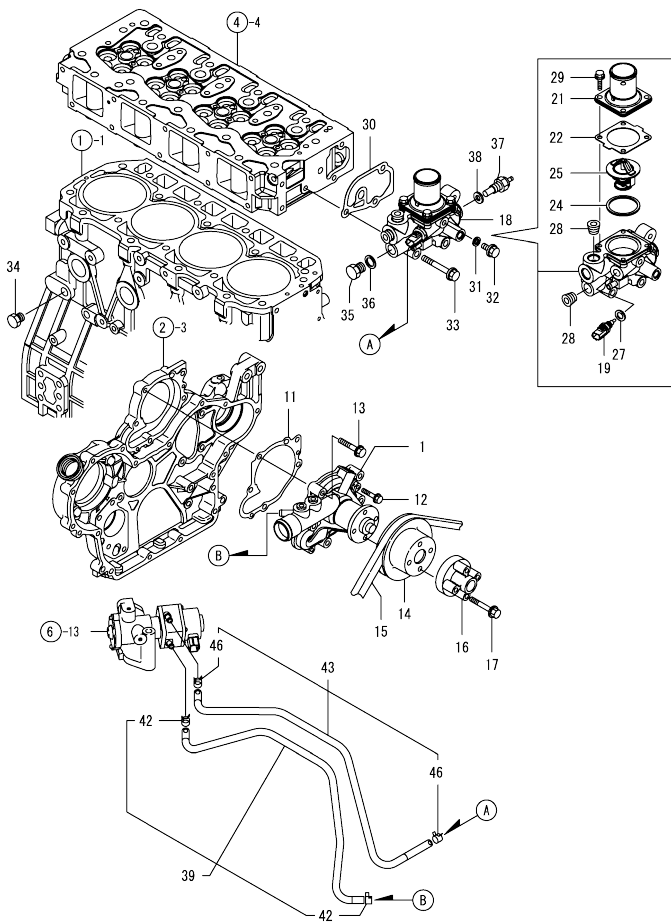
(D)=  
(E)=  
(F)=

No.	Lev.	Parts No.	Description	Q'ty						I	R
				(A)	(B)	(C)	(D)	(E)	(F)		
1	1	121520-34810	GUIDE, DIPSTICK	1							
2	1	129953-34830	DIPSTICK	1							
3	1	119000-35140	BOLT, STUD FILTER	1							
4	1	129150-35153	FILTER ASSY, D80X80L	1							1
4-1	1	119005-35151	FILTER, OIL D80X100	1							N 1
(A=E175629)											
5	1	129900-32030	O-RING, P20	1							
6	1	129953-35000	PIPE ASSY, OIL INLET	1							
11	1	26106-080122	BOLT, M8X 12 PLATED	1							
12	1	26106-080162	BOLT, M8X 16 PLATED	1							
13	1	114250-39450	SWITCH, HYDRAULIC	1							
14	1	129927-39060	PIPE ASSY, OIL	1							
16	2	123907-39500	RETAINER, PIPE	1							
18	1	129005-59830	BOLT ASSY, JOINT M8	2							
19	2	22190-080002	WASHER, SEAL 6	2							
20	2	23857-030000	BOLT, JOINT 3	2							
21	1	22190-080002	WASHER, SEAL 6	2							
22	1	26106-080122	BOLT, M8X 12 PLATED	1							
23	1	129930-39050	PIPE, OIL	1							
24	1	105010-39140	BOLT, PIPE JOINT	2							
25	1	22190-080002	WASHER, SEAL 6	4							

Remarks  
(1) REPAIR PART.

N:Old  $\frac{100}{100}$  New, Q:Old  $\frac{100}{100}$  New, R:Old  $\frac{100}{100}$  New, S:Old  $\frac{100}{100}$  New, W:Add, Z:Discontinued, F:Interchangeable by set, K:Q'ty Change  
Copyright (C) YANMAR GLOBAL CS CO., LTD. All Rights Reserved.

Fig.10. COOLING WATER SYSTEM



(A)=4TNV98-ZNFA  
(B)=  
(C)=

(D)=  
(E)=  
(F)=

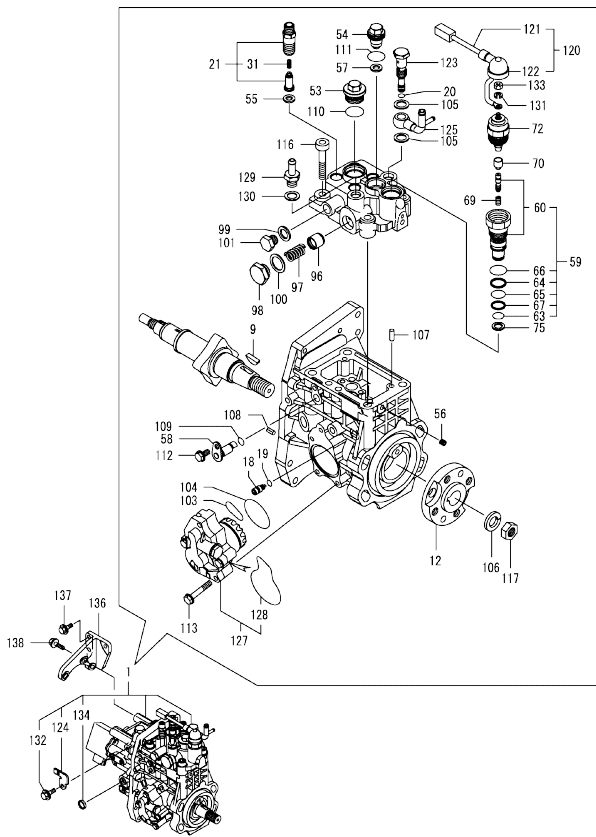
No.	Lev.	Parts No.	Description	Q'ty						I	R
				(A)	(B)	(C)	(D)	(E)	(F)		
1	1	129927-42000	PUMP ASSY, WATER	1							
11	1	129900-42020	GASKET, WATER PUMP	1							
12	1	26106-060302	BOLT, M6X 30 PLATED	2							
13	1	26106-080552	BOLT, M8X 55 PLATED	5							
14	1	129900-42450	V-PULLEY, C.W.PUMP	1							
15	1	25132-004150	V-BELT, A41.5	1							
16	1	119141-44760	SPACER, FAN	1							
17	1	26106-080552	BOLT, M8X 55 PLATED	4							
18	1	129927-49800	CASE ASSY,THERMOSTAT	1							
19	2	129927-44900	SENSOR, WATER TEMP.	1							
21	2	129916-49530	COVER, THERMOSTAT	1							
22	2	121850-49540	GASKET, THERMOSTAT	1							
24	2	121850-49550	GASKET, THERMOSTAT	1							
25	2	121850-49810	THERMOSTAT, 71C	1							
27	2	22190-120002	WASHER, SEAL 12	1							
28	2	23875-030000	PLUG, R03	2							
29	2	26106-060202	BOLT, M6X 20 PLATED	4							
30	1	129900-49870	GASKET, THERMOSTAT	1							
31	1	23414-080000	GASKET, 8X1.0	1							
32	1	26106-080122	BOLT, M8X 12 PLATED	1							
33	1	26106-080602	BOLT, M8X 60 PLATED	3							
34	1	171056-49120	PLUG, DRAIN R1/4	1							
35	1	121450-42450	PLUG, M16	1							
36	1	124465-44950	GASKET, 16	1							
37	1	124250-49351	SENSOR, WATER TEMP.	1							
38	1	129150-49360	GASKET	1							
39	1	129927-49610	HOSE ASSY, WATER	1							
42	2	23080-012000	CLAMP, 12	2							
43	1	129927-49620	HOSE ASSY, WATER	1							
46	2	23080-012000	CLAMP, 12	2							

N:Old  $\frac{100}{100}$  New, Q:Old  $\frac{100}{100}$  New, R:Old  $\frac{100}{100}$  New, S:Old  $\frac{100}{100}$  New, W:Add, Z:Discontinued, F:Interchangeable by set, K:Q'ty Change  
Copyright (C) YANMAR GLOBAL CS CO., LTD. All Rights Reserved.

Fig.11. FUEL INJECTION PUMP

(A)=4TNV98-ZNFA  
(B)=  
(C)=

(D)=  
(E)=  
(F)=



No.	Lev.	Parts No.	Description	Q'ty						I	R		
				(A)	(B)	(C)	(D)	(E)	(F)				
1	1	729921-51310	PUMP ASSY, INJECTION	1							1		
1-1	1	729921-51380 (A=EZZZZZ)	FIE ASSY	1							N	1	
1-2	1	729921-51410 (A=E175629)	FIE ASSY	1								N	1
9	2	144626-51090	FEATHER KEY, 5X19	1									
12	2	158563-51150	FLANGE	1									
18	2	158600-51270	STOPPER, TAPPET	1									
19	2	158563-51281	O-RING, 4D S6	1									
20	2	158563-51281	O-RING, 4D S6	1									
21	2	129927-51390	VALVE ASSY, DELIVERY	4									
31	3	158563-51330	SPRING, DELIVERY	4									
53	2	158601-51550	PLUG, M22	1									
54	2	129907-51560	PLUG, M16	1									
55	2	158552-51571	GASKET, PLUG	4									
56	2	158557-51570	PLUG, RACK	1									
57	2	129906-51580	GASKET, PLUG	1									
58	2	158552-51580	LIFTER, LINK	1									
59	2	129657-51590	TIMER ASSY	1									
60	3	129657-51600	TIMER ASSY	1									
63	3	158553-51670	O-RING	1									
64	3	119802-51680	RING, BACKUP	1									
65	3	119802-51690	O-RING	1									
66	3	24356-010200	O-RING, 4D1020	1									
66-1	3	24356-190200 (A=EZZZZZ)	O-RING, 4D19020	1									R
67	3	24372-000150	RING, BACK UP T2P15	1									
69	2	119852-51630	SPRING, TIMER	1									
70	2	119852-51640	CAP, TIMER	1									
72	2	119852-51650	VALVE ASSY, SOLENOID	1									
75	2	158553-51680	GASKET, TIMER	1									
96	2	158601-51770	PISTON, ACCUMULATOR	1									
97	2	158552-51781	SPRING, ACCUMULATOR	1									
98	2	158601-51790	PLUG	1									
99	2	22190-120002	WASHER, SEAL 12	1									
100	2	22190-180002	WASHER, SEAL 18	1									
101	2	23887-120002	PLUG, 12	1									
101-1	2	158553-51930 (A=EZZZZZ)	PLUG, M12	1									R
103	2	158552-52310	O-RING	1									
103-1	2	158552-52311 (A=EZZZZZ)	O-RING	1									N
104	2	158552-52400	O-RING, 4E S42	1									
105	2	22190-120002	WASHER, SEAL 12	2									
106	2	22217-180000	WASHER, SPRING 18	1									
107	2	22312-050140	PIN, PARALLEL M5X14	2									
108	2	22351-050010	PIN, SPRING 5.0X10	2									
109	2	24311-000070	O-RING, 1AP7.0	1									
110	2	24356-010200	O-RING, 4D1020	1									
110-1	2	24356-190200 (A=EZZZZZ)	O-RING, 4D19020	1									R

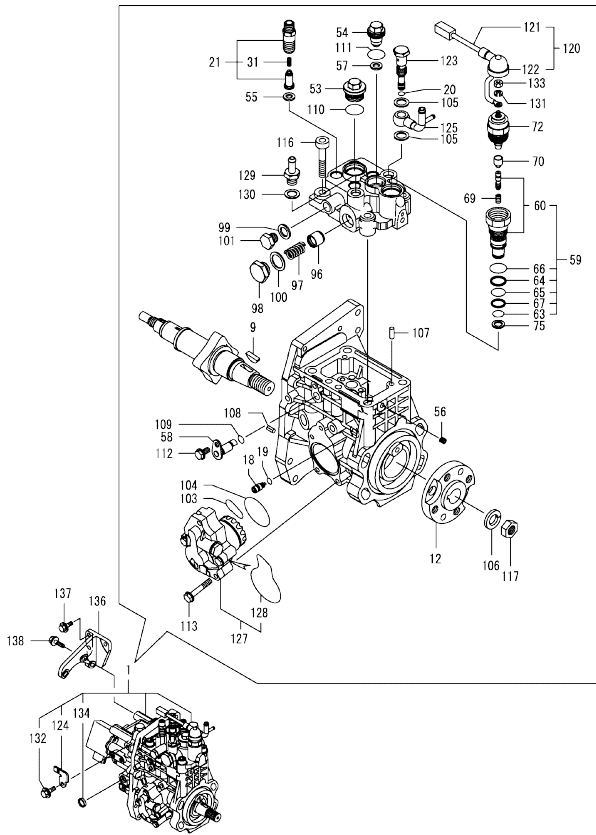
Remarks  
(1)Governor(Fig.12) is incorporated in this Fuel Injection Pump(No.1).  
(1)Eco pump  
Make sure to update the engines ECU information when replacing the Eco pump.  
Failing to do so will result in engine malfunction.



Fig.11. FUEL INJECTION PUMP

(A)=4TNV98-ZNFA  
(B)=  
(C)=

(D)=  
(E)=  
(F)=



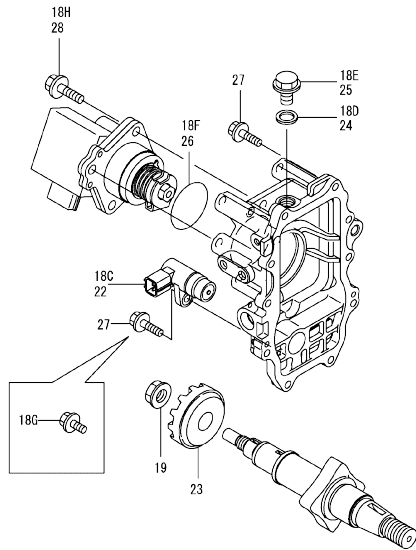
No.	Lev.	Parts No.	Description	Q'ty						I	R
				(A)	(B)	(C)	(D)	(E)	(F)		
111	2	24356-020210	O-RING, 4D2021	1							
111-1	2	24356-240210	O-RING, 4D24021	1							R
(A=EZZZZZ)											
112	2	26106-060102	BOLT, M6X 10 PLATED	1							
113	2	26106-060352	BOLT, M6X 35 PLATED	4							
116	2	26450-100452	BOLT, M10X 45	4							
117	2	26776-180002	NUT, LOCK M18	1							
120	2	129927-51650	HARNESS ASSY, WIRE	1							
121	3	129927-51660	HARNESS	1							
122	3	129263-77941	CAP, RUBBER	1							
123	2	158601-51650	JOINT, OVER FLOW	1							
124	2	129927-51670	BRACKET	1							
125	2	158552-51670	JOINT, OVER FLOW	1							
127	2	158552-52100	PUMP ASSY, FUEL FEED	1							
128	3	158552-52500	O-RING	1							
129	2	119934-59910	JOINT, PIPE	1							
130	2	22190-120002	WASHER, SEAL 12	1							
131	2	22217-050000	WASHER, SPRING 5	1							
132	2	26106-060122	BOLT, M6X 12 PLATED	1							
133	2	26716-050002	NUT, M5	1							
134	2	27241-160000	PLUG, 16	1							
136	1	129927-51250	RETAINER, PUMP	1							
137	1	26106-080202	BOLT, M8X 20 PLATED	3							
138	1	26106-080302	BOLT, M8X 30 PLATED	3							

Remarks

- (1)Governor(Fig.12) is incorporated in this Fuel Injection Pump(No.1).
  - (1)Eco pump
- Make sure to update the engines ECU information when replacing the Eco pump.  
Failing to do so will result in engine malfunction.

0CW10-M42200 4TNV98-ZNFA  
 Fig.12. GOVERNOR

0CW10-M42200 Fig.12



(A)=4TNV98-ZNFA  
 (B)=  
 (C)=

(D)=  
 (E)=  
 (F)=

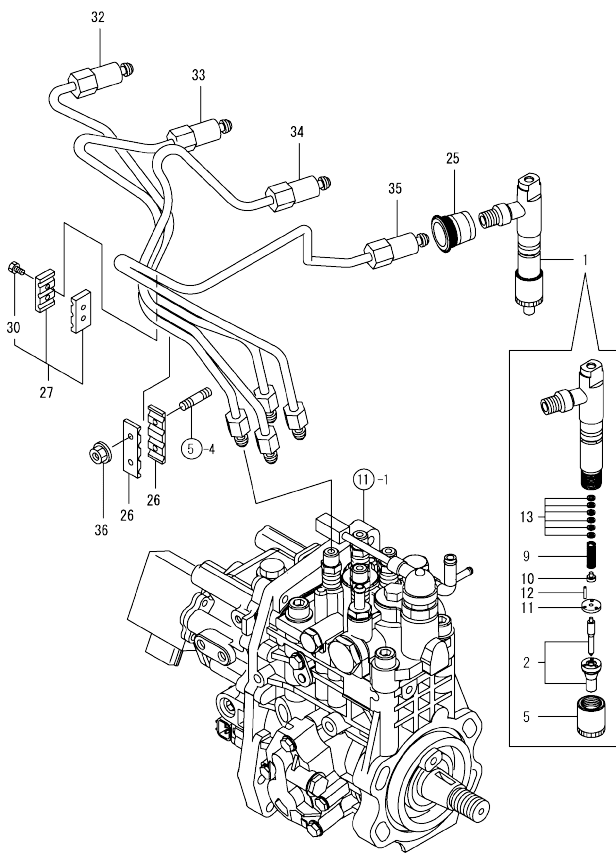
No.	Lev.	Parts No.	Description	Q'ty						I	R
				(A)	(B)	(C)	(D)	(E)	(F)		
18C	3	158557-61720	SENSOR	1							W
		(A=EZZZZZ)									
18D	3	23414-120000	GASKET, 12X1.0	1							W
		(A=EZZZZZ)									
18E	3	23887-120002	PLUG, 12	1							W
		(A=EZZZZZ)									
18E-1	3	158553-51930	PLUG, M12	1							N
		(A=EZZZZZ)									
18F	3	24341-000480	O-RING, 1AS48.0	1							W
		(A=EZZZZZ)									
18G	3	26106-060162	BOLT, M6X 16 PLATED	1							W
		(A=EZZZZZ)									
18H	3	26106-080252	BOLT, M8X 25 PLATED	3							W
		(A=EZZZZZ)									
19	2	129008-61301	NUT	1							
22	2	158557-61720	SENSOR	1							Z
		(A=EZZZZZ)									
23	2	158553-61780	GEAR, SENSOR	1							
24	2	23414-120000	GASKET, 12X1.0	1							Z
		(A=EZZZZZ)									
25	2	23887-120002	PLUG, 12	1							Z
		(A=EZZZZZ)									
26	2	24341-000480	O-RING, 1AS48.0	1							Z
		(A=EZZZZZ)									
27	2	26106-060252	BOLT, M6X 25 PLATED	10							
28	2	26106-080252	BOLT, M8X 25 PLATED	3							Z
		(A=EZZZZZ)									

Remarks

\* This figure(Governor) is incorporated in the Fuel Injection Pump(Fig.11).

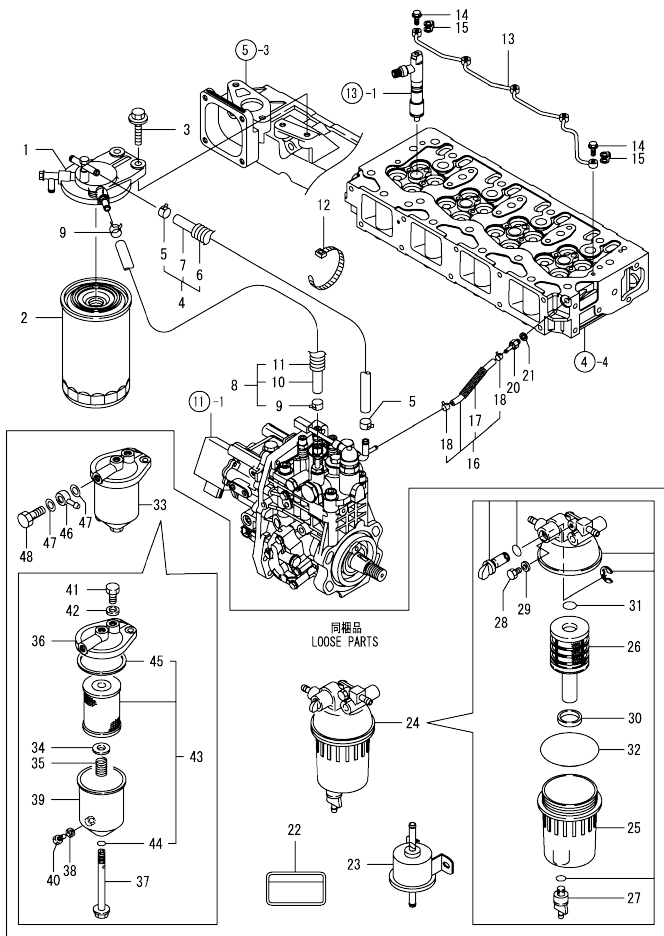
N:Old  $\frac{100}{100}$  New. Q:Old  $\frac{100}{100}$  New. R:Old  $\frac{100}{100}$  New. S:Old  $\frac{100}{100}$  New. W:Add. Z:Discontinued. F:Interchangeable by set. K:Q'ty Change  
 Copyright (C) YANMAR GLOBAL CS CO., LTD. All Rights Reserved.

Fig.13. FUEL INJECTION VALVE



No.	Lev.	Parts No.	Description	Q'ty						I	R
				(A)	(B)	(C)	(D)	(E)	(F)		
1	1	729927-53100	FUEL INJECTOR ASSY	4							
2	2	129927-53000	NOZZLE ASSY, F.I.	4							
5	2	114250-53080	NUT, NOZZLE	4							
9	2	114250-53120	SPRING, NOZZLE	4							
10	2	114250-53130	SEAT, SPRING	4							
11	2	114250-53140	SPACER	4							
12	2	114250-53210	PIN	8							
13	2	114250-53400	SHIM SET	4							
25	1	123907-11601	SEAL, PIPE	4							
26	1	123472-59120	RETAINER, PIPE	2							
27	1	129150-59120	RETAINER, PIPE	1							
30	2	129150-59131	BOLT, M4X14	2							
32	1	129927-59810	PIPE ASSY, INJECTION	1							
33	1	129927-59820	PIPE ASSY, INJECTION	1							
34	1	129927-59830	PIPE ASSY, INJECTION	1							
35	1	129927-59840	PIPE ASSY, INJECTION	1							
36	1	26366-060002	NUT, M6	2							

Fig.14. FUEL LINE



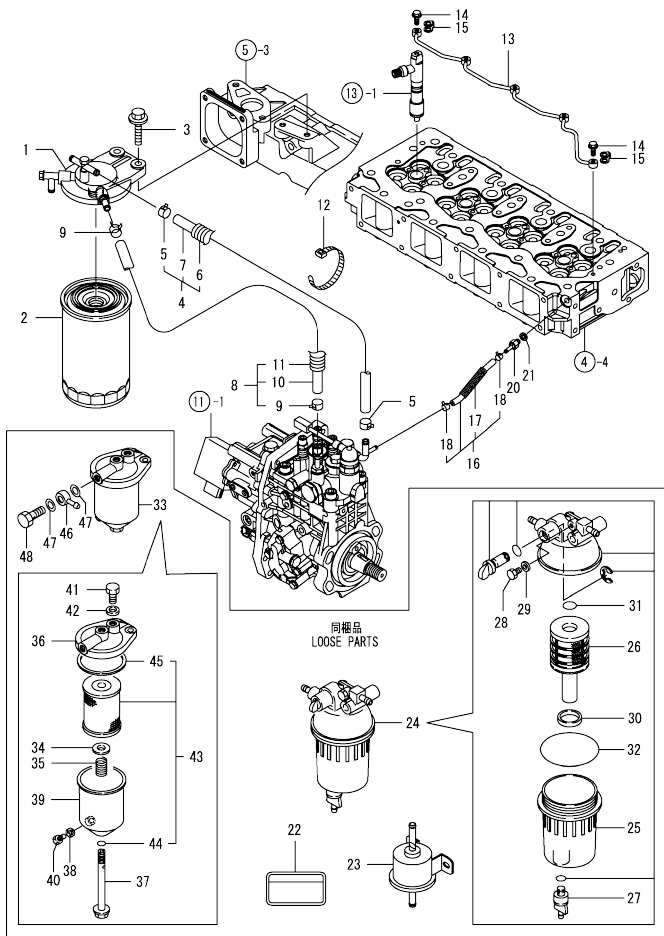
(A)=4TNV98-ZNFA  
(B)=  
(C)=

(D)=  
(E)=  
(F)=

No.	Lev.	Parts No.	Description	Q'ty						I	R
				(A)	(B)	(C)	(D)	(E)	(F)		
1	1	129004-55612	BRACKET, FILTER	1							
2	1	129907-55801	FILTER, FUEL	1							
3	1	26106-080302	BOLT, M8X 30 PLATED	2							
4	1	129457-59010	HOSE ASSY, FUEL	1							
5	2	124766-59050	CLAMP, HOSE 11.5	2							
6	2	129957-59120	TUBE, CORRUGATED 15	1							
7	2	105025-59750	HOSE, FUEL	1							
8	1	129961-59310	HOSE ASSY, FUEL	1							
9	2	124766-59050	CLAMP, HOSE 11.5	2							
10	2	129136-59110	HOSE, D13/7.5X270	1							
11	2	129961-59110	TUBE, CORRUGATED 15	1							
12	1	121750-59890	BAND, NYLON	1							
13	1	129907-59140	PIPE ASSY, RETURN	1							
14	1	123907-59540	BOLT, PIPE JOINT M6	5							
15	1	123907-59550	GASKET	5							
16	1	129927-59550	HOSE ASSY RETURN	1							
17	2	129263-49750	TUBE, CORRUGATED	1							
18	2	124722-59050	CLAMP, HOSE 9	2							
20	1	123907-59560	JOINT, HOSE	1							
21	1	22190-080002	WASHER, SEAL 6	1							
22	1	114110-07760	LABEL, FUEL CAUTION	1							
23	1	119225-52102	PUMP, FUEL FEED	1							
24	1	129242-55700	SEPARATOR ASSY,WATER	1							
24-1	1	129242-55701	SEPARATOR ASSY,WATER	1							N
(A=ED4063)											
25	2	129242-55720	CUP, SEPARATOR	1							
26	2	129242-55730	ELEMENT, FUEL	1							
27	2	129242-55740	PLUG, DRAIN	1							
28	2	129242-55750	VALVE, AIR VENT	1							
29	2	129242-55760	GASKET, PLUG	1							
30	2	129242-55770	FLOAT	1							
31	2	24311-000160	O-RING, 1AP16.0	1							
32	2	24321-000750	O-RING, 1AG75.0	1							
33	1	129065-55750	SEPARATOR ASSY,WATER	1							W
(A=E175629)											
34	2	123325-35160	SEAT, SPRING	1							W
(A=E175629)											
35	2	129065-55170	SPRING, FILTER	1							W
(A=E175629)											
36	2	129495-55610	BODY, STRAINER	1							W
(A=E175629)											
37	2	129495-55620	BOLT, CENTER	1							W
(A=E175629)											
38	2	123672-55760	GASKET	1							W
(A=E175629)											
39	2	129065-55760	CASE, SEPARATOR	1							W
(A=E175629)											
40	2	129065-55770	PLUG, DRAIN M8	1							W
(A=E175629)											
41	2	129065-55800	PLUG, M14	1							W
(A=E175629)											

N:Old  $\frac{New}{Old}$  New, Q:Old  $\frac{New}{Old}$  New, R:Old  $\frac{New}{Old}$  New, S:Old  $\frac{New}{Old}$  New, W:Add, Z:Discontinued, F:Interchangeable by set, K:Q'ty Change  
 ++ CONTINUE ++  
 Copyright (C) YANMAR GLOBAL CS CO., LTD. All Rights Reserved.

Fig.14. FUEL LINE



No.	Lev.	Parts No.	Description	Q'ty						I	R
				(A)	(B)	(C)	(D)	(E)	(F)		
42	2	123678-55890 (A=E175629)	GASKET, PLUG	1							W
43	2	41650-550800 (A=E175629)	ELEMENT, FUEL	1							W
44	3	24311-000120 (A=E175629)	O-RING, 1AP12.0	1							W
45	3	123325-35140 (A=E175629)	GASKET, COVER	1							W
46	1	121855-59880 (A=E175629)	JOINT, FUEL PIPE	2							W
47	1	22190-140002 (A=E175629)	WASHER, SEAL 14	4							W
48	1	23857-080000 (A=E175629)	BOLT, JOINT 8	2							W

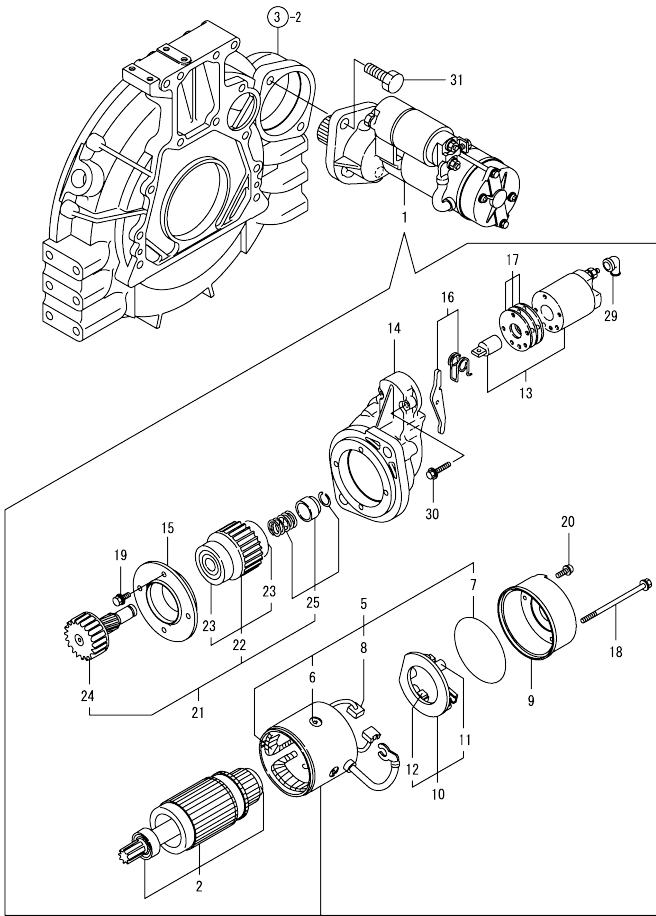
N:Old  $\frac{100}{100}$  New, Q:Old  $\frac{100}{100}$  New, R:Old  $\frac{100}{100}$  New, S:Old  $\frac{100}{100}$  New, W:Add, Z:Discontinued, F:Interchangeable by set, K:Q'ty Change  
Copyright (C) YANMAR GLOBAL CS CO., LTD. All Rights Reserved.

Fig.15. STARTING MOTOR

(A)=4TNV98-ZNFA  
(B)=  
(C)=

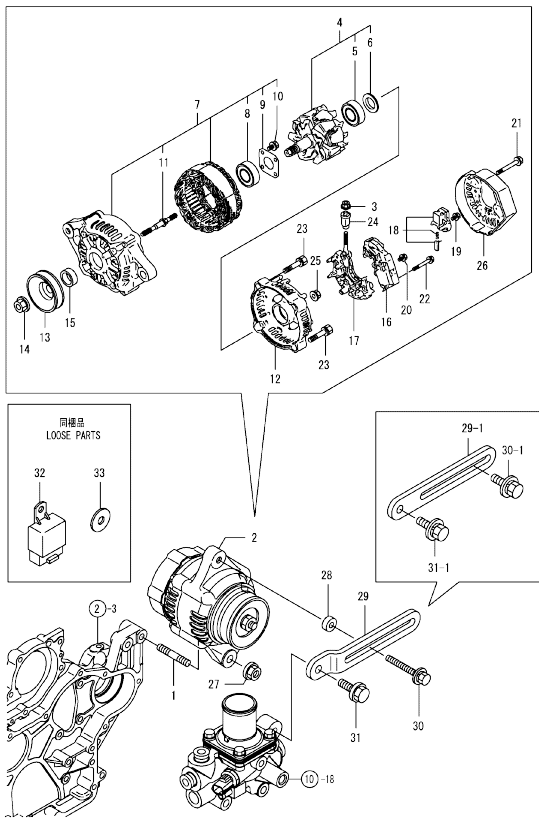
(D)=  
(E)=  
(F)=

No.	Lev.	Parts No.	Description	Q'ty						I	R
				(A)	(B)	(C)	(D)	(E)	(F)		
1	1	129940-77010	STARTER ASSY	1							
2	2	129940-77100	ARMATURE ASSY	1							
5	2	129940-77130	COIL ASSY, FIELD	1							
6	3	129940-77140	SCREW, CORE SET	4							
7	3	129940-77150	O-RING	1							
8	3	129940-77160	BRUSH	2							
9	2	129940-77170	COVER	1							
10	2	129940-77180	HOLDER ASSY, BRUSH	1							
11	3	129940-77190	SPRING, BRUSH	1							
12	3	129940-77200	BRUSH	2							
13	2	129940-77210	SWITCH ASSY, MAGNET	1							
14	2	129940-77220	CASE, GEAR	1							
15	2	129940-77230	RETAINER, BEARING	1							
16	2	129940-77240	LEVER SET	1							
17	2	129940-77250	COVER KIT, DUST	1							
18	2	129940-77260	BOLT, THROUGH	2							
19	2	129940-77270	BOLT	4							
20	2	129940-77280	SCREW	2							
21	2	123900-77510	PINION ASSY	1							
22	3	123900-77520	CLUTCH ASSY	1							
23	4	X2240610100	BEARING, BALL	2							
24	3	123900-77540	SHAFT, PINION	1							
25	3	119131-77550	STOPPER SET, PINION	1							
29	2	121254-77810	COVER, TERMINAL	1							
30	2	114371-79070	BOLT	2							
31	1	26116-120252	BOLT, M12X 25 PLATED	2							



(A)=4TNV98-ZNFA  
 (B)=  
 (C)=

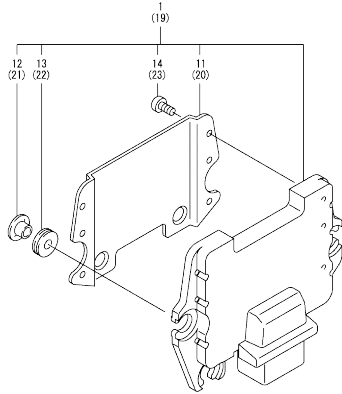
(D)=  
 (E)=  
 (F)=



No.	Lev.	Parts No.	Description	Q'ty						I	R
				(A)	(B)	(C)	(D)	(E)	(F)		
1	1	129795-01900	BOLT, STUD M10X33	1							
2	1	119626-77210	ALTERNATOR, 12V-55A	1							
3	2	X9490561001	NUT	1							
4	2	129052-77380	ROTOR ASSY	1							
5	3	123501-79240	BEARING, BALL	1							
6	3	119620-79250	COVER, BEARING	1							
7	2	129052-77422	FRAME ASSY	1							
8	3	119620-79200	BEARING, BALL	1							
9	3	119620-79210	RETAINER	1							
10	3	119620-79220	SCREW	4							
11	3	119620-79230	BOLT, STUD	2							
12	2	128401-77440	COVER	1							
13	2	119620-77461	PULLEY, GENERATOR	1							
14	2	119620-77471	NUT	1							
15	2	119620-77490	COLLAR	1							
16	2	119626-77710	REGULATOR ASSY	1							
17	2	129052-79260	HOLDER	1							
18	2	129052-79270	HOLDER, BRUSH	1							
19	2	119620-79290	SCREW	6							
20	2	119620-79300	SCREW	1							
21	2	119620-79310	BOLT	3							
22	2	119620-79320	SCREW	2							
23	2	119620-79330	BOLT	2							
24	2	119620-79340	BUSH, INSULATION	1							
25	2	119620-79350	NUT	2							
26	2	119626-77450	FRAME	1							
27	1	26306-100002	NUT, M10	1							
28	1	119940-77270	SPACER	1							Z
(A=EXXXXX)											
29	1	129972-77330	ADJUSTER, BELT	1							
29-1	1	129988-77330	ADJUSTER, BELT	1							S 1
(A=EXXXXX)											
30	1	129972-77341	BOLT, ADJUST L=50	1							
30-1	1	119810-77340	BOLT, ADJUST L=30	1							S 1
(A=EXXXXX)											
31	1	26106-080222	BOLT, M8X 22 PLATED	1							
31-1	1	26014-080252	BOLT, M8X 25	1							S 1
(A=EXXXXX)											
32	1	198461-52950	RELAY, CA TYPE C	3							
32-1	1	172B02-17150	RELAY, CA TYPE C	3							R
(A=EU9376)											
32-2	1	198461-52950	RELAY, CA TYPE C	3							Q
(A=E81764)											
33	1	129927-77690	WASHER, ECU	3							

Remarks  
 (1) Interchangeable by simultaneous replacement with Ref.29-1, 30-1 and 31-1.

Fig.17. ELECTRONIC CONTROL UNIT (ECU)



(A)=4TNV98-ZNFA  
(B)=  
(C)=

(D)=  
(E)=  
(F)=

No.	Lev.	Parts No.	Description	Q'ty						I	R
				(A)	(B)	(C)	(D)	(E)	(F)		
1	1	129921-75050	CONTROLLER ASSY, EUC	1							1
11	2	129927-77600	SHIELD, ECU	1							
12	2	129927-77680	COLLAR, CONTROL	3							
13	2	119578-91351	ABSORBER	3							
14	2	22877-500080	SCREW, 5X 8	6							
19	1	129927-75900	ECU ASSY, SERVICE	1							2
20	2	129927-77600	SHIELD, ECU	1							
21	2	129927-77680	COLLAR, CONTROL	3							
22	2	119578-91351	ABSORBER	3							
23	2	22877-500080	SCREW, 5X 8	6							

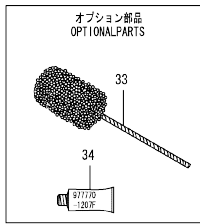
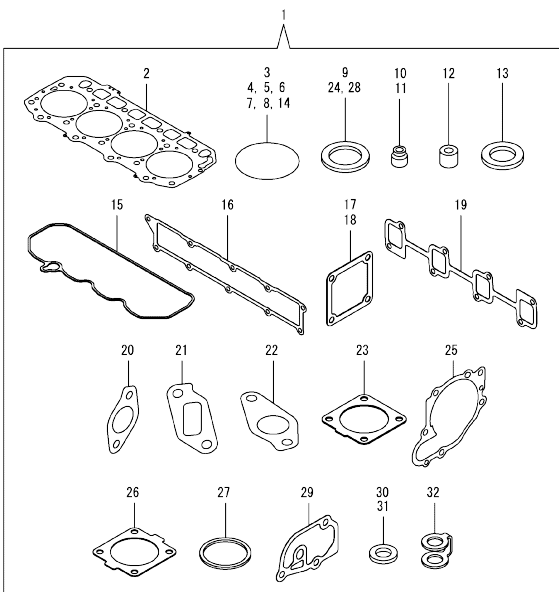
Remarks

(1)ECO ECU  
THIS PART CANNOT BE ORDERED.  
REPLACE THE PART USING A SERVICE  
ECU WITH THE PROPER ENGINE  
INFORMATION INSTALLED.  
(2)SERVICE ECU  
IF THE PROPER INFORMATION IS NOT  
INSTALLED, THE ENGINE WILL NOT  
OPERATE.  
TO INSTALL PROPER INFORMATION,  
GO TO AN AUTHORIZED DISTRIBUTOR.



OCW10-M42200 4TNV98-ZNFA  
 Fig.18. GASKET SET

OCW10-M42200 Fig.18



(A)=4TNV98-ZNFA  
 (B)=  
 (C)=

(D)=  
 (E)=  
 (F)=

No.	Lev.	Parts No.	Description	Qty						I	R	
				(A)	(B)	(C)	(D)	(E)	(F)			
1	1	729927-92760	GASKET SET	1							1	
2	2	129907-01331	GASKET, HEAD	1								
3	2	129900-32030	O-RING, P20	2								
4	2	129900-32040	O-RING, P14	1								
5	2	24311-000070	O-RING, 1AP7.0	1								
6	2	24351-030750	O-RING, 1A3075	1								
7	2	24311-000320	O-RING, 1AP32.0	2								
8	2	24321-000850	O-RING, 1AG85.0	1								
9	2	22190-220002	WASHER, SEAL 22	1								
10	2	119803-11340	SEAL, VALVE STEM	8								
11	2	124160-11340	SEAL, VALVE STEM	8								
12	2	119802-11870	PROTECTOR, NOZZLE	4								
13	2	119625-11880	SEAT, NOZZLE	4								
14	2	24311-000120	O-RING, 1AP12.0	8								
15	2	129933-11310	GASKET, BONNET	1								
16	2	129907-12110	GASKET, MANIFOLD	1								
17	2	119129-77020	GASKET	1								
18	2	121850-77021	GASKET, AIR HEATER	1								
19	2	129900-13251	GASKET, EXH.MANIFOLD	1								
20	2	129927-13810	GASKET	1								
21	2	129927-13910	GASKET, EGR	1								
22	2	129927-13920	GASKET, EGR	1								
23	2	129930-13201	GASKET, SILENCER	1								
24	2	22190-080002	WASHER, SEAL 6	9								
25	2	129900-42020	GASKET, WATER PUMP	1								
26	2	121850-49540	GASKET, THERMOSTAT	1								
27	2	121850-49550	GASKET, THERMOSTAT	1								
28	2	22190-120002	WASHER, SEAL 12	1								
29	2	129900-49870	GASKET, THERMOSTAT	1								
30	2	23414-080000	GASKET, 8X1.0	1								
31	2	124465-44950	GASKET, 16	2								
32	2	123907-59550	GASKET	5								
33	1	129400-92450	HONE, FLEX	1								1
34	1	977770-1207F	GASKET.LIQUID	1								1

Remarks  
 (1) OPTIONAL PART.

N:Old  $\frac{N00}{100}$  New, Q:Old  $\frac{Q00}{100}$  New, R:Old  $\frac{R00}{100}$  New, S:Old  $\frac{S00}{100}$  New, W:Add, Z:Discontinued, F:Interchangeable by set, K:Qty Change  
 Copyright (C) YANMAR GLOBAL CS CO., LTD. All Rights Reserved.

## Parts No. Index

Parts No.	Fig. No.	Ref. No.
105010-39140	9	24
105025-59750	14	7
114110-07760	14	22
114250-39450	9	13
114250-53080	13	5
114250-53120	13	9
114250-53130	13	10
114250-53140	13	11
114250-53210	13	12
114250-53400	13	13
114371-79070	15	30
119000-35140	9	3
119005-35151	9	4 -1
119005-77051	5	9
119129-77020	5	7
	18	17
119129-77520	5	10
119131-18320	6	3
119131-77550	15	25
119141-44760	10	16
119225-52102	14	23
119578-91351	17	13
	22	
119593-11301	4	30
119620-01750	3	4
119620-11180	4	14
119620-77461	16	13
119620-77471	16	14
119620-77490	16	15
119620-79200	16	8
119620-79210	16	9
119620-79220	16	10
119620-79230	16	11
119620-79250	16	6
119620-79290	16	19
119620-79300	16	20
119620-79310	16	21
119620-79320	16	22
119620-79330	16	23
119620-79340	16	24
119620-79350	16	25
119625-11880	4	26
	18	13
119626-77210	16	2
119626-77450	16	26
119626-77710	16	16
119640-01640	3	9
119640-61400	4	61
119802-11870	4	25
	18	12

Parts No.	Fig. No.	Ref. No.
119802-13680	6	7
119802-51680	11	64
119802-51690	11	65
119803-11340	4	15
	18	10
119810-77340	16	30 -1
119852-51630	11	69
119852-51640	11	70
119852-51650	11	72
119934-59910	11	129
119940-77270	16	28
120130-22301	8	20
121023-26070	2	30
121254-77810	15	29
121450-42450	10	35
121520-34810	9	1
121750-59890	14	12
121850-21130	8	10
121850-21290	8	4
121850-21680	8	9
121850-21920	8	5
121850-49540	10	22
	18	26
121850-49550	10	24
	18	27
121850-49810	10	25
121850-77021	5	8
	18	18
121855-59880	14	46
123325-35140	14	45
123325-35160	14	34
123472-59120	13	26
123501-79240	16	5
123672-55760	14	38
123678-55890	14	42
123900-25060	7	9
123900-77510	15	21
123900-77520	15	22
123900-77540	15	24
123907-03100	4	55
123907-03110	4	56
123907-03120	4	57
123907-03140	4	58
123907-11280	4	35
123907-11550	4	3
123907-11601	13	25
123907-11820	4	21
123907-11830	4	20
123907-39500	9	16
123907-59540	14	14

Parts No.	Fig. No.	Ref. No.
123907-59550	14	15
	18	32
123907-59560	14	20
124160-01751	2	24
	4	50
124160-11340	4	16
	18	11
124160-11360	4	66
124250-49351	10	37
124465-44950	10	36
	18	31
124722-59050	14	18
124766-59050	14	5
	9	
128401-77440	16	12
129001-91810	2	27
	38	
129004-55612	14	1
129005-59830	9	18
129008-61301	12	19
129052-77380	16	4
129052-77422	16	7
129052-79260	16	17
129052-79270	16	18
129065-55170	14	35
129065-55750	14	33
129065-55760	14	39
129065-55770	14	40
129065-55800	14	41
129100-01580	2	1
	3	1
129136-59110	14	10
129150-02450	7	4
129150-11230	4	38
	42	
129150-11750	4	19
	39	
	43	
129150-14200	7	1
129150-25920	7	13
129150-35153	9	4
129150-49360	10	38
129150-59120	13	27
129150-59131	13	30
129242-55700	14	24
129242-55701	14	24 -1
129242-55720	14	25
129242-55730	14	26
129242-55740	14	27
129242-55750	14	28

Parts No.	Fig. No.	Ref. No.
129242-55760	14	29
129242-55770	14	30
129263-13210	6	5
129263-49750	14	17
129263-77941	11	122
129400-92450	18	33
129418-18320	6	4
129457-59010	14	4
129495-55610	14	36
129495-55620	14	37
129657-51590	11	59
129657-51600	11	60
129795-01900	16	1
129900-01200	1	27
129900-01250	1	4
129900-01620	3	2
129900-01740	2	26
129900-01850	2	36
129900-01870	2	37
129900-02020	1	6
129900-02341	1	32
129900-02410	1	9
129900-02931	1	24
129900-02941	1	35
129900-13251	6	6
	18	19
129900-14110	7	6
129900-14140	2	41
129900-21220	8	3
129900-21600	8	13
129900-21640	8	7
129900-23001	8	22
129900-23200	8	25
129900-23601	8	26
129900-23611	8	29
129900-23911	8	28
129900-25110	7	10
129900-26030	7	17
129900-26250	2	42
129900-32001	2	4
129900-32030	2	16
	9	5
	18	3
129900-32040	2	17
	18	4
129900-42020	10	11
	18	25
129900-42450	10	14
129900-49870	10	30
	18	29

## Parts No. Index

Parts No.	Fig. No.	Ref. No.
129902-21050	8	1
129906-51580	11	57
129907-01331	1	28
	18	2
129907-03011	4	52
129907-03061	4	53
129907-03070	4	54
129907-07900	4	1
129907-11100	4	11
129907-11110	4	12
129907-11120	4	13
129907-11250	4	32
129907-11260	4	33
129907-11270	4	34
129907-11341	4	31
129907-11510	4	17
129907-11650	4	36
129907-11660	4	40
129907-11800	4	24
129907-11910	4	27
129907-11920	4	44
129907-11950	4	28
129907-12110	5	1
	18	16
129907-14400	7	2
129907-21660	8	8
129907-25900	7	16
129907-51560	11	54
129907-55801	14	2
129907-59140	14	13
129908-14590	7	3
129916-01710	3	8
129916-01790	3	7
129916-01800	2	35
129916-21610	8	9 -1
129916-49530	10	21
129921-75050	17	1
129926-22080	8	14 -1
129927-11320	4	51
129927-11700	4	4
129927-12100	5	3
129927-12150	5	2
129927-13100	6	2
129927-13150	6	1
129927-13800	6	9
129927-13810	6	10
	18	20
129927-13900	6	13
129927-13910	6	14
	18	21

Parts No.	Fig. No.	Ref. No.
129927-13920	6	15
	18	22
129927-22050	8	16
129927-22080	8	14
129927-39060	9	14
129927-42000	10	1
129927-42140	2	17 A
129927-44900	10	19
129927-49610	10	39
129927-49620	10	43
129927-49800	10	18
129927-51250	11	136
129927-51390	11	21
129927-51650	11	120
129927-51660	11	121
129927-51670	11	124
129927-53000	13	2
129927-59550	14	16
129927-59810	13	32
129927-59820	13	33
129927-59830	13	34
129927-59840	13	35
129927-75900	17	19
129927-77600	17	11
	20	12
129927-77680	17	12
	21	21
129927-77690	16	33
129930-13201	6	18
	18	23
129930-39050	9	23
129933-11310	4	60
	18	15
129940-77010	15	1
129940-77100	15	2
129940-77130	15	5
129940-77140	15	6
129940-77150	15	7
129940-77160	15	8
129940-77170	15	9
129940-77180	15	10
129940-77190	15	11
129940-77200	15	12
129940-77210	15	13
129940-77220	15	14
129940-77230	15	15
129940-77240	15	16
129940-77250	15	17
129940-77260	15	18
129940-77270	15	19

Parts No.	Fig. No.	Ref. No.
129940-77280	15	20
129953-21570	8	11
129953-25300	7	15
129953-34830	9	2
129953-35000	9	6
129957-59120	14	6
129960-21930	8	37
129960-21940	8	7 -1
129961-59110	14	11
129961-59310	14	8
129962-01500	2	3
129972-77330	16	29
129972-77341	16	30
129988-77330	16	29 -1
129E00-22050	8	16 -1
129E00-22900	8	31 -1
129E00-22950	8	33 -1
144626-51090	11	9
158552-51571	11	55
158552-51580	11	58
158552-51670	11	125
158552-51781	11	97
158552-52100	11	127
158552-52310	11	103
158552-52311	11	103 -1
158552-52400	11	104
158552-52500	11	128
158553-51670	11	63
158553-51680	11	75
158553-51930	11	101 -1
	12	18 E-1
158553-61780	12	23
158557-51570	11	56
158557-61720	12	18 C
	22	22
158563-51150	7	19
	11	12
158563-51281	11	19
	20	20
158563-51330	11	31
158600-51270	11	18
158601-51550	11	53
158601-51650	11	123
158601-51770	11	96
158601-51790	11	98
171051-01921	1	5
171056-49120	10	34
172B02-17150	16	32 -1
175339-79700	4	62
198461-52950	16	32

Parts No.	Fig. No.	Ref. No.
198461-52950	16	32 -2
22190-080002	9	19
		21
		25
	14	21
	18	24
22190-120002	10	27
	11	99
		105
		130
	18	28
22190-140002	14	47
22190-180002	11	100
22190-220002	3	11
	18	9
22217-050000	11	131
22217-180000	7	20
	11	106
22252-000300	8	21
22312-050140	11	107
22351-050010	11	108
22351-060012	1	11
22512-070140	7	7
	8	6
22857-500100	4	63
		64
22877-500080	17	14
		23
23080-012000	10	42
		46
23414-080000	10	31
	18	30
23414-120000	12	18 D
		24
23857-030000	9	20
23857-080000	14	48
23875-030000	10	28
23876-020000	4	8
23876-030000	1	12
		13
		14
	4	9
23887-120002	11	101
	12	18 E
		25
24311-000070	2	18
	11	109
	18	5
24311-000120	4	29
		67

## Parts No. Index

Parts No.	Fig. No.	Ref. No.
24311-000120	14	44
	18	14
24311-000160	14	31
24311-000320	2	25
	4	68
	18	7
24321-000750	14	32
24321-000850	2	31
	18	8
24341-000480	12	18 F
		26
24351-030750	2	19
	18	6
24356-010200	11	66
		110
24356-020210	11	111
24356-190200	11	66 -1
		110 -1
24356-240210	11	111 -1
24372-000150	11	67
25132-004150	10	15
26014-080252	16	31 -1
26106-060102	11	112
26106-060122	4	65
	11	132
26106-060162	12	18 G
26106-060202	10	29
26106-060252	12	27
26106-060302	10	12
26106-060352	11	113
26106-080122	3	12
	9	11
		22
	10	32
26106-080162	2	20
		28
		39
	4	2
	7	8
	9	12
26106-080202	2	21
	11	137
26106-080222	16	31
26106-080252	12	18 H
		28
26106-080302	11	138
	14	3
26106-080402	2	29
		40
	4	46

Parts No.	Fig. No.	Ref. No.
26106-080402	5	11
26106-080452	2	22
	5	5
26106-080552	7	14
	10	13
		17
26106-080602	4	47
		48
	10	33
26106-080802	5	6
26106-080902	5	12
26106-100202	2	32
26106-100302	6	11
		16
26106-100952	6	17
26116-120252	15	31
26206-100352	3	5
26206-100702	3	6
26216-060202	5	4
26216-100302	2	15
26226-080222	4	45
26306-080002	4	49
	6	8
		12
26306-100002	2	23
	16	27
26366-060002	13	36
26450-100452	11	116
26716-050002	11	133
26776-180002	7	21
	11	117
27241-160000	11	134
27241-300000	1	10
27241-400000	4	10
27310-070001	4	22
41650-550800	14	43
729900-02801	1	29
729907-01559	2	33
729921-51310	11	1
729921-51380	11	1 -1
729921-51410	11	1 -2
729927-01560	1	1
729927-22900	8	31
729927-22950	8	33
729927-53100	13	1
729927-92760	18	1
977770-1207F	18	34
X2240610100	15	23
X9490561001	16	3

Parts No.	Fig. No.	Ref. No.
-----------	----------	----------

Parts No.	Fig. No.	Ref. No.
-----------	----------	----------