

0CW10-M67500EN

P R E F A C E

1. This parts catalog is the 1st edition of 4TNV98-ZNCR2L for CARRARO.

Pub.No. : 0CW10-G67500

Published : August, 2010

2. Model name

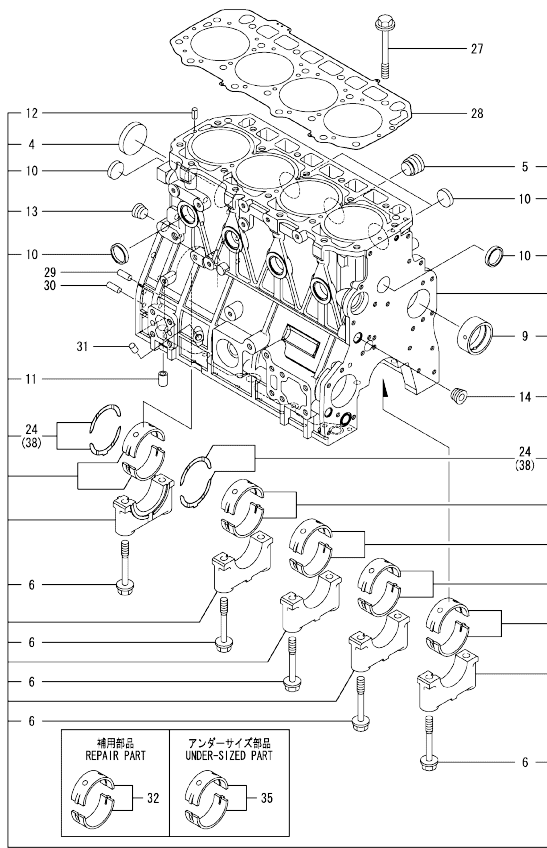
Engine model	Vehicle	Vehicle made by
4TNV98-ZNCR2L	TRACTOR	CARRARO

Contents

0CW10-M67500

Fig. No.	Fig. Name	Fig. No.	Fig. Name
4TNV98-ZNCR2L			
1.	CYLINDER BLOCK		
2.	GEAR HOUSING		
3.	FLYWHEEL HOUSING & OIL SUMP		
4.	CYLINDER HEAD & BONNET		
5.	SUCTION MANIFOLD		
6.	EXHAUST MANIFOLD		
7.	CAMSHAFT & DRIVING GEAR		
8.	CRANKSHAFT & PISTON		
9.	BALANCER		
10.	LUB. OIL SYSTEM		
11.	COOLING WATER SYSTEM		
12.	FUEL INJECTION PUMP		
13.	GOVERNOR		
14.	FUEL INJECTION VALVE		
15.	FUEL LINE		
16.	STARTER MOTOR(TO EG0167)		
17.	GENERATOR		
18.	ELECTRONIC CONTROL UNIT (ECU)		
19.	GASKET SET		

Fig.1. CYLINDER BLOCK



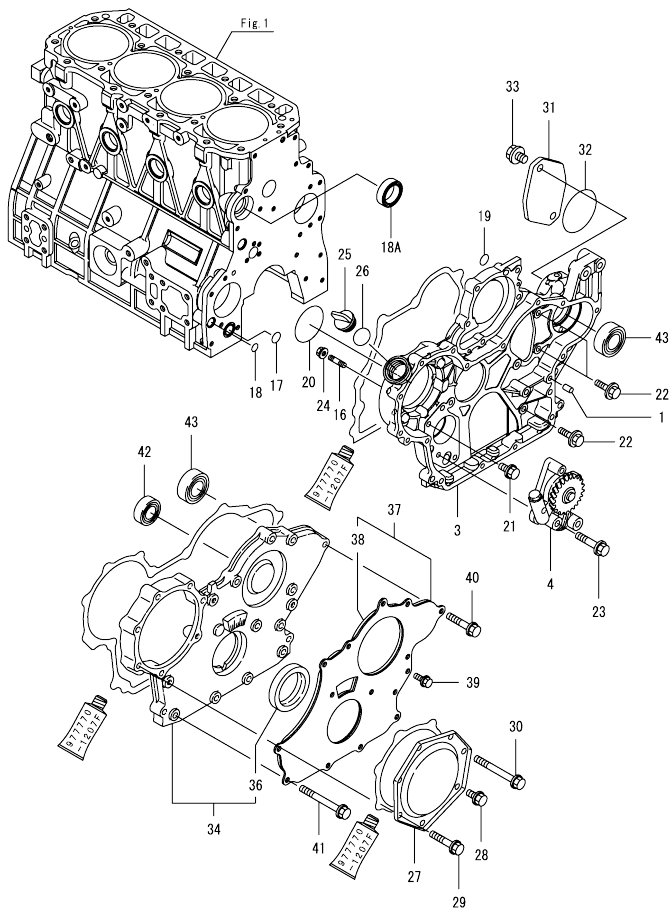
(A)=4TNV98-ZNCR2L
(B)=
(C)=

(D)=
(E)=
(F)=

No.	Lev.	Parts No.	Description	Q'ty						I	R
				(A)	(B)	(C)	(D)	(E)	(F)		
1	1	729968-01560	BLOCK ASSY, CYLINDER	1							
4	2	129900-01250	PLUG, DISH TYPE 55	1							
5	2	171051-01921	PLUG, NPTF1	1							
6	2	129900-02020	BOLT, METAL CAP	10							
9	2	129900-02410	BUSH, CAMSHAFT	1							
10	2	27241-300000	PLUG 30	8							
11	2	129956-01710	PIPE, DOWEL L=25	1							
12	2	22351-060012	PIN, SPRING 6.0X12	2							
13	2	23876-030000	PLUG, R03	1							
14	2	23876-030000	PLUG, R03	1							
24	2	129900-02931	BEARING ASSY, THRUST	2							
27	1	129900-01200	BOLT, CYLINDER HEAD	18							
28	1	129907-01331	GASKET, HEAD	1							
29	1	129100-01580	PIN, PARALLEL 8X16	2							
30	1	129100-01580	PIN, PARALLEL 8X16	2							
31	1	119309-01810	PLUG	1							
32	1	729900-02801	BEARING, MAIN	5							1
35	1	129900-02341	BEARING ASSY, MAIN	5							2
38	1	129900-02941	BEARING, THRUST 0.25	2							3

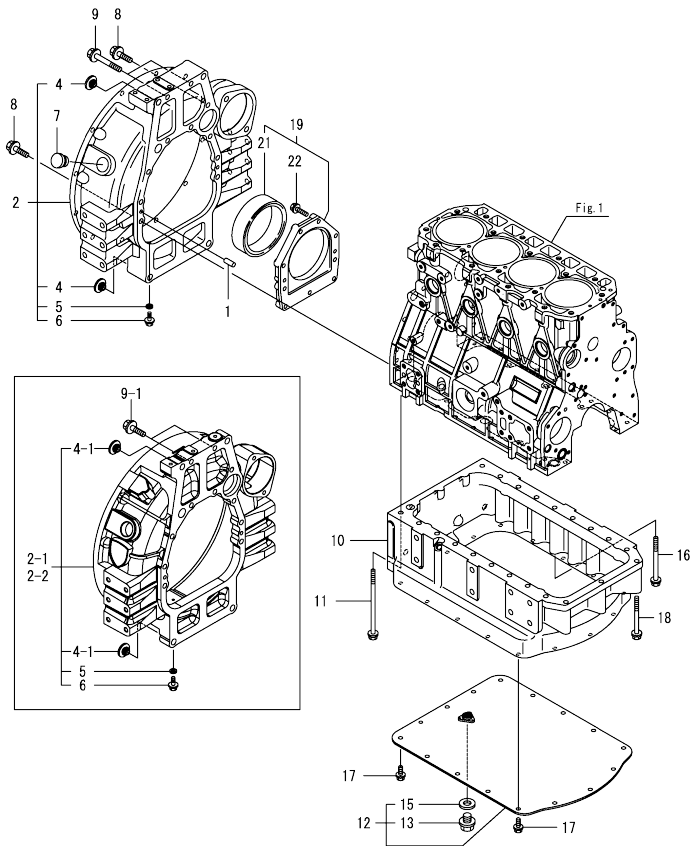
Remarks

- (1)Repair part.
- (2)Under-sized(U.S.=0.25)part.
- (3)Over-sized(O.S.=0.25)part.



No.	Lev.	Parts No.	Description	Qty						I	R
				(A)	(B)	(C)	(D)	(E)	(F)		
1	1	129100-01580	PIN, PARALLEL 8X16	4							
3	1	129962-01500	CASE, GEAR	1							
4	1	129956-32001	PUMP ASSY, OIL	1							
16	1	26216-100302	STUD, M10X 30	4							
17	1	129900-32030	O-RING, P20	1							
18	1	129900-32040	O-RING, P14	1							
18A	1	129927-42140	GASKET, PUMP OUTLET	1							W
(A)=ET5549)											
19	1	24311-000070	O-RING, 1AP7.0	1							
20	1	24351-030750	O-RING, 1A3075	1							
21	1	26106-080162	BOLT, M8X 16 PLATED	1							
22	1	26106-080202	BOLT, M8X 20 PLATED	3							
23	1	26106-080452	BOLT, M8X 45 PLATED	3							
24	1	26306-100002	NUT, M10	4							
25	1	124160-01751	CAP, FILLER	1							
26	1	24311-000320	O-RING, 1AP32.0	1							
27	1	129951-01740	COVER	1							
28	1	26106-080202	BOLT, M8X 20 PLATED	1							
29	1	26106-080452	BOLT, M8X 45 PLATED	5							
30	1	26106-080752	BOLT, M8X 75 PLATED	1							
31	1	121023-26071	COVER, PUMP	1							
32	1	24321-000850	O-RING, 1AG85.0	1							
33	1	26106-100202	BOLT, M10X 20 PLATED	2							
34	1	729907-01559	COVER ASSY, GEAR CASE	1							
36	2	129916-01800	SEAL, OIL	1							
37	1	129900-01850	COVER ASSY, GEAR CASE	1							
38	2	129900-01870	SPONGE, GEAR CASE	1							
39	1	26106-080162	BOLT, M8X 16 PLATED	3							
40	1	26106-080402	BOLT, M8X 40 PLATED	5							
41	1	26106-080702	BOLT, M8X 70 PLATED	6							
42	1	129900-14140	BEARING, BALL 6205	1							
43	1	129900-26250	BEARING, BALL 6206C3	2							

Fig.3. FLYWHEEL HOUSING & OIL SUMP

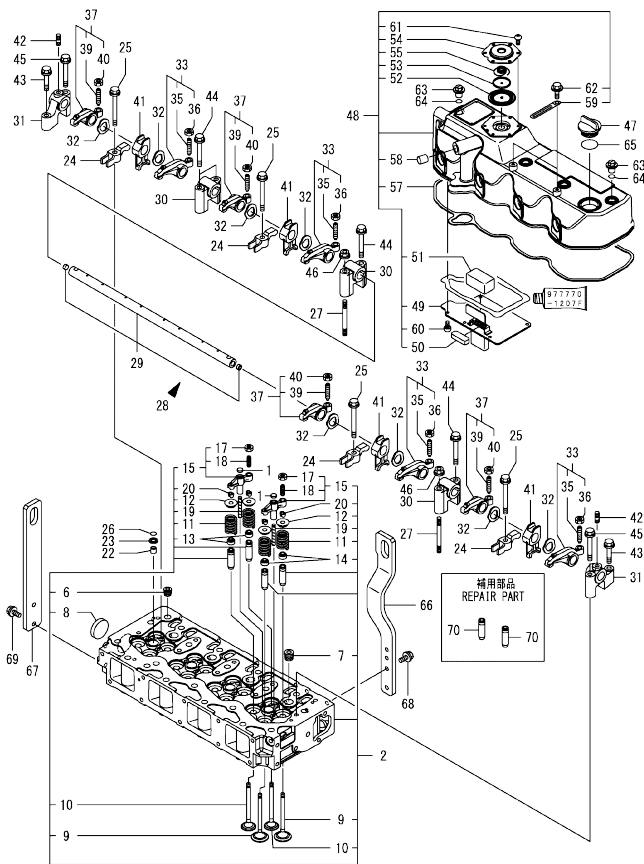


(A)=4TNV98-ZNCR2L
(B)=
(C)=

(D)=
(E)=
(F)=

No.	Lev.	Parts No.	Description	Qty						I	R
				(A)	(B)	(C)	(D)	(E)	(F)		
1	1	129100-01580	PIN, PARALLEL 8X16	2							
2	1	129968-01650	HOUSING, FLYWHEEL	1							
2-1	1	129973-01650	HOUSING ASSY, FLYWHEEL	1							S
(A=EG4172)											
2-2	1	129973-01652	HOUSING ASSY, FW	1							S
(A=E165267)											
4	2	129968-01670	PLUG, 12.5/23	4							
4-1	2	129968-01680	PLUG, RUBBER	4							S
(A=EG4172)											
5	2	22190-060003	SEAL WASER 6	1							
6	2	26106-060122	BOLT, M6X 12 PLATED	1							
7	1	119620-01750	CAP, WHEEL COVER	1							
8	1	26206-100352	BOLT, M10X 35 PLATED	9							
9	1	26206-100702	BOLT, M10X 70 PLATED	2							
9-1	1	26206-100452	BOLT, M10X 45 PLATED	2							S
(A=EG4172)											
10	1	129956-01700	OIL PAN	1							
11	1	129972-01731	BOLT, M8X150	2							
12	1	129968-01760	COVER ASSY, OIL SUMP	1							
13	2	105425-01690	PLUG, DRAIN M16	1							
15	2	22190-160002	WASHER, SEAL 16	1							
16	1	129693-44310	BOLT, COOLER	16							
17	1	26106-080122	BOLT, M8X 12 PLATED	16							
18	1	26106-080852	BOLT, M8X 85 PLATED	3							
19	1	129956-01640	CASE ASSY, OIL SEAL	1							
21	2	124411-01780	SEAL, HTC95X115X12	1							
22	1	26106-080302	BOLT, M8X 30 PLATED	9							

Fig.4. CYLINDER HEAD & BONNET



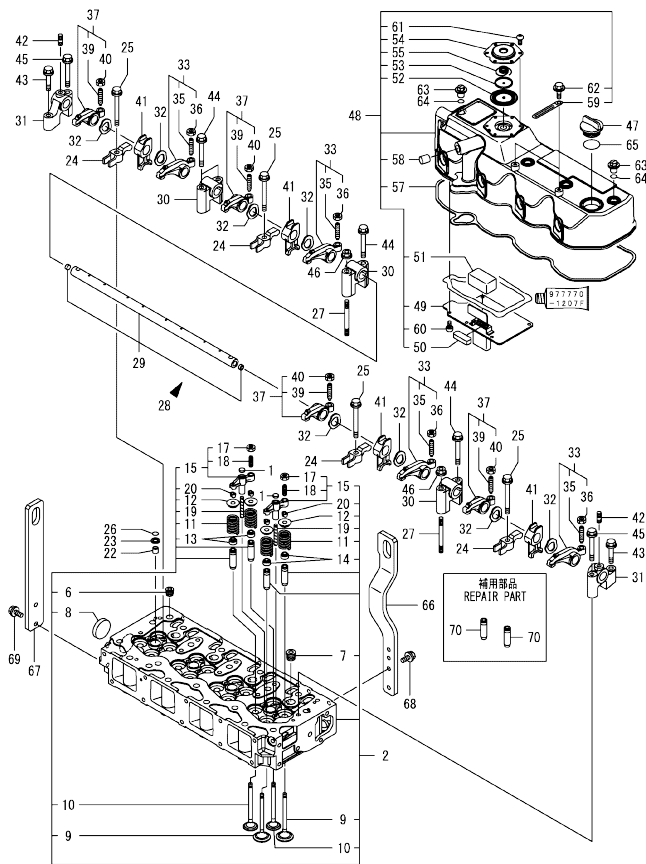
(A)=4TNV98-ZNCR2L
(B)=
(C)=

(D)=
(E)=
(F)=

No.	Lev.	Parts No.	Description	Q'ty						I	R
				(A)	(B)	(C)	(D)	(E)	(F)		
1	1	123907-11550	SEAT, VALVE BRIDGE	8							
2	1	129927-11700	HEAD ASSY, CYLINDER	1							
6	2	23876-020000	PLUG, R02	1							
7	2	23876-030000	PLUG, R03	4							
8	2	27241-400000	PLUG, 40	1							
9	2	129907-11100	VALVE, INTAKE	8							
10	2	129907-11110	VALVE, EXHAUST	8							
11	2	129907-11120	SPRING, VALVE	16							
12	2	119620-11180	RETAINER, SPRING	16							
13	2	119803-11340	SEAL, VALVE STEM	8							
14	2	124160-11340	SEAL, VALVE STEM	8							
15	2	129907-11510	BRIDGE ASSY, VALVE	8							
17	3	129150-11750	NUT, M8XP1.0	8							
18	3	123907-11830	ADJUSTER, BRIDGE	8							
19	2	123907-11820	GUIDE, BRIDGE	8							
20	2	27310-070001	COTTER, 7	16							
22	1	119802-11870	PROTECTOR, NOZZLE	4							
23	1	119625-11880	SEAT, NOZZLE	4							
24	1	129907-11910	RETAINER, NOZZLE	4							
25	1	129907-11950	BOLT, VALVE HOLDER	4							
26	1	24311-000120	O-RING, 1AP12.0	4							
27	1	119593-11301	STUD, M8X80	2							
28	1	129907-11341	SUPPORT ASSY, ROCKER	1							
29	2	129907-11250	SHAFT, ROCKER ARM	1							
30	2	129907-11260	SUPPORT, ROCKER A	3							
31	2	129907-11270	SUPPORT, ROCKER B	2							
32	2	123907-11280	WASHER, WAVE	8							
33	2	129907-11650	ARM ASSY, ROCKER INT	4							
35	3	129150-11230	SCREW, VALVE ADJUST	4							
36	3	129150-11750	NUT, M8XP1.0	4							
37	2	129907-11660	ARM ASSY, ROCKER EXH	4							
39	3	129150-11230	SCREW, VALVE ADJUST	4							
40	3	129150-11750	NUT, M8XP1.0	4							
41	2	129907-11920	RETAINER, NOZZLE	4							
42	2	26226-080222	STUD, M8X 22	2							
43	1	26106-080402	BOLT, M8X 40 PLATED	2							
44	1	26106-080602	BOLT, M8X 60 PLATED	4							
45	1	26106-080602	BOLT, M8X 60 PLATED	2							
46	1	26306-080002	NUT, M8	2							
47	1	124160-01751	CAP, FILLER	1							
48	1	129927-11320	BONNET ASSY, HEAD	1							
48-1	1	129922-11320	BONNET ASSY	1							N
(A)=E153312)											
49	2	129907-03011	PLATE, BAFFLE	1							
50	2	129907-03061	BAFFLE, BREATHER	1							
51	2	129907-03070	BAFFLE, BREATHER	1							
52	2	123907-03100	DIAPHRAGM, BREATHER	1							
53	2	123907-03110	PLATE, CENTER	1							
54	2	123907-03120	PLATE, BREATHER	1							
54-1	2	129922-03120	PLATE, BREATHER	1							N
(A)=E153312)											

Remarks
(1) Spare parts.

Fig.4. CYLINDER HEAD & BONNET



(A)=4TNV98-ZNCR2L
(B)=
(C)=

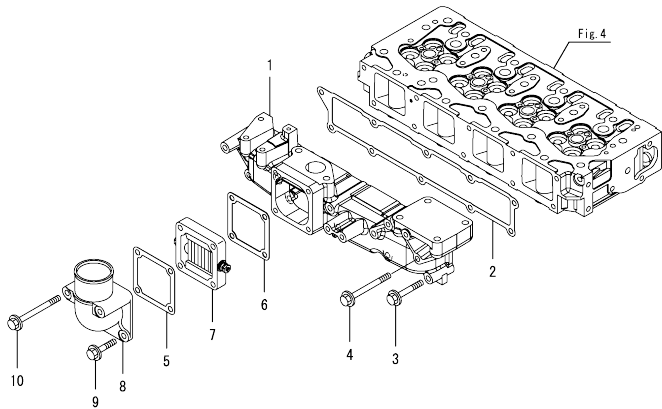
(D)=
(E)=
(F)=

No.	Lev.	Parts No.	Description	Qty						I	R	
				(A)	(B)	(C)	(D)	(E)	(F)			
55	2	123907-03140	SPRING, DIAPHRAGM	1								
57	2	129933-11310	GASKET, BONNET	1								
58	2	119640-61400	PLUG	1								
59	2	175339-79700	CLIP	2								
60	2	22857-500100	SCREW, 5X10	6								
61	2	22857-500100	SCREW, 5X10	6								
62	2	26106-060122	BOLT, M6X 12 PLATED	2								
63	1	124160-11360	KNOB, BONNET	4								
64	1	24311-000120	O-RING, 1AP12.0	4								
65	1	24311-000320	O-RING, 1AP32.0	1								
66	1	129973-07901	LIFTER	1								
67	1	129973-07910	LIFTER	1								
68	1	26106-080202	BOLT, M8X 20 PLATED	2								
69	1	26106-080202	BOLT, M8X 20 PLATED	2								
70	1	129907-11800	GUIDE, VALVE	16								1

Remarks

(1)Spare parts.

Fig.5. SUCTION MANIFOLD

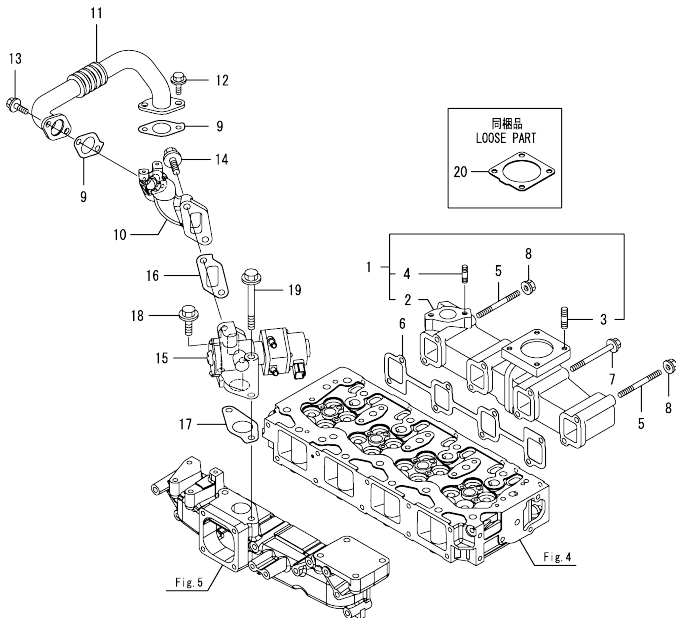


(A)=4TNV98-ZNCR2L
(B)=
(C)=

(D)=
(E)=
(F)=

No.	Lev.	Parts No.	Description	Q'ty					
				(A)	(B)	(C)	(D)	(E)	(F)
1	1	129968-12101	MANIFOLD, AIR INTAKE	1					
2	1	129907-12110	GASKET, MANIFOLD	1					
3	1	26106-080552	BOLT, M8X 55 PLATED	5					
4	1	26106-080852	BOLT, M8X 85 PLATED	5					
5	1	119129-77020	GASKET	1					
6	1	121850-77021	GASKET, AIR HEATER	1					
7	1	119005-77051	HEATER, AIR	1					
8	1	119129-77520	BEND	1					
9	1	26106-080402	BOLT, M8X 40 PLATED	2					
10	1	26106-080902	BOLT, M8X 90 PLATED	2					

Fig.6. EXHAUST MANIFOLD

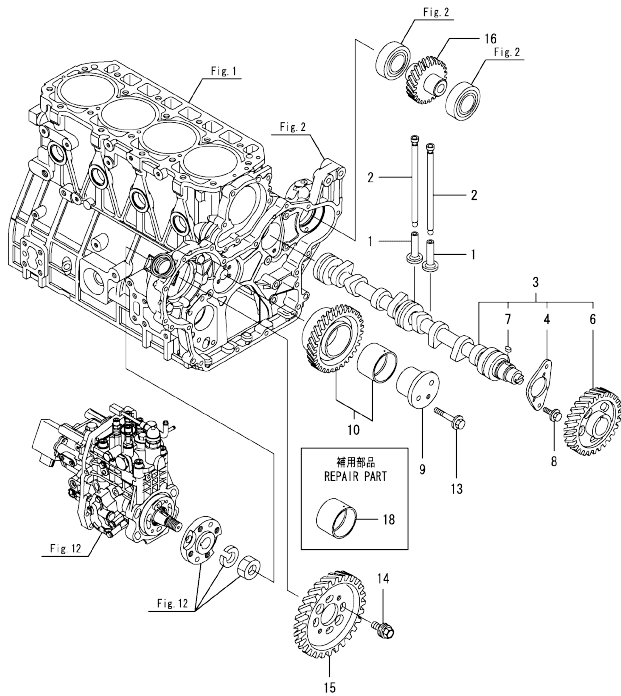


(A)=4TNV98-ZNCR2L
(B)=
(C)=

(D)=
(E)=
(F)=

No.	Lev.	Parts No.	Description	Q'ty						I	R
				(A)	(B)	(C)	(D)	(E)	(F)		
1	1	129968-13150	MANIFOLD ASSY, EXH.	1							
2	2	129968-13100	MANIFOLD, EXHAUST	1							
3	2	119131-18320	BOLT, STUD M8X22	4							
4	2	129418-18320	BOLT, STUD M8X20	2							
5	1	129263-13210	BOLT, STUD M8X90	2							
6	1	129900-13251	GASKET, EXH.MANIFOLD	1							
7	1	119802-13680	BOLT, M8X90 10.9T	6							
8	1	26306-080002	NUT, M8	2							
9	1	129927-13810	GASKET	2							
10	1	129973-13840	PIPE	1							
11	1	129968-13850	PIPE ASSY	1							
12	1	26106-080162	BOLT, M8X 16 PLATED	2							
13	1	26106-080162	BOLT, M8X 16 PLATED	2							
14	1	26106-100302	BOLT, M10X 30 PLATED	2							
15	1	129928-13900	VALVE, EGR	1							
16	1	129927-13910	GASKET, EGR	1							
17	1	129927-13920	GASKET, EGR	1							
18	1	26106-100302	BOLT, M10X 30 PLATED	1							
19	1	26106-100952	BOLT, M10X 95 PLATED	1							
20	1	129930-13201	GASKET, SILENCER	1							

Fig.7. CAMSHAFT & DRIVING GEAR



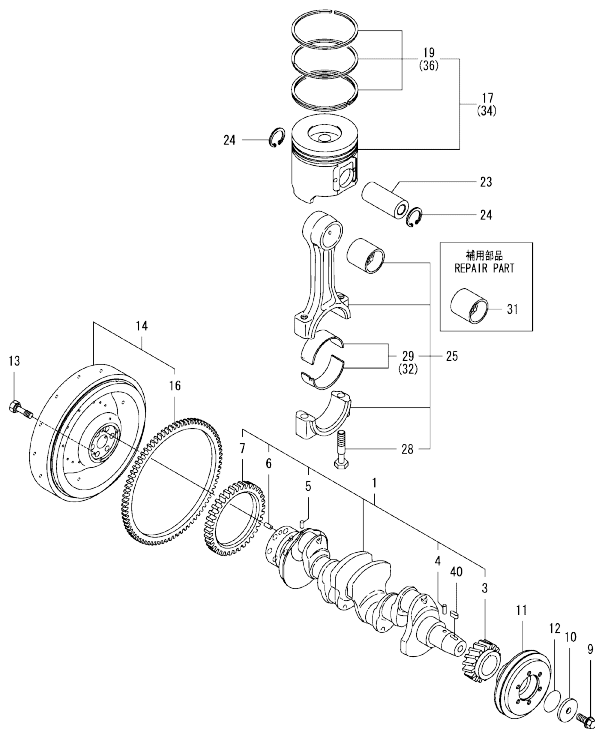
(A)=4TNV98-ZNCR2L
(B)=
(C)=

(D)=
(E)=
(F)=

No.	Lev.	Parts No.	Description	Q'ty						I	R
				(A)	(B)	(C)	(D)	(E)	(F)		
1	1	129150-14200	TAPPET	8							
2	1	129907-14400	PUSH-ROD	8							
3	1	129908-14590	CAMSHAFT ASSY	1							
4	2	129150-02450	BEARING, THRUST	1							
6	2	129900-14110	GEAR, CAMSHAFT	1							
7	2	22512-070140	KEY, 7X 14	1							
8	1	26106-080162	BOLT, M8X 16 PLATED	2							
9	1	123900-25060	SHAFT, IDLE GEAR	1							
10	1	129900-25110	GEAR ASSY, IDLE	1							
13	1	26106-080552	BOLT, M8X 55 PLATED	3							
14	1	129953-25300	BOLT	4							
15	1	129907-25900	GEAR, PUMP	1							
16	1	129900-26030	GEAR ASSY, PUMP	1							
18	1	129150-25920	BUSH, IDLE GEAR	1							1

Remarks
(1)Repair part.

Fig.8. CRANKSHAFT & PISTON



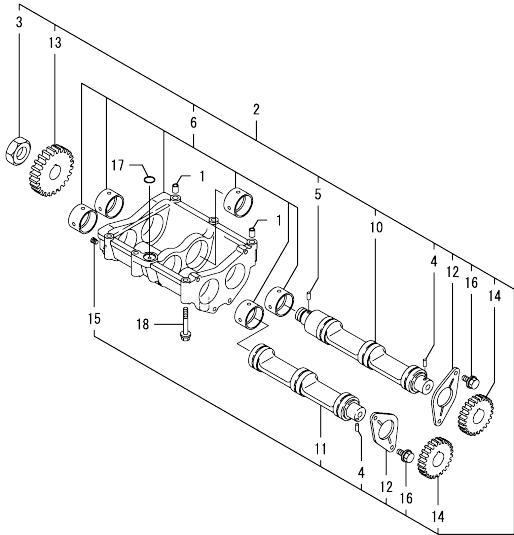
(A)=4TNV98-ZNCR2L
(B)=
(C)=

(D)=
(E)=
(F)=

No.	Lev.	Parts No.	Description	Q'ty						I	R
				(A)	(B)	(C)	(D)	(E)	(F)		
1	1	129942-21000	CRANKSHAFT ASSY	1							
3	2	129900-21220	GEAR, CRANKSHAFT	1							
4	2	121850-21290	PIN	1							
5	2	121850-21290	PIN	1							
6	2	121850-21920	PIN, PARALLEL 10X22	1							
7	2	129956-28321	GEAR, BALANCER	1							
9	1	129916-21610	BOLT	1							
10	1	129960-21640	WASHER	1							
11	1	129973-21670	V-PULLEY, 155	1							
12	1	24341-000530	O-RING, 1AS53.0	1							
13	1	121850-21130	BOLT, FLYWHEEL	6							
14	1	129968-21581	FLYWHEEL ASSY	1							
16	2	129900-21600	GEAR, RING	1							
17	1	129968-22080	PISTON ASSY	4							
19	2	129927-22050	RING SET, PISTON	4							
23	1	120130-22301	PIN, PISTON	4							
24	1	22252-000300	RING, 30	8							
25	1	129900-23001	ROD ASSY, CONNECTING	4							
28	2	129900-23200	BOLT, CONNECTING ROD	8							
29	2	129900-23601	BEARING, CRANK PIN	4							
31	1	129900-23911	BEARING, PISTON PIN	4							1
32	1	129900-23611	BEARING ASSY, 0.25US	4							2
34	1	129968-22900	PISTON ASSY, 0.25 OS	4							3
36	2	129927-22950	RING SET, 0.25 OS	4							3
40	1	22512-070140	KEY, 7X 14	1							

Remarks
(1)Repair part.
(2)Under-sized(U.S.=0.25)part.
(3)Over-sized(O.S.=0.25)part.

Fig.9. BALANCER

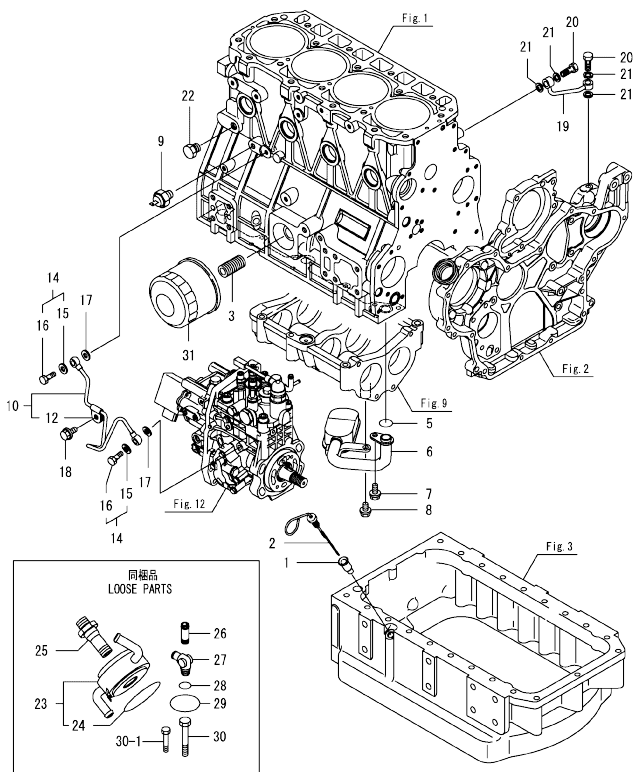


(A)=4TNV98-ZNCR2L
(B)=
(C)=

(D)=
(E)=
(F)=

No.	Lev.	Parts No.	Description	Q'ty						I	R
				(A)	(B)	(C)	(D)	(E)	(F)		
1	1	129795-01960	PIPE, KNOCK 11X12	2							
2	1	129956-28009	BALANCER ASSY	1							
2-1	1	129956-28030	BALANCER ASSY	1							R
(A=E153312)											
3	2	128610-14120	NUT, END	1							
4	2	121850-21290	PIN, CRANK GEAR	2							
5	2	121850-21290	PIN, CRANK GEAR	1							
6	2	129956-28019	CASE ASSY, BALANCER	1							
6-1	2	129956-28040	CASE ASSY, BALANCER	1							R
(A=E153312)											
10	2	129956-28101	SHAFT, BALANCER A	1							
11	2	129956-28111	SHAFT, BALANCER B	1							
12	2	129956-28180	PLATE, THRUST	2							
13	2	129956-28332	GEAR, BALANCER DRIVE	1							
14	2	129956-28341	GEAR, BALANCER	2							
15	2	23876-005000	PLUG, R005	1							
16	2	26106-080162	BOLT, M8X 16 PLATED	4							
17	1	24311-000200	O-RING, 1AP20.0	1							
18	1	26106-080602	BOLT, M8X 60 PLATED	6							

Fig.10. LUB. OIL SYSTEM



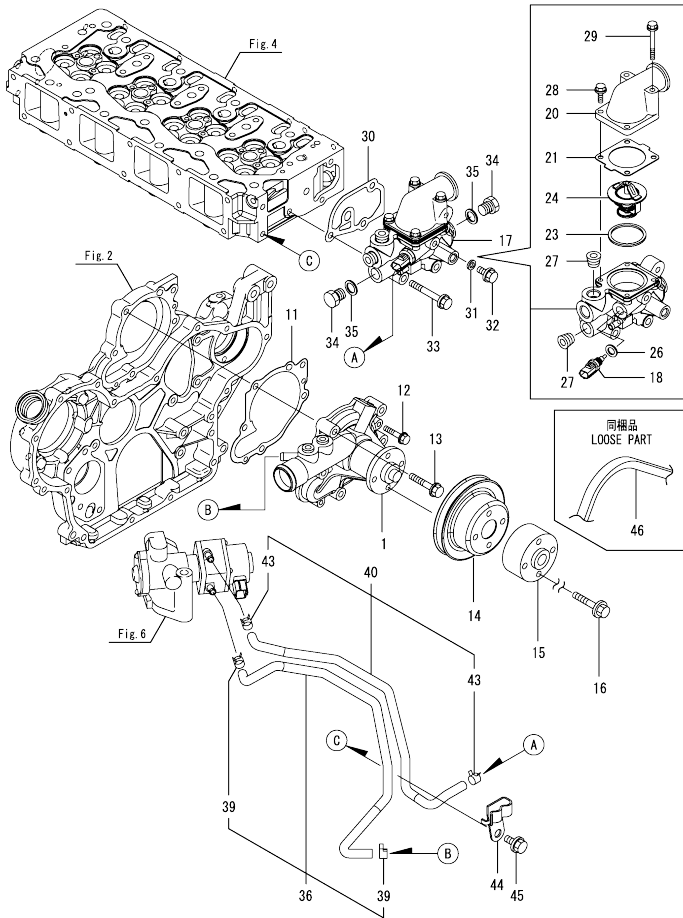
(A)=4TNV98-ZNCR2L
(B)=
(C)=

(D)=
(E)=
(F)=

No.	Lev.	Parts No.	Description	Qty						I	R
				(A)	(B)	(C)	(D)	(E)	(F)		
1	1	119860-34810	GUIDE, DIPSTICK	1							
2	1	129968-34820	DIPSTICK, OIL	1							
3	1	119000-35140	BOLT, FILTER	1							
5	1	129900-32030	O-RING, P20	1							
6	1	129968-35080	PIPE ASSY, LUB,OIL	1							
7	1	26106-080142	BOLT, M8X 14 PLATED	1							
8	1	26106-080202	BOLT, M8X 20 PLATED	1							
9	1	119761-39450	SWITCH, HYDRAULIC	1							
10	1	129927-39060	PIPE ASSY, OIL	1							
12	2	123907-39500	RETAINER, PIPE	1							
14	1	129005-59830	BOLT ASSY, JOINT M8	2							
15	2	22190-080002	WASHER, SEAL 8	2							
16	2	23857-030000	BOLT, JOINT 3	2							
17	1	22190-080002	WASHER, SEAL 8	2							
18	1	26106-080122	BOLT, M8X 12 PLATED	1							
19	1	129930-39050	PIPE, HO PUMP	1							
20	1	105010-39140	BOLT, PIPE JOINT M8	2							
21	1	22190-080002	WASHER, SEAL 8	4							
22	1	171056-49120	PLUG, DRAIN R1/4	1							
23	1	129956-33011	COOLER ASSY, OIL	1							
24	2	129957-33050	O-RING	1							
25	1	129956-33120	BOLT, COOLER	1							
26	1	129122-44480	JOINT, PT1/4	1							
27	1	129466-49300	ELBOW, PT3/8	1							
28	1	24314-000200	O-RING, 4CP20.0	1							
29	1	24321-000600	O-RING, 1AG60.0	1							
30	1	26206-120702	BOLT, M12X 70 PLATED	4							
30-1	1	26206-100452	BOLT, M10X 45 PLATED	4							S
		(A=EG4172)									
31	1	129150-35153	FILTER ASSY, D80X80L	1							1

Remarks
(1)Repair part.

Fig.11. COOLING WATER SYSTEM



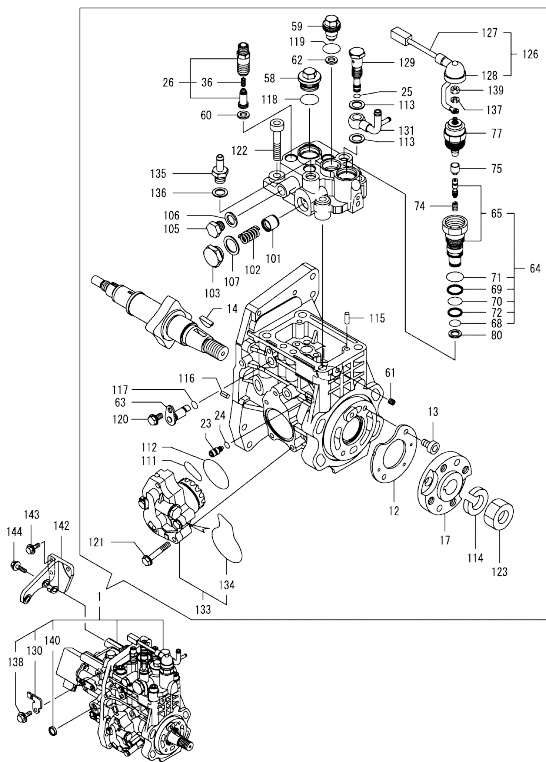
(A)=4TNV98-ZNCR2L
(B)=
(C)=

(D)=
(E)=
(F)=

No.	Lev.	Parts No.	Description	Q'ty						I	R
				(A)	(B)	(C)	(D)	(E)	(F)		
1	1	129927-42000	PUMP ASSY, WATER	1							
11	1	129900-42020	GASKET, WATER PUMP	1							
12	1	26106-060302	BOLT, M6X 30 PLATED	2							
13	1	26106-080552	BOLT, M8X 55 PLATED	5							
14	1	129900-42450	V-PULLEY, C.W.PUMP	1							
15	1	119005-44761	SPACER, FAN	1							
16	1	26106-080452	BOLT, M8X 45 PLATED	4							
17	1	129938-49810	CASE ASSY, THERMOSTAT	1							
18	2	129927-44900	SENSOR, WATER TEMP.	1							
20	2	129980-49530	COVER, THERMOSTAT	1							
21	2	121850-49540	GASKET, THERMOSTAT	1							
23	2	121850-49550	GASKET, THERMOSTAT	1							
24	2	121850-49800	THERMOSTAT, 82C	1							
26	2	22190-120002	WASHER, SEAL 12	1							
27	2	23875-030000	PLUG, R03	2							
28	2	26106-060202	BOLT, M6X 20 PLATED	2							
29	2	26106-060552	BOLT, M6X 55 PLATED	2							
30	1	129900-49870	GASKET, THERMOSTAT	1							
31	1	23414-080000	GASKET, 8X1.0	1							
32	1	26106-080122	BOLT, M8X 12 PLATED	1							
33	1	26106-080602	BOLT, M8X 60 PLATED	3							
34	1	121450-42450	PLUG, M16	2							
35	1	124465-44950	GASKET, 16	2							
36	1	129968-49610	PIPE, WATER	1							
39	2	23080-012000	CLAMP, 12	2							
40	1	129968-49620	PIPE, WATER	1							
43	2	23080-012000	CLAMP, 12	2							
44	1	129968-49850	RETAINER, PIPE	1							
45	1	26106-080142	BOLT, M8X 14 PLATED	1							
46	1	129973-42290	V-BELT, A43.5	1							

N:Old $\frac{New}{Old}$ New, Q:Old $\frac{New}{Old}$ New, R:Old $\frac{New}{Old}$ New, S:Old $\frac{New}{Old}$ New, W:Add, Z:Discontinued, F:Interchangeable by set, K:Q'ty Change
Copyright (C) YANMAR GLOBAL CS CO., LTD. All Rights Reserved.

Fig.12. FUEL INJECTION PUMP



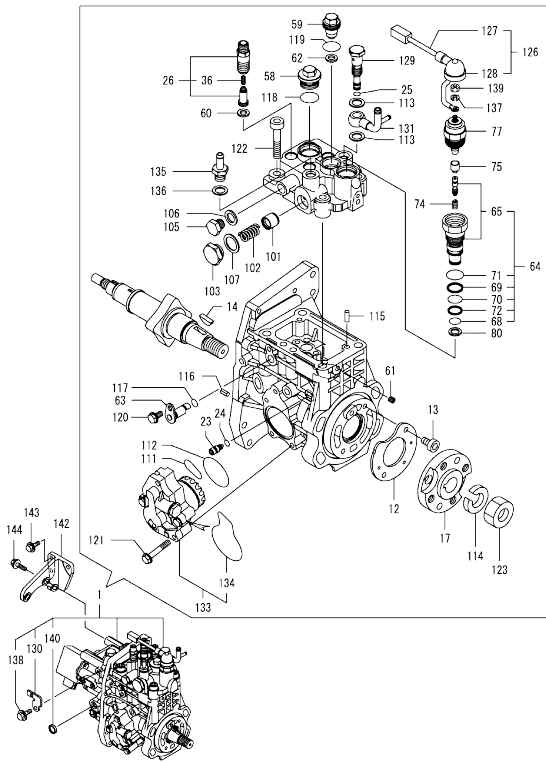
Remarks

(1)Governor(Fig.13)is incorporated in this Fuel Injection Pump (Ref.1).
 (1)Eco Pump
 Make sure to update the engines ECU information when replacing the Eco Pump.
 Failing to do so will result in engine malfunction.

No.	Lev.	Parts No.	Description	Q'ty						I	R
				(A)	(B)	(C)	(D)	(E)	(F)		
1	1	729968-51300	PUMP ASSY, INJECTION	1							1
12	2	129928-51900	COVER, OIL	1							
13	2	129008-51920	BOLT, M6X10	2							
14	2	144626-51090	KEY, FEATHER 5X19	1							
17	2	158563-51150	FLANGE	1							
23	2	158600-51270	STOPPER, TAPPET	1							
24	2	158563-51281	O-RING, 4D S6	1							
25	2	158563-51281	O-RING, 4D S6	1							
26	2	129927-51390	VALVE ASSY, DELIVERY	4							
36	3	158563-51330	SPRING, DELIVERY	4							
58	2	158601-51550	PLUG, M22	1							
59	2	129907-51560	PLUG, M16	1							
60	2	158552-51571	GASKET, BARREL PLUG	4							
61	2	158557-51570	PLUG, RACK	1							
62	2	129906-51580	GASKET, BARREL PLUG	1							
63	2	158552-51580	LIFTER, LINK	1							
64	2	129657-51590	TIMER ASSY	1							
65	3	129657-51600	TIMER ASSY	1							
68	3	158553-51670	O-RING, PUMP TIMER	1							
69	3	119802-51680	RING, BACKUP	1							
70	3	119802-51690	O-RING, 1016	1							
71	3	24356-190200	O-RING, 4D19020	1							
72	3	24372-000150	RING, BACK UP T2P15	1							
74	2	119852-51630	SPRING, TIMER	1							
75	2	119852-51640	CAP, TIMER	1							
77	2	119852-51650	VALVE ASSY, SOLENOID	1							
80	2	158553-51680	GASKET, TIMER	1							
101	2	158601-51770	PISTON, ACCUMULATOR	1							
102	2	158552-51781	SPRING, ACCUMULATOR	1							
103	2	158601-51790	PLUG, ACCUMULATOR	1							
105	2	158553-51930	PLUG, M12	1							
106	2	22190-120002	WASHER, SEAL 12	1							
107	2	22190-180002	WASHER, SEAL 18	1							
111	2	158552-52311	O-RING, FEED PUMP	1							
112	2	158552-52400	O-RING, 4E S42	1							
113	2	22190-120002	WASHER, SEAL 12	2							
114	2	22217-180000	WASHER, SPRING 18	1							
115	2	22312-050140	PIN, PARALLEL 5X14	2							
116	2	22351-050010	PIN, SPRING 5.0X10	2							
117	2	24311-000070	O-RING, 1AP7.0	1							
118	2	24356-190200	O-RING, 4D19020	1							
119	2	24356-240210	O-RING, 4D24021	1							
120	2	26106-060102	BOLT, M6X 10 PLATED	1							
121	2	26106-060352	BOLT, M6X 35 PLATED	4							
122	2	26450-100452	BOLT, M10X 45	4							
123	2	26776-180002	NUT, LOCK M18	1							
126	2	129927-51650	HARNES ASSY, WIRE	1							
127	3	129927-51660	HARNES	1							
128	3	129263-77941	CAP, RUBBER	1							
129	2	158601-51650	JOINT, OVERFLOW	1							
130	2	129927-51670	BRACKET	1							

N:Old $\frac{New}{Old}$ New, Q:Old $\frac{New}{Old}$ New, R:Old $\frac{New}{Old}$ New, S:Old $\frac{New}{Old}$ New, W:Add, Z:Discontinued, F:Interchangeable by set, K:Q'ty Change
 ++ CONTINUE ++
 Copyright (C) YANMAR GLOBAL CS CO., LTD. All Rights Reserved.

Fig.12. FUEL INJECTION PUMP



(A)=4TNV98-ZNCR2L
(B)=
(C)=

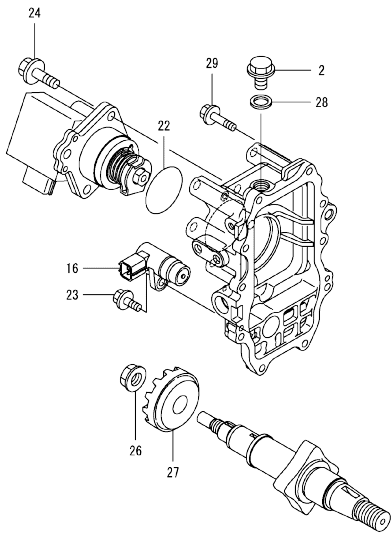
(D)=
(E)=
(F)=

No.	Lev.	Parts No.	Description	Q'ty						I	R
				(A)	(B)	(C)	(D)	(E)	(F)		
131	2	158552-51670	JOINT, OVERFLOW	1							
133	2	158552-52100	PUMP ASSY, FUEL FEED	1							
134	3	158552-52500	O-RING, PUMP INNER	1							
135	2	119934-59910	JOINT, PIPE	1							
136	2	22190-120002	WASHER, SEAL 12	1							
137	2	22217-050000	WASHER, SPRING 5	1							
138	2	26106-060122	BOLT, M6X 12 PLATED	1							
139	2	26716-050002	NUT, M5	1							
140	2	27241-160000	PLUG, 16	1							
142	1	129927-51250	RETAINER, FUEL PUMP	1							
143	1	26106-080202	BOLT, M8X 20 PLATED	3							
144	1	26106-080302	BOLT, M8X 30 PLATED	3							

Remarks

(1)Governor(Fig.13)is incorporated in this Fuel Injection Pump (Ref.1).
(1)Eco Pump
Make sure to update the engines ECU information when replacing the Eco Pump.
Failing to do so will result in engine malfunction.

Fig.13. GOVERNOR



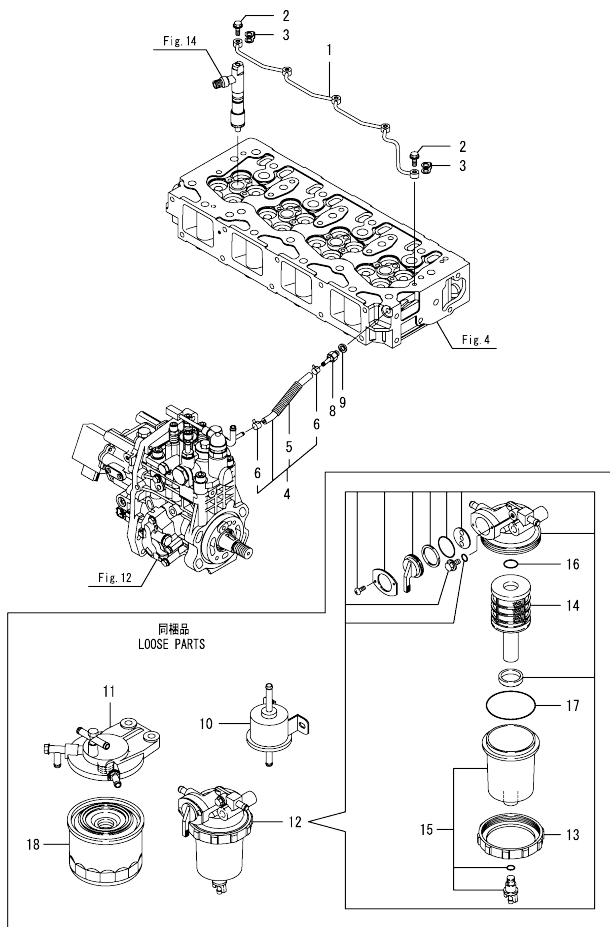
(A)=4TNV98-ZNCR2L
(B)=
(C)=

(D)=
(E)=
(F)=

No.	Lev.	Parts No.	Description	Q'ty					
				(A)	(B)	(C)	(D)	(E)	(F)
2	2	158553-51930	PLUG, M12	1					
16	2	158557-61720	SENSOR, ROTATION	1					
22	2	24341-000480	O-RING, 1AS48.0	1					
23	2	26106-060162	BOLT, M6X 16 PLATED	1					
24	2	26106-080252	BOLT, M8X 25 PLATED	3					
26	2	129008-61301	NUT, SUPPORT	1					
27	2	158553-61780	GEAR, SENSOR	1					
28	2	22190-120002	WASHER, SEAL 12	1					
29	2	26106-060252	BOLT, M6X 25 PLATED	10					

Remarks
*This figure(Governor)is incorporated
in the Fuel Injection Pump (Fig.12).

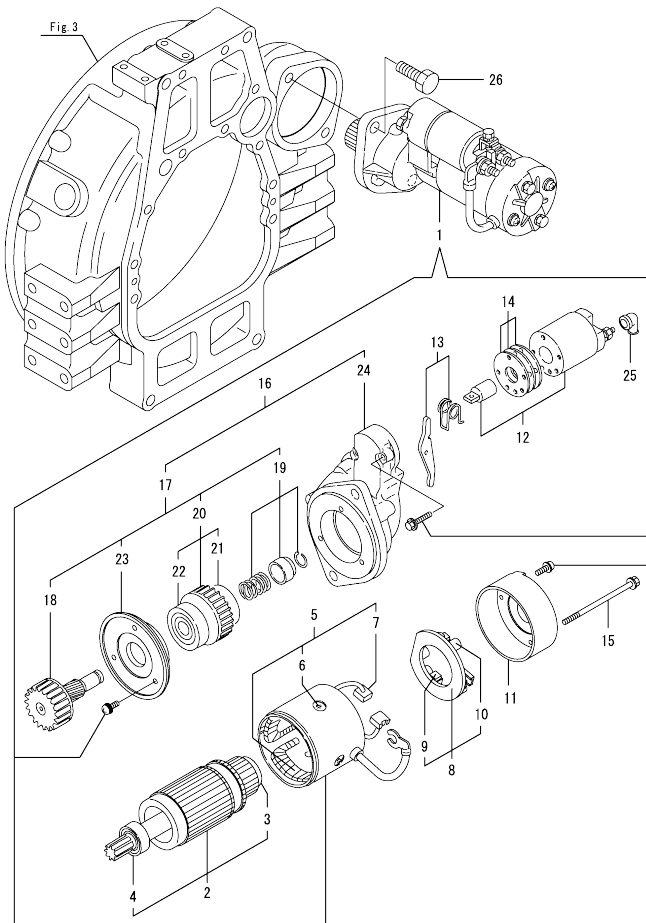
Fig.15. FUEL LINE



No.	Lev.	Parts No.	Description	Q'ty						I	R
				(A)	(B)	(C)	(D)	(E)	(F)		
1	1	129907-59140	PIPE ASSY, RETURN	1							
2	1	123907-59540	BOLT, PIPE JOINT M6	5							
3	1	123907-59550	GASKET	5							
4	1	129927-59550	HOSE ASSY, RETURN	1							
5	2	129263-49750	TUBE, CORRUGATED	1							
6	2	124722-59050	CLAMP, HOSE 9	2							
8	1	123907-59560	JOINT, HOSE	1							
9	1	22190-080002	WASHER, SEAL 6	1							
10	1	119225-52102	PUMP, FUEL FEED	1							
11	1	129004-55612	BRACKET, FILTER	1							
12	1	119802-55700	SEPARATOR ASSY,WATER	1							
13	2	129100-55690	RING, CUP RETAINING	1							
14	2	119802-55710	ELEMENT	1							
15	2	119802-55730	CUP ASSY, SEPARATOR	1							
16	2	24311-000160	O-RING, 1AP16.0	1							
17	2	24321-000650	O-RING, 1AG65.0	1							
18	1	119802-55801	FILTER, FUEL	1							

N:Old $\frac{100}{100}$ New, Q:Old $\frac{100}{100}$ New, R:Old $\frac{100}{100}$ New, S:Old $\frac{100}{100}$ New, W:Add, Z:Discontinued, F:Interchangeable by set, K:Q'ty Change
 Copyright (C) YANMAR GLOBAL CS CO., LTD. All Rights Reserved.

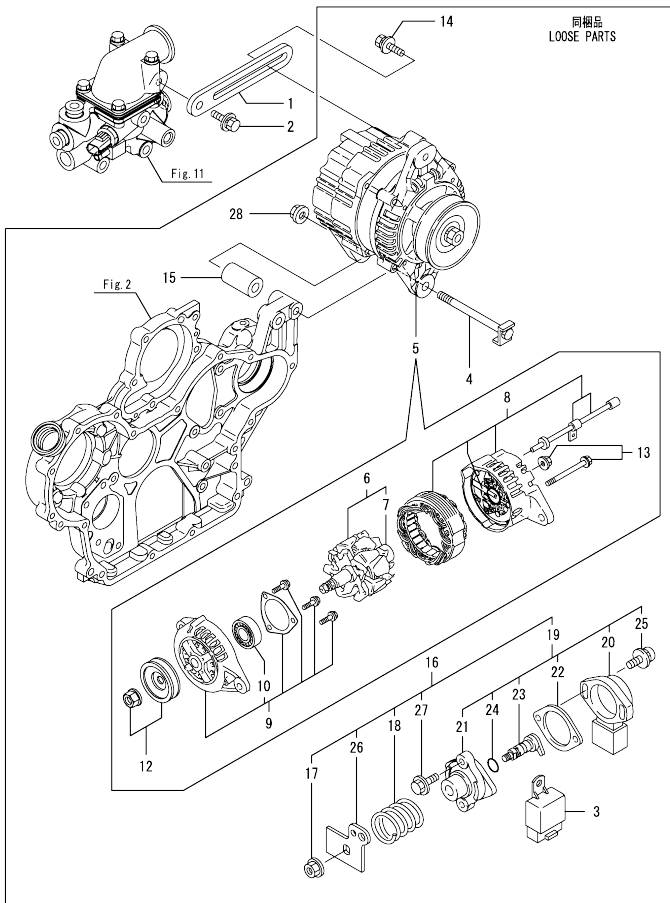
Fig.16. STARTER MOTOR(TO EG0167)



No.	Lev.	Parts No.	Description	Q'ty						I	R
				(A)	(B)	(C)	(D)	(E)	(F)		
1	1	129900-77010	STARTER ASSY	1							
2	2	129900-77400	ARMATURE ASSY	1							
3	3	X2114155110	BEARING, BALL	1							
4	3	X2114255110	BEARING, BALL	1							
5	2	129900-77440	COIL ASSY, FIELD	1							
6	3	171008-77450	SCREW, CORE SET	4							
7	3	129900-77450	BRUSH	2							
8	2	129900-77480	HOLDER ASSY, BRUSH	1							
9	3	129900-77450	BRUSH	2							
10	3	X2130631300	SPRING, BRUSH	4							
11	2	129900-77460	COVER	1							
12	2	129900-77591	SWITCH ASSY, MAGNET	1							
13	2	129900-77620	LEVER SET	1							
14	2	129900-77650	COVER KIT, DUST	1							
15	2	129900-77640	BOLT, THROUGH	2							
16	2	129900-77700	CASE ASSY, GEAR	1							
17	3	129900-77510	PINION ASSY,W/CLUTCH	1							
18	4	129900-77540	SHAFT, PINION	1							
19	4	129900-77550	STOPPER SET, PINION	1							
20	4	129900-77520	CLUTCH ASSY	1							
21	5	171008-77730	BEARING, BALL	1							
22	5	171008-77740	BEARING, BALL	1							
23	4	129900-77610	RETAINER, BEARING	1							
24	3	129900-77710	CASE, GEAR	1							
25	2	171008-77750	COVER, TERMINAL	1							
26	1	26116-120302	BOLT, M12X 30 PLATED	2							

N:Old $\frac{100}{100}$ New, Q:Old $\frac{100}{100}$ New, R:Old $\frac{100}{100}$ New, S:Old $\frac{100}{100}$ New, W:Add, Z:Discontinued, F:Interchangeable by set, K:Q'ty Change
 Copyright (C) YANMAR GLOBAL CS CO., LTD. All Rights Reserved.

Fig.17. GENERATOR

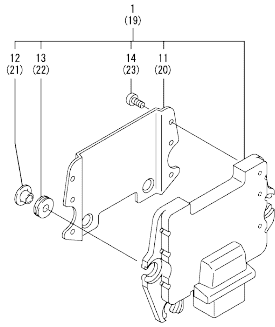


(A)=4TNV98-ZNCR2L
(B)=
(C)=

(D)=
(E)=
(F)=

No.	Lev.	Parts No.	Description	Qty						I	R
				(A)	(B)	(C)	(D)	(E)	(F)		
1	1	129900-77330	ADJUSTER, BELT	1							
2	1	26014-080252	BOLT, M8X 25	1							
3	1	198461-52950	RELAY, CA TYPE C	3							
4	1	129002-77281	BOLT, M10	1							
5	1	129612-77290	ALTERNATOR, 12V-80A	1							
6	2	123910-77740	ROTOR ASSY	1							
7	3	129900-77810	BEARING, BALL	1							
8	2	129612-77820	BRACKET ASSY	1							
9	2	129900-77890	BRACKET ASSY	1							
10	3	129900-77900	BEARING, BALL	1							
12	2	129900-77910	PULLEY	1							
13	2	129900-77920	SCREW KIT	1							
14	1	119810-77340	BOLT, ADJUST L=30	1							
15	1	129002-77340	PIECE, DISTANCE	1							
16	1	129938-77800	SENSOR ASSY, ACCEL	1							
17	2	194990-22130	NUT, M6	1							
18	2	119060-61990	SPRING, RETURN	1							
19	2	129054-77800	SENSOR ASSY, ACCEL	1							
20	3	185100-50070	BODY	1							
21	3	129054-77811	SUPPORT, SENSOR	1							
22	3	129054-77820	GASKET	1							
23	3	129054-77830	SHAFT ASSY	1							
24	3	24311-000070	O-RING, 1AP7.0	1							
25	3	26023-040202	SCREW, M4X20	2							
26	2	129938-77810	LEVER, SENSOR	1							
27	2	26106-060122	BOLT, M6X 12 PLATED	2							
28	1	26306-100002	NUT, M10	1							

Fig.18. ELECTRONIC CONTROL UNIT (ECU)



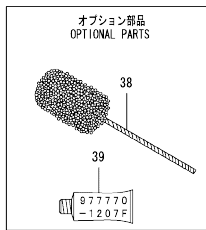
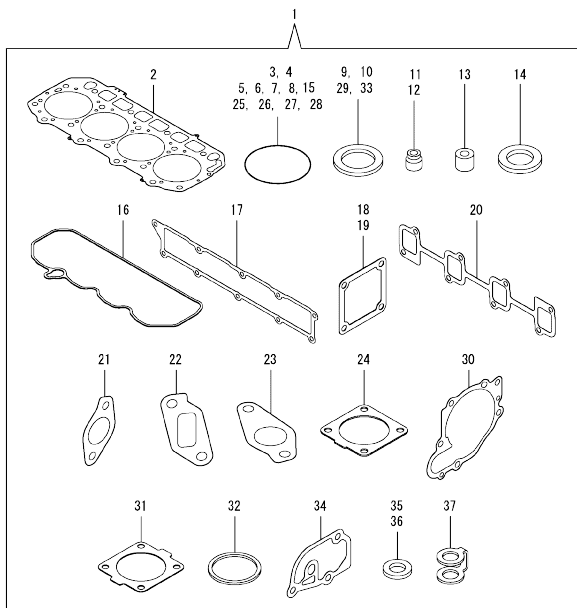
(A)=4TNV98-ZNCR2L
(B)=
(C)=

(D)=
(E)=
(F)=

No.	Lev.	Parts No.	Description	Q'ty						I	R	
				(A)	(B)	(C)	(D)	(E)	(F)			
1	1	129968-75060	CONTROLLER ASSY, EUC	1							1	
11	2	129927-77600	SHIELD, ECU	1								
12	2	129927-77680	COLLAR, CONTROL	3								
13	2	119578-91351	ABSORBER	3								
14	2	22877-500080	SCREW, 5X 8	6								
19	1	129927-75900	ECU ASSY, SERVICE	1								2
20	2	129927-77600	SHIELD, ECU	1								
21	2	129927-77680	COLLAR, CONTROL	3								
22	2	119578-91351	ABSORBER	3								
23	2	22877-500080	SCREW, 5X 8	6								

Remarks
(1)Eco ECU
This part cannot be ordered.
Replace the part using a Service ECU with the proper engine information installed.
(2)Service ECU
If the proper information is not installed, the engine will not operate.
To install proper information, go to an authorized Distributor.

Fig.19. GASKET SET



Remarks
(1)Optional parts.

No.	Lev.	Parts No.	Description	Qty						I	R	
				(A)	(B)	(C)	(D)	(E)	(F)			
1	1	729968-92600	GASKET SET	1							1	
2	2	129907-01331	GASKET, HEAD	1								
3	2	129900-32030	O-RING, P20	2								
4	2	129900-32040	O-RING, P14	1								
5	2	24311-000070	O-RING, 1AP7.0	1								
6	2	24351-030750	O-RING, 1A3075	1								
7	2	24311-000320	O-RING, 1AP32.0	2								
8	2	24321-000850	O-RING, 1AG85.0	1								
9	2	22190-060003	SEAL WASER 6	1								
10	2	22190-160002	WASHER, SEAL 16	1								
11	2	119803-11340	SEAL, VALVE STEM	8								
12	2	124160-11340	SEAL, VALVE STEM	8								
13	2	119802-11870	PROTECTOR, NOZZLE	4								
14	2	119625-11880	SEAT, NOZZLE	4								
15	2	24311-000120	O-RING, 1AP12.0	8								
16	2	129933-11310	GASKET, BONNET	1								
17	2	129907-12110	GASKET, MANIFOLD	1								
18	2	119129-77020	GASKET	1								
19	2	121850-77021	GASKET, AIR HEATER	1								
20	2	129900-13251	GASKET, EXH.MANIFOLD	1								
21	2	129927-13810	GASKET	2								
22	2	129927-13910	GASKET, EGR	1								
23	2	129927-13920	GASKET, EGR	1								
24	2	129930-13201	GASKET, SILENCER	1								
25	2	24341-000530	O-RING, 1AS53.0	1								
26	2	24311-000200	O-RING, 1AP20.0	1								
27	2	24314-000200	O-RING, 4CP20.0	1								
28	2	24321-000600	O-RING, 1AG60.0	1								
29	2	22190-080002	WASHER, SEAL 6	9								
30	2	129900-42020	GASKET, WATER PUMP	1								
31	2	121850-49540	GASKET, THERMOSTAT	1								
32	2	121850-49550	GASKET, THERMOSTAT	1								
33	2	22190-120002	WASHER, SEAL 12	1								
34	2	129900-49870	GASKET, THERMOSTAT	1								
35	2	23414-080000	GASKET, 8X1.0	1								
36	2	124465-44950	GASKET, 16	2								
37	2	123907-59550	GASKET	5								
38	1	129400-92450	HONE, FLEX	1								1
39	1	977770-1207F	GASKET,LIQUID	1								1

Parts No. Index

Parts No.	Fig. No.	Ref. No.	Parts No.	Fig. No.	Ref. No.	Parts No.	Fig. No.	Ref. No.	Parts No.	Fig. No.	Ref. No.
105010-39140	10	20	121850-21290	8	5	129100-01580	2	1	129900-32030	10	5
105425-01690	3	13		9	4		3	1		19	3
114250-53080	14	5			5	129100-55690	15	13	129900-32040	2	18
114250-53120	14	9	121850-21920	8	6	129122-44480	10	26		19	4
114250-53130	14	10	121850-49540	11	21	129150-02450	7	4	129900-42020	11	11
114250-53140	14	11		19	31	129150-11230	4	35		19	30
114250-53210	14	12	121850-49550	11	23			39	129900-42450	11	14
119000-35140	10	3		19	32	129150-11750	4	17	129900-49870	11	30
119005-44761	11	15	121850-49800	11	24			36		19	34
119005-77051	5	7	121850-77021	5	6			40	129900-77010	16	1
119060-61990	17	18		19	19	129150-14200	7	1	129900-77330	17	1
119129-77020	5	5	123472-59120	14	45	129150-25920	7	18	129900-77400	16	2
	19	18	123900-25060	7	9	129150-35153	10	31	129900-77440	16	5
119129-77520	5	8	123907-03100	4	52	129150-59131	14	44	129900-77450	16	7
119131-18320	6	3	123907-03110	4	53	129263-13210	6	5			9
119225-52102	15	10	123907-03120	4	54	129263-49750	15	5	129900-77460	16	11
119305-59120	14	41	123907-03140	4	55	129263-77941	12	128	129900-77480	16	8
119309-01810	1	31	123907-11280	4	32	129400-92450	19	38	129900-77510	16	17
119578-91351	18	13	123907-11550	4	1	129418-18320	6	4	129900-77520	16	20
		22	123907-11601	14	40	129466-49300	10	27	129900-77540	16	18
119593-11301	4	27	123907-11820	4	19	129612-77290	17	5	129900-77550	16	19
119620-01750	3	7	123907-11830	4	18	129612-77820	17	8	129900-77591	16	12
119620-11180	4	12	123907-39500	10	12	129657-51590	12	64	129900-77610	16	23
119625-11880	4	23	123907-59540	15	2	129657-51600	12	65	129900-77620	16	13
	19	14	123907-59550	15	3	129693-44310	3	16	129900-77640	16	15
119640-61400	4	58		19	37	129795-01960	9	1	129900-77650	16	14
119761-39450	10	9	123907-59560	15	8	129900-01200	1	27	129900-77700	16	16
119802-11870	4	22	123910-77740	17	6	129900-01250	1	4	129900-77710	16	24
	19	13	124160-01751	2	25	129900-01850	2	37	129900-77810	17	7
119802-13680	6	7		4	47	129900-01870	2	38	129900-77890	17	9
119802-51680	12	69	124160-11340	4	14	129900-02020	1	6	129900-77900	17	10
119802-51690	12	70		19	12	129900-02341	1	35	129900-77910	17	12
119802-55700	15	12	124160-11360	4	63	129900-02410	1	9	129900-77920	17	13
119802-55710	15	14	124411-01780	3	21	129900-02931	1	24	129906-51580	12	62
119802-55730	15	15	124465-44950	11	35	129900-02941	1	38	129907-01331	1	28
119802-55801	15	18		19	36	129900-13251	6	6		19	2
119803-11340	4	13	124722-59050	15	6		19	20	129907-03011	4	49
	19	11	128610-14120	9	3	129900-14110	7	6	129907-03061	4	50
119803-53400	14	13	129002-77281	17	4	129900-14140	2	42	129907-03070	4	51
119810-77340	17	14	129002-77340	17	15	129900-21220	8	3	129907-11100	4	9
119852-51630	12	74	129004-55612	15	11	129900-21600	8	16	129907-11110	4	10
119852-51640	12	75	129005-59830	10	14	129900-23001	8	25	129907-11120	4	11
119852-51650	12	77	129008-51920	12	13	129900-23200	8	28	129907-11250	4	29
119860-34810	10	1	129008-61301	13	26	129900-23601	8	29	129907-11260	4	30
119934-59910	12	135	129054-77800	17	19	129900-23611	8	32	129907-11270	4	31
120130-22301	8	23	129054-77811	17	21	129900-23911	8	31	129907-11341	4	28
121023-26071	2	31	129054-77820	17	22	129900-25110	7	10	129907-11510	4	15
121450-42450	11	34	129054-77830	17	23	129900-26030	7	16	129907-11650	4	33
121850-21130	8	13	129100-01580	1	29	129900-26250	2	43	129907-11660	4	37
121850-21290	8	4			30	129900-32030	2	17	129907-11800	4	70

Parts No. Index

Parts No.	Fig. No.	Ref. No.
129907-11910	4	24
129907-11920	4	41
129907-11950	4	25
129907-12110	5	2
	19	17
129907-14400	7	2
129907-25900	7	15
129907-51560	12	59
129907-59140	15	1
129908-14590	7	3
129916-01800	2	36
129916-21610	8	9
129922-03120	4	54 -1
129922-11320	4	48 -1
129927-11320	4	48
129927-11700	4	2
129927-13810	6	9
	19	21
129927-13910	6	16
	19	22
129927-13920	6	17
	19	23
129927-22050	8	19
129927-22950	8	36
129927-39060	10	10
129927-42000	11	1
129927-42140	2	18 A
129927-44900	11	18
129927-51250	12	142
129927-51390	12	26
129927-51650	12	126
129927-51660	12	127
129927-51670	12	130
129927-53000	14	2
129927-59550	15	4
129927-75900	18	19
129927-77600	18	11
		20
129927-77680	18	12
		21
129928-13900	6	15
129928-51900	12	12
129930-13201	6	20
	19	24
129930-39050	10	19
129933-11310	4	57
	19	16
129938-49810	11	17
129938-77800	17	16
129938-77810	17	26

Parts No.	Fig. No.	Ref. No.
129942-21000	8	1
129951-01740	2	27
129953-25300	7	14
129956-01640	3	19
129956-01700	3	10
129956-01710	1	11
129956-28009	9	2
129956-28019	9	6
129956-28030	9	2 -1
129956-28040	9	6 -1
129956-28101	9	10
129956-28111	9	11
129956-28180	9	12
129956-28321	8	7
129956-28332	9	13
129956-28341	9	14
129956-32001	2	4
129956-33011	10	23
129956-33120	10	25
129957-33050	10	24
129960-21640	8	10
129962-01500	2	3
129968-01650	3	2
129968-01670	3	4
129968-01680	3	4 -1
129968-01760	3	12
129968-12101	5	1
129968-13100	6	2
129968-13150	6	1
129968-13850	6	11
129968-21581	8	14
129968-22080	8	17
129968-22900	8	34
129968-34820	10	2
129968-35080	10	6
129968-49610	11	36
129968-49620	11	40
129968-49850	11	44
129968-75060	18	1
129972-01731	3	11
129973-01650	3	2 -1
129973-01652	3	2 -2
129973-07901	4	66
129973-07910	4	67
129973-13840	6	10
129973-21670	8	11
129973-42290	11	46
129973-59700	14	46
129973-59810	14	50
129973-59820	14	51

Parts No.	Fig. No.	Ref. No.
129973-59830	14	52
129973-59840	14	53
129980-49530	11	20
144626-51090	12	14
158552-51571	12	60
158552-51580	12	63
158552-51670	12	131
158552-51781	12	102
158552-52100	12	133
158552-52311	12	111
158552-52400	12	112
158552-52500	12	134
158553-51670	12	68
158553-51680	12	80
158553-51930	12	105
	13	2
158553-61780	13	27
158557-51570	12	61
158557-61720	13	16
158563-51150	12	17
158563-51281	12	24
	25	25
158563-51330	12	36
158600-51270	12	23
158601-51550	12	58
158601-51650	12	129
158601-51770	12	101
158601-51790	12	103
171008-77450	16	6
171008-77730	16	21
171008-77740	16	22
171008-77750	16	25
171051-01921	1	5
171056-49120	10	22
175339-79700	4	59
185100-50070	17	20
194990-22130	17	17
198461-52950	17	3
22190-060003	3	5
	19	9
22190-080002	10	15
		17
		21
	15	9
	19	29
22190-120002	11	26
	12	106
		113
		136
	13	28

Parts No.	Fig. No.	Ref. No.
22190-120002	19	33
22190-160002	3	15
	19	10
22190-180002	12	107
22217-050000	12	137
22217-180000	12	114
22252-000300	8	24
22312-050140	12	115
22351-050010	12	116
22351-060012	1	12
22512-070140	7	7
	8	40
22857-500100	4	60
		61
22877-500080	18	14
		23
23080-012000	11	39
		43
23414-080000	11	31
	19	35
23857-030000	10	16
23875-030000	11	27
23876-005000	9	15
23876-020000	4	6
23876-030000	1	13
		14
	4	7
24311-000070	2	19
	12	117
	17	24
	19	5
24311-000120	4	26
		64
	19	15
24311-000160	15	16
24311-000200	9	17
	19	26
24311-000320	2	26
	4	65
	19	7
24314-000200	10	28
	19	27
24321-000600	10	29
	19	28
24321-000650	15	17
24321-000850	2	32
	19	8
24341-000480	13	22
24341-000530	8	12
	19	25

Parts No. Index

Parts No.	Fig. No.	Ref. No.
24351-030750	2	20
	19	6
24356-190200	12	71
		118
24356-240210	12	119
24372-000150	12	72
26014-080252	17	2
26023-040202	17	25
26106-060102	12	120
26106-060122	3	6
	4	62
	12	138
	17	27
26106-060162	13	23
26106-060202	11	28
26106-060252	13	29
26106-060302	11	12
26106-060352	12	121
26106-060552	11	29
26106-080122	3	17
	10	18
	11	32
26106-080142	10	7
	11	45
26106-080162	2	21
		39
	6	12
		13
	7	8
	9	16
26106-080202	2	22
		28
	4	68
		69
	10	8
	12	143
26106-080252	13	24
26106-080302	3	22
	12	144
26106-080402	2	40
	4	43
	5	9
26106-080452	2	23
		29
	11	16
26106-080552	5	3
	7	13
	11	13
26106-080602	4	44
		45

Parts No.	Fig. No.	Ref. No.
26106-080602	9	18
	11	33
26106-080702	2	41
26106-080752	2	30
26106-080852	3	18
	5	4
26106-080902	5	10
26106-100202	2	33
26106-100302	6	14
		18
26106-100952	6	19
26116-120302	16	26
26206-100352	3	8
26206-100452	3	9 -1
	10	30 -1
26206-100702	3	9
26206-120702	10	30
26216-060202	14	48
26216-100302	2	16
26226-080222	4	42
26306-080002	4	46
	6	8
26306-100002	2	24
	17	28
26366-060002	14	54
26450-100452	12	122
26716-050002	12	139
26776-180002	12	123
27241-160000	12	140
27241-300000	1	10
27241-400000	4	8
27310-070001	4	20
729900-02801	1	32
729907-01559	2	34
729927-53100	14	1
729968-01560	1	1
729968-51300	12	1
729968-92600	19	1
977770-1207F	19	39
X2114155110	16	3
X2114255110	16	4
X2130631300	16	10

Parts No.	Fig. No.	Ref. No.
-----------	----------	----------

Parts No.	Fig. No.	Ref. No.
-----------	----------	----------