

0CD50-M05210EN

# P R E F A C E

This parts catalog is the 1st edition of 4TNV98-ZCVYU, 4TNV98-ZCVYUC for Yuchai.

Published : July, 2019

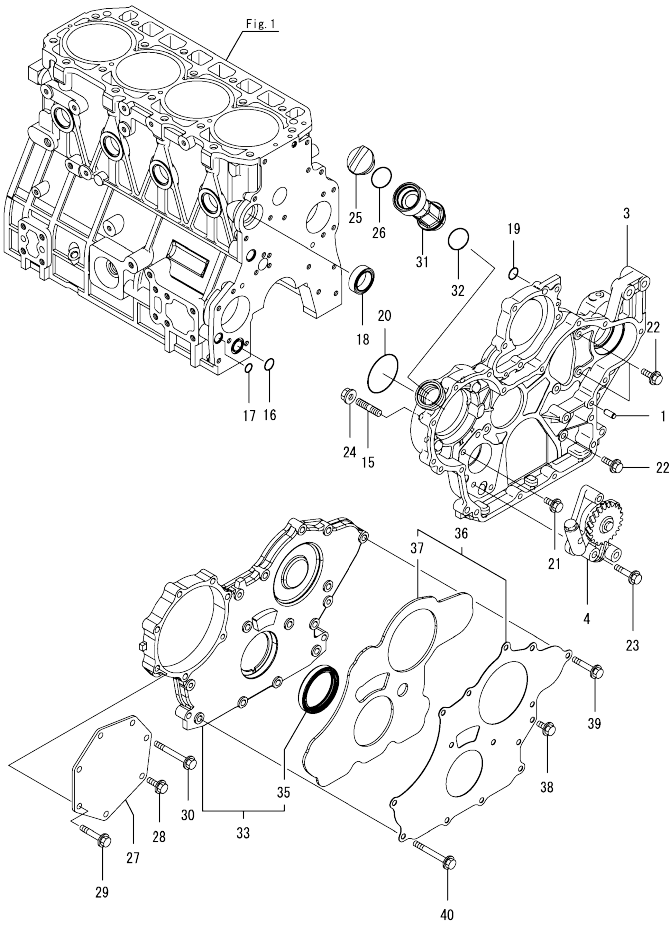
## Contents

0CD50-M05210

Fig. No.	Fig. Name	Fig. No.	Fig. Name
ENGINE			
1.	CYLINDER BLOCK		
2.	GEAR HOUSING		
3.	FLYWHEEL HOUSING & OIL SUMP		
4.	CYLINDER HEAD & BONNET		
5.	SUCTION MANIFOLD		
6.	EXHAUST MANIFOLD		
7.	CAMSHAFT & DRIVING GEAR		
8.	CRANKSHAFT & PISTON		
9.	CRANKSHAFT & PISTON		
10.	LUB. OIL SYSTEM		
11.	COOLING WATER SYSTEM		
12.	FUEL INJECTION PUMP		
13.	GOVERNOR		
14.	FUEL INJECTION VALVE		
15.	FUEL PIPE		
16.	STARTER MOTOR		
17.	GENERATOR		
18.	ELECTRONIC CONTROL UNIT(ECU)		
19.	ACCESSORY		
20.	GASKET SET		



Fig.2. GEAR HOUSING



(A)=4TNV98-ZCVYU  
(B)=4TNV98-ZCVYUC  
(C)=

(D)=  
(E)=  
(F)=

No.	Lev.	Parts No.	Description	Qty						I	R
				(A)	(B)	(C)	(D)	(E)	(F)		
1	1	129100-01580	PIN, PARALLEL 8X16	4	4						
3	1	129944-01500	CASE, GEAR	1	1						
4	1	129900-32001	PUMP ASSY, OIL	1	1						
15	1	26216-100302	STUD, M10X 30	4	4						
16	1	129900-32030	O-RING, P20	1	1						
17	1	129900-32040	O-RING, P14	1	1						
18	1	129927-42140	GASKET, PUMP OUTLET	1	1						
19	1	24311-000070	O-RING, 1AP7.0	1	1						
20	1	24351-030750	O-RING, 1A3075	1	1						
21	1	26106-080162	BOLT, M8X 16 PLATED	1	1						
22	1	26106-080202	BOLT, M8X 20 PLATED	3	3						
23	1	26106-080452	BOLT, M8X 45 PLATED	3	3						
24	1	26306-100002	NUT, M10	4	4						
25	1	124160-01751	CAP, FILLER	1	1						
26	1	24311-000320	O-RING, 1AP32.0	1	1						
27	1	129951-01740	COVER, PUMP TIMING	1	1						
28	1	26106-080202	BOLT, M8X 20 PLATED	1	1						
29	1	26106-080452	BOLT, M8X 45 PLATED	5	5						
30	1	26106-080752	BOLT, M8X 75 PLATED	1	1						
31	1	121027-11743	PIPE, FILLER	1	1						
32	1	24311-000320	O-RING, 1AP32.0	1	1						
33	1	729906-01550	COVER ASSY, CASE	1	1						
35	2	129916-01800	SEAL, OIL	1	1						
36	1	129900-01850	COVER ASSY, CASE	1	1						
37	2	129900-01870	SPONGE, COVER	1	1						
38	1	26106-080162	BOLT, M8X 16 PLATED	3	3						
39	1	26106-080402	BOLT, M8X 40 PLATED	5	5						
40	1	26106-080702	BOLT, M8X 70 PLATED	6	6						

Fig.3. FLYWHEEL HOUSING & OIL SUMP

(A)=4TNV98-ZCVYU  
 (B)=4TNV98-ZCVYUC  
 (C)=

(D)=  
 (E)=  
 (F)=

No.	Lev.	Parts No.	Description	Q'ty						I	R
				(A)	(B)	(C)	(D)	(E)	(F)		
1	1	129100-01580	PIN, PARALLEL 8X16	2	2						
2	1	129900-01620	HOUSING, FLYWHEEL	1	1						
5	1	119620-01750	CAP, WHEEL COVER	1	1						
6	1	26206-100352	BOLT, M10X 35 PLATED	9	9						
7	1	26206-100702	BOLT, M10X 70 PLATED	4	4						
8	1	129916-01790	SEAL, D115/95XT11	1	1						
9	1	129916-01710	OIL PAN ASSY	1	1						
10	2	119640-01640	PLUG, DRAIN M22	1	1						
12	2	22190-220002	WASHER, SEAL 22	1	1						
13	1	26106-080122	BOLT, M8X 12 PLATED	16	16						

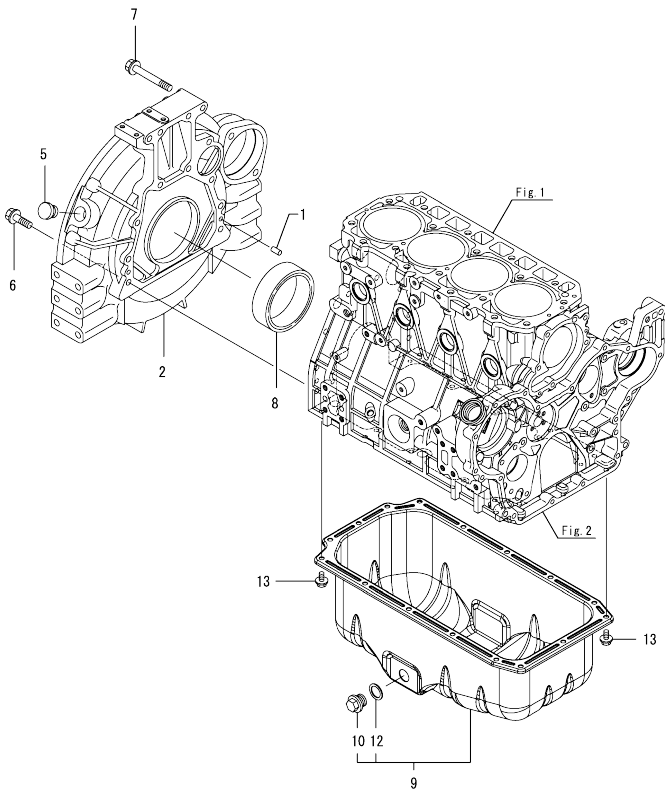
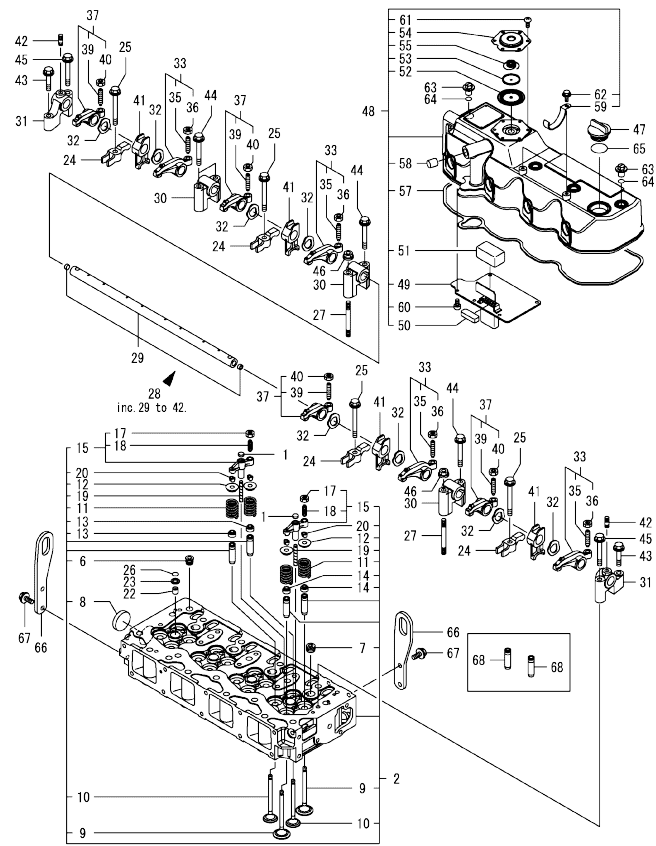


Fig.4. CYLINDER HEAD & BONNET



(A)=4TNV98-ZCVYU  
(B)=4TNV98-ZCVYUC  
(C)=

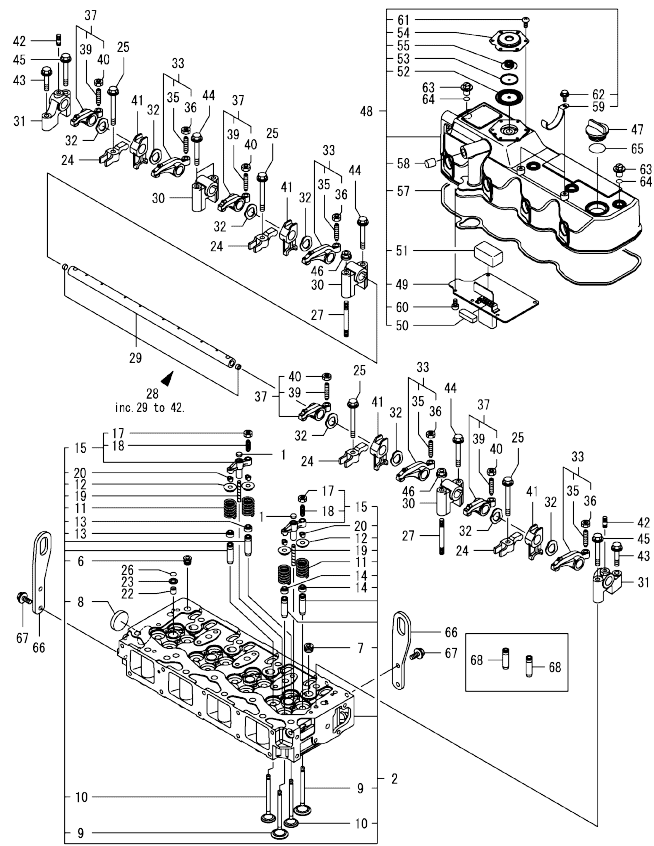
(D)=  
(E)=  
(F)=

No.	Lev.	Parts No.	Description	Q'ty						I	R
				(A)	(B)	(C)	(D)	(E)	(F)		
1	1	123907-11550	SEAT, VALVE BRIDGE	8	8						
2	1	129927-11700	HEAD ASSY, CYLINDER	1	1						
6	2	23876-020000	PLUG, R02	1	1						
7	2	23876-030000	PLUG, R03	4	4						
8	2	27241-400000	PLUG, 40	1	1						
9	2	129907-11100	VALVE, INTAKE	8	8						
10	2	129907-11110	VALVE, EXHAUST	8	8						
11	2	129907-11120	SPRING, VALVE	16	16						
12	2	119620-1180	RETAINER, SPRING	16	16						
13	2	119803-11340	SEAL, VALVE STEM	8	8						
14	2	124160-11340	SEAL, VALVE STEM	8	8						
15	2	129907-11510	BRIDGE ASSY, VALVE	8	8						
17	3	129150-11750	NUT, M8XP1.0	8	8						
18	3	123907-11830	ADJUSTER, BRIDGE	8	8						
19	2	123907-11820	GUIDE, BRIDGE	8	8						
20	2	27310-070001	COTTER, 7	16	16						
22	1	119802-11870	PROTECTOR, NOZZLE	4	4						
23	1	119625-11880	SEAT, NOZZLE	4	4						
24	1	129907-11960	RETAINER, NOZZLE	4	4						
25	1	129907-11950	BOLT, VALVE HOLDER	4	4						
26	1	24311-000120	O-RING, 1AP12.0	4	4						
27	1	119593-11301	STUD, M8X80	2	2						
28	1	129907-11341	SUPPORT ASSY, ROCKER	1	1						
29	2	129907-11250	SHAFT, ROCKER ARM	1	1						
30	2	129907-11260	SUPPORT, ROCKER A	3	3						
31	2	129907-11270	SUPPORT, ROCKER B	2	2						
32	2	123907-11280	WASHER, WAVE	8	8						
33	2	129907-11650	ARM ASSY, ROCKER INT	4	4						
35	3	129150-11230	SCREW, VALVE ADJUST	4	4						
36	3	129150-11750	NUT, M8XP1.0	4	4						
37	2	129907-11660	ARM ASSY, ROCKER EXH	4	4						
39	3	129150-11230	SCREW, VALVE ADJUST	4	4						
40	3	129150-11750	NUT, M8XP1.0	4	4						
41	2	129907-11920	RETAINER, NOZZLE	4	4						
42	2	26226-080222	STUD, M8X 22	2	2						
43	1	26106-080402	BOLT, M8X 40 PLATED	2	2						
44	1	26106-080602	BOLT, M8X 60 PLATED	4	4						
45	1	26106-080602	BOLT, M8X 60 PLATED	2	2						
46	1	26306-080002	NUT, M8	2	2						
47	1	124160-01751	CAP, FILLER	1	1						
48	1	129927-11320	BONNET ASSY, HEAD	1	1						
49	2	129907-03011	PLATE, BAFFLE	1	1						
50	2	129907-03061	BAFFLE, BREATHER	1	1						
51	2	129907-03070	BAFFLE, BREATHER	1	1						
52	2	123907-03100	DIAPHRAGM, BREATHER	1	1						
53	2	123907-03110	PLATE, CENTER	1	1						
54	2	123907-03120	PLATE, BREATHER	1	1						
55	2	123907-03140	SPRING, DIAPHRAGM	1	1						
57	2	129933-11310	GASKET, BONNET	1	1						
58	2	119640-61400	PLUG	1	1						
59	2	175339-79700	CLIP	2	2						

Remarks

(1) Spare parts.

Fig.4. CYLINDER HEAD & BONNET



(A)=4TNV98-ZCVYU  
(B)=4TNV98-ZCVYUC  
(C)=

(D)=  
(E)=  
(F)=

No.	Lev.	Parts No.	Description	Q'ty						I	R
				(A)	(B)	(C)	(D)	(E)	(F)		
60	2	22857-500100	SCREW, 5X10	6	6						
61	2	22857-500100	SCREW, 5X10	6	6						
62	2	26106-060122	BOLT, M6X 12 PLATED	2	2						
63	1	124160-11360	KNOB, BONNET	4	4						
64	1	24311-000120	O-RING, 1AP12.0	4	4						
65	1	24311-000320	O-RING, 1AP32.0	1	1						
66	1	129907-07900	LIFTER, ENGINE	2	2						
67	1	26106-080162	BOLT, M8X 16 PLATED	4	4						
68	1	129907-11800	GUIDE, VALVE	16	16						1

Remarks

(1)Spare parts.



Fig.5. SUCTION MANIFOLD

(A)=4TNV98-ZCVYU  
 (B)=4TNV98-ZCVYUC  
 (C)=

(D)=  
 (E)=  
 (F)=

No.	Lev.	Parts No.	Description	Q'ty					
				(A)	(B)	(C)	(D)	(E)	(F)
1	1	129907-12110	GASKET, MANIFOLD	1	1				
2	1	129927-12150	MANIFOLD ASSY,INTAKE	1	1				
3	2	129927-12100	MANIFOLD, AIR INTAKE	1	1				
4	2	26216-060202	STUD, M6X 20	2	2				
5	1	26106-080452	BOLT, M8X 45 PLATED	6	6				
6	1	26106-080802	BOLT, M8X 80 PLATED	4	4				
7	1	119129-77020	GASKET, AIR HEATER	1	1				
8	1	121850-77021	GASKET, AIR HEATER	1	1				
9	1	119005-77051	HEATER, AIR	1	1				
10	1	119129-77520	BEND, INLET	1	1				
11	1	26106-080402	BOLT, M8X 40 PLATED	2	2				
12	1	26106-080902	BOLT, M8X 90 PLATED	2	2				

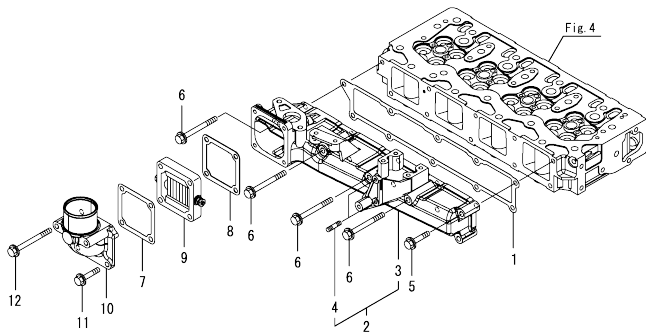


Fig.6. EXHAUST MANIFOLD

(A)=4TNV98-ZCVYU  
 (B)=4TNV98-ZCVYUC  
 (C)=

(D)=  
 (E)=  
 (F)=

No.	Lev.	Parts No.	Description	Q'ty						
				(A)	(B)	(C)	(D)	(E)	(F)	
1	1	129927-13150	MANIFOLD ASSY	1	1					
2	2	129927-13101	MANIFOLD, EXHAUST	1	1					
3	2	119131-18320	STUD, M8X22	4	4					
4	2	129418-18320	STUD, M8X20	2	2					
5	1	129263-13210	STUD, M8X90	2	2					
6	1	129900-13251	GASKET, MANIFOLD	1	1					
7	1	129E00-13650	BOLT, M8X90 10.9T	6	6					
8	1	26306-080002	NUT, M8	2	2					
9	1	129927-13800	PIPE ASSY, EGR	1	1					
10	1	129927-13810	GASKET, EGR PIPE	1	1					
11	1	26106-100302	BOLT, M10X 30 PLATED	2	2					
12	1	26306-080002	NUT, M8	2	2					
13	1	129928-13900	VALVE, EGR	1	1					
14	1	129927-13910	GASKET, EGR	1	1					
15	1	129927-13920	GASKET, EGR	1	1					
16	1	26106-100302	BOLT, M10X 30 PLATED	1	1					
17	1	26106-100952	BOLT, M10X 95 PLATED	1	1					

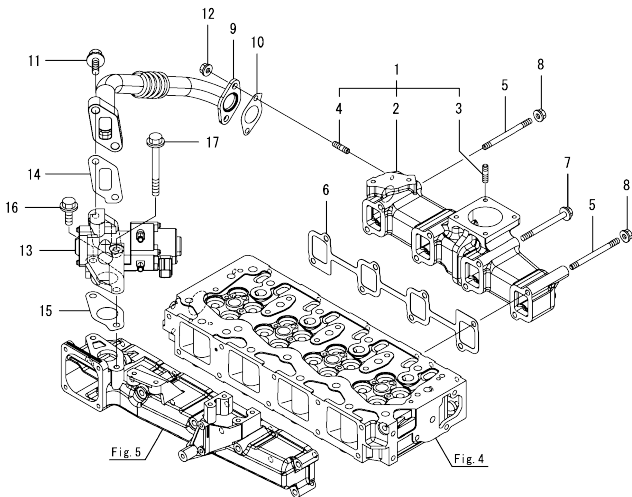
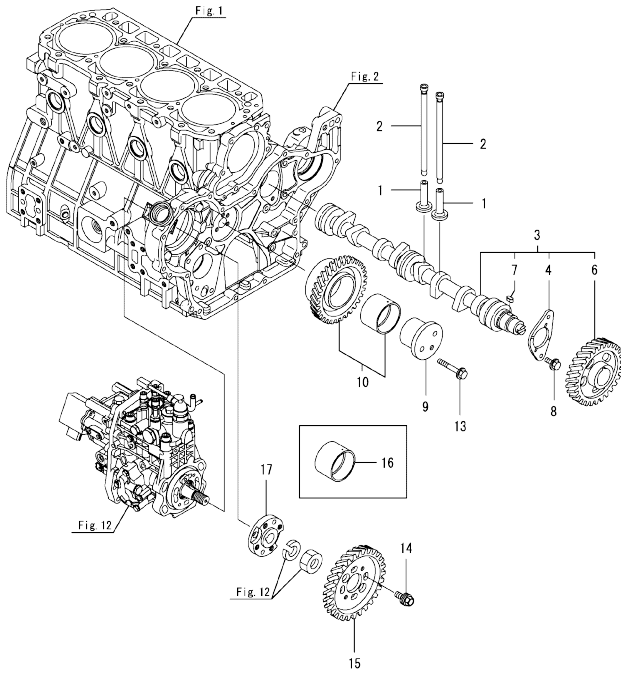


Fig.7. CAMSHAFT & DRIVING GEAR



(A)=4TNV98-ZCVYU  
(B)=4TNV98-ZCVYUC  
(C)=

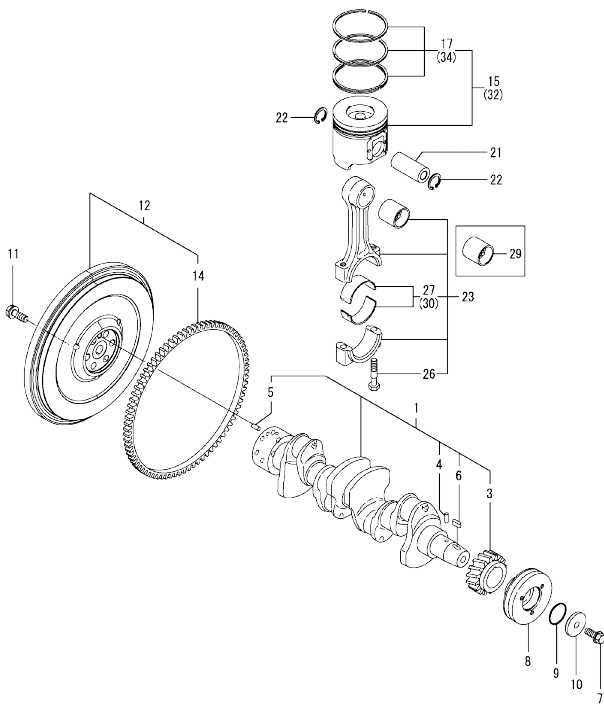
(D)=  
(E)=  
(F)=

No.	Lev.	Parts No.	Description	Q'ty						I	R
				(A)	(B)	(C)	(D)	(E)	(F)		
1	1	129150-14200	TAPPET	8	8						
2	1	129907-14400	ROD, PUSH	8	8						
3	1	129932-14580	CAMSHAFT ASSY	1	1						
4	2	129150-02450	METAL, THRUST	1	1						
6	2	129900-14100	GEAR, CAMSHAFT	1	1						
7	2	22512-070140	KEY, 7X 14	1	1						
8	1	26106-080142	BOLT, M8X 14 PLATED	2	2						
9	1	123900-25060	SHAFT, IDLE GEAR	1	1						
10	1	129927-25100	GEAR ASSY, IDLE	1	1						
13	1	26106-080552	BOLT, M8X 55 PLATED	3	3						
14	1	129953-25300	BOLT, PUMP BODY	4	4						
15	1	129907-25900	GEAR, PUMP	1	1						
16	1	129927-25920	BUSH, IDLE GEAR	1	1						1
17	1	158563-51150	FLANGE	1	1						

Remarks

(1)Spare parts.

Fig.8. CRANKSHAFT & PISTON



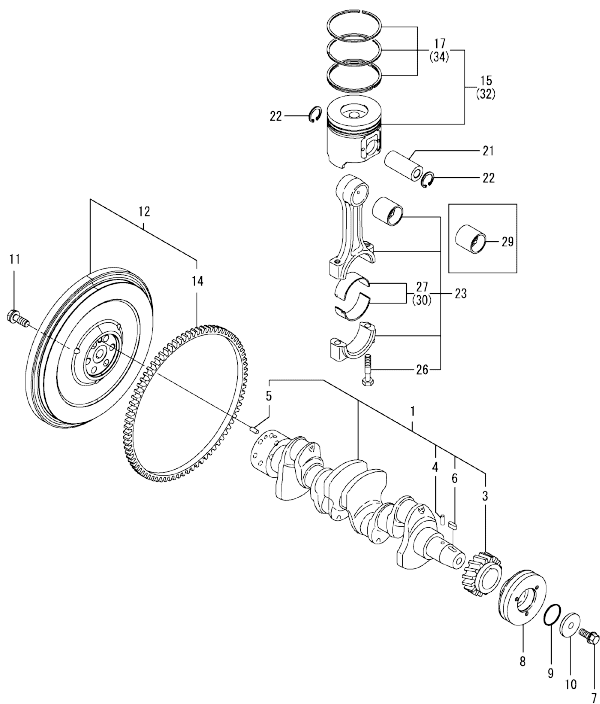
(A)=4TNV98-ZCVYU  
(B)=4TNV98-ZCVYUC  
(C)=

(D)=  
(E)=  
(F)=

No.	Lev.	Parts No.	Description	Q'ty						I	R
				(A)	(B)	(C)	(D)	(E)	(F)		
1	1	129902-21000	CRANKSHAFT ASSY	1							
3	2	129900-21200	GEAR, CRANKSHAFT	1							
4	2	121850-21290	PIN, CRANK GEAR	1							
5	2	121850-21920	PIN, PARALLEL 10X22	1							
6	2	22512-070140	KEY, 7X 14	1							
7	1	129916-21610	BOLT, V-PULLEY	1							
8	1	129916-21680	V-PULLEY, CRANKSHAFT	1							
9	1	129960-21930	GASKET, WASHER	1							
10	1	129960-21940	WASHER, V-PULLEY	1							
11	1	121850-21130	BOLT, FLYWHEEL	6							
12	1	129916-21590	FLYWHEEL ASSY	1							
14	2	129900-21600	GEAR, RING	1							
15	1	129926-22080	PISTON ASSY	4							
17	2	129E00-22050	RING SET, PISTON	4							
21	1	120130-22301	PIN, PISTON	4							
22	1	22252-000300	RING, 30	8							
23	1	129900-23001	ROD ASSY, CONNECTING	4							
26	2	129900-23200	BOLT, CONNECTING ROD	8							
27	2	129927-23600	BEARING ASSY, PIN	4							
29	1	129900-23911	METAL, PISTON PIN	4							1
30	1	129927-23600	BEARING ASSY, PIN	4							2
32	1	129E00-22900	PISTON ASSY, 0.25 OS	4							3
34	2	129E00-22950	RING SET, PISTON .25	4							3

Remarks  
(1)Spare parts.  
(2)Under-sized(U.S.=0.25) parts.  
(3)Over-sized(O.S.=0.25) parts.

Fig.9. CRANKSHAFT & PISTON



(A)=4TNV98-ZCVYU  
(B)=4TNV98-ZCVYUC  
(C)=

(D)=  
(E)=  
(F)=

No.	Lev.	Parts No.	Description	Q'ty						I	R	
				(A)	(B)	(C)	(D)	(E)	(F)			
1	1	129902-21000	CRANKSHAFT ASSY		1							
3	2	129900-21200	GEAR, CRANKSHAFT		1							
4	2	121850-21290	PIN, CRANK GEAR		1							
5	2	121850-21920	PIN, PARALLEL 10X22		1							
6	2	22512-070140	KEY, 7X 14		1							
7	1	129916-21610	BOLT, V-PULLEY		1							
8	1	129916-21680	V-PULLEY, CRANKSHAFT		1							
9	1	129960-21930	GASKET, WASHER		1							
10	1	129960-21940	WASHER, V-PULLEY		1							
11	1	121850-21130	BOLT, FLYWHEEL		6							
12	1	129916-21590	FLYWHEEL ASSY		1							
14	2	129900-21600	GEAR, RING		1							
15	1	129927-22080	PISTON ASSY		4							
17	2	129927-22050	RING SET, PISTON		4							
21	1	120130-22301	PIN, PISTON		4							
22	1	22252-000300	RING, 30		8							
23	1	129900-23001	ROD ASSY, CONNECTING		4							
26	2	129900-23200	BOLT, CONNECTING ROD		8							
27	2	129927-23600	BEARING ASSY, PIN		4							
29	1	129900-23911	METAL, PISTON PIN		4							1
30	1	129927-23610	BEARING ASSY, PIN US		4							2
32	1	729927-22900	PISTON ASSY, 0.25 OS		4							3
34	2	729927-22950	RING SET, PISTON .25		4							3

Remarks

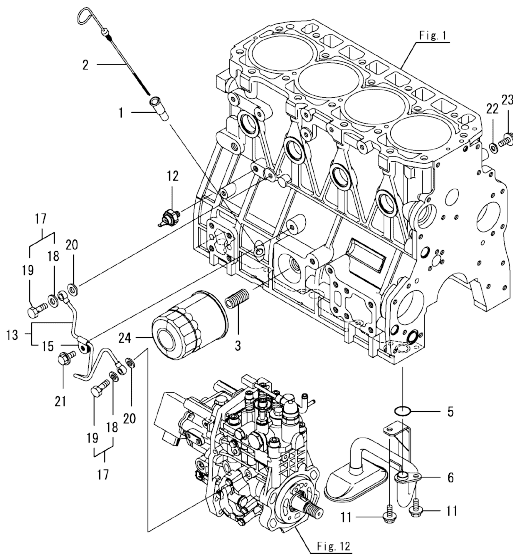
- (1) Spare parts.
- (2) Under-sized (U.S.=0.25) parts.
- (3) Over-sized (O.S.=0.25) parts.

Fig.10. LUB. OIL SYSTEM

(A)=4TNV98-ZCVYU  
(B)=4TNV98-ZCVYUC  
(C)=

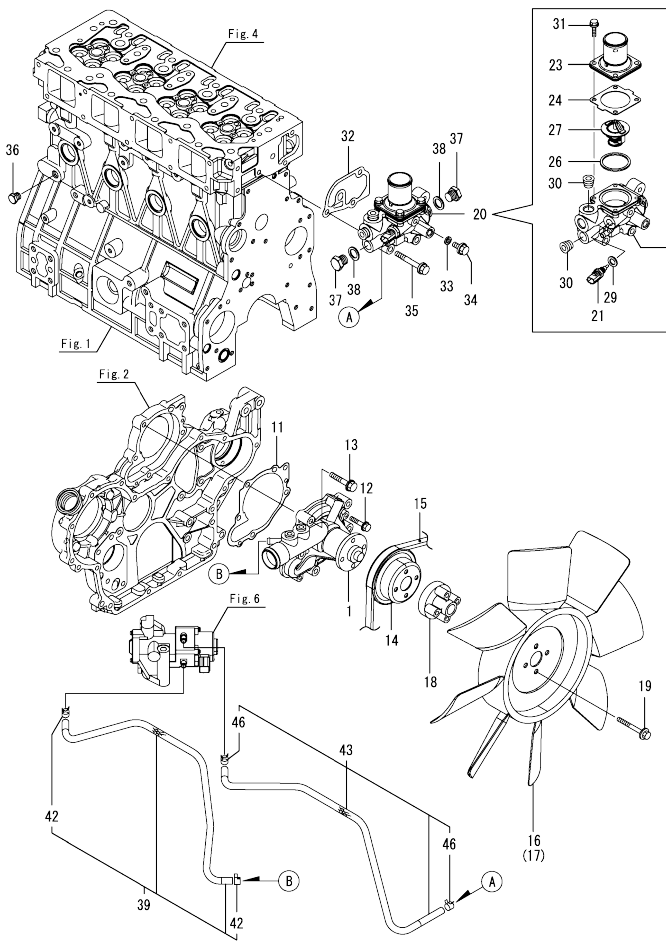
(D)=  
(E)=  
(F)=

No.	Lev.	Parts No.	Description	Q'ty						I	R
				(A)	(B)	(C)	(D)	(E)	(F)		
1	1	121520-34810	GUIDE, DIPSTICK	1	1						
2	1	129906-34851	DIPSTICK, OIL	1	1						
3	1	119000-35140	BOLT, FILTER	1	1						
5	1	129900-32030	O-RING, P20	1	1						
6	1	129953-35000	PIPE ASSY, OIL INLET	1	1						
11	1	26106-080122	BOLT, M8X 12 PLATED	2	2						
12	1	119761-39450	SWITCH, HYDRAULIC	1	1						
13	1	129927-39060	PIPE ASSY, OIL	1	1						
15	2	123907-39500	RETAINER, PIPE	1	1						
17	1	129005-59830	BOLT ASSY, JOINT M8	2	2						
18	2	22190-080002	WASHER, SEAL 8	2	2						
19	2	23857-030000	BOLT, JOINT 3	2	2						
20	1	22190-080002	WASHER, SEAL 8	2	2						
21	1	26106-080122	BOLT, M8X 12 PLATED	1	1						
22	1	22190-080002	WASHER, SEAL 8	1	1						
23	1	26106-080122	BOLT, M8X 12 PLATED	1	1						
24	1	119005-35151	FILTER, D80X100	1	1						1



Remarks  
(1)Spare parts.

Fig.11. COOLING WATER SYSTEM



(A)=4TNV98-ZCVYU  
(B)=4TNV98-ZCVYUC  
(C)=

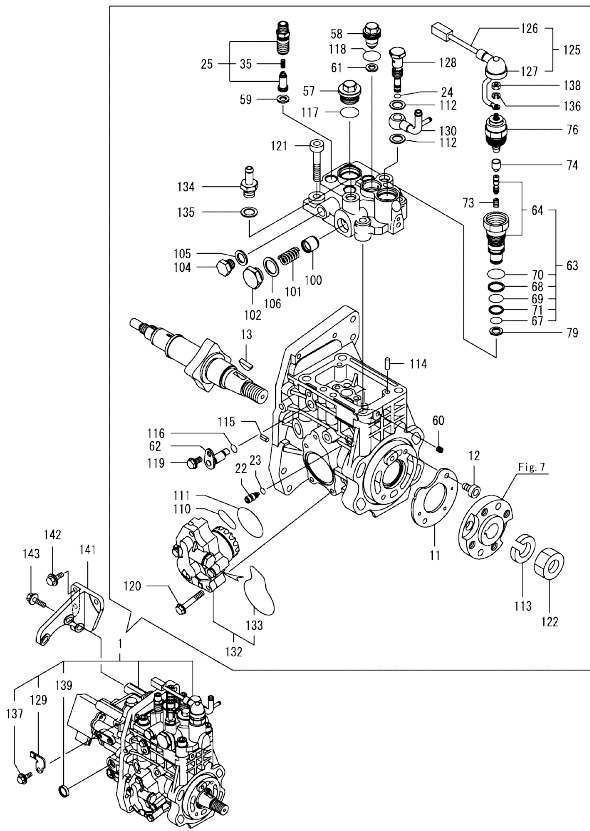
(D)=  
(E)=  
(F)=

No.	Lev.	Parts No.	Description	Q'ty						I	R
				(A)	(B)	(C)	(D)	(E)	(F)		
1	1	129927-42002	PUMP ASSY, CW	1	1						
11	1	129900-42020	GASKET, WATER PUMP	1	1						
12	1	26106-060302	BOLT, M6X 30 PLATED	2	2						
13	1	26106-080552	BOLT, M8X 55 PLATED	5	5						
14	1	129900-42450	V-PULLEY, PUMP	1	1						
15	1	25152-004300	V-BELT, A43	1	1						
16	1	129953-44710	FAN, COOLING D=460	1							
17	1	129985-44710	FAN, COOLING		1						
18	1	119141-44760	SPACER, FAN	1	1						
19	1	26106-080552	BOLT, M8X 55 PLATED	4	4						
20	1	129927-49800	CASE ASSY,THERMOSTAT	1	1						
21	2	129927-44900	SENSOR, TEMPERATURE	1	1						
23	2	129916-49530	COVER, THERMOSTAT	1	1						
24	2	121850-49540	GASKET, THERMOSTAT	1	1						
26	2	121850-49550	GASKET, THERMOSTAT	1	1						
27	2	121850-49811	THERMOSTAT, 71C	1	1						
29	2	22190-120002	WASHER, SEAL 12	1	1						
30	2	23875-030000	PLUG, R03	2	2						
31	2	26106-060202	BOLT, M6X 20 PLATED	4	4						
32	1	129900-49870	GASKET, THERMOSTAT	1	1						
33	1	23414-080000	GASKET, 8X1.0	1	1						
34	1	26106-080122	BOLT, M8X 12 PLATED	1	1						
35	1	26106-080602	BOLT, M8X 60 PLATED	3	3						
36	1	171056-49120	PLUG, DRAIN R1/4	1	1						
37	1	121450-42450	PLUG, M16	2	2						
38	1	124465-44950	GASKET, 16	2	2						
39	1	129927-49610	HOSE ASSY, WATER A	1	1						
42	2	23080-012000	CLAMP, 12	2	2						
43	1	129927-49620	HOSE ASSY, WATER B	1	1						
46	2	23080-012000	CLAMP, 12	2	2						

Fig.12. FUEL INJECTION PUMP

(A)=4TNV98-ZCVYU  
(B)=4TNV98-ZCVYUC  
(C)=

(D)=  
(E)=  
(F)=



No.	Lev.	Parts No.	Description	Q'ty						I	R	
				(A)	(B)	(C)	(D)	(E)	(F)			
1	1	729923-51360	FIE ASSY	1	1						1	
11	2	129928-51900	COVER, OIL	1	1							
12	2	129008-51920	BOLT, M6X10	2	2							
13	2	144626-51090	KEY, FEATHER 5X19	1	1							
22	2	158600-51270	STOPPER, TAPPET	1	1							
23	2	158563-51281	O-RING, 4D S6	1	1							
24	2	158563-51281	O-RING, 4D S6	1	1							
25	2	129927-51390	VALVE ASSY, DELIVERY	4	4							
35	3	158563-51330	SPRING, DELIVERY	4	4							
57	2	158601-51550	PLUG, M22	1	1							
58	2	129907-51560	PLUG, M16	1	1							
59	2	158552-51571	GASKET, BARREL PLUG	4	4							
60	2	158557-51570	PLUG, RACK	1	1							
61	2	129906-51580	GASKET, BARREL PLUG	1	1							
62	2	158552-51580	LIFTER, LINK	1	1							
63	2	129657-51590	TIMER ASSY	1	1							
64	3	129657-51600	TIMER ASSY	1	1							
67	3	158553-51670	O-RING, PUMP TIMER	1	1							
68	3	119802-51680	RING, BACKUP	1	1							
69	3	119802-51690	O-RING, 1016	1	1							
70	3	24356-190200	O-RING, 4D19020	1	1							
71	3	24372-000150	RING, BACK UP T2P15	1	1							
73	2	119852-51630	SPRING, TIMER	1	1							
74	2	119852-51640	CAP, TIMER	1	1							
76	2	119852-51650	VALVE ASSY, SOLENOID	1	1							
79	2	158553-51680	GASKET, TIMER	1	1							
100	2	158601-51770	PISTON, ACCUMULATOR	1	1							
101	2	158552-51781	SPRING, ACCUMULATOR	1	1							
102	2	158601-51790	PLUG, ACCUMULATOR	1	1							
104	2	158553-51930	PLUG, M12	1	1							
105	2	22190-120002	WASHER, SEAL 12	1	1							
106	2	22190-180002	WASHER, SEAL 18	1	1							
110	2	158552-52311	O-RING, FEED PUMP	1	1							
111	2	158552-52400	O-RING, 4E S42	1	1							
112	2	22190-120002	WASHER, SEAL 12	2	2							
113	2	22217-180000	WASHER, SPRING 18	1	1							
114	2	22312-050140	PIN, PARALLEL 5X14	2	2							
115	2	22351-050010	PIN, SPRING 5.0X10	2	2							
116	2	24311-000070	O-RING, 1AP7.0	1	1							
117	2	24356-190200	O-RING, 4D19020	1	1							
118	2	24356-240210	O-RING, 4D24021	1	1							
119	2	26106-060102	BOLT, M6X 10 PLATED	1	1							
120	2	26106-060352	BOLT, M6X 35 PLATED	4	4							
121	2	26450-100452	BOLT, M10X 45	4	4							
122	2	26776-180002	NUT, LOCK M18	1	1							
125	2	129927-51650	HARNES ASSY, WIRE	1	1							
126	3	129927-51660	HARNES	1	1							
127	3	129263-77941	CAP, RUBBER	1	1							
128	2	158601-51650	JOINT, OVERFLOW	1	1							
129	2	129927-51670	BRACKET	1	1							
130	2	158552-51670	JOINT, OVERFLOW	1	1							

Remarks

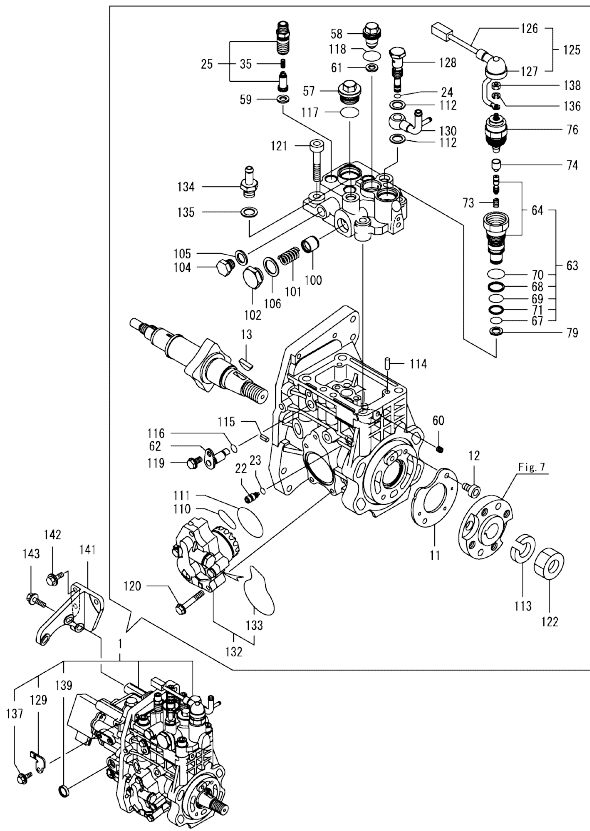
(1)Governor(Fig.13) is incorporated in this Fuel Injection Pump(No.1).  
(1)Eco pump  
Make sure to update the engines ECU information when replacing the Eco pump.  
Failing to do so will result in engine malfunction.



Fig.12. FUEL INJECTION PUMP

(A)=4TNV98-ZCVYU  
(B)=4TNV98-ZCVYUC  
(C)=

(D)=  
(E)=  
(F)=



No.	Lev.	Parts No.	Description	Q'ty					
				(A)	(B)	(C)	(D)	(E)	(F)
132	2	158552-52100	PUMP ASSY, FUEL FEED	1	1				
133	3	158552-52500	O-RING, PUMP INNER	1	1				
134	2	119934-59910	JOINT, PIPE	1	1				
135	2	22190-120002	WASHER, SEAL 12	1	1				
136	2	22217-050000	WASHER, SPRING 5	1	1				
137	2	26106-060122	BOLT, M6X 12 PLATED	1	1				
138	2	26716-050002	NUT, M5	1	1				
139	2	27241-160000	PLUG, 16	1	1				
141	1	129927-51250	RETAINER, FUEL PUMP	1	1				
142	1	26106-080202	BOLT, M8X 20 PLATED	3	3				
143	1	26106-080302	BOLT, M8X 30 PLATED	3	3				

Remarks

(1)Governor(Fig.13) is incorporated in this Fuel Injection Pump(No.1).  
(1)Eco pump  
Make sure to update the engines ECU information when replacing the Eco pump.  
Failing to do so will result in engine malfunction.

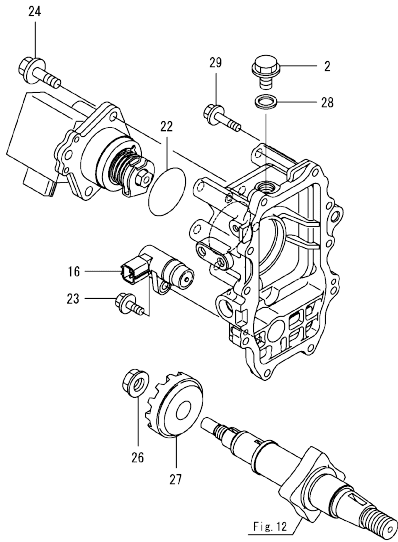
OCD50-M05210 ENGINE  
**Fig.13. GOVERNOR**

OCD50-M05210 Fig.13

(A)=4TNV98-ZCVYU  
 (B)=4TNV98-ZCVYUC  
 (C)=

(D)=  
 (E)=  
 (F)=

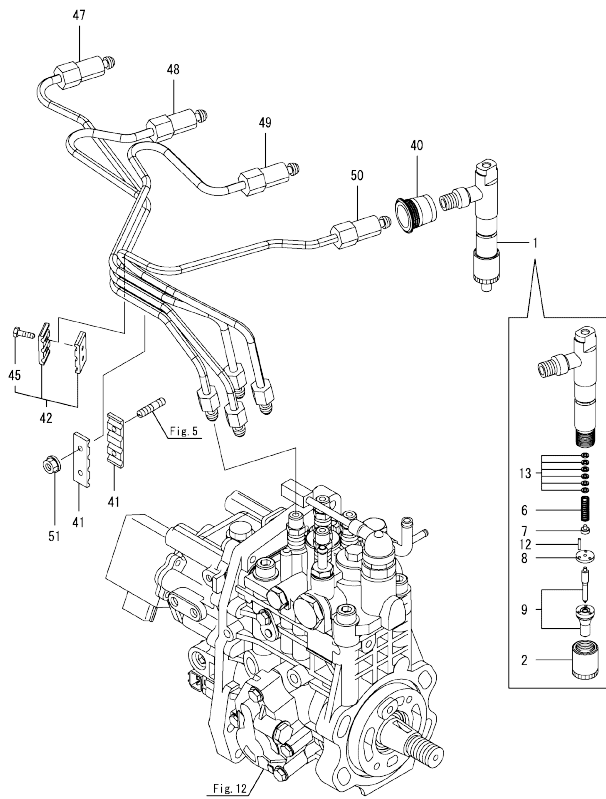
No.	Lev.	Parts No.	Description	Q'ty						I	R
				(A)	(B)	(C)	(D)	(E)	(F)		
2	2	158553-51930	PLUG, M12	1	1						
16	2	158557-61720	SENSOR, ROTATION	1	1						
22	2	24341-000480	O-RING, 1AS48.0	1	1						
23	2	26106-060162	BOLT, M6X 16 PLATED	1	1						
24	2	26106-080252	BOLT, M8X 25 PLATED	3	3						
26	2	129008-61301	NUT, SUPPORT	1	1						
27	2	158553-61780	GEAR, SENSOR	1	1						
28	2	22190-120002	WASHER, SEAL 12	1	1						
29	2	26106-060252	BOLT, M6X 25 PLATED	10	10						



Remarks  
 \* This figure(Governor) is incorporated in the Fuel Injection Pump(Fig.12).

N:Old  $\frac{100}{100}$  New, Q:Old  $\frac{100}{100}$  New, R:Old  $\frac{100}{100}$  New, S:Old  $\frac{100}{100}$  New, W:Add, Z:Discontinued, F:Interchangeable by set, K:Q'ty Change  
 Copyright (C) 2019 YANMAR GLOBAL CS CO., LTD. All Rights Reserved.

Fig.14. FUEL INJECTION VALVE



(A)=4TNV98-ZCVVU  
(B)=4TNV98-ZCVYUC  
(C)=

(D)=  
(E)=  
(F)=

No.	Lev.	Parts No.	Description	Q'ty						
				(A)	(B)	(C)	(D)	(E)	(F)	
1	1	729927-53200	VALVE ASSY,INJECTION	4	4					
2	2	114250-53080	NUT, NOZZLE	4	4					
6	2	114250-53120	SPRING, NOZZLE	4	4					
7	2	114250-53130	SEAT, SPRING	4	4					
8	2	114250-53140	SPACER, VALVE STOP	4	4					
9	2	129927-53200	VALVE ASSY,INJECTION	4	4					
12	2	114250-53210	PIN, POSITIONING	8	8					
13	2	119803-53400	SHIM SET	4	4					1
40	1	123907-11601	SEAL, PIPE	4	4					
41	1	123472-59120	RETAINER, PIPE	2	2					
42	1	129150-59120	RETAINER, PIPE	1	1					
45	2	129150-59131	BOLT, M4X14	2	2					
47	1	129927-59810	PIPE ASSY, INJECTION	1	1					
48	1	129927-59820	PIPE ASSY, INJECTION	1	1					
49	1	129927-59830	PIPE ASSY, INJECTION	1	1					
50	1	129927-59840	PIPE ASSY, INJECTION	1	1					
51	1	26366-060002	NUT, M6	2	2					

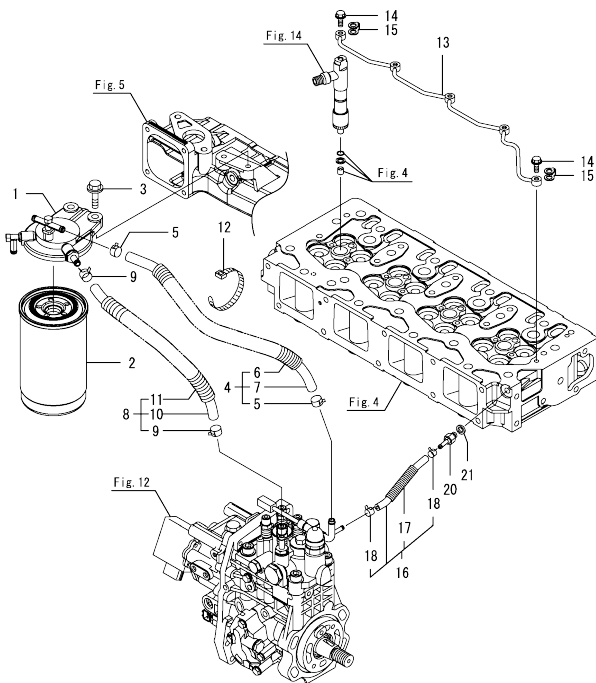
Remarks

(1)Spare parts.

Fig.15. FUEL PIPE

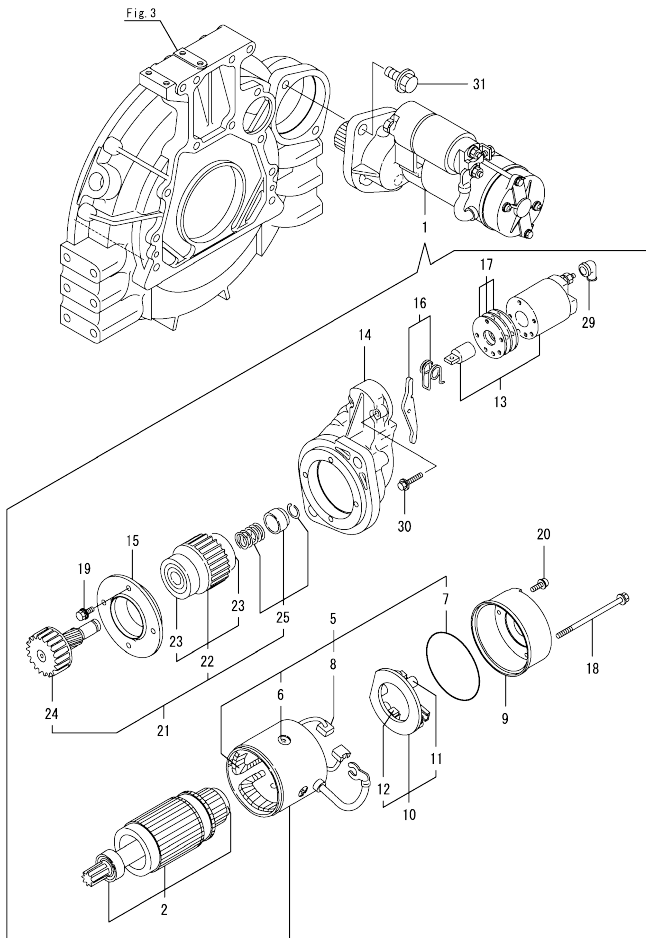
(A)=4TNV98-ZCVYU  
(B)=4TNV98-ZCVYUC  
(C)=

(D)=  
(E)=  
(F)=



No.	Lev.	Parts No.	Description	Q'ty						I	R
				(A)	(B)	(C)	(D)	(E)	(F)		
1	1	129004-55612	BRACKET, FILTER	1	1						
2	1	129907-55801	FILTER, FUEL	1	1						
3	1	26106-080302	BOLT, M8X 30 PLATED	2	2						
4	1	129457-59010	HOSE ASSY, FUEL	1	1						
5	2	124766-59050	CLAMP, HOSE 11.5	2	2						
6	2	129957-59120	TUBE, CORRUGATED 15	1	1						
7	2	105025-59750	HOSE, FUEL	1	1						
8	1	129961-59310	HOSE ASSY, FUEL	1	1						
9	2	124766-59050	CLAMP, HOSE 11.5	2	2						
10	2	129136-59110	HOSE, D13/7.5X270	1	1						
11	2	129961-59110	TUBE, CORRUGATED 15	1	1						
12	1	121750-59890	BAND, NYLON	1	1						
13	1	129907-59140	PIPE ASSY, RETURN	1	1						
14	1	123907-59540	BOLT, PIPE JOINT M6	5	5						
15	1	123907-59550	GASKET, FUEL RETURN	5	5						
16	1	129927-59550	HOSE ASSY, RETURN	1	1						
17	2	129263-49750	TUBE, CORRUGATED	1	1						
18	2	124722-59050	CLAMP, HOSE 9	2	2						
20	1	123907-59560	JOINT, HOSE	1	1						
21	1	22190-080002	WASHER, SEAL 8	1	1						

Fig.16. STARTER MOTOR

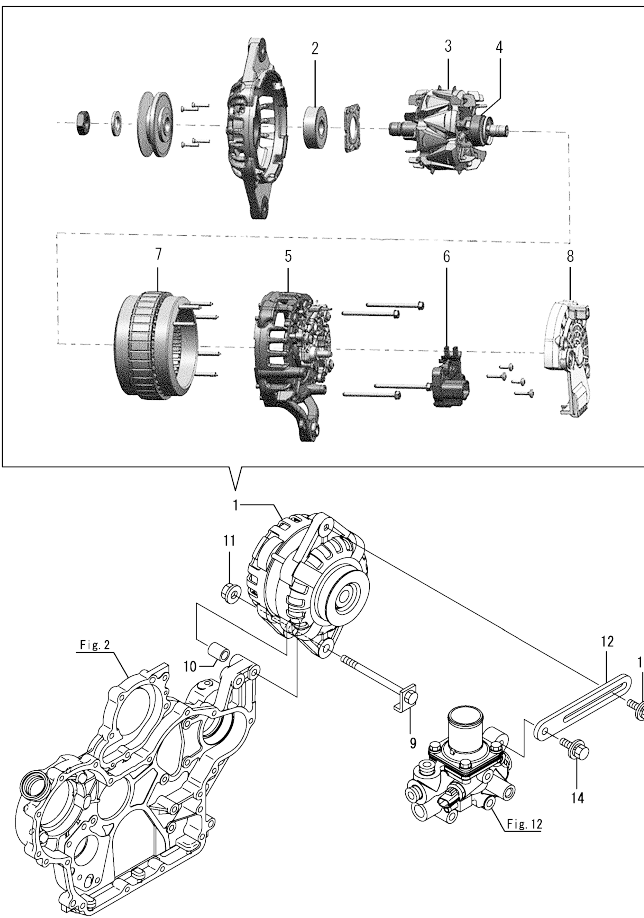


(A)=4TNV98-ZCVYU  
(B)=4TNV98-ZCVYUC  
(C)=

(D)=  
(E)=  
(F)=

No.	Lev.	Parts No.	Description	Q'ty						I	R
				(A)	(B)	(C)	(D)	(E)	(F)		
1	1	129940-77011	STARTER, 12V.3KW	1	1						
2	2	129940-77100	ARMATURE ASSY	1	1						
5	2	129940-77130	COIL ASSY, FIELD	1	1						
6	3	129940-77140	SCREW, CORE SET	4	4						
7	3	129940-77150	O-RING	1	1						
8	3	129940-77160	BRUSH, +	2	2						
9	2	129940-77171	COVER, REAR	1	1						
10	2	129940-77181	HOLDER ASSY, BRUSH	1	1						
11	3	129940-77190	SPRING, BRUSH	1	1						
12	3	129940-77200	BRUSH, -	2	2						
13	2	129940-77210	SWITCH ASSY, MAGNET	1	1						
14	2	129940-77221	CASE, GEAR	1	1						
15	2	129940-77230	RETAINER, BEARING	1	1						
16	2	129940-77240	LEVER SET, SHIFT	1	1						
17	2	129940-77250	COVER KIT, DUST	1	1						
18	2	129940-77260	BOLT, THROUGH	2	2						
19	2	129940-77270	BOLT, M6X20	4	4						
20	2	129940-77280	SCREW, M4	2	2						
21	2	123900-77510	CLUTCH ASSY, PINION	1	1						
22	3	123900-77520	CLUTCH ASSY	1	1						
23	4	X2240610100	BEARING, BALL	2	2						
24	3	123900-77540	SHAFT, PINION	1	1						
25	3	119131-77550	STOPPER SET, PINION	1	1						
29	2	121254-77810	COVER, TERMINAL M	1	1						
30	2	114371-79070	BOLT, M6	2	2						
31	1	26106-120252	BOLT, M12X 25 PLATED	2	2						

Fig.17. GENERATOR



(A)=4TNV98-ZCVYU  
(B)=4TNV98-ZCVYUC  
(C)=

(D)=  
(E)=  
(F)=

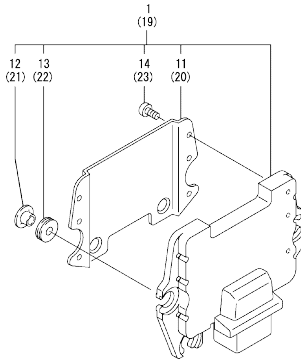
No.	Lev.	Parts No.	Description	Q'ty						
				(A)	(B)	(C)	(D)	(E)	(F)	
1	1	129908-77200	ALTERNATOR, 12V	1	1					
2	2	129908-77710	BEARING, BALL FR	1	1					
3	2	129908-77720	ROTOR	1	1					
4	2	129908-77730	BEARING, BALL RR	1	1					
5	2	129908-77740	RECTIFIER	1	1					
6	2	129908-77750	REGULATOR	1	1					
7	2	129908-77760	STATOR	1	1					
8	2	129908-77770	PROTECTOR	1	1					
9	1	129908-77220	BOLT, STOPPER M10	1	1					
10	1	129908-77360	PIECE, DISTANCE	1	1					
11	1	26306-100002	NUT, M10	1	1					
12	1	129988-77330	ADJUSTER, BELT	1	1					
13	1	119810-77340	BOLT, ADJUSTER L=30	1	1					
14	1	26014-080252	BOLT, M8X 25	1	1					

Fig.18. ELECTRONIC CONTROL UNIT(ECU)

(A)=4TNV98-ZCVYU  
 (B)=4TNV98-ZCVYUC  
 (C)=

(D)=  
 (E)=  
 (F)=

No.	Lev.	Parts No.	Description	Q'ty						I	R
				(A)	(B)	(C)	(D)	(E)	(F)		
1	1	129923-75210	ECU ASSY,4V98-ZCVYU	1	1						1
11	2	129927-77600	SHIELD, ECU	1	1						
12	2	129927-77680	COLLAR, CONTROLLER	3	3						
13	2	119578-91351	RUBBER, CONTROLLER	3	3						
14	2	22877-500080	SCREW, 5X 8	6	6						
19	1	129927-75901	ECU ASSY, SERVICE	1	1						2
20	2	129927-77600	SHIELD, ECU	1	1						
21	2	129927-77680	COLLAR, CONTROLLER	3	3						
22	2	119578-91351	RUBBER, CONTROLLER	3	3						
23	2	22877-500080	SCREW, 5X 8	6	6						



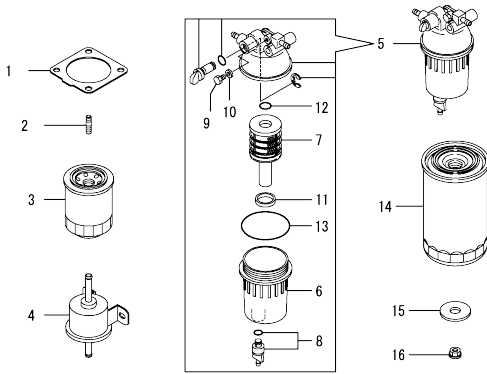
Remarks

- (1)Eco ECU  
 This part cannot be ordered.  
 Replace the part using a Service ECU with the proper engine information installed.
- (2)Service ECU  
 When replacing this part, it is necessary to update the software of the ECU using the designated service tool.  
 Please refer to the Service Manual for details.

Fig.19. ACCESSORY

(A)=4TNV98-ZCVYU  
(B)=4TNV98-ZCVYUC  
(C)=

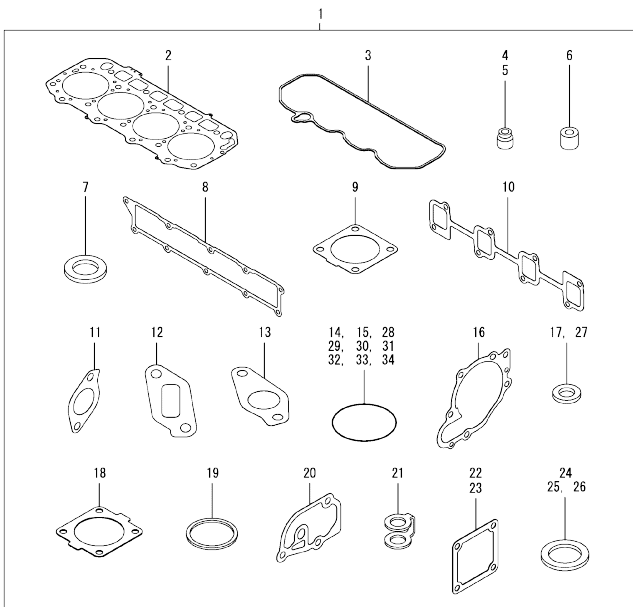
(D)=  
(E)=  
(F)=



No.	Lev.	Parts No.	Description	Q'ty					
				(A)	(B)	(C)	(D)	(E)	(F)
1	1	129930-13201	GASKET, SILENCER	1	1				
2	1	119131-18320	STUD, M8X22	4	4				
3	1	119005-35151	FILTER, OIL D80X100	1	1				
4	1	129612-52100	PUMP, FUEL FEED	1	1				
5	1	129242-55701	SEPARATOR ASSY,WATER	1	1				
6	2	129242-55720	CUP, SEPARATOR	1	1				
7	2	129242-55730	ELEMENT, FUEL FILTER	1	1				
8	2	129242-55740	PLUG, DRAIN	1	1				
9	2	129242-55750	VALVE, AIR VENT	1	1				
10	2	129242-55760	GASKET, PLUG	1	1				
11	2	129242-55770	FLOAT	1	1				
12	2	24311-000160	O-RING, 1AP16.0	1	1				
13	2	24321-000750	O-RING, 1AG75.0	1	1				
14	1	129907-55801	FILTER, FUEL	1	1				
15	1	129927-77690	WASHER, ECU	3	3				
16	1	26306-080002	NUT, M8	4	4				



Fig.20. GASKET SET



(A)=4TNV98-ZCVYU  
(B)=4TNV98-ZCVYUC  
(C)=

(D)=  
(E)=  
(F)=

No.	Lev.	Parts No.	Description	Q'ty						I	R
				(A)	(B)	(C)	(D)	(E)	(F)		
1	1	129922-92610	GASKET SET	1	1						1
2	2	129907-01331	GASKET, HEAD	1	1						
3	2	129933-11310	GASKET, BONNET	1	1						
4	2	119803-11340	SEAL, VALVE STEM	8	8						
5	2	124160-11340	SEAL, VALVE STEM	8	8						
6	2	119802-11870	PROTECTOR, NOZZLE	4	4						
7	2	119625-11880	SEAT, NOZZLE	4	4						
8	2	129907-12110	GASKET, MANIFOLD	1	1						
9	2	129930-13201	GASKET, SILENCER	2	2						
10	2	129900-13251	GASKET, MANIFOLD	1	1						
11	2	129927-13810	GASKET, EGR PIPE	1	1						
12	2	129927-13910	GASKET, EGR	1	1						
13	2	129927-13920	GASKET, EGR	1	1						
14	2	129900-32030	O-RING, P20	2	2						
15	2	129900-32040	O-RING, P14	1	1						
16	2	129900-42020	GASKET, WATER PUMP	1	1						
17	2	124465-44950	GASKET, 16	2	2						
18	2	121850-49540	GASKET, THERMOSTAT	1	1						
19	2	121850-49550	GASKET, THERMOSTAT	1	1						
20	2	129900-49870	GASKET, THERMOSTAT	1	1						
21	2	123907-59550	GASKET, FUEL RETURN	5	5						
22	2	119129-77020	GASKET, AIR HEATER	2	2						
23	2	121850-77021	GASKET, AIR HEATER	1	1						
24	2	22190-080002	WASHER, SEAL 8	7	7						
25	2	22190-120002	WASHER, SEAL 12	1	1						
26	2	22190-220002	WASHER, SEAL 22	1	1						
27	2	23414-080000	GASKET, 8X1.0	1	1						
28	2	24311-000070	O-RING, 1AP7.0	1	1						
29	2	24311-000120	O-RING, 1AP12.0	8	8						
30	2	24311-000320	O-RING, 1AP32.0	2	2						
31	2	24321-000600	O-RING, 1AG60.0	1	1						
32	2	24341-000240	O-RING, 1AS24.0	1	1						
33	2	24341-000530	O-RING, 1AS53.0	1	1						
34	2	24351-030750	O-RING, 1A3075	1	1						

Remarks

(1)Optional parts.

## Parts No. Index

Parts No.	Fig. No.	Ref. No.
105025-59750	15	7
114250-53080	14	2
114250-53120	14	6
114250-53130	14	7
114250-53140	14	8
114250-53210	14	12
114371-79070	16	30
119000-35140	10	3
119005-35151	10	24
	19	3
119005-77051	5	9
119129-77020	5	7
	20	22
119129-77520	5	10
119131-18320	6	3
	19	2
119131-77550	16	25
119141-44760	11	18
119578-91351	18	13
	22	
119593-11301	4	27
119620-01750	3	5
119620-11180	4	12
119625-11880	4	23
	20	7
119640-01640	3	10
119640-61400	4	58
119761-39450	10	12
119802-11870	4	22
	20	6
119802-51680	12	68
119802-51690	12	69
119803-11340	4	13
	20	4
119803-53400	14	13
119810-77340	17	13
119852-51630	12	73
119852-51640	12	74
119852-51650	12	76
119934-59910	12	134
120130-22301	8	21
	9	21
121027-11743	2	31
121254-77810	16	29
121450-42450	11	37
121520-34810	10	1
121750-59890	15	12
121850-21130	8	11
	9	11
121850-21290	8	4

Parts No.	Fig. No.	Ref. No.
121850-21290	9	4
121850-21920	8	5
	9	5
121850-49540	11	24
	20	18
121850-49550	11	26
	20	19
121850-49811	11	27
121850-77021	5	8
	20	23
123472-59120	14	41
123900-25060	7	9
123900-77510	16	21
123900-77520	16	22
123900-77540	16	24
123907-03100	4	52
123907-03110	4	53
123907-03120	4	54
123907-03140	4	55
123907-11280	4	32
123907-11550	4	1
123907-11601	14	40
123907-11820	4	19
123907-11830	4	18
123907-39500	10	15
123907-59540	15	14
123907-59550	15	15
	20	21
123907-59560	15	20
124160-01751	2	25
	4	47
124160-11340	4	14
	20	5
124160-11360	4	63
124465-44950	11	38
	20	17
124722-59050	15	18
124766-59050	15	5
	9	
129004-55612	15	1
129005-59830	10	17
129008-51920	12	12
129008-61301	13	26
129100-01580	2	1
	3	1
129136-59110	15	10
129150-02450	7	4
129150-11230	4	35
	39	
129150-11750	4	17

Parts No.	Fig. No.	Ref. No.
129150-11750	4	36
		40
129150-14200	7	1
129150-59120	14	42
129150-59131	14	45
129242-55701	19	5
129242-55720	19	6
129242-55730	19	7
129242-55740	19	8
129242-55750	19	9
129242-55760	19	10
129242-55770	19	11
129263-13210	6	5
129263-49750	15	17
129263-77941	12	127
129418-18320	6	4
129457-59010	15	4
129612-52100	19	4
129657-51590	12	63
129657-51600	12	64
129900-01200	1	27
129900-01250	1	4
129900-01620	3	2
129900-01850	2	36
129900-01870	2	37
129900-02020	1	6
129900-02410	1	9
129900-13251	6	6
	20	10
129900-14100	7	6
129900-21200	8	3
	9	3
129900-21600	8	14
	9	14
129900-23001	8	23
	9	23
129900-23200	8	26
	9	26
129900-23911	8	29
	9	29
129900-32001	2	4
129900-32030	2	16
	10	5
	20	14
129900-32040	2	17
	20	15
129900-42020	11	11
	20	16
129900-42450	11	14
129900-49870	11	32

Parts No.	Fig. No.	Ref. No.
129900-49870	20	20
129902-21000	8	1
	9	1
129906-34851	10	2
129906-51580	12	61
129907-01331	1	28
	20	2
129907-03011	4	49
129907-03061	4	50
129907-03070	4	51
129907-07900	4	66
129907-11100	4	9
129907-11110	4	10
129907-11120	4	11
129907-11250	4	29
129907-11260	4	30
129907-11270	4	31
129907-11341	4	28
129907-11510	4	15
129907-11650	4	33
129907-11660	4	37
129907-11800	4	68
129907-11920	4	41
129907-11950	4	25
129907-11960	4	24
129907-12110	5	1
	20	8
129907-14400	7	2
129907-25900	7	15
129907-51560	12	58
129907-55801	15	2
	19	14
129907-59140	15	13
129908-77200	17	1
129908-77220	17	9
129908-77360	17	10
129908-77710	17	2
129908-77720	17	3
129908-77730	17	4
129908-77740	17	5
129908-77750	17	6
129908-77760	17	7
129916-01710	3	9
129916-01790	3	8
129916-01800	2	35
129916-21590	8	12
	9	12
129916-21610	8	7
	9	7

## Parts No. Index

Parts No.	Fig. No.	Ref. No.
129916-21680	8	8
	9	8
129916-49530	11	23
129922-92610	20	1
129923-75210	18	1
129926-22080	8	15
129927-02340	1	32
129927-02930	1	24
129927-02940	1	35
129927-11320	4	48
129927-11700	4	2
129927-12100	5	3
129927-12150	5	2
129927-13101	6	2
129927-13150	6	1
129927-13800	6	9
129927-13810	6	10
	20	11
129927-13910	6	14
	20	12
129927-13920	6	15
	20	13
129927-22050	9	17
129927-22080	9	15
129927-23600	8	27
		30
	9	27
129927-23610	9	30
129927-25100	7	10
129927-25920	7	16
129927-39060	10	13
129927-42002	11	1
129927-42140	2	18
129927-44900	11	21
129927-49610	11	39
129927-49620	11	43
129927-49800	11	20
129927-51250	12	141
129927-51390	12	25
129927-51650	12	125
129927-51660	12	126
129927-51670	12	129
129927-53200	14	9
129927-59550	15	16
129927-59810	14	47
129927-59820	14	48
129927-59830	14	49
129927-59840	14	50
129927-75901	18	19
129927-77600	18	11

Parts No.	Fig. No.	Ref. No.
129927-77600	18	20
129927-77680	18	12
		21
129927-77690	19	15
129928-13900	6	13
129928-51900	12	11
129930-13201	19	1
	20	9
129932-14580	7	3
129933-11310	4	57
	20	3
129940-77011	16	1
129940-77100	16	2
129940-77130	16	5
129940-77140	16	6
129940-77150	16	7
129940-77160	16	8
129940-77171	16	9
129940-77181	16	10
129940-77190	16	11
129940-77200	16	12
129940-77210	16	13
129940-77221	16	14
129940-77230	16	15
129940-77240	16	16
129940-77250	16	17
129940-77260	16	18
129940-77270	16	19
129940-77280	16	20
129944-01500	2	3
129951-01740	2	27
129953-25300	7	14
129953-35000	10	6
129953-44710	11	16
129957-59120	15	6
129960-21930	8	9
	9	9
129960-21940	8	10
	9	10
129961-59110	15	11
129961-59310	15	8
129985-44710	11	17
129988-77330	17	12
129E00-13650	6	7
129E00-22050	8	17
129E00-22900	8	32
129E00-22950	8	34
144626-51090	12	13
158552-51571	12	59
158552-51580	12	62

Parts No.	Fig. No.	Ref. No.
158552-51670	12	130
158552-51781	12	101
158552-52100	12	132
158552-52311	12	110
158552-52400	12	111
158552-52500	12	133
158553-51670	12	67
158553-51680	12	79
158553-51930	12	104
	13	2
158553-61780	13	27
158557-51570	12	60
158557-61720	13	16
158563-51150	7	17
158563-51281	12	23
		24
158563-51330	12	35
158600-51270	12	22
158601-51550	12	57
158601-51650	12	128
158601-51770	12	100
158601-51790	12	102
171051-01921	1	5
171056-49120	11	36
175339-79700	4	59
22190-080002	10	18
		20
		22
	15	21
	20	24
22190-120002	11	29
	12	105
		112
		135
	13	28
	20	25
22190-180002	12	106
22190-220002	3	12
	20	26
22217-050000	12	136
22217-180000	12	113
22252-000300	8	22
	9	22
22312-050140	12	114
22351-050010	12	115
22351-060012	1	11
22512-070140	7	7
	8	6
	9	6
22857-500100	4	60

Parts No.	Fig. No.	Ref. No.
22857-500100	4	61
22877-500080	18	14
		23
23080-012000	11	42
		46
23414-080000	11	33
	20	27
23857-030000	10	19
23875-030000	11	30
23876-020000	4	6
23876-030000	1	12
		13
		14
	4	7
24311-000070	2	19
	12	116
	20	28
24311-000120	4	26
	20	29
	20	29
24311-000160	19	12
24311-000320	2	26
		32
	4	65
	20	30
24321-000600	20	31
24321-000750	19	13
24341-000240	20	32
24341-000480	13	22
24341-000530	20	33
24351-030750	2	20
	20	34
24356-190200	12	70
		117
24356-240210	12	118
24372-000150	12	71
25152-004300	11	15
26014-080252	17	14
26106-060102	12	119
26106-060122	4	62
	12	137
26106-060162	13	23
26106-060202	11	31
26106-060252	13	29
26106-060302	11	12
26106-060352	12	120
26106-080122	3	13
	10	11
		21
		23

## Parts No. Index

Parts No.	Fig. No.	Ref. No.
26106-080122	11	34
26106-080142	7	8
26106-080162	2	21
		38
	4	67
26106-080202	2	22
		28
	12	142
26106-080252	13	24
26106-080302	12	143
	15	3
26106-080402	2	39
	4	43
	5	11
26106-080452	2	23
		29
	5	5
26106-080552	7	13
	11	13
		19
26106-080602	4	44
		45
	11	35
26106-080702	2	40
26106-080752	2	30
26106-080802	5	6
26106-080902	5	12
26106-100302	6	11
		16
26106-100952	6	17
26106-120252	16	31
26206-100352	3	6
26206-100702	3	7
26216-060202	5	4
26216-100302	2	15
26226-080222	4	42
26306-080002	4	46
	6	8
		12
	19	16
26306-100002	2	24
	17	11
26366-060002	14	51
26450-100452	12	121
26716-050002	12	138
26776-180002	12	122
27241-160000	12	139
27241-300000	1	10
27241-400000	4	8
27310-070001	4	20

Parts No.	Fig. No.	Ref. No.
729906-01550	2	33
729923-51360	12	1
729927-01560	1	1
729927-02800	1	29
729927-22900	9	32
729927-22950	9	34
729927-53200	14	1
X2240610100	16	23

Parts No.	Fig. No.	Ref. No.
-----------	----------	----------

Parts No.	Fig. No.	Ref. No.
-----------	----------	----------