

0CD11-M12800EN

P R E F A C E

1. This parts catalog is the 1st edition of 4TNV98-ZNRKA for KAWASAKI.

Pub.No. : 0CD11-G12800
Published : August, 2010

2. Model name

Engine model	Vehicle	Vehicle made by
4TNV98-ZNRKA	-	KAWASAKI

Directions for the Parts Catalog.

1. The parts stipulated in this Parts Catalog are not necessarily standard equipped parts.
2. Parts may change without prior notice.
3. The following is an example of the Parts Catalog format.

REF.	LEV.	PARTS NO.	DESCRIPTION	Q'TY						I	R
				(A)	(B)	(C)	(D)	(E)	(F)		
1	1	729595-51390	FUEL INJECTION PUMP	1	1	1	1	1			1
1-1	1	729595-51391	FUEL INJECTION PUMP	1	1	1	1	1		N	1
		(A=E00185) (B=E00200)									
3	2	26022-060162	SCREW M 6X 16	9	9	9	9	9			
3-1	2	26022-060162	SCREW M 6X 16	4	4	4	4	4		K	
		(A=E00156) (B=E00156) (C=E00156) (D=E00156) (E=E00156)									
4	2	129470-51040	CAMSHAFT	1	1	1	1	1			
5	2	122710-51050	BEARING, ROLLER	2	2	2	2	2			
6	2	129470-51060	RETAINER	1	1	1	1	1			

Remarks
(1) BOOST COMPEMSATOR TYPE. OPTIONAL PART, TO E00155,(4JH-DT, 4JH-DTZ

① Ref. No.

The Ref. No. listed may not be in accordance with the illustration Ref. No.

(Ex.) Illustration No.

List Ref No.

1 1 (Before change) → 1-1 (After change)

For interchangeable symbols N, R and K, illustrations for new parts may be abbreviated.

② Lev. (Level)

Level indication

The numbers below indicate the level of relativity towards the main part.

1 ---- Main parts (Assembly parts)

2 ---- Sub component included in " 1 ".

3 ---- Sub component included in " 2 ".

Note) Parts that are not for sale are partially illustrated but not listed.

③ Interchangeability Mark

When a part change takes place, one of the following interchangeability symbols is indicated beside the part.

Symbol	Interchangeability	Contents note
N	Old $\begin{matrix} \leftarrow \text{Yes} \\ \text{No} \rightarrow \end{matrix}$ New	New Part is interchangeable for Old Part but Old Part is not interchangeable for New Part.
Q	Old $\begin{matrix} \leftarrow \text{No} \\ \text{Yes} \rightarrow \end{matrix}$ New	New Part is not interchangeable for Old Part but Old Part is interchangeable for New Part.
R	Old $\begin{matrix} \leftarrow \text{Yes} \\ \text{Yes} \rightarrow \end{matrix}$ New	New/ Old Parts are both interchangeable.
S	Old $\begin{matrix} \leftarrow \text{No} \\ \text{No} \rightarrow \end{matrix}$ New	New/ Old Parts are both not interchangeable.
W		Part newly added.
Z		Part discontinued.
F		Not interchangeable by a single part but interchangeable together with related parts.
K		Changes only for used parts quantities.

④ Effective Machine No.

When a part changes, the effective Machine No. will be indicated in the (A)-(F) column.

Product Symbol	Product No.	Product Symbol	Product No.
C	Clutch No. Compressor No.	F	Machine No. (Agricultural Equip.)
D	Drive No.	M	Machine No.
E	Engine No.		

Note 1) A date may follow the symbol. (Ex.) 1996.01

Note 2) "XXXXX" and "ZZZZZ" are for parts that could not be predicted or for engine models that could not be identified.

Note 3) (A=E00185) is the E (Engine Serial Number) for the column (A) model (in this case 4JH-DT) after the parts design change.

⑤ Remarks Mark

Figures or alphabets (symbols) are entered in the remarks column.

The comments (remarks) on parts that are indicated at the bottom of the illustration are the same symbols as those stated above.

Contents

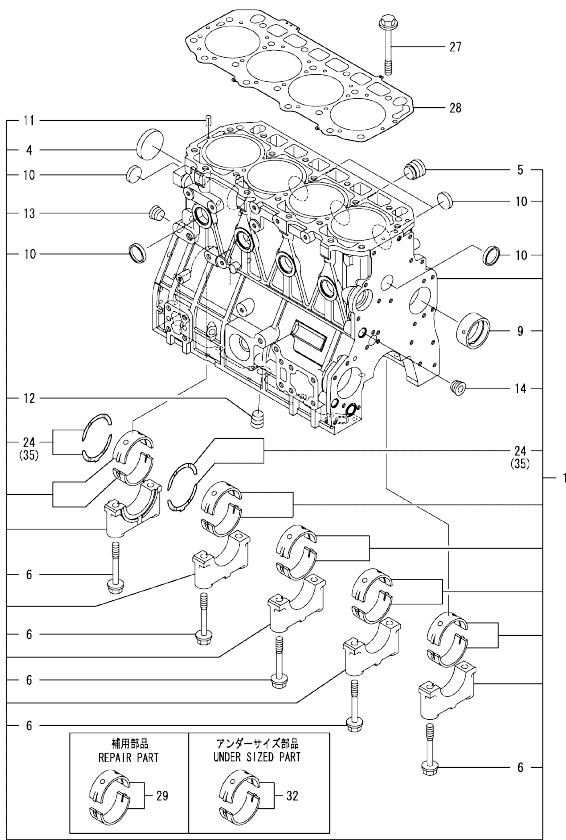
OCD11-M12800

Fig. No.	Fig. Name	Fig. No.	Fig. Name
4	TNV98-ZNRKA		
1.	CYLINDER BLOCK		
2.	GEAR HOUSING		
3.	FLYWHEEL HOUSING & OIL SUMP		
4.	CYLINDER HEAD & BONNET		
5.	SUCTION MANIFOLD & AIR CLEANER		
6.	EXHAUST MANIFOLD & SILENCER		
7.	CAMSHAFT & DRIVING GEAR		
8.	CRANKSHAFT & PISTON		
9.	HYDRAULIC PUMP		
10.	LUB.OIL SYSTEM		
11.	COOLING WATER SYSTEM		
12.	FUEL INJECTION PUMP		
13.	GOVERNOR		
14.	FUEL INJECTION VALVE		
15.	FUEL LINE		
16.	STARTER MOTOR		
17.	GENERATOR		
18.	ELECTRONIC CONTROL UNIT(ECU)		
19.	ELECTRIC PARTS		
20.	ACCESSORY		

Fig.1. CYLINDER BLOCK

(A)=4TNV98-ZNRKA
(B)=
(C)=

(D)=
(E)=
(F)=

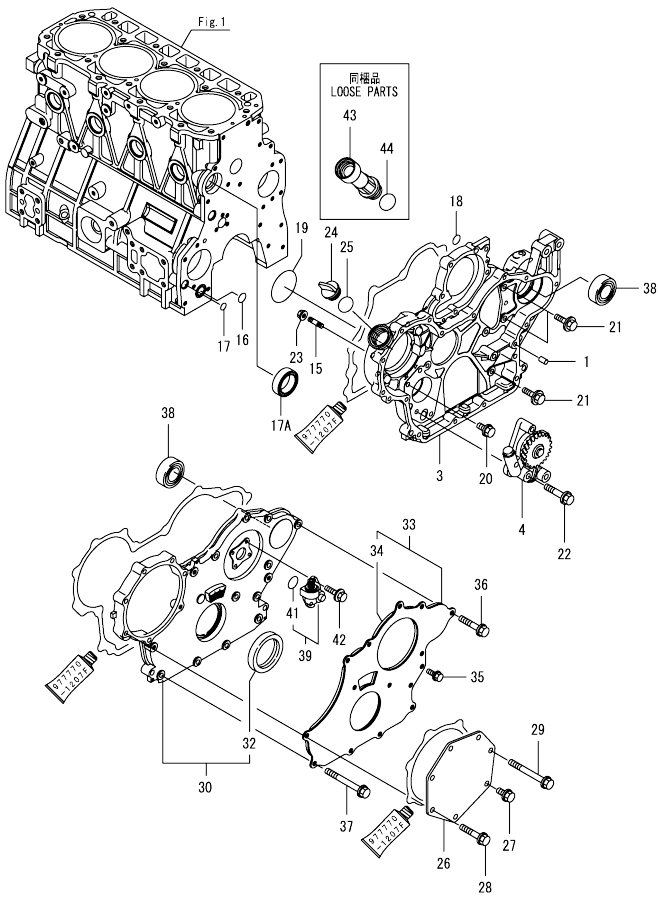


No.	Lev.	Parts No.	Description	Q'ty						I	R
				(A)	(B)	(C)	(D)	(E)	(F)		
1	1	729927-01560	BLOCK ASSY, CYLINDER	1							
4	2	129900-01250	PLUG, DISH TYPE 55	1							
5	2	171051-01921	PLUG, NPTF1	1							
6	2	129900-02020	BOLT, METAL CAP	10							
9	2	129900-02410	BUSH, CAMSHAFT	1							
10	2	27241-300000	PLUG 30	8							
11	2	22351-060012	PIN, SPRING 6.0X12	2							
12	2	23876-030000	PLUG, R03	1							
13	2	23876-030000	PLUG, R03	1							
14	2	23876-030000	PLUG, R03	1							
24	2	129900-02931	BEARING ASSY, THRUST	2							
27	1	129900-01200	BOLT, CYLINDER HEAD	18							
28	1	129907-01331	GASKET, HEAD	1							
29	1	729900-02801	BEARING, MAIN	5							1
32	1	129900-02341	BEARING ASSY, MAIN	5							2
35	1	129900-02941	BEARING, THRUST 0.25	2							3

Remarks

- (1)Repair part.
- (2)Under-sized(U.S.=0.25)part.
- (3)Over-sized(O.S.=0.25)part.

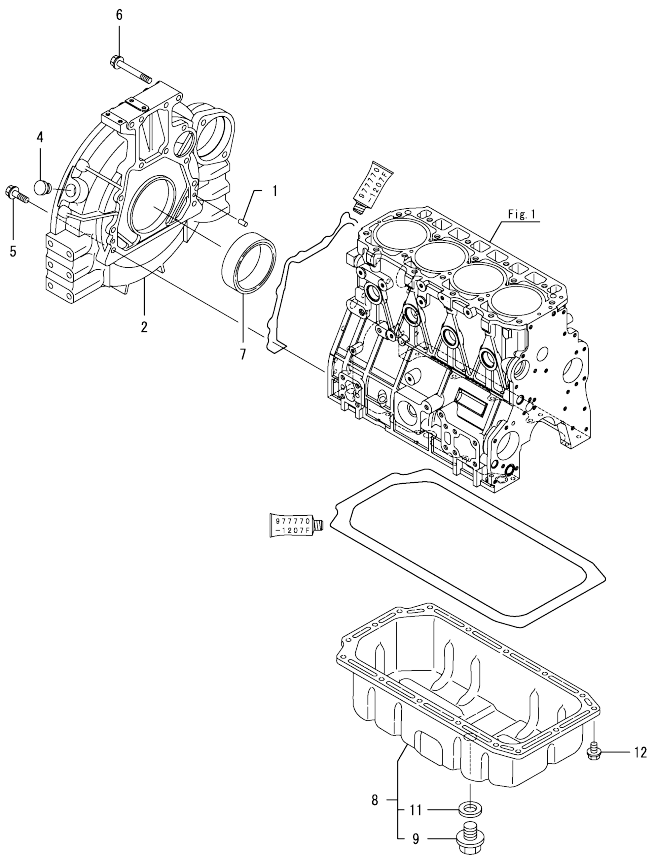
Fig.2. GEAR HOUSING



No.	Lev.	Parts No.	Description	Qty						I	R
				(A)	(B)	(C)	(D)	(E)	(F)		
1	1	129100-01580	PIN, PARALLEL 8X16	4							
3	1	129907-01500	CASE, GEAR	1							
4	1	129900-32001	PUMP ASSY, OIL	1							
15	1	26216-100302	STUD, M10X 30	4							
16	1	129900-32030	O-RING, P20	1							
17	1	129900-32040	O-RING, P14	1							
17A	1	129927-42140	GASKET, PUMP OUTLET	1							W
(A=ET7553)											
18	1	24311-000070	O-RING, 1AP7.0	1							
19	1	24351-030750	O-RING, 1A3075	1							
20	1	26106-080162	BOLT, M8X 16 PLATED	1							
21	1	26106-080202	BOLT, M8X 20 PLATED	3							
22	1	26106-080452	BOLT, M8X 45 PLATED	3							
23	1	26306-100002	NUT, M10	4							
24	1	124160-01751	CAP, FILLER	1							
25	1	24311-000320	O-RING, 1AP32.0	1							
26	1	129951-01740	COVER	1							
27	1	26106-080202	BOLT, M8X 20 PLATED	1							
28	1	26106-080452	BOLT, M8X 45 PLATED	5							
29	1	26106-080752	BOLT, M8X 75 PLATED	1							
30	1	729907-01590	COVER ASSY, GEAR CASE	1							
32	2	129916-01800	SEAL, OIL	1							
33	1	129900-01850	COVER ASSY, GEAR CASE	1							
34	2	129900-01870	SPONGE, GEAR CASE	1							
35	1	26106-080162	BOLT, M8X 16 PLATED	3							
36	1	26106-080402	BOLT, M8X 40 PLATED	5							
37	1	26106-080702	BOLT, M8X 70 PLATED	6							
38	1	129900-26250	BEARING, BALL 6206C3	2							
39	1	129150-91400	GEAR	1							
41	2	24341-000240	O-RING, 1AS24.0	1							
42	1	26106-060162	BOLT, M6X 16 PLATED	2							
43	1	121027-11743	PIPE	1							
44	1	24311-000320	O-RING, 1AP32.0	1							

N:Old $\frac{100}{100}$ New, Q:Old $\frac{100}{100}$ New, R:Old $\frac{100}{100}$ New, S:Old $\frac{100}{100}$ New, W:Add, Z:Discontinued, F:Interchangeable by set, K:Qty Change
 Copyright (C) YANMAR GLOBAL CS CO., LTD. All Rights Reserved.

Fig.3. FLYWHEEL HOUSING & OIL SUMP

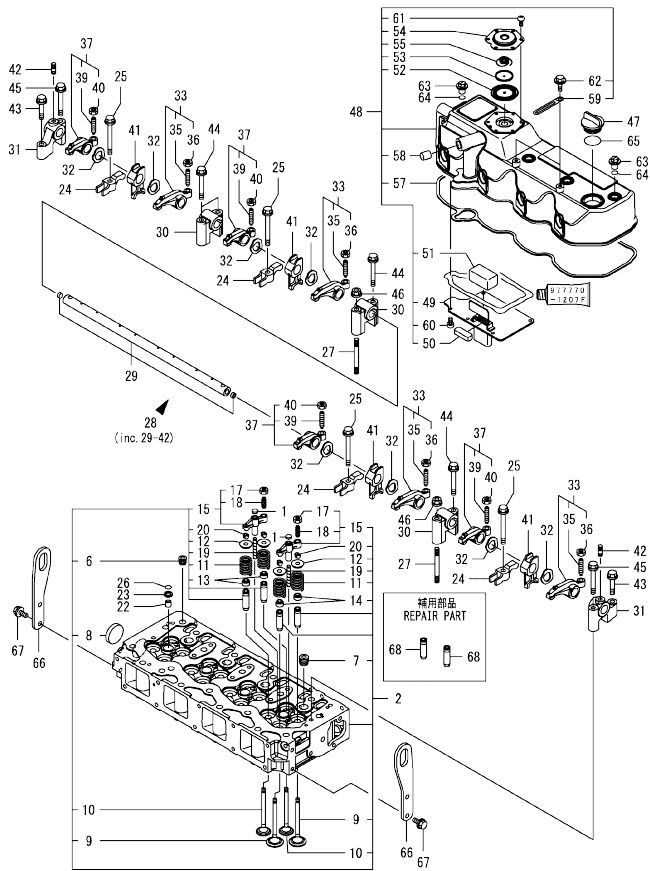


(A)=4TNV98-ZNRKA
(B)=
(C)=

(D)=
(E)=
(F)=

No.	Lev.	Parts No.	Description	Q'ty						I	R
				(A)	(B)	(C)	(D)	(E)	(F)		
1	1	129100-01580	PIN, PARALLEL 8X16	2							
2	1	129900-01620	HOUSING, FLYWHEEL	1							
4	1	119620-01750	CAP	1							
5	1	26206-100352	BOLT, M10X 35 PLATED	9							
6	1	26206-100702	BOLT, M10X 70 PLATED	4							
7	1	129916-01790	SEAL, D115/95XT11	1							
8	1	129930-01710	OIL PAN ASSY	1							
9	2	119640-01640	PLUG, DRAIN M22	1							
11	2	22190-220002	WASHER, SEAL 22	1							
12	1	26106-080122	BOLT, M8X 12 PLATED	16							

Fig.4. CYLINDER HEAD & BONNET



(A)=4TNV98-ZNRKA
(B)=
(C)=

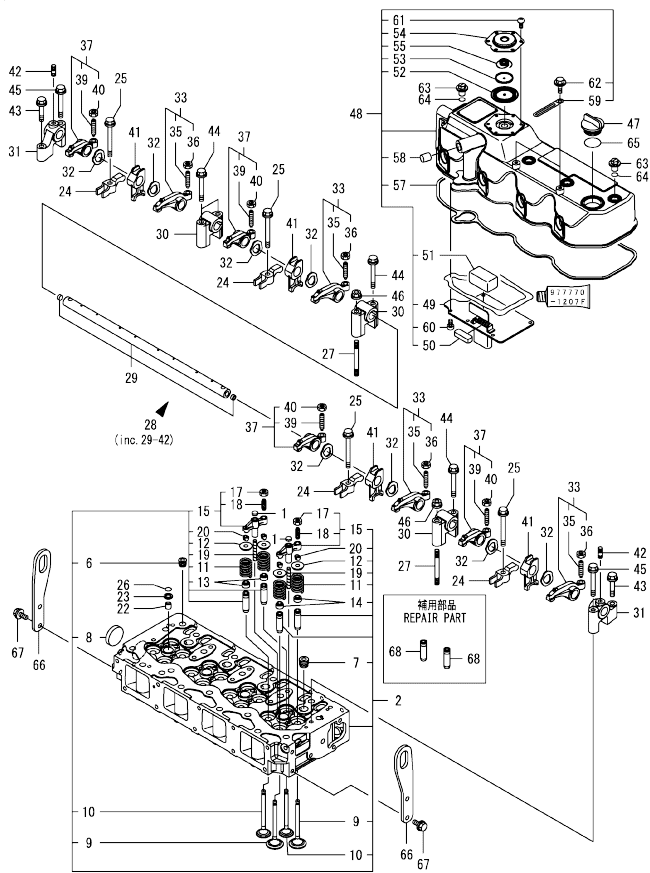
(D)=
(E)=
(F)=

No.	Lev.	Parts No.	Description	Q'ty						I	R
				(A)	(B)	(C)	(D)	(E)	(F)		
1	1	123907-11550	SEAT, VALVE BRIDGE	8							
2	1	129927-11700	HEAD ASSY, CYLINDER	1							
6	2	23876-020000	PLUG, R02	1							
7	2	23876-030000	PLUG, R03	4							
8	2	27241-400000	PLUG, 40	1							
9	2	129907-11100	VALVE, SUCTION	8							
10	2	129907-11110	VALVE, EXHAUST	8							
11	2	129907-11120	SPRING, VALVE	16							
12	2	119620-11180	RETAINER, SPRING	16							
13	2	119803-11340	SEAL, VALVE STEM	8							
14	2	124160-11340	SEAL, VALVE STEM	8							
15	2	129907-11510	BRIDGE ASSY, VALVE	8							
17	3	129150-11750	NUT, M8	8							
18	3	123907-11830	ADJUSTER	8							
19	2	123907-11820	GUIDE, BRIDGE	8							
20	2	27310-070001	COTTER, 7	16							
22	1	119802-11870	PROTECTOR, NOZZLE	4							
23	1	119625-11880	SEAT, NOZZLE	4							
24	1	129907-11910	RETAINER, NOZZLE	4							
25	1	129907-11950	BOLT, M8X75	4							
26	1	24311-000120	O-RING, 1AP12.0	4							
27	1	119593-11301	BOLT, STUD M8X80	2							
28	1	129907-11341	SHAFT ASSY, ROCKER	1							
29	2	129907-11250	SHAFT, ROCKER ARM	1							
30	2	129907-11260	SUPPORT, ROCKER ARM	3							
31	2	129907-11270	SUPPORT, ROCKER ARM	2							
32	2	123907-11280	WASHER	8							
33	2	129907-11650	ARM ASSY, ROCKER	4							
35	3	129150-11230	SCREW, VALVE ADJUST	4							
36	3	129150-11750	NUT, M8	4							
37	2	129907-11660	ARM ASSY, ROCKER	4							
39	3	129150-11230	SCREW, VALVE ADJUST	4							
40	3	129150-11750	NUT, M8	4							
41	2	129907-11920	RETAINER, NOZZLE	4							
42	2	26226-080222	STUD, M8X 22	2							
43	1	26106-080402	BOLT, M8X 40 PLATED	2							
44	1	26106-080602	BOLT, M8X 60 PLATED	4							
45	1	26106-080602	BOLT, M8X 60 PLATED	2							
46	1	26306-080002	NUT, M8	2							
47	1	124160-01751	CAP, FILLER	1							
48	1	129927-11320	BONNET ASSY, HEAD	1							
49	2	129907-03011	PLATE, BAFFLE	1							
50	2	129907-03061	BAFFLE, BREATHER	1							
51	2	129907-03070	BAFFLE, BREATHER	1							
52	2	123907-03100	DIAPHRAGM	1							
53	2	123907-03110	PLATE	1							
54	2	123907-03120	PLATE, BREATHER	1							
55	2	123907-03140	SPRING, DIAPHRAGM	1							
57	2	129933-11310	GASKET, BONNET	1							
58	2	119640-61400	PLUG	1							
59	2	175339-79700	CLIP	2							

Remarks
(1)Repair part.

N:Old $\frac{New}{Old}$ New, Q:Old $\frac{New}{Old}$ New, R:Old $\frac{New}{Old}$ New, S:Old $\frac{New}{Old}$ New, W:Add, Z:Discontinued, F:Interchangeable by set, K:Q'ty Change
++ CONTINUE ++
Copyright (C) YANMAR GLOBAL CS CO., LTD. All Rights Reserved.

Fig.4. CYLINDER HEAD & BONNET



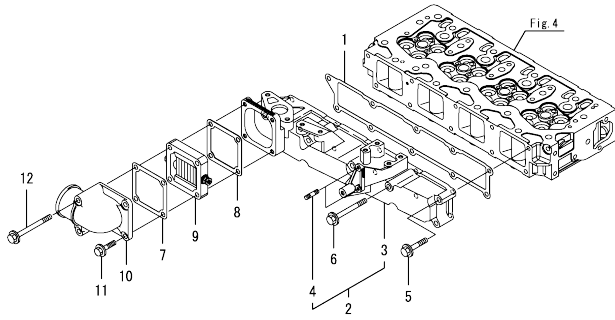
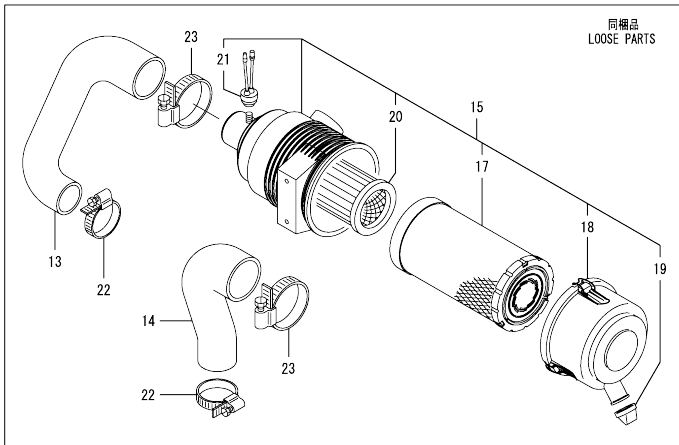
(A)=4TNV98-ZNRKA
(B)=
(C)=

(D)=
(E)=
(F)=

No.	Lev.	Parts No.	Description	Q'ty						I	R
				(A)	(B)	(C)	(D)	(E)	(F)		
60	2	22857-500100	SCREW, 5X10	6							
61	2	22857-500100	SCREW, 5X10	6							
62	2	26106-060122	BOLT, M6X 12 PLATED	2							
63	1	124160-11360	KNOB	4							
64	1	24311-000120	O-RING, 1AP12.0	4							
65	1	24311-000320	O-RING, 1AP32.0	1							
66	1	129907-07900	LIFTER, ENGINE	2							
67	1	26106-080162	BOLT, M8X 16 PLATED	4							
68	1	129907-11800	GUIDE, VALVE	16							1

Remarks
(1)Repair part.

Fig.5. SUCTION MANIFOLD & AIR CLEANER



(A)=4TNV98-ZNRKA
(B)=
(C)=

(D)=
(E)=
(F)=

No.	Lev.	Parts No.	Description	Q'ty						I	R
				(A)	(B)	(C)	(D)	(E)	(F)		
1	1	129907-12110	GASKET, MANIFOLD	1							
2	1	129927-12150	MANIFOLD ASSY,INTAKE	1							
3	2	129927-12100	MANIFOLD, AIR INTAKE	1							
4	2	26216-060202	STUD, M6X 20	2							
5	1	26106-080452	BOLT, M8X 45 PLATED	6							
6	1	26106-080802	BOLT, M8X 80 PLATED	4							
7	1	119129-77020	GASKET	1							
8	1	121850-77021	GASKET, AIR HEATER	1							
9	1	119005-77051	HEATER, AIR	1							
10	1	119129-77520	BEND	1							
11	1	26106-080402	BOLT, M8X 40 PLATED	2							
12	1	26106-080902	BOLT, M8X 90 PLATED	2							
13	1	129927-12060	HOSE, AIR INTAKE	1							
14	1	129944-12230	PIPE, AIR INTAKE	1							
15	1	129935-12500	AIR CLEANER ASSY	1							
17	2	129935-12520	ELEMENT, OUTER	1							
18	2	119160-12530	COVER ASSY	1							
19	2	119160-12540	VALVE	1							
20	2	119160-12570	ELEMENT, INNER	1							
21	2	119140-12680	INDICATOR, CLEANER	1							
22	1	23000-080000	CLAMP, 80	2							
23	1	23000-090000	CLAMP, 90	2							

Fig.6. EXHAUST MANIFOLD & SILENCER

(A)=4TNV98-ZNRKA
(B)=
(C)=

(D)=
(E)=
(F)=

No.	Lev.	Parts No.	Description	Q'ty						I	R
				(A)	(B)	(C)	(D)	(E)	(F)		
1	1	129927-13150	MANIFOLD ASSY, EXH.	1							
2	2	129927-13100	MANIFOLD, EXHAUST	1							
3	2	119131-18320	BOLT, STUD M8X22	4							
4	2	129418-18320	BOLT, STUD M8X20	2							
5	1	129263-13210	BOLT, STUD M8X90	2							
6	1	129900-13251	GASKET, EXH.MANIFOLD	1							
7	1	119802-13680	BOLT, M8X90 10.9T	6							
8	1	26306-080002	NUT, M8	2							
9	1	129927-13800	PIPE ASSY, EGR	1							
10	1	129927-13810	GASKET	1							
11	1	26106-100302	BOLT, M10X 30 PLATED	2							
12	1	26306-080002	NUT, M8	2							
13	1	129928-13900	VALVE, EGR	1							
14	1	129927-13910	GASKET, EGR	1							
15	1	129927-13920	GASKET, EGR	1							
16	1	26106-100302	BOLT, M10X 30 PLATED	1							
17	1	26106-100952	BOLT, M10X 95 PLATED	1							
18	1	129400-13201	GASKET, SILENCER	1							
19	1	129930-13201	GASKET, SILENCER	1							
20	1	129907-13500	SILENCER	1							

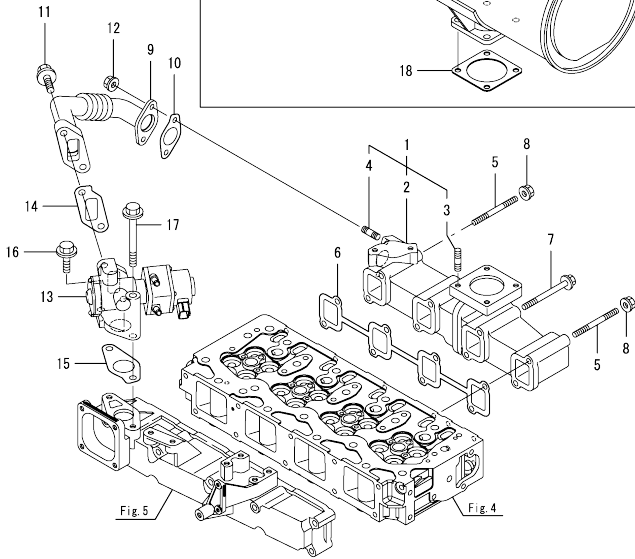
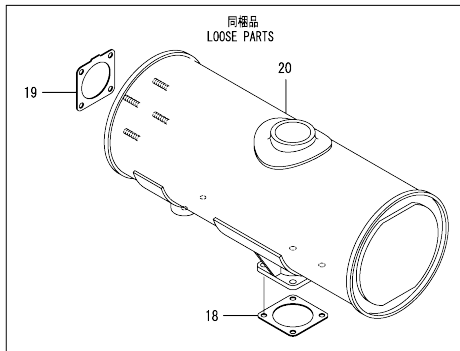
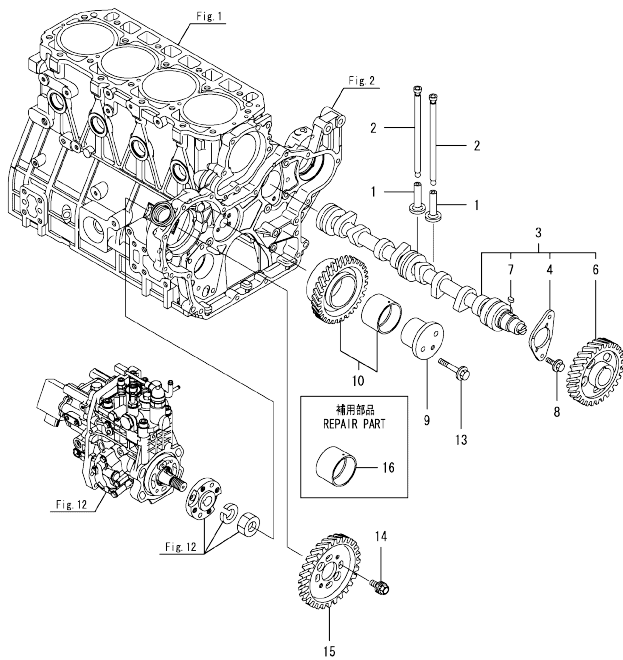


Fig.7. CAMSHAFT & DRIVING GEAR



(A)=4TNV98-ZNRKA
(B)=
(C)=

(D)=
(E)=
(F)=

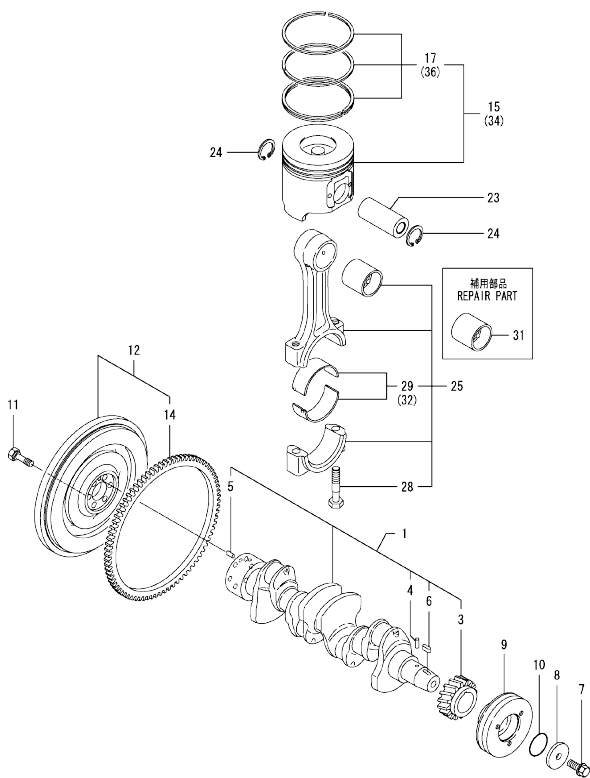
No.	Lev.	Parts No.	Description	Q'ty						I	R
				(A)	(B)	(C)	(D)	(E)	(F)		
1	1	129150-14200	TAPPET	8							
2	1	129907-14400	PUSH-ROD	8							
3	1	129908-14581	CAMSHAFT ASSY	1							
4	2	129150-02450	BEARING, THRUST	1							
6	2	129900-14100	GEAR, CAMSHAFT	1							
7	2	22512-070140	KEY, 7X 14	1							
8	1	26106-080162	BOLT, M8X 16 PLATED	2							
9	1	123900-25060	SHAFT, IDLE GEAR	1							
10	1	129900-25100	GEAR ASSY, IDLE	1							
13	1	26106-080552	BOLT, M8X 55 PLATED	3							
14	1	129953-25300	BOLT	4							
15	1	129907-25900	GEAR, PUMP	1							
16	1	129150-25920	BUSH, IDLE GEAR	1							1

Remarks
(1)Repair part.

Fig.8. CRANKSHAFT & PISTON

(A)=4TNV98-ZNRKA
(B)=
(C)=

(D)=
(E)=
(F)=



No.	Lev.	Parts No.	Description	Q'ty						I	R
				(A)	(B)	(C)	(D)	(E)	(F)		
1	1	129902-21000	CRANKSHAFT ASSY	1							
3	2	129900-21200	GEAR, CRANKSHAFT	1							
4	2	121850-21290	PIN	1							
5	2	121850-21920	PIN, PARALLEL 10X22	1							
6	2	22512-070140	KEY, 7X 14	1							
7	1	129916-21610	BOLT	1							
8	1	129960-21640	WASHER	1							
9	1	129907-21650	V-PULLEY, CRANK 130	1							
10	1	24341-000530	O-RING, 1AS53.0	1							
11	1	121850-21130	BOLT, FLYWHEEL	6							
12	1	129900-21580	FLYWHEEL ASSY	1							
14	2	129900-21600	GEAR, RING	1							
15	1	129927-22080	PISTON ASSY	4							
17	2	129927-22050	RING SET, PISTON	4							
23	1	120130-22301	PIN, PISTON	4							
24	1	22252-000300	RING, 30	8							
25	1	129900-23001	ROD ASSY, CONNECTING	4							
28	2	129900-23200	BOLT, CONNECTING ROD	8							
29	2	129900-23601	BEARING, CRANK PIN	4							
31	1	129900-23911	BEARING, PISTON PIN	4							1
32	1	129900-23611	BEARING ASSY, 0.25US	4							2
34	1	729927-22900	PISTON ASSY, 0.25 OS	4							3
36	2	729927-22950	RING SET, 0.25 OS	4							3

Remarks

- (1)Repair part.
- (2)Under-sized(U.S.=0.25)part.
- (3)Over-sized(O.S.=0.25)part.

OCD11-M12800 4TNV98-ZNRKA

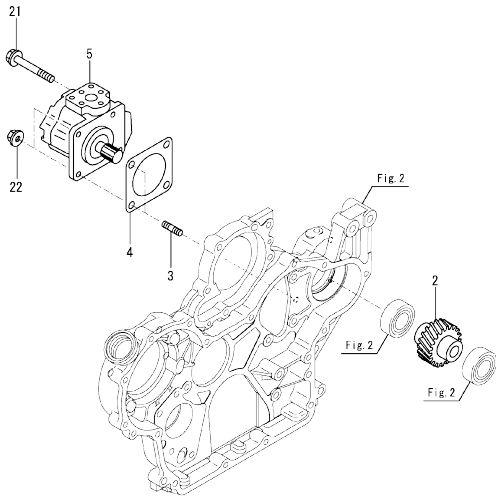
Fig.9. HYDRAULIC PUMP

OCD11-M12800 Fig.9

(A)=4TNV98-ZNRKA
(B)=
(C)=

(D)=
(E)=
(F)=

No.	Lev.	Parts No.	Description	Q'ty						I	R
				(A)	(B)	(C)	(D)	(E)	(F)		
2	1	129900-26210	GEAR, PUMP	1							
3	1	121450-01560	BOLT, STUD M8X22	2							
4	1	124240-01883	GASKET	1							
5	1	119807-26010	PUMP ASSY, HYDRAULIC	1							1
21	1	26106-080752	BOLT, M8X 75 PLATED	2							
22	1	26306-080002	NUT, M8	2							

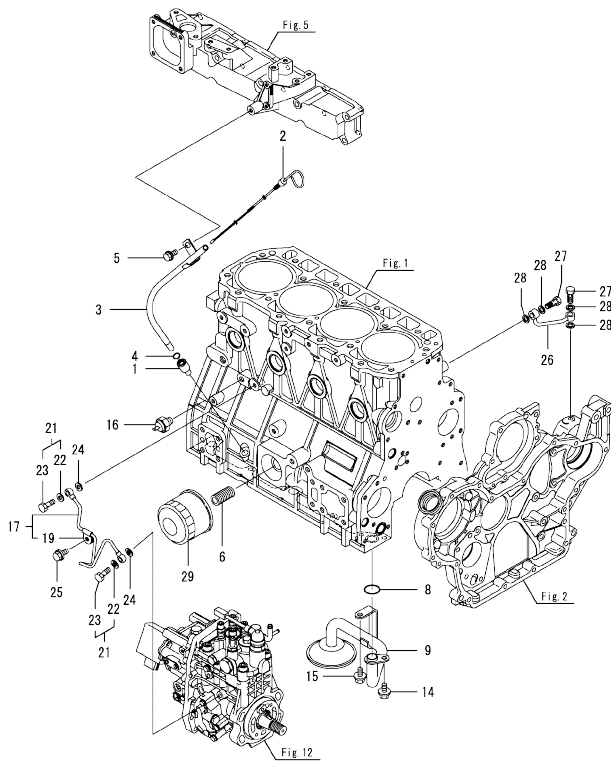


Remarks

(1)Order a pump assembly since the inner parts cannot be supplied separately.

N:Old $\frac{100}{100}$ New, Q:Old $\frac{100}{100}$ New, R:Old $\frac{100}{100}$ New, S:Old $\frac{100}{100}$ New, W:Add, Z:Discontinued, F:Interchangeable by set, K:Q'ty Change
Copyright (C) YANMAR GLOBAL CS CO., LTD. All Rights Reserved.

Fig.10. LUB.OIL SYSTEM



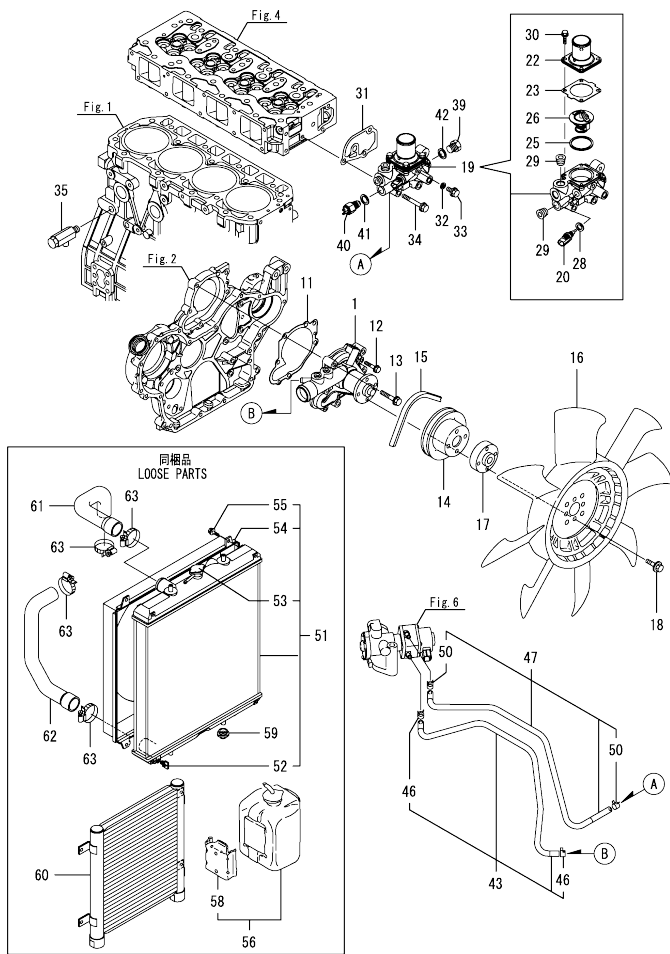
(A)=4TNV98-ZNRKA
(B)=
(C)=

(D)=
(E)=
(F)=

No.	Lev.	Parts No.	Description	Q'ty						I	R
				(A)	(B)	(C)	(D)	(E)	(F)		
1	1	119260-34810	GUIDE, DIPSTICK	1							
2	1	129921-34810	DIPSTICK, OIL	1							
3	1	129928-34850	GUIDE, DIPSTICK	1							
4	1	24316-240100	O-RING, 4DP10A	1							
5	1	26106-080162	BOLT, M8X 16 PLATED	1							
6	1	119000-35140	BOLT, STUD FILTER	1							
8	1	129900-32030	O-RING, P20	1							
9	1	129930-35000	PIPE ASSY, OIL INLET	1							
14	1	26106-080122	BOLT, M8X 12 PLATED	1							
15	1	26106-080122	BOLT, M8X 12 PLATED	1							
16	1	119761-39450	SWITCH, HYDRAULIC	1							
17	1	129927-39060	PIPE ASSY, OIL	1							
19	2	123907-39500	RETAINER, PIPE	1							
21	1	129005-59830	BOLT ASSY, JOINT M8	2							
22	2	22190-080002	WASHER, SEAL 6	2							
23	2	23857-030000	BOLT, JOINT 3	2							
24	1	22190-080002	WASHER, SEAL 6	2							
25	1	26106-080122	BOLT, M8X 12 PLATED	1							
26	1	129930-39050	PIPE, OIL	1							
27	1	105010-39140	BOLT, PIPE JOINT	2							
28	1	22190-080002	WASHER, SEAL 6	4							
29	1	129150-35153	FILTER ASSY, D80X80L	1							1

Remarks
(1)Repair part.

Fig.11. COOLING WATER SYSTEM

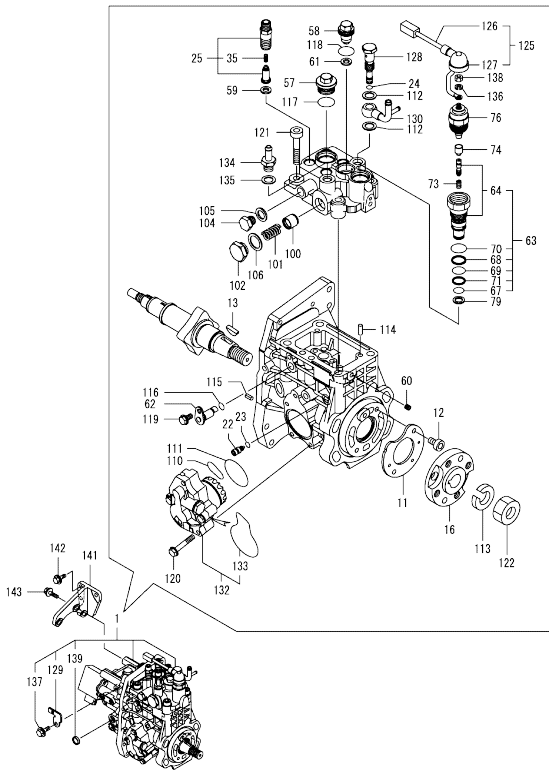


(A)=4TNV98-ZNRKA
(B)=
(C)=

(D)=
(E)=
(F)=

No.	Lev.	Parts No.	Description	Q'ty						I	R
				(A)	(B)	(C)	(D)	(E)	(F)		
1	1	129927-42000	PUMP ASSY, WATER	1							
11	1	129900-42020	GASKET, WATER PUMP	1							
12	1	26106-060302	BOLT, M6X 30 PLATED	2							
13	1	26106-080552	BOLT, M8X 55 PLATED	5							
14	1	129900-42450	V-PULLEY, C.W.PUMP	1							
15	1	25132-004150	V-BELT, A41.5	1							
16	1	119130-44740	FAN, COOLING D=410	1							
17	1	119130-44760	SPACER, FAN	1							
18	1	26106-080302	BOLT, M8X 30 PLATED	4							
19	1	129927-49800	CASE ASSY,THERMOSTAT	1							
20	2	129927-44900	SENSOR, WATER TEMP.	1							
22	2	129916-49530	COVER, THERMOSTAT	1							
23	2	121850-49540	GASKET, THERMOSTAT	1							
25	2	121850-49550	GASKET, THERMOSTAT	1							
26	2	121850-49810	THERMOSTAT, 71C	1							
28	2	22190-120002	WASHER, SEAL 12	1							
29	2	23875-030000	PLUG, R03	2							
30	2	26106-060202	BOLT, M6X 20 PLATED	4							
31	1	129900-49870	GASKET, THERMOSTAT	1							
32	1	23414-080000	GASKET, 8X1.0	1							
33	1	26106-080122	BOLT, M8X 12 PLATED	1							
34	1	26106-080602	BOLT, M8X 60 PLATED	3							
35	1	119620-49290	COCK ASSY, 1/4	1							
39	1	121450-42450	PLUG, M16	1							
40	1	121250-44901	SWITCH, THERMO 110	1							
41	1	124465-44950	GASKET, 16	1							
42	1	124465-44950	GASKET, 16	1							
43	1	129927-49610	HOSE ASSY, WATER	1							
46	2	23080-012000	CLAMP, 12	2							
47	1	129927-49620	HOSE ASSY, WATER	1							
50	2	23080-012000	CLAMP, 12	2							
51	1	129907-44500	RADIATOR ASSY	1							
52	2	129508-44550	COCK ASSY	1							
53	2	129107-44590	CAP, RADIATOR	1							
54	2	129907-44600	SHROUD	1							
55	2	26014-060122	BOLT, M6X 12	4							
56	1	720445-44200	TANK ASSY, SUB	1							
58	2	120445-44540	SUPPORT	1							
59	1	119255-44660	ABSORBER	4							
60	1	129953-44930	COOLER ASSY, OIL	1							
61	1	129981-49050	HOSE, WATER	1							
62	1	129981-49062	HOSE, WATER	1							
63	1	23000-054000	CLAMP, 54	4							

Fig.12. FUEL INJECTION PUMP



Remarks

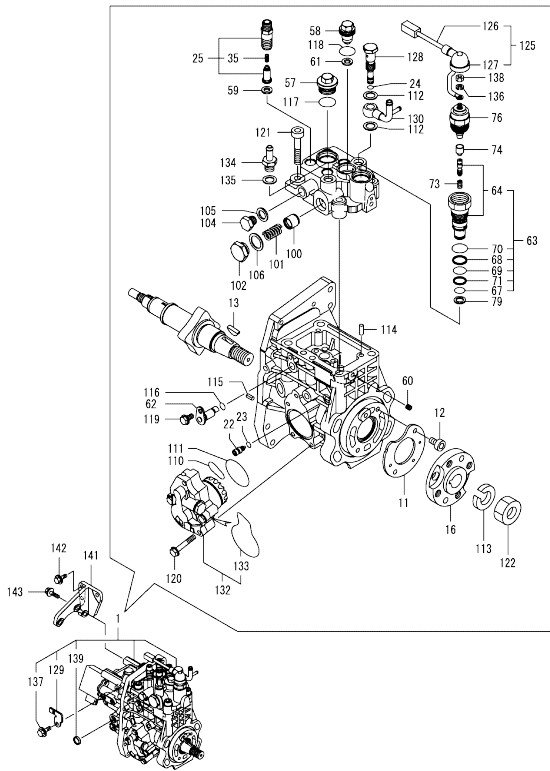
(1)Governor(Fig.13)is incorporated in this Fuel Injection Pump (Ref.1).
 (1)Eco Pump
 Make sure to update the engines ECU information when replacing the Eco Pump.
 Failing to do so will result in engine malfunction.

(A)=4TNV98-ZNRKA
 (B)=
 (C)=

(D)=
 (E)=
 (F)=

No.	Lev.	Parts No.	Description	Q'ty						I	R	
				(A)	(B)	(C)	(D)	(E)	(F)			
1	1	729927-51410	PUMP ASSY, INJECTION	1							1	
11	2	129928-51900	COVER	1								
12	2	129008-51920	BOLT, SOCKET M6X10	2								
13	2	144626-51090	FEATHER KEY, 5X19	1								
16	2	158563-51150	FLANGE	1								
22	2	158600-51270	STOPPER, TAPPET	1								
23	2	158563-51281	O-RING, 4D S6	1								
24	2	158563-51281	O-RING, 4D S6	1								
25	2	129927-51390	VALVE ASSY, DELIVERY	4								
35	3	158563-51330	SPRING, DELIVERY	4								
57	2	158601-51550	PLUG, M22	1								
58	2	129907-51560	PLUG, M16	1								
59	2	158552-51571	GASKET, PLUG	4								
60	2	158557-51570	PLUG, RACK	1								
61	2	129906-51580	GASKET, PLUG	1								
62	2	158552-51580	LIFTER, LINK	1								
63	2	129657-51590	TIMER ASSY	1								
64	3	129657-51600	TIMER ASSY	1								
67	3	158553-51670	O-RING	1								
68	3	119802-51680	RING, BACKUP	1								
69	3	119802-51690	O-RING	1								
70	3	24356-190200	O-RING, 4D19020	1								
71	3	24372-000150	RING, BACK UP T2P15	1								
73	2	119852-51630	SPRING, TIMER	1								
74	2	119852-51640	CAP, TIMER	1								
76	2	119852-51650	VALVE ASSY, SOLENOID	1								
79	2	158553-51680	GASKET, TIMER	1								
100	2	158601-51770	PISTON, ACCUMULATOR	1								
101	2	158552-51781	SPRING, ACCUMULATOR	1								
102	2	158601-51790	PLUG	1								
104	2	158553-51930	PLUG, M12	1								
105	2	22190-120002	WASHER, SEAL 12	1								
106	2	22190-180002	WASHER, SEAL 18	1								
110	2	158552-52311	O-RING	1								
111	2	158552-52400	O-RING, 4E S42	1								
112	2	22190-120002	WASHER, SEAL 12	2								
113	2	22217-180000	WASHER, SPRING 18	1								
114	2	22312-050140	PIN, PARALLEL M5X14	2								
115	2	22351-050010	PIN, SPRING 5.0X10	2								
116	2	24311-000070	O-RING, 1AP7.0	1								
117	2	24356-190200	O-RING, 4D19020	1								
118	2	24356-240210	O-RING, 4D24021	1								
119	2	26106-060102	BOLT, M6X 10 PLATED	1								
120	2	26106-060352	BOLT, M6X 35 PLATED	4								
121	2	26450-100452	BOLT, M10X 45	4								
122	2	26776-180002	NUT, LOCK M18	1								
125	2	129927-51650	HARNES ASSY, WIRE	1								
126	3	129927-51660	HARNES	1								
127	3	129263-77941	CAP, RUBBER	1								
128	2	158601-51650	JOINT, OVER FLOW	1								
129	2	129927-51670	BRACKET	1								

Fig.12. FUEL INJECTION PUMP



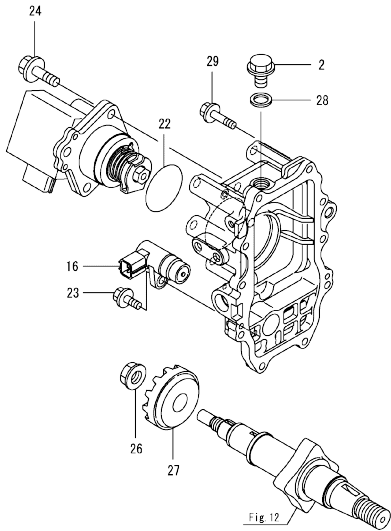
(A)=4TNV98-ZNRKA
(B)=
(C)=

(D)=
(E)=
(F)=

No.	Lev.	Parts No.	Description	Q'ty						I	R
				(A)	(B)	(C)	(D)	(E)	(F)		
130	2	158552-51670	JOINT, OVER FLOW	1							
132	2	158552-52100	PUMP ASSY, FUEL FEED	1							
133	3	158552-52500	O-RING	1							
134	2	119934-59910	JOINT, PIPE	1							
135	2	22190-120002	WASHER, SEAL 12	1							
136	2	22217-050000	WASHER, SPRING 5	1							
137	2	26106-060122	BOLT, M6X 12 PLATED	1							
138	2	26716-050002	NUT, M5	1							
139	2	27241-160000	PLUG, 16	1							
141	1	129927-51250	RETAINER, PUMP	1							
142	1	26106-080202	BOLT, M8X 20 PLATED	3							
143	1	26106-080302	BOLT, M8X 30 PLATED	3							

Remarks
 (1)Governor(Fig.13)is incorporated in this Fuel Injection Pump (Ref.1).
 (1)Eco Pump
 Make sure to update the engines ECU information when replacing the Eco Pump.
 Failing to do so will result in engine malfunction.

Fig.13. GOVERNOR



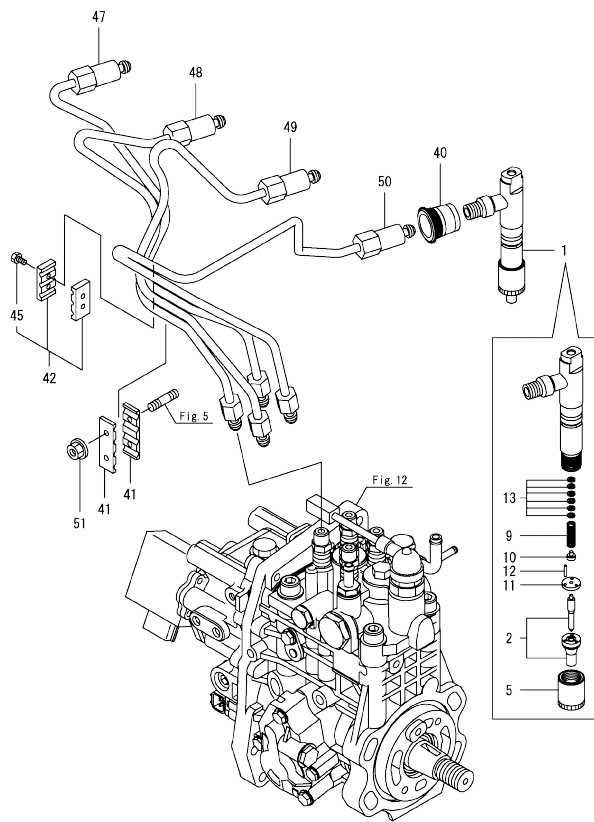
(A)=4TNV98-ZNRKA
(B)=
(C)=

(D)=
(E)=
(F)=

No.	Lev.	Parts No.	Description	Q'ty						I	R
				(A)	(B)	(C)	(D)	(E)	(F)		
2	2	158553-51930	PLUG, M12	1							
16	2	158557-61720	SENSOR	1							
22	2	24341-000480	O-RING, 1AS48.0	1							
23	2	26106-060162	BOLT, M6X 16 PLATED	1							
24	2	26106-080252	BOLT, M8X 25 PLATED	3							
26	2	129008-61301	NUT	1							
27	2	158553-61780	GEAR, SENSOR	1							
28	2	22190-120002	WASHER, SEAL 12	1							
29	2	26106-060252	BOLT, M6X 25 PLATED	10							

Remarks
*This figure(Governor)is incorporated
in the Fuel Injection Pump (Fig.12).

Fig.14. FUEL INJECTION VALVE

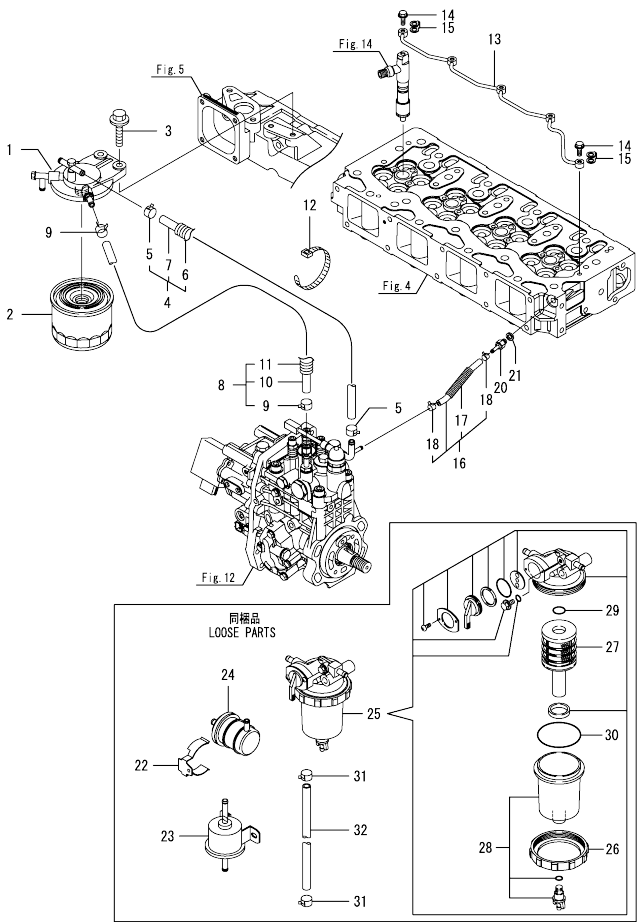


(A)=4TNV98-ZNRKA
(B)=
(C)=

(D)=
(E)=
(F)=

No.	Lev.	Parts No.	Description	Q'ty					
				(A)	(B)	(C)	(D)	(E)	(F)
1	1	729927-53100	FUEL INJECTOR ASSY	4					
2	2	129927-53000	NOZZLE ASSY, F.I.	4					
5	2	114250-53080	NUT, NOZZLE	4					
9	2	114250-53120	SPRING, NOZZLE	4					
10	2	114250-53130	SEAT, SPRING	4					
11	2	114250-53140	SPACER	4					
12	2	114250-53210	PIN	8					
13	2	119803-53400	SHIM SET	4					
40	1	123907-11601	SEAL, PIPE	4					
41	1	123472-59120	RETAINER, PIPE	2					
42	1	129150-59120	RETAINER, PIPE	1					
45	2	129150-59131	BOLT, M4X14	2					
47	1	129927-59810	PIPE ASSY, INJECTION	1					
48	1	129927-59820	PIPE ASSY, INJECTION	1					
49	1	129927-59830	PIPE ASSY, INJECTION	1					
50	1	129927-59840	PIPE ASSY, INJECTION	1					
51	1	26366-060002	NUT, M6	2					

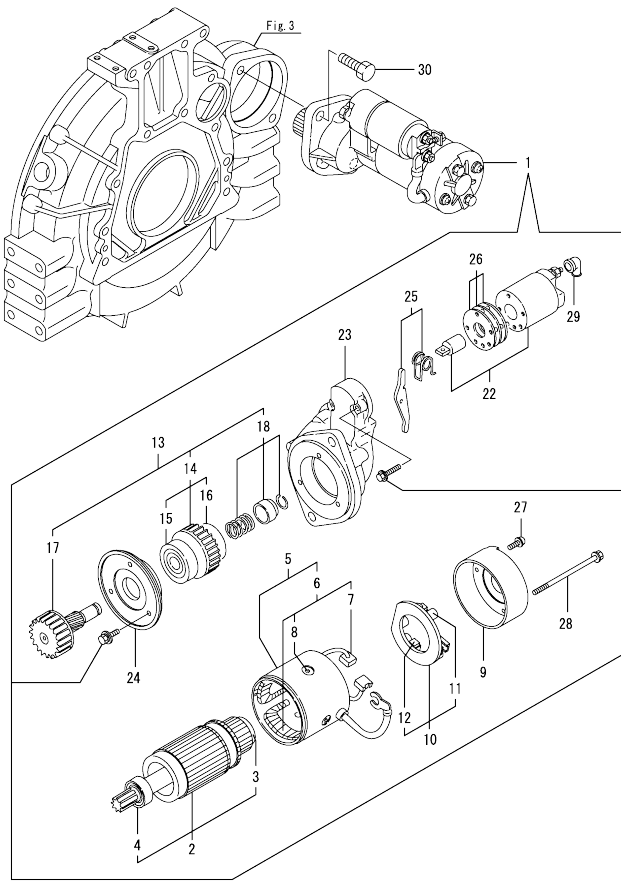
Fig.15. FUEL LINE



No.	Lev.	Parts No.	Description	Q'ty						I	R
				(A)	(B)	(C)	(D)	(E)	(F)		
1	1	129004-55612	BRACKET, FILTER	1							
2	1	119802-55801	FILTER, FUEL	1							
3	1	26106-080302	BOLT, M8X 30 PLATED	2							
4	1	129457-59010	HOSE ASSY, FUEL	1							
5	2	124766-59050	CLAMP, HOSE 11.5	2							
6	2	129957-59120	TUBE, CORRUGATED 15	1							
7	2	105025-59750	HOSE, FUEL	1							
8	1	129961-59310	HOSE ASSY, FUEL	1							
9	2	124766-59050	CLAMP, HOSE 11.5	2							
10	2	129136-59110	HOSE, D13/7.5X270	1							
11	2	129961-59110	TUBE, CORRUGATED 15	1							
12	1	121750-59890	BAND, NYLON	1							
13	1	129907-59140	PIPE ASSY, RETURN	1							
14	1	123907-59540	BOLT, PIPE JOINT M6	5							
15	1	123907-59550	GASKET	5							
16	1	129927-59550	HOSE ASSY RETURN	1							
17	2	129263-49750	TUBE, CORRUGATED	1							
18	2	124722-59050	CLAMP, HOSE 9	2							
20	1	123907-59560	JOINT, HOSE	1							
21	1	22190-080002	WASHER, SEAL 6	1							
22	1	198072-04320	CLAMP, FILTER	1							
23	1	119225-52102	PUMP, FUEL FEED	1							
24	1	129052-55630	FILTER, FUEL	1							
25	1	119802-55700	SEPARATOR ASSY, WATER	1							
26	2	129100-55690	RING, CUP RETAINING	1							
27	2	119802-55710	ELEMENT	1							
28	2	119802-55730	CUP ASSY, SEPARATOR	1							
29	2	24311-000160	O-RING, 1AP16.0	1							
30	2	24321-000650	O-RING, 1AG65.0	1							
31	1	23000-013000	CLAMP, 13	10							
32	1	23980-732500	HOSE, 7.3X2500	3							

N:Old $\frac{100}{100}$ New, Q:Old $\frac{100}{100}$ New, R:Old $\frac{100}{100}$ New, S:Old $\frac{100}{100}$ New, W:Add, Z:Discontinued, F:Interchangeable by set, K:Q'ty Change
 Copyright (C) YANMAR GLOBAL CS CO., LTD. All Rights Reserved.

Fig.16. STARTER MOTOR



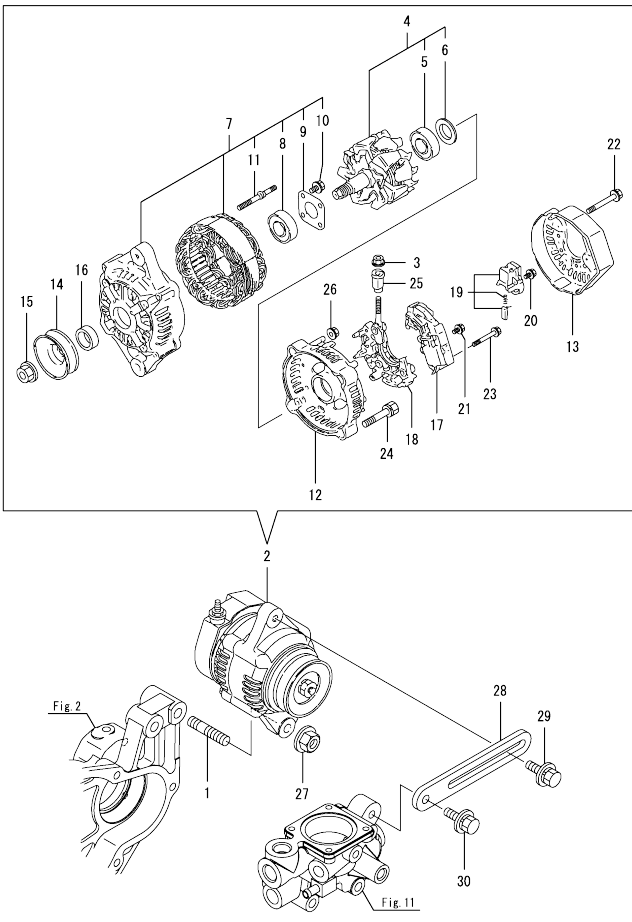
(A)=4TNV98-ZNRKA
(B)=
(C)=

(D)=
(E)=
(F)=

No.	Lev.	Parts No.	Description	Q'ty						I	R
				(A)	(B)	(C)	(D)	(E)	(F)		
1	1	129900-77040	STARTER ASSY	1							
2	2	129900-77120	ARMATURE ASSY	1							
3	3	171008-77410	BEARING, BALL	1							
4	3	171008-77420	BEARING, BALL	1							
5	2	129900-77130	YOKE ASSY	1							
6	3	129900-77140	COIL ASSY, FIELD	1							
7	4	129900-77450	BRUSH	2							
8	4	171008-77450	SCREW, CORE SET	4							
9	2	129900-77150	COVER	1							
10	2	129900-77160	HOLDER ASSY, BRUSH	1							
11	3	X2130631300	SPRING, BRUSH	4							
12	3	129900-77450	BRUSH	2							
13	2	129900-77170	CLUTCH ASSY	1							
14	3	129900-77180	CLUTCH ASSY	1							
15	4	129900-77190	BEARING, BALL	1							
16	4	X2114955020	BEARING, BALL	1							
17	3	129900-77270	SHAFT, PINION	1							
18	3	171008-77670	STOPPER SET, PINION	1							
22	2	129900-77280	SWITCH ASSY, MAGNET	1							
23	2	129900-77290	CASE, GEAR	1							
24	2	129900-77380	RETAINER, BEARING	1							
25	2	129900-77390	LEVER ASSY, SHIFT	1							
26	2	129900-77420	COVER KIT, DUST	1							
27	2	129900-77430	SCREW, M4X10	2							
28	2	129685-77640	BOLT, THROUGH	2							
29	2	171008-77750	COVER, TERMINAL	1							
30	1	26116-120302	BOLT, M12X 30 PLATED	2							

OCD11-M12800 4TNV98-ZNRKA
 Fig.17. GENERATOR

OCD11-M12800 Fig.17



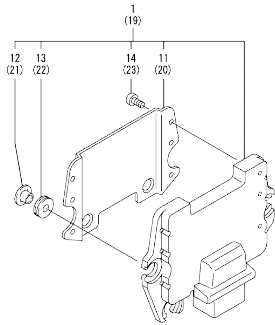
(A)=4TNV98-ZNRKA
 (B)=
 (C)=

(D)=
 (E)=
 (F)=

No.	Lev.	Parts No.	Description	Qty						I	R
				(A)	(B)	(C)	(D)	(E)	(F)		
1	1	129795-01900	BOLT, STUD M10X33	1							
2	1	129961-77200	GENERATOR ASSY, 55A	1							
3	2	X9490561001	NUT	1							
4	2	129052-77380	ROTOR ASSY	1							
5	3	123501-79240	BEARING, BALL	1							
6	3	119620-79250	COVER, BEARING	1							
7	2	129961-77421	FRAME ASSY	1							
8	3	119620-79200	BEARING, BALL	1							
9	3	119620-79210	RETAINER	1							
10	3	119620-79220	SCREW	4							
11	3	119620-79230	BOLT, STUD	2							
12	2	128401-77440	COVER	1							
13	2	128401-77450	COVER, GENERATOR	1							
14	2	119620-77461	PULLEY, GENERATOR	1							
15	2	119620-77471	NUT	1							
16	2	119620-77490	COLLAR	1							
17	2	119620-77710	REGULATOR ASSY	1							
18	2	129052-79260	HOLDER	1							
19	2	129052-79270	HOLDER, BRUSH	1							
20	2	119620-79290	SCREW	6							
21	2	119620-79300	SCREW	1							
22	2	119620-79310	BOLT	3							
23	2	119620-79320	SCREW	2							
24	2	119620-79330	BOLT	2							
25	2	119620-79340	BUSH, INSULATION	1							
26	2	119620-79350	NUT	2							
27	1	26306-100002	NUT, M10	1							
28	1	129988-77330	ADJUSTER, BELT	1							
29	1	119810-77340	BOLT, ADJUST L=30	1							
30	1	26014-080252	BOLT, M8X 25	1							

N:Old $\frac{100}{100}$ New, Q:Old $\frac{100}{100}$ New, R:Old $\frac{100}{100}$ New, S:Old $\frac{100}{100}$ New, W:Add, Z:Discontinued, F:Interchangeable by set, K:Qty Change
 Copyright (C) YANMAR GLOBAL CS CO., LTD. All Rights Reserved.

Fig.18. ELECTRONIC CONTROL UNIT(ECU)



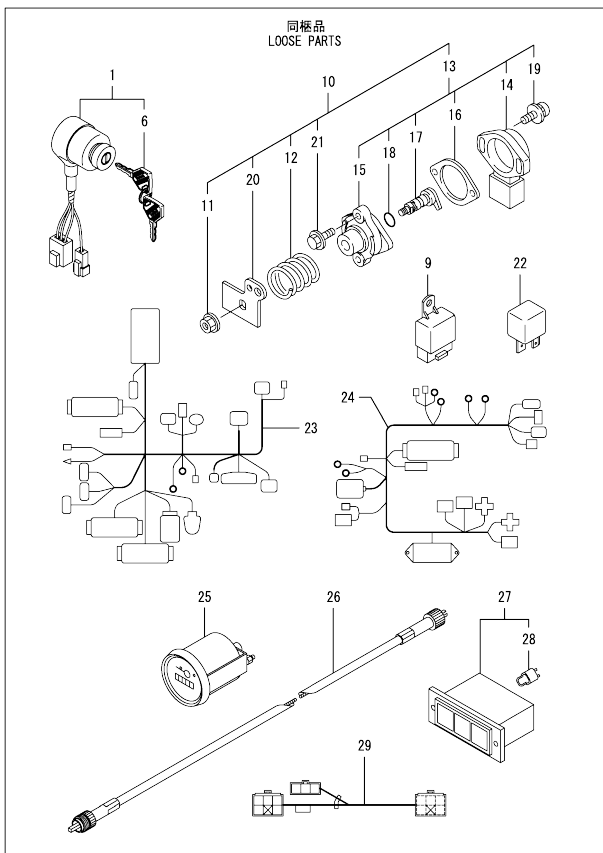
(A)=4TNV98-ZNRKA
(B)=
(C)=

(D)=
(E)=
(F)=

No.	Lev.	Parts No.	Description	Q'ty						I	R
				(A)	(B)	(C)	(D)	(E)	(F)		
1	1	129966-75020	ECU CMP(4TNV98ZNRKA	1							1
11	2	129927-77600	SHIELD, ECU	1							
12	2	129927-77680	COLLAR, CONTROL	3							
13	2	119578-91351	ABSORBER	3							
14	2	22877-500080	SCREW, 5X 8	6							
19	1	129927-75900	ECU ASSY, SERVICE	1							2
20	2	129927-77600	SHIELD, ECU	1							
21	2	129927-77680	COLLAR, CONTROL	3							
22	2	119578-91351	ABSORBER	3							
23	2	22877-500080	SCREW, 5X 8	6							

Remarks
(1)Eco ECU
This part cannot be ordered.
Replace the part using a Service ECU with the proper engine information installed.
(2)Service ECU
If the proper information is not installed, the engine will not operate.
To install proper information, go to an authorized Distributor.

Fig.19. ELECTRIC PARTS



No.	Lev.	Parts No.	Description	Qty						I	R
				(A)	(B)	(C)	(D)	(E)	(F)		
1	1	194940-52110	SWITCH, STARTING	1							
1-1	1	129902-77500 (A=E157585)	SWITCH ASSY, STARTER	1							N
6	2	198360-52160	KEY ASSY, SPARE	1							
9	1	198461-52950	RELAY, CA TYPE C	3							
9-1	1	172B02-17150	RELAY, CA TYPE C	3							R
(A=EV3121)											
10	1	129938-77800	SENSOR ASSY, ACCEL	1							
11	2	194990-22130	NUT, M6	1							
12	2	119060-61990	SPRING, RETURN	1							
13	2	129054-77800	SENSOR ASSY, ACCEL	1							
14	3	185100-50070	BODY	1							
15	3	129054-77811	SUPPORT, SENSOR	1							
16	3	129054-77820	GASKET	1							
17	3	129054-77830	SHAFT ASSY	1							
18	3	24311-000070	O-RING, 1AP7.0	1							
19	3	26023-040202	SCREW, M4X20	2							
20	2	129938-77810	LEVER, SENSOR	1							
21	2	26106-060122	BOLT, M6X 12 PLATED	2							
22	1	129927-77920	RELAY, ISO 70A	2							
23	1	129927-91040	HARNESS, WIRE	1							
24	1	129927-91050	HARNESS, WIRE	1							
25	1	119254-91100	TACHOMETER	1							
26	1	129137-91160	CABLE, TACHOMETER	1							
27	1	170038-91310	LAMP UNIT	1							
28	2	183001-91300	LAMP	1							
29	1	129927-91151	HARNESS, DIODE	3							W
(A=EV3121)											

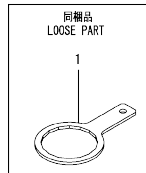
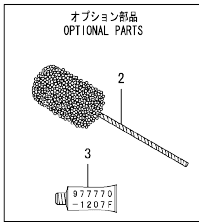
OCD11-M12800 4TNV98-ZNRKA
 Fig.20. ACCESSORY

OCD11-M12800 Fig.20

(A)=4TNV98-ZNRKA
 (B)=
 (C)=

(D)=
 (E)=
 (F)=

No.	Lev.	Parts No.	Description	Q'ty						I	R
				(A)	(B)	(C)	(D)	(E)	(F)		
1	1	119640-92750	TOOL, FILTER WRENCH	1							
2	1	129400-92450	HONE, FLEX	1							1
3	1	977770-1207F	GASKET,LIQUID	1							1



Remarks
 (1)Optional parts.

N:Old $\frac{100}{100}$ New, Q:Old $\frac{100}{100}$ New, R:Old $\frac{100}{100}$ New, S:Old $\frac{100}{100}$ New, W:Add, Z:Discontinued, F:Interchangeable by set, K:Q'ty Change
 Copyright (C) YANMAR GLOBAL CS CO., LTD. All Rights Reserved.

Parts No. Index

Parts No.	Fig. No.	Ref. No.	Parts No.	Fig. No.	Ref. No.	Parts No.	Fig. No.	Ref. No.	Parts No.	Fig. No.	Ref. No.
105010-39140	10	27	119802-11870	4	22	124240-01883	9	4	129900-01200	1	27
105025-59750	15	7	119802-13680	6	7	124465-44950	11	41	129900-01250	1	4
114250-53080	14	5	119802-51680	12	68			42	129900-01620	3	2
114250-53120	14	9	119802-51690	12	69	124722-59050	15	18	129900-01850	2	33
114250-53130	14	10	119802-55700	15	25	124766-59050	15	5	129900-01870	2	34
114250-53140	14	11	119802-55710	15	27			9	129900-02020	1	6
114250-53210	14	12	119802-55730	15	28	128401-77440	17	12	129900-02341	1	32
119000-35140	10	6	119802-55801	15	2	128401-77450	17	13	129900-02410	1	9
119005-77051	5	9	119803-11340	4	13	129004-55612	15	1	129900-02931	1	24
119060-61990	19	12	119803-53400	14	13	129005-59830	10	21	129900-02941	1	35
119129-77020	5	7	119807-26010	9	5	129008-51920	12	12	129900-13251	6	6
119129-77520	5	10	119810-77340	17	29	129008-61301	13	26	129900-14100	7	6
119130-44740	11	16	119852-51630	12	73	129052-55630	15	24	129900-21200	8	3
119130-44760	11	17	119852-51640	12	74	129052-77380	17	4	129900-21580	8	12
119131-18320	6	3	119852-51650	12	76	129052-79260	17	18	129900-21600	8	14
119140-12680	5	21	119934-59910	12	134	129052-79270	17	19	129900-23001	8	25
119160-12530	5	18	120130-22301	8	23	129054-77800	19	13	129900-23200	8	28
119160-12540	5	19	120445-44540	11	58	129054-77811	19	15	129900-23601	8	29
119160-12570	5	20	121027-11743	2	43	129054-77820	19	16	129900-23611	8	32
119225-52102	15	23	121250-44901	11	40	129054-77830	19	17	129900-23911	8	31
119254-91100	19	25	121450-01560	9	3	129100-01580	2	1	129900-25100	7	10
119255-44660	11	59	121450-42450	11	39			3	129900-26210	9	2
119260-34810	10	1	121750-59890	15	12	129100-55690	15	26	129900-26250	2	38
119578-91351	18	13	121850-21130	8	11	129107-44590	11	53	129900-32001	2	4
		22	121850-21290	8	4	129136-59110	15	10	129900-32030	2	16
119593-11301	4	27	121850-21920	8	5	129137-91160	19	26		10	8
119620-01750	3	4	121850-49540	11	23	129150-02450	7	4	129900-32040	2	17
119620-11180	4	12	121850-49550	11	25	129150-11230	4	35	129900-42020	11	11
119620-49290	11	35	121850-49810	11	26			39	129900-42450	11	14
119620-77461	17	14	121850-77021	5	8	129150-11750	4	17	129900-49870	11	31
119620-77471	17	15	123472-59120	14	41			36	129900-77040	16	1
119620-77490	17	16	123501-79240	17	5			40	129900-77120	16	2
119620-77710	17	17	123900-25060	7	9	129150-14200	7	1	129900-77130	16	5
119620-79200	17	8	123907-03100	4	52	129150-25920	7	16	129900-77140	16	6
119620-79210	17	9	123907-03110	4	53	129150-35153	10	29	129900-77150	16	9
119620-79220	17	10	123907-03120	4	54	129150-59120	14	42	129900-77160	16	10
119620-79230	17	11	123907-03140	4	55	129150-59131	14	45	129900-77170	16	13
119620-79250	17	6	123907-11280	4	32	129150-91400	2	39	129900-77180	16	14
119620-79290	17	20	123907-11550	4	1	129263-13210	6	5	129900-77190	16	15
119620-79300	17	21	123907-11601	14	40	129263-49750	15	17	129900-77270	16	17
119620-79310	17	22	123907-11820	4	19	129263-77941	12	127	129900-77280	16	22
119620-79320	17	23	123907-11830	4	18	129400-13201	6	18	129900-77290	16	23
119620-79330	17	24	123907-39500	10	19	129400-92450	20	2	129900-77380	16	24
119620-79340	17	25	123907-59540	15	14	129418-18320	6	4	129900-77390	16	25
119620-79350	17	26	123907-59550	15	15	129457-59010	15	4	129900-77420	16	26
119625-11880	4	23	123907-59560	15	20	129508-44550	11	52	129900-77430	16	27
119640-01640	3	9	124160-01751	2	24	129657-51590	12	63	129900-77450	16	7
119640-61400	4	58		4	47	129657-51600	12	64			12
119640-92750	20	1	124160-11340	4	14	129685-77640	16	28	129902-21000	8	1
119761-39450	10	16	124160-11360	4	63	129795-01900	17	1	129902-77500	19	1 -1

Parts No. Index

Parts No.	Fig. No.	Ref. No.
129906-51580	12	61
129907-01331	1	28
129907-01500	2	3
129907-03011	4	49
129907-03061	4	50
129907-03070	4	51
129907-07900	4	66
129907-11100	4	9
129907-11110	4	10
129907-11120	4	11
129907-11250	4	29
129907-11260	4	30
129907-11270	4	31
129907-11341	4	28
129907-11510	4	15
129907-11650	4	33
129907-11660	4	37
129907-11800	4	68
129907-11910	4	24
129907-11920	4	41
129907-11950	4	25
129907-12110	5	1
129907-13500	6	20
129907-14400	7	2
129907-21650	8	9
129907-25900	7	15
129907-44500	11	51
129907-44600	11	54
129907-51560	12	58
129907-59140	15	13
129908-14581	7	3
129916-01790	3	7
129916-01800	2	32
129916-21610	8	7
129916-49530	11	22
129921-34810	10	2
129927-11320	4	48
129927-11700	4	2
129927-12060	5	13
129927-12100	5	3
129927-12150	5	2
129927-13100	6	2
129927-13150	6	1
129927-13800	6	9
129927-13810	6	10
129927-13910	6	14
129927-13920	6	15
129927-22050	8	17
129927-22080	8	15
129927-39060	10	17

Parts No.	Fig. No.	Ref. No.
129927-42000	11	1
129927-42140	2	17 A
129927-44900	11	20
129927-49610	11	43
129927-49620	11	47
129927-49800	11	19
129927-51250	12	141
129927-51390	12	25
129927-51650	12	125
129927-51660	12	126
129927-51670	12	129
129927-53000	14	2
129927-59550	15	16
129927-59810	14	47
129927-59820	14	48
129927-59830	14	49
129927-59840	14	50
129927-75900	18	19
129927-77600	18	11
		20
129927-77680	18	12
		21
		22
129927-77920	19	22
129927-91040	19	23
129927-91050	19	24
129927-91151	19	29
129928-13900	6	13
129928-34850	10	3
129928-51900	12	11
129930-01710	3	8
129930-13201	6	19
129930-35000	10	9
129930-39050	10	26
129933-11310	4	57
129935-12500	5	15
129935-12520	5	17
129938-77800	19	10
129938-77810	19	20
129944-12230	5	14
129951-01740	2	26
129953-25300	7	14
129953-44930	11	60
129957-59120	15	6
129960-21640	8	8
129961-59110	15	11
129961-59310	15	8
129961-77200	17	2
129961-77421	17	7
129966-75020	18	1
129981-49050	11	61

Parts No.	Fig. No.	Ref. No.
129981-49062	11	62
129988-77330	17	28
144626-51090	12	13
158552-51571	12	59
158552-51580	12	62
158552-51670	12	130
158552-51781	12	101
158552-52100	12	132
158552-52311	12	110
158552-52400	12	111
158552-52500	12	133
158553-51670	12	67
158553-51680	12	79
158553-51930	12	104
	13	2
	13	27
158553-61780	13	27
158557-51570	12	60
158557-61720	13	16
158563-51150	12	16
158563-51281	12	23
		24
158563-51330	12	35
158600-51270	12	22
158601-51550	12	57
158601-51650	12	128
158601-51770	12	100
158601-51790	12	102
170038-91310	19	27
171008-77410	16	3
171008-77420	16	4
171008-77450	16	8
171008-77670	16	18
171008-77750	16	29
171051-01921	1	5
172B02-17150	19	9 -1
175339-79700	4	59
183001-91300	19	28
185100-50070	19	14
194940-52110	19	1
194990-22130	19	11
198072-04320	15	22
198360-52160	19	6
198461-52950	19	9
22190-080002	10	22
		24
		28
	15	21
22190-120002	11	28
	12	105
		112

Parts No.	Fig. No.	Ref. No.
22190-120002	12	135
	13	28
22190-180002	12	106
22190-220002	3	11
22217-050000	12	136
22217-180000	12	113
22252-003000	8	24
22312-050140	12	114
22351-050010	12	115
22351-060012	1	11
22512-070140	7	7
	8	6
22857-500100	4	60
		61
22877-500080	18	14
		23
23000-013000	15	31
23000-054000	11	63
23000-080000	5	22
23000-090000	5	23
23080-012000	11	46
		50
23414-080000	11	32
23857-030000	10	23
23875-030000	11	29
23876-020000	4	6
23876-030000	1	12
		13
		14
		7
23980-732500	15	32
24311-000070	2	18
	19	18
	12	116
24311-000120	4	26
		64
24311-000160	15	29
24311-000320	2	25
	4	44
		65
24316-240100	10	4
24321-000650	15	30
24341-000240	2	41
24341-000480	13	22
24341-000530	8	10
24351-030750	2	19
24356-190200	12	70
		117
24356-240210	12	118
24372-000150	12	71

Parts No. Index

Parts No.	Fig. No.	Ref. No.
25132-004150	11	15
26014-060122	11	55
26014-080252	17	30
26023-040202	19	19
26106-060102	12	119
26106-060122	4	62
	12	137
	19	21
26106-060162	2	42
	13	23
26106-060202	11	30
26106-060252	13	29
26106-060302	11	12
26106-060352	12	120
26106-080122	3	12
	10	14
		15
		25
	11	33
26106-080162	2	20
		35
	4	67
	7	8
	10	5
26106-080202	2	21
		27
	12	142
26106-080252	13	24
26106-080302	11	18
	12	143
	15	3
26106-080402	2	36
	4	43
	5	11
26106-080452	2	22
		28
	5	5
26106-080552	7	13
	11	13
26106-080602	4	44
		45
	11	34
26106-080702	2	37
26106-080752	2	29
	9	21
26106-080802	5	6
26106-080902	5	12
26106-100302	6	11
		16
26106-100952	6	17

Parts No.	Fig. No.	Ref. No.
26116-120302	16	30
26206-100352	3	5
26206-100702	3	6
26216-060202	5	4
26216-100302	2	15
26226-080222	4	42
26306-080002	4	46
	6	8
		12
	9	22
26306-100002	2	23
	17	27
26366-060002	14	51
26450-100452	12	121
26716-050002	12	138
26776-180002	12	122
27241-160000	12	139
27241-300000	1	10
27241-400000	4	8
27310-070001	4	20
720445-44200	11	56
729900-02801	1	29
729907-01590	2	30
729927-01560	1	1
729927-22900	8	34
729927-22950	8	36
729927-51410	12	1
729927-53100	14	1
977770-1207F	20	3
X2114955020	16	16
X2130631300	16	11
X9490561001	17	3

Parts No.	Fig. No.	Ref. No.
-----------	----------	----------

Parts No.	Fig. No.	Ref. No.
-----------	----------	----------