

0CD50-M04020EN

P R E F A C E

This parts catalog is the 1st edition of 4TNV98-ZNHQM for Husqvarna.

Published : July, 2018

Contents

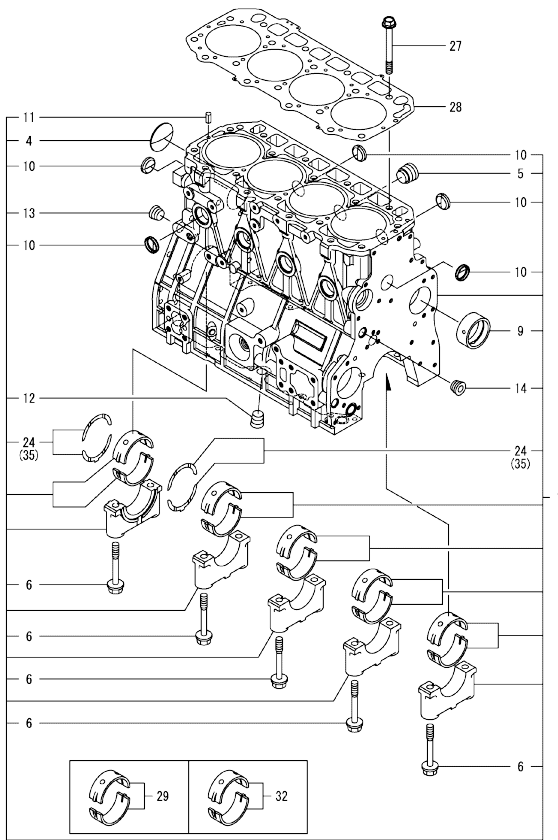
OCD50-M04020

Fig. No.	Fig. Name	Fig. No.	Fig. Name
ENGINE			
1.	CYLINDER BLOCK		
2.	GEAR HOUSING		
3.	FLYWHEEL HOUSING & OIL SUMP		
4.	CYLINDER HEAD & BONNET		
5.	SUCTION MANIFOLD		
6.	EXHAUST MANIFOLD		
7.	CAMSHAFT & DRIVING GEAR		
8.	CRANKSHAFT & PISTON		
9.	LUB. OIL SYSTEM		
10.	COOLING WATER SYSTEM		
11.	FUEL INJECTION PUMP		
12.	GOVERNOR		
13.	FUEL INJECTION VALVE		
14.	FUEL PIPE		
15.	STARTER MOTOR		
16.	GENERATOR		
17.	ELECTRONIC CONTROL UNIT(ECU)		
18.	ACCESSORY		

Fig.1. CYLINDER BLOCK

(A)=4TNV98-ZNHQM
(B)=
(C)=

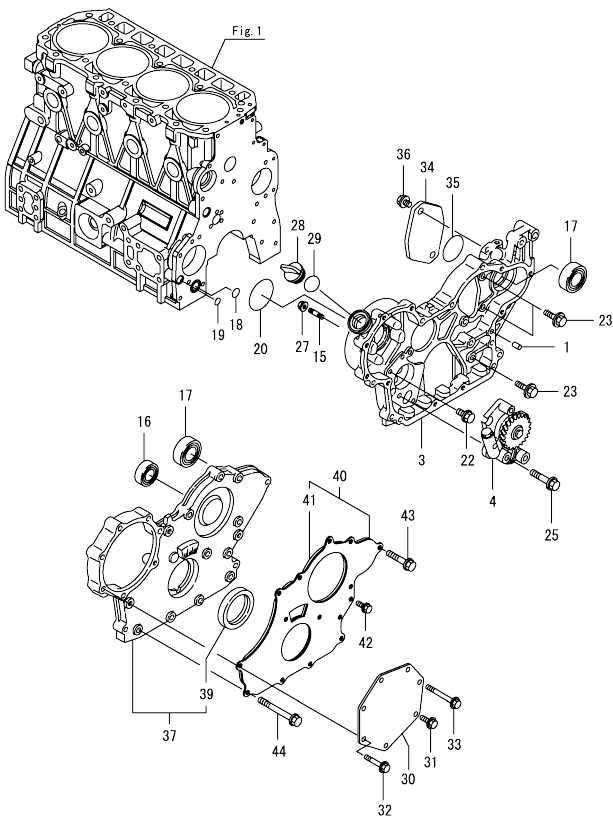
(D)=
(E)=
(F)=



No.	Lev.	Parts No.	Description	Q'ty						I	R
				(A)	(B)	(C)	(D)	(E)	(F)		
1	1	729927-01560	BLOCK ASSY, CYLINDER	1							
4	2	129900-01250	PLUG, 55	1							
5	2	171051-01921	PLUG, NPTF1	1							
6	2	129900-02020	BOLT, METAL CAP	10							
9	2	129900-02410	BUSH, CAMSHAFT	1							
10	2	27241-300000	PLUG 30	8							
11	2	22351-060012	PIN, SPRING 6.0X12	2							
12	2	23876-030000	PLUG, R03	1							
13	2	23876-030000	PLUG, R03	1							
14	2	23876-030000	PLUG, R03	1							
24	2	129927-02930	BEARING ASSY, THRUST	2							
27	1	129900-01200	BOLT, CYLINDER HEAD	18							
28	1	129907-01331	GASKET, HEAD	1							
29	1	729927-02800	BEARING ASSY, MAIN	5							1
32	1	129927-02340	BEARING ASSY, MAIN US	5							2
35	1	129927-02940	BEARING, THRUST 0.25OS	2							3

Remarks
(1) Spare parts.
(2) Under-sized (U.S.=0.25) parts.
(3) Over-sized (O.S.=0.25) parts.

Fig.2. GEAR HOUSING

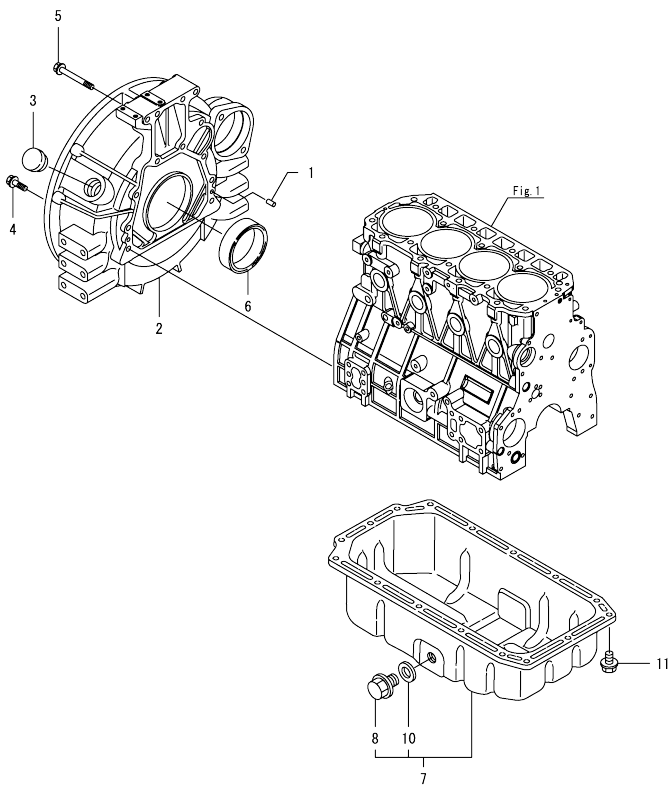


(A)=4TNV98-ZNHQM
(B)=
(C)=

(D)=
(E)=
(F)=

No.	Lev.	Parts No.	Description	Qty						I	R
				(A)	(B)	(C)	(D)	(E)	(F)		
1	1	129100-01580	PIN, PARALLEL 8X16	4							
3	1	129963-01500	CASE, GEAR	1							
4	1	129900-32001	PUMP ASSY, OIL	1							
15	1	26216-100302	STUD, M10X 30	4							
16	1	129900-14140	BEARING, BALL 6205	1							
17	1	129900-26250	BEARING, BALL 6206C3	2							
18	1	129900-32030	O-RING, P20	1							
19	1	129900-32040	O-RING, P14	1							
20	1	24351-030750	O-RING, 1A3075	1							
22	1	26106-080162	BOLT, M8X 16 PLATED	1							
23	1	26106-080202	BOLT, M8X 20 PLATED	3							
25	1	26106-080452	BOLT, M8X 45 PLATED	3							
27	1	26306-100002	NUT, M10	4							
28	1	124160-01751	CAP, FILLER	1							
29	1	24311-000320	O-RING, 1AP32.0	1							
30	1	129951-01740	COVER, PUMP TIMING	1							
31	1	26106-080202	BOLT, M8X 20 PLATED	1							
32	1	26106-080452	BOLT, M8X 45 PLATED	5							
33	1	26106-080752	BOLT, M8X 75 PLATED	1							
34	1	129930-01870	COVER, PUMP	1							
35	1	24321-000850	O-RING, 1AG85.0	1							
36	1	26106-100202	BOLT, M10X 20 PLATED	2							
37	1	729907-01559	COVER ASSY, CASE	1							
39	2	129916-01800	SEAL, OIL	1							
40	1	129900-01850	COVER ASSY, CASE	1							
41	2	129900-01870	SPONGE, COVER	1							
42	1	26106-080162	BOLT, M8X 16 PLATED	3							
43	1	26106-080402	BOLT, M8X 40 PLATED	5							
44	1	26106-080702	BOLT, M8X 70 PLATED	6							

Fig.3. FLYWHEEL HOUSING & OIL SUMP

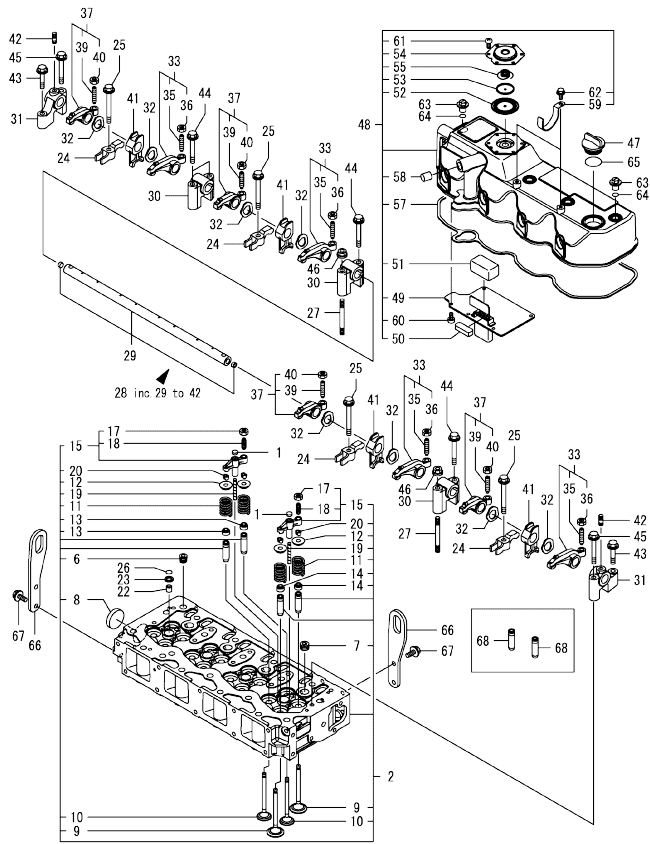


(A)=4TNV98-ZNHQM
(B)=
(C)=

(D)=
(E)=
(F)=

No.	Lev.	Parts No.	Description	Q'ty						I	R
				(A)	(B)	(C)	(D)	(E)	(F)		
1	1	129100-01580	PIN, PARALLEL 8X16	2							
2	1	129981-01600	HOUSING, FLYWHEEL	1							
3	1	119620-01750	CAP, WHEEL COVER	1							
4	1	26206-100352	BOLT, M10X 35 PLATED	9							
5	1	26206-100702	BOLT, M10X 70 PLATED	4							
6	1	129916-01790	SEAL, D115/95XT11	1							
7	1	129902-01710	OIL PAN ASSY	1							
8	2	119640-01640	PLUG, DRAIN M22	1							
10	2	22190-220002	WASHER, SEAL 22	1							
11	1	26106-080122	BOLT, M8X 12 PLATED	16							

Fig.4. CYLINDER HEAD & BONNET



(A)=4TNV98-ZNHQM
(B)=
(C)=

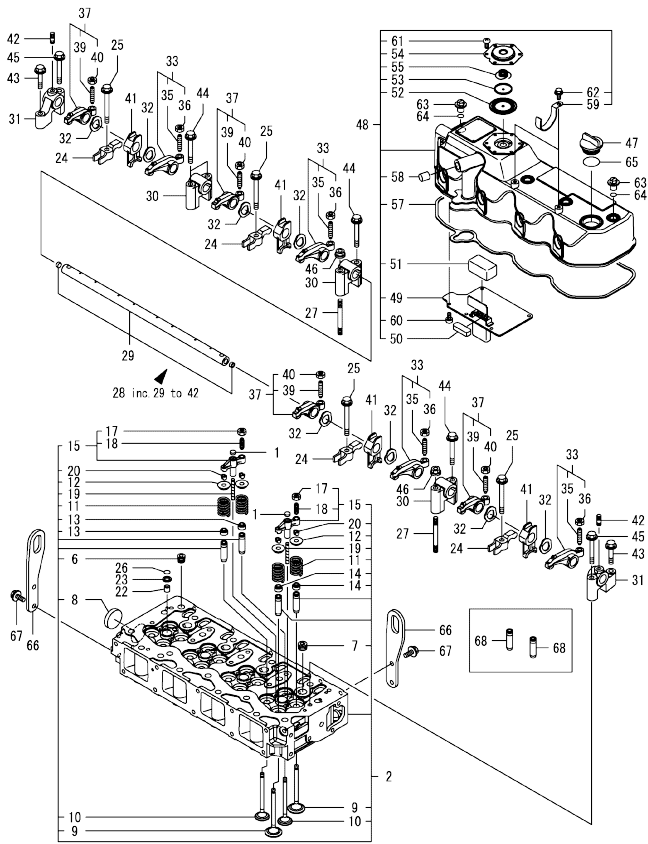
(D)=
(E)=
(F)=

No.	Lev.	Parts No.	Description	Q'ty						I	R
				(A)	(B)	(C)	(D)	(E)	(F)		
1	1	123907-11550	SEAT, VALVE BRIDGE	8							
2	1	129927-11700	HEAD ASSY, CYLINDER	1							
6	2	23876-020000	PLUG, R02	1							
7	2	23876-030000	PLUG, R03	4							
8	2	27241-400000	PLUG, 40	1							
9	2	129907-11100	VALVE, INTAKE	8							
10	2	129907-11110	VALVE, EXHAUST	8							
11	2	129907-11120	SPRING, VALVE	16							
12	2	119620-11180	RETAINER, SPRING	16							
13	2	119803-11340	SEAL, VALVE STEM	8							
14	2	124160-11340	SEAL, VALVE STEM	8							
15	2	129907-11510	BRIDGE ASSY, VALVE	8							
17	3	129150-11750	NUT, M8XP1.0	8							
18	3	123907-11830	ADJUSTER, BRIDGE	8							
19	2	123907-11820	GUIDE, BRIDGE	8							
20	2	27310-070001	COTTER, 7	16							
22	1	119802-11870	PROTECTOR, NOZZLE	4							
23	1	119625-11880	SEAT, NOZZLE	4							
24	1	129907-11910	RETAINER, NOZZLE	4							
25	1	129907-11950	BOLT, VALVE HOLDER	4							
26	1	24311-000120	O-RING, 1AP12.0	4							
27	1	119593-11301	STUD, M8X80	2							
28	1	129907-11341	SUPPORT ASSY, ROCKER	1							
29	2	129907-11250	SHAFT, ROCKER ARM	1							
30	2	129907-11260	SUPPORT, ROCKER A	3							
31	2	129907-11270	SUPPORT, ROCKER B	2							
32	2	123907-11280	WASHER, WAVE	8							
33	2	129907-11650	ARM ASSY, ROCKER INT	4							
35	3	129150-11230	SCREW, VALVE ADJUST	4							
36	3	129150-11750	NUT, M8XP1.0	4							
37	2	129907-11660	ARM ASSY, ROCKER EXH	4							
39	3	129150-11230	SCREW, VALVE ADJUST	4							
40	3	129150-11750	NUT, M8XP1.0	4							
41	2	129907-11920	RETAINER, NOZZLE	4							
42	2	26226-080222	STUD, M8X 22	2							
43	1	26106-080402	BOLT, M8X 40 PLATED	2							
44	1	26106-080602	BOLT, M8X 60 PLATED	4							
45	1	26106-080602	BOLT, M8X 60 PLATED	2							
46	1	26306-080002	NUT, M8	2							
47	1	124160-01751	CAP, FILLER	1							
48	1	129927-11320	BONNET ASSY, HEAD	1							
49	2	129907-03011	PLATE, BAFFLE	1							
50	2	129907-03061	BAFFLE, BREATHER	1							
51	2	129907-03070	BAFFLE, BREATHER	1							
52	2	123907-03100	DIAPHRAGM, BREATHER	1							
53	2	123907-03110	PLATE, CENTER	1							
54	2	123907-03120	PLATE, BREATHER	1							
55	2	123907-03140	SPRING, DIAPHRAGM	1							
57	2	129933-11310	GASKET, BONNET	1							
58	2	119640-61400	PLUG	1							
59	2	175339-79700	CLIP	2							

Remarks
(1)Spare parts.

N:Old $\frac{100}{100}$ New, Q:Old $\frac{100}{100}$ New, R:Old $\frac{100}{100}$ New, S:Old $\frac{100}{100}$ New, W:Add, Z:Discontinued, F:Interchangeable by set, K:Q'ty Change
 ++ CONTINUE ++
 Copyright (C) 2018 YANMAR GLOBAL CS CO., LTD. All Rights Reserved.

Fig.4. CYLINDER HEAD & BONNET



(A)=4TNV98-ZNHQM
(B)=
(C)=

(D)=
(E)=
(F)=

No.	Lev.	Parts No.	Description	Q'ty						I	R		
				(A)	(B)	(C)	(D)	(E)	(F)				
60	2	22857-500100	SCREW, 5X10										
61	2	22857-500100	SCREW, 5X10										
62	2	26106-060122	BOLT, M6X 12 PLATED										
63	1	124160-11360	KNOB, BONNET										
64	1	24311-000120	O-RING, 1AP12.0										
65	1	24311-000320	O-RING, 1AP32.0										
66	1	129907-07900	LIFTER, ENGINE										
67	1	26106-080162	BOLT, M8X 16 PLATED										
68	1	129907-11800	GUIDE, VALVE										1

Remarks

(1)Spare parts.

Fig.5. SUCTION MANIFOLD

(A)=4TNV98-ZNHQM
(B)=
(C)=

(D)=
(E)=
(F)=

No.	Lev.	Parts No.	Description	Q'ty						I	R
				(A)	(B)	(C)	(D)	(E)	(F)		
1	1	129907-12110	GASKET, MANIFOLD	1							
2	1	129927-12150	MANIFOLD ASSY,INTAKE	1							
3	2	129927-12100	MANIFOLD, AIR INTAKE	1							
4	2	26216-060202	STUD, M6X 20		2						
5	1	26106-080452	BOLT, M8X 45 PLATED		6						
6	1	26106-080802	BOLT, M8X 80 PLATED		4						
7	1	119129-77020	GASKET, AIR HEATER	1							
8	1	121850-77021	GASKET, AIR HEATER	1							
9	1	119005-77051	HEATER, AIR	1							
10	1	119129-77520	BEND, INLET	1							
11	1	26106-080402	BOLT, M8X 40 PLATED		2						
12	1	26106-080902	BOLT, M8X 90 PLATED		2						

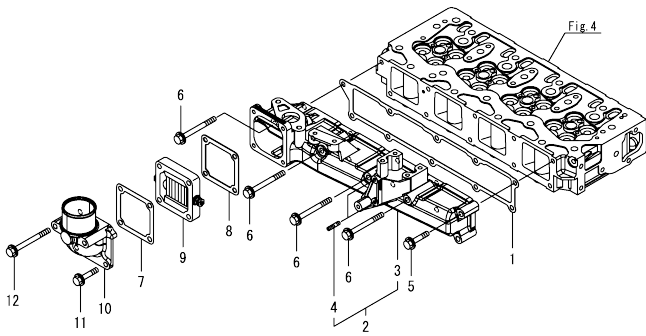
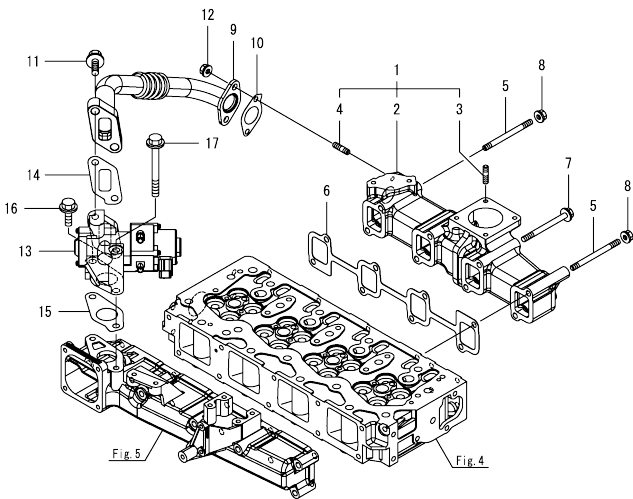


Fig.6. EXHAUST MANIFOLD

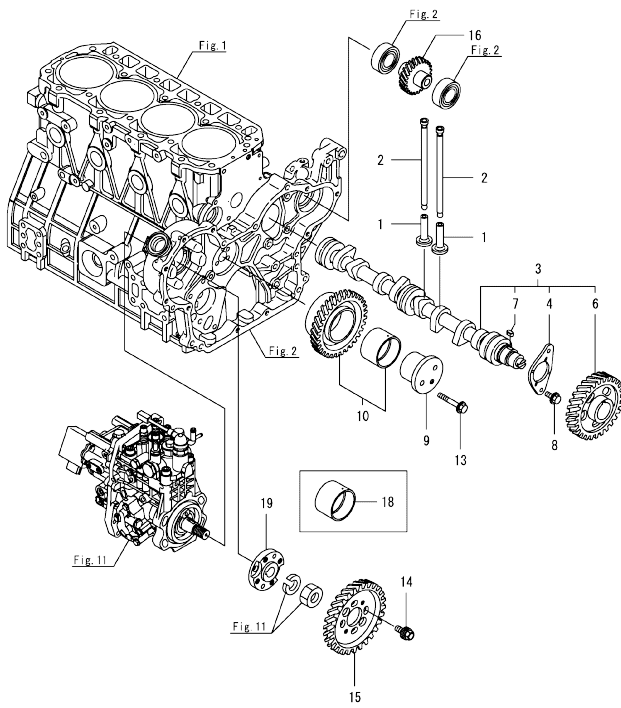


(A)=4TNV98-ZNHQM
(B)=
(C)=

(D)=
(E)=
(F)=

No.	Lev.	Parts No.	Description	Q'ty						I	R
				(A)	(B)	(C)	(D)	(E)	(F)		
1	1	129927-13150	MANIFOLD ASSY	1							
2	2	129927-13101	MANIFOLD, EXHAUST	1							
3	2	119131-18320	STUD, M8X22	4							
4	2	129418-18320	STUD, M8X20	2							
5	1	129263-13210	STUD, M8X90	2							
6	1	129900-13251	GASKET, MANIFOLD	1							
7	1	129E00-13650	BOLT, M8X90 10.9T	6							
8	1	26306-080002	NUT, M8	2							
9	1	129927-13800	PIPE ASSY, EGR	1							
10	1	129927-13810	GASKET, EGR PIPE	1							
11	1	26106-100302	BOLT, M10X 30 PLATED	2							
12	1	26306-080002	NUT, M8	2							
13	1	129928-13900	VALVE, EGR	1							
14	1	129927-13910	GASKET, EGR	1							
15	1	129927-13920	GASKET, EGR	1							
16	1	26106-100302	BOLT, M10X 30 PLATED	1							
17	1	26106-100952	BOLT, M10X 95 PLATED	1							

Fig.7. CAMSHAFT & DRIVING GEAR



(A)=4TNV98-ZNHQM
(B)=
(C)=

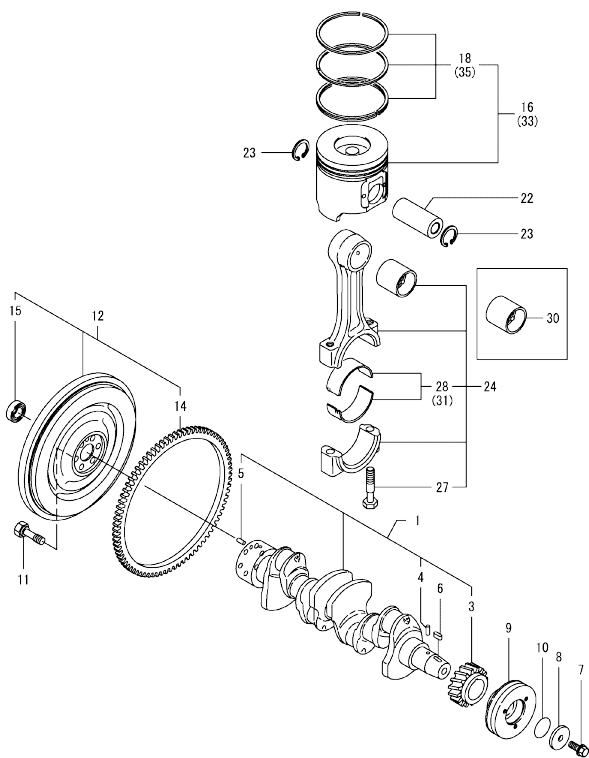
(D)=
(E)=
(F)=

No.	Lev.	Parts No.	Description	Q'ty						I	R
				(A)	(B)	(C)	(D)	(E)	(F)		
1	1	129150-14200	TAPPET	8							
2	1	129907-14400	ROD, PUSH	8							
3	1	129908-14590	CAMSHAFT ASSY	1							
4	2	129150-02450	METAL, THRUST	1							
6	2	129900-14110	GEAR, CAMSHAFT	1							
7	2	22512-070140	KEY, 7X 14	1							
8	1	26106-080142	BOLT, M8X 14 PLATED	2							
9	1	123900-25060	SHAFT, IDLE GEAR	1							
10	1	129927-25110	GEAR ASSY, IDLE	1							
13	1	26106-080552	BOLT, M8X 55 PLATED	3							
14	1	129953-25300	BOLT, PUMP BODY	4							
15	1	129907-25900	GEAR, PUMP	1							
16	1	129900-26030	GEAR ASSY, PUMP	1							
18	1	129927-25920	BUSH, IDLE GEAR	1							1
19	1	158563-51150	FLANGE	1							

Remarks

(1)Spare parts.

Fig.8. CRANKSHAFT & PISTON



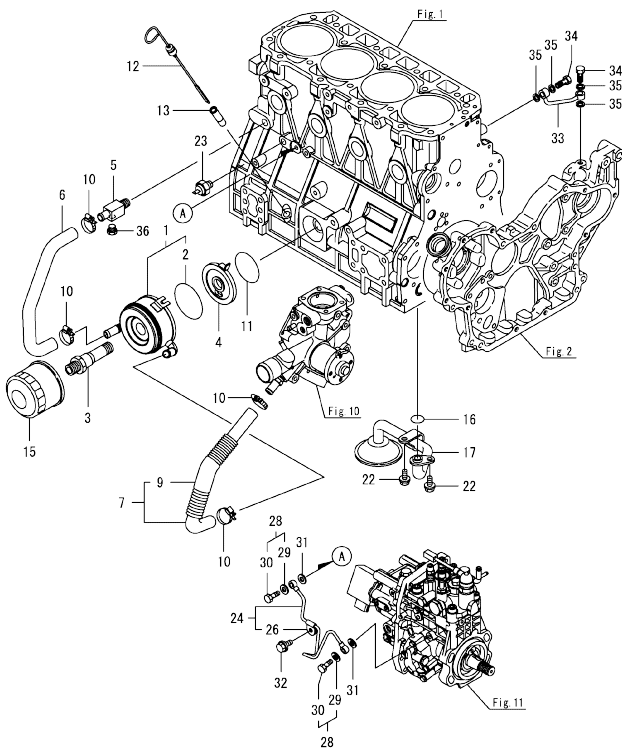
(A)=4TNV98-ZNHQM
(B)=
(C)=

(D)=
(E)=
(F)=

No.	Lev.	Parts No.	Description	Q'ty						I	R
				(A)	(B)	(C)	(D)	(E)	(F)		
1	1	129902-21050	CRANKSHAFT ASSY	1							
3	2	129900-21220	GEAR, CRANKSHAFT	1							
4	2	121850-21290	PIN, CRANK GEAR	1							
5	2	121850-21920	PIN, PARALLEL 10X22	1							
6	1	22512-070140	KEY, 7X 14	1							
7	1	129916-21610	BOLT, V-PULLEY	1							
8	1	129960-21940	WASHER, V-PULLEY	1							
9	1	129907-21650	V-PULLEY, CRANKSHAFT	1							
10	1	129960-21930	GASKET, WASHER	1							
11	1	121850-21130	BOLT, FLYWHEEL	6							
12	1	129921-21580	FLYWHEEL ASSY	1							
14	2	129900-21600	GEAR, RING	1							
15	2	24104-060054	BEARING, BALL 6005UU	1							
16	1	129927-22080	PISTON ASSY	4							
18	2	129927-22050	RING SET, PISTON	4							
22	1	120130-22301	PIN, PISTON	4							
23	1	22252-000300	RING, 30	8							
24	1	129900-23001	ROD ASSY, CONNECTING	4							
27	2	129900-23200	BOLT, CONNECTING ROD	8							
28	2	129927-23600	BEARING ASSY, PIN	4							
30	1	129900-23911	METAL, PISTON PIN	4							1
31	1	129927-23610	BEARING ASSY, PIN US	4							2
33	1	729927-22900	PISTON ASSY, 0.25 OS	4							3
35	2	729927-22950	RING SET, PISTON 25	4							3

Remarks
(1) Spare parts.
(2) Under-sized (U.S.=0.25) parts.
(3) Over-sized (O.S.=0.25) parts.

Fig.9. LUB. OIL SYSTEM



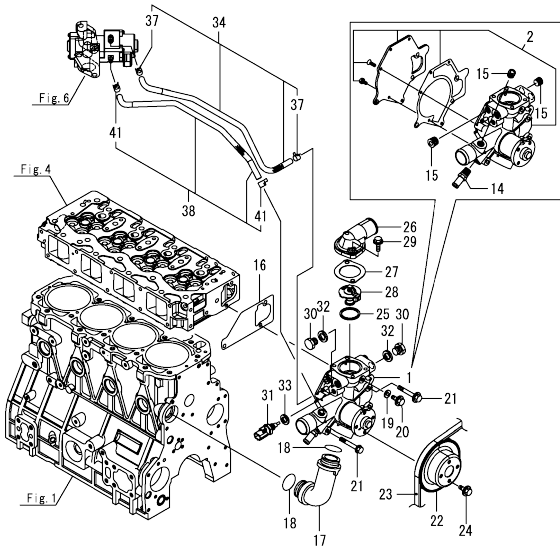
No.	Lev.	Parts No.	Description	Q'ty						I	R
				(A)	(B)	(C)	(D)	(E)	(F)		
1	1	129908-33010	COOLER ASSY, OIL	1							
2	2	123912-33050	O-RING	1							
3	1	123912-33100	BOLT, COOLER	1							
4	1	129908-33101	BRACKET, COOLER	1							
5	1	129006-44480	JOINT, R02	1							
6	1	129908-49060	HOSE, WATER	1							
7	1	123910-49600	HOSE ASSY, WATER	1							
9	2	123910-49610	TUBE, CORRUGATED	1							
10	1	23000-025000	CLAMP, 25	4							
11	1	24321-000600	O-RING, 1AG60.0	1							
12	1	129900-34800	DIPSTICK, OIL	1							
13	1	121520-34810	GUIDE, DIPSTICK	1							
15	1	129150-35153	FILTER ASSY, D80X80L	1							1
16	1	129900-32030	O-RING, P20	1							
17	1	129900-35000	PIPE ASSY, OIL INLET	1							
22	1	26106-080122	BOLT, M8X 12 PLATED	2							
23	1	119761-39450	SWITCH, HYDRAULIC	1							
24	1	129927-39060	PIPE ASSY, OIL	1							
26	2	123907-39500	RETAINER, PIPE	1							
28	1	129005-59830	BOLT ASSY, JOINT M8	2							
29	2	22190-080002	WASHER, SEAL 8	2							
30	2	23857-030000	BOLT, JOINT 3	2							
31	1	22190-080002	WASHER, SEAL 8	2							
32	1	26106-080122	BOLT, M8X 12 PLATED	1							
33	1	129930-39050	PIPE, HO PUMP	1							
34	1	105010-39140	BOLT, PIPE JOINT M8	2							
35	1	22190-080002	WASHER, SEAL 8	4							
36	1	171056-49120	PLUG, DRAIN R1/4	1							

Remarks
(1)Spare parts.

Fig.10. COOLING WATER SYSTEM

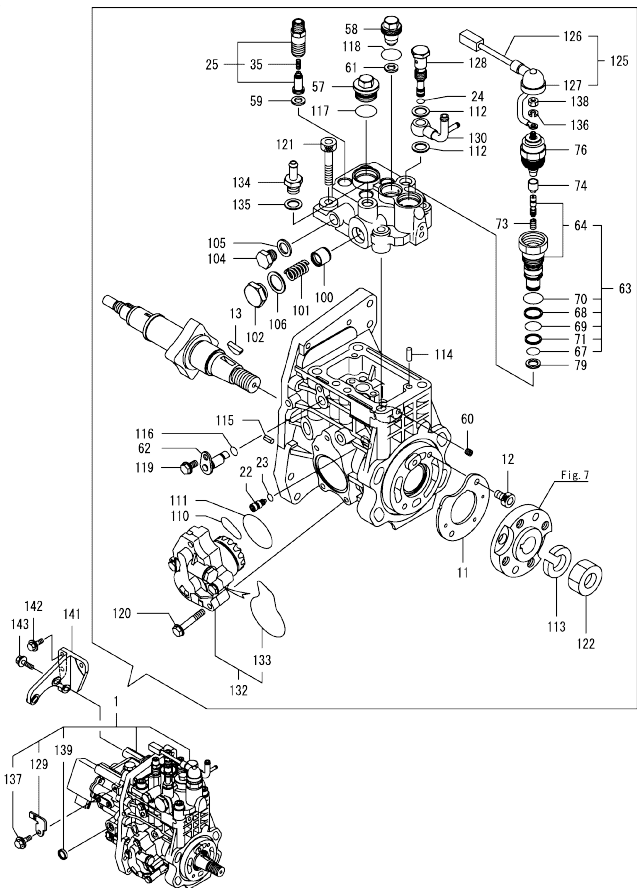
(A)=4TNV98-ZNHQM
(B)=
(C)=

(D)=
(E)=
(F)=



No.	Lev.	Parts No.	Description	Qty						I	R	
				(A)	(B)	(C)	(D)	(E)	(F)			
1	1	129921-42011	PUMP ASSY, CW HIGH	1								
2	2	129973-42030	PUMP ASSY, CW HIGH	1								
14	2	129963-49300	JOINT, D14	1								
15	2	129916-49740	PLUG, R3/8	3								
16	1	129900-42061	GASKET, WATER PUMP	1								
17	1	129900-42070	PIPE, WATER PUMP	1								
18	1	129900-42140	O-RING, P36	2								
19	1	23414-080000	GASKET, 8X1.0	1								
20	1	26106-080122	BOLT, M8X 12 PLATED	1								
21	1	26106-080552	BOLT, M8X 55 PLATED	3								
22	1	129900-42450	V-PULLEY, PUMP	1								
23	1	25132-004800	V-BELT, A48	1								
24	1	26106-080122	BOLT, M8X 12 PLATED	4								
25	1	121850-49550	GASKET, THERMOSTAT	1								
26	1	129900-49551	COVER, THERMOSTAT	1								
27	1	129900-49560	GASKET, COVER	1								
28	1	121850-49811	THERMOSTAT, 71C	1								
29	1	26106-080252	BOLT, M8X 25 PLATED	2								
30	1	121450-42450	PLUG, M16	2								
31	1	129927-44900	SENSOR, TEMPERATURE	1								
32	1	124465-44950	GASKET, 16	2								
33	1	22190-120002	WASHER, SEAL 12	1								
34	1	129938-49650	PIPE ASSY, EGR-V A	1								
37	2	23080-012000	CLAMP, 12	2								
38	1	129938-49660	PIPE ASSY, EGR-V B	1								
41	2	23080-012000	CLAMP, 12	2								

Fig.11. FUEL INJECTION PUMP



(A)=4TNV98-ZNHQM
(B)=
(C)=

(D)=
(E)=
(F)=

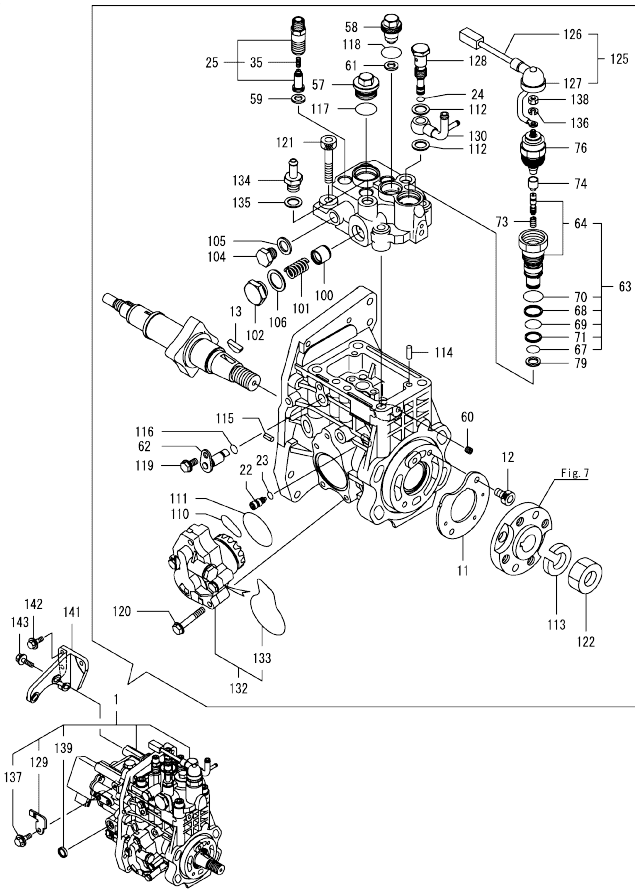
No.	Lev.	Parts No.	Description	Q'ty						I	R
				(A)	(B)	(C)	(D)	(E)	(F)		
1	1	729939-51390	PUMP ASSY, INJECTION	1							1
11	2	129928-51900	COVER, OIL	1							
12	2	129008-51920	BOLT, M6X10	2							
13	2	144626-51090	KEY, FEATHER 5X19	1							
22	2	158600-51270	STOPPER, TAPPET	1							
23	2	158563-51281	O-RING, 4D S6	1							
24	2	158563-51281	O-RING, 4D S6	1							
25	2	129927-51390	VALVE ASSY, DELIVERY	4							
35	3	158563-51330	SPRING, DELIVERY	4							
57	2	158601-51550	PLUG, M22	1							
58	2	129907-51560	PLUG, M16	1							
59	2	158552-51571	GASKET, BARREL PLUG	4							
60	2	158557-51570	PLUG, RACK	1							
61	2	129906-51580	GASKET, BARREL PLUG	1							
62	2	158552-51580	LIFTER, LINK	1							
63	2	129657-51590	TIMER ASSY	1							
64	3	129657-51600	TIMER ASSY	1							
67	3	158553-51670	O-RING, PUMP TIMER	1							
68	3	119802-51680	RING, BACKUP	1							
69	3	119802-51690	O-RING, 1016	1							
70	3	24356-190200	O-RING, 4D19020	1							
71	3	24372-000150	RING, BACK UP T2P15	1							
73	2	119852-51630	SPRING, TIMER	1							
74	2	119852-51640	CAP, TIMER	1							
76	2	119852-51650	VALVE ASSY, SOLENOID	1							
79	2	158553-51680	GASKET, TIMER	1							
100	2	158601-51770	PISTON, ACCUMULATOR	1							
101	2	158552-51781	SPRING, ACCUMULATOR	1							
102	2	158601-51790	PLUG, ACCUMULATOR	1							
104	2	158553-51930	PLUG, M12	1							
105	2	22190-120002	WASHER, SEAL 12	1							
106	2	22190-180002	WASHER, SEAL 18	1							
110	2	158552-52311	O-RING, FEED PUMP	1							
111	2	158552-52400	O-RING, 4E S42	1							
112	2	22190-120002	WASHER, SEAL 12	2							
113	2	22217-180000	WASHER, SPRING 18	1							
114	2	22312-050140	PIN, PARALLEL 5X14	2							
115	2	22351-050010	PIN, SPRING 5.0X10	2							
116	2	24311-000070	O-RING, 1AP7.0	1							
117	2	24356-190200	O-RING, 4D19020	1							
118	2	24356-240210	O-RING, 4D24021	1							
119	2	26106-060102	BOLT, M6X 10 PLATED	1							
120	2	26106-060352	BOLT, M6X 35 PLATED	4							
121	2	26450-100452	BOLT, M10X 45	4							
122	2	26776-180002	NUT, LOCK M18	1							
125	2	129927-51650	HARNES ASSY, WIRE	1							
126	3	129927-51660	HARNES	1							
127	3	129263-77941	CAP, RUBBER	1							
128	2	158601-51650	JOINT, OVERFLOW	1							
129	2	129927-51670	BRACKET	1							
130	2	158552-51670	JOINT, OVERFLOW	1							

Remarks

(1)Governor(Fig.12) is incorporated in this Fuel Injection Pump(No.1).

N:Old $\frac{New}{Old}$ New, Q:Old $\frac{New}{Old}$ New, R:Old $\frac{New}{Old}$ New, S:Old $\frac{New}{Old}$ New, W:Add, Z:Discontinued, F:Interchangeable by set, K:Q'ty Change
 ++ CONTINUE ++ Copyright (C) 2018 YANMAR GLOBAL CS CO., LTD. All Rights Reserved.

Fig.11. FUEL INJECTION PUMP



(A)=4TNV98-ZNHQM
(B)=
(C)=

(D)=
(E)=
(F)=

No.	Lev.	Parts No.	Description	Q'ty						I	R
				(A)	(B)	(C)	(D)	(E)	(F)		
132	2	158552-52100	PUMP ASSY, FUEL FEED	1							
133	3	158552-52500	O-RING, PUMP INNER	1							
134	2	119934-59910	JOINT, PIPE	1							
135	2	22190-120002	WASHER, SEAL 12	1							
136	2	22217-050000	WASHER, SPRING 5	1							
137	2	26106-060122	BOLT, M6X 12 PLATED	1							
138	2	26716-050002	NUT, M5	1							
139	2	27241-160000	PLUG, 16	1							
141	1	129927-51250	RETAINER, FUEL PUMP	1							
142	1	26106-080202	BOLT, M8X 20 PLATED	3							
143	1	26106-080302	BOLT, M8X 30 PLATED	3							

Remarks

(1)Governor(Fig.12) is incorporated in this Fuel Injection Pump(No.1).

OCD50-M04020 ENGINE
 Fig.12. GOVERNOR

OCD50-M04020 Fig.12

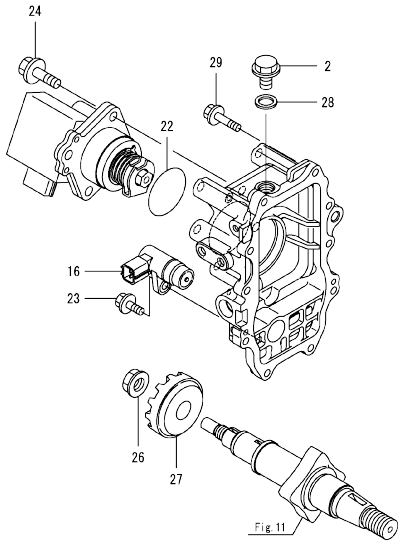


Fig.11

(A)=4TNV98-ZNHQM
 (B)=
 (C)=

(D)=
 (E)=
 (F)=

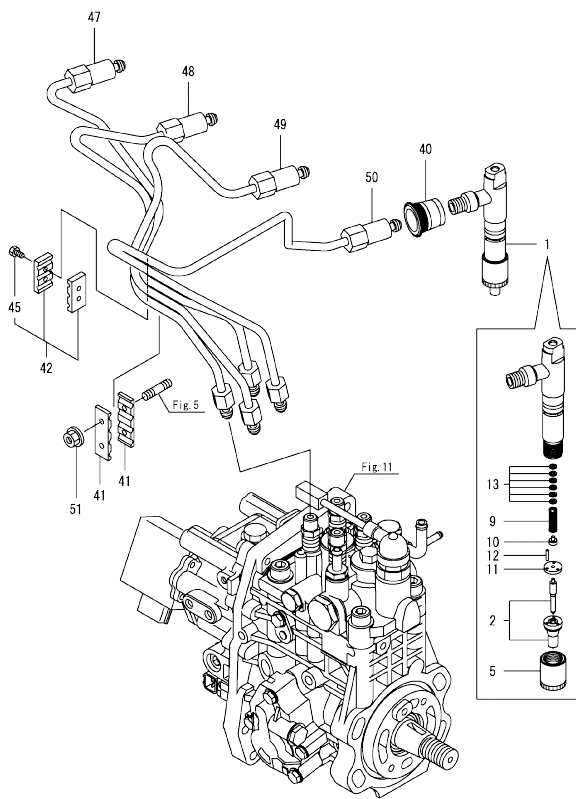
No.	Lev.	Parts No.	Description	Q'ty						I	R
				(A)	(B)	(C)	(D)	(E)	(F)		
2	2	158553-51930	PLUG, M12	1							
16	2	158557-61720	SENSOR, ROTATION	1							
22	2	24341-000480	O-RING, 1AS48.0	1							
23	2	26106-060162	BOLT, M6X 16 PLATED	1							
24	2	26106-080252	BOLT, M8X 25 PLATED	3							
26	2	129008-61301	NUT, SUPPORT	1							
27	2	158553-61780	GEAR, SENSOR	1							
28	2	22190-120002	WASHER, SEAL 12	1							
29	2	26106-060252	BOLT, M6X 25 PLATED	10							

Remarks

* This figure(Governor) is incorporated in the Fuel Injection Pump(Fig.11).

N:Old $\frac{100}{100}$ New, Q:Old $\frac{100}{100}$ New, R:Old $\frac{100}{100}$ New, S:Old $\frac{100}{100}$ New, W:Add, Z:Discontinued, F:Interchangeable by set, K:Q'ty Change
 Copyright (C) 2018 YANMAR GLOBAL CS CO., LTD. All Rights Reserved.

Fig.13. FUEL INJECTION VALVE



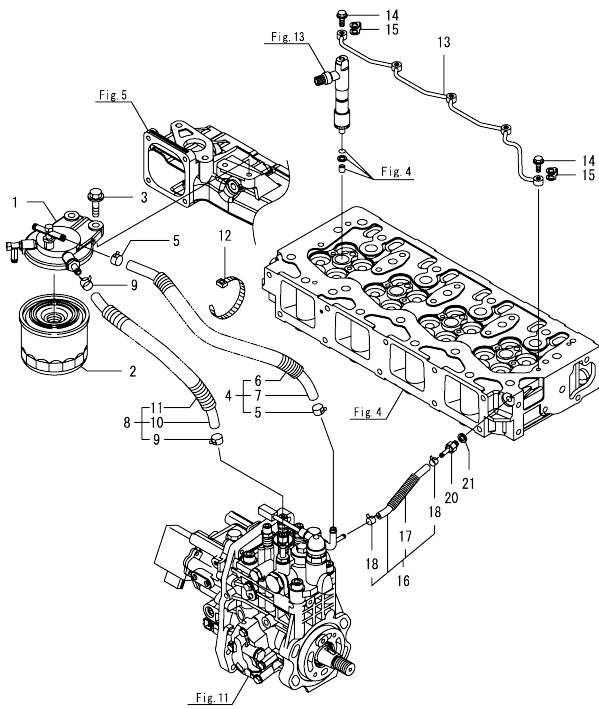
(A)=4TNV98-ZNHQM
(B)=
(C)=

(D)=
(E)=
(F)=

No.	Lev.	Parts No.	Description	Q'ty						I	R
				(A)	(B)	(C)	(D)	(E)	(F)		
1	1	729927-53100	VALVE ASSY,INJECTION	4							
2	2	129927-53000	VALVE ASSY,INJECTION	4							
5	2	114250-53080	NUT, NOZZLE	4							
9	2	114250-53120	SPRING, NOZZLE	4							
10	2	114250-53130	SEAT, SPRING	4							
11	2	114250-53140	SPACER, VALVE STOP	4							
12	2	114250-53210	PIN, POSITIONING	8							
13	2	119803-53400	SHIM SET	4							1
40	1	123907-11601	SEAL, PIPE	4							
41	1	123472-59120	RETAINER, PIPE	2							
42	1	129150-59120	RETAINER, PIPE	1							
45	2	129150-59131	BOLT, M4X14	2							
47	1	129927-59810	PIPE ASSY, INJECTION	1							
48	1	129927-59820	PIPE ASSY, INJECTION	1							
49	1	129927-59830	PIPE ASSY, INJECTION	1							
50	1	129927-59840	PIPE ASSY, INJECTION	1							
51	1	26366-060002	NUT, M6	2							

Remarks
(1)Spare parts.

Fig.14. FUEL PIPE

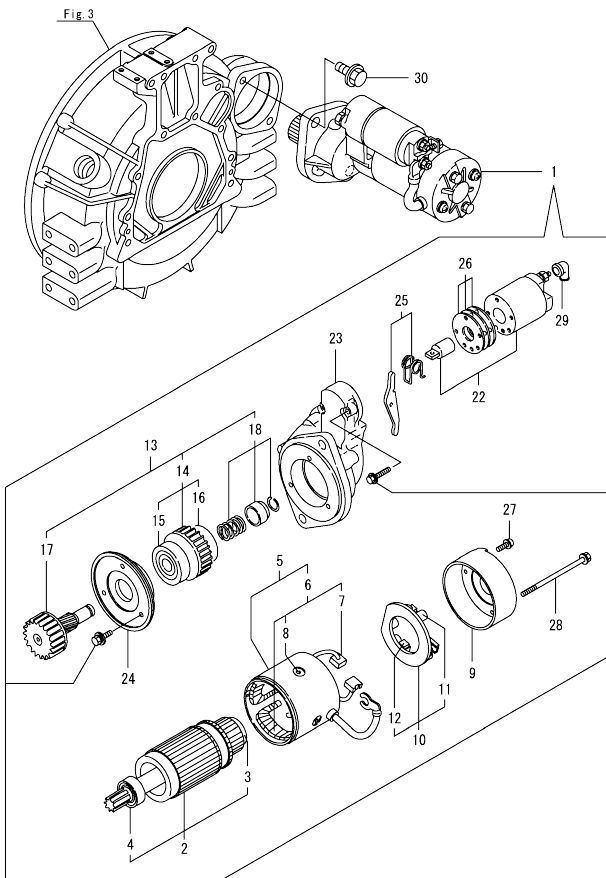


(A)=4TNV98-ZNHQM
(B)=
(C)=

(D)=
(E)=
(F)=

No.	Lev.	Parts No.	Description	Q'ty						I	R
				(A)	(B)	(C)	(D)	(E)	(F)		
1	1	129004-55612	BRACKET, FILTER	1							
2	1	119802-55801	FILTER, FUEL	1							
3	1	26106-080302	BOLT, M8X 30 PLATED	2							
4	1	129457-59010	HOSE ASSY, FUEL	1							
5	2	124766-59050	CLAMP, HOSE 11.5	2							
6	2	129957-59120	TUBE, CORRUGATED 15	1							
7	2	105025-59750	HOSE, FUEL	1							
8	1	129961-59310	HOSE ASSY, FUEL	1							
9	2	124766-59050	CLAMP, HOSE 11.5	2							
10	2	129136-59110	HOSE, D13/7.5X270	1							
11	2	129961-59110	TUBE, CORRUGATED 15	1							
12	1	121750-59890	BAND, NYLON	1							
13	1	129907-59140	PIPE ASSY, RETURN	1							
14	1	123907-59540	BOLT, PIPE JOINT M6	5							
15	1	123907-59550	GASKET, FUEL RETURN	5							
16	1	129927-59550	HOSE ASSY RETURN	1							
17	2	129263-49750	TUBE, CORRUGATED	1							
18	2	124722-59050	CLAMP, HOSE 9	2							
20	1	123907-59560	JOINT, HOSE	1							
21	1	22190-080002	WASHER, SEAL 8	1							

Fig.15. STARTER MOTOR



No.	Lev.	Parts No.	Description	Q'ty						I	R
				(A)	(B)	(C)	(D)	(E)	(F)		
1	1	129900-77040	STARTER, 12V 2.3KW	1							
2	2	129900-77120	ARMATURE ASSY	1							
3	3	171008-77410	BEARING, BALL 1	1							
4	3	171008-77420	BEARING, BALL 2	1							
5	2	129900-77130	YOKE ASSY	1							
6	3	129900-77140	COIL ASSY, FIELD	1							
7	4	129900-77450	BRUSH, +	2							
8	4	171008-77450	SCREW, CORE SET	4							
9	2	129900-77150	COVER, REAR	1							
10	2	129900-77160	HOLDER ASSY, BRUSH	1							
11	3	X2130631300	SPRING, BRUSH	4							
12	3	129900-77450	BRUSH, +	2							
13	2	129900-77170	CLUTCH ASSY, PINION	1							
14	3	129900-77180	CLUTCH ASSY	1							
15	4	129900-77190	BEARING, BALL 4	1							
16	4	X2114955020	BEARING, BALL	1							
17	3	129900-77270	SHAFT, PINION	1							
18	3	171008-77670	STOPPER SET, PINION	1							
22	2	129900-77280	SWITCH ASSY, MAGNET	1							
23	2	129900-77290	CASE, GEAR	1							
24	2	129900-77380	RETAINER, BEARING	1							
25	2	129900-77390	LEVER ASSY, SHIFT	1							
26	2	129900-77420	COVER KIT, DUST	1							
27	2	129900-77430	SCREW, M4X10	2							
28	2	129685-77640	BOLT, THROUGH	2							
29	2	171008-77750	COVER, TERMINAL	1							
30	1	26106-120252	BOLT, M12X 25 PLATED	2							

Fig.16. GENERATOR

(A)=4TNV98-ZNHQM
(B)=
(C)=

(D)=
(E)=
(F)=

No.	Lev.	Parts No.	Description	Q'ty						I	R
				(A)	(B)	(C)	(D)	(E)	(F)		
1	1	129908-77200	ALTERNATOR, 12V	1							
9	1	129908-77220	BOLT, STOPPER M10	1							
10	1	129908-77360	PIECE, DISTANCE	1							
11	1	26306-100002	NUT, M10	1							
12	1	129916-77300	ADJUSTER, BELT	1							
13	1	119810-77340	BOLT, ADJUSTER L=30	1							
14	1	26014-080252	BOLT, M8X 25	1							

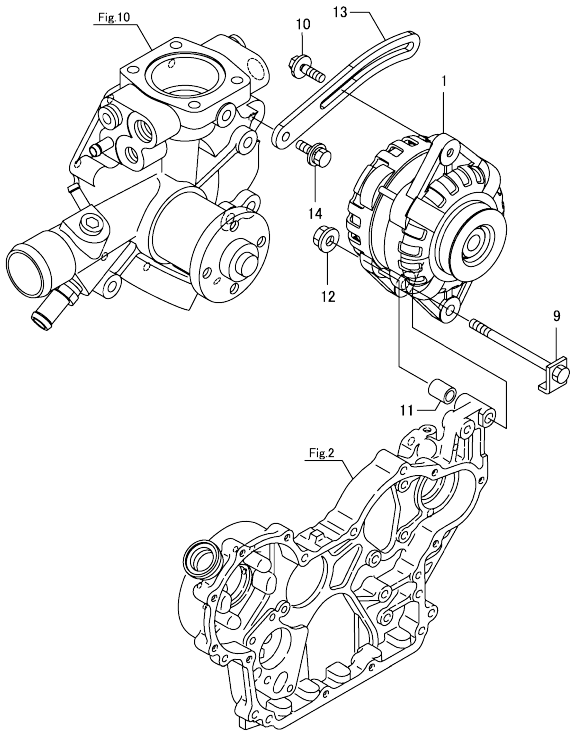
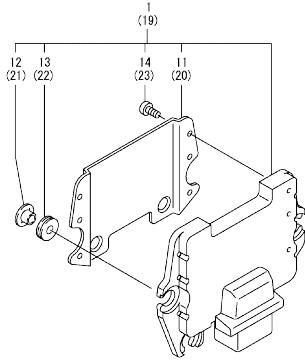


Fig.17. ELECTRONIC CONTROL UNIT(ECU)



(A)=4TNV98-ZNHQM
(B)=
(C)=

(D)=
(E)=
(F)=

No.	Lev.	Parts No.	Description	Q'ty						
				(A)	(B)	(C)	(D)	(E)	(F)	
1	1	129923-75200	ECU ASSY,498-ZNHQM	1						1
11	2	129927-77600	SHIELD, ECU	1						
12	2	129927-77680	COLLAR, CONTROLLER	3						
13	2	119578-91351	RUBBER, CONTROLLER	3						
14	2	22877-500080	SCREW, 5X 8	6						
19	1	129927-75901	ECU ASSY, SERVICE	1						2
20	2	129927-77600	SHIELD, ECU	1						
21	2	129927-77680	COLLAR, CONTROLLER	3						
22	2	119578-91351	RUBBER, CONTROLLER	3						
23	2	22877-500080	SCREW, 5X 8	6						

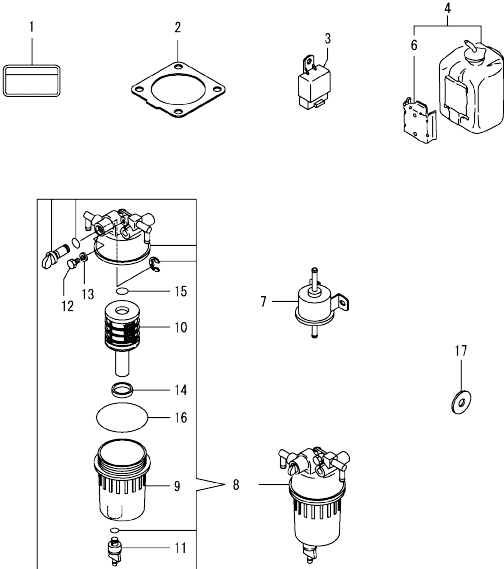
Remarks

- (1)Eco ECU
This part cannot be ordered.
- Replace the part using a Service ECU with the proper engine information installed.
- (2)Service ECU
If the proper information is not installed, the engine will not operate.
- To install proper information, go to an authorized distributor.

Fig.18. ACCESSORY

(A)=4TNV98-ZNHQM
(B)=
(C)=

(D)=
(E)=
(F)=



No.	Lev.	Parts No.	Description	Q'ty					
				(A)	(B)	(C)	(D)	(E)	(F)
1	1	114110-07761	LABEL, FUEL CAUTION	1					
2	1	129930-13201	GASKET, SILENCER	1					
3	1	172B02-17150	RELAY, CA TYPE C	3					
4	1	720445-44200	TANK ASSY, SUB	1					
6	2	120445-44540	BRACKET, SUB TANK	1					
7	1	119225-52102	PUMP, FUEL FEED	1					
8	1	129242-55701	SEPARATOR ASSY,WATER	1					
9	2	129242-55720	CUP, SEPARATOR	1					
10	2	129242-55730	ELEMENT, FUEL FILTER	1					
11	2	129242-55740	PLUG, DRAIN	1					
12	2	129242-55750	VALVE, AIR VENT	1					
13	2	129242-55760	GASKET, PLUG	1					
14	2	129242-55770	FLOAT	1					
15	2	24311-000160	O-RING, 1AP16.0	1					
16	2	24321-000750	O-RING, 1AG75.0	1					
17	1	129927-77690	WASHER, ECU	3					

Parts No. Index

Parts No.	Fig. No.	Ref. No.
105010-39140	9	34
105025-59750	14	7
114110-07761	18	1
114250-53080	13	5
114250-53120	13	9
114250-53130	13	10
114250-53140	13	11
114250-53210	13	12
119005-77051	5	9
119129-77020	5	7
119129-77520	5	10
119131-18320	6	3
119225-52102	18	7
119578-91351	17	13
		22
119593-11301	4	27
119620-01750	3	3
119620-11180	4	12
119625-11880	4	23
119640-01640	3	8
119640-61400	4	58
119761-39450	9	23
119802-11870	4	22
119802-51680	11	68
119802-51690	11	69
119802-55801	14	2
119803-11340	4	13
119803-53400	13	13
119810-77340	16	13
119852-51630	11	73
119852-51640	11	74
119852-51650	11	76
119934-59910	11	134
120130-22301	8	22
120445-44540	18	6
121450-42450	10	30
121520-34810	9	13
121750-59890	14	12
121850-21130	8	11
121850-21290	8	4
121850-21920	8	5
121850-49550	10	25
121850-49811	10	28
121850-77021	5	8
123472-59120	13	41
123900-25060	7	9
123907-03100	4	52
123907-03110	4	53
123907-03120	4	54
123907-03140	4	55

Parts No.	Fig. No.	Ref. No.
123907-11280	4	32
123907-11550	4	1
123907-11601	13	40
123907-11820	4	19
123907-11830	4	18
123907-39500	9	26
123907-59540	14	14
123907-59550	14	15
123907-59560	14	20
123910-49600	9	7
123910-49610	9	9
123912-33050	9	2
123912-33100	9	3
124160-01751	2	28
	4	47
124160-11340	4	14
124160-11360	4	63
124465-44950	10	32
124722-59050	14	18
124766-59050	14	5
		9
129004-55612	14	1
129005-59830	9	28
129006-44480	9	5
129008-51920	11	12
129008-61301	12	26
129100-01580	2	1
	3	1
129136-59110	14	10
129150-02450	7	4
129150-11230	4	35
		39
129150-11750	4	17
		36
		40
129150-14200	7	1
129150-35153	9	15
129150-59120	13	42
129150-59131	13	45
129242-55701	18	8
129242-55720	18	9
129242-55730	18	10
129242-55740	18	11
129242-55750	18	12
129242-55760	18	13
129242-55770	18	14
129263-13210	6	5
129263-49750	14	17
129263-77941	11	127
129418-18320	6	4

Parts No.	Fig. No.	Ref. No.
129457-59010	14	4
129657-51590	11	63
129657-51600	11	64
129685-77640	15	28
129900-01200	1	27
129900-01250	1	4
129900-01850	2	40
129900-01870	2	41
129900-02020	1	6
129900-02410	1	9
129900-13251	6	6
129900-14110	7	6
129900-14140	2	16
129900-21220	8	3
129900-21600	8	14
129900-23001	8	24
129900-23200	8	27
129900-23911	8	30
129900-26030	7	16
129900-26250	2	17
129900-32001	2	4
129900-32030	2	18
	9	16
129900-32040	2	19
129900-34800	9	12
129900-35000	9	17
129900-42061	10	16
129900-42070	10	17
129900-42140	10	18
129900-42450	10	22
129900-49551	10	26
129900-49560	10	27
129900-77040	15	1
129900-77120	15	2
129900-77130	15	5
129900-77140	15	6
129900-77150	15	9
129900-77160	15	10
129900-77170	15	13
129900-77180	15	14
129900-77190	15	15
129900-77270	15	17
129900-77280	15	22
129900-77290	15	23
129900-77380	15	24
129900-77390	15	25
129900-77420	15	26
129900-77430	15	27
129900-77450	15	7
		12

Parts No.	Fig. No.	Ref. No.
129902-01710	3	7
129902-21050	8	1
129906-51580	11	61
129907-01331	1	28
129907-03011	4	49
129907-03061	4	50
129907-03070	4	51
129907-07900	4	66
129907-11100	4	9
129907-11110	4	10
129907-11120	4	11
129907-11250	4	29
129907-11260	4	30
129907-11270	4	31
129907-11341	4	28
129907-11510	4	15
129907-11650	4	33
129907-11660	4	37
129907-11800	4	68
129907-11910	4	24
129907-11920	4	41
129907-11950	4	25
129907-12110	5	1
129907-14400	7	2
129907-21650	8	9
129907-25900	7	15
129907-51560	11	58
129907-59140	14	13
129908-14590	7	3
129908-33010	9	1
129908-33101	9	4
129908-49060	9	6
129908-77200	16	1
129908-77220	16	9
129908-77360	16	10
129916-01790	3	6
129916-01800	2	39
129916-21610	8	7
129916-49740	10	15
129916-77300	16	12
129921-21580	8	12
129921-42011	10	1
129923-75200	17	1
129927-02340	1	32
129927-02930	1	24
129927-02940	1	35
129927-11320	4	48
129927-11700	4	2
129927-12100	5	3
129927-12150	5	2

Parts No. Index

Parts No.	Fig. No.	Ref. No.
129927-13101	6	2
129927-13150	6	1
129927-13800	6	9
129927-13810	6	10
129927-13910	6	14
129927-13920	6	15
129927-22050	8	18
129927-22080	8	16
129927-23600	8	28
129927-23610	8	31
129927-25110	7	10
129927-25920	7	18
129927-39060	9	24
129927-44900	10	31
129927-51250	11	141
129927-51390	11	25
129927-51650	11	125
129927-51660	11	126
129927-51670	11	129
129927-53000	13	2
129927-59550	14	16
129927-59810	13	47
129927-59820	13	48
129927-59830	13	49
129927-59840	13	50
129927-75901	17	19
129927-77600	17	11
		20
129927-77680	17	12
		21
129927-77690	18	17
129928-13900	6	13
129928-51900	11	11
129930-01870	2	34
129930-13201	18	2
129930-39050	9	33
129933-11310	4	57
129938-49650	10	34
129938-49660	10	38
129951-01740	2	30
129953-25300	7	14
129957-59120	14	6
129960-21930	8	10
129960-21940	8	8
129961-59110	14	11
129961-59310	14	8
129963-01500	2	3
129963-49300	10	14
129973-42030	10	2
129981-01600	3	2

Parts No.	Fig. No.	Ref. No.
129E00-13650	6	7
144626-51090	11	13
158552-51571	11	59
158552-51580	11	62
158552-51670	11	130
158552-51781	11	101
158552-52100	11	132
158552-52311	11	110
158552-52400	11	111
158552-52500	11	133
158553-51670	11	67
158553-51680	11	79
158553-51930	11	104
	12	2
158553-61780	12	27
158557-51570	11	60
158557-61720	12	16
158563-51150	7	19
158563-51281	11	23
		24
158563-51330	11	35
158600-51270	11	22
158601-51550	11	57
158601-51650	11	128
158601-51770	11	100
158601-51790	11	102
171008-77410	15	3
171008-77420	15	4
171008-77450	15	8
171008-77670	15	18
171008-77750	15	29
171051-01921	1	5
171056-49120	9	36
172B02-17150	18	3
175339-79700	4	59
22190-080002	9	29
		31
		35
	14	21
22190-120002	10	33
	11	105
		112
		135
	12	28
22190-180002	11	106
22190-220002	3	10
22217-050000	11	136
22217-180000	11	113
22252-000300	8	23
22312-050140	11	114

Parts No.	Fig. No.	Ref. No.
22351-050010	11	115
22351-060012	1	11
22512-070140	7	7
	8	6
22857-500100	4	60
		61
22877-500080	17	14
		23
23000-025000	9	10
23080-012000	10	37
		41
23414-080000	10	19
23857-030000	9	30
23876-020000	4	6
23876-030000	1	12
		13
		14
	4	7
24104-060054	8	15
24311-000070	11	116
24311-000120	4	26
		64
24311-000160	18	15
24311-000320	2	29
	4	65
	9	11
24321-000600	18	16
24321-000750	2	35
24321-000850	12	22
24341-000480	2	20
24351-030750	11	70
24356-190200		117
	11	118
24356-240210	11	71
24372-000150	10	23
25132-004800	16	14
26014-080252	11	119
26106-060102	4	62
26106-060122	11	137
	12	23
26106-060162	12	29
26106-060252	11	120
26106-060352	3	11
26106-080122	9	22
		32
	10	20
		24
26106-080142	7	8
26106-080162	2	22
		42

Parts No.	Fig. No.	Ref. No.
26106-080162	4	67
26106-080202	2	23
		31
	11	142
26106-080252	10	29
	12	24
26106-080302	11	143
	14	3
26106-080402	2	43
	4	43
	5	11
26106-080452	2	25
		32
	5	5
26106-080552	7	13
	10	21
26106-080602	4	44
		45
26106-080702	2	44
26106-080752	2	33
26106-080802	5	6
26106-080902	5	12
26106-100202	2	36
26106-100302	6	11
		16
26106-100952	6	17
26106-120252	15	30
26206-100352	3	4
26206-100702	3	5
26216-060202	5	4
26216-100302	2	15
26226-080222	4	42
26306-080002	4	46
	6	8
		12
26306-100002	2	27
		16
26366-060002	13	51
26450-100452	11	121
26716-050002	11	138
26776-180002	11	122
27241-160000	11	139
27241-300000	1	10
27241-400000	4	8
27310-070001	4	20
720445-44200	18	4
729907-01559	2	37
729927-01560	1	1
729927-02800	1	29
729927-22900	8	33

Parts No. Index

Parts No.	Fig. No.	Ref. No.
729927-22950	8	35
729927-53100	13	1
729939-51390	11	1
X2114955020	15	16
X2130631300	15	11

Parts No.	Fig. No.	Ref. No.
-----------	----------	----------

Parts No.	Fig. No.	Ref. No.
-----------	----------	----------

Parts No.	Fig. No.	Ref. No.
-----------	----------	----------