

0CD50-M01810EN

P R E F A C E

This parts catalog is the 1st edition of 4TNV98-ZNAS for AICHI.

Published : November, 2015

Contents

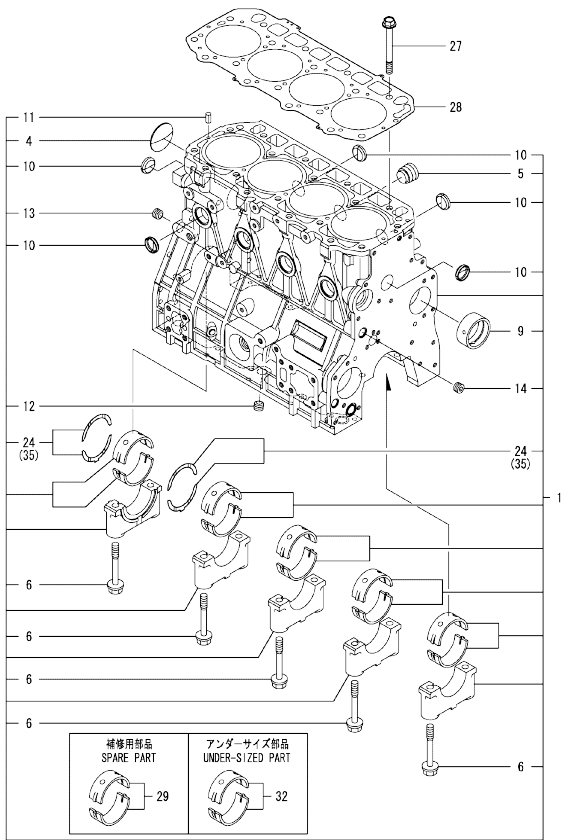
OCD50-M01810

Fig. No.	Fig. Name	Fig. No.	Fig. Name
ENGINE			
1.	CYLINDER BLOCK		
2.	GEAR HOUSING		
3.	FLYWHEEL HOUSING & OIL SUMP		
4.	CYLINDER HEAD & BONNET		
5.	SUCTION MANIFOLD & AIR CLEANER		
6.	EXHAUST MANIFOLD & SILENCER		
7.	CAMSHAFT & DRIVING GEAR		
8.	CRANKSHAFT & PISTON		
9.	LUB. OIL SYSTEM		
10.	COOLING WATER SYSTEM		
11.	FUEL INJECTION PUMP		
12.	GOVERNOR		
13.	FUEL INJECTION VALVE		
14.	FUEL PIPE		
15.	STARTER MOTOR		
16.	GENERATOR		
17.	ELECTRONIC CONTROL UNIT(ECU)		
18.	GASKET SET		

Fig.1. CYLINDER BLOCK

(A)=4TNV98-ZNAS
(B)=
(C)=

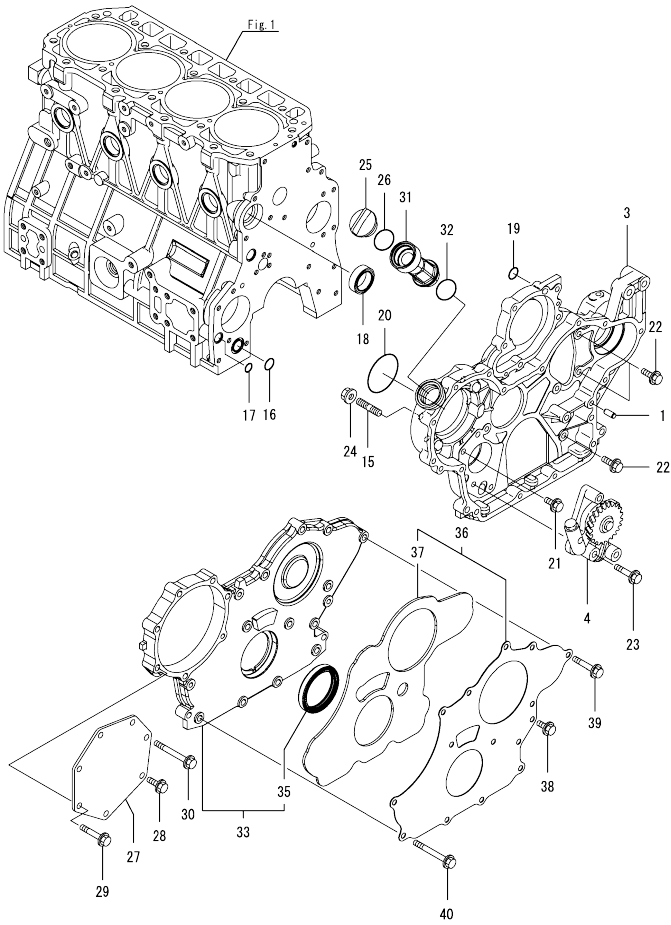
(D)=
(E)=
(F)=



No.	Lev.	Parts No.	Description	Q'ty						I	R
				(A)	(B)	(C)	(D)	(E)	(F)		
1	1	729927-01560	BLOCK ASSY, CYLINDER	1							
4	2	129900-01250	PLUG, DISH TYPE 55	1							
5	2	171051-01921	PLUG, NPTF1	1							
6	2	129900-02020	BOLT, METAL CAP	10							
9	2	129900-02410	BUSH, CAMSHAFT	1							
10	2	27241-300000	PLUG 30	8							
11	2	22351-060012	PIN, SPRING 6.0X12	2							
12	2	23876-030000	PLUG, R03	1							
13	2	23876-030000	PLUG, R03	1							
14	2	23876-030000	PLUG, R03	1							
24	2	129900-02931	BEARING ASSY, THRUST	2							
27	1	129900-01200	BOLT, CYLINDER HEAD	18							
28	1	129907-01331	GASKET, HEAD	1							
29	1	729900-02801	BEARING, MAIN	5							1
32	1	129900-02341	BEARING ASSY, MAIN	5							2
35	1	129900-02941	BEARING, THRUST 0.25	2							3

Remarks
 (1) Spare parts.
 (2) Under-sized (U.S.=0.25) parts.
 (3) Over-sized (O.S.=0.25) parts.

Fig.2. GEAR HOUSING

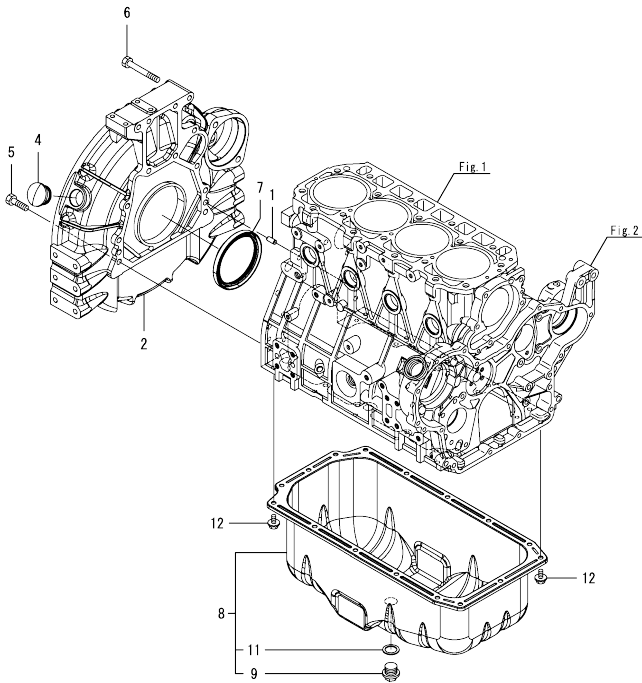


(A)=4TNV98-ZNAS
(B)=
(C)=

(D)=
(E)=
(F)=

No.	Lev.	Parts No.	Description	Qty						I	R
				(A)	(B)	(C)	(D)	(E)	(F)		
1	1	129100-01580	PIN, PARALLEL 8X16	4							
3	1	129944-01500	CASE, GEAR	1							
4	1	129900-32001	PUMP ASSY, OIL	1							
15	1	26216-100302	STUD, M10X 30	4							
16	1	129900-32030	O-RING, P20	1							
17	1	129900-32040	O-RING, P14	1							
18	1	129927-42140	GASKET, CW-P OUT	1							
19	1	24311-000070	O-RING, 1AP7.0	1							
20	1	24351-030750	O-RING, 1A3075	1							
21	1	26106-080162	BOLT, M8X 16 PLATED	1							
22	1	26106-080202	BOLT, M8X 20 PLATED	3							
23	1	26106-080452	BOLT, M8X 45 PLATED	3							
24	1	26306-100002	NUT, M10	4							
25	1	124160-01751	CAP, FILLER	1							
26	1	24311-000320	O-RING, 1AP32.0	1							
27	1	129951-01740	COVER	1							
28	1	26106-080202	BOLT, M8X 20 PLATED	1							
29	1	26106-080452	BOLT, M8X 45 PLATED	5							
30	1	26106-080752	BOLT, M8X 75 PLATED	1							
31	1	171031-11741	PIPE, FILLER	1							
31-1	1	121027-11743	PIPE, FILLER	1							N
(A=EW3666)											
32	1	24311-000320	O-RING, 1AP32.0	1							
33	1	729907-01559	COVER ASSY,GEAR CASE	1							
35	2	129916-01800	SEAL, OIL	1							
36	1	129900-01850	COVER ASSY,GEAR CASE	1							
37	2	129900-01870	SPONGE, GEAR CASE	1							
38	1	26106-080162	BOLT, M8X 16 PLATED	3							
39	1	26106-080402	BOLT, M8X 40 PLATED	5							
40	1	26106-080702	BOLT, M8X 70 PLATED	6							

Fig.3. FLYWHEEL HOUSING & OIL SUMP

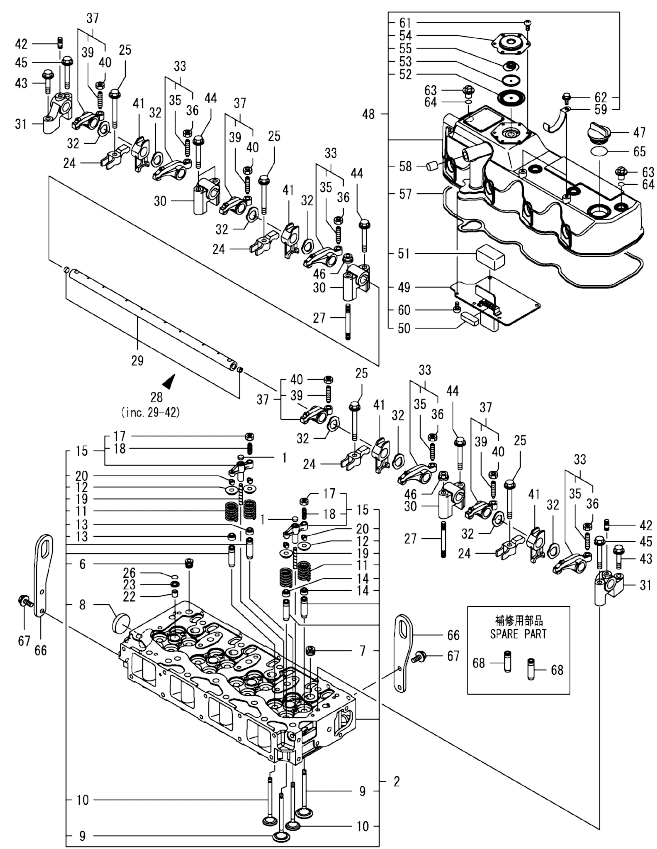


(A)=4TNV98-ZNAS
(B)=
(C)=

(D)=
(E)=
(F)=

No.	Lev.	Parts No.	Description	Q'ty						I	R
				(A)	(B)	(C)	(D)	(E)	(F)		
1	1	129100-01580	PIN, PARALLEL 8X16	2							
2	1	129900-01620	HOUSING, FLYWHEEL	1							
4	1	119620-01750	CAP	1							
5	1	26206-100352	BOLT, M10X 35 PLATED	9							
6	1	26206-100702	BOLT, M10X 70 PLATED	4							
7	1	129916-01790	SEAL, D115/95XT11	1							
8	1	129916-01710	OIL PAN ASSY	1							
9	2	119640-01640	PLUG, DRAIN M22	1							
11	2	22190-220002	WASHER, SEAL 22	1							
12	1	26106-080122	BOLT, M8X 12 PLATED	16							

Fig.4. CYLINDER HEAD & BONNET



(A)=4TNV98-ZNAS
(B)=
(C)=

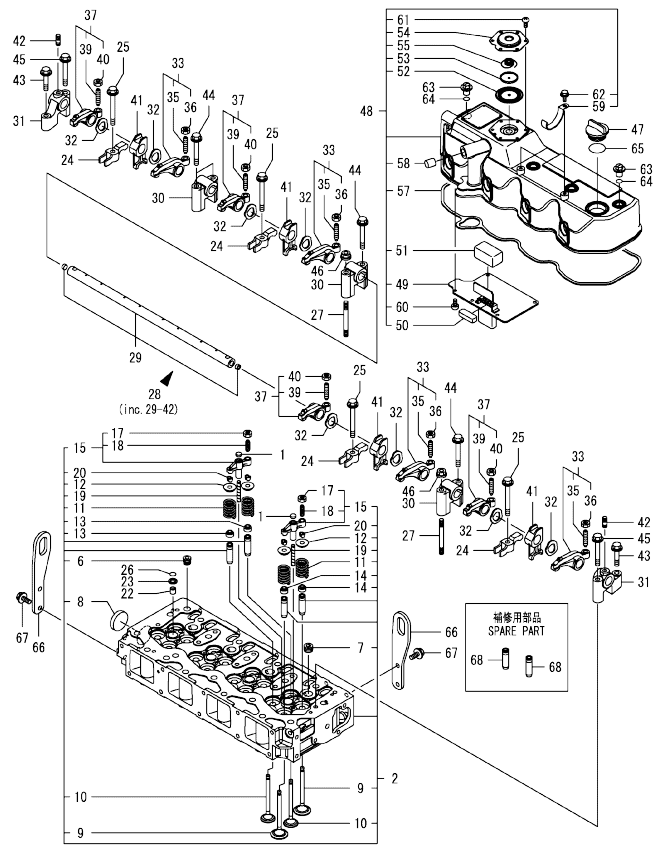
(D)=
(E)=
(F)=

No.	Lev.	Parts No.	Description	Q'ty						I	R
				(A)	(B)	(C)	(D)	(E)	(F)		
1	1	123907-11550	SEAT, VALVE BRIDGE	8							
2	1	129927-11700	HEAD ASSY, CYLINDER	1							
6	2	23876-020000	PLUG, R02	1							
7	2	23876-030000	PLUG, R03	4							
8	2	27241-400000	PLUG, 40	1							
9	2	129907-11100	VALVE, SUCTION	8							
10	2	129907-11110	VALVE, EXHAUST	8							
11	2	129907-11120	SPRING, VALVE	16							
12	2	119620-11180	RETAINER, SPRING	16							
13	2	119803-11340	SEAL, VALVE STEM	8							
14	2	124160-11340	SEAL, VALVE STEM	8							
15	2	129907-11510	BRIDGE ASSY, VALVE	8							
17	3	129150-11750	NUT, M8	8							
18	3	123907-11830	ADJUSTER	8							
19	2	123907-11820	GUIDE, BRIDGE	8							
20	2	27310-070001	COTTER, 7	16							
22	1	119802-11870	PROTECTOR, NOZZLE	4							
23	1	119625-11880	SEAT, NOZZLE	4							
24	1	129907-11910	RETAINER, NOZZLE	4							
25	1	129907-11950	BOLT, M8X75	4							
26	1	24311-000120	O-RING, 1AP12.0	4							
27	1	119593-11301	BOLT, STUD M8X80	2							
28	1	129907-11341	SHAFT ASSY, ROCKER	1							
29	2	129907-11250	SHAFT, ROCKER ARM	1							
30	2	129907-11260	SUPPORT, ROCKER ARM	3							
31	2	129907-11270	SUPPORT, ROCKER ARM	2							
32	2	123907-11280	WASHER	8							
33	2	129907-11650	ARM ASSY, ROCKER	4							
35	3	129150-11230	SCREW, VALVE ADJUST	4							
36	3	129150-11750	NUT, M8	4							
37	2	129907-11660	ARM ASSY, ROCKER	4							
39	3	129150-11230	SCREW, VALVE ADJUST	4							
40	3	129150-11750	NUT, M8	4							
41	2	129907-11920	RETAINER, NOZZLE	4							
42	2	26226-080222	STUD, M8X 22	2							
43	1	26106-080402	BOLT, M8X 40 PLATED	2							
44	1	26106-080602	BOLT, M8X 60 PLATED	4							
45	1	26106-080602	BOLT, M8X 60 PLATED	2							
46	1	26306-080002	NUT, M8	2							
47	1	124160-01751	CAP, FILLER	1							
48	1	129927-11320	BONNET ASSY, HEAD	1							
49	2	129907-03011	PLATE, BAFFLE	1							
50	2	129907-03061	BAFFLE, BREATHER	1							
51	2	129907-03070	BAFFLE, BREATHER	1							
52	2	123907-03100	DIAPHRAGM	1							
53	2	123907-03110	PLATE	1							
54	2	123907-03120	PLATE, BREATHER	1							
55	2	123907-03140	SPRING, DIAPHRAGM	1							
57	2	129933-11310	GASKET, BONNET	1							
58	2	119640-61400	PLUG	1							
59	2	175339-79700	CLIP	2							

Remarks

(1) Spare parts.

Fig.4. CYLINDER HEAD & BONNET



(A)=4TNV98-ZNAS
(B)=
(C)=

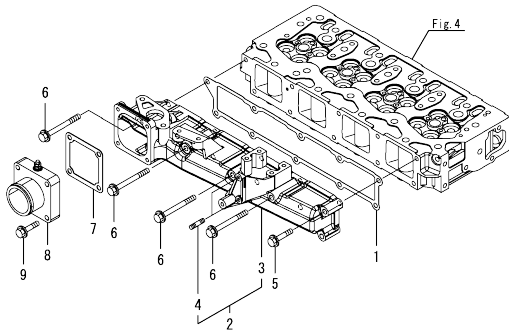
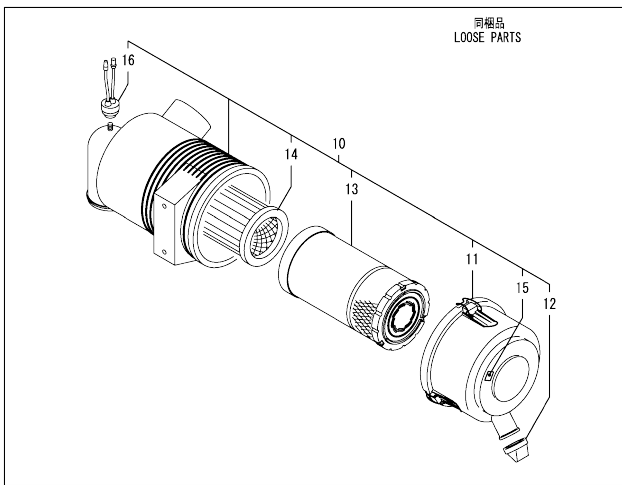
(D)=
(E)=
(F)=

No.	Lev.	Parts No.	Description	Q'ty						I	R		
				(A)	(B)	(C)	(D)	(E)	(F)				
60	2	22857-500100	SCREW, 5X10										
61	2	22857-500100	SCREW, 5X10										
62	2	26106-060122	BOLT, M6X 12 PLATED										
63	1	124160-11360	KNOB										
64	1	24311-000120	O-RING, 1AP12.0										
65	1	24311-000320	O-RING, 1AP32.0										
66	1	129907-07900	LIFTER, ENGINE										
67	1	26106-080162	BOLT, M8X 16 PLATED										
68	1	129907-11800	GUIDE, VALVE										1

Remarks

(1)Spare parts.

Fig.5. SUCTION MANIFOLD & AIR CLEANER

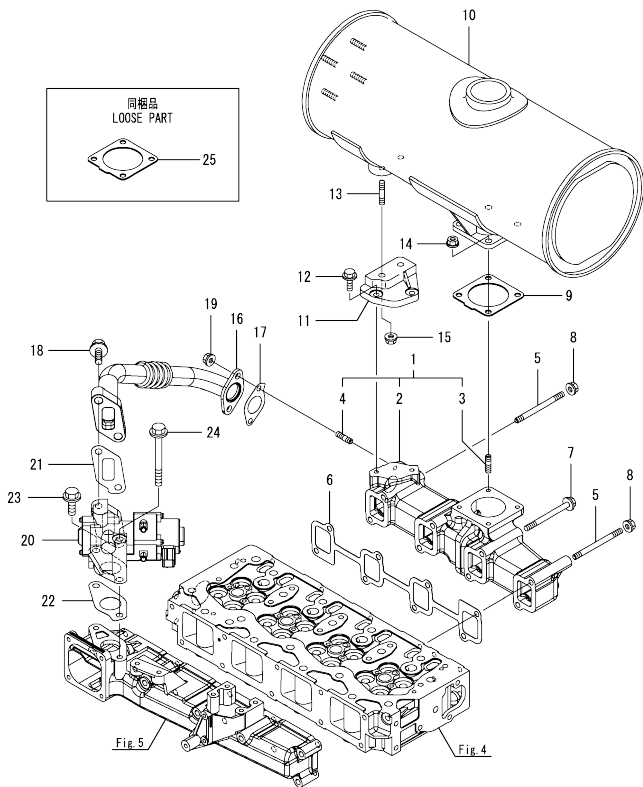


(A)=4TNV98-ZNAS
(B)=
(C)=

(D)=
(E)=
(F)=

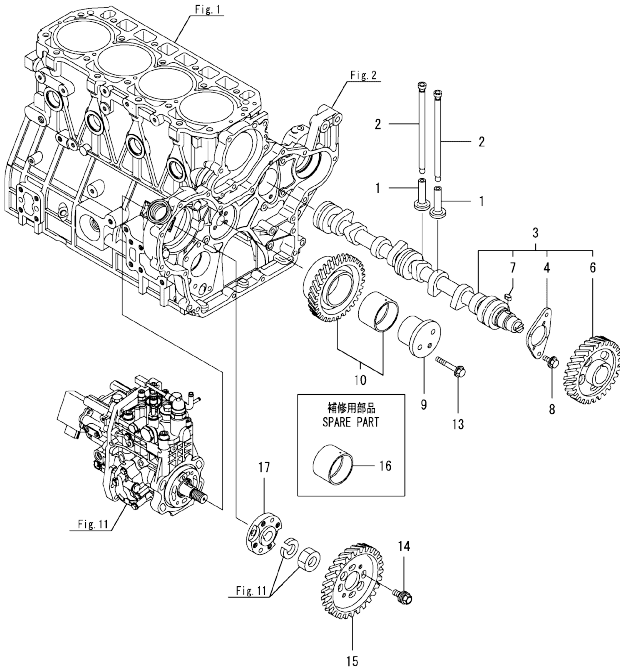
No.	Lev.	Parts No.	Description	Q'ty						I	R
				(A)	(B)	(C)	(D)	(E)	(F)		
1	1	129907-12110	GASKET, MANIFOLD	1							
2	1	129927-12150	MANIFOLD ASSY,INTAKE	1							
3	2	129927-12100	MANIFOLD, AIR INTAKE	1							
4	2	26216-060202	STUD, M6X 20	2							
5	1	26106-080452	BOLT, M8X 45 PLATED	6							
6	1	26106-080802	BOLT, M8X 80 PLATED	4							
7	1	121850-77021	GASKET, AIR HEATER	1							
8	1	129915-77051	HEATER, AIR 12V	1							
9	1	26106-080352	BOLT, M8X 35 PLATED	4							
10	1	129E20-12500	AIR CLEANER ASSY	1							
11	2	119160-12530	COVER ASSY	1							
12	2	119160-12540	VALVE	1							
13	2	119160-12560	ELEMENT, OUTER	1							
14	2	119160-12570	ELEMENT, INNER	1							
15	2	129612-12650	LABEL, MARKING	1							
16	2	119140-12680	INDICATOR, CLEANER	1							

Fig.6. EXHAUST MANIFOLD & SILENCER



No.	Lev.	Parts No.	Description	Q'ty						I	R
				(A)	(B)	(C)	(D)	(E)	(F)		
1	1	129927-13150	MANIFOLD ASSY, EXH.	1							
2	2	129927-13101	MANIFOLD, EXHAUST	1							
3	2	119131-18320	BOLT, STUD M8X22	4							
4	2	129418-18320	BOLT, STUD M8X20	2							
5	1	129263-13210	BOLT, STUD M8X90	2							
6	1	129900-13251	GASKET, EXH.MANIFOLD	1							
7	1	129E00-13650	BOLT, M8X90 10.9T	6							
8	1	26306-080002	NUT, M8	2							
9	1	129930-13201	GASKET, SILENCER	1							
10	1	129907-13500	SILENCER	1							
11	1	129927-13550	BRACKET, SILENCER	1							
12	1	26106-080202	BOLT, M8X 20 PLATED	2							
13	1	26216-080402	STUD, M8X 40	2							
14	1	26306-080002	NUT, M8	4							
15	1	26306-080002	NUT, M8	2							
16	1	129927-13800	PIPE ASSY, EGR	1							
17	1	129927-13810	GASKET	1							
18	1	26106-100302	BOLT, M10X 30 PLATED	2							
19	1	26306-080002	NUT, M8	2							
20	1	129928-13900	VALVE, EGR	1							
21	1	129927-13910	GASKET, EGR	1							
22	1	129927-13920	GASKET, EGR	1							
23	1	26106-100302	BOLT, M10X 30 PLATED	1							
24	1	26106-100952	BOLT, M10X 95 PLATED	1							
25	1	129930-13201	GASKET, SILENCER	1							

Fig.7. CAMSHAFT & DRIVING GEAR



(A)=4TNV98-ZNAS
(B)=
(C)=

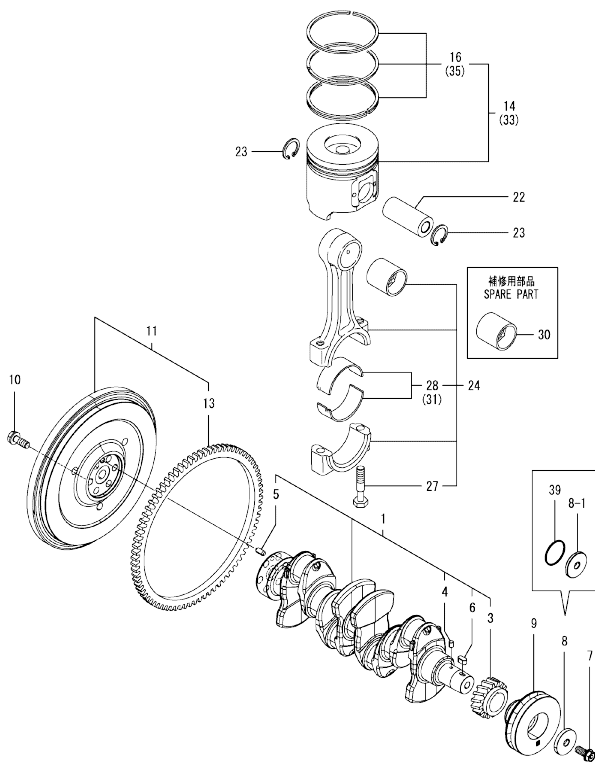
(D)=
(E)=
(F)=

No.	Lev.	Parts No.	Description	Q'ty						I	R
				(A)	(B)	(C)	(D)	(E)	(F)		
1	1	129150-14200	TAPPET	8							
2	1	129907-14400	PUSH-ROD	8							
3	1	129908-14581	CAMSHAFT ASSY	1							
4	2	129150-02450	BEARING, THRUST	1							
6	2	129900-14100	GEAR, CAMSHAFT	1							
7	2	22512-070140	KEY, 7X 14	1							
8	1	26106-080142	BOLT, M8X 14 PLATED	2							
9	1	123900-25060	SHAFT, IDLE GEAR	1							
10	1	129900-25100	GEAR ASSY, IDLE	1							
13	1	26106-080552	BOLT, M8X 55 PLATED	3							
14	1	129953-25300	BOLT	4							
15	1	129907-25900	GEAR, PUMP	1							
16	1	129150-25920	BUSH, IDLE GEAR	1							1
17	1	158563-51150	FLANGE	1							

Remarks

(1)Spare parts.

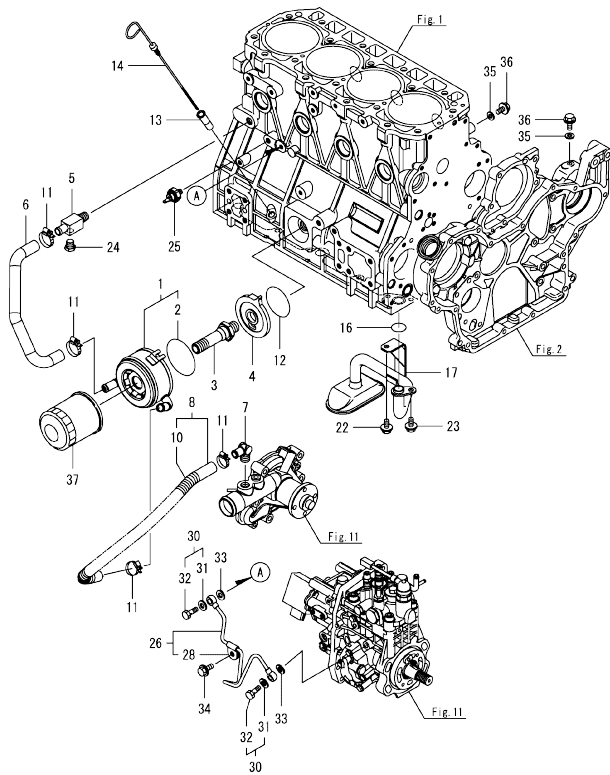
Fig.8. CRANKSHAFT & PISTON



Remarks
 (1)Spare parts.
 (2)Under-sized(U.S.=0.25) parts.
 (3)Over-sized(O.S.=0.25) parts.

No.	Lev.	Parts No.	Description	Q'ty						I	R
				(A)	(B)	(C)	(D)	(E)	(F)		
1	1	129902-21000	CRANKSHAFT ASSY	1							
3	2	129900-21200	GEAR, CRANKSHAFT	1							
4	2	121850-21290	PIN	1							
5	2	121850-21920	PIN, PARALLEL 10X22	1							
6	2	22512-070140	KEY, 7X 14	1							
7	1	129916-21610	BOLT	1							
8	1	129900-21640	WASHER	1							
8-1	1	129960-21940 (A=E140521)	WASHER, V-PULLEY	1							N
9	1	129907-21660	V-PULLEY, CRANK 130	1							
10	1	121850-21130	BOLT, FLYWHEEL	6							
11	1	129953-21560	FLYWHEEL ASSY	1							
13	2	129900-21600	GEAR, RING	1							
14	1	129927-22080	PISTON ASSY	4							
16	2	129927-22050	RING SET, PISTON	4							
22	1	120130-22301	PIN, PISTON	4							
23	1	22252-000300	RING, 30	8							
24	1	129900-23001	ROD ASSY, CONNECTING	4							
27	2	129900-23200	BOLT, CONNECTING ROD	8							
28	2	129900-23601	BEARING, CRANK PIN	4							
30	1	129900-23911	BEARING, PISTON PIN	4							1
31	1	129900-23611	BEARING ASSY, 0.25US	4							2
33	1	729927-22900	PISTON ASSY, 0.25 OS	4							3
35	2	729927-22950	RING SET, 0.25 OS	4							3
39	1	129960-21930 (A=E140521)	GASKET, WASHER	1							W

Fig.9. LUB. OIL SYSTEM



(A)=4TNV98-ZNAS
(B)=
(C)=

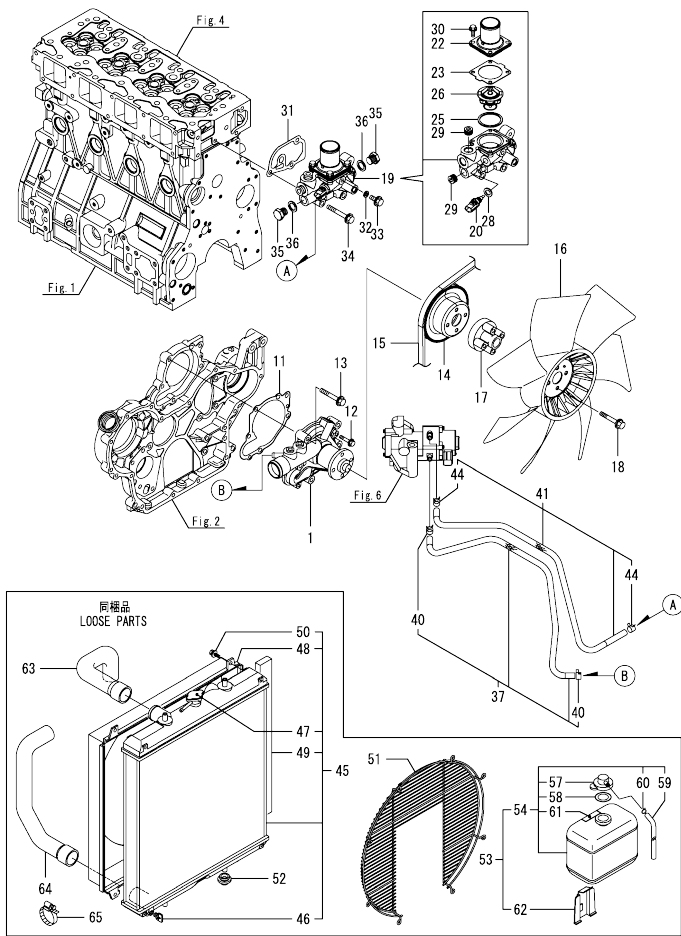
(D)=
(E)=
(F)=

No.	Lev.	Parts No.	Description	Q'ty						I	R
				(A)	(B)	(C)	(D)	(E)	(F)		
1	1	129908-33010	COOLER ASSY, OIL	1							
2	2	123912-33050	O-RING	1							
3	1	123912-33100	BOLT, COOLER	1							
4	1	129908-33101	BRACKET, OIL COOLER	1							
5	1	129006-44480	JOINT	1							
6	1	129908-49060	HOSE, WATER	1							
7	1	129466-49300	ELBOW, PT3/8	1							
8	1	123910-49600	HOSE ASSY WATER	1							
10	2	123910-49610	TUBE, CORRUGATED	1							
11	1	23000-025000	CLAMP, 25	4							
12	1	24321-000600	O-RING, 1AG60.0	1							
13	1	121520-34810	GUIDE, DIPSTICK	1							
14	1	129953-34830	DIPSTICK	1							
16	1	129900-32030	O-RING, P20	1							
17	1	129953-35000	PIPE ASSY, OIL INLET	1							
22	1	26106-080122	BOLT, M8X 12 PLATED	1							
23	1	26106-080162	BOLT, M8X 16 PLATED	1							
24	1	171056-49120	PLUG, DRAIN R1/4	1							
25	1	119761-39450	SWITCH, HYDRAULIC	1							
26	1	129927-39060	PIPE ASSY, OIL	1							
28	2	123907-39500	RETAINER, PIPE	1							
30	1	129005-59830	BOLT ASSY, JOINT M8	2							
31	2	22190-080002	WASHER, SEAL 8	2							
32	2	23857-030000	BOLT, JOINT 3	2							
33	1	22190-080002	WASHER, SEAL 8	2							
34	1	26106-080122	BOLT, M8X 12 PLATED	1							
35	1	22190-080002	WASHER, SEAL 8	2							
36	1	26106-080122	BOLT, M8X 12 PLATED	2							
37	1	119005-35151	FILTER, D80X100	1							1

Remarks

(1)Spare parts.

Fig.10. COOLING WATER SYSTEM



(A)=4TNV98-ZNAS
(B)=
(C)=

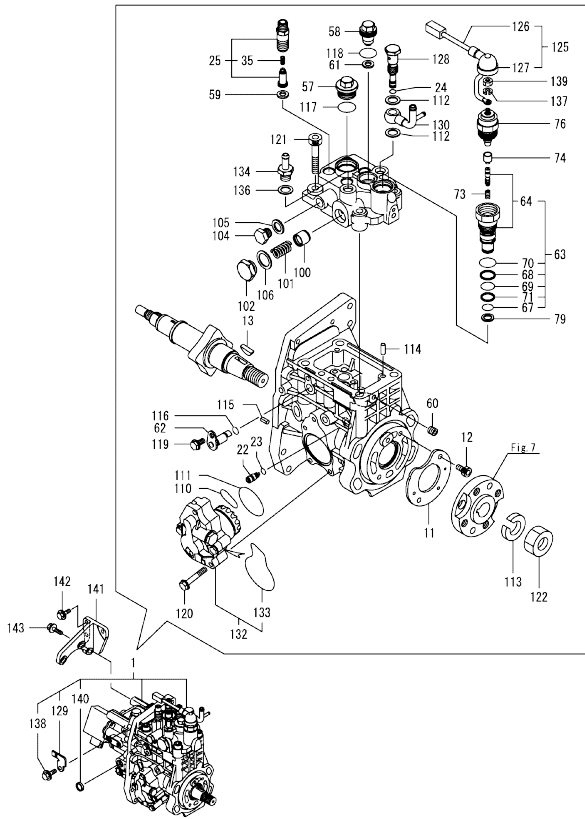
(D)=
(E)=
(F)=

No.	Lev.	Parts No.	Description	(A)	(B)	(C)	(D)	(E)	(F)	I	R
1	1	129927-42001	PUMP ASSY, WATER	1							
11	1	129900-42020	GASKET, WATER PUMP	1							
12	1	26106-060302	BOLT, M6X 30 PLATED	2							
13	1	26106-080552	BOLT, M8X 55 PLATED	5							
14	1	129900-42450	V-PULLEY, C.W.PUMP	1							
15	1	25152-004200	V-BELT, A42	1							
15-1	1	25152-004300	V-BELT, A43	1							N
(A=EW3666)											
16	1	129907-44740	FAN, COOLING D430X7	1							
17	1	119141-44760	SPACER, FAN	1							
18	1	26106-080552	BOLT, M8X 55 PLATED	4							
19	1	129927-49800	CASE ASSY, THERMOSTAT	1							
20	2	129927-44900	SENSOR, WATER TEMP.	1							
22	2	129916-49530	COVER, THERMOSTAT	1							
23	2	121850-49540	GASKET, THERMOSTAT	1							
25	2	121850-49550	GASKET, THERMOSTAT	1							
26	2	121850-49811	THERMOSTAT, 71C	1							
28	2	22190-120002	WASHER, SEAL 12	1							
29	2	23875-030000	PLUG, R03	2							
30	2	26106-060202	BOLT, M6X 20 PLATED	4							
31	1	129900-49870	GASKET, THERMOSTAT	1							
32	1	23414-080000	GASKET, 8X1.0	1							
33	1	26106-080122	BOLT, M8X 12 PLATED	1							
34	1	26106-080602	BOLT, M8X 60 PLATED	3							
35	1	121450-42450	PLUG, M16	2							
36	1	124465-44950	GASKET, 16	2							
37	1	129927-49610	HOSE ASSY, WATER	1							
40	2	23080-012000	CLAMP, 12	2							
41	1	129927-49620	HOSE ASSY, WATER	1							
44	2	23080-012000	CLAMP, 12	2							
45	1	129940-44500	RADIATOR ASSY	1							
46	2	129508-44550	COCK ASSY	1							
47	2	129107-44590	CAP, RADIATOR	1							
48	2	129907-44600	SHROUD	1							
49	2	129907-44610	GASKET	2							
50	2	26014-060122	BOLT, M6X 12	4							
51	1	129907-44570	GUARD	1							
52	1	119255-44660	ABSORBER	2							
53	1	120147-44800	TANK ASSY, SUB	1							
54	2	121857-44800	TANK ASSY, RESERVE	1							
57	3	121850-44850	CAP	1							
58	3	121850-44860	GASKET	1							
59	3	121850-44870	HOSE	1							
60	3	121850-44880	CLAMP, HOSE	1							
61	3	121850-44830	LABEL, RESERVE TANK	1							
62	2	120147-44810	BRACKET	1							
63	1	129981-49050	HOSE, WATER	1							
64	1	129981-49062	HOSE, WATER	1							
65	1	23000-060000	CLAMP, 60	4							

Fig.11. FUEL INJECTION PUMP

(A)=4TNV98-ZNAS
(B)=
(C)=

(D)=
(E)=
(F)=



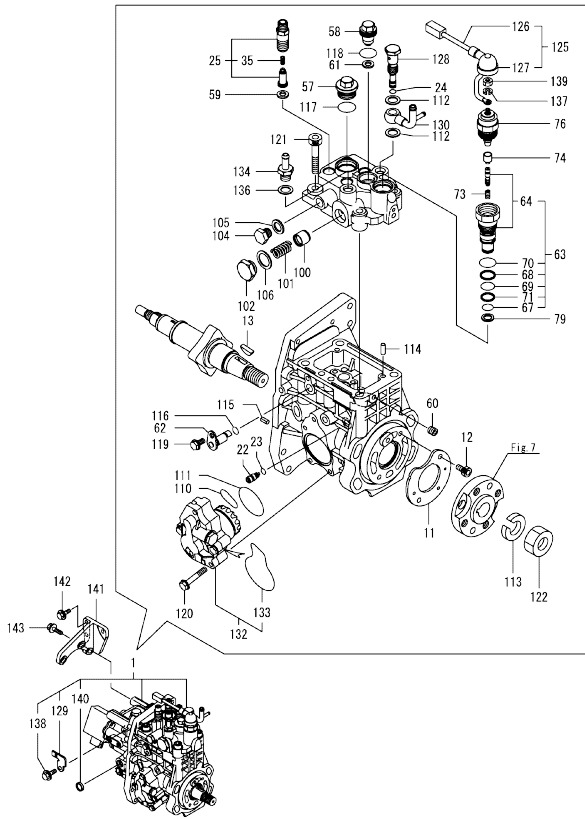
No.	Lev.	Parts No.	Description	Q'ty						I	R
				(A)	(B)	(C)	(D)	(E)	(F)		
1	1	729921-51380	FIE ASSY	1							1
11	2	129928-51900	COVER	1							
12	2	129008-51920	BOLT, SOCKET M6X10	2							
13	2	144626-51090	FEATHER KEY, 5X19	1							
22	2	158600-51270	STOPPER, TAPPET	1							
23	2	158563-51281	O-RING, 4D S6	1							
24	2	158563-51281	O-RING, 4D S6	1							
25	2	129927-51390	VALVE ASSY, DELIVERY	4							
35	3	158563-51330	SPRING, DELIVERY	4							
57	2	158601-51550	PLUG, M22	1							
58	2	129907-51560	PLUG, M16	1							
59	2	158552-51571	GASKET, PLUG	4							
60	2	158557-51570	PLUG, RACK	1							
61	2	129906-51580	GASKET, PLUG	1							
62	2	158552-51580	LIFTER, LINK	1							
63	2	129657-51590	TIMER ASSY	1							
64	3	129657-51600	TIMER ASSY	1							
67	3	158553-51670	O-RING	1							
68	3	119802-51680	RING, BACKUP	1							
69	3	119802-51690	O-RING	1							
70	3	24356-190200	O-RING, 4D19020	1							
71	3	24372-000150	RING, BACK UP T2P15	1							
73	2	119852-51630	SPRING, TIMER	1							
74	2	119852-51640	CAP, TIMER	1							
76	2	119852-51650	VALVE ASSY, SOLENOID	1							
79	2	158553-51680	GASKET, TIMER	1							
100	2	158601-51770	PISTON, ACCUMULATOR	1							
101	2	158552-51781	SPRING, ACCUMULATOR	1							
102	2	158601-51790	PLUG	1							
104	2	158553-51930	PLUG, M12	1							
105	2	22190-120002	WASHER, SEAL 12	1							
106	2	22190-180002	WASHER, SEAL 18	1							
110	2	158552-52311	O-RING	1							
111	2	158552-52400	O-RING, 4E S42	1							
112	2	22190-120002	WASHER, SEAL 12	2							
113	2	22217-180000	WASHER, SPRING 18	1							
114	2	22312-050140	PIN, PARALLEL 5X14	2							
115	2	22351-050010	PIN, SPRING 5.0X10	2							
116	2	24311-000070	O-RING, 1AP7.0	1							
117	2	24356-190200	O-RING, 4D19020	1							
118	2	24356-240210	O-RING, 4D24021	1							
119	2	26106-060102	BOLT, M6X 10 PLATED	1							
120	2	26106-060352	BOLT, M6X 35 PLATED	4							
121	2	26450-100452	BOLT, M10X 45	4							
122	2	26776-180002	NUT, LOCK M18	1							
125	2	129927-51650	HARNES ASSY, WIRE	1							
126	3	129927-51660	HARNES	1							
127	3	129263-77941	CAP, RUBBER	1							
128	2	158601-51650	JOINT, OVER FLOW	1							
129	2	129927-51670	BRACKET	1							
130	2	158552-51670	JOINT, OVER FLOW	1							

Remarks
(1)Governor(Fig.12) is incorporated in this Fuel Injection Pump(No.1).
(1)Eco pump
Make sure to update the engines ECU information when replacing the Eco pump.
Failing to do so will result in engine malfunction.

Fig.11. FUEL INJECTION PUMP

(A)=4TNV98-ZNAS
(B)=
(C)=

(D)=
(E)=
(F)=



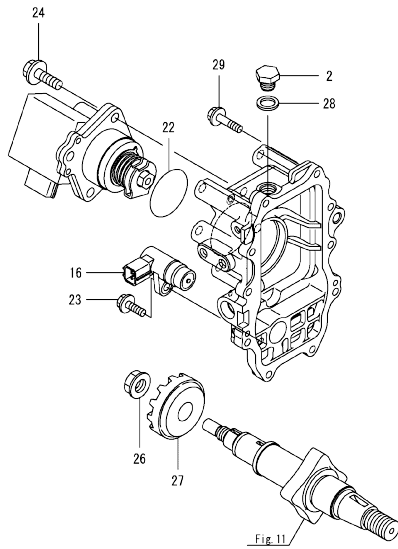
No.	Lev.	Parts No.	Description	Q'ty					
				(A)	(B)	(C)	(D)	(E)	(F)
132	2	158552-52100	PUMP ASSY, FUEL FEED	1					
133	3	158552-52500	O-RING	1					
134	2	119934-59910	JOINT, PIPE	1					
136	2	22190-120002	WASHER, SEAL 12	1					
137	2	22217-050000	WASHER, SPRING 5	1					
138	2	26106-060122	BOLT, M6X 12 PLATED	1					
139	2	26716-050002	NUT, M5	1					
140	2	27241-160000	PLUG, 16	1					
141	1	129927-51250	RETAINER, PUMP	1					
142	1	26106-080202	BOLT, M8X 20 PLATED	3					
143	1	26106-080302	BOLT, M8X 30 PLATED	3					

Remarks

(1)Governor(Fig.12) is incorporated in this Fuel Injection Pump(No.1).
(1)Eco pump
Make sure to update the engines ECU information when replacing the Eco pump.
Failing to do so will result in engine malfunction.

OCD50-M01810 ENGINE
 Fig.12. GOVERNOR

OCD50-M01810 Fig.12



(A)=4TNV98-ZNAS
 (B)=
 (C)=

(D)=
 (E)=
 (F)=

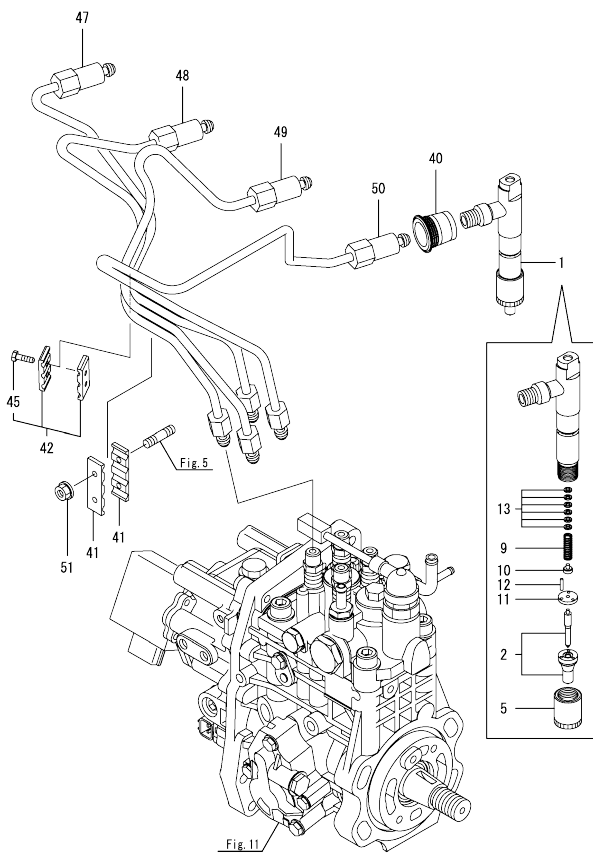
No.	Lev.	Parts No.	Description	Q'ty						I	R
				(A)	(B)	(C)	(D)	(E)	(F)		
2	2	158553-51930	PLUG, M12	1							
16	2	158557-61720	SENSOR	1							
22	2	24341-000480	O-RING, 1AS48.0	1							
23	2	26106-060162	BOLT, M6X 16 PLATED	1							
24	2	26106-080252	BOLT, M8X 25 PLATED	3							
26	2	129008-61301	NUT	1							
27	2	158553-61780	GEAR, SENSOR	1							
28	2	22190-120002	WASHER, SEAL 12	1							
29	2	26106-060252	BOLT, M6X 25 PLATED	10							

Remarks

* This figure(Governor) is incorporated in the Fuel Injection Pump(Fig.11).

N:Old $\frac{100}{100}$ New, Q:Old $\frac{100}{100}$ New, R:Old $\frac{100}{100}$ New, S:Old $\frac{100}{100}$ New, W:Add, Z:Discontinued, F:Interchangeable by set, K:Q'ty Change
 Copyright (C) 2015 YANMAR GLOBAL CS CO., LTD. All Rights Reserved.

Fig.13. FUEL INJECTION VALVE



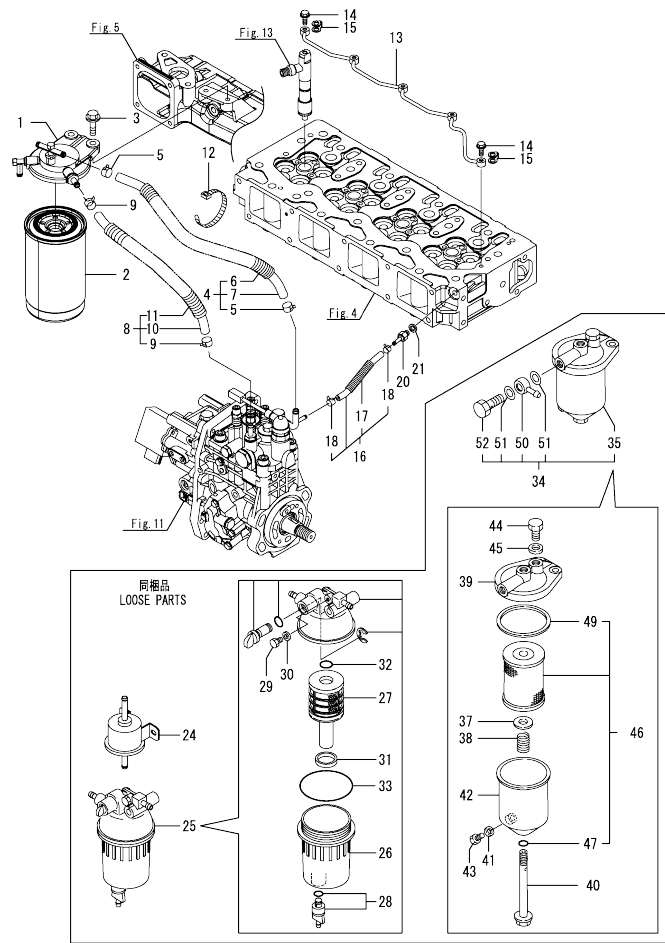
(A)=4TNV98-ZNAS
(B)=
(C)=

(D)=
(E)=
(F)=

No.	Lev.	Parts No.	Description	Q'ty						I	R
				(A)	(B)	(C)	(D)	(E)	(F)		
1	1	729927-53100	FUEL INJECTOR ASSY	4							
2	2	129927-53000	NOZZLE ASSY, F.I.	4							
5	2	114250-53080	NUT, NOZZLE	4							
9	2	114250-53120	SPRING, NOZZLE	4							
10	2	114250-53130	SEAT, SPRING	4							
11	2	114250-53140	SPACER	4							
12	2	114250-53210	PIN	8							
13	2	119803-53400	SHIM SET	4							
40	1	123907-11601	SEAL, PIPE	4							
41	1	123472-59120	RETAINER, PIPE	2							
42	1	129150-59120	RETAINER, PIPE	1							
45	2	129150-59131	BOLT, M4X14	2							
47	1	129927-59810	PIPE ASSY, INJECTION	1							
48	1	129927-59820	PIPE ASSY, INJECTION	1							
49	1	129927-59830	PIPE ASSY, INJECTION	1							
50	1	129927-59840	PIPE ASSY, INJECTION	1							
51	1	26366-060002	NUT, M6	2							

OCD50-M01810 ENGINE
 Fig.14. FUEL PIPE

OCD50-M01810 Fig.14



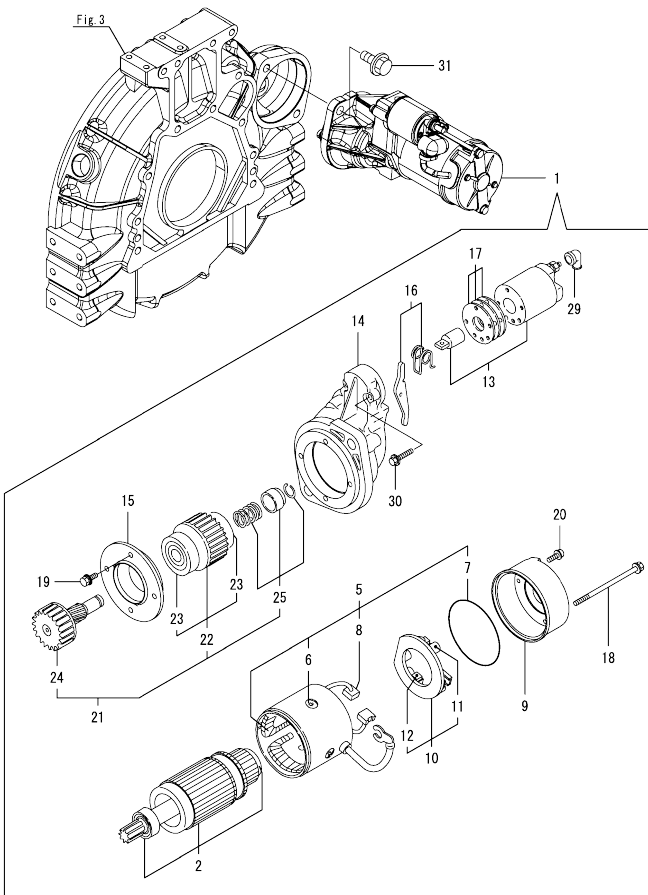
(A)=4TNV98-ZNAS
 (B)=
 (C)=

(D)=
 (E)=
 (F)=

No.	Lev.	Parts No.	Description	(A)	(B)	(C)	(D)	(E)	(F)	I	R
1	1	129004-55612	BRACKET, FILTER	1							
2	1	119802-55801	FILTER, FUEL	1							
2-1	1	129907-55801	FILTER, FUEL	1							N
(A=EW3666)											
3	1	26106-080302	BOLT, M8X 30 PLATED	2							
4	1	129457-59010	HOSE ASSY, FUEL	1							
5	2	124766-59050	CLAMP, HOSE 11.5	2							
6	2	129957-59120	TUBE, CORRUGATED 15	1							
7	2	105025-59750	HOSE, FUEL	1							
8	1	129961-59310	HOSE ASSY, FUEL	1							
9	2	124766-59050	CLAMP, HOSE 11.5	2							
10	2	129136-59110	HOSE, D13/7.5X270	1							
11	2	129961-59110	TUBE, CORRUGATED 15	1							
12	1	121750-59890	BAND, NYLON	1							
13	1	129907-59140	PIPE ASSY, RETURN	1							
14	1	123907-59540	BOLT, PIPE JOINT M6	5							
15	1	123907-59550	GASKET	5							
16	1	129927-59550	HOSE ASSY, RETURN	1							
17	2	129263-49750	TUBE, CORRUGATED	1							
18	2	124722-59050	CLAMP, HOSE 9	2							
20	1	123907-59560	JOINT, HOSE	1							
21	1	22190-080002	WASHER, SEAL 8	1							
24	1	129612-52100	PUMP, FUEL FEED	1							
25	1	129242-55701	SEPARATOR ASSY,WATER	1							
26	2	129242-55720	CUP, SEPARATOR	1							
27	2	129242-55730	ELEMENT, FUEL	1							
28	2	129242-55740	PLUG, DRAIN	1							
29	2	129242-55750	VALVE, AIR VENT	1							
30	2	129242-55760	GASKET, PLUG	1							
31	2	129242-55770	FLOAT	1							
32	2	24311-000160	O-RING, 1AP16.0	1							
33	2	24321-000750	O-RING, 1AG75.0	1							
34	1	129938-55750	SEPARATOR ASSY,WATER	1							
35	2	129065-55750	SEPARATOR ASSY,WATER	1							
37	3	123325-35160	WASHER	1							
38	3	129065-55170	SPRING, FILTER	1							
39	3	129495-55610	BODY, STRAINER	1							
40	3	129495-55620	BOLT	1							
41	3	123672-55760	GASKET	1							
42	3	129065-55760	CASE, SEPARATOR	1							
43	3	129065-55770	PLUG, DRAIN M8	1							
44	3	129065-55800	PLUG, M14	1							
45	3	123678-55890	GASKET, PLUG	1							
46	3	41650-502320	ELEMENT ASSY(D72XL90	1							
47	4	24311-000120	O-RING, 1AP12.0	1							
49	4	123325-35140	GASKET	1							
50	2	121750-59910	JOINT, BALL	2							
51	2	22190-140002	WASHER, SEAL 14	4							
52	2	23857-080000	BOLT, JOINT 8	2							

N:Old $\frac{100}{100}$ New, Q:Old $\frac{100}{100}$ New, R:Old $\frac{100}{100}$ New, S:Old $\frac{100}{100}$ New, W:Add, Z:Discontinued, F:Interchangeable by set, K:Qty Change
 Copyright (C) 2015 YANMAR GLOBAL CS CO., LTD. All Rights Reserved.

Fig.15. STARTER MOTOR

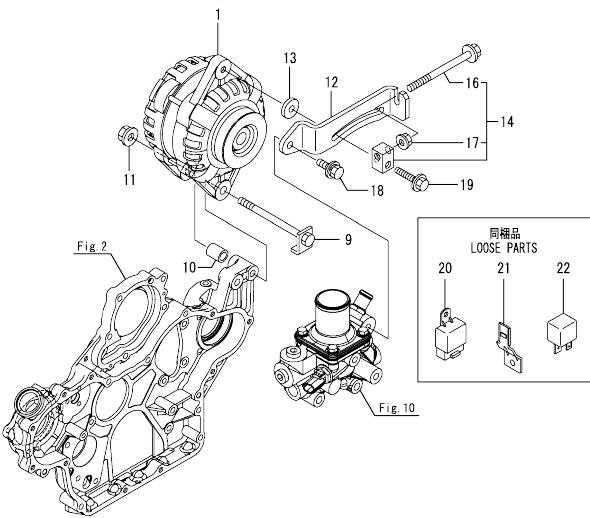
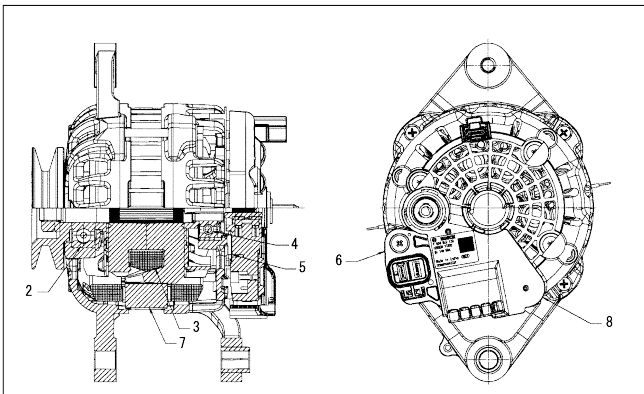


(A)=4TNV98-ZNAS
(B)=
(C)=

(D)=
(E)=
(F)=

No.	Lev.	Parts No.	Description	Q'ty						I	R
				(A)	(B)	(C)	(D)	(E)	(F)		
1	1	129940-77011	STARTER ASSY	1							
2	2	129940-77100	ARMATURE ASSY	1							
5	2	129940-77130	COIL ASSY, FIELD	1							
6	3	129940-77140	SCREW, CORE SET	4							
7	3	129940-77150	O-RING	1							
8	3	129940-77160	BRUSH	2							
9	2	129940-77171	COVER	1							
10	2	129940-77181	HOLDER ASSY, BRUSH	1							
11	3	129940-77190	SPRING, BRUSH	1							
12	3	129940-77200	BRUSH	2							
13	2	129940-77210	SWITCH ASSY, MAGNET	1							
14	2	129940-77221	CASE, GEAR	1							
15	2	129940-77230	RETAINER, BEARING	1							
16	2	129940-77240	LEVER SET	1							
17	2	129940-77250	COVER KIT, DUST	1							
18	2	129940-77260	BOLT, THROUGH	2							
19	2	129940-77270	BOLT	4							
20	2	129940-77280	SCREW	2							
21	2	123900-77510	PINION ASSY	1							
22	3	123900-77520	CLUTCH ASSY	1							
23	4	X2240610100	BEARING, BALL	2							
24	3	123900-77540	SHAFT, PINION	1							
25	3	119131-77550	STOPPER SET, PINION	1							
29	2	121254-77810	COVER, TERMINAL	1							
30	2	114371-79070	BOLT	2							
31	1	26106-120252	BOLT, M12X 25 PLATED	2							

Fig.16. GENERATOR

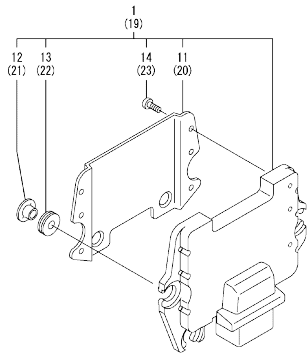


(A)=4TNV98-ZNAS
(B)=
(C)=

(D)=
(E)=
(F)=

No.	Lev.	Parts No.	Description	Q'ty						I	R
				(A)	(B)	(C)	(D)	(E)	(F)		
1	1	129908-77200	ALTERNATOR 12V	1							
2	2	129908-77710	BEARING, BALL FR	1							
3	2	129908-77720	ROTOR	1							
4	2	129908-77730	BEARING, BALL RR	1							
5	2	129908-77740	RECTIFIER	1							
6	2	129908-77750	REGULATOR	1							
7	2	129908-77760	STATOR	1							
8	2	129908-77770	PROTECTOR	1							
9	1	129908-77220	BOLT, STOPPER M10	1							
10	1	129908-77360	PIECE, DISTANCE	1							
11	1	26306-100002	NUT, M10	1							
12	1	129953-77300	ADJUSTER	1							
13	1	121236-77340	SPACER	1							
14	1	119624-77351	BLOCK ASSY, ADJUSTER	1							
16	2	26106-081004	BOLT, M8X100 PLATED	1							
17	2	26306-080002	NUT, M8	1							
18	1	26014-080252	BOLT, M8X 25	1							
19	1	26106-080452	BOLT, M8X 45 PLATED	1							
20	1	172B02-17150	RELAY,CA C TYPE	2							
21	1	129927-77910	BRACKET, CONNECTOR	2							
22	1	129927-77920	RELAY, ISO 70A	2							

Fig.17. ELECTRONIC CONTROL UNIT(ECU)



(A)=4TNV98-ZNAS
(B)=
(C)=

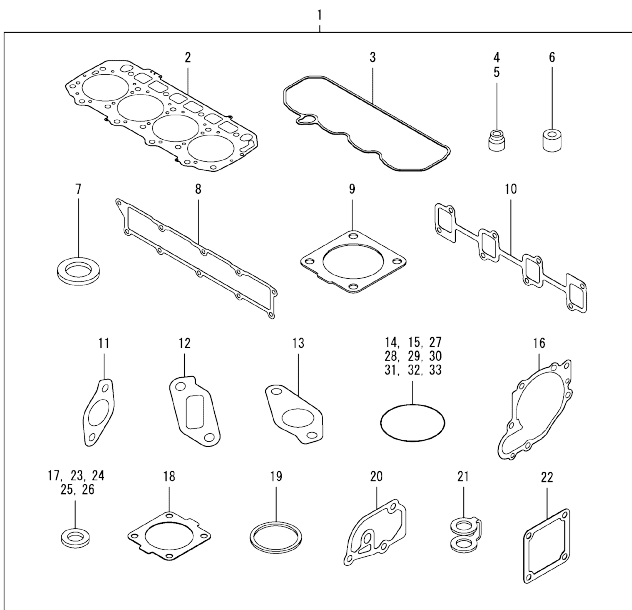
(D)=
(E)=
(F)=

No.	Lev.	Parts No.	Description	Q'ty						
				(A)	(B)	(C)	(D)	(E)	(F)	
1	1	129922-75040	ECU ASSY,4TNV98-ZNAS	1						1
11	2	129927-77600	SHIELD, ECU	1						
12	2	129927-77680	COLLAR, CONTROL	3						
13	2	119578-91351	ABSORBER	3						
14	2	22877-500080	SCREW, 5X 8	6						
19	1	129927-75900	ECU ASSY, SERVICE	1						2
20	2	129927-77600	SHIELD, ECU	1						
21	2	129927-77680	COLLAR, CONTROL	3						
22	2	119578-91351	ABSORBER	3						
23	2	22877-500080	SCREW, 5X 8	6						

Remarks

- (1)Eco ECU
- This part cannot be ordered.
- Replace the part using a Service ECU with the proper engine information installed.
- (2)Service ECU
- If the proper information is not installed, the engine will not operate.
- To install proper information, go to an authorized distributor.

Fig.18. GASKET SET



(A)=4TNV98-ZNAS
(B)=
(C)=

(D)=
(E)=
(F)=

No.	Lev.	Parts No.	Description	Q'ty						I	R
				(A)	(B)	(C)	(D)	(E)	(F)		
1	1	129939-92610	GASKET SET	1							1
2	2	129907-01331	GASKET, HEAD	1							
3	2	129933-11310	GASKET, BONNET	1							
4	2	119803-11340	SEAL, VALVE STEM	8							
5	2	124160-11340	SEAL, VALVE STEM	8							
6	2	119802-11870	PROTECTOR, NOZZLE	4							
7	2	119625-11880	SEAT, NOZZLE	4							
8	2	129907-12110	GASKET, MANIFOLD	1							
9	2	129930-13201	GASKET, SILENCER	1							
10	2	129900-13251	GASKET, EXH.MANIFOLD	1							
11	2	129927-13810	GASKET	1							
12	2	129927-13910	GASKET, EGR	1							
13	2	129927-13920	GASKET, EGR	1							
14	2	129900-32030	O-RING, P20	2							
15	2	129900-32040	O-RING, P14	1							
16	2	129900-42020	GASKET, WATER PUMP	1							
17	2	124465-44950	GASKET, 16	2							
18	2	121850-49540	GASKET, THERMOSTAT	1							
19	2	121850-49550	GASKET, THERMOSTAT	1							
20	2	129900-49870	GASKET, THERMOSTAT	1							
21	2	123907-59550	GASKET	5							
22	2	121850-77021	GASKET, AIR HEATER	2							
23	2	22190-080002	WASHER, SEAL 8	7							
24	2	22190-120002	WASHER, SEAL 12	1							
25	2	22190-220002	WASHER, SEAL 22	1							
26	2	23414-080000	GASKET, 8X1.0	1							
27	2	24311-000070	O-RING, 1AP7.0	1							
28	2	24311-000120	O-RING, 1AP12.0	8							
29	2	24311-000320	O-RING, 1AP32.0	2							
30	2	24316-240100	O-RING, 4DP10A	1							
31	2	24321-000600	O-RING, 1AG60.0	1							
32	2	24341-000530	O-RING, 1AS53.0	1							
33	2	24351-030750	O-RING, 1A3075	1							

Remarks

(1)Optional parts.

Parts No. Index

Parts No.	Fig. No.	Ref. No.
105025-59750	14	7
114250-53080	13	5
114250-53120	13	9
114250-53130	13	10
114250-53140	13	11
114250-53210	13	12
114371-79070	15	30
119005-35151	9	37
119131-18320	6	3
119131-77550	15	25
119140-12680	5	16
119141-44760	10	17
119160-12530	5	11
119160-12540	5	12
119160-12560	5	13
119160-12570	5	14
119255-44660	10	52
119578-91351	17	13
119593-11301	4	22
119620-01750	3	4
119620-11180	4	12
119624-77351	16	14
119625-11880	4	23
119640-01640	18	7
119640-61400	3	9
119640-61400	4	58
119761-39450	9	25
119802-11870	4	22
119802-11870	18	6
119802-51680	11	68
119802-51690	11	69
119802-55801	14	2
119803-11340	4	13
119803-53400	18	4
119803-53400	13	13
119852-51630	11	73
119852-51640	11	74
119852-51650	11	76
119934-59910	11	134
120130-22301	8	22
120147-44800	10	53
120147-44810	10	62
121027-11743	2	31 -1
121236-77340	16	13
121254-77810	15	29
121450-42450	10	35
121520-34810	9	13
121750-59890	14	12
121750-59910	14	50

Parts No.	Fig. No.	Ref. No.
121850-21130	8	10
121850-21290	8	4
121850-21920	8	5
121850-44830	10	61
121850-44850	10	57
121850-44860	10	58
121850-44870	10	59
121850-44880	10	60
121850-49540	10	23
121850-49550	18	18
121850-49550	10	25
121850-49550	18	19
121850-49811	10	26
121850-77021	5	7
121850-77021	18	22
121857-44800	10	54
123325-35140	14	49
123325-35160	14	37
123472-59120	13	41
123672-55760	14	41
123678-55890	14	45
123900-25060	7	9
123900-77510	15	21
123900-77520	15	22
123900-77540	15	24
123907-03100	4	52
123907-03110	4	53
123907-03120	4	54
123907-03140	4	55
123907-11280	4	32
123907-11550	4	1
123907-11601	13	40
123907-11820	4	19
123907-11830	4	18
123907-39500	9	28
123907-59540	14	14
123907-59550	14	15
123907-59560	18	21
123907-59560	14	20
123910-49600	9	8
123910-49610	9	10
123912-33050	9	2
123912-33100	9	3
124160-01751	2	25
124160-01751	4	47
124160-11340	4	14
124160-11340	18	5
124160-11360	4	63
124465-44950	10	36
124465-44950	18	17

Parts No.	Fig. No.	Ref. No.
124722-59050	14	18
124766-59050	14	5
124766-59050	9	9
129004-55612	14	1
129005-59830	9	30
129006-44480	9	5
129008-51920	11	12
129008-61301	12	26
129065-55170	14	38
129065-55750	14	35
129065-55760	14	42
129065-55770	14	43
129065-55800	14	44
129100-01580	2	1
129100-01580	3	1
129107-44590	10	47
129136-59110	14	10
129150-02450	7	4
129150-11230	4	35
129150-11230	4	39
129150-11750	4	17
129150-11750	4	36
129150-11750	4	40
129150-14200	7	1
129150-25920	7	16
129150-59120	13	42
129150-59131	13	45
129242-55701	14	25
129242-55720	14	26
129242-55730	14	27
129242-55740	14	28
129242-55750	14	29
129242-55760	14	30
129242-55770	14	31
129263-13210	6	5
129263-49750	14	17
129263-77941	11	127
129418-18320	6	4
129457-59010	14	4
129466-49300	9	7
129495-55610	14	39
129495-55620	14	40
129508-44550	10	46
129612-12650	5	15
129612-52100	14	24
129657-51590	11	63
129657-51600	11	64
129900-01200	1	27
129900-01250	1	4
129900-01620	3	2

Parts No.	Fig. No.	Ref. No.
129900-01850	2	36
129900-01870	2	37
129900-02020	1	6
129900-02341	1	32
129900-02410	1	9
129900-02931	1	24
129900-02941	1	35
129900-13251	6	6
129900-13251	18	10
129900-14100	7	6
129900-21200	8	3
129900-21600	8	13
129900-21640	8	8
129900-23001	8	24
129900-23200	8	27
129900-23601	8	28
129900-23611	8	31
129900-23911	8	30
129900-25100	7	10
129900-32001	2	4
129900-32030	2	16
129900-32030	9	16
129900-32030	18	14
129900-32040	2	17
129900-32040	18	15
129900-42020	10	11
129900-42020	18	16
129900-42450	10	14
129900-49870	10	31
129900-49870	18	20
129902-21000	8	1
129906-51580	11	61
129907-01331	1	28
129907-01331	18	2
129907-03011	4	49
129907-03061	4	50
129907-03070	4	51
129907-07900	4	66
129907-11100	4	9
129907-11110	4	10
129907-11120	4	11
129907-11250	4	29
129907-11260	4	30
129907-11270	4	31
129907-11341	4	28
129907-11510	4	15
129907-11650	4	33
129907-11660	4	37
129907-11800	4	68
129907-11910	4	24

Parts No. Index

Parts No.	Fig. No.	Ref. No.	Parts No.	Fig. No.	Ref. No.	Parts No.	Fig. No.	Ref. No.	Parts No.	Fig. No.	Ref. No.
129907-11920	4	41	129927-22050	8	16	129940-77240	15	16	175339-79700	4	59
129907-11950	4	25	129927-22080	8	14	129940-77250	15	17	22190-080002	9	31
129907-12110	5	1	129927-39060	9	26	129940-77260	15	18			33
	18	8	129927-42001	10	1	129940-77270	15	19			35
129907-13500	6	10	129927-42140	2	18	129940-77280	15	20		14	21
129907-14400	7	2	129927-44900	10	20	129944-01500	2	3		18	23
129907-21660	8	9	129927-49610	10	37	129951-01740	2	27		10	28
129907-25900	7	15	129927-49620	10	41	129953-21560	8	11	22190-120002	11	105
129907-44570	10	51	129927-49800	10	19	129953-25300	7	14			112
129907-44600	10	48	129927-51250	11	141	129953-34830	9	14			136
129907-44610	10	49	129927-51390	11	25	129953-35000	9	17		12	28
129907-44740	10	16	129927-51650	11	125	129953-77300	16	12		18	24
129907-51560	11	58	129927-51660	11	126	129957-59120	14	6	22190-140002	14	51
129907-55801	14	2	129927-51670	11	129	129960-21930	8	39	22190-180002	11	106
129907-59140	14	13	129927-53000	13	2	129960-21940	8	8	22190-220002	3	11
129908-14581	7	3	129927-59550	14	16	129961-59110	14	11		18	25
129908-33010	9	1	129927-59810	13	47	129961-59310	14	8	22217-050000	11	137
129908-33101	9	4	129927-59820	13	48	129981-49050	10	63	22217-180000	11	113
129908-49060	9	6	129927-59830	13	49	129981-49062	10	64	22252-000300	8	23
129908-77200	16	1	129927-59840	13	50	129E00-13650	6	7	22312-050140	11	114
129908-77220	16	9	129927-75900	17	19	129E20-12500	5	10	22351-050010	11	115
129908-77360	16	10	129927-77600	17	11	144626-51090	11	13	22351-060012	1	11
129908-77710	16	2			20	158552-51571	11	59	22512-070140	7	7
129908-77720	16	3	129927-77680	17	12	158552-51580	11	62		8	6
129908-77730	16	4			21	158552-51670	11	130	22857-500100	4	60
129908-77740	16	5	129927-77910	16	21	158552-51781	11	101			61
129908-77750	16	6	129927-77920	16	22	158552-52100	11	132	22877-500080	17	14
129908-77760	16	7	129928-13900	6	20	158552-52311	11	110			23
129908-77770	16	8	129928-51900	11	11	158552-52400	11	111	23000-025000	9	11
129915-77051	5	8	129930-13201	6	9	158552-52500	11	133	23000-060000	10	65
129916-01710	3	8			25	158553-51670	11	67	23080-012000	10	40
129916-01790	3	7			18	158553-51680	11	79			44
129916-01800	2	35	129933-11310	4	57	158553-51930	11	104	23414-080000	10	32
129916-21610	8	7			18		12	2		18	26
129916-49530	10	22	129938-55750	14	34	158553-61780	12	27	23857-030000	9	32
129922-75040	17	1	129939-92610	18	1	158557-51570	11	60	23857-080000	14	52
129927-11320	4	48	129940-44500	10	45	158557-61720	12	16	23875-030000	10	29
129927-11700	4	2	129940-77011	15	1	158563-51150	7	17	23876-020000	4	6
129927-12100	5	3	129940-77100	15	2	158563-51281	11	23	23876-030000	1	12
129927-12150	5	2	129940-77130	15	5			24			13
129927-13101	6	2	129940-77140	15	6	158563-51330	11	35			14
129927-13150	6	1	129940-77150	15	7	158600-51270	11	22		4	7
129927-13550	6	11	129940-77160	15	8	158601-51550	11	57	24311-000070	2	19
129927-13800	6	16	129940-77171	15	9	158601-51650	11	128		11	116
129927-13810	6	17	129940-77181	15	10	158601-51770	11	100		18	27
	18	11	129940-77190	15	11	158601-51790	11	102	24311-000120	4	26
129927-13910	6	21	129940-77200	15	12	171031-11741	2	31			64
	18	12	129940-77210	15	13	171051-01921	1	5		14	47
129927-13920	6	22	129940-77221	15	14	171056-49120	9	24		18	28
	18	13	129940-77230	15	15	172B02-17150	16	20	24311-000160	14	32

Parts No. Index

Parts No.	Fig. No.	Ref. No.
24311-000320	2	26
		32
	4	65
	18	29
24316-240100	18	30
	18	30
24321-000600	9	12
	18	31
24321-000750	14	33
24341-000480	12	22
24341-000530	18	32
24351-030750	2	20
24356-190200	18	33
	11	70
24356-240210		117
	11	118
24372-000150	11	71
25152-004200	10	15
25152-004300	10	15 -1
26014-060122	10	50
26014-080252	16	18
26106-060102	11	119
26106-060122	4	62
	11	138
26106-060162	12	23
26106-060202	10	30
26106-060252	12	29
26106-060302	10	12
26106-060352	11	120
26106-080122	3	12
	9	22
26106-080142		34
		36
	10	33
	7	8
26106-080162	2	21
		38
26106-080202	4	67
	9	23
	2	22
		28
26106-080252	6	12
	11	142
26106-080302	12	24
26106-080302	11	143
26106-080352	14	3
26106-080402	5	9
26106-080452	2	39
	4	43
	2	23
		29

Parts No.	Fig. No.	Ref. No.
26106-080452	5	5
	16	19
26106-080552	7	13
	10	13
26106-080602	4	44
		45
26106-080702	10	34
	2	40
26106-080752	2	30
26106-080802	5	6
26106-081004	16	16
26106-100302	6	18
		23
26106-100952	6	24
26106-120252	15	31
26206-100352	3	5
26206-100702	3	6
26216-060202	5	4
26216-080402	6	13
26216-100302	2	15
26226-080222	4	42
26306-080002	4	46
	6	8
26306-100002		14
	16	17
	2	24
	16	11
26366-060002	13	51
26450-100452	11	121
26716-050002	11	139
26776-180002	11	122
27241-160000	11	140
27241-300000	1	10
27241-400000	4	8
27310-070001	4	20
41650-502320	14	46
729900-02801	1	29
729907-01559	2	33
729921-51380	11	1
729927-01560	1	1
729927-22900	8	33
729927-22950	8	35
729927-53100	13	1
X2240610100	15	23

Parts No.	Fig. No.	Ref. No.
-----------	----------	----------

Parts No.	Fig. No.	Ref. No.
-----------	----------	----------