

0CW10-M35301EN

P R E F A C E

1. This parts catalog is the 2nd edition of 4TNV98-ZNCR and 4TNV98-ZNCR2 for ANTONIO CARRARO SPA.

Pub.No. : 0CW10-G35301

Published : April, 2009

2. Model name

Engine model	Vehicle	Vehicle made by
4TNV98-ZNCR 4TNV98-ZNCR2	TRACTOR	ANTONIO CARRARO SPA

Directions for the Parts Catalog.

1. The parts stipulated in this Parts Catalog are not necessarily standard equipped parts.
2. Parts may change without prior notice.
3. The following is an example of the Parts Catalog format.

REF.	LEV.	PARTS NO.	DESCRIPTION	Q'TY						I	R
				(A)	(B)	(C)	(D)	(E)	(F)		
1	1	729595-51390	FUEL INJECTION PUMP	1	1	1	1	1			1
1-1	1	729595-51391	FUEL INJECTION PUMP	1	1	1	1	1		N	1
		(A=E00185) (B=E00200)									
3	2	26022-060162	SCREW M 6X 16	9	9	9	9	9			
3-1	2	26022-060162	SCREW M 6X 16	4	4	4	4	4		K	
		(A=E00156) (B=E00156) (C=E00156) (D=E00156) (E=E00156)									
4	2	129470-51040	CAMSHAFT	1	1	1	1	1			
5	2	122710-51050	BEARING, ROLLER	2	2	2	2	2			
6	2	129470-51060	RETAINER	1	1	1	1	1			

Remarks
(1) BOOST COMPEMSATOR TYPE. OPTIONAL PART, TO E00155,(4JH-DT, 4JH-DTZ

① Ref. No.

The Ref. No. listed may not be in accordance with the illustration Ref. No.

(Ex.) Illustration No.

List Ref No.

1 1 (Before change) → 1-1 (After change)

For interchangeable symbols N, R and K, illustrations for new parts may be abbreviated.

② Lev. (Level)

Level indication

The numbers below indicate the level of relativity towards the main part.

1 ---- Main parts (Assembly parts)

2 ---- Sub component included in " 1 ".

3 ---- Sub component included in " 2 ".

Note) Parts that are not for sale are partially illustrated but not listed.

③ Interchangeability Mark

When a part change takes place, one of the following interchangeability symbols is indicated beside the part.

Symbol	Interchangeability	Contents note
N	Old $\begin{matrix} \leftarrow \text{Yes} \\ \text{No} \rightarrow \end{matrix}$ New	New Part is interchangeable for Old Part but Old Part is not interchangeable for New Part.
Q	Old $\begin{matrix} \leftarrow \text{No} \\ \text{Yes} \rightarrow \end{matrix}$ New	New Part is not interchangeable for Old Part but Old Part is interchangeable for New Part.
R	Old $\begin{matrix} \leftarrow \text{Yes} \\ \text{Yes} \rightarrow \end{matrix}$ New	New/ Old Parts are both interchangeable.
S	Old $\begin{matrix} \leftarrow \text{No} \\ \text{No} \rightarrow \end{matrix}$ New	New/ Old Parts are both not interchangeable.
W		Part newly added.
Z		Part discontinued.
F		Not interchangeable by a single part but interchangeable together with related parts.
K		Changes only for used parts quantities.

④ Effective Machine No.

When a part changes, the effective Machine No. will be indicated in the (A)-(F) column.

Product Symbol	Product No.	Product Symbol	Product No.
C	Clutch No. Compressor No.	F	Machine No. (Agricultural Equip.)
D	Drive No.	M	Machine No.
E	Engine No.		

Note 1) A date may follow the symbol. (Ex.) 1996.01

Note 2) "XXXXX" and "ZZZZZ" are for parts that could not be predicted or for engine models that could not be identified.

Note 3) (A=E00185) is the E (Engine Serial Number) for the column (A) model (in this case 4JH-DT) after the parts design change.

⑤ Remarks Mark

Figures or alphabets (symbols) are entered in the remarks column.

The comments (remarks) on parts that are indicated at the bottom of the illustration are the same symbols as those stated above.

Contents

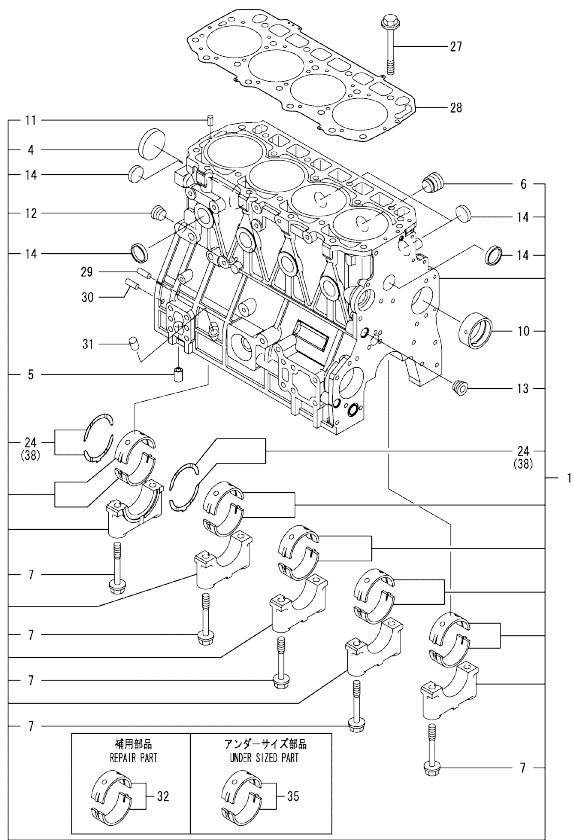
0CW10-M35301

Fig. No.	Fig. Name	Fig. No.	Fig. Name
4TNV98-ZNCR,4TNV98-ZNCR2			
1.	CYLINDER BLOCK		
2.	GEAR HOUSING		
3.	FLYWHEEL HOUSING & OIL SUMP		
4.	CYLINDER HEAD & BONNET		
5.	SUCTION MANIFOLD		
6.	EXHAUST MANIFOLD		
7.	CAMSHAFT & DRIVING GEAR		
8.	CRANKSHAFT & PISTON		
9.	BALANCER		
10.	LUB. OIL SYSTEM		
11.	COOLING WATER SYSTEM		
12.	FUEL INJECTION PUMP		
13.	GOVERNOR		
14.	FUEL INJECTION VALVE		
15.	FUEL LINE		
16.	STARTING MOTOR		
17.	GENERATOR		
18.	ELECTRONIC CONTROL UNIT (ECU)		
19.	GASKET SET		

Fig.1. CYLINDER BLOCK

(A)=4TNV98-ZNCR
(B)=4TNV98-ZNCR2
(C)=

(D)=
(E)=
(F)=

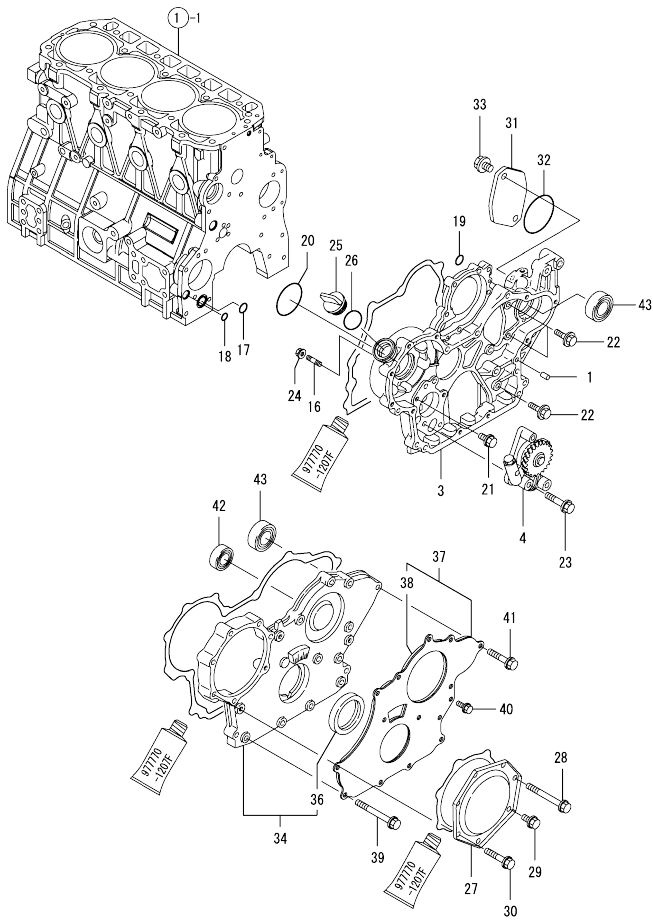


No.	Lev.	Parts No.	Description	Q'ty						I	R
				(A)	(B)	(C)	(D)	(E)	(F)		
1	1	729968-01560	BLOCK ASSY, CYLINDER	1	1						
4	2	129900-01250	PLUG, 55	1	1						
5	2	129956-01710	PIPE, KNOCK L=25	1	1						
6	2	171051-01921	PLUG, NPTF1	1	1						
7	2	129900-02020	BOLT, METAL CAP	10	10						
10	2	129900-02410	BUSH, CAMSHAFT	1	1						
11	2	22351-060012	PIN, SPRING 6.0X12	2	2						
12	2	23876-030000	PLUG, R03	1	1						
13	2	23876-030000	PLUG, R03	1	1						
14	2	27241-300000	PLUG 30	8	8						
24	2	129900-02931	BEARING, THRUST	2	2						
27	1	129900-01200	BOLT, HEAD	18	18						
28	1	129907-01331	GASKET, HEAD	1	1						
29	1	129100-01580	PIN, M8X16	2	2						
30	1	129100-01580	PIN, M8X16	2	2						
31	1	119309-01810	PLUG	1	1						
32	1	729900-02801	BEARING, MAIN	5	5						1
35	1	129900-02341	BEARING, 0.25 US	5	5						2
38	1	129900-02941	BEARING, THRUST 0.25	2	2						3

Remarks

- (1) REPAIR PART.
- (2) UNDER-SIZED(U.S=0.25)PART.
- (3) OVER-SIZED(O.S=0.25)PART.

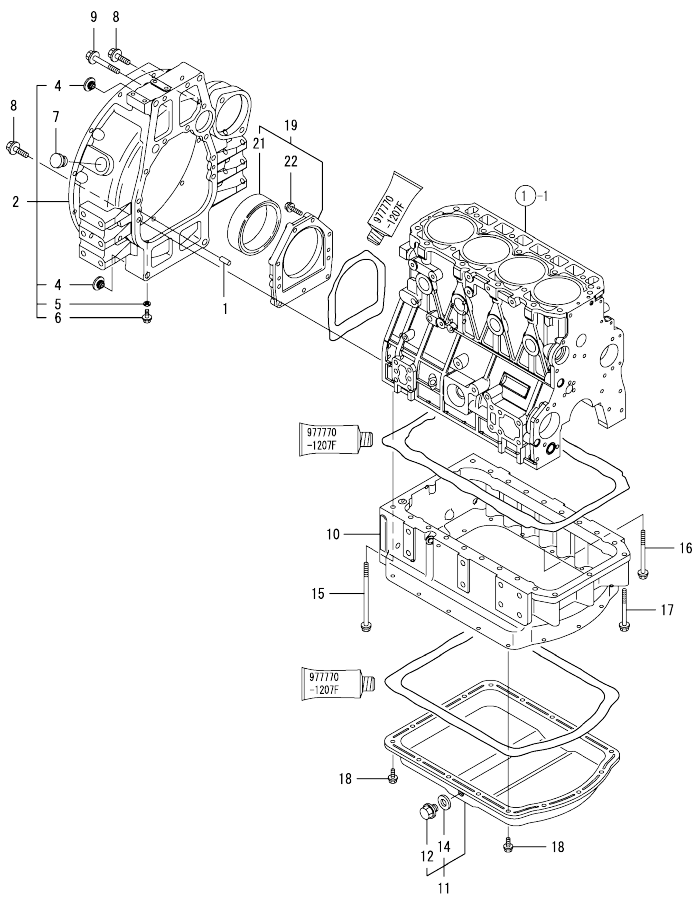
Fig.2. GEAR HOUSING



No.	Lev.	Parts No.	Description	Qty						I	R	
				(A)	(B)	(C)	(D)	(E)	(F)			
1	1	129100-01580	PIN, M8X16		4	4						
3	1	129962-01500	CASE, GEAR		1	1						
4	1	129956-32001	PUMP ASSY, OIL		1	1						
16	1	26216-100302	STUD, M10X 30		4	4						
17	1	129900-32030	O-RING, P20		1	1						
18	1	129900-32040	O-RING, P14		1	1						
19	1	24311-000070	O-RING, 1AP7.0		1	1						
20	1	24351-030750	O-RING, 1A3075		1	1						
21	1	26106-080162	BOLT, M8X 16 PLATED		1	1						
22	1	26106-080202	BOLT, M8X 20 PLATED		3	3						
23	1	26106-080452	BOLT, M8X 45 PLATED		3	3						
24	1	26306-100002	NUT, M10		4	4						
25	1	124160-01751	COVER, FILLER		1	1						
26	1	24311-000320	O-RING, 1AP32.0		1	1						
27	1	129900-01740	COVER		1	1						
28	1	129001-91810	BOLT, M8X70		1							
28-1	1	26106-080702	BOLT, M8X 70 PLATED		1	1						R
(A=2008.12)												
29	1	26106-080162	BOLT, M8X 16 PLATED		1	1						
30	1	26106-080402	BOLT, M8X 40 PLATED		5	5						
31	1	121023-26070	COVER		1	1						
32	1	24321-000850	O-RING, 1AG85.0		1	1						
33	1	26106-100202	BOLT, M10X 20 PLATED		2	2						
34	1	729906-01550	COVER ASSY,GEAR CASE		1	1						
36	2	129916-01800	SEAL, OIL		1	1						
37	1	129900-01850	COVER ASSY,GEAR CASE		1	1						
38	2	129900-01870	SPONGE		1	1						
39	1	129001-91810	BOLT, M8X70		6							
39-1	1	26106-080702	BOLT, M8X 70 PLATED		6	6						R
(A=2008.12)												
40	1	26106-080162	BOLT, M8X 16 PLATED		3	3						
41	1	26106-080402	BOLT, M8X 40 PLATED		5	5						
42	1	129900-14140	BEARING, BALL 6205		1	1						
43	1	129900-26250	BEARING, BALL 6206C3		2	2						

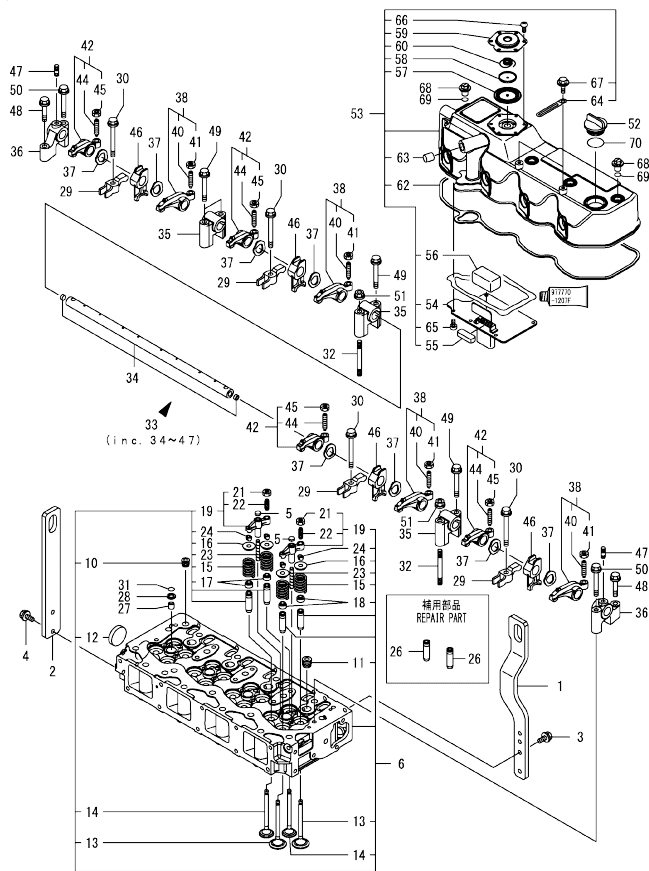
N:Old $\frac{100}{100}$ New, Q:Old $\frac{100}{100}$ New, R:Old $\frac{100}{100}$ New, S:Old $\frac{100}{100}$ New, W:Add, Z:Discontinued, F:Interchangeable by set, K:Qty Change
 Copyright (C) YANMAR GLOBAL CS CO., LTD. All Rights Reserved.

Fig.3. FLYWHEEL HOUSING & OIL SUMP



No.	Lev.	Parts No.	Description	Q'ty						I	R
				(A)	(B)	(C)	(D)	(E)	(F)		
1	1	129100-01580	PIN, M8X16	2	2						
2	1	129968-01650	HOUSING, FLYWHEEL	1	1						
4	2	129968-01670	PLUG, 12.5/23	4	4						
5	2	22190-060003	SEAL WASER 6	1	1						
6	2	26106-060122	BOLT, M6X 12 PLATED	1	1						
7	1	119620-01750	CAP	1	1						
8	1	26206-100352	BOLT, M10X 35 PLATED	9	9						
9	1	26206-100702	BOLT, M10X 70 PLATED	2	2						
10	1	129956-01700	SUMP, OIL	1	1						
11	1	129920-01732	COVER ASSY, OIL SUMP	1	1						
12	2	105425-01690	PLUG, 16	1	1						
14	2	22190-160002	WASHER, SEAL 16	1	1						
15	1	129972-01731	BOLT, M8X150	2	2						
16	1	129693-44310	BOLT	16	16						
17	1	129001-91841	BOLT, M8X85	3							
17-1	1	26106-080852	BOLT, M8X 85 PLATED	3	3						R
		(A=2008.12)									
18	1	26106-080122	BOLT, M8X 12 PLATED	16	16						
19	1	129956-01640	CASE ASSY, OIL SEAL	1	1						
21	2	124411-01780	SEAL, HTC95X115X12	1	1						
22	1	26106-080302	BOLT, M8X 30 PLATED	9	9						

Fig.4. CYLINDER HEAD & BONNET



(A)=4TNV98-ZNCR
(B)=4TNV98-ZNCR2
(C)=

(D)=
(E)=
(F)=

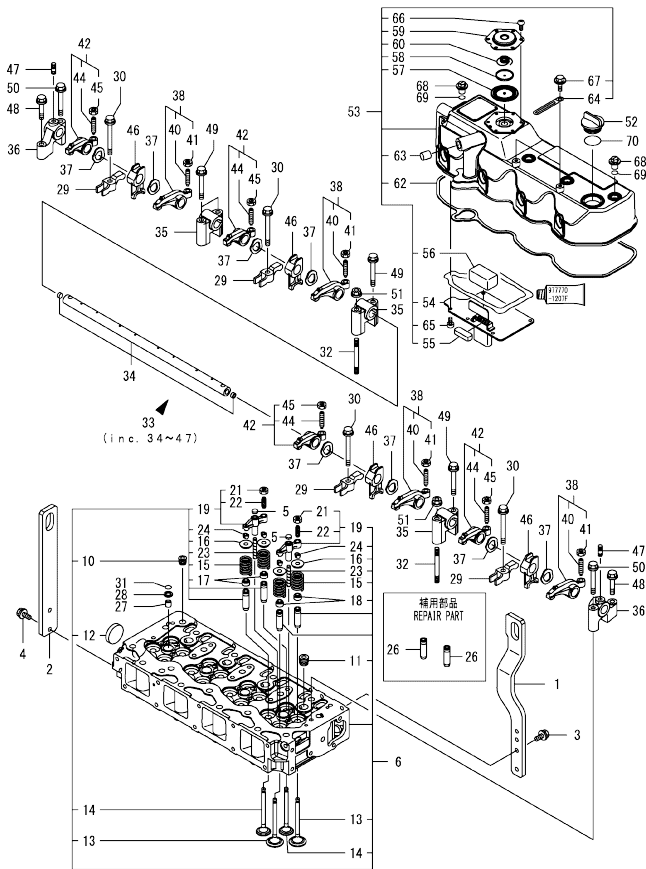
No.	Lev.	Parts No.	Description	Q'ty						I	R
				(A)	(B)	(C)	(D)	(E)	(F)		
1	1	129973-07901	LIFTER	1	1						
2	1	129973-07910	LIFTER	1	1						
3	1	26106-080202	BOLT, M8X 20 PLATED	2	2						
4	1	26106-080202	BOLT, M8X 20 PLATED	2	2						
5	1	123907-11550	SEAT, VALVE BRIDGE	8	8						
6	1	129927-11700	HEAD ASSY, CYLINDER	1	1						
10	2	23876-020000	PLUG, R02	1	1						
11	2	23876-030000	PLUG, R03	4	4						
12	2	27241-400000	PLUG, 40	1	1						
13	2	129907-11100	VALVE, INTAKE	8	8						
14	2	129907-11110	VALVE, EXHAUST	8	8						
15	2	129907-11120	SPRING, VALVE	16	16						
16	2	119620-11180	RETAINER, SPRING	16	16						
17	2	119803-11340	SEAL, VALVE STEM	8	8						
18	2	124160-11340	SEAL, VALVE STEM	8	8						
19	2	129907-11510	BRIDGE ASSY, VALVE	8	8						
21	3	129150-11750	NUT, M8	8	8						
22	3	123907-11830	ADJUSTER	8	8						
23	2	123907-11820	GUIDE	8	8						
24	2	27310-070001	COTTER, 7	16	16						
26	1	129907-11800	GUIDE, VALVE	16	16						1
27	1	119802-11870	PROTECTOR, NOZZLE	4	4						
28	1	119625-11880	SEAT, NOZZLE	4	4						
29	1	129907-11910	RETAINER, NOZZLE	4	4						
30	1	129907-11950	BOLT, M8X75	4	4						
31	1	24311-000120	O-RING, 1AP12.0	4	4						
32	1	119593-11301	STUD, M8X80	2	2						
33	1	129907-11341	SHAFT ASSY, ROCKER	1	1						
34	2	129907-11250	SHAFT, ROCKER ARM	1	1						
35	2	129907-11260	SUPPORT, ROCKER ARM	3	3						
36	2	129907-11270	SUPPORT, ROCKER ARM	2	2						
37	2	123907-11280	WASHER	8	8						
38	2	129907-11650	ARM, ROCKER	4	4						
40	3	129150-11230	SCREW, VALVE ADJUST	4	4						
41	3	129150-11750	NUT, M8	4	4						
42	2	129907-11660	ARM, ROCKER	4	4						
44	3	129150-11230	SCREW, VALVE ADJUST	4	4						
45	3	129150-11750	NUT, M8	4	4						
46	2	129907-11920	RETAINER	4	4						
47	2	26226-080222	STUD, M8X 22	2	2						
48	1	26106-080402	BOLT, M8X 40 PLATED	2	2						
49	1	26106-080602	BOLT, M8X 60 PLATED	4	4						
50	1	26106-080602	BOLT, M8X 60 PLATED	2	2						
51	1	26306-080002	NUT, M8	2	2						
52	1	124160-01751	COVER, FILLER	1	1						
53	1	129927-11320	BONNET ASSY, HEAD	1	1						
54	2	129907-03011	PLATE	1	1						
55	2	129907-03061	BAFFLE, BREATHER	1	1						
56	2	129907-03070	BAFFLE, BREATHER	1	1						
57	2	123907-03100	DIAPHRAGM	1	1						
58	2	123907-03110	PLATE	1	1						

Remarks
(1) REPAIR PART.

N:Old $\frac{New}{Old}$ New, Q:Old $\frac{New}{Old}$ New, R:Old $\frac{New}{Old}$ New, S:Old $\frac{New}{Old}$ New, W:Add, Z:Discontinued, F:Interchangeable by set, K:Q'ty Change
++ CONTINUE ++
Copyright (C) YANMAR GLOBAL CS CO., LTD. All Rights Reserved.

0CW10-M35301 4TNV98-ZNCR,4TNV98-ZNCR2
 Fig.4. CYLINDER HEAD & BONNET

0CW10-M35301 Fig.4



(A)=4TNV98-ZNCR
 (B)=4TNV98-ZNCR2
 (C)=

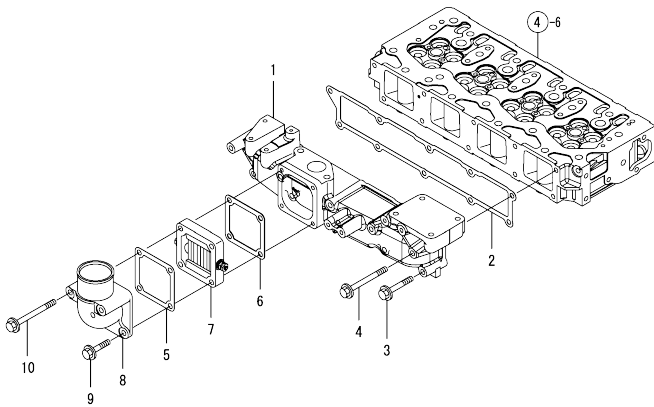
(D)=
 (E)=
 (F)=

No.	Lev.	Parts No.	Description	Q'ty					
				(A)	(B)	(C)	(D)	(E)	(F)
59	2	123907-03120	PLATE, BREATHER	1	1				
60	2	123907-03140	SPRING, DIAPHRAGM	1	1				
62	2	129933-11310	GASKET, BONNET	1	1				
63	2	119640-61400	PLUG	1	1				
64	2	175339-79700	CLIP	2	2				
65	2	22857-500100	SCREW, 5X10	6	6				
66	2	22857-500100	SCREW, 5X10	6	6				
67	2	26106-060122	BOLT, M6X 12 PLATED	2	2				
68	1	124160-11360	KNOB	4	4				
69	1	24311-000120	O-RING, 1AP12.0	4	4				
70	1	24311-000320	O-RING, 1AP32.0	1	1				

Remarks
 (1) REPAIR PART.

N:Old $\frac{New}{Old}$ New, Q:Old $\frac{New}{Old}$ New, R:Old $\frac{New}{Old}$ New, S:Old $\frac{New}{Old}$ New, W:Add, Z:Discontinued, F:Interchangeable by set, K:Q'ty Change
 Copyright (C) YANMAR GLOBAL CS CO., LTD. All Rights Reserved.

Fig.5. SUCTION MANIFOLD

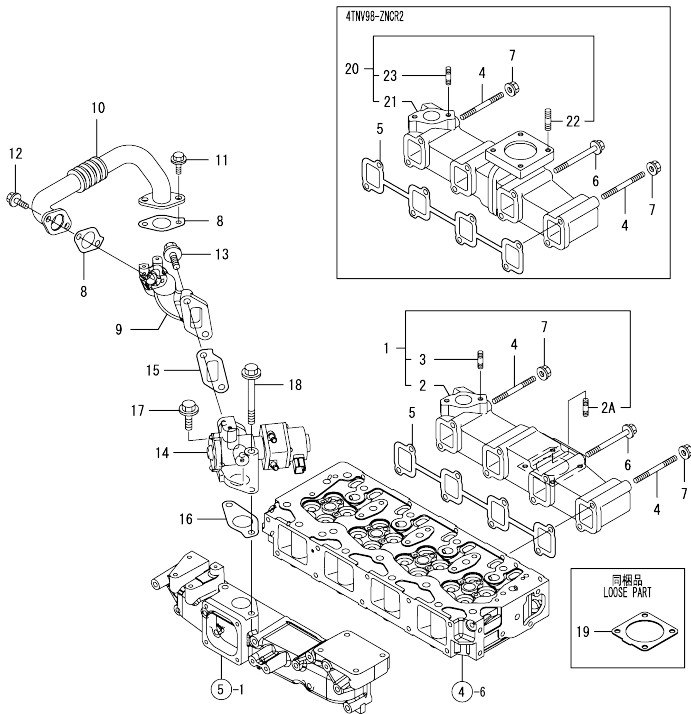


(A)=4TNV98-ZNCR
(B)=4TNV98-ZNCR2
(C)=

(D)=
(E)=
(F)=

No.	Lev.	Parts No.	Description	Q'ty						I	R
				(A)	(B)	(C)	(D)	(E)	(F)		
1	1	129968-12100	MANIFOLD, AIR INTAKE	1							
1-1	1	129968-12101 (A=2008.11)	MANIFOLD, AIR INTAKE	1	1						R
2	1	129907-12110	GASKET, MANIFOLD	1	1						
3	1	26106-080552	BOLT, M8X 55 PLATED	5	5						
4	1	26106-080852	BOLT, M8X 85 PLATED	5	5						
5	1	119129-77020	GASKET	1	1						
6	1	121850-77021	GASKET	1	1						
7	1	119005-77051	HEATER	1	1						
8	1	119129-77520	BEND	1	1						
9	1	26106-080402	BOLT, M8X 40 PLATED	2	2						
10	1	26106-080902	BOLT, M8X 90 PLATED	2	2						

Fig.6. EXHAUST MANIFOLD

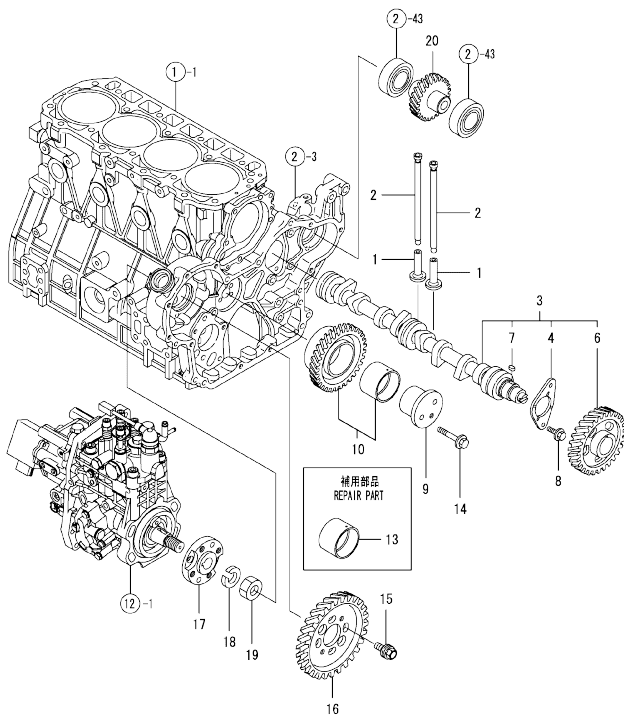


(A)=4TNV98-ZNCR
(B)=4TNV98-ZNCR2
(C)=

(D)=
(E)=
(F)=

No.	Lev.	Parts No.	Description	Q'ty						I	R
				(A)	(B)	(C)	(D)	(E)	(F)		
1	1	129968-13160	MANIFOLD ASSY	1							
2	2	129968-13110	MANIFOLD, EXHAUST	1							
2A	2	119131-18320	STUD, M8X22	4							
3	2	129418-18320	STUD, M8X20	2							
4	1	129263-13210	STUD, M8X90	2	2						
5	1	129900-13251	GASKET	1	1						
6	1	119802-13680	BOLT, M8X90 10.9T	6	6						
7	1	26306-080002	NUT, M8	2	2						
8	1	129927-13810	GASKET	2	2						
9	1	129973-13840	PIPE	1	1						
10	1	129968-13850	PIPE ASSY	1	1						
11	1	26106-080162	BOLT, M8X 16 PLATED	2	2						
12	1	26106-080162	BOLT, M8X 16 PLATED	2	2						
13	1	26106-100302	BOLT, M10X 30 PLATED	2	2						
14	1	129927-13900	VALVE	1							
14-1	1	129928-13900	VALVE	1	1						N
		(A=2009.03)									
15	1	129927-13910	GASKET	1	1						
16	1	129927-13920	GASKET	1	1						
17	1	26106-100302	BOLT, M10X 30 PLATED	1	1						
18	1	26106-100952	BOLT, M10X 95 PLATED	1	1						
19	1	129930-13201	GASKET, SILENCER	1	1						
20	1	129968-13150	MANIFOLD ASSY	1							
21	2	129968-13100	MANIFOLD, EXHAUST	1							
22	2	119131-18320	STUD, M8X22	4							
23	2	129418-18320	STUD, M8X20	2							

Fig.7. CAMSHAFT & DRIVING GEAR



(A)=4TNV98-ZNCR
(B)=4TNV98-ZNCR2
(C)=

(D)=
(E)=
(F)=

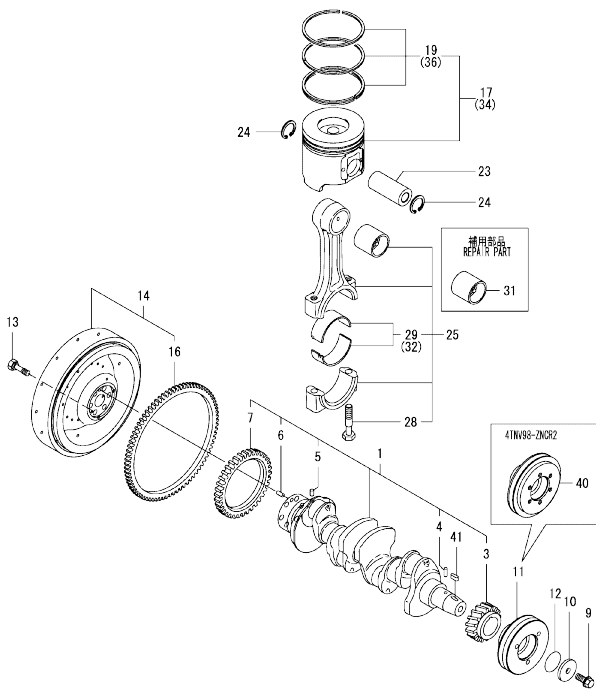
No.	Lev.	Parts No.	Description	Q'ty						I	R	
				(A)	(B)	(C)	(D)	(E)	(F)			
1	1	129150-14200	TAPPET		8	8						
2	1	129907-14400	ROD, PUSH		8	8						
3	1	129908-14590	CAMSHAFT ASSY	1	1							
4	2	129150-02450	BEARING, THRUST		1	1						
6	2	129900-14110	GEAR, CAMSHAFT		1	1						
7	2	22512-070140	KEY, 7X 14		1	1						
8	1	26106-080162	BOLT, M8X 16 PLATED		2	2						
9	1	123900-25060	SHAFT, IDLE GEAR		1	1						
10	1	129900-25110	GEAR ASSY, IDLE		1	1						
13	1	129150-25920	BUSH, IDLE GEAR		1	1						1
14	1	26106-080552	BOLT, M8X 55 PLATED		3	3						
15	1	129953-25300	BOLT		4	4						
16	1	129907-25900	GEAR, PUMP		1	1						
17	1	158563-51150	FLANGE		1	1						
18	1	22217-180000	WASHER, SPRING 18		1	1						
19	1	26776-180002	NUT, LOCK M18		1	1						
20	1	129900-26030	GEAR ASSY, PUMP		1	1						

Remarks
(1) REPAIR PART.

Fig.8. CRANKSHAFT & PISTON

(A)=4TNV98-ZNCR
(B)=4TNV98-ZNCR2
(C)=

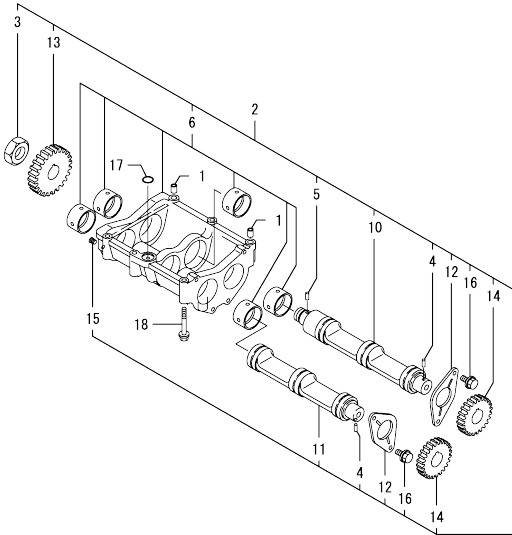
(D)=
(E)=
(F)=



No.	Lev.	Parts No.	Description	Q'ty						
				(A)	(B)	(C)	(D)	(E)	(F)	
1	1	129942-21000	CRANKSHAFT ASSY	1	1					
3	2	129900-21220	GEAR, CRANKSHAFT	1	1					
4	2	121850-21290	PIN	1	1					
5	2	121850-21290	PIN	1	1					
6	2	121850-21920	PIN, M10X22	1	1					
7	2	129956-28321	GEAR, BALANCER	1	1					
9	1	129916-21610	BOLT	1	1					
10	1	129960-21640	WASHER	1	1					
11	1	129963-21650	V-PULLEY, 130	1	1					
12	1	24341-000530	O-RING, 1AS53.0	1	1					
13	1	121850-21130	BOLT, FLYWHEEL	6	6					
14	1	129968-21580	FLYWHEEL ASSY	1	1					
16	2	129900-21600	GEAR, RING	1	1					
17	1	129968-22080	PISTON ASSY	4	4					
19	2	129927-22050	RING SET, PISTON	4	4					
23	1	120130-22301	PIN, PISTON	4	4					
24	1	22252-000300	RING, 30	8	8					
25	1	129900-23001	ROD ASSY, CONNECTING	4	4					
28	2	129900-23200	BOLT, CONNECTING ROD	8	8					
29	2	129900-23601	BEARING, CRANK PIN	4	4					
31	1	129900-23911	BEARING, PISTON PIN	4	4					1
32	1	129900-23611	BEARING, 0.25 US	4	4					2
34	1	729968-22900	PISTON ASSY, 0.25 OS	4	4					3
36	2	729927-22950	RING SET, 0.25 OS	4	4					3
40	1	129973-21670	V-PULLEY, 155	1	1					
41	1	22512-070140	KEY, 7X 14	1	1					

Remarks
(1) REPAIR PART.
(2) UNDER-SIZED(U.S=0.25)PART.
(3) OVER-SIZED(O.S=0.25)PART.

Fig.9. BALANCER

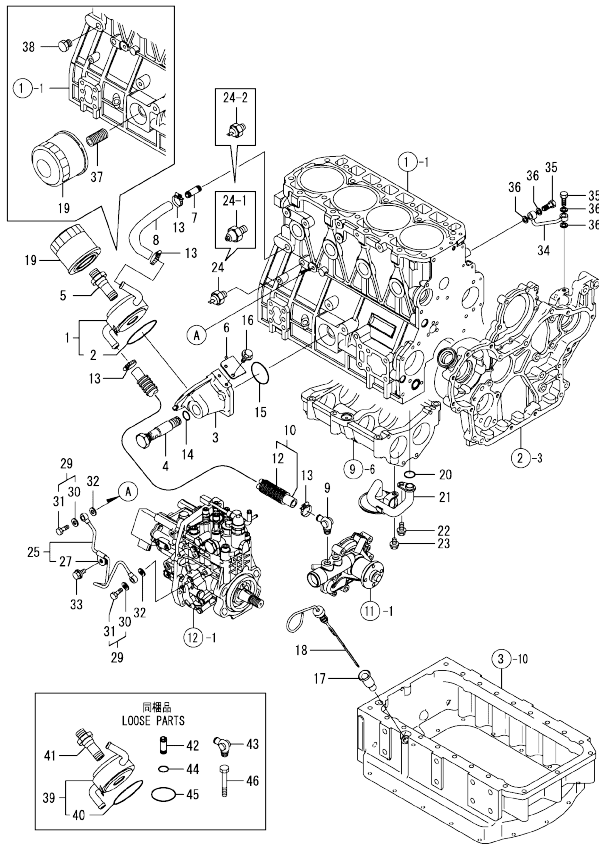


(A)=4TNV98-ZNCR
(B)=4TNV98-ZNCR2
(C)=

(D)=
(E)=
(F)=

No.	Lev.	Parts No.	Description	Q'ty						I	R
				(A)	(B)	(C)	(D)	(E)	(F)		
1	1	129795-01960	PIPE, KNOCK	2	2						
2	1	129956-28009	BALANCER ASSY	1	1						
3	2	128610-14120	NUT, END	1	1						
4	2	121850-21290	PIN	2	2						
5	2	121850-21290	PIN	1	1						
6	2	129956-28019	CASE ASSY, BALANCER	1	1						
10	2	129956-28101	SHAFT, BALANCER	1	1						
11	2	129956-28111	SHAFT, BALANCER	1	1						
12	2	129956-28180	PLATE, THRUST	2	2						
13	2	129956-28332	GEAR, BALANCER	1	1						
14	2	129956-28341	GEAR, BALANCER	2	2						
15	2	23876-005000	PLUG, R005	1	1						
16	2	26106-080162	BOLT, M8X 16 PLATED	4	4						
17	1	24311-000200	O-RING, 1AP20.0	1	1						
18	1	26106-080602	BOLT, M8X 60 PLATED	6	6						

Fig.10. LUB. OIL SYSTEM

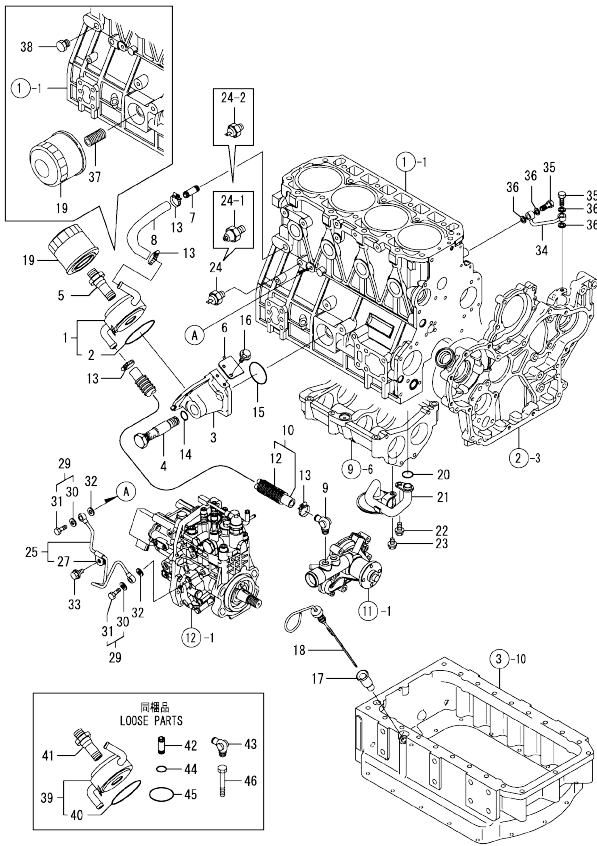


Remarks
(1) REPAIR PART.

No.	Lev.	Parts No.	Description	Qty						I	R
				(A)	(B)	(C)	(D)	(E)	(F)		
1	1	129956-33011 (A=E78502)	COOLER ASSY, OIL	1							Z
2	2	129957-33050 (A=E78502)	O-RING	1							Z
3	1	129956-33101 (A=E78502)	BRACKET, COOLER	1							Z
4	1	129956-33110 (A=E78502)	BOLT	1							Z
5	1	129956-33120 (A=E78502)	BOLT, COOLER	1							Z
6	1	129972-33140 (A=E78502)	STOPPER	1							Z
7	1	129122-44480 (A=E78502)	JOINT	1							Z
8	1	129956-49172 (A=E78502)	PIPE, WATER	1							Z
9	1	129466-49300 (A=E78502)	ELBOW, PT3/8	1							Z
10	1	129907-49630 (A=E78502)	PIPE ASSY, WATER	1							Z
12	2	129907-49650 (A=E78502)	TUBE, CORRUGATED	1							Z
13	1	23000-025000 (A=E78502)	CLAMP, 25	4							Z
14	1	24314-00020 (A=E78502)	O-RING, 4CP20.0	1							Z
15	1	24321-000600 (A=E78502)	O-RING, 1AG60.0	1							Z
16	1	26106-060142 (A=E78502)	BOLT, M6X 14 PLATED	2							Z
17	1	119860-34810	GUIDE, DIPSTICK	1	1						
18	1	129956-34810	DIPSTICK, OIL	1	1						
19	1	129150-35153	FILTER 80X80L	1	1						1
20	1	129900-32030	O-RING, P20	1	1						
21	1	129920-35080	PIPE ASSY, OIL INLET	1	1						
22	1	26106-080142	BOLT, M8X 14 PLATED	1	1						
23	1	26106-080202	BOLT, M8X 20 PLATED	1	1						
24	1	119761-39450	SWITCH, 0.5KG	1							
24-1	1	121252-39450 (A=E79504)	SWITCH, 0.5KG	1	1						S
24-2	1	119761-39450 (A=EB2855)	SWITCH, 0.5KG	1	1						S
25	1	129927-39060	PIPE ASSY, OIL	1	1						
27	2	123907-39500	RETAINER	1	1						
29	1	129005-59830	BOLT ASSY, JOINT M8	2	2						
30	2	22190-080002	WASHER, SEAL 6	2	2						
31	2	23857-030000	BOLT, JOINT 3	2	2						
32	1	22190-080002	WASHER, SEAL 6	2	2						
33	1	26106-080122	BOLT, M8X 12 PLATED	1	1						
34	1	129930-39050	PIPE, OIL	1	1						
35	1	105010-39140	BOLT, PIPE JOINT	2	2						

N:Old $\frac{100}{100}$ New, Q:Old $\frac{100}{100}$ New, R:Old $\frac{100}{100}$ New, S:Old $\frac{100}{100}$ New, W:Add, Z:Discontinued, F:Interchangeable by set, K:Qty Change
 ++ CONTINUE ++
 Copyright (C) YANMAR GLOBAL CS CO., LTD. All Rights Reserved.

Fig.10. LUB. OIL SYSTEM



(A)=4TNV98-ZNCR
(B)=4TNV98-ZNCR2
(C)=

(D)=
(E)=
(F)=

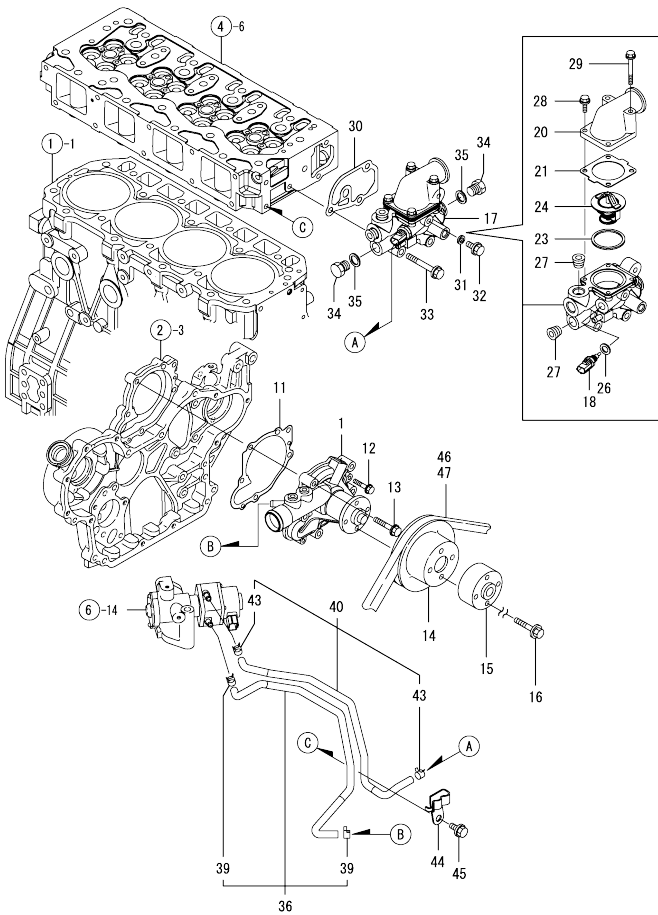
No.	Lev.	Parts No.	Description	Qty						I	R
				(A)	(B)	(C)	(D)	(E)	(F)		
36	1	22190-080002	WASHER, SEAL 6	4	4						
37	1	119000-35140 (A=E78502)	BOLT, FILTER	1	1						W
38	1	171056-49120 (A=E78502)	PLUG, DRAIN	1	1						W
39	1	129956-33011 (A=E78502)	COOLER ASSY, OIL	1	1						W
40	2	129957-33050 (A=E78502)	O-RING	1	1						W
41	1	129956-33120 (A=E78502)	BOLT, COOLER	1	1						W
42	1	129122-44480 (A=E78502)	JOINT	1	1						W
43	1	129466-49300 (A=E78502)	ELBOW, PT3/8	1	1						W
44	1	24314-000200 (A=E78502)	O-RING, 4CP20.0	1	1						W
45	1	24321-000600 (A=E78502)	O-RING, 1AG60.0	1	1						W
46	1	26206-120702 (A=E78502)	BOLT, M12X 70 PLATED	4	4						W

Remarks
(1) REPAIR PART.

N:Old $\frac{100}{100}$ New, Q:Old $\frac{100}{100}$ New, R:Old $\frac{100}{100}$ New, S:Old $\frac{100}{100}$ New, W:Add, Z:Discontinued, F:Interchangeable by set, K:Qty Change
Copyright (C) YANMAR GLOBAL CS CO., LTD. All Rights Reserved.

OCW10-M35301 4TNV98-ZNCR,4TNV98-ZNCR2
 Fig.11. COOLING WATER SYSTEM

OCW10-M35301 Fig.11



(A)=4TNV98-ZNCR
 (B)=4TNV98-ZNCR2
 (C)=

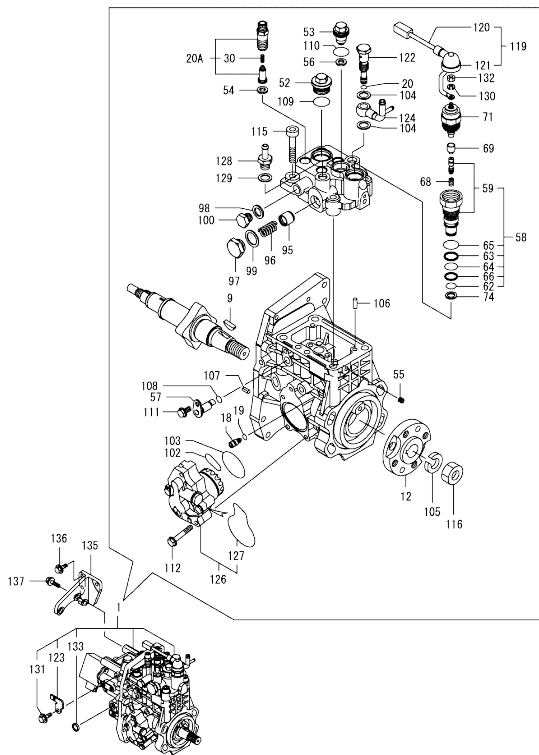
(D)=
 (E)=
 (F)=

No.	Lev.	Parts No.	Description	Q'ty						I	R
				(A)	(B)	(C)	(D)	(E)	(F)		
1	1	129927-42000	PUMP ASSY, WATER	1	1						
11	1	129900-42020	GASKET, WATER PUMP	1	1						
12	1	26106-060302	BOLT, M6X 30 PLATED	2	2						
13	1	26106-080552	BOLT, M8X 55 PLATED	5	5						
14	1	129900-42450	V-PULLEY	1	1						
15	1	119005-44761	SPACER, FAN	1	1						
16	1	26106-080452	BOLT, M8X 45 PLATED	4	4						
17	1	129938-49810	CASE ASSY,THERMOSTAT	1	1						
18	2	129927-44900	SENSOR	1	1						
20	2	129980-49530	COVER, THERMOSTAT	1	1						
21	2	121850-49540	GASKET, THERMOSTAT	1	1						
23	2	121850-49550	GASKET, THERMOSTAT	1	1						
24	2	121850-49800	THERMOSTAT, 82	1	1						
26	2	22190-120002	WASHER, SEAL 12	1	1						
27	2	23875-030000	PLUG, R03	2	2						
28	2	26106-060202	BOLT, M6X 20 PLATED	2	2						
29	2	26106-060552	BOLT, M6X 55 PLATED	2	2						
30	1	129900-49870	GASKET	1	1						
31	1	23414-080000	GASKET, 8X1.0	1	1						
32	1	26106-080122	BOLT, M8X 12 PLATED	1	1						
33	1	26106-080602	BOLT, M8X 60 PLATED	3	3						
34	1	121450-42450	PLUG, M16	2	2						
35	1	124465-44950	GASKET, 16	2	2						
36	1	129968-49610	PIPE, WATER	1	1						
39	2	23080-012000	CLAMP, 12	2	2						
40	1	129968-49620	PIPE, WATER	1	1						
43	2	23080-012000	CLAMP, 12	2	2						
44	1	129968-49850	RETAINER, PIPE	1	1						
45	1	26106-080142	BOLT, M8X 14 PLATED	1	1						
46	1	129963-42290	V-BELT, A42.5	1							
46-1	1	25152-004200	V-BELT, A42	1							S
		(A=2009.01)									
47	1	129973-42290	V-BELT, A43.5		1						

Fig.12. FUEL INJECTION PUMP

(A)=4TNV98-ZNCR
(B)=4TNV98-ZNCR2
(C)=

(D)=
(E)=
(F)=

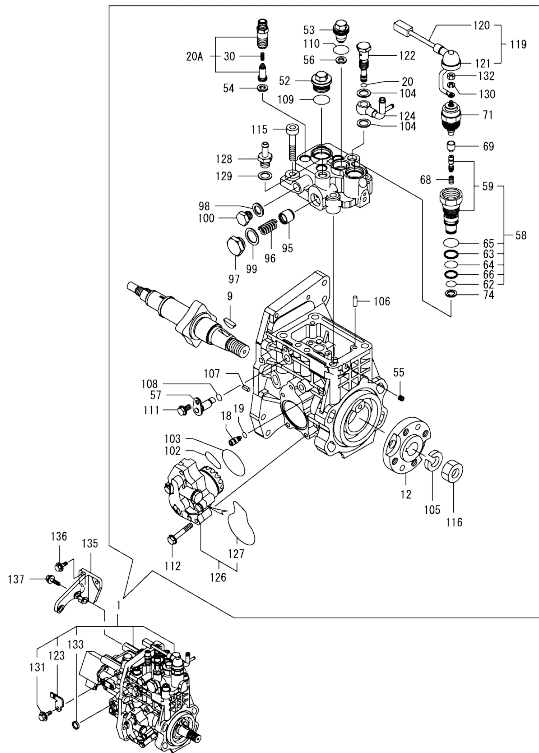


No.	Lev.	Parts No.	Description	Q'ty						I	R
				(A)	(B)	(C)	(D)	(E)	(F)		
1	1	729968-51300	PUMP ASSY, INJECTION	1	1						1
9	2	144626-51090	FEATHER KEY, 5X19	1	1						
12	2	158563-51150	FLANGE	1	1						
18	2	158600-51270	STOPPER, TAPPET	1	1						
19	2	158563-51281	O-RING, 4D S6	1	1						
20	2	158563-51281	O-RING, 4D S6	1	1						
20A	2	129927-51390	VALVE ASSY, DELIVERY	4	4						
30	3	158563-51330	SPRING, DELIVERY	4	4						
52	2	158601-51550	PLUG, M22	1	1						
53	2	129907-51560	PLUG, M16	1	1						
54	2	158552-51570	GASKET, PLUG	4	4						
54-1	2	158552-51571	GASKET, PLUG	4	4						R
(A=E79504)											
55	2	158557-51570	PLUG, RACK	1	1						
56	2	129906-51580	GASKET, PLUG	1	1						
57	2	158552-51580	LIFTER, LINK	1	1						
58	2	129657-51590	TIMER ASSY	1	1						
59	3	129657-51600	TIMER ASSY	1	1						
62	3	158553-51670	O-RING	1	1						
63	3	119802-51680	RING, BACKUP	1	1						
64	3	119802-51690	O-RING	1	1						
65	3	24356-010200	O-RING, 4D1020	1	1						
66	3	24372-000150	RING, BACK UP T2P15	1	1						
68	2	119852-51630	SPRING, TIMER	1	1						
69	2	119852-51640	CAP, TIMER	1	1						
71	2	119852-51650	VALVE ASSY, SOLENOID	1	1						
74	2	158553-51680	GASKET, TIMER	1	1						
95	2	158601-51770	PISTON, ACCUMULATOR	1	1						
96	2	158552-51781	SPRING, ACCUMULATOR	1	1						
97	2	158601-51790	PLUG	1	1						
98	2	22190-120002	WASHER, SEAL 12	1	1						
99	2	22190-180002	WASHER, SEAL 18	1	1						
100	2	23887-120002	PLUG, 12	1	1						
100-1	2	158553-51930	PLUG, M12	1	1						R
(A=2009.03)											
102	2	158552-52310	O-RING	1	1						
103	2	158552-52400	O-RING, 4E S42	1	1						
104	2	22190-120002	WASHER, SEAL 12	2	2						
105	2	22217-180000	WASHER, SPRING 18	1	1						
106	2	22312-050140	PIN, PARALLEL M5X14	2	2						
107	2	22351-050010	PIN, SPRING 5.0X10	2	2						
108	2	24311-000070	O-RING, 1AP7.0	1	1						
109	2	24356-010200	O-RING, 4D1020	1	1						
110	2	24356-020210	O-RING, 4D2021	1	1						
111	2	26106-060102	BOLT, M6X 10 PLATED	1	1						
112	2	26106-060352	BOLT, M6X 35 PLATED	4	4						
115	2	26450-100452	BOLT, M10X 45	4	4						
116	2	26776-180002	NUT, LOCK M18	1	1						
119	2	129927-51650	HARNESS ASSY, WIRE	1	1						
120	3	129927-51660	HARNESS	1	1						
121	3	129263-77941	CAP, RUBBER	1	1						

Remarks

(1) GOVERNOR ASSY (FIG.13) IS INCORPORATED IN THIS FUEL INJECTION PUMP (REF.NO.1).
* ECO PUMP
MAKE SURE TO UPDATE THE ENGINES ECU INFORMATION WHEN REPLACING THE ECO PUMP.
FAILING TO DO SO WILL RESULT IN ENGINE MALFUNCTION.

Fig.12. FUEL INJECTION PUMP



(A)=4TNV98-ZNCR
(B)=4TNV98-ZNCR2
(C)=

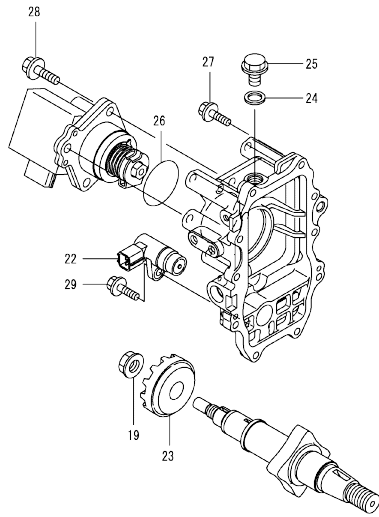
(D)=
(E)=
(F)=

No.	Lev.	Parts No.	Description	Q'ty					
				(A)	(B)	(C)	(D)	(E)	(F)
122	2	158601-51650	JOINT, OVER FLOW	1	1				
123	2	129927-51670	BRACKET	1	1				
124	2	158552-51670	JOINT, OVER FLOW	1	1				
126	2	158552-52100	PUMP ASSY, FUEL FEED	1	1				
127	3	158552-52500	O-RING	1	1				
128	2	119934-59910	JOINT, PIPE	1	1				
129	2	22190-120002	WASHER, SEAL 12	1	1				
130	2	22217-050000	WASHER, SPRING 5	1	1				
131	2	26106-060122	BOLT, M6X 12 PLATED	1	1				
132	2	26716-050002	NUT, M5	1	1				
133	2	27241-160000	PLUG, 16	1	1				
135	1	129927-51250	RETAINER, PUMP	1	1				
136	1	26106-080202	BOLT, M8X 20 PLATED	3	3				
137	1	26106-080302	BOLT, M8X 30 PLATED	3	3				

Remarks

(1) GOVERNOR ASSY (FIG.13) IS INCORPORATED IN THIS FUEL INJECTION PUMP (REF.NO.1).
* ECO PUMP
MAKE SURE TO UPDATE THE ENGINES ECU INFORMATION WHEN REPLACING THE ECO PUMP.
FAILING TO DO SO WILL RESULT IN ENGINE MALFUNCTION.

Fig.13. GOVERNOR



(A)=4TNV98-ZNCR
(B)=4TNV98-ZNCR2
(C)=

(D)=
(E)=
(F)=

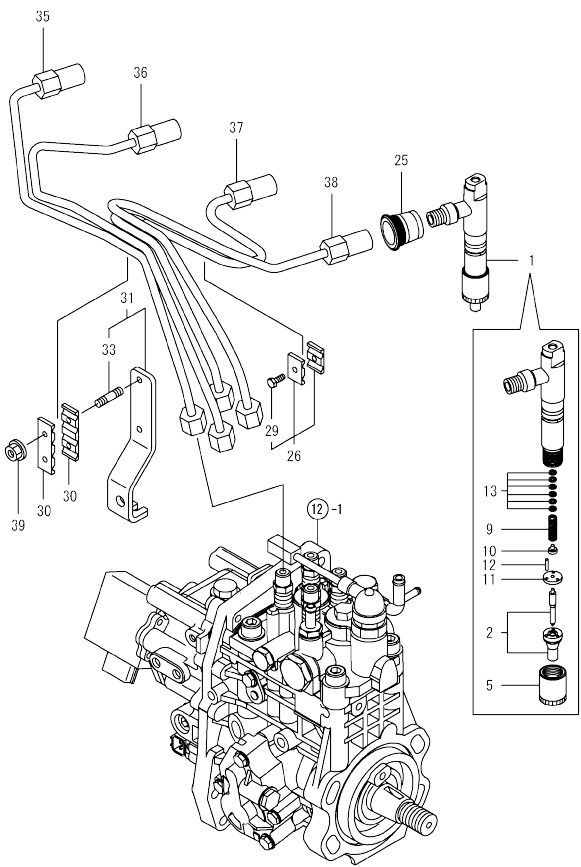
No.	Lev.	Parts No.	Description	Q'ty						I	R
				(A)	(B)	(C)	(D)	(E)	(F)		
19	2	129008-61301	NUT	1	1						
22	2	158557-61720	SENSOR	1	1						
23	2	158553-61780	GEAR, SENSOR	1	1						
24	2	23414-120000	GASKET, 12X1.0	1							
24-1	2	22190-120002	WASHER, SEAL 12	1	1						N
(A=2009.01)											
25	2	23887-120002	PLUG, 12	1							
25-1	2	158553-51930	PLUG, M12	1	1						R
(A=2009.03)											
26	2	24341-000480	O-RING, 1AS48.0	1	1						
27	2	26106-060252	BOLT, M6X 25 PLATED	10	10						
28	2	26106-080252	BOLT, M8X 25 PLATED	3	3						
29	2	26106-060162	BOLT, M6X 16 PLATED	1	1						

Remarks
* THIS FIGURE(GOVERNOR ASSY)IS
INCORPORATED IN THE FUEL INJECTION
PUMP ASSY(FIG.12).

Fig.14. FUEL INJECTION VALVE

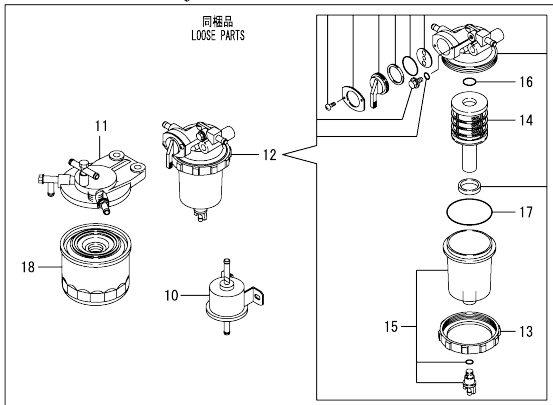
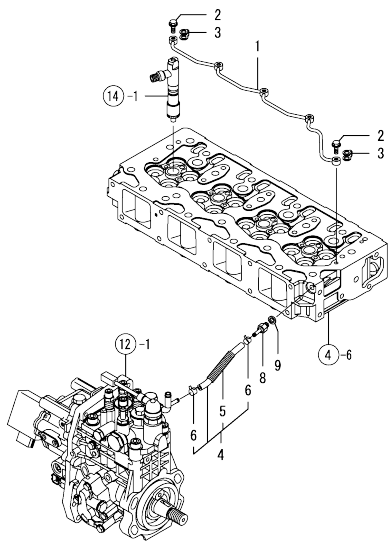
(A)=4TNV98-ZNCR
(B)=4TNV98-ZNCR2
(C)=

(D)=
(E)=
(F)=



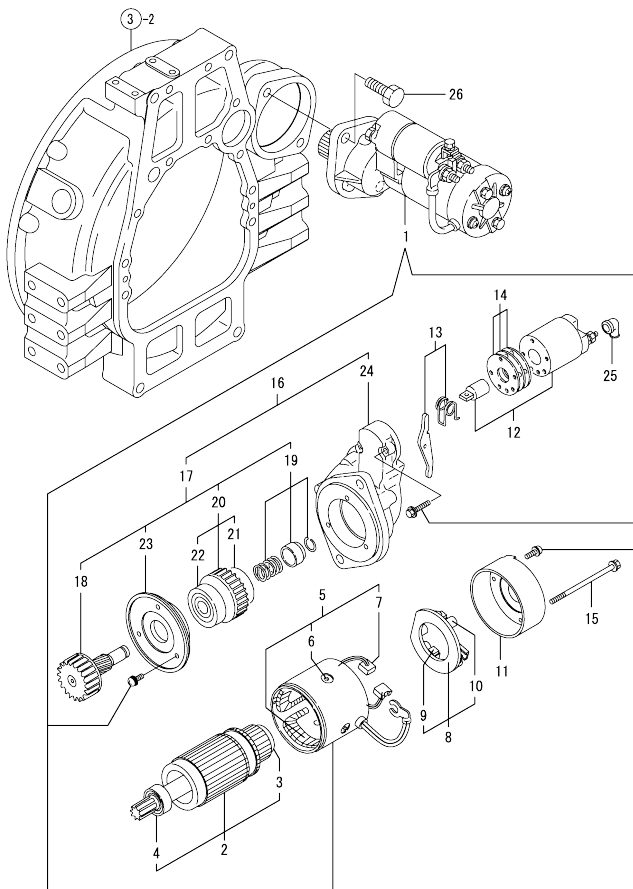
No.	Lev.	Parts No.	Description	Q'ty						I	R
				(A)	(B)	(C)	(D)	(E)	(F)		
1	1	729927-53100	VALVE ASSY,INJECTION	4	4						
2	2	129927-53000	VALVE ASSY,INJECTION	4	4						
5	2	114250-53080	NUT, NOZZLE D16.95	4	4						
9	2	114250-53120	SPRING, NOZZLE	4	4						
10	2	114250-53130	SEAT, SPRING	4	4						
11	2	114250-53140	PLATE	4	4						
12	2	114250-53210	PIN	8	8						
13	2	114250-53400	SHIM SET	4							
13-1	2	119803-53400	SHIM SET	4	4						R
(A=2009.02)											
25	1	123907-11601	SEAL	4	4						
26	1	119305-59120	RETAINER, PIPE	1	1						
29	2	129150-59131	BOLT, M4X14	1	1						
30	1	123472-59120	RETAINER, PIPE	2	2						
31	1	129973-59700	SUPPORT ASSY	1	1						
33	2	26216-060202	STUD, M6X 20	2	2						
35	1	129973-59810	PIPE ASSY, INJECTION	1	1						
36	1	129973-59820	PIPE ASSY, INJECTION	1	1						
37	1	129973-59830	PIPE ASSY, INJECTION	1	1						
38	1	129973-59840	PIPE ASSY, INJECTION	1	1						
39	1	26366-060002	NUT, M6	2	2						

Fig.15. FUEL LINE



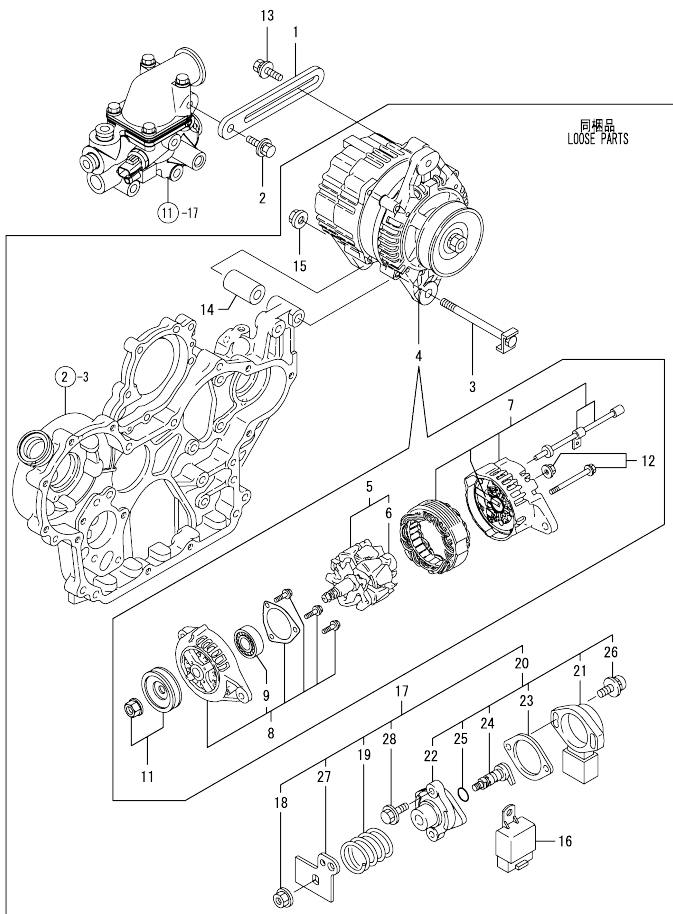
No.	Lev.	Parts No.	Description	Q'ty						
				(A)	(B)	(C)	(D)	(E)	(F)	
1	1	129907-59140	PIPE ASSY, RETURN	1	1					
2	1	123907-59540	BOLT, PIPE JOINT M6	5	5					
3	1	123907-59550	GASKET	5	5					
4	1	129927-59550	PIPE ASSY, RETURN	1	1					
5	2	129263-49750	TUBE, CORRUGATED	1	1					
6	2	124722-59050	CLIP, HOSE 9	2	2					
8	1	123907-59560	JOINT	1	1					
9	1	22190-080002	WASHER, SEAL 6	1	1					
10	1	119225-52102	PUMP ASSY, FUEL FEED	1	1					
11	1	129004-55612	BRACKET, FILTER	1	1					
12	1	119802-55700	SEPARATOR ASSY	1	1					
13	2	129100-55690	RING, RETAINING	1	1					
14	2	119802-55710	ELEMENT	1	1					
15	2	119802-55730	CUP ASSY	1	1					
16	2	24311-000160	O-RING, 1AP16.0	1	1					
17	2	24321-000650	O-RING, 1AG65.0	1	1					
18	1	119802-55801	FILTER, FUEL	1	1					

Fig.16. STARTING MOTOR



No.	Lev.	Parts No.	Description	Q'ty						I	R
				(A)	(B)	(C)	(D)	(E)	(F)		
1	1	129900-77010	STARTER(2.3KW	1	1						
2	2	129900-77400	ARMATURE ASSY	1	1						
3	3	X2114155110	BEARING, BALL	1	1						
4	3	X2114255110	BEARING, BALL	1	1						
5	2	129900-77440	COIL ASSY, FIELD	1	1						
6	3	171008-77450	SCREW	4	4						
7	3	129900-77450	BRUSH (+)	2	2						
8	2	129900-77480	HOLDER ASSY, BRASH	1	1						
9	3	129900-77450	BRUSH (+)	2	2						
10	3	X2130631300	SPRING, BRUSH	4	4						
11	2	129900-77460	COVER, REAR	1	1						
12	2	129900-77591	SWITCH ASSY,MAGNETIC	1	1						
13	2	129900-77620	SHIFT LEVER SET	1	1						
14	2	129900-77650	COVER ASSY, DUST	1	1						
15	2	129900-77640	BOLT, THROUGHT	2	2						
16	2	129900-77700	GEAR CASE ASY	1	1						
17	3	129900-77510	PINION ASSY	1	1						
18	4	129900-77540	SHAFT, PINION	1	1						
19	4	129900-77550	STOPPER SET	1	1						
20	4	129900-77520	CLUTCH ASSY	1	1						
21	5	171008-77730	BALL BEARING (3)	1	1						
22	5	171008-77740	BEARING	1	1						
23	4	129900-77610	RETAINER, BEARING	1	1						
24	3	129900-77710	HOUSING, GEARS	1	1						
25	2	171008-77750	COVER, M TERMINAL	1	1						
26	1	26116-120302	BOLT, M12X 30 PLATED	2	2						

Fig.17. GENERATOR

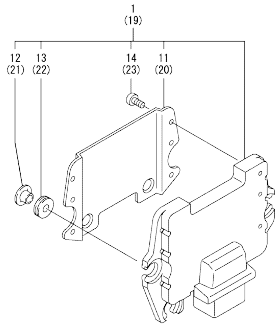


(A)=4TNV98-ZNCR
(B)=4TNV98-ZNCR2
(C)=

(D)=
(E)=
(F)=

No.	Lev.	Parts No.	Description	Q'ty						I	R
				(A)	(B)	(C)	(D)	(E)	(F)		
1	1	129900-77330	ADJUSTER	1	1						
2	1	26014-080252	BOLT, M8X 25	1	1						
3	1	129002-77280	BOLT ASSY	1							
3-1	1	129002-77281	BOLT, M10	1	1						N
4	1	129612-77290	ALTERNATOR, 12V-80A	1	1						
5	2	123910-77740	ROTOR ASSY	1	1						
6	3	129900-77810	BALL BEARING	1	1						
7	2	129612-77820	BRACKET ASSY	1	1						
8	2	129900-77890	BRACKET, FRONT	1	1						
9	3	129900-77900	BALL BEARING	1	1						
11	2	129900-77910	PULLEY	1	1						
12	2	129900-77920	SCREW KIT	1	1						
13	1	119810-77340	BOLT, ADJUSTER	1	1						
14	1	129002-77340	PIECE, DISTANCE	1	1						
15	1	26306-100002	NUT, M10	1	1						
16	1	198461-52950	RELAY, CA TYPE C	2							
16-1	1	198461-52950	RELAY, CA TYPE C	3	3						K
17	1	129938-77800	SENSOR ASSY	1	1						
18	2	194990-22130	NUT, M6	1	1						
19	2	119060-61990	SPRING, RETURN	1	1						
20	2	129054-77800	SENSOR ASSY	1	1						
21	3	185100-50070	BODY	1	1						
22	3	129054-77811	SUPPORT	1	1						
23	3	129054-77820	GASKET, SUPPORT	1	1						
24	3	129054-77830	SHAFT ASSY	1	1						
25	3	24311-000070	O-RING, 1AP7.0	1	1						
26	3	26023-040202	SCREW, M4X20	2	2						
27	2	129938-77810	LEVER	1	1						
28	2	26106-060122	BOLT, M6X 12 PLATED	2	2						

Fig.18. ELECTRONIC CONTROL UNIT (ECU)



(A)=4TNV98-ZNCR
(B)=4TNV98-ZNCR2
(C)=

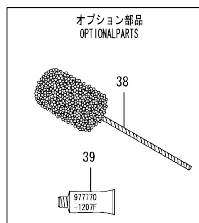
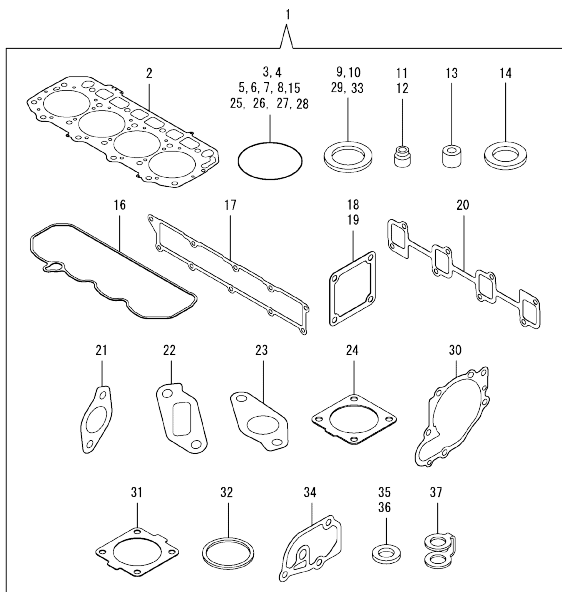
(D)=
(E)=
(F)=

No.	Lev.	Parts No.	Description	Q'ty						
				(A)	(B)	(C)	(D)	(E)	(F)	
1	1	129968-75060	CONTROLLER ASSY, EUC	1	1					1
11	2	129927-77600	SHIELD	1	1					
12	2	129927-77680	COLLAR	3	3					
13	2	119578-91351	ABSORBER	3	3					
14	2	22877-500080	SCREW, 5X 8	6	6					
19	1	129927-75900	CONTROLLER ASSY, EUC	1	1					2
20	2	129927-77600	SHIELD	1	1					
21	2	129927-77680	COLLAR	3	3					
22	2	119578-91351	ABSORBER	3	3					
23	2	22877-500080	SCREW, 5X 8	6	6					

Remarks

(1)ECO ECU
THIS PART CANNOT BE ORDERED.
REPLACE THE PART USING A SERVICE
ECU WITH THE PROPER ENGINE
INFORMATION INSTALLED.
(2)SERVICE ECU
IF THE PROPER INFORMATION IS NOT
INSTALLED, THE ENGINE WILL NOT
OPERATE.
TO INSTALL PROPER INFORMATION,
GO TO AN AUTHORIZED DISTRIBUTOR.

Fig.19. GASKET SET



(A)=4TNV98-ZNCR
(B)=4TNV98-ZNCR2
(C)=

(D)=
(E)=
(F)=

No.	Lev.	Parts No.	Description	Qty						I	R	
				(A)	(B)	(C)	(D)	(E)	(F)			
1	1	729968-92600	GASKET SET	1	1						1	
2	2	129907-01331	GASKET, HEAD	1	1							
3	2	129900-32030	O-RING, P20	2	2							
4	2	129900-32040	O-RING, P14	1	1							
5	2	24311-000070	O-RING, 1AP7.0	1	1							
6	2	24351-030750	O-RING, 1A3075	1	1							
7	2	24311-000320	O-RING, 1AP32.0	2	2							
8	2	24321-000850	O-RING, 1AG85.0	1	1							
9	2	22190-060003	SEAL WASER 6	1	1							
10	2	22190-160002	WASHER, SEAL 16	1	1							
11	2	119803-11340	SEAL, VALVE STEM	8	8							
12	2	124160-11340	SEAL, VALVE STEM	8	8							
13	2	119802-11870	PROTECTOR, NOZZLE	4	4							
14	2	119625-11880	SEAT, NOZZLE	4	4							
15	2	24311-000120	O-RING, 1AP12.0	8	8							
16	2	129933-11310	GASKET, BONNET	1	1							
17	2	129907-12110	GASKET, MANIFOLD	1	1							
18	2	119129-77020	GASKET	1	1							
19	2	121850-77021	GASKET	1	1							
20	2	129900-13251	GASKET	1	1							
21	2	129927-13810	GASKET	2	2							
22	2	129927-13910	GASKET	1	1							
23	2	129927-13920	GASKET	1	1							
24	2	129930-13201	GASKET, SILENCER	1	1							
25	2	24341-000530	O-RING, 1AS53.0	1	1							
26	2	24311-000200	O-RING, 1AP20.0	1	1							
27	2	24314-000200	O-RING, 4CP20.0	1	1							
28	2	24321-000600	O-RING, 1AG60.0	1	1							
29	2	22190-080002	WASHER, SEAL 6	9	9							
30	2	129900-42020	GASKET, WATER PUMP	1	1							
31	2	121850-49540	GASKET, THERMOSTAT	1	1							
32	2	121850-49550	GASKET, THERMOSTAT	1	1							
33	2	22190-120002	WASHER, SEAL 12	1	1							
34	2	129900-49870	GASKET	1	1							
35	2	23414-080000	GASKET, 8X1.0	1	1							
36	2	124465-44950	GASKET, 16	2	2							
37	2	123907-59550	GASKET	5	5							
38	1	129400-92450	HONE	1	1							1
39	1	97770-1207F	GASKET, LIQUID	1	1							1

Remarks
(1) OPTIONAL PART.

Parts No. Index

Parts No.	Fig. No.	Ref. No.
105010-39140	10	35
105425-01690	3	12
114250-53080	14	5
114250-53120	14	9
114250-53130	14	10
114250-53140	14	11
114250-53210	14	12
114250-53400	14	13
119000-35140	10	37
119005-44761	11	15
119005-77051	5	7
119060-61990	17	19
119129-77020	5	5
	19	18
119129-77520	5	8
119131-18320	6	2 A
	22	2
119225-52102	15	10
119305-59120	14	26
119309-01810	1	31
119578-91351	18	13
	22	22
119593-11301	4	32
119620-01750	3	7
119620-11180	4	16
119625-11880	4	28
	19	14
119640-61400	4	63
119761-39450	10	24
	24	-2
119802-11870	4	27
	19	13
119802-13680	6	6
119802-51680	12	63
119802-51690	12	64
119802-55700	15	12
119802-55710	15	14
119802-55730	15	15
119802-55801	15	18
119803-11340	4	17
	19	11
119803-53400	14	13 -1
119810-77340	17	13
119852-51630	12	68
119852-51640	12	69
119852-51650	12	71
119860-34810	10	17
119934-59910	12	128
120130-22301	8	23
121023-26070	2	31

Parts No.	Fig. No.	Ref. No.
121252-39450	10	24 -1
121450-42450	11	34
121850-21130	8	13
121850-21290	8	4
	5	5
	9	4
	5	5
121850-21920	8	6
121850-49540	11	21
	19	31
121850-49550	11	23
	19	32
121850-49800	11	24
121850-77021	5	6
	19	19
123472-59120	14	30
123900-25060	7	9
123907-03100	4	57
123907-03110	4	58
123907-03120	4	59
123907-03140	4	60
123907-11280	4	37
123907-11550	4	5
123907-11601	14	25
123907-11820	4	23
123907-11830	4	22
123907-39500	10	27
123907-59540	15	2
123907-59550	15	3
	19	37
123907-59560	15	8
123910-77740	17	5
124160-01751	2	25
	4	52
124160-11340	4	18
	19	12
124160-11360	4	68
124411-01780	3	21
124465-44950	11	35
	19	36
124722-59050	15	6
128610-14120	9	3
129001-91810	2	28
	39	39
129001-91841	3	17
129002-77280	17	3
129002-77281	17	3 -1
129002-77340	17	14
129004-55612	15	11
129005-59830	10	29

Parts No.	Fig. No.	Ref. No.
129008-61301	13	19
129054-77800	17	20
129054-77811	17	22
129054-77820	17	23
129054-77830	17	24
129100-01580	1	29
	30	30
	2	1
	3	1
129100-55690	15	13
129122-44480	10	7
	42	42
129150-02450	7	4
129150-11230	4	40
	44	44
129150-11750	4	21
	41	41
	45	45
129150-14200	7	1
129150-25920	7	13
129150-35153	10	19
129150-59131	14	29
129263-13210	6	4
129263-49750	15	5
129263-77941	12	121
129400-92450	19	38
129418-18320	6	3
	23	23
129466-49300	10	9
	43	43
129612-77290	17	4
129612-77820	17	7
129657-51590	12	58
129657-51600	12	59
129693-44310	3	16
129795-01960	9	1
129900-01200	1	27
129900-01250	1	4
129900-01740	2	27
129900-01850	2	37
129900-01870	2	38
129900-02020	1	7
129900-02341	1	35
129900-02410	1	10
129900-02931	1	24
129900-02941	1	38
129900-13251	6	5
	19	20
129900-14110	7	6
129900-14140	2	42

Parts No.	Fig. No.	Ref. No.
129900-21220	8	3
129900-21600	8	16
129900-23001	8	25
129900-23200	8	28
129900-23601	8	29
129900-23611	8	32
129900-23911	8	31
129900-25110	7	10
129900-26030	7	20
129900-26250	2	43
129900-32030	2	17
	10	20
	19	3
129900-32040	2	18
	19	4
129900-42020	11	11
	19	30
129900-42450	11	14
129900-49870	11	30
	19	34
129900-77010	16	1
129900-77330	17	1
129900-77400	16	2
129900-77440	16	5
129900-77450	16	7
	9	9
129900-77460	16	11
129900-77480	16	8
129900-77510	16	17
129900-77520	16	20
129900-77540	16	18
129900-77550	16	19
129900-77591	16	12
129900-77610	16	23
129900-77620	16	13
129900-77640	16	15
129900-77650	16	14
129900-77700	16	16
129900-77710	16	24
129900-77810	17	6
129900-77890	17	8
129900-77900	17	9
129900-77910	17	11
129900-77920	17	12
129906-51580	12	56
129907-01331	1	28
	19	2
129907-03011	4	54
129907-03061	4	55
129907-03070	4	56

Parts No. Index

Parts No.	Fig. No.	Ref. No.	Parts No.	Fig. No.	Ref. No.	Parts No.	Fig. No.	Ref. No.	Parts No.	Fig. No.	Ref. No.
129907-11100	4	13	129927-77680	18	12	129968-49610	11	36	175339-79700	4	64
129907-11110	4	14			21	129968-49620	11	40	185100-50070	17	21
129907-11120	4	15	129928-13900	6	14 -1	129968-49850	11	44	194990-22130	17	18
129907-11250	4	34	129930-13201	6	19	129968-75060	18	1	198461-52950	17	16
129907-11260	4	35		19	24	129972-01731	3	15			16 -1
129907-11270	4	36	129930-39050	10	34	129972-33140	10	6	22190-060003	3	5
129907-11341	4	33	129933-11310	4	62	129973-07901	4	1		19	9
129907-11510	4	19		19	16	129973-07910	4	2	22190-080002	10	30
129907-11650	4	38	129938-49810	11	17	129973-13840	6	9			32
129907-11660	4	42	129938-77800	17	17	129973-21670	8	40			36
129907-11800	4	26	129938-77810	17	27	129973-42290	11	47		15	9
129907-11910	4	29	129942-21000	8	1	129973-59700	14	31		19	29
129907-11920	4	46	129953-25300	7	15	129973-59810	14	35	22190-120002	11	26
129907-11950	4	30	129956-01640	3	19	129973-59820	14	36		12	98
129907-12110	5	2	129956-01700	3	10	129973-59830	14	37			104
	19	17	129956-01710	1	5	129973-59840	14	38			129
129907-14400	7	2	129956-28009	9	2	129980-49530	11	20		13	24 -1
129907-25900	7	16	129956-28019	9	6	144626-51090	12	9		19	33
129907-49630	10	10	129956-28101	9	10	158552-51570	12	54	22190-160002	3	14
129907-49650	10	12	129956-28111	9	11	158552-51571	12	54 -1		19	10
129907-51560	12	53	129956-28180	9	12	158552-51580	12	57	22190-180002	12	99
129907-59140	15	1	129956-28321	8	7	158552-51670	12	124	22217-050000	12	130
129908-14590	7	3	129956-28332	9	13	158552-51781	12	96	22217-180000	7	18
129916-01800	2	36	129956-28341	9	14	158552-52100	12	126		12	105
129916-21610	8	9	129956-32001	2	4	158552-52310	12	102	22252-000300	8	24
129920-01732	3	11	129956-33011	10	1	158552-52400	12	103	22312-050140	12	106
129920-35080	10	21			39	158552-52500	12	127	22351-050010	12	107
129927-11320	4	53	129956-33101	10	3	158553-51670	12	62	22351-060012	1	11
129927-11700	4	6	129956-33110	10	4	158553-51680	12	74	22512-070140	7	7
129927-13810	6	8	129956-33120	10	5	158553-51930	12	100 -1		8	41
	19	21			41		13	25 -1	22857-500100	4	65
129927-13900	6	14	129956-34810	10	18	158553-61780	13	23			66
129927-13910	6	15	129956-49172	10	8	158557-51570	12	55	22877-500080	18	14
	19	22	129957-33050	10	2	158557-61720	13	22			23
129927-13920	6	16			40	158563-51150	7	17	23000-025000	10	13
	19	23	129960-21640	8	10		12	12	23080-012000	11	39
129927-22050	8	19	129962-01500	2	3	158563-51281	12	19			43
129927-39060	10	25	129963-21650	8	11		12	20	23414-080000	11	31
129927-42000	11	1	129963-42290	11	46	158563-51330	12	30		19	35
129927-44900	11	18	129968-01650	3	2	158600-51270	12	18	23414-120000	13	24
129927-51250	12	135	129968-01670	3	4	158601-51550	12	52	23857-030000	10	31
129927-51390	12	20 A	129968-12100	5	1	158601-51650	12	122	23875-030000	11	27
129927-51650	12	119	129968-12101	5	1 -1	158601-51770	12	95	23876-005000	9	15
129927-51660	12	120	129968-13100	6	21	158601-51790	12	97	23876-020000	4	10
129927-51670	12	123	129968-13110	6	2	171008-77450	16	6	23876-030000	1	12
129927-53000	14	2	129968-13150	6	20	171008-77730	16	21			13
129927-59550	15	4	129968-13160	6	1	171008-77740	16	22		4	11
129927-75900	18	19	129968-13850	6	10	171008-77750	16	25	23887-120002	12	100
129927-77600	18	11	129968-21580	8	14	171051-01921	1	6		13	25
		20	129968-22080	8	17	171056-49120	10	38	24311-000070	2	19

Parts No. Index

Parts No.	Fig. No.	Ref. No.
24311-000070	12	108
	17	25
	19	5
24311-000120	4	31
		69
	19	15
24311-000160	15	16
24311-000200	9	17
	19	26
24311-000320	2	26
	4	70
	19	7
24314-000200	10	14
		44
	19	27
24321-000600	10	15
		45
	19	28
24321-000650	15	17
24321-000850	2	32
	19	8
24341-000480	13	26
24341-000530	8	12
	19	25
24351-030750	2	20
	19	6
24356-010200	12	65
		109
24356-020210	12	110
24372-000150	12	66
25152-004200	11	46 -1
26014-080252	17	2
26023-040202	17	26
26106-060102	12	111
26106-060122	3	6
	4	67
	12	131
	17	28
26106-060142	10	16
26106-060162	13	29
26106-060202	11	28
26106-060252	13	27
26106-060302	11	12
26106-060352	12	112
26106-060552	11	29
26106-080122	3	18
	10	33
	11	32
26106-080142	10	22
	11	45

Parts No.	Fig. No.	Ref. No.
26106-080162	2	21
		29
		40
	6	11
		12
	7	8
	9	16
26106-080202	2	22
	4	3
		4
	10	23
	12	136
26106-080252	13	28
26106-080302	3	22
	12	137
26106-080402	2	30
		41
	4	48
	5	9
26106-080452	2	23
	11	16
26106-080552	5	3
	7	14
	11	13
26106-080602	4	49
		50
	9	18
	11	33
26106-080702	2	28 -1
		39 -1
26106-080852	3	17 -1
	5	4
26106-080902	5	10
26106-100202	2	33
26106-100302	6	13
		17
26106-100952	6	18
26116-120302	16	26
26206-100352	3	8
26206-100702	3	9
26206-120702	10	46
26216-060202	14	33
26216-100302	2	16
26226-080222	4	47
26306-080002	4	51
	6	7
26306-100002	2	24
	17	15
26366-060002	14	39
26450-100452	12	115

Parts No.	Fig. No.	Ref. No.
26716-050002	12	132
26776-180002	7	19
	12	116
27241-160000	12	133
27241-300000	1	14
27241-400000	4	12
27310-070001	4	24
729900-02801	1	32
729906-01550	2	34
729927-22950	8	36
729927-53100	14	1
729968-01560	1	1
729968-22900	8	34
729968-51300	12	1
729968-92600	19	1
977770-1207F	19	39
X2114155110	16	3
X2114255110	16	4
X2130631300	16	10

Parts No.	Fig. No.	Ref. No.
-----------	----------	----------