

0CD11-M17400EN

P R E F A C E

1. This parts catalog is the 1st edition of 4TNV98-ZNNA for NAJIKO.

Pub.No. : 0CD11-G17400

Published : October, 2012

2. Model name

Engine model	Vehicle	Vehicle made by
4TNV98-ZNNA	FLUE GAS FAN	NAJIKO

Directions for the Parts Catalog.

1. This Parts Catalog shows both standard and optional parts.
2. Parts may change without prior notice.
3. The following is an example of the Parts Catalog format.

REF.	LEV.	PARTS NO.	DESCRIPTION	Q'TY						I	R
				(A)	(B)	(C)	(D)	(E)	(F)		
1	1	729595-51390	FUEL INJECTION PUMP	1	1	1	1	1			1
1-1	1	729595-51391	FUEL INJECTION PUMP	1	1	1	1	1		N	1
		(A=E00185) (B=E00200)									
3	2	26022-060162	SCREW M 6X 16	9	9	9	9	9			
3-1	2	26022-060162	SCREW M 6X 16	4	4	4	4	4		K	
		(A=E00156) (B=E00156) (C=E00156) (D=E00156) (E=E00156)									
4	2	129470-51040	CAMSHAFT	1	1	1	1	1			
5	2	122710-51050	BEARING, ROLLER	2	2	2	2	2			
6	2	129470-51060	RETAINER	1	1	1	1	1			

Remarks
(1) BOOST COMPEMSATOR TYPE. OPTIONAL PART, TO E00155,(4JH-DT, 4JH-DTZ

① Ref. No.

The Ref. No. listed may not be in accordance with the illustration Ref. No.

(Ex.) Illustration No.

List Ref No.

1 1 (Before change) → 1-1 (After change)

For interchangeable symbols N, R and K, illustrations for new parts may be abbreviated.

② Lev. (Level)

Level indication

The numbers below indicate the level of relativity towards the main part.

1 ---- Main parts (Assembly parts)

2 ---- Sub component included in " 1 ".

3 ---- Sub component included in " 2 ".

Note) Parts that are not for sale are partially illustrated but not listed.

③ Interchangeability Symbol

When a part change takes place, one of the following interchangeability symbols is indicated beside the part.

Symbol	Interchangeability	Contents note
N	Old $\begin{matrix} \leftarrow \text{Yes} \\ \text{No} \rightarrow \end{matrix}$ New	New Part is interchangeable for Old Part but Old Part is not interchangeable for New Part.
Q	Old $\begin{matrix} \leftarrow \text{No} \\ \text{Yes} \rightarrow \end{matrix}$ New	New Part is not interchangeable for Old Part but Old Part is interchangeable for New Part.
R	Old $\begin{matrix} \leftarrow \text{Yes} \\ \text{Yes} \rightarrow \end{matrix}$ New	New/ Old Parts are both interchangeable.
S	Old $\begin{matrix} \leftarrow \text{No} \\ \text{No} \rightarrow \end{matrix}$ New	New/ Old Parts are both not interchangeable.
W		Part newly added.
Z		Part discontinued.
F		Not interchangeable by a single part but interchangeable together with related parts.
K		Changes only for used parts quantities.

④ Effective Machine No.

When a part changes, the effective Machine No. will be indicated in the (A)-(F) column.

Product Symbol	Product No.	Product Symbol	Product No.
C	Clutch No. Compressor No.	F	Machine No. (Agricultural Equip.)
D	Drive No.	M	Machine No.
E	Engine No.		

Note 1) A date may follow the symbol. (Ex.) 1996.01

Note 2) "XXXXX" and "ZZZZZ" are for parts that could not be predicted or for engine models that could not be identified.

Note 3) (A=E00185) is the E (Engine Serial Number) for the column (A) model (in this case 4JH-DT) after the parts design change.

⑤ Remarks

Figures or alphabets (symbols) are entered in the remarks column.

The comments (remarks) on parts that are indicated at the bottom of the illustration are the same symbols as those stated above.

Contents

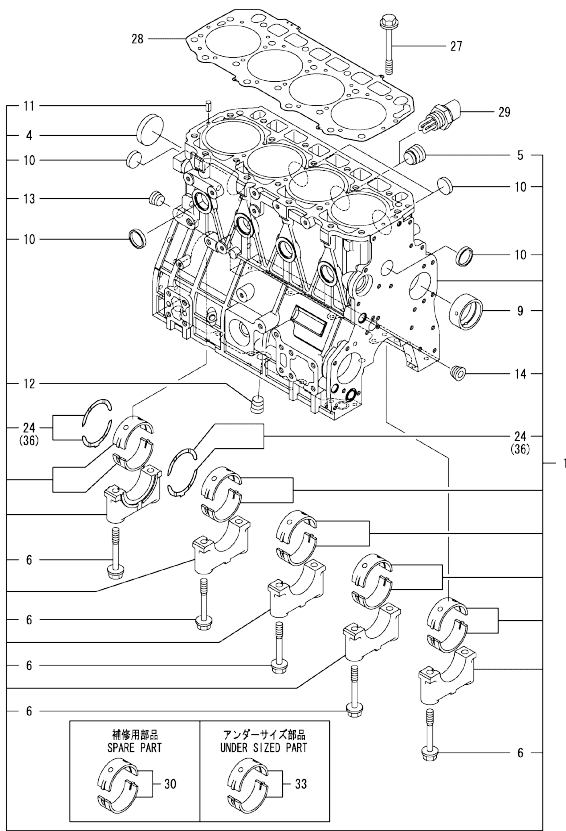
0CD11-M17400

Fig. No.	Fig. Name	Fig. No.	Fig. Name
4TNV98-ZNNA			
1.	CYLINDER BLOCK		
2.	GEAR HOUSING		
3.	FLYWHEEL HOUSING & OIL SUMP		
4.	CYLINDER HEAD & BONNET		
5.	SUCTION MANIFOLD & AIR CLEANER		
6.	EXHAUST MANIFOLD & SILENCER		
7.	CAMSHAFT & DRIVING GEAR		
8.	CRANKSHAFT & PISTON		
9.	LUB.OIL SYSTEM		
10.	COOLING WATER SYSTEM		
11.	FUEL INJECTION PUMP		
12.	GOVERNOR		
13.	FUEL INJECTION VALVE		
14.	FUEL LINE		
15.	ENGINE CONTROL DEVICE		
16.	STARTING MOTOR		
17.	GENERATOR		
18.	ELECTRONIC CONTROL UNIT (ECU)		
19.	ELECTRIC PARTS		
20.	GASKET SET		

Fig.1. CYLINDER BLOCK

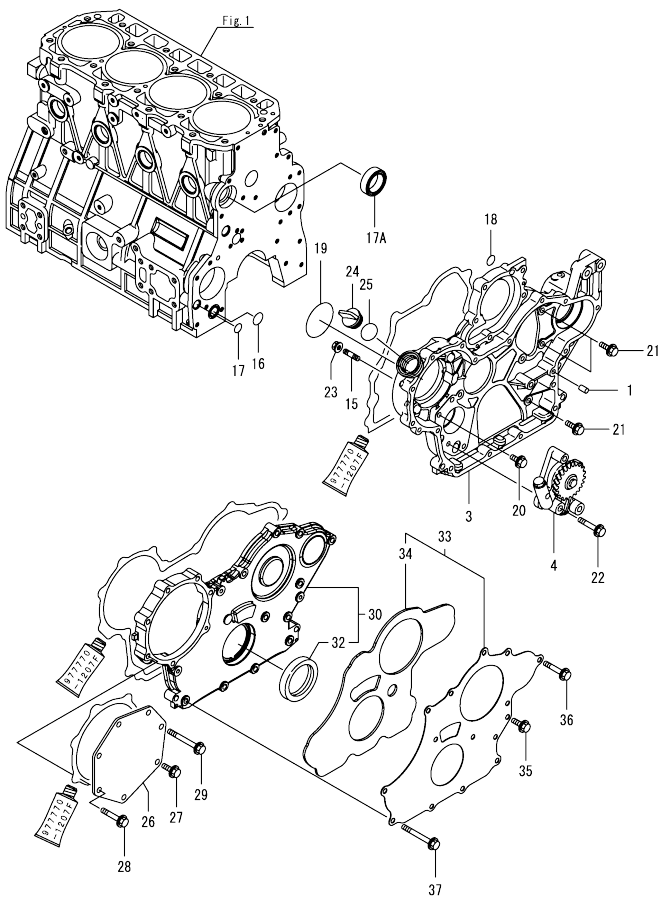
(A)=4TNV98-ZNNA
(B)=
(C)=

(D)=
(E)=
(F)=



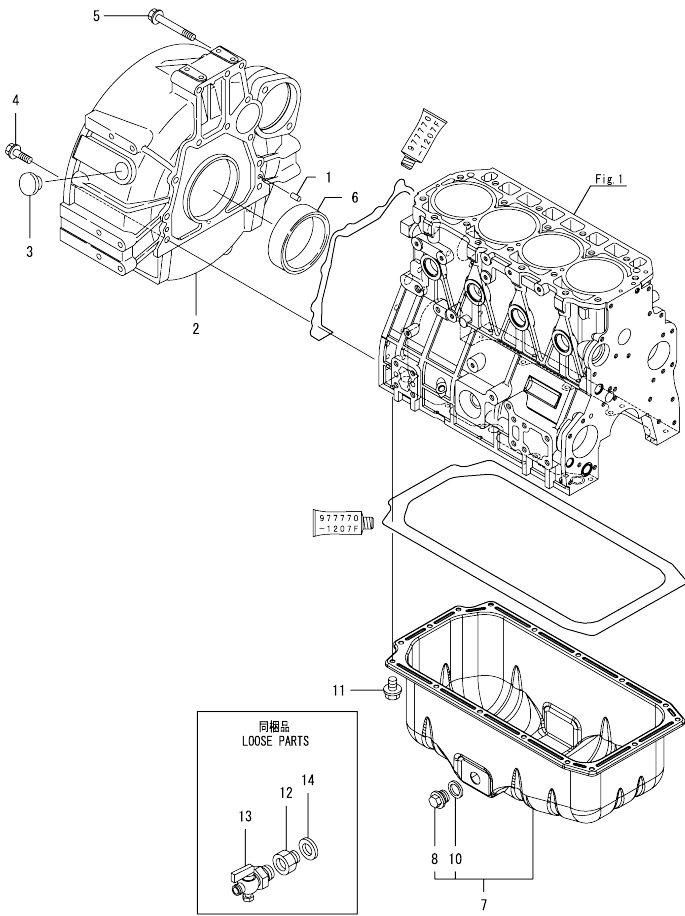
No.	Lev.	Parts No.	Description	Q'ty						I	R
				(A)	(B)	(C)	(D)	(E)	(F)		
1	1	729927-01560	BLOCK ASSY, CYLINDER	1							
4	2	129900-01250	PLUG, DISH TYPE 55	1							
5	2	171051-01921	PLUG, NPTF1	1							
6	2	129900-02020	BOLT, METAL CAP	10							
9	2	129900-02410	BUSH, CAMSHAFT	1							
10	2	27241-300000	PLUG 30	8							
11	2	22351-060012	PIN, SPRING 6.0X12	2							
12	2	23876-030000	PLUG, R03	1							
13	2	23876-030000	PLUG, R03	1							
14	2	23876-030000	PLUG, R03	1							
24	2	129900-02931	BEARING ASSY, THRUST	2							
27	1	129900-01200	BOLT, CYLINDER HEAD	18							
28	1	129907-01331	GASKET, HEAD	1							
29	1	46150-504500	HEATER	1							
30	1	729900-02801	BEARING, MAIN	5							1
33	1	129900-02341	BEARING ASSY, MAIN	5							2
36	1	129900-02941	BEARING, THRUST 0.25	2							3

Remarks
(1)Spare part.
(2)Under-sized(U.S.=0.25)part.
(3)Over-sized(O.S.=0.25)part.



No.	Lev.	Parts No.	Description	Qty						I	R
				(A)	(B)	(C)	(D)	(E)	(F)		
1	1	129100-01580	PIN, PARALLEL 8X16	4							
3	1	129944-01500	CASE, GEAR	1							
4	1	129900-32001	PUMP ASSY, OIL	1							
15	1	26216-100302	STUD, M10X 30	4							
16	1	129900-32030	O-RING, P20	1							
17	1	129900-32040	O-RING, P14	1							
17A	1	129927-42140	GASKET, PUMP OUTLET	1							W
(A=ET4376)											
18	1	24311-000070	O-RING, 1AP7.0	1							
19	1	24351-030750	O-RING, 1A3075	1							
20	1	26106-080162	BOLT, M8X 16 PLATED	1							
21	1	26106-080202	BOLT, M8X 20 PLATED	3							
22	1	26106-080452	BOLT, M8X 45 PLATED	3							
23	1	26306-100002	NUT, M10	4							
24	1	124160-01751	CAP, FILLER	1							
25	1	24311-000320	O-RING, 1AP32.0	1							
26	1	129951-01740	COVER	1							
27	1	26106-080202	BOLT, M8X 20 PLATED	1							
28	1	26106-080452	BOLT, M8X 45 PLATED	5							
29	1	26106-080752	BOLT, M8X 75 PLATED	1							
30	1	729907-01559	COVER ASSY,GEAR CASE	1							
32	2	129916-01800	SEAL, OIL	1							
33	1	129900-01850	COVER ASSY,GEAR CASE	1							
34	2	129900-01870	SPONGE, GEAR CASE	1							
35	1	26106-080162	BOLT, M8X 16 PLATED	3							
36	1	26106-080402	BOLT, M8X 40 PLATED	5							
37	1	26106-080702	BOLT, M8X 70 PLATED	6							

Fig.3. FLYWHEEL HOUSING & OIL SUMP

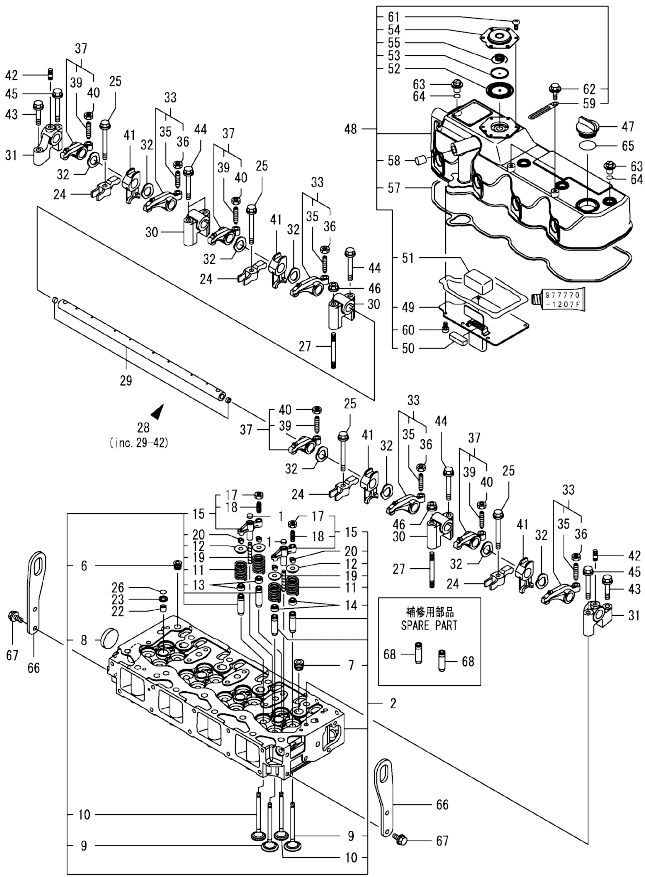


(A)=4TNV98-ZNNA
(B)=
(C)=

(D)=
(E)=
(F)=

No.	Lev.	Parts No.	Description	Q'ty						I	R
				(A)	(B)	(C)	(D)	(E)	(F)		
1	1	129100-01580	PIN, PARALLEL 8X16	2							
2	1	129955-01600	HOUSING, FLYWHEEL	1							
3	1	119620-01750	CAP	1							
4	1	26206-100352	BOLT, M10X 35 PLATED	9							
5	1	26206-100702	BOLT, M10X 70 PLATED	3							
6	1	129916-01790	SEAL, D115/95XT11	1							
7	1	129982-01710	OIL PAN ASSY	1							
8	2	119640-01640	PLUG, DRAIN M22	1							
10	2	22190-220002	WASHER, SEAL 22	1							
11	1	26106-080122	BOLT, M8X 12 PLATED	16							
12	1	129113-01740	SOCKET, M22XPT3/8	1							
13	1	105010-11920	COCK, WATER	1							
14	1	23414-220000	GASKET, 22X1.0	1							

Fig.4. CYLINDER HEAD & BONNET



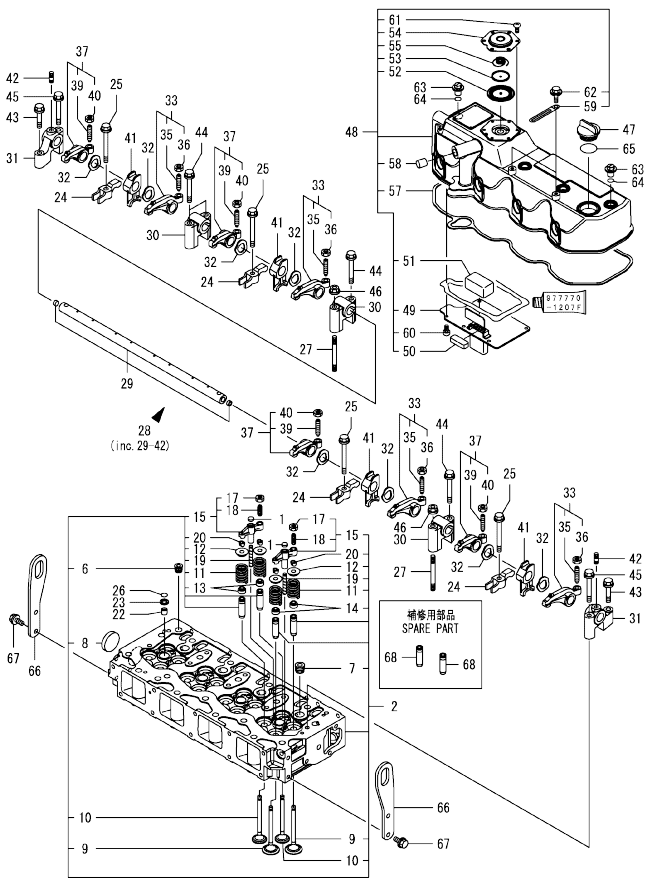
(A)=4TNV98-ZNNA
(B)=
(C)=

(D)=
(E)=
(F)=

No.	Lev.	Parts No.	Description	Q'ty						I	R
				(A)	(B)	(C)	(D)	(E)	(F)		
1	1	123907-11550	SEAT, VALVE BRIDGE	8							
2	1	129927-11700	HEAD ASSY, CYLINDER	1							
6	2	23876-020000	PLUG, R02	1							
7	2	23876-030000	PLUG, R03	4							
8	2	27241-400000	PLUG, 40	1							
9	2	129907-11100	VALVE, SUCTION	8							
10	2	129907-11110	VALVE, EXHAUST	8							
11	2	129907-11120	SPRING, VALVE	16							
12	2	119620-11180	RETAINER, SPRING	16							
13	2	119803-11340	SEAL, VALVE STEM	8							
14	2	124160-11340	SEAL, VALVE STEM	8							
15	2	129907-11510	BRIDGE ASSY, VALVE	8							
17	3	129150-11750	NUT, M8	8							
18	3	123907-11830	ADJUSTER	8							
19	2	123907-11820	GUIDE, BRIDGE	8							
20	2	27310-070001	COTTER, 7	16							
22	1	119802-11870	PROTECTOR, NOZZLE	4							
23	1	119625-11880	SEAT, NOZZLE	4							
24	1	129907-11910	RETAINER, NOZZLE	4							
25	1	129907-11950	BOLT, M8X75	4							
26	1	24311-000120	O-RING, 1AP12.0	4							
27	1	119593-11301	BOLT, STUD M8X80	2							
28	1	129907-11341	SHAFT ASSY, ROCKER	1							
29	2	129907-11250	SHAFT, ROCKER ARM	1							
30	2	129907-11260	SUPPORT, ROCKER ARM	3							
31	2	129907-11270	SUPPORT, ROCKER ARM	2							
32	2	123907-11280	WASHER	8							
33	2	129907-11650	ARM ASSY, ROCKER	4							
35	3	129150-11230	SCREW, VALVE ADJUST	4							
36	3	129150-11750	NUT, M8	4							
37	2	129907-11660	ARM ASSY, ROCKER	4							
39	3	129150-11230	SCREW, VALVE ADJUST	4							
40	3	129150-11750	NUT, M8	4							
41	2	129907-11920	RETAINER, NOZZLE	4							
42	2	26226-080222	STUD, M8X 22	2							
43	1	26106-080402	BOLT, M8X 40 PLATED	2							
44	1	26106-080602	BOLT, M8X 60 PLATED	4							
45	1	26106-080602	BOLT, M8X 60 PLATED	2							
46	1	26306-080002	NUT, M8	2							
47	1	124160-01751	CAP, FILLER	1							
48	1	129927-11320	BONNET ASSY, HEAD	1							
49	2	129907-03011	PLATE, BAFFLE	1							
50	2	129907-03061	BAFFLE, BREATHER	1							
51	2	129907-03070	BAFFLE, BREATHER	1							
52	2	123907-03100	DIAPHRAGM	1							
53	2	123907-03110	PLATE	1							
54	2	123907-03120	PLATE, BREATHER	1							
55	2	123907-03140	SPRING, DIAPHRAGM	1							
57	2	129933-11310	GASKET, BONNET	1							
58	2	119640-61400	PLUG	1							
59	2	175339-79700	CLIP	2							

Remarks
(1) Spare part.

Fig.4. CYLINDER HEAD & BONNET



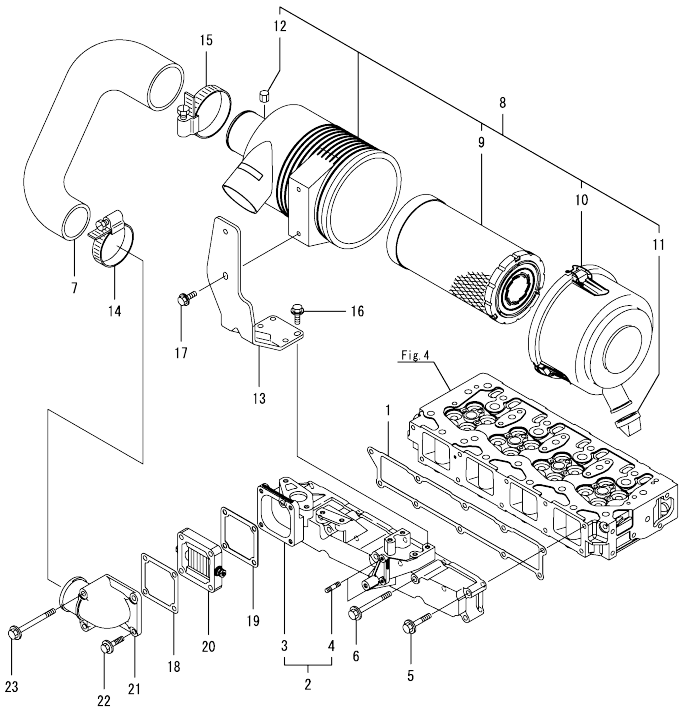
(A)=4TNV98-ZNNA
(B)=
(C)=

(D)=
(E)=
(F)=

No.	Lev.	Parts No.	Description	Q'ty						I	R
				(A)	(B)	(C)	(D)	(E)	(F)		
60	2	22857-500100	SCREW, 5X10	6							
61	2	22857-500100	SCREW, 5X10	6							
62	2	26106-060122	BOLT, M6X 12 PLATED	2							
63	1	124160-11360	KNOB	4							
64	1	24311-000120	O-RING, 1AP12.0	4							
65	1	24311-000320	O-RING, 1AP32.0	1							
66	1	129907-07900	LIFTER, ENGINE	2							
67	1	26106-080162	BOLT, M8X 16 PLATED	4							
68	1	129907-11800	GUIDE, VALVE	16							1

Remarks
(1)Spare part.

Fig.5. SUCTION MANIFOLD & AIR CLEANER

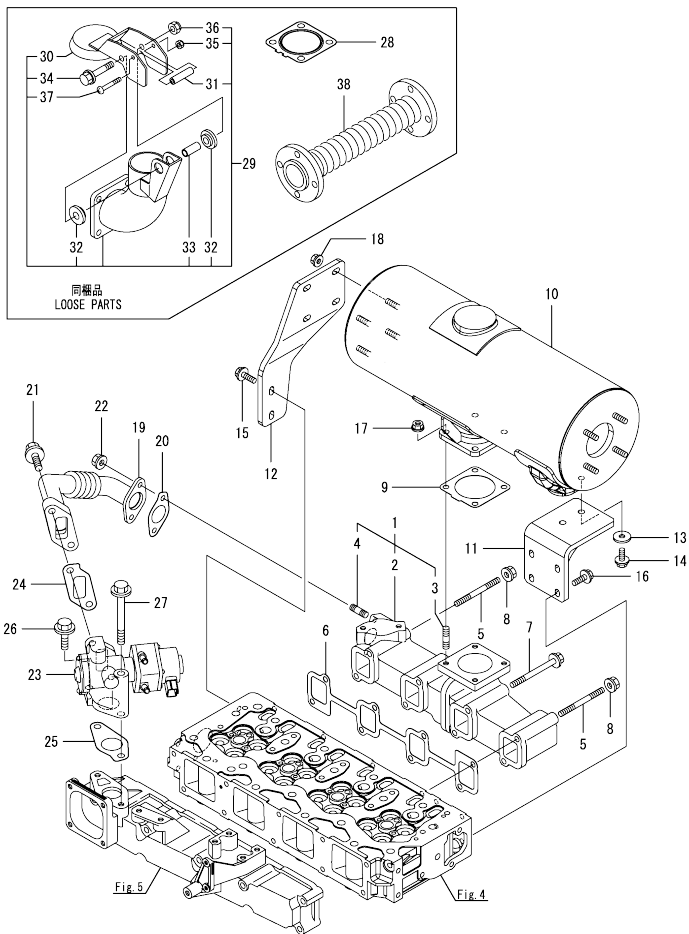


(A)=4TNV98-ZNNA
(B)=
(C)=

(D)=
(E)=
(F)=

No.	Lev.	Parts No.	Description	Q'ty						I	R
				(A)	(B)	(C)	(D)	(E)	(F)		
1	1	129907-12110	GASKET, MANIFOLD	1							
2	1	129927-12150	MANIFOLD ASSY,INTAKE	1							
3	2	129927-12100	MANIFOLD, AIR INTAKE	1							
4	2	26216-060202	STUD, M6X 20	2							
5	1	26106-080452	BOLT, M8X 45 PLATED	6							
6	1	26106-080802	BOLT, M8X 80 PLATED	4							
7	1	129927-12060	HOSE, AIR INTAKE	1							
8	1	129933-12500	AIR CLEANER ASSY	1							
9	2	129935-12520	ELEMENT, OUTER	1							
10	2	119160-12530	COVER ASSY	1							
11	2	119160-12540	VALVE	1							
12	2	121820-12590	NIPPLE	1							
13	1	129949-12560	BRACKET, CLEANER	1							
14	1	23000-080000	CLAMP, 80	1							
15	1	23000-090000	CLAMP, 90	1							
16	1	26013-080222	BOLT, SPRING M8X 22	4							
17	1	26013-080222	BOLT, SPRING M8X 22	2							
18	1	119129-77020	GASKET	1							
19	1	121850-77021	GASKET, AIR HEATER	1							
20	1	119005-77051	HEATER, AIR	1							
21	1	119129-77520	BEND	1							
22	1	26106-080402	BOLT, M8X 40 PLATED	2							
23	1	26106-080902	BOLT, M8X 90 PLATED	2							

Fig.6. EXHAUST MANIFOLD & SILENCER

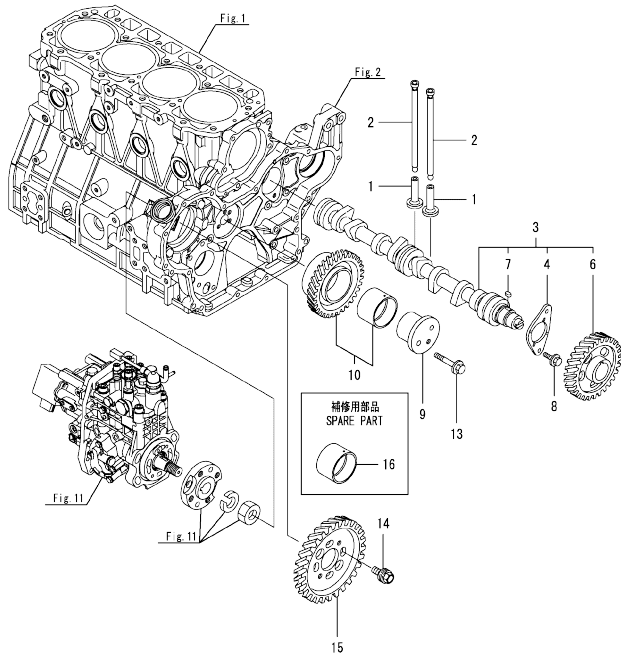


(A)=4TNV98-ZNNA
(B)=
(C)=

(D)=
(E)=
(F)=

No.	Lev.	Parts No.	Description	Q'ty						I	R
				(A)	(B)	(C)	(D)	(E)	(F)		
1	1	129927-13150	MANIFOLD ASSY, EXH.	1							
2	2	129927-13101	MANIFOLD, EXHAUST	1							
3	2	119131-18320	BOLT, STUD M8X22	4							
4	2	129418-18320	BOLT, STUD M8X20	2							
5	1	129263-13210	BOLT, STUD M8X90	2							
6	1	129900-13251	GASKET, EXH.MANIFOLD	1							
7	1	119802-13680	BOLT, M8X90 10.9T	6							
8	1	26306-080002	NUT, M8	2							
9	1	129930-13201	GASKET, SILENCER	1							
10	1	129938-13520	SILENCER	1							
11	1	129944-13660	STAY, SILENCER	1							
12	1	129938-13670	STAY, SILENCER	1							
13	1	22157-080000	WASHER, 8	2							
14	1	26106-080162	BOLT, M8X 16 PLATED	2							
15	1	26106-080202	BOLT, M8X 20 PLATED	2							
16	1	26106-080202	BOLT, M8X 20 PLATED	4							
17	1	26306-080002	NUT, M8	4							
18	1	26306-080002	NUT, M8	4							
19	1	129927-13800	PIPE ASSY, EGR	1							
20	1	129927-13810	GASKET	1							
21	1	26106-100302	BOLT, M10X 30 PLATED	2							
22	1	26306-080002	NUT, M8	2							
23	1	129928-13900	VALVE, EGR	1							
24	1	129927-13910	GASKET, EGR	1							
25	1	129927-13920	GASKET, EGR	1							
26	1	26106-100302	BOLT, M10X 30 PLATED	1							
27	1	26106-100952	BOLT, M10X 95 PLATED	1							
28	1	129930-13201	GASKET, SILENCER	2							
29	1	123925-13600	PIPE ASSY, TAIL	1							
30	2	128300-13640	CAP	1							
31	2	121855-13821	SPACER, A	1							
32	2	121855-13830	SPACER, B	2							
33	2	123500-13840	SPACER, C	1							
34	2	26106-060402	BOLT, M6X 40 PLATED	1							
35	2	26347-040002	NUT, M4	1							
36	2	26347-060002	NUT, M6	1							
37	2	26557-040352	SCREW, M4X35	1							
38	1	43720-500950	JOINT, FLEXIBLE 50A	1							

Fig.7. CAMSHAFT & DRIVING GEAR



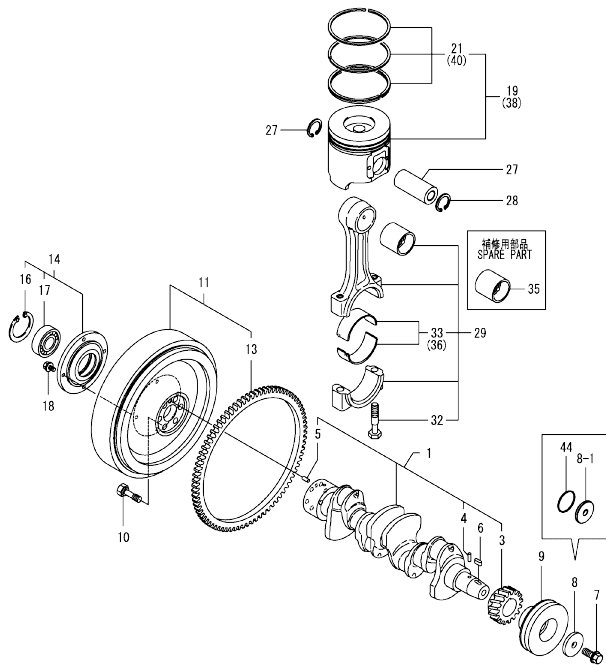
(A)=4TNV98-ZNNA
(B)=
(C)=

(D)=
(E)=
(F)=

No.	Lev.	Parts No.	Description	Q'ty						I	R
				(A)	(B)	(C)	(D)	(E)	(F)		
1	1	129150-14200	TAPPET	8							
2	1	129907-14400	PUSH-ROD	8							
3	1	129908-14590	CAMSHAFT ASSY	1							
4	2	129150-02450	BEARING, THRUST	1							
6	2	129900-14110	GEAR, CAMSHAFT	1							
7	2	22512-070140	KEY, 7X 14	1							
8	1	26106-080162	BOLT, M8X 16 PLATED	2							
9	1	123900-25060	SHAFT, IDLE GEAR	1							
10	1	129900-25110	GEAR ASSY, IDLE	1							
13	1	26106-080552	BOLT, M8X 55 PLATED	3							
14	1	129953-25300	BOLT	4							
15	1	129907-25900	GEAR, PUMP	1							
16	1	129150-25920	BUSH, IDLE GEAR	1							1

Remarks
(1)Spare part.

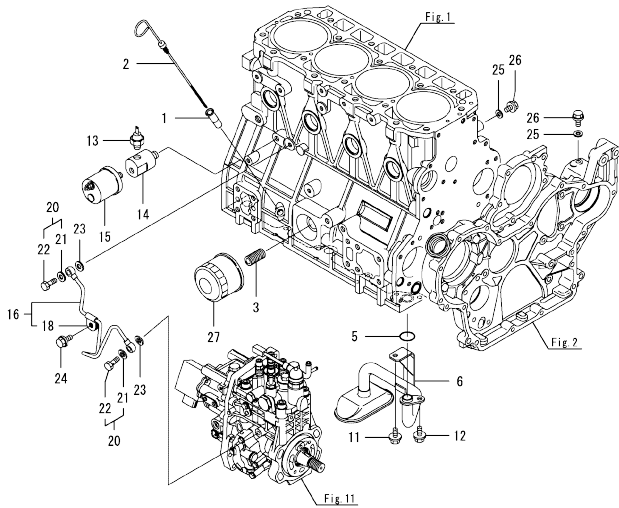
Fig.8. CRANKSHAFT & PISTON



Remarks
 (1)Spare part.
 (2)Under-sized(U.S.=0.25)part.
 (3)Over-sized(O.S.=0.25)part.

No.	Lev.	Parts No.	Description	Q'ty						I	R
				(A)	(B)	(C)	(D)	(E)	(F)		
1	1	129902-21050	CRANKSHAFT ASSY	1							
3	2	129900-21220	GEAR, CRANKSHAFT	1							
4	2	121850-21290	PIN	1							
5	2	121850-21920	PIN, PARALLEL 10X22	1							
6	1	22512-070140	KEY, 7X 14	1							
7	1	129916-21610	BOLT	1							
8	1	129900-21640	WASHER	1							
8-1	1	129960-21940	WASHER, V-PULLEY	1							N
(A=E135832)											
9	1	129907-21660	V-PULLEY, CRANK 130	1							
10	1	121850-21130	BOLT, FLYWHEEL	6							
11	1	129955-21590	FLYWHEEL ASSY	1							
13	2	129900-21600	GEAR, RING	1							
14	1	129955-21460	CASE ASSY	1							
16	2	22252-000721	RING, 72	1							
17	2	24107-063064	BEARING, BALL 6306ZZ	1							
18	1	26106-080222	BOLT, M8X 22 PLATED	4							
19	1	129927-22080	PISTON ASSY	4							
21	2	129927-22050	RING SET, PISTON	4							
27	1	120130-22301	PIN, PISTON	4							
28	1	22252-000300	RING, 30	8							
29	1	129900-23001	ROD ASSY, CONNECTING	4							
32	2	129900-23200	BOLT, CONNECTING ROD	8							
33	2	129900-23601	BEARING, CRANK PIN	4							
35	1	129900-23911	BEARING, PISTON PIN	4							1
36	1	129900-23611	BEARING ASSY, 0.25US	4							2
38	1	729927-22900	PISTON ASSY, 0.25 OS	4							3
40	2	729927-22950	RING SET, 0.25 OS	4							3
44	1	129960-21930	GASKET, WASHER	1							W
(A=E135832)											

Fig.9. LUB.OIL SYSTEM



(A)=4TNV98-ZNNA
(B)=
(C)=

(D)=
(E)=
(F)=

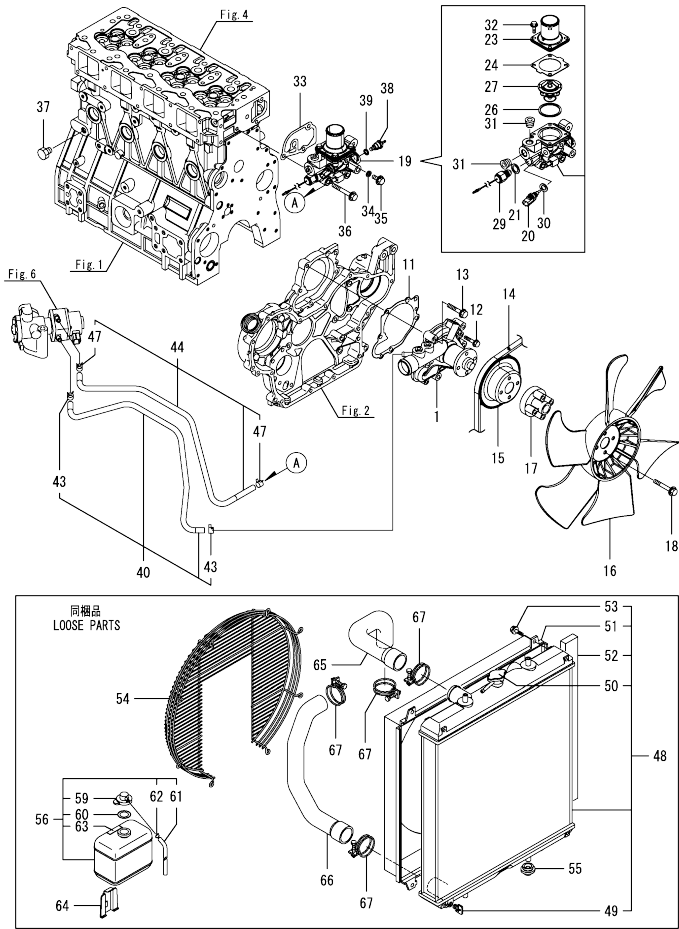
No.	Lev.	Parts No.	Description	Q'ty						I	R
				(A)	(B)	(C)	(D)	(E)	(F)		
1	1	121520-34810	GUIDE, DIPSTICK	1							
2	1	129953-34830	DIPSTICK	1							
3	1	119000-35140	BOLT, STUD FILTER	1							
5	1	129900-32030	O-RING, P20	1							
6	1	129953-35000	PIPE ASSY, OIL INLET	1							
11	1	26106-080122	BOLT, M8X 12 PLATED	1							
12	1	26106-080162	BOLT, M8X 16 PLATED	1							
13	1	119761-39450	SWITCH, HYDRAULIC	1							
14	1	171375-39601	DAMPER, 1/8	1							
15	1	119773-91501	SENSOR, PRESSURE	1							
16	1	129927-39060	PIPE ASSY, OIL	1							
18	2	123907-39500	RETAINER, PIPE	1							
20	1	129005-59830	BOLT ASSY, JOINT M8	2							
21	2	22190-080002	WASHER, SEAL 6	2							
22	2	23857-030000	BOLT, JOINT 3	2							
23	1	22190-080002	WASHER, SEAL 6	2							
24	1	26106-080122	BOLT, M8X 12 PLATED	1							
25	1	22190-080002	WASHER, SEAL 6	2							
26	1	26106-080122	BOLT, M8X 12 PLATED	2							
27	1	129150-35153	FILTER ASSY, D80X80L	1							1

Remarks
(1)Spare part.

Fig.10. COOLING WATER SYSTEM

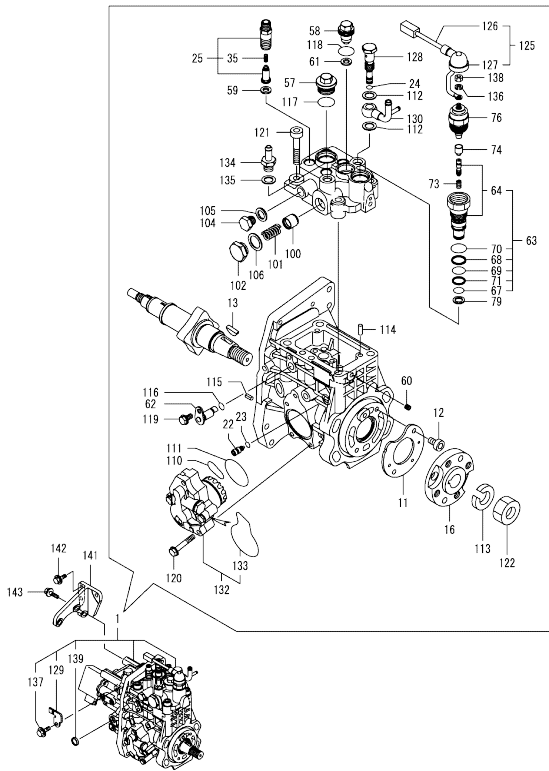
(A)=4TNV98-ZNNA
(B)=
(C)=

(D)=
(E)=
(F)=



No.	Lev.	Parts No.	Description	(A)	(B)	(C)	(D)	(E)	(F)	Q'ty	I	R
1	1	129927-42000	PUMP ASSY, WATER							1		
11	1	129900-42020	GASKET, WATER PUMP							1		
12	1	26106-060302	BOLT, M6X 30 PLATED							2		
13	1	26106-080552	BOLT, M8X 55 PLATED							5		
14	1	25152-004200	V-BELT, A42							1		
15	1	129900-42450	V-PULLEY, C.W.PUMP							1		
16	1	129916-44740	FAN, COOLING D=430							1		
17	1	119141-44760	SPACER, FAN							1		
18	1	26106-080552	BOLT, M8X 55 PLATED							4		
19	1	129988-49800	CASE ASSY,THERMOSTAT							1		
20	2	129927-44900	SENSOR, WATER TEMP.							1		
21	2	124465-44950	GASKET, 16							1		
23	2	129916-49530	COVER, THERMOSTAT							1		
24	2	121850-49540	GASKET, THERMOSTAT							1		
26	2	121850-49550	GASKET, THERMOSTAT							1		
27	2	121850-49811	THERMOSTAT, 71C							1		
29	2	160797-75440	SWITCH							1		
30	2	22190-120002	WASHER, SEAL 12							1		
31	2	23875-030000	PLUG, R03							2		
32	2	26106-060202	BOLT, M6X 20 PLATED							4		
33	1	129900-49870	GASKET, THERMOSTAT							1		
34	1	23414-080000	GASKET, 8X1.0							1		
35	1	26106-080122	BOLT, M8X 12 PLATED							1		
36	1	26106-080602	BOLT, M8X 60 PLATED							3		
37	1	171056-49120	PLUG, DRAIN R1/4							1		
38	1	124250-49351	SENSOR, WATER TEMP.							1		
39	1	129150-49360	GASKET							1		
40	1	129927-49610	HOSE ASSY, WATER							1		
43	2	23080-012000	CLAMP, 12							2		
44	1	129927-49620	HOSE ASSY, WATER							1		
47	2	23080-012000	CLAMP, 12							2		
48	1	129940-44500	RADIATOR ASSY							1		
49	2	129508-44550	COCK ASSY							1		
50	2	129107-44590	CAP, RADIATOR							1		
51	2	129907-44600	SHROUD							1		
52	2	129907-44610	GASKET							2		
53	2	26014-060122	BOLT, M6X 12							4		
54	1	129907-44560	GUARD, FAN							1		
55	1	119255-44660	ABSORBER							4		
56	1	121857-44800	TANK ASSY, RESERVE							1		
59	2	121850-44850	CAP							1		
60	2	121850-44860	GASKET							1		
61	2	121850-44870	HOSE							1		
62	2	121850-44880	CLAMP, HOSE							1		
63	2	121850-44830	LABEL, RESERVE TANK							1		
64	1	120147-44810	BRACKET							1		
65	1	129981-49050	HOSE, WATER							1		
66	1	129981-49062	HOSE, WATER							1		
67	1	23000-060000	CLAMP, 60							4		

Fig.11. FUEL INJECTION PUMP



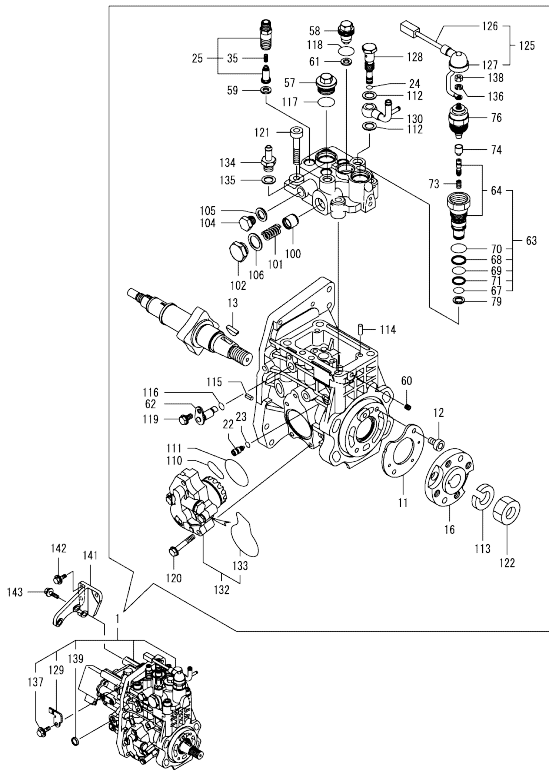
Remarks

(1)Governor(Fig.12)is incorporated in this Fuel Injection Pump (Ref.1).
 (1)Eco Pump
 Make sure to update the engines ECU information when replacing the Eco Pump.
 Failing to do so will result in engine malfunction.

No.	Lev.	Parts No.	Description	Q'ty						I	R
				(A)	(B)	(C)	(D)	(E)	(F)		
1	1	729939-51390	FIE ASSY	1							1
11	2	129928-51900	COVER	1							
12	2	129008-51920	BOLT, SOCKET M6X10	2							
13	2	144626-51090	FEATHER KEY, 5X19	1							
16	2	158563-51150	FLANGE	1							
22	2	158600-51270	STOPPER, TAPPET	1							
23	2	158563-51281	O-RING, 4D S6	1							
24	2	158563-51281	O-RING, 4D S6	1							
25	2	129927-51390	VALVE ASSY, DELIVERY	4							
35	3	158563-51330	SPRING, DELIVERY	4							
57	2	158601-51550	PLUG, M22	1							
58	2	129907-51560	PLUG, M16	1							
59	2	158552-51571	GASKET, PLUG	4							
60	2	158557-51570	PLUG, RACK	1							
61	2	129906-51580	GASKET, PLUG	1							
62	2	158552-51580	LIFTER, LINK	1							
63	2	129657-51590	TIMER ASSY	1							
64	3	129657-51600	TIMER ASSY	1							
67	3	158553-51670	O-RING	1							
68	3	119802-51680	RING, BACKUP	1							
69	3	119802-51690	O-RING	1							
70	3	24356-190200	O-RING, 4D19020	1							
71	3	24372-000150	RING, BACK UP T2P15	1							
73	2	119852-51630	SPRING, TIMER	1							
74	2	119852-51640	CAP, TIMER	1							
76	2	119852-51650	VALVE ASSY, SOLENOID	1							
79	2	158553-51680	GASKET, TIMER	1							
100	2	158601-51770	PISTON, ACCUMULATOR	1							
101	2	158552-51781	SPRING, ACCUMULATOR	1							
102	2	158601-51790	PLUG	1							
104	2	158553-51930	PLUG, M12	1							
105	2	22190-120002	WASHER, SEAL 12	1							
106	2	22190-180002	WASHER, SEAL 18	1							
110	2	158552-52311	O-RING	1							
111	2	158552-52400	O-RING, 4E S42	1							
112	2	22190-120002	WASHER, SEAL 12	2							
113	2	22217-180000	WASHER, SPRING 18	1							
114	2	22312-050140	PIN, PARALLEL M5X14	2							
115	2	22351-050010	PIN, SPRING 5.0X10	2							
116	2	24311-000070	O-RING, 1AP7.0	1							
117	2	24356-190200	O-RING, 4D19020	1							
118	2	24356-240210	O-RING, 4D24021	1							
119	2	26106-060102	BOLT, M6X 10 PLATED	1							
120	2	26106-060352	BOLT, M6X 35 PLATED	4							
121	2	26450-100452	BOLT, M10X 45	4							
122	2	26776-180002	NUT, LOCK M18	1							
125	2	129927-51650	HARNES ASSY, WIRE	1							
126	3	129927-51660	HARNES	1							
127	3	129263-77941	CAP, RUBBER	1							
128	2	158601-51650	JOINT, OVER FLOW	1							
129	2	129927-51670	BRACKET	1							

N:Old *^{REV}/_{REV}* New, Q:Old *^{REV}/_{REV}* New, R:Old *^{REV}/_{REV}* New, S:Old *^{REV}/_{REV}* New, W:Add, Z:Discontinued, F:Interchangeable by set, K:Q'ty Change
 ++ CONTINUE ++
 Copyright (C) YANMAR GLOBAL CS CO., LTD. All Rights Reserved.

Fig.11. FUEL INJECTION PUMP



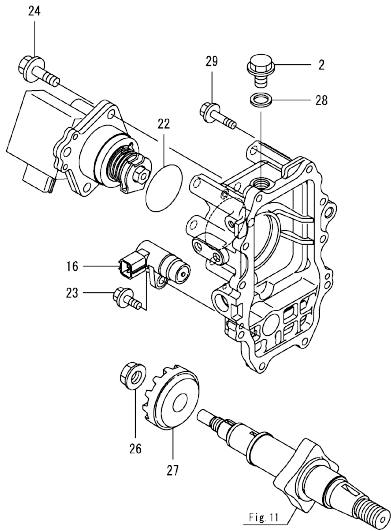
(A)=4TNV98-ZNNA
(B)=
(C)=

(D)=
(E)=
(F)=

No.	Lev.	Parts No.	Description	Q'ty						I	R
				(A)	(B)	(C)	(D)	(E)	(F)		
130	2	158552-51670	JOINT, OVER FLOW	1							
132	2	158552-52100	PUMP ASSY, FUEL FEED	1							
133	3	158552-52500	O-RING	1							
134	2	119934-59910	JOINT, PIPE	1							
135	2	22190-120002	WASHER, SEAL 12	1							
136	2	22217-050000	WASHER, SPRING 5	1							
137	2	26106-060122	BOLT, M6X 12 PLATED	1							
138	2	26716-050002	NUT, M5	1							
139	2	27241-160000	PLUG, 16	1							
141	1	129927-51250	RETAINER, PUMP	1							
142	1	26106-080202	BOLT, M8X 20 PLATED	3							
143	1	26106-080302	BOLT, M8X 30 PLATED	3							

Remarks

(1)Governor(Fig.12)is incorporated in this Fuel Injection Pump (Ref.1).
(1)Eco Pump
Make sure to update the engines ECU information when replacing the Eco Pump.
Failing to do so will result in engine malfunction.



(A)=4TNV98-ZNNA
 (B)=
 (C)=

(D)=
 (E)=
 (F)=

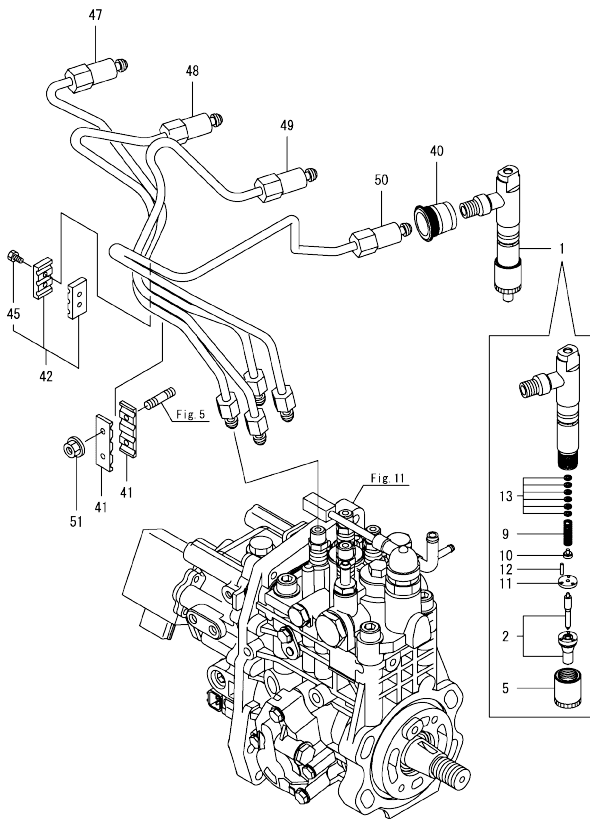
No.	Lev.	Parts No.	Description	Q'ty						I	R
				(A)	(B)	(C)	(D)	(E)	(F)		
2	2	158553-51930	PLUG, M12	1							
16	2	158557-61720	SENSOR	1							
22	2	24341-000480	O-RING, 1AS48.0	1							
23	2	26106-060162	BOLT, M6X 16 PLATED	1							
24	2	26106-080252	BOLT, M8X 25 PLATED	3							
26	2	129008-61301	NUT	1							
27	2	158553-61780	GEAR, SENSOR	1							
28	2	22190-120002	WASHER, SEAL 12	1							
29	2	26106-060252	BOLT, M6X 25 PLATED	10							

Remarks
 *This figure(Governor)is incorporated
 in the Fuel Injection Pump (Fig.11).

Fig.13. FUEL INJECTION VALVE

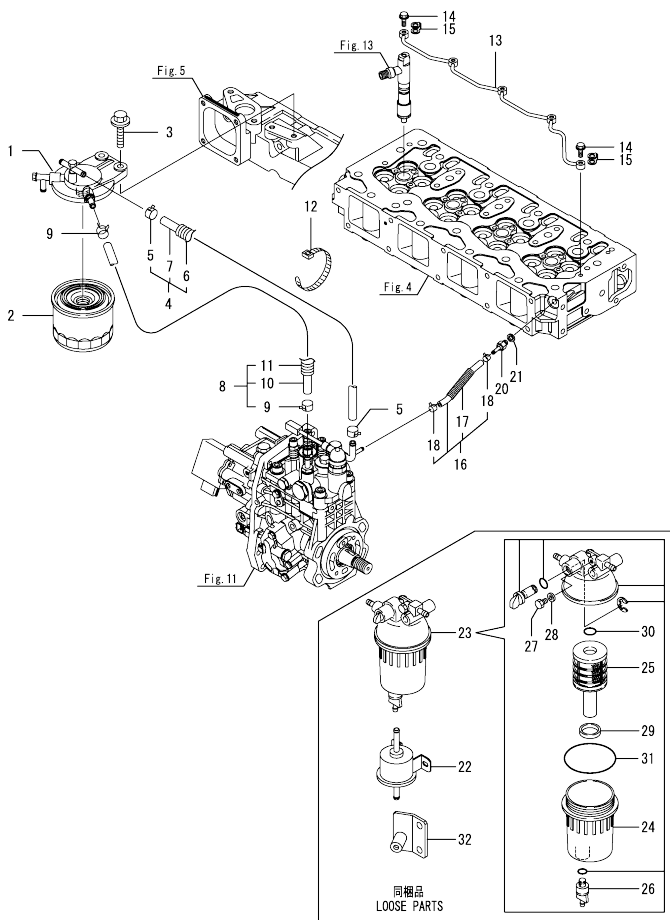
(A)=4TNV98-ZNNA
(B)=
(C)=

(D)=
(E)=
(F)=



No.	Lev.	Parts No.	Description	Q'ty					
				(A)	(B)	(C)	(D)	(E)	(F)
1	1	729927-53100	FUEL INJECTOR ASSY	4					
2	2	129927-53000	NOZZLE ASSY, F.I.	4					
5	2	114250-53080	NUT, NOZZLE	4					
9	2	114250-53120	SPRING, NOZZLE	4					
10	2	114250-53130	SEAT, SPRING	4					
11	2	114250-53140	SPACER	4					
12	2	114250-53210	PIN	8					
13	2	119803-53400	SHIM SET	4					
40	1	123907-11601	SEAL, PIPE	4					
41	1	123472-59120	RETAINER, PIPE	2					
42	1	129150-59120	RETAINER, PIPE	1					
45	2	129150-59131	BOLT, M4X14	2					
47	1	129927-59810	PIPE ASSY, INJECTION	1					
48	1	129927-59820	PIPE ASSY, INJECTION	1					
49	1	129927-59830	PIPE ASSY, INJECTION	1					
50	1	129927-59840	PIPE ASSY, INJECTION	1					
51	1	26366-060002	NUT, M6	2					

Fig.14. FUEL LINE



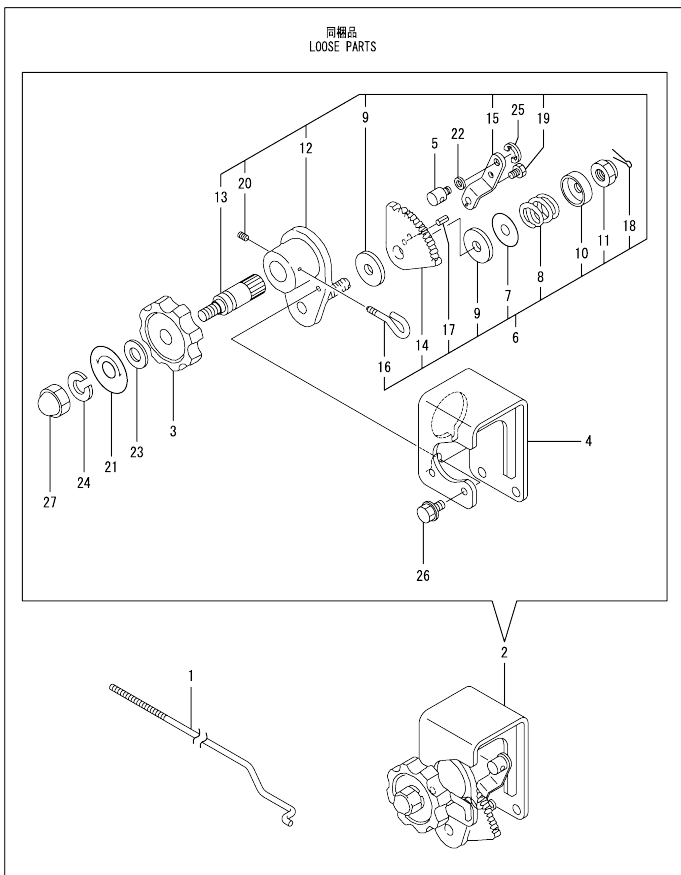
No.	Lev.	Parts No.	Description	Q'ty						I	R
				(A)	(B)	(C)	(D)	(E)	(F)		
1	1	129004-55612	BRACKET, FILTER	1							
2	1	119802-55801	FILTER, FUEL	1							
3	1	26106-080302	BOLT, M8X 30 PLATED	2							
4	1	129457-59010	HOSE ASSY, FUEL	1							
5	2	124766-59050	CLAMP, HOSE 11.5	2							
6	2	129957-59120	TUBE, CORRUGATED 15	1							
7	2	105025-59750	HOSE, FUEL	1							
8	1	129961-59310	HOSE ASSY, FUEL	1							
9	2	124766-59050	CLAMP, HOSE 11.5	2							
10	2	129136-59110	HOSE, D13/7.5X270	1							
11	2	129961-59110	TUBE, CORRUGATED 15	1							
12	1	121750-59890	BAND, NYLON	1							
13	1	129907-59140	PIPE ASSY, RETURN	1							
14	1	123907-59540	BOLT, PIPE JOINT M6	5							
15	1	123907-59550	GASKET	5							
16	1	129927-59550	HOSE ASSY RETURN	1							
17	2	129263-49750	TUBE, CORRUGATED	1							
18	2	124722-59050	CLAMP, HOSE 9	2							
20	1	123907-59560	JOINT, HOSE	1							
21	1	22190-080002	WASHER, SEAL 6	1							
22	1	119225-52102	PUMP, FUEL FEED	1							
23	1	129242-55701	SEPARATOR ASSY, WATER	1							
24	2	129242-55720	CUP, SEPARATOR	1							
25	2	129242-55730	ELEMENT, FUEL	1							
26	2	129242-55740	PLUG, DRAIN	1							
27	2	129242-55750	VALVE, AIR VENT	1							
28	2	129242-55760	GASKET, PLUG	1							
29	2	129242-55770	FLOAT	1							
30	2	24311-000160	O-RING, 1AP16.0	1							
31	2	24321-000750	O-RING, 1AG75.0	1							
32	1	129688-55720	BRACKET, SEPARATOR	1							

N:Old $\frac{100}{100}$ New, Q:Old $\frac{100}{100}$ New, R:Old $\frac{100}{100}$ New, S:Old $\frac{100}{100}$ New, W:Add, Z:Discontinued, F:Interchangeable by set, K:Q'ty Change
 Copyright (C) YANMAR GLOBAL CS CO., LTD. All Rights Reserved.

Fig.15. ENGINE CONTROL DEVICE

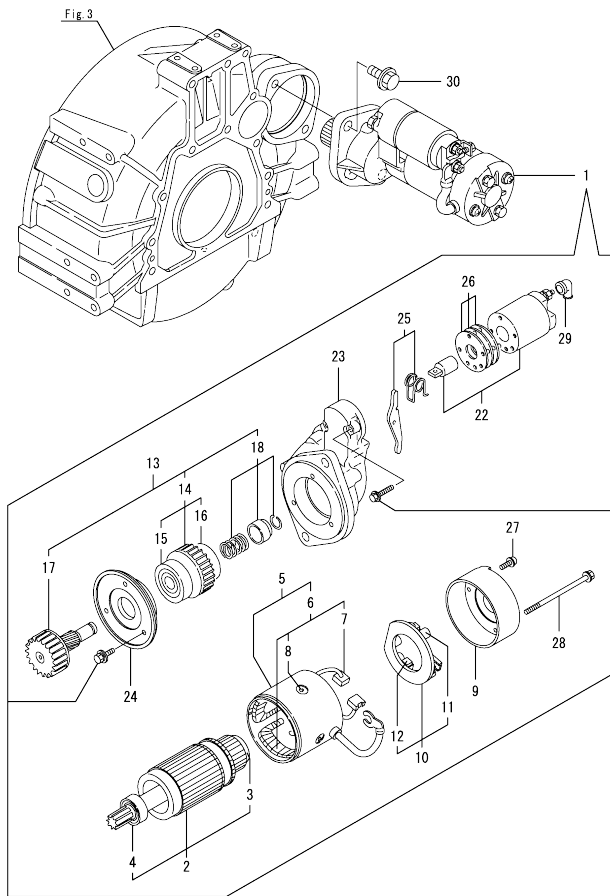
(A)=4TNV98-ZNNA
(B)=
(C)=

(D)=
(E)=
(F)=



No.	Lev.	Parts No.	Description	Qty					
				(A)	(B)	(C)	(D)	(E)	(F)
1	1	129647-66120	LINK, ENGINE CONTROL	1					
2	1	119888-66161	CONTROLLER ASSY	1					
3	2	126650-66020	HANDLE, REGULATOR	1					
4	2	119888-66111	BRACKET	1					
5	2	119888-66130	PIVOT	1					
6	2	171048-67010	CONTROLLER ASSY	1					
7	3	171102-66080	WASHER	1					
8	3	104200-66820	SPRING	1					
9	3	104200-66831	PLATE, FRICTION	2					
10	3	104200-66850	WASHER	1					
11	3	104200-66860	NUT	1					
12	3	171085-67100	BRACKET	1					
13	3	171085-67110	SHAFT, DRIVE	1					
14	3	171085-67120	GEAR	1					
15	3	171048-67130	LEVER	1					
16	3	171048-67140	STOPPER	1					
17	3	22351-020006	PIN, SPRING 2.0X 6	1					
18	3	22411-200150	COTTER PIN	1					
19	3	26116-060082	BOLT, M6X 8 PLATED	1					
20	3	26921-050122	SCREW, M5X12	1					
21	2	170064-67210	LABEL, HANDLE	1					
22	2	22117-060000	WASHER, 6	1					
23	2	22137-100000	WASHER, 10	1					
24	2	22217-100000	WASHER, SPRING 10	1					
25	2	22272-000050	RING, E- 5	1					
26	2	26106-060102	BOLT, M6X 10 PLATED	2					
27	2	26657-100002	NUT, CAP M10	1					

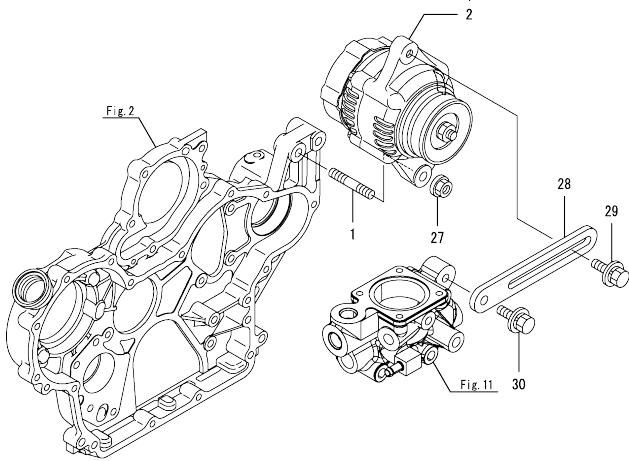
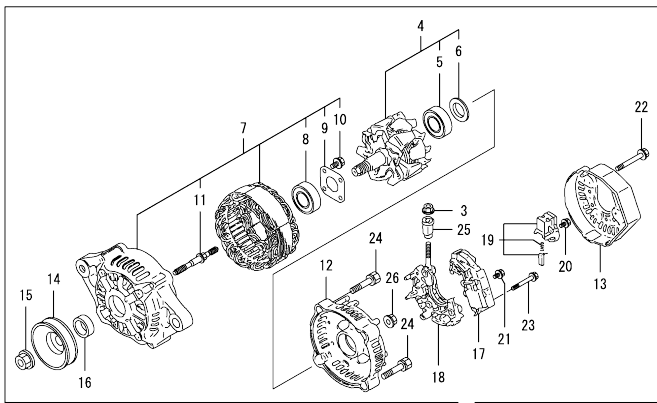
Fig.16. STARTING MOTOR



(A)=4TNV98-ZNNA
(B)=
(C)=

(D)=
(E)=
(F)=

No.	Lev.	Parts No.	Description	Q'ty						I	R
				(A)	(B)	(C)	(D)	(E)	(F)		
1	1	129900-77040	STARTER ASSY	1							
2	2	129900-77120	ARMATURE ASSY	1							
3	3	171008-77410	BEARING, BALL	1							
4	3	171008-77420	BEARING, BALL	1							
5	2	129900-77130	YOKE ASSY	1							
6	3	129900-77140	COIL ASSY, FIELD	1							
7	4	129900-77450	BRUSH	2							
8	4	171008-77450	SCREW, CORE SET	4							
9	2	129900-77150	COVER	1							
10	2	129900-77160	HOLDER ASSY, BRUSH	1							
11	3	X2130631300	SPRING, BRUSH	4							
12	3	129900-77450	BRUSH	2							
13	2	129900-77170	CLUTCH ASSY	1							
14	3	129900-77180	CLUTCH ASSY	1							
15	4	129900-77190	BEARING, BALL	1							
16	4	X2114955020	BEARING, BALL	1							
17	3	129900-77270	SHAFT, PINION	1							
18	3	171008-77670	STOPPER SET, PINION	1							
22	2	129900-77280	SWITCH ASSY, MAGNET	1							
23	2	129900-77290	CASE, GEAR	1							
24	2	129900-77380	RETAINER, BEARING	1							
25	2	129900-77390	LEVER ASSY, SHIFT	1							
26	2	129900-77420	COVER KIT, DUST	1							
27	2	129900-77430	SCREW, M4X10	2							
28	2	129685-77640	BOLT, THROUGH	2							
29	2	171008-77750	COVER, TERMINAL	1							
30	1	26106-120252	BOLT, M12X 25 PLATED	2							

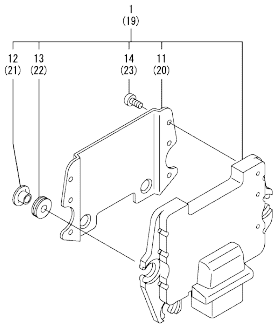


(A)=4TNV98-ZNNA
 (B)=
 (C)=

(D)=
 (E)=
 (F)=

No.	Lev.	Parts No.	Description	Qty						I	R
				(A)	(B)	(C)	(D)	(E)	(F)		
1	1	129795-01900	BOLT, STUD M10X33	1							
2	1	119626-77210	ALTERNATOR, 12V-55A	1							
3	2	X9490561001	NUT	1							
4	2	129052-77380	ROTOR ASSY	1							
5	3	123501-79240	BEARING, BALL	1							
6	3	119620-79250	COVER, BEARING	1							
7	2	129052-77422	FRAME ASSY	1							
8	3	119620-79200	BEARING, BALL	1							
9	3	119620-79210	RETAINER	1							
10	3	119620-79220	SCREW	4							
11	3	119620-79230	BOLT, STUD	2							
12	2	128401-77440	COVER	1							
13	2	119626-77450	FRAME	1							
14	2	119620-77461	PULLEY, GENERATOR	1							
15	2	119620-77471	NUT	1							
16	2	119620-77490	COLLAR	1							
17	2	119626-77710	REGULATOR ASSY	1							
18	2	129052-79260	HOLDER	1							
19	2	129052-79270	HOLDER, BRUSH	1							
20	2	119620-79290	SCREW	6							
21	2	119620-79300	SCREW	1							
22	2	119620-79310	BOLT	3							
23	2	119620-79320	SCREW	2							
24	2	119620-79330	BOLT	2							
25	2	119620-79340	BUSH, INSULATION	1							
26	2	119620-79350	NUT	2							
27	1	26306-100002	NUT, M10	1							
28	1	129988-77330	ADJUSTER, BELT	1							
29	1	119810-77340	BOLT, ADJUST L=30	1							
30	1	26014-080252	BOLT, M8X 25	1							

Fig.18. ELECTRONIC CONTROL UNIT (ECU)



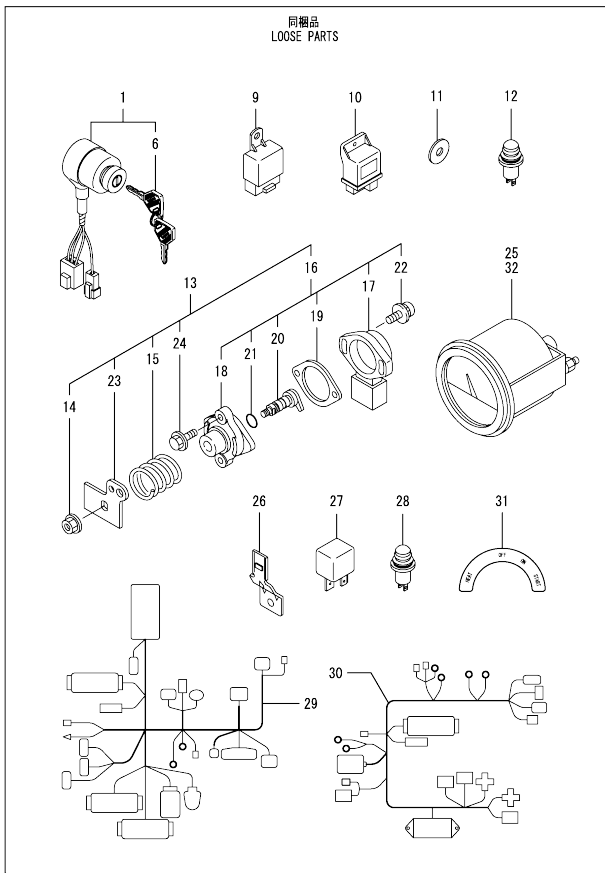
(A)=4TNV98-ZNNA
(B)=
(C)=

(D)=
(E)=
(F)=

No.	Lev.	Parts No.	Description	Q'ty						I	R
				(A)	(B)	(C)	(D)	(E)	(F)		
1	1	129988-75040	ECU ASSY	1							1
11	2	129927-77600	SHIELD, ECU	1							
12	2	129927-77680	COLLAR, CONTROL	3							
13	2	119578-91351	ABSORBER	3							
14	2	22877-500080	SCREW, 5X 8	6							
19	1	129927-75900	ECU ASSY, SERVICE	1							2
20	2	129927-77600	SHIELD, ECU	1							
21	2	129927-77680	COLLAR, CONTROL	3							
22	2	119578-91351	ABSORBER	3							
23	2	22877-500080	SCREW, 5X 8	6							

Remarks
(1)Eco ECU
This part cannot be ordered.
Replace the part using a Service ECU with the proper engine information installed.
(2)Service ECU
If the proper information is not installed, the engine will not operate.
To install proper information, go to an authorized Distributor.

Fig.19. ELECTRIC PARTS

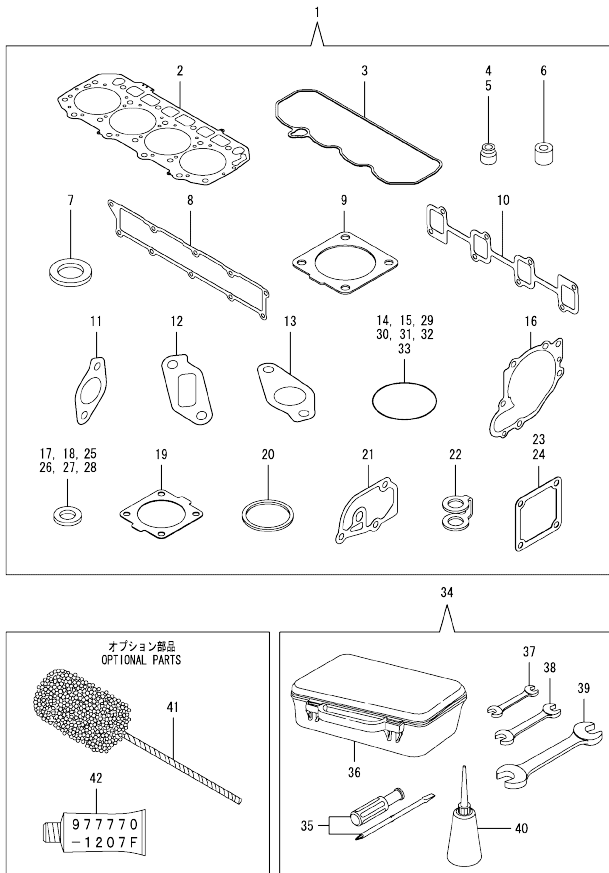


(A)=4TNV98-ZNNA
(B)=
(C)=

(D)=
(E)=
(F)=

No.	Lev.	Parts No.	Description	Qty						I	R
				(A)	(B)	(C)	(D)	(E)	(F)		
1	1	194940-52110	SWITCH, STARTING	1							
1-1	1	129902-77500 (A=E157866)	SWITCH ASSY, STARTER	1							N
6	2	198360-52160	KEY ASSY, SPARE	1							
9	1	198461-52950	RELAY, CA TYPE C	3							
10	1	119802-77200	RELAY, SAFETY	1							
11	1	129927-77690	WASHER, ECU	3							
12	1	124732-77720	LAMP, CHARGING	3							
13	1	129938-77800	SENSOR ASSY, ACCEL	1							
14	2	194990-22130	NUT, M6	1							
15	2	119060-61990	SPRING, RETURN	1							
16	2	129054-77800	SENSOR ASSY, ACCEL	1							
17	3	185100-50070	BODY	1							
18	3	129054-77811	SUPPORT, SENSOR	1							
19	3	129054-77820	GASKET	1							
20	3	129054-77830	SHAFT ASSY	1							
21	3	24311-000070	O-RING, 1AP7.0	1							
22	3	26023-040202	SCREW, M4X20	2							
23	2	129938-77810	LEVER, SENSOR	1							
24	2	26106-060122	BOLT, M6X 12 PLATED	2							
25	1	171010-77850	THERMOSTAT	1							
26	1	129927-77910	BRACKET, CONNECTOR	2							
27	1	129927-77920	RELAY, ISO 70A	2							
28	1	124559-77971	LAMP, PILOT	1							
29	1	129927-91040	HARNES, WIRE	1							
30	1	129927-91050	HARNES, WIRE	1							
31	1	119888-91620	LABEL, KEY SWITCH	1							
32	1	46150-513400	GAUGE	1							
32-1	1	171090-91011	GAUGE	1							N
(A=E160053)											

Fig.20. GASKET SET



(A)=4TNV98-ZNNA
(B)=
(C)=

(D)=
(E)=
(F)=

No.	Lev.	Parts No.	Description	Qty						I	R	
				(A)	(B)	(C)	(D)	(E)	(F)			
1	1	129938-92610	SET,PACKING	1							1	
2	2	129907-01331	GASKET, HEAD	1								
3	2	129933-11310	GASKET, BONNET	1								
4	2	119803-11340	SEAL, VALVE STEM	8								
5	2	124160-11340	SEAL, VALVE STEM	8								
6	2	119802-11870	PROTECTOR, NOZZLE	4								
7	2	119625-11880	SEAT, NOZZLE	4								
8	2	129907-12110	GASKET, MANIFOLD	1								
9	2	129930-13201	GASKET, SILENCER	2								
10	2	129900-13251	GASKET, EXH.MANIFOLD	1								
11	2	129927-13810	GASKET	1								
12	2	129927-13910	GASKET, EGR	1								
13	2	129927-13920	GASKET, EGR	1								
14	2	129900-32030	O-RING, P20	2								
15	2	129900-32040	O-RING, P14	1								
16	2	129900-42020	GASKET, WATER PUMP	1								
17	2	124465-44950	GASKET, 16	2								
18	2	129150-49360	GASKET	1								
19	2	121850-49540	GASKET, THERMOSTAT	1								
20	2	121850-49550	GASKET, THERMOSTAT	1								
21	2	129900-49870	GASKET, THERMOSTAT	1								
22	2	123907-59550	GASKET	5								
23	2	119129-77020	GASKET	1								
24	2	121850-77021	GASKET, AIR HEATER	1								
25	2	22190-080002	WASHER, SEAL 6	7								
26	2	22190-120002	WASHER, SEAL 12	1								
27	2	22190-220002	WASHER, SEAL 22	1								
28	2	23414-080000	GASKET, 8X1.0	1								
29	2	24311-000070	O-RING, 1AP7.0	1								
30	2	24311-000120	O-RING, 1AP12.0	8								
31	2	24311-000320	O-RING, 1AP32.0	2								
32	2	24311-000530	O-RING, 1AP53.0	1								
33	2	24311-000750	O-RING, 1AP75.0	1								
34	1	721400-92102	TOOL ASSY	1								
35	2	104200-92350	SCREW-DRIVER	1								
36	2	104200-92600	BOX, TOOL	1								
37	2	28110-100120	SPANNER, 10X12	1								
38	2	28110-140170	SPANNER, 14X17	1								
39	2	28110-190220	SPANNER, 19X22	1								
40	2	28210-000140	OILER	1								
41	1	129400-92450	HONE, FLEX	1								1
42	1	977770-1207F	GASKET, LIQUID	1								1

Remarks

(1)Optional parts.

Parts No. Index

Parts No.	Fig. No.	Ref. No.	Parts No.	Fig. No.	Ref. No.	Parts No.	Fig. No.	Ref. No.	Parts No.	Fig. No.	Ref. No.
104200-66820	15	8	119640-01640	3	8	123907-03100	4	52	129150-11230	4	39
104200-66831	15	9	119640-61400	4	58	123907-03110	4	53	129150-11750	4	17
104200-66850	15	10	119761-39450	9	13	123907-03120	4	54			36
104200-66860	15	11	119773-91501	9	15	123907-03140	4	55			40
104200-92350	20	35	119802-11870	4	22	123907-11280	4	32	129150-14200	7	1
104200-92600	20	36		20	6	123907-11550	4	1	129150-25920	7	16
105010-11920	3	13	119802-13680	6	7	123907-11601	13	40	129150-35153	9	27
105025-59750	14	7	119802-51680	11	68	123907-11820	4	19	129150-49360	10	39
114250-53080	13	5	119802-51690	11	69	123907-11830	4	18		20	18
114250-53120	13	9	119802-55801	14	2	123907-39500	9	18	129150-59120	13	42
114250-53130	13	10	119802-77200	19	10	123907-59540	14	14	129150-59131	13	45
114250-53140	13	11	119803-11340	4	13	123907-59550	14	15	129242-55701	14	23
114250-53210	13	12		20	4		20	22	129242-55720	14	24
119000-35140	9	3	119803-53400	13	13	123907-59560	14	20	129242-55730	14	25
119005-77051	5	20	119810-77340	17	29	123925-13600	6	29	129242-55740	14	26
119060-61990	19	15	119852-51630	11	73	124160-01751	2	24	129242-55750	14	27
119129-77020	5	18	119852-51640	11	74		4	47	129242-55760	14	28
	20	23	119852-51650	11	76	124160-11340	4	14	129242-55770	14	29
119129-77520	5	21	119888-66111	15	4		20	5	129263-13210	6	5
119131-18320	6	3	119888-66130	15	5	124160-11360	4	63	129263-49750	14	17
119141-44760	10	17	119888-66161	15	2	124250-49351	10	38	129263-77941	11	127
119160-12530	5	10	119888-91620	19	31	124465-44950	10	21	129400-92450	20	41
119160-12540	5	11	119934-59910	11	134		20	17	129418-18320	6	4
119225-52102	14	22	120130-22301	8	27	124559-77971	19	28	129457-59010	14	4
119255-44660	10	55	120147-44810	10	64	124722-59050	14	18	129508-44550	10	49
119578-91351	18	13	121520-34810	9	1	124732-77720	19	12	129647-66120	15	1
		22	121750-59890	14	12	124766-59050	14	5	129657-51590	11	63
119593-11301	4	27	121820-12590	5	12			9	129657-51600	11	64
119620-01750	3	3	121850-21130	8	10	126650-66020	15	3	129685-77640	16	28
119620-11180	4	12	121850-21290	8	4	128300-13640	6	30	129688-55720	14	32
119620-77461	17	14	121850-21920	8	5	128401-77440	17	12	129795-01900	17	1
119620-77471	17	15	121850-44830	10	63	129004-55612	14	1	129900-01200	1	27
119620-77490	17	16	121850-44850	10	59	129005-59830	9	20	129900-01250	1	4
119620-79200	17	8	121850-44860	10	60	129008-51920	11	12	129900-01850	2	33
119620-79210	17	9	121850-44870	10	61	129008-61301	12	26	129900-01870	2	34
119620-79220	17	10	121850-44880	10	62	129052-77380	17	4	129900-02020	1	6
119620-79230	17	11	121850-49540	10	24	129052-77422	17	7	129900-02341	1	33
119620-79250	17	6		20	19	129052-79260	17	18	129900-02410	1	9
119620-79290	17	20	121850-49550	10	26	129052-79270	17	19	129900-02931	1	24
119620-79300	17	21		20	20	129054-77800	19	16	129900-02941	1	36
119620-79310	17	22	121850-49811	10	27	129054-77811	19	18	129900-13251	6	6
119620-79320	17	23	121850-77021	5	19	129054-77820	19	19		20	10
119620-79330	17	24		20	24	129054-77830	19	20	129900-14110	7	6
119620-79340	17	25	121855-13821	6	31	129100-01580	2	1	129900-21220	8	3
119620-79350	17	26	121855-13830	6	32		3	1	129900-21600	8	13
119625-11880	4	23	121857-44800	10	56	129107-44590	10	50	129900-21640	8	8
	20	7	123472-59120	13	41	129113-01740	3	12	129900-23001	8	29
119626-77210	17	2	123500-13840	6	33	129136-59110	14	10	129900-23200	8	32
119626-77450	17	13	123501-79240	17	5	129150-02450	7	4	129900-23601	8	33
119626-77710	17	17	123900-25060	7	9	129150-11230	4	35	129900-23611	8	36

Parts No. Index

Parts No.	Fig. No.	Ref. No.
129900-23911	8	35
129900-25110	7	10
129900-32001	2	4
129900-32030	2	16
	9	5
	20	14
129900-32040	2	17
	20	15
129900-42020	10	11
	20	16
129900-42450	10	15
129900-49870	10	33
	20	21
129900-77040	16	1
129900-77120	16	2
129900-77130	16	5
129900-77140	16	6
129900-77150	16	9
129900-77160	16	10
129900-77170	16	13
129900-77180	16	14
129900-77190	16	15
129900-77270	16	17
129900-77280	16	22
129900-77290	16	23
129900-77380	16	24
129900-77390	16	25
129900-77420	16	26
129900-77430	16	27
129900-77450	16	7
	12	
129902-21050	8	1
129902-77500	19	1 -1
129906-51580	11	61
129907-01331	1	28
	20	2
129907-03011	4	49
129907-03061	4	50
129907-03070	4	51
129907-07900	4	66
129907-11100	4	9
129907-11110	4	10
129907-11120	4	11
129907-11250	4	29
129907-11260	4	30
129907-11270	4	31
129907-11341	4	28
129907-11510	4	15
129907-11650	4	33
129907-11660	4	37

Parts No.	Fig. No.	Ref. No.
129907-11800	4	68
129907-11910	4	24
129907-11920	4	41
129907-11950	4	25
129907-12110	5	1
	20	8
129907-14400	7	2
129907-21660	8	9
129907-25900	7	15
129907-44560	10	54
129907-44600	10	51
129907-44610	10	52
129907-51560	11	58
129907-59140	14	13
129908-14590	7	3
129916-01790	3	6
129916-01800	2	32
129916-21610	8	7
129916-44740	10	16
129916-49530	10	23
129927-11320	4	48
129927-11700	4	2
129927-12060	5	7
129927-12100	5	3
129927-12150	5	2
129927-13101	6	2
129927-13150	6	1
129927-13800	6	19
129927-13810	6	20
	20	11
129927-13910	6	24
	20	12
129927-13920	6	25
	20	13
129927-22050	8	21
129927-22080	8	19
129927-39060	9	16
129927-42000	10	1
129927-42140	2	17 A
129927-44900	10	20
129927-49610	10	40
129927-49620	10	44
129927-51250	11	141
129927-51390	11	25
129927-51650	11	125
129927-51660	11	126
129927-51670	11	129
129927-53000	13	2
129927-59550	14	16
129927-59810	13	47

Parts No.	Fig. No.	Ref. No.
129927-59820	13	48
129927-59830	13	49
129927-59840	13	50
129927-75900	18	19
129927-77600	18	11
	20	
129927-77680	18	12
	21	
129927-77690	19	11
129927-77910	19	26
129927-77920	19	27
129927-91040	19	29
129927-91050	19	30
129928-13900	6	23
129928-51900	11	11
129930-13201	6	9
	20	28
	20	9
129933-11310	4	57
	20	3
129933-12500	5	8
129935-12520	5	9
129938-13520	6	10
129938-13670	6	12
129938-77800	19	13
129938-77810	19	23
129938-92610	20	1
129940-44500	10	48
129944-01500	2	3
129944-13660	6	11
129949-12560	5	13
129951-01740	2	26
129953-25300	7	14
129953-34830	9	2
129953-35000	9	6
129955-01600	3	2
129955-21460	8	14
129955-21590	8	11
129957-59120	14	6
129960-21930	8	44
129960-21940	8	8 -1
129961-59110	14	11
129961-59310	14	8
129981-49050	10	65
129981-49062	10	66
129982-01710	3	7
129988-49800	10	19
129988-75040	18	1
129988-77330	17	28
144626-51090	11	13

Parts No.	Fig. No.	Ref. No.
158552-51571	11	59
158552-51580	11	62
158552-51670	11	130
158552-51781	11	101
158552-52100	11	132
158552-52311	11	110
158552-52400	11	111
158552-52500	11	133
158553-51670	11	67
158553-51680	11	79
158553-51930	11	104
	12	2
158553-61780	12	27
158557-51570	11	60
158557-61720	12	16
158563-51150	11	16
158563-51281	11	23
	24	
158563-51330	11	35
158600-51270	11	22
158601-51550	11	57
158601-51650	11	128
158601-51770	11	100
158601-51790	11	102
160797-75440	10	29
170064-67210	15	21
171008-77410	16	3
171008-77420	16	4
171008-77450	16	8
171008-77670	16	18
171008-77750	16	29
171010-77850	19	25
171048-67010	15	6
171048-67130	15	15
171048-67140	15	16
171051-01921	1	5
171056-49120	10	37
171085-67100	15	12
171085-67110	15	13
171085-67120	15	14
171090-91011	19	32 -1
171102-66080	15	7
171375-39601	9	14
175339-79700	4	59
185100-50070	19	17
194940-52110	19	1
194990-22130	19	14
198360-52160	19	6
198461-52950	19	9
22117-060000	15	22

Parts No. Index

Parts No.	Fig. No.	Ref. No.
22137-100000	15	23
22157-080000	6	13
22190-080002	9	21
		23
		25
	14	21
	20	25
22190-120002	10	30
	11	105
		112
		135
	12	28
	20	26
22190-180002	11	106
22190-220002	3	10
	20	27
22217-050000	11	136
22217-100000	15	24
22217-180000	11	113
22252-000300	8	28
22252-000721	8	16
22272-000050	15	25
22312-050140	11	114
22351-020006	15	17
22351-050010	11	115
22351-060012	1	11
22411-200150	15	18
22512-070140	7	7
	8	6
22857-500100	4	60
		61
22877-500080	18	14
		23
23000-060000	10	67
23000-080000	5	14
23000-090000	5	15
23080-012000	10	43
		47
23414-080000	10	34
	20	28
23414-220000	3	14
23857-030000	9	22
23875-030000	10	31
23876-020000	4	6
23876-030000	1	12
		13
		14
	4	7
24107-063064	8	17
24311-000070	2	18

Parts No.	Fig. No.	Ref. No.
24311-000070	11	116
	19	21
	20	29
24311-000120	4	26
		64
	20	30
24311-000160	14	30
24311-000320	2	25
	4	65
	20	31
24311-000530	20	32
24321-000750	20	33
24341-000480	14	31
24351-030750	12	22
	2	19
24356-190200	11	70
		117
24356-240210	11	118
24372-000150	11	71
25152-004200	10	14
26013-080222	5	16
		17
26014-060122	10	53
26014-080252	17	30
26023-040202	19	22
26106-060102	11	119
	15	26
26106-060122	4	62
	11	137
	19	24
26106-060162	12	23
26106-060202	10	32
26106-060252	12	29
26106-060302	10	12
26106-060352	11	120
26106-060402	6	34
26106-080122	3	11
	9	11
		24
		26
	10	35
26106-080162	2	20
		35
	4	67
	6	14
	7	8
	9	12
26106-080202	2	21
		27
	6	15

Parts No.	Fig. No.	Ref. No.
26106-080202	6	16
	11	142
26106-080222	8	18
26106-080252	12	24
26106-080302	11	143
	14	3
26106-080402	2	36
	4	43
	5	22
26106-080452	2	22
		28
	5	5
26106-080552	7	13
	10	13
		18
26106-080602	4	44
		45
	10	36
26106-080702	2	37
26106-080752	2	29
26106-080802	5	6
26106-080902	5	23
26106-100302	6	21
		26
26106-100952	6	27
26106-120252	16	30
26116-060082	15	19
26206-100352	3	4
26206-100702	3	5
26216-060202	5	4
26216-100302	2	15
26226-080222	4	42
26306-080002	4	46
	6	8
		17
		18
		22
26306-100002	2	23
	17	27
26347-040002	6	35
26347-060002	6	36
26366-060002	13	51
26450-100452	11	121
26557-040352	6	37
26657-100002	15	27
26716-050002	11	138
26776-180002	11	122
26921-050122	15	20
27241-160000	11	139
27241-300000	1	10

Parts No.	Fig. No.	Ref. No.
27241-400000	4	8
27310-070001	4	20
28110-100120	20	37
28110-140170	20	38
28110-190220	20	39
28210-000140	20	40
43720-500950	6	38
46150-504500	1	29
46150-513400	19	32
721400-92102	20	34
729900-02801	1	30
729907-01559	2	30
729927-01560	1	1
729927-22900	8	38
729927-22950	8	40
729927-53100	13	1
729939-51390	11	1
977770-1207F	20	42
X2114955020	16	16
X2130631300	16	11
X9490561001	17	3