

0CD50-M04400EN

P R E F A C E

This parts catalog is the 1st edition of 4TNV98-ZNAT for Agritech.

Published : January, 2019

Contents

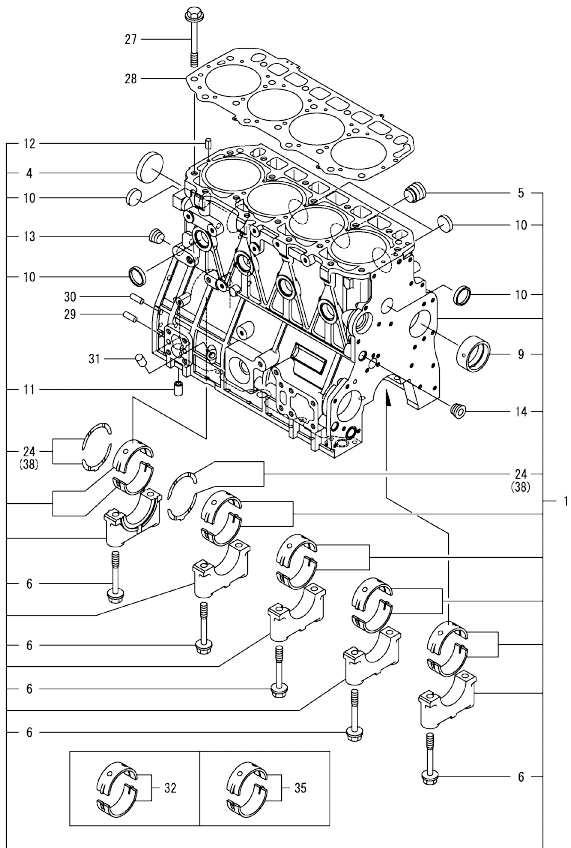
0CD50-M04400

Fig. No.	Fig. Name	Fig. No.	Fig. Name
ENGINE			
1.	CYLINDER BLOCK		
2.	GEAR HOUSING		
3.	OIL SUMP		
4.	CYLINDER HEAD & BONNET		
5.	SUCTION MANIFOLD		
6.	EXHAUST MANIFOLD		
7.	CAMSHAFT & DRIVING GEAR		
8.	CRANKSHAFT & PISTON		
9.	BALANCER		
10.	LUB. OIL SYSTEM		
11.	COOLING WATER SYSTEM		
12.	FUEL INJECTION PUMP		
13.	GOVERNOR		
14.	FUEL INJECTION VALVE		
15.	FUEL PIPE		
16.	ELECTRONIC CONTROL UNIT(ECU)		
17.	ACCESSORY		

Fig.1. CYLINDER BLOCK

(A)=4TNV98-ZNAT
(B)=
(C)=

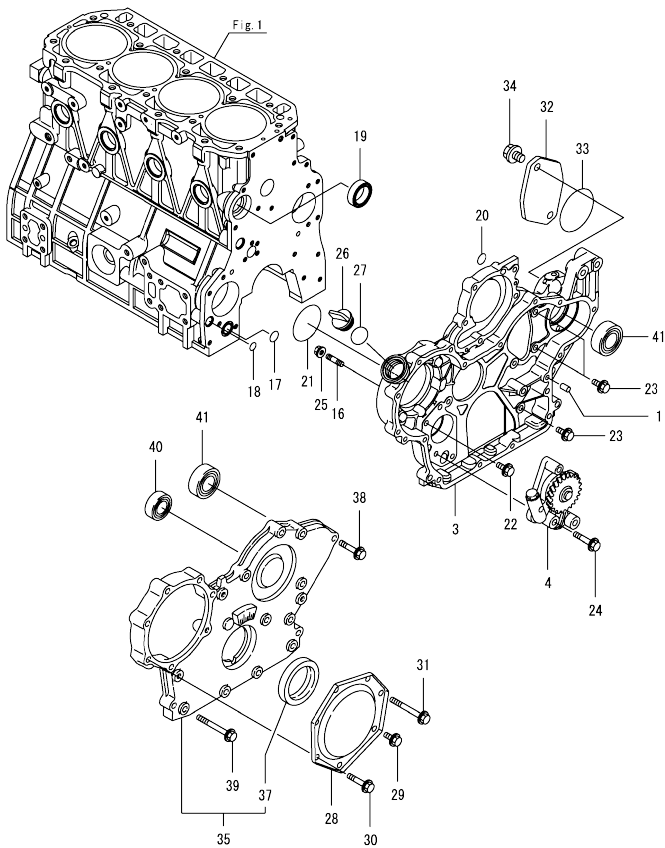
(D)=
(E)=
(F)=



No.	Lev.	Parts No.	Description	Q'ty						I	R
				(A)	(B)	(C)	(D)	(E)	(F)		
1	1	729968-01560	BLOCK ASSY, CYLINDER	1							
4	2	129900-01250	PLUG, 55	1							
5	2	171051-01921	PLUG, NPTF1	1							
6	2	129900-02020	BOLT, METAL CAP	10							
9	2	129900-02410	BUSH, CAMSHAFT	1							
10	2	27241-300000	PLUG 30	8							
11	2	129956-01710	PIPE, KNOCK L=25	1							
12	2	22351-060012	PIN, SPRING 6.0X12	2							
13	2	23876-030000	PLUG, R03	1							
14	2	23876-030000	PLUG, R03	1							
24	2	129927-02930	BEARING ASSY, THRUST	2							
27	1	129900-01200	BOLT, CYLINDER HEAD	18							
28	1	129907-01331	GASKET, HEAD	1							
29	1	129100-01580	PIN, PARALLEL 8X16	2							
30	1	129100-01580	PIN, PARALLEL 8X16	2							
31	1	119309-01810	PLUG	1							
32	1	729927-02800	BEARING ASSY, MAIN	5							1
35	1	129927-02340	BEARING ASSY, MAIN US	5							2
38	1	129927-02940	BEARING, THRUST 0.250S	2							3

Remarks
(1) Spare parts.
(2) Under-sized (U.S.=0.25) parts.
(3) Over-sized (O.S.=0.25) parts.

Fig.2. GEAR HOUSING

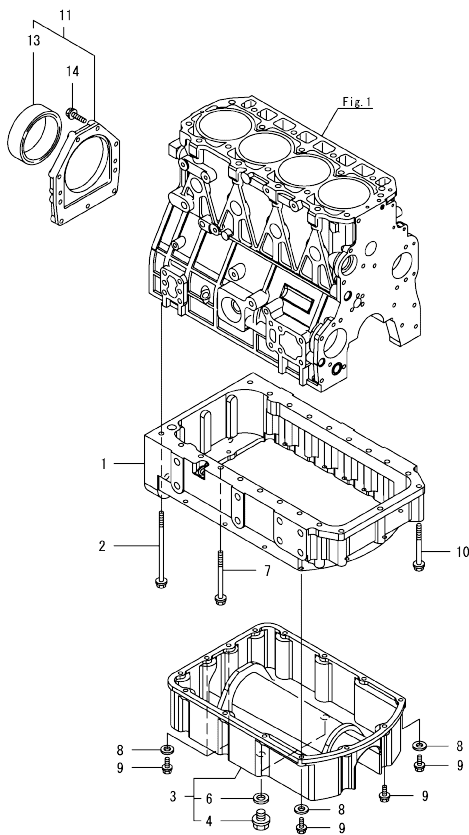


No.	Lev.	Parts No.	Description	Q'ty					
				(A)	(B)	(C)	(D)	(E)	(F)
1	1	129100-01580	PIN, PARALLEL 8X16	4					
3	1	129962-01500	CASE, GEAR	1					
4	1	129956-32001	PUMP ASSY, OIL	1					
16	1	26216-100302	STUD, M10X 30	4					
17	1	129900-32030	O-RING, P20	1					
18	1	129900-32040	O-RING, P14	1					
19	1	129927-42140	GASKET, PUMP OUTLET	1					
20	1	24311-000070	O-RING, 1AP7.0	1					
21	1	24351-030750	O-RING, 1A3075	1					
22	1	26106-080162	BOLT, M8X 16 PLATED	1					
23	1	26106-080202	BOLT, M8X 20 PLATED	3					
24	1	26106-080452	BOLT, M8X 45 PLATED	3					
25	1	26306-100002	NUT, M10	4					
26	1	124160-01751	CAP, FILLER	1					
27	1	24311-000320	O-RING, 1AP32.0	1					
28	1	129951-01740	COVER, PUMP TIMING	1					
29	1	26106-080202	BOLT, M8X 20 PLATED	1					
30	1	26106-080452	BOLT, M8X 45 PLATED	5					
31	1	26106-080752	BOLT, M8X 75 PLATED	1					
32	1	121023-26071	COVER, PUMP	1					
33	1	24321-000850	O-RING, 1AG85.0	1					
34	1	26106-100202	BOLT, M10X 20 PLATED	2					
35	1	729907-01559	COVER ASSY, CASE	1					
37	2	129916-01800	SEAL, OIL	1					
38	1	26106-080402	BOLT, M8X 40 PLATED	5					
39	1	26106-080702	BOLT, M8X 70 PLATED	6					
40	1	129900-14140	BEARING, BALL 6205	1					
41	1	129900-26250	BEARING, BALL 6206C3	2					

N:Old $\frac{100}{100}$ New, Q:Old $\frac{100}{100}$ New, R:Old $\frac{100}{100}$ New, S:Old $\frac{100}{100}$ New, W:Add, Z:Discontinued, F:Interchangeable by set, K:Q'ty Change
 Copyright (C) 2018 YANMAR GLOBAL CS CO., LTD. All Rights Reserved.

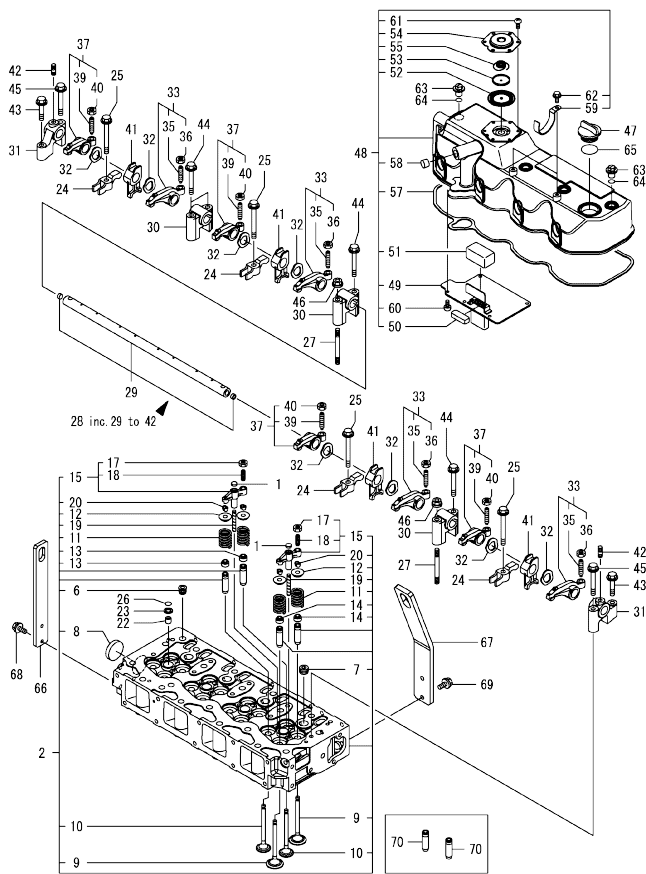
OCD50-M04400 ENGINE
 Fig.3. OIL SUMP

OCD50-M04400 Fig.3



No.	Lev.	Parts No.	Description	Q'ty						I	R
				(A)	(B)	(C)	(D)	(E)	(F)		
1	1	129956-01731	OIL PAN	1							
2	1	129972-01731	BOLT, M8X150	2							
3	1	129956-01760	COVER ASSY, OIL PAN	1							
4	2	105425-01690	PLUG, DRAIN M16	2							
6	2	22190-160002	WASHER, SEAL 16	2							
7	1	129693-44310	BOLT, COOLER	16							
8	1	22190-080002	WASHER, SEAL 8	4							
9	1	26106-080252	BOLT, M8X 25 PLATED	14							
10	1	26106-080852	BOLT, M8X 85 PLATED	3							
11	1	129968-01640	CASE ASSY, OIL SEAL	1							
13	2	129916-01790	SEAL, D115/95XT11	1							
14	1	26106-080302	BOLT, M8X 30 PLATED	9							

Fig.4. CYLINDER HEAD & BONNET



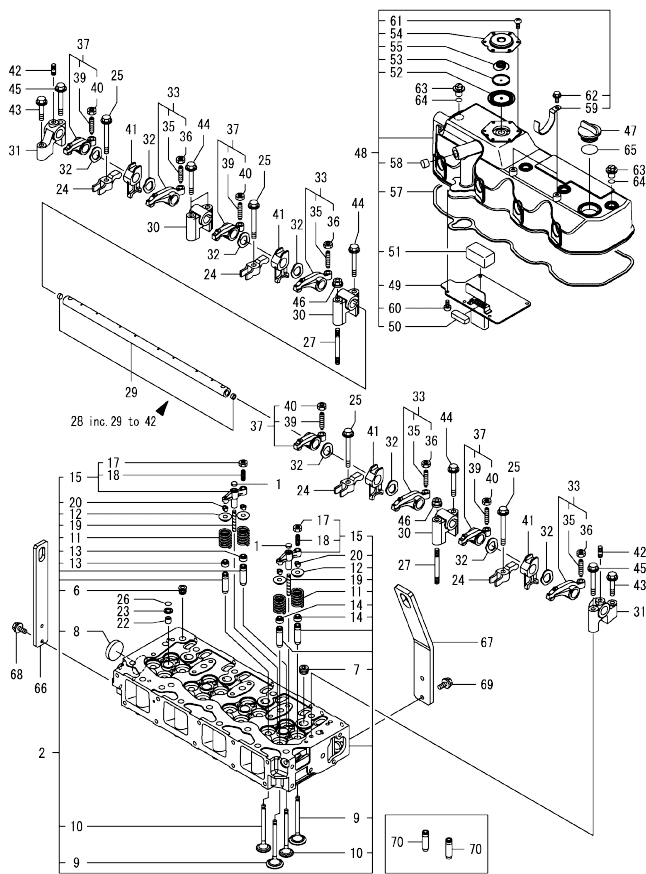
(A)=4TNV98-ZNAT
(B)=
(C)=

(D)=
(E)=
(F)=

No.	Lev.	Parts No.	Description	Q'ty						I	R
				(A)	(B)	(C)	(D)	(E)	(F)		
1	1	123907-11550	SEAT, VALVE BRIDGE	8							
2	1	129927-11700	HEAD ASSY, CYLINDER	1							
6	2	23876-020000	PLUG, R02	1							
7	2	23876-030000	PLUG, R03	4							
8	2	27241-400000	PLUG, 40	1							
9	2	129907-11100	VALVE, INTAKE	8							
10	2	129907-11110	VALVE, EXHAUST	8							
11	2	129907-11120	SPRING, VALVE	16							
12	2	119620-11180	RETAINER, SPRING	16							
13	2	119803-11340	SEAL, VALVE STEM	8							
14	2	124160-11340	SEAL, VALVE STEM	8							
15	2	129907-11510	BRIDGE ASSY, VALVE	8							
17	3	129150-11750	NUT, M8XP1.0	8							
18	3	123907-11830	ADJUSTER, BRIDGE	8							
19	2	123907-11820	GUIDE, BRIDGE	8							
20	2	27310-070001	COTTER, 7	16							
22	1	119802-11870	PROTECTOR, NOZZLE	4							
23	1	119625-11880	SEAT, NOZZLE	4							
24	1	129907-11960	RETAINER, NOZZLE	4							
25	1	129907-11950	BOLT, VALVE HOLDER	4							
26	1	24311-000120	O-RING, 1AP12.0	4							
27	1	119593-11301	STUD, M8X80	2							
28	1	129907-11341	SUPPORT ASSY, ROCKER	1							
29	2	129907-11250	SHAFT, ROCKER ARM	1							
30	2	129907-11260	SUPPORT, ROCKER A	3							
31	2	129907-11270	SUPPORT, ROCKER B	2							
32	2	123907-11280	WASHER, WAVE	8							
33	2	129907-11650	ARM ASSY, ROCKER INT	4							
35	3	129150-11230	SCREW, VALVE ADJUST	4							
36	3	129150-11750	NUT, M8XP1.0	4							
37	2	129907-11660	ARM ASSY, ROCKER EXH	4							
39	3	129150-11230	SCREW, VALVE ADJUST	4							
40	3	129150-11750	NUT, M8XP1.0	4							
41	2	129907-11920	RETAINER, NOZZLE	4							
42	2	26226-080222	STUD, M8X 22	2							
43	1	26106-080402	BOLT, M8X 40 PLATED	2							
44	1	26106-080602	BOLT, M8X 60 PLATED	4							
45	1	26106-080602	BOLT, M8X 60 PLATED	2							
46	1	26306-080002	NUT, M8	2							
47	1	124160-01751	CAP, FILLER	1							
48	1	129922-11320	BONNET ASSY	1							
49	2	129907-03011	PLATE, BAFFLE	1							
50	2	129907-03061	BAFFLE, BREATHER	1							
51	2	129907-03070	BAFFLE, BREATHER	1							
52	2	123907-03100	DIAPHRAGM, BREATHER	1							
53	2	123907-03110	PLATE, CENTER	1							
54	2	129922-03120	PLATE, BREATHER	1							
55	2	123907-03140	SPRING, DIAPHRAGM	1							
57	2	129933-11310	GASKET, BONNET	1							
58	2	119640-61400	PLUG	1							
59	2	175339-79700	CLIP	2							

Remarks
(1)Spare parts.

Fig.4. CYLINDER HEAD & BONNET



(A)=4TNV98-ZNAT
(B)=
(C)=

(D)=
(E)=
(F)=

No.	Lev.	Parts No.	Description	Q'ty						I	R
				(A)	(B)	(C)	(D)	(E)	(F)		
60	2	22857-500100	SCREW, 5X10	6							
61	2	22857-500100	SCREW, 5X10	6							
62	2	26106-060122	BOLT, M6X 12 PLATED	2							
63	1	124160-11360	KNOB, BONNET	4							
64	1	24311-000120	O-RING, 1AP12.0	4							
65	1	24311-000320	O-RING, 1AP32.0	1							
66	1	129973-07910	LIFTER	1							
67	1	129968-07920	LIFTER	1							
68	1	26106-080202	BOLT, M8X 20 PLATED	2							
69	1	26106-080202	BOLT, M8X 20 PLATED	2							
70	1	129907-11800	GUIDE, VALVE	16							1

Remarks

(1)Spare parts.

Fig.5. SUCTION MANIFOLD

(A)=4TNV98-ZNAT
(B)=
(C)=

(D)=
(E)=
(F)=

No.	Lev.	Parts No.	Description	Q'ty					
				(A)	(B)	(C)	(D)	(E)	(F)
1	1	129968-12102	MANIFOLD, INTAKE	1					
2	1	129907-12110	GASKET, MANIFOLD	1					
3	1	26106-080552	BOLT, M8X 55 PLATED	5					
4	1	26106-080852	BOLT, M8X 85 PLATED	5					
5	1	121850-77021	GASKET, AIR HEATER	1					
6	1	129906-77520	BEND, INTAKE	1					
7	1	26106-080252	BOLT, M8X 25 PLATED	2					
8	1	26106-080952	BOLT, M8X 95 PLATED	2					

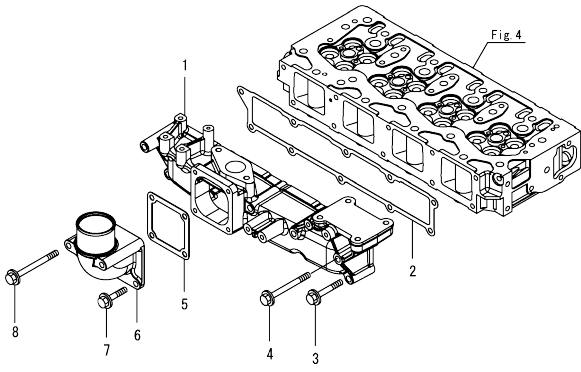
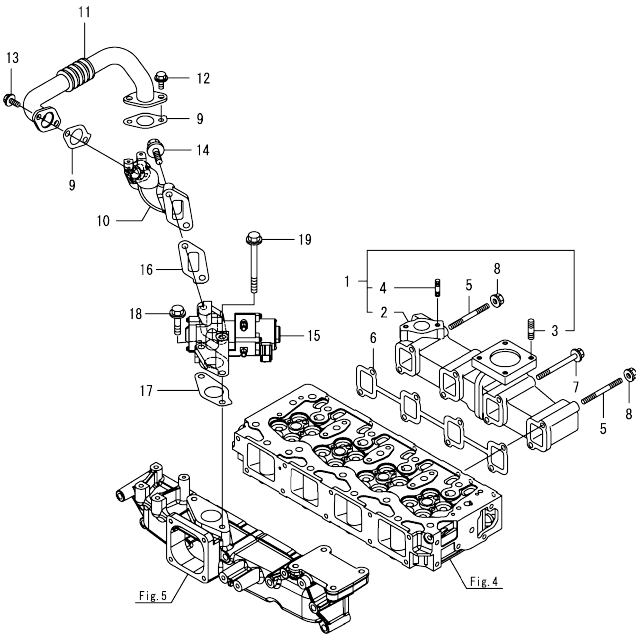


Fig.6. EXHAUST MANIFOLD

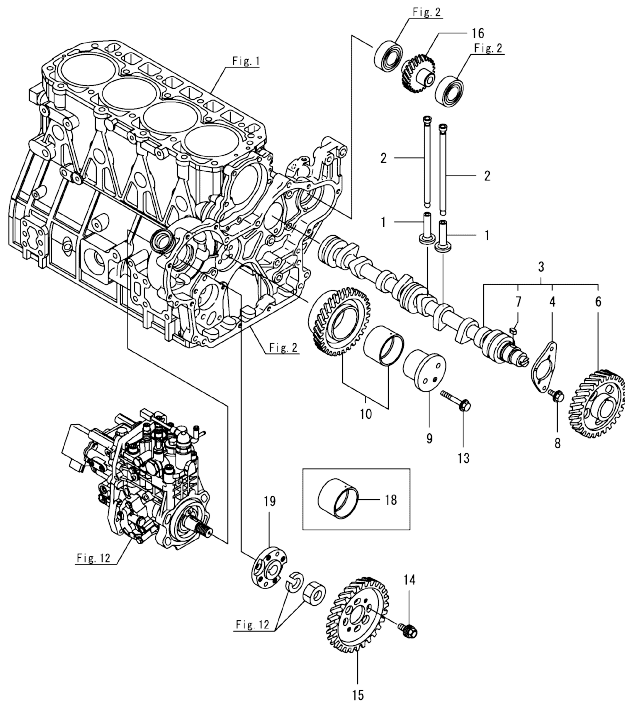


(A)=4TNV98-ZNAT
(B)=
(C)=

(D)=
(E)=
(F)=

No.	Lev.	Parts No.	Description	Q'ty						I	R
				(A)	(B)	(C)	(D)	(E)	(F)		
1	1	129968-13150	MANIFOLD ASSY	1							
2	2	129968-13100	MANIFOLD, EXHAUST	1							
3	2	119131-18320	STUD, M8X22	4							
4	2	129418-18320	STUD, M8X20	2							
5	1	129263-13210	STUD, M8X90	2							
6	1	129900-13251	GASKET, MANIFOLD	1							
7	1	129E00-13650	BOLT, M8X90 10.9T	6							
8	1	26306-080002	NUT, M8	2							
9	1	129927-13810	GASKET, EGR PIPE	2							
10	1	129973-13840	DUCT, EGR VALVE IN	1							
11	1	129968-13850	PIPE ASSY, EGR A	1							
12	1	26106-080162	BOLT, M8X 16 PLATED	2							
13	1	26106-080162	BOLT, M8X 16 PLATED	2							
14	1	26106-100302	BOLT, M10X 30 PLATED	2							
15	1	129928-13900	VALVE, EGR	1							
16	1	129927-13910	GASKET, EGR	1							
17	1	129927-13920	GASKET, EGR	1							
18	1	26106-100402	BOLT, M10X 40 PLATED	1							
19	1	26106-101052	BOLT, M10X105 PLATED	1							

Fig.7. CAMSHAFT & DRIVING GEAR



(A)=4TNV98-ZNAT
(B)=
(C)=

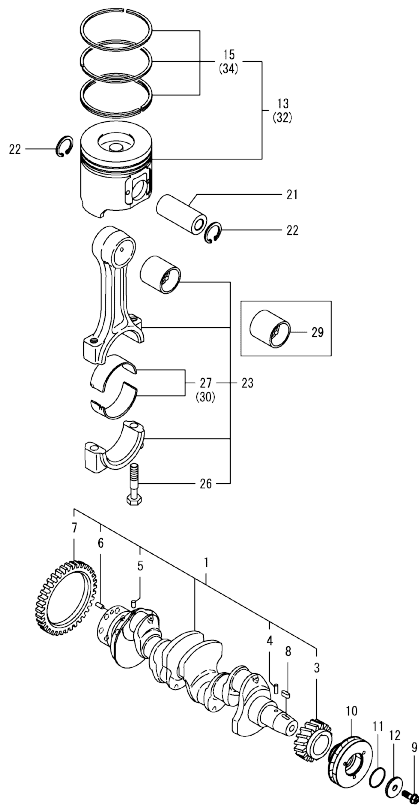
(D)=
(E)=
(F)=

No.	Lev.	Parts No.	Description	Q'ty						I	R
				(A)	(B)	(C)	(D)	(E)	(F)		
1	1	129150-14200	TAPPET	8							
2	1	129907-14400	ROD, PUSH	8							
3	1	129908-14590	CAMSHAFT ASSY	1							
4	2	129150-02450	METAL, THRUST	1							
6	2	129900-14110	GEAR, CAMSHAFT	1							
7	2	22512-070140	KEY, 7X 14	1							
8	1	26106-080142	BOLT, M8X 14 PLATED	2							
9	1	123900-25060	SHAFT, IDLE GEAR	1							
10	1	129927-25110	GEAR ASSY, IDLE	1							
13	1	26106-080552	BOLT, M8X 55 PLATED	3							
14	1	129953-25300	BOLT, PUMP BODY	4							
15	1	129907-25900	GEAR, PUMP	1							
16	1	129900-26030	GEAR ASSY, PUMP	1							
18	1	129927-25920	BUSH, IDLE GEAR	1							1
19	1	158563-51150	FLANGE	1							

Remarks

(1)Spare parts.

Fig.8. CRANKSHAFT & PISTON



(A)=4TNV98-ZNAT
(B)=
(C)=

(D)=
(E)=
(F)=

No.	Lev.	Parts No.	Description	Q'ty						I	R
				(A)	(B)	(C)	(D)	(E)	(F)		
1	1	129942-21000	CRANKSHAFT ASSY	1							
3	2	129900-21220	GEAR, CRANKSHAFT	1							
4	2	121850-21290	PIN, CRANK GEAR	1							
5	2	121850-21290	PIN, CRANK GEAR	1							
6	2	121850-21920	PIN, PARALLEL 10X22	1							
7	2	129956-28321	GEAR, BALANCER DRIVE	1							
8	1	22512-070140	KEY, 7X 14	1							
9	1	129916-21610	BOLT, V-PULLEY	1							
10	1	129907-21650	V-PULLEY, CRANKSHAFT	1							
11	1	129960-21930	GASKET, WASHER	1							
12	1	129960-21940	WASHER, V-PULLEY	1							
13	1	129968-22080	PISTON ASSY	4							
15	2	129927-22050	RING SET, PISTON	4							
21	1	120130-22301	PIN, PISTON	4							
22	1	22252-000300	RING, 30	8							
23	1	129900-23001	ROD ASSY, CONNECTING	4							
26	2	129900-23200	BOLT, CONNECTING ROD	8							
27	2	129927-23600	BEARING ASSY, PIN	4							
29	1	129900-23911	METAL, PISTON PIN	4							1
30	1	129927-23610	BEARING ASSY, PIN US	4							2
32	1	729928-22900	PISTON ASSY, 0.25 OS	4							3
34	2	729927-22950	RING SET, PISTON .25	4							3

Remarks

- (1) Spare parts.
- (2) Under-sized (U.S.=0.25) parts.
- (3) Over-sized (O.S.=0.25) parts.

OCD50-M04400 ENGINE
 Fig.9. BALANCER

OCD50-M04400 Fig.9

(A)=4TNV98-ZNAT
 (B)=
 (C)=

(D)=
 (E)=
 (F)=

No.	Lev.	Parts No.	Description	Q'ty						I	R
				(A)	(B)	(C)	(D)	(E)	(F)		
1	1	129795-01960	PIPE, KNOCK 11X12	2							
2	1	129956-28009	BALANCER ASSY	1							
2-1	1	129956-28030	BALANCER ASSY	1							R
(A=E150782)											
3	2	128610-14120	NUT, END	1							
4	2	121850-21290	PIN, CRANK GEAR	2							
5	2	121850-21290	PIN, CRANK GEAR	1							
6	2	129956-28019	CASE ASSY, BALANCER	1							
6-1	2	129956-28040	CASE ASSY, BALANCER	1							R
(A=E150782)											
10	2	129956-28101	SHAFT, BALANCER A	1							
11	2	129956-28111	SHAFT, BALANCER B	1							
12	2	129956-28180	PLATE, THRUST	2							
13	2	129956-28332	GEAR, BALANCER DRIVE	1							
14	2	129956-28341	GEAR, BALANCER	2							
15	2	23876-005000	PLUG, R005	1							
16	2	26106-080142	BOLT, M8X 14 PLATED	4							
17	1	24311-000200	O-RING, 1AP20.0	1							
18	1	26106-080602	BOLT, M8X 60 PLATED	6							

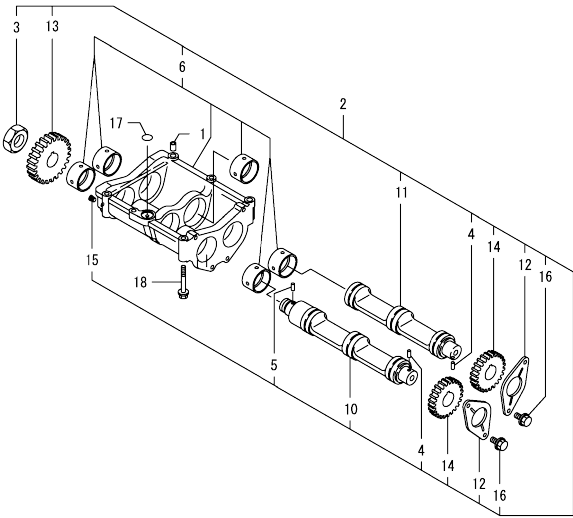
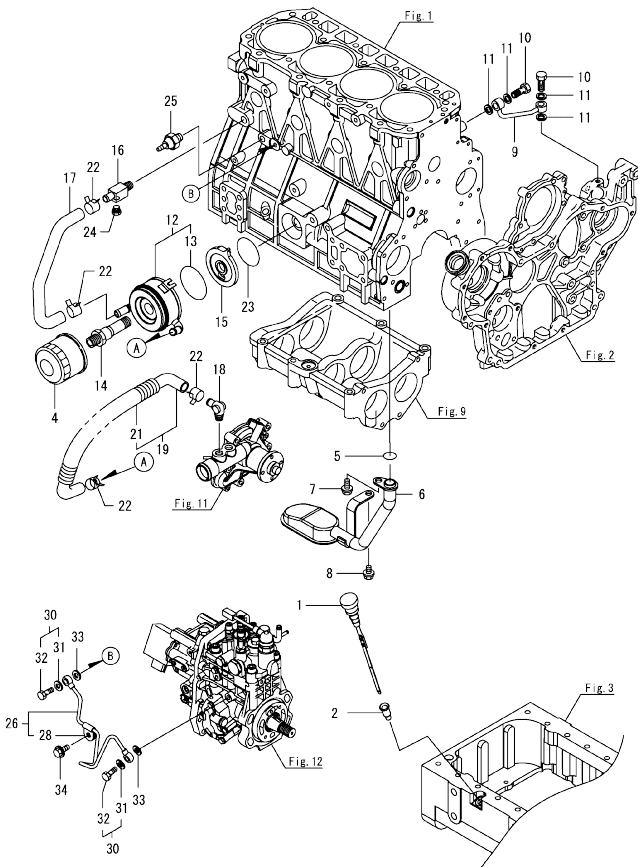


Fig.10. LUB. OIL SYSTEM



(A)=4TNV98-ZNAT
(B)=
(C)=

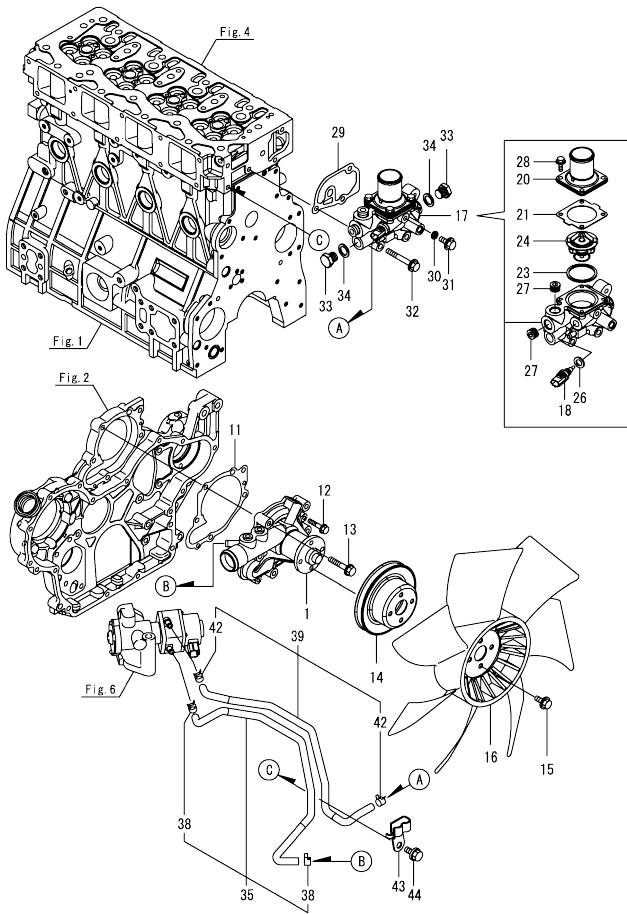
(D)=
(E)=
(F)=

No.	Lev.	Parts No.	Description	Qty						I	R
				(A)	(B)	(C)	(D)	(E)	(F)		
1	1	129963-34800	DIPSTICK, OIL	1							
2	1	119860-34810	GUIDE, DIPSTICK	1							
4	1	129150-35153	FILTER ASSY, D80X80L	1							1
5	1	129900-32030	O-RING, P20	1							
6	1	129956-35100	PIPE ASSY, OIL INLET	1							
7	1	26106-080142	BOLT, M8X 14 PLATED	1							
8	1	26106-080202	BOLT, M8X 20 PLATED	1							
9	1	129930-39050	PIPE, HO PUMP	1							
10	1	105010-39140	BOLT, PIPE JOINT M8	2							
11	1	22190-080002	WASHER, SEAL 8	4							
12	1	129908-33010	COOLER ASSY, OIL	1							
13	2	123912-33050	O-RING	1							
14	1	123912-33100	BOLT, COOLER	1							
15	1	129908-33101	BRACKET, COOLER	1							
16	1	129006-44480	JOINT, R02	1							
17	1	129908-49060	HOSE, WATER	1							
18	1	129466-49300	ELBOW, PT3/8	1							
19	1	123910-49600	HOSE ASSY, WATER	1							
21	2	123910-49610	TUBE, CORRUGATED	1							
22	1	23000-025000	CLAMP, 25	4							
23	1	24321-000600	O-RING, 1AG60.0	1							
24	1	171056-49120	PLUG, DRAIN R 1/4	1							
25	1	114250-39450	SWITCH, HYDRAULIC	1							
26	1	129927-39060	PIPE ASSY, OIL	1							
28	2	123907-39500	RETAINER, PIPE	1							
30	1	129005-59830	BOLT ASSY, JOINT M8	2							
31	2	22190-080002	WASHER, SEAL 8	2							
32	2	23857-030000	BOLT, JOINT 3	2							
33	1	22190-080002	WASHER, SEAL 8	2							
34	1	26106-080122	BOLT, M8X 12 PLATED	1							

Remarks

(1) Spare parts.

Fig.11. COOLING WATER SYSTEM

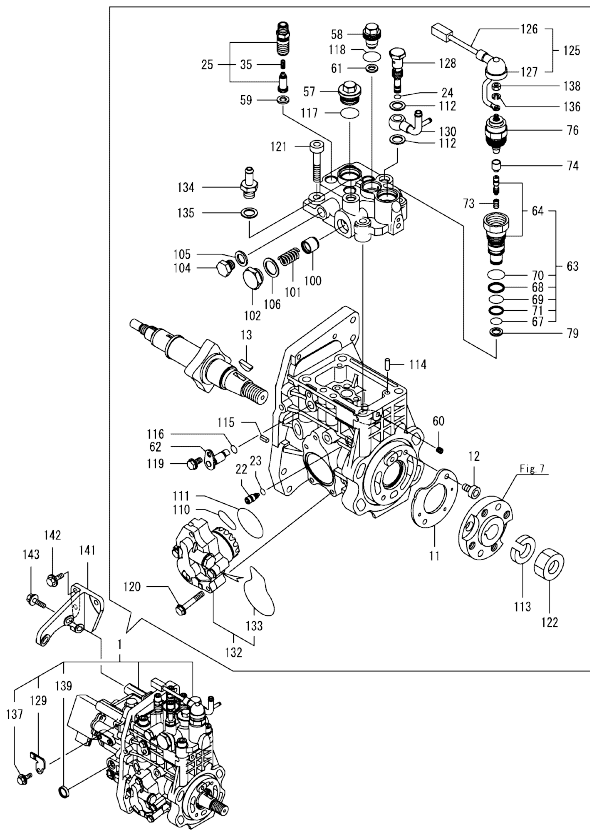


No.	Lev.	Parts No.	Description	Q'ty						I	R
				(A)	(B)	(C)	(D)	(E)	(F)		
1	1	129927-42002	PUMP ASSY, CW	1							
11	1	129900-42020	GASKET, WATER PUMP	1							
12	1	26106-060302	BOLT, M6X 30 PLATED	2							
13	1	26106-080552	BOLT, M8X 55 PLATED	5							
14	1	129900-42462	V-PULLEY, PUMP	1							
15	1	26106-080122	BOLT, M8X 12 PLATED	4							
16	1	129907-44740	FAN, COOLING D=430X7	1							
17	1	129927-49800	CASE ASSY, THERMOSTAT	1							
18	2	129927-44900	SENSOR, TEMPERATURE	1							
20	2	129916-49530	COVER, THERMOSTAT	1							
21	2	121850-49540	GASKET, THERMOSTAT	1							
23	2	121850-49550	GASKET, THERMOSTAT	1							
24	2	121850-49811	THERMOSTAT, 71C	1							
26	2	22190-120002	WASHER, SEAL 12	1							
27	2	23875-030000	PLUG, R03	2							
28	2	26106-060202	BOLT, M6X 20 PLATED	4							
29	1	129900-49870	GASKET, THERMOSTAT	1							
30	1	23414-080000	GASKET, 8X1.0	1							
31	1	26106-080122	BOLT, M8X 12 PLATED	1							
32	1	26106-080602	BOLT, M8X 60 PLATED	3							
33	1	121450-42450	PLUG, M16	2							
34	1	124465-44950	GASKET, 16	2							
35	1	129968-49610	PIPE ASSY, EGR-V A	1							
38	2	23080-012000	CLAMP, 12	2							
39	1	129968-49620	PIPE ASSY, EGR-V B	1							
42	2	23080-012000	CLAMP, 12	2							
43	1	129968-49850	RETAINER, PIPE	1							
44	1	26106-080142	BOLT, M8X 14 PLATED	1							

Fig.12. FUEL INJECTION PUMP

(A)=4TNV98-ZNAT
(B)=
(C)=

(D)=
(E)=
(F)=



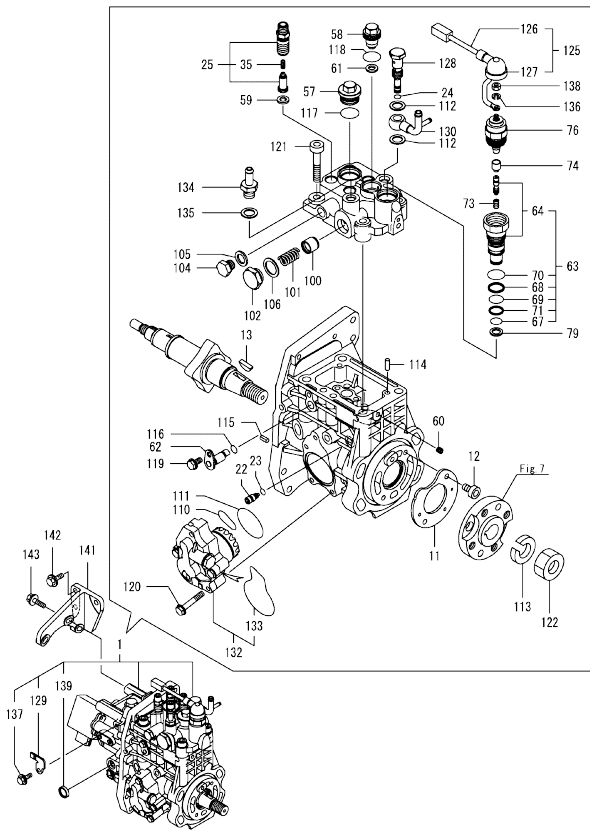
No.	Lev.	Parts No.	Description	Q'ty						I	R
				(A)	(B)	(C)	(D)	(E)	(F)		
1	1	729968-51430	FIE ASSY	1							1
11	2	129928-51900	COVER, OIL	1							
12	2	129008-51920	BOLT, M6X10	2							
13	2	144626-51090	KEY, FEATHER 5X19	1							
22	2	158600-51270	STOPPER, TAPPET	1							
23	2	158563-51281	O-RING, 4D S6	1							
24	2	158563-51281	O-RING, 4D S6	1							
25	2	129927-51390	VALVE ASSY, DELIVERY	4							
35	3	158563-51330	SPRING, DELIVERY	4							
57	2	158601-51550	PLUG, M22	1							
58	2	129907-51560	PLUG, M16	1							
59	2	158552-51571	GASKET, BARREL PLUG	4							
60	2	158557-51570	PLUG, RACK	1							
61	2	129906-51580	GASKET, BARREL PLUG	1							
62	2	158552-51580	LIFTER, LINK	1							
63	2	129657-51590	TIMER ASSY	1							
64	3	129657-51600	TIMER ASSY	1							
67	3	158553-51670	O-RING, PUMP TIMER	1							
68	3	119802-51680	RING, BACKUP	1							
69	3	119802-51690	O-RING, 1016	1							
70	3	24356-190200	O-RING, 4D19020	1							
71	3	24372-000150	RING, BACK UP T2P15	1							
73	2	119852-51630	SPRING, TIMER	1							
74	2	119852-51640	CAP, TIMER	1							
76	2	119852-51650	VALVE ASSY, SOLENOID	1							
79	2	158553-51680	GASKET, TIMER	1							
100	2	158601-51770	PISTON, ACCUMULATOR	1							
101	2	158552-51781	SPRING, ACCUMULATOR	1							
102	2	158601-51790	PLUG, ACCUMULATOR	1							
104	2	158553-51930	PLUG, M12	1							
105	2	22190-120002	WASHER, SEAL 12	1							
106	2	22190-180002	WASHER, SEAL 18	1							
110	2	158552-52311	O-RING, FEED PUMP	1							
111	2	158552-52400	O-RING, 4E S42	1							
112	2	22190-120002	WASHER, SEAL 12	2							
113	2	22217-180000	WASHER, SPRING 18	1							
114	2	22312-050140	PIN, PARALLEL 5X14	2							
115	2	22351-050010	PIN, SPRING 5.0X10	2							
116	2	24311-000070	O-RING, 1AP7.0	1							
117	2	24356-190200	O-RING, 4D19020	1							
118	2	24356-240210	O-RING, 4D24021	1							
119	2	26106-060102	BOLT, M6X 10 PLATED	1							
120	2	26106-060352	BOLT, M6X 35 PLATED	4							
121	2	26450-100452	BOLT, M10X 45	4							
122	2	26776-180002	NUT, LOCK M18	1							
125	2	129927-51650	HARNES ASSY, WIRE	1							
126	3	129927-51660	HARNES	1							
127	3	129263-77941	CAP, RUBBER	1							
128	2	158601-51650	JOINT, OVERFLOW	1							
129	2	129927-51670	BRACKET	1							
130	2	158552-51670	JOINT, OVERFLOW	1							

Remarks
 (1)Governor(Fig.13) is incorporated in this Fuel Injection Pump(No.1).
 (1)Eco pump
 Make sure to update the engines ECU information when replacing the Eco pump.
 Failing to do so will result in engine malfunction.

Fig.12. FUEL INJECTION PUMP

(A)=4TNV98-ZNAT
(B)=
(C)=

(D)=
(E)=
(F)=



No.	Lev.	Parts No.	Description	Q'ty					
				(A)	(B)	(C)	(D)	(E)	(F)
132	2	158552-52100	PUMP ASSY, FUEL FEED	1					
133	3	158552-52500	O-RING, PUMP INNER	1					
134	2	119934-59910	JOINT, PIPE	1					
135	2	22190-120002	WASHER, SEAL 12	1					
136	2	22217-050000	WASHER, SPRING 5	1					
137	2	26106-060122	BOLT, M6X 12 PLATED	1					
138	2	26716-050002	NUT, M5	1					
139	2	27241-160000	PLUG, 16	1					
141	1	129927-51250	RETAINER, FUEL PUMP	1					
142	1	26106-080202	BOLT, M8X 20 PLATED	3					
143	1	26106-080302	BOLT, M8X 30 PLATED	3					

Remarks
 (1)Governor(Fig.13) is incorporated in this Fuel Injection Pump(No.1).
 (1)Eco pump
 Make sure to update the engines ECU information when replacing the Eco pump.
 Failing to do so will result in engine malfunction.

OCD50-M04400 ENGINE
 Fig.13. GOVERNOR

OCD50-M04400 Fig.13

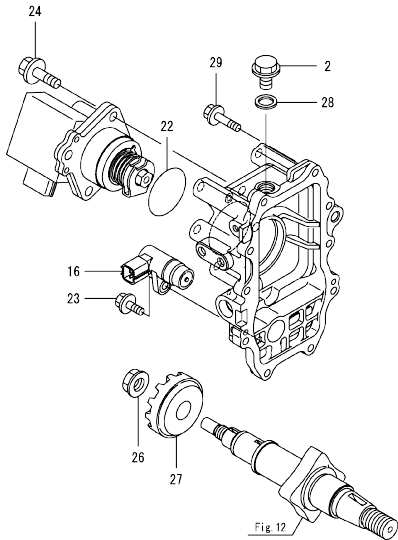


Fig.12

(A)=4TNV98-ZNAT
 (B)=
 (C)=

(D)=
 (E)=
 (F)=

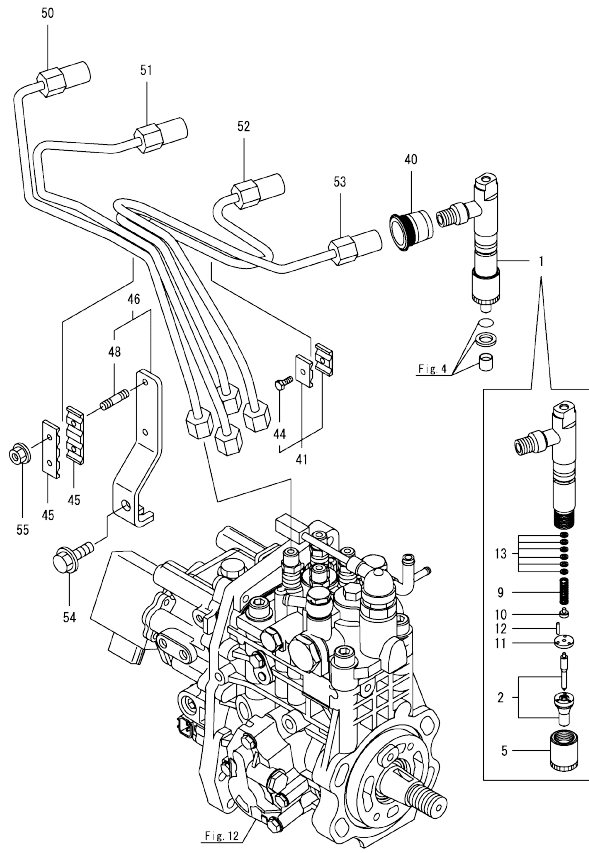
No.	Lev.	Parts No.	Description	Q'ty						I	R
				(A)	(B)	(C)	(D)	(E)	(F)		
2	2	158553-51930	PLUG, M12	1							
16	2	158557-61720	SENSOR, ROTATION	1							
22	2	24341-000480	O-RING, 1AS48.0	1							
23	2	26106-060162	BOLT, M6X 16 PLATED	1							
24	2	26106-080252	BOLT, M8X 25 PLATED	3							
26	2	129008-61301	NUT, SUPPORT	1							
27	2	158553-61780	GEAR, SENSOR	1							
28	2	22190-120002	WASHER, SEAL 12	1							
29	2	26106-060252	BOLT, M6X 25 PLATED	10							

Remarks

* This figure(Governor) is incorporated in the Fuel Injection Pump(Fig.12).

N:Old $\frac{100}{100}$ New, Q:Old $\frac{100}{100}$ New, R:Old $\frac{100}{100}$ New, S:Old $\frac{100}{100}$ New, W:Add, Z:Discontinued, F:Interchangeable by set, K:Q'ty Change
 Copyright (C) 2018 YANMAR GLOBAL CS CO., LTD. All Rights Reserved.

Fig.14. FUEL INJECTION VALVE



(A)=4TNV98-ZNAT
(B)=
(C)=

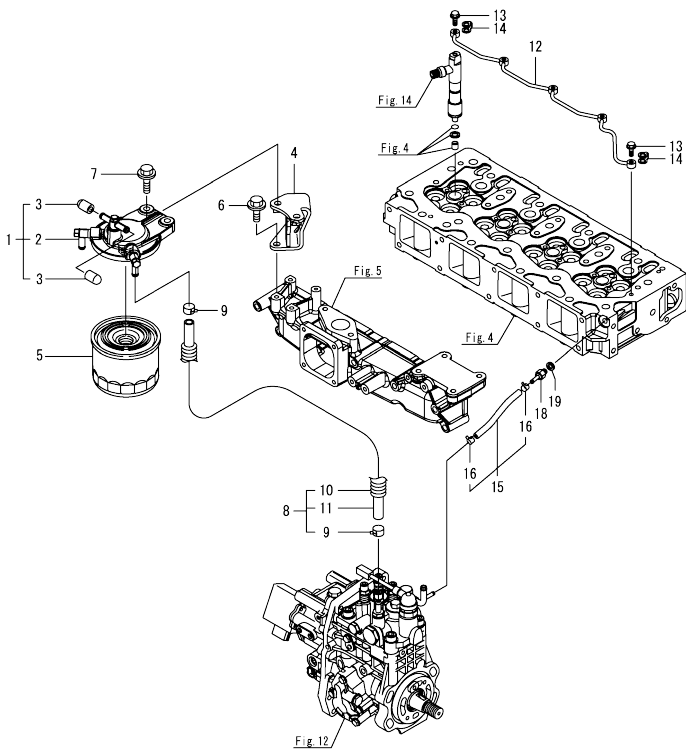
(D)=
(E)=
(F)=

No.	Lev.	Parts No.	Description	Q'ty						I	R
				(A)	(B)	(C)	(D)	(E)	(F)		
1	1	729927-53100	VALVE ASSY,INJECTION	4							
2	2	129927-53000	VALVE ASSY,INJECTION	4							
5	2	114250-53080	NUT, NOZZLE	4							
9	2	114250-53120	SPRING, NOZZLE	4							
10	2	114250-53130	SEAT, SPRING	4							
11	2	114250-53140	SPACER, VALVE STOP	4							
12	2	114250-53210	PIN, POSITIONING	8							
13	2	119803-53400	SHIM SET	4							1
40	1	123907-11601	SEAL, PIPE	4							
41	1	119305-59120	RETAINER, PIPE	1							
44	2	129150-59131	BOLT, M4X14	1							
45	1	123472-59120	RETAINER, PIPE	2							
46	1	129973-59700	SUPPORT ASSY, CLAMP	1							
48	2	26216-060202	STUD, M6X 20	2							
50	1	129973-59810	PIPE ASSY, INJECTION	1							
51	1	129973-59820	PIPE ASSY, INJECTION	1							
52	1	129973-59830	PIPE ASSY, INJECTION	1							
53	1	129973-59840	PIPE ASSY, INJECTION	1							
54	1	26106-080202	BOLT, M8X 20 PLATED	1							
55	1	26366-060002	NUT, M6	2							

Remarks

(1)Spare parts.

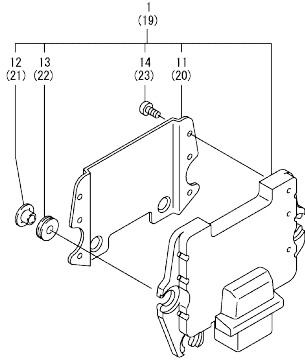
Fig.15. FUEL PIPE



(A)=4TNV98-ZNAT
(D)=
(E)=
(F)=

No.	Lev.	Parts No.	Description	Q'ty						I	R
				(A)	(B)	(C)	(D)	(E)	(F)		
1	1	129973-55610	BRACKET ASSY, FILTER	1							
2	2	119934-55611	BRACKET, FILTER	1							
3	2	129461-59580	CAP, FUEL	2							
4	1	129973-55650	STAY, FUEL FILTER	1							
5	1	129907-55801	FILTER, FUEL	1							
6	1	26106-080202	BOLT, M8X 20 PLATED	2							
7	1	26106-080302	BOLT, M8X 30 PLATED	2							
8	1	129981-59010	HOSE ASSY, FUEL	1							
9	2	124766-59050	CLAMP, HOSE 11.5	2							
10	2	129950-59221	TUBE, CORRUGATED 15	1							
11	2	129980-59510	HOSE, FUEL	1							
12	1	129907-59140	PIPE ASSY, RETURN	1							
13	1	123907-59540	BOLT, PIPE JOINT M6	5							
14	1	123907-59550	GASKET, FUEL RETURN	5							
15	1	129486-59551	HOSE ASSY, RETURN	1							
16	2	124722-59050	CLAMP, HOSE 9	2							
18	1	123907-59560	JOINT, HOSE	1							
19	1	22190-080002	WASHER, SEAL 8	1							

Fig.16. ELECTRONIC CONTROL UNIT(ECU)



(A)=4TNV98-ZNAT
(B)=
(C)=

(D)=
(E)=
(F)=

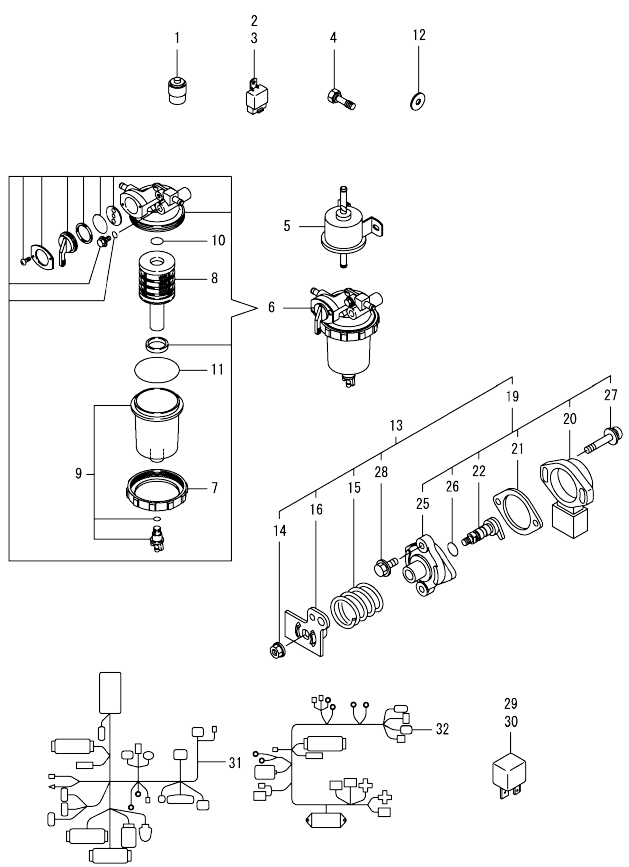
No.	Lev.	Parts No.	Description	Q'ty						I	R
				(A)	(B)	(C)	(D)	(E)	(F)		
1	1	129968-75210	ECU ASSY,4-98-ZNAT	1							1
11	2	129927-77600	SHIELD, ECU	1							
12	2	129927-77680	COLLAR, CONTROLLER	3							
13	2	119578-91351	RUBBER, CONTROLLER	3							
14	2	22877-500080	SCREW, 5X 8	6							
19	1	129927-75901	ECU ASSY, SERVICE	1							2
20	2	129927-77600	SHIELD, ECU	1							
21	2	129927-77680	COLLAR, CONTROLLER	3							
22	2	119578-91351	RUBBER, CONTROLLER	3							
23	2	22877-500080	SCREW, 5X 8	6							

Remarks

- (1)Eco ECU
This part cannot be ordered.
- Replace the part using a Service ECU with the proper engine information installed.
- (2)Service ECU
If the proper information is not installed, the engine will not operate.
- To install proper information, go to an authorized distributor.

OCD50-M04400 ENGINE
 Fig.17. ACCESSORY

OCD50-M04400 Fig.17



(A)=4TNV98-ZNAT
 (B)=
 (C)=

(D)=
 (E)=
 (F)=

No.	Lev.	Parts No.	Description	Q'ty						I	R
				(A)	(B)	(C)	(D)	(E)	(F)		
1	1	126650-12680	INDICATOR	1							
2	1	172B02-17150	RELAY, CA TYPE C	1							
3	1	172B02-17150	RELAY, CA TYPE C	1							
4	1	121850-21130	BOLT, FLYWHEEL	6							
5	1	119225-52102	PUMP, FUEL FEED	1							
6	1	119802-55700	SEPARATOR ASSY,WATER	1							
7	2	129100-55690	NUT, RETAINING	1							
8	2	119802-55710	ELEMENT, FUEL	1							
9	2	119802-55730	CUP ASSY, SEPARATOR	1							
10	2	24311-000160	O-RING, 1AP16.0	1							
11	2	24321-000650	O-RING, 1AG65.0	1							
12	1	129927-77690	WASHER, ECU	3							
13	1	129A22-77800	SENSOR ASSY, ACCEL	1							
14	2	194990-22130	NUT, M6	1							
15	2	119060-61990	SPRING, RETURN	1							
16	2	129A22-77820	LEVER ASSY, ACCEL	1							
19	2	129A22-77890	SENSOR ASSY, ACCEL	1							
20	3	185100-50070	SENSOR, ACCELERATOR	1							
21	3	129054-77820	GASKET, SUPPORT	1							
22	3	129054-77830	SHAFT ASSY, SENSOR	1							
25	3	129A22-77880	SUPPORT	1							
26	3	24311-000070	O-RING, 1AP7.0	1							
27	3	26023-040202	SCREW, M4X20	2							
28	2	26106-060122	BOLT, M6X 12 PLATED	2							
29	1	129927-77920	RELAY, ISO 70A	1							
30	1	129927-77920	RELAY, ISO 70A	1							
31	1	129927-91040	HARNESS, WIRE	1							
32	1	129927-91050	HARNESS, ECU-POWER	1							

N:Old $\frac{100}{100}$ New, Q:Old $\frac{100}{100}$ New, R:Old $\frac{100}{100}$ New, S:Old $\frac{100}{100}$ New, W:Add, Z:Discontinued, F:Interchangeable by set, K:Q'ty Change
 Copyright (C) 2018 YANMAR GLOBAL CS CO., LTD. All Rights Reserved.

Parts No. Index

Parts No.	Fig. No.	Ref. No.	Parts No.	Fig. No.	Ref. No.	Parts No.	Fig. No.	Ref. No.	Parts No.	Fig. No.	Ref. No.
105010-39140	10	10	123907-03140	4	55	129693-44310	3	7	129908-33010	10	12
105425-01690	3	4	123907-11280	4	32	129795-01960	9	1	129908-33101	10	15
114250-39450	10	25	123907-11550	4	1	129900-01200	1	27	129908-49060	10	17
114250-53080	14	5	123907-11601	14	40	129900-01250	1	4	129916-01790	3	13
114250-53120	14	9	123907-11820	4	19	129900-02020	1	6	129916-01800	2	37
114250-53130	14	10	123907-11830	4	18	129900-02410	1	9	129916-21610	8	9
114250-53140	14	11	123907-39500	10	28	129900-13251	6	6	129916-49530	11	20
114250-53210	14	12	123907-59540	15	13	129900-14110	7	6	129922-03120	4	54
119060-61990	17	15	123907-59550	15	14	129900-14140	2	40	129922-11320	4	48
119131-18320	6	3	123907-59560	15	18	129900-21220	8	3	129927-02340	1	35
119225-52102	17	5	123910-49600	10	19	129900-23001	8	23	129927-02930	1	24
119305-59120	14	41	123910-49610	10	21	129900-23200	8	26	129927-02940	1	38
119309-01810	1	31	123912-33050	10	13	129900-23911	8	29	129927-11700	4	2
119578-91351	16	13	123912-33100	10	14	129900-26030	7	16	129927-13810	6	9
		22	124160-01751	2	26	129900-26250	2	41	129927-13910	6	16
		27		4	47	129900-32030	2	17	129927-13920	6	17
119593-11301	4	27	124160-11340	4	14		10	5	129927-22050	8	15
119620-11180	4	12	124160-11360	4	63	129900-32040	2	18	129927-23600	8	27
119625-11880	4	23	124465-44950	11	34	129900-42020	11	11	129927-23610	8	30
119640-61400	4	58	124722-59050	15	16	129900-42462	11	14	129927-25110	7	10
119802-11870	4	22	124766-59050	15	9	129900-49870	11	29	129927-25920	7	18
119802-51680	12	68	126650-12680	17	1	129906-51580	12	61	129927-39060	10	26
119802-51690	12	69	128610-14120	9	3	129906-77520	5	6	129927-42002	11	1
119802-55700	17	6	129005-59830	10	30	129907-01331	1	28	129927-42140	2	19
119802-55710	17	8	129006-44480	10	16	129907-03011	4	49	129927-44900	11	18
119802-55730	17	9	129008-51920	12	12	129907-03061	4	50	129927-49800	11	17
119803-11340	4	13	129008-61301	13	26	129907-03070	4	51	129927-51250	12	141
119803-53400	14	13	129054-77820	17	21	129907-11100	4	9	129927-51390	12	25
119852-51630	12	73	129054-77830	17	22	129907-11110	4	10	129927-51650	12	125
119852-51640	12	74	129100-01580	1	29	129907-11120	4	11	129927-51660	12	126
119852-51650	12	76		2	30	129907-11250	4	29	129927-51670	12	129
119860-34810	10	2		2	1	129907-11260	4	30	129927-53000	14	2
119934-55611	15	2	129100-55690	17	7	129907-11270	4	31	129927-75901	16	19
119934-59910	12	134	129150-02450	7	4	129907-11341	4	28	129927-77600	16	11
120130-22301	8	21	129150-11230	4	35	129907-11510	4	15			20
121023-26071	2	32		39		129907-11650	4	33	129927-77680	16	12
121450-42450	11	33	129150-11750	4	17	129907-11660	4	37			21
121850-21130	17	4		36		129907-11800	4	70	129927-77690	17	12
121850-21290	8	4		40		129907-11920	4	41	129927-77920	17	29
		5		40		129907-11950	4	25			30
		4	129150-14200	7	1	129907-11960	4	24	129927-91040	17	31
		5	129150-35153	10	4	129907-12110	5	2	129927-91050	17	32
121850-21920	8	6	129150-59131	14	44	129907-14400	7	2	129928-13900	6	15
121850-49540	11	21	129263-13210	6	5	129907-21650	8	10	129928-51900	12	11
121850-49550	11	23	129263-77941	12	127	129907-25900	7	15	129930-39050	10	9
121850-49811	11	24	129418-18320	6	4	129907-44740	11	16	129933-11310	4	57
121850-77021	5	5	129461-59580	15	3	129907-51560	12	58	129942-21000	8	1
123472-59120	14	45	129466-49300	10	18	129907-55801	15	5	129950-59221	15	10
123900-25060	7	9	129486-59551	15	15	129907-59140	15	12	129951-01740	2	28
123907-03100	4	52	129657-51590	12	63	129908-14590	7	3	129953-25300	7	14
123907-03110	4	53	129657-51600	12	64						

Parts No. Index

Parts No.	Fig. No.	Ref. No.
129956-01710	1	11
129956-01731	3	1
129956-01760	3	3
129956-28009	9	2
129956-28019	9	6
129956-28030	9	2 -1
129956-28040	9	6 -1
129956-28101	9	10
129956-28111	9	11
129956-28180	9	12
129956-28321	8	7
129956-28332	9	13
129956-28341	9	14
129956-32001	2	4
129956-35100	10	6
129960-21930	8	11
129960-21940	8	12
129962-01500	2	3
129963-34800	10	1
129968-01640	3	11
129968-07920	4	67
129968-12102	5	1
129968-13100	6	2
129968-13150	6	1
129968-13850	6	11
129968-22080	8	13
129968-49610	11	35
129968-49620	11	39
129968-49850	11	43
129968-75210	16	1
129972-01731	3	2
129973-07910	4	66
129973-13840	6	10
129973-55610	15	1
129973-55650	15	4
129973-59700	14	46
129973-59810	14	50
129973-59820	14	51
129973-59830	14	52
129973-59840	14	53
129980-59510	15	11
129981-59010	15	8
129A22-77800	17	13
129A22-77820	17	16
129A22-77880	17	25
129A22-77890	17	19
129E00-13650	6	7
144626-51090	12	13
158552-51571	12	59
158552-51580	12	62

Parts No.	Fig. No.	Ref. No.
158552-51670	12	130
158552-51781	12	101
158552-52100	12	132
158552-52311	12	110
158552-52400	12	111
158552-52500	12	133
158553-51670	12	67
158553-51680	12	79
158553-51930	12	104
	13	2
158553-61780	13	27
158557-51570	12	60
158557-61720	13	16
158563-51150	7	19
158563-51281	12	23
		24
158563-51330	12	35
158600-51270	12	22
158601-51550	12	57
158601-51650	12	128
158601-51770	12	100
158601-51790	12	102
171051-01921	1	5
171056-49120	10	24
172B02-17150	17	2
		3
175339-79700	4	59
185100-50070	17	20
194990-22130	17	14
22190-080002	3	8
	10	11
		31
		33
	15	19
22190-120002	11	26
	12	105
		112
		135
	13	28
22190-160002	3	6
22190-180002	12	106
22217-050000	12	136
22217-180000	12	113
22252-000300	8	22
22312-050140	12	114
22351-050010	12	115
22351-060012	1	12
22512-070140	7	7
	8	8
22857-500100	4	60

Parts No.	Fig. No.	Ref. No.
22857-500100	4	61
22877-500080	16	14
		23
23000-025000	10	22
23080-012000	11	38
		42
23414-080000	11	30
23857-030000	10	32
23875-030000	11	27
23876-005000	9	15
23876-020000	4	6
23876-030000	1	13
		14
	4	7
24311-000070	2	20
	12	116
	17	26
24311-000120	4	26
		64
24311-000160	17	10
24311-000200	9	17
24311-000320	2	27
	4	65
24321-000600	10	23
24321-000650	17	11
24321-000850	2	33
24341-000480	13	22
24351-030750	2	21
24356-190200	12	70
		117
24356-240210	12	118
24372-000150	12	71
26023-040202	17	27
26106-060102	12	119
26106-060122	4	62
	12	137
	17	28
26106-060162	13	23
26106-060202	11	28
26106-060252	13	29
26106-060302	11	12
26106-060352	12	120
26106-080122	10	34
	11	15
		31
26106-080142	7	8
	9	16
	10	7
	11	44
26106-080162	2	22

Parts No.	Fig. No.	Ref. No.
26106-080162	6	12
		13
26106-080202	2	23
		29
	4	68
		69
	10	8
	12	142
	14	54
	15	6
26106-080252	3	9
	5	7
	13	24
26106-080302	3	14
	12	143
	15	7
26106-080402	2	38
	4	43
26106-080452	2	24
		30
26106-080552	5	3
	7	13
	11	13
26106-080602	4	44
		45
	9	18
	11	32
26106-080702	2	39
26106-080752	2	31
26106-080852	3	10
	5	4
26106-080952	5	8
26106-100202	2	34
26106-100302	6	14
26106-100402	6	18
26106-101052	6	19
26216-060202	14	48
26216-100302	2	16
26226-080222	4	42
26306-080002	4	46
	6	8
26306-100002	2	25
26366-060002	14	55
26450-100452	12	121
26716-050002	12	138
26776-180002	12	122
27241-160000	12	139
27241-300000	1	10
27241-400000	4	8
27310-070001	4	20

Parts No. Index

Parts No.	Fig. No.	Ref. No.
729907-01559	2	35
729927-02800	1	32
729927-22950	8	34
729927-53100	14	1
729928-22900	8	32
729968-01560	1	1
729968-51430	12	1

Parts No.	Fig. No.	Ref. No.
-----------	----------	----------

Parts No.	Fig. No.	Ref. No.
-----------	----------	----------

Parts No.	Fig. No.	Ref. No.
-----------	----------	----------