

0CW10-M41800EN

P R E F A C E

1. This parts catalog is the 1st edition of 4TNV98-ZPLYS for Liugong.

Pub.No. : 0CW10-G41800

Published : August , 2008

2. Model name

Engine model	Vehicle	Vehicle made by
4TNV98-ZPLYS	SKID STEER LOADER	Liugong

Contents

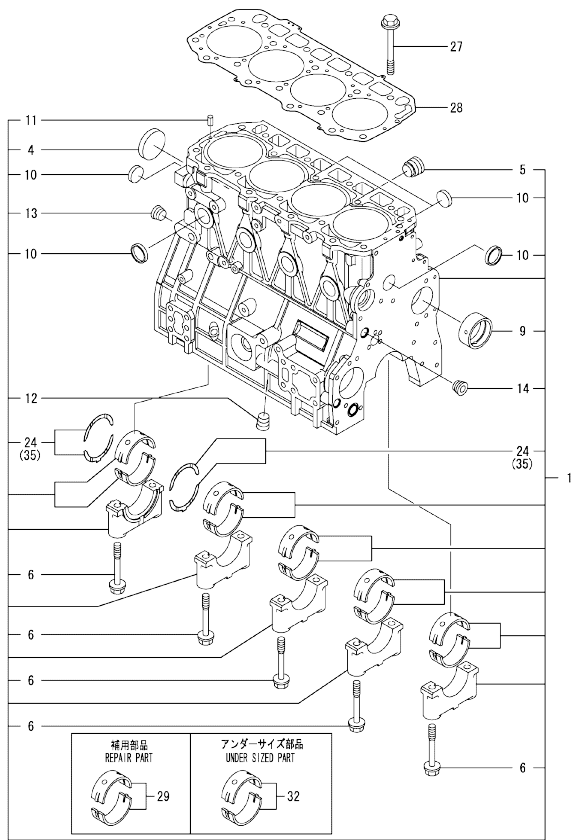
0CW10-M41800

Fig. No.	Fig. Name	Fig. No.	Fig. Name
ENGINE			
1.	CYLINDER BLOCK		
2.	GEAR HOUSING		
3.	FLYWHEEL HOUSING & OIL SUMP		
4.	CYLINDER HEAD & BONNET		
5.	SUCTION MANIFOLD & AIR CLEANER		
6.	EXHAUST MANIFOLD & SILENCER		
7.	CAMSHAFT & DRIVING GEAR		
8.	CRANKSHAFT & PISTON		
9.	LUB. OIL SYSTEM		
10.	COOLING WATER SYSTEM		
11.	FUEL INJECTION PUMP		
12.	GOVERNOR		
13.	FUEL INJECTION VALVE		
14.	FUEL PIPING		
15.	STARTER MOTOR		
16.	GENERATOR		
17.	ELECTRONIC CONTROL UNIT(ECU)		
18.	GASKET SET		
19.	BUNDLED ITEMS		

Fig.1. CYLINDER BLOCK

(A)=4TNV98-ZPLYS
(B)=
(C)=

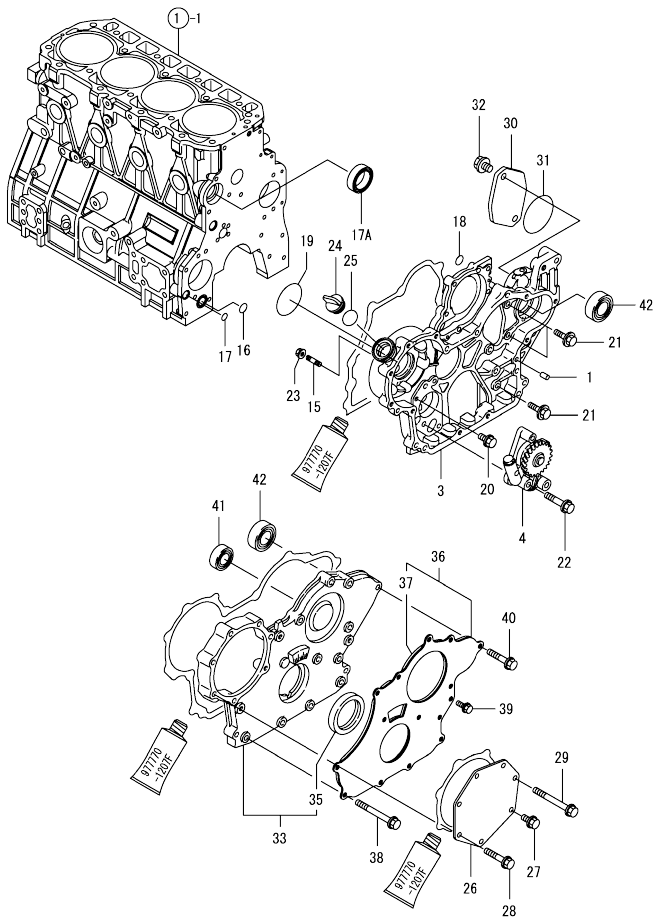
(D)=
(E)=
(F)=



No.	Lev.	Parts No.	Description	Q'ty						I	R
				(A)	(B)	(C)	(D)	(E)	(F)		
1	1	729927-01560	BLOCK ASSY, CYLINDER	1							
4	2	129900-01250	PLUG, DISH TYPE 55	1							
5	2	171051-01921	PLUG, NPTF1	1							
6	2	129900-02020	BOLT, METAL CAP	10							
9	2	129900-02410	BUSH, CAMSHAFT	1							
10	2	27241-300000	PLUG 30	8							
11	2	22351-060012	PIN, SPRING 6.0X12	2							
12	2	23876-030000	PLUG, R03	1							
13	2	23876-030000	PLUG, R03	1							
14	2	23876-030000	PLUG, R03	1							
24	2	129900-02931	BEARING ASSY, THRUST	2							
27	1	129900-01200	BOLT, CYLINDER HEAD	18							
28	1	129907-01331	GASKET, HEAD	1							
29	1	729900-02801	BEARING, MAIN	5							1
32	1	129900-02341	BEARING ASSY, MAIN	5							2
35	1	129900-02941	BEARING, THRUST 0.25	2							3

Remarks
 (1)Repair parts.
 (2)Under-sized(U.S.=0.25) parts.
 (3)Over-sized(O.S.=0.25) parts.

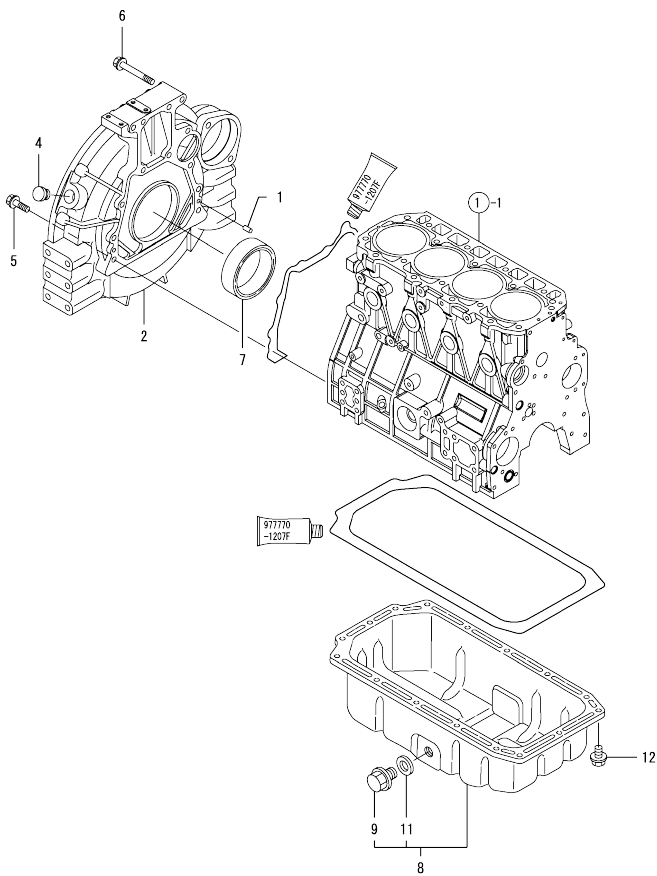
Fig.2. GEAR HOUSING



No.	Lev.	Parts No.	Description	Q'ty						I	R
				(A)	(B)	(C)	(D)	(E)	(F)		
1	1	129100-01580	PIN, PARALLEL 8X16	4							
3	1	129939-01510	CASE, GEAR	1							
4	1	129900-32001	PUMP ASSY, OIL	1							
15	1	26216-100302	STUD, M10X 30	4							
16	1	129900-32030	O-RING, P20	1							
17	1	129900-32040	O-RING, P14	1							
17A	1	129927-42140	GASKET, PUMP OUTLET	1							W
(A=2014.09)											
18	1	24311-000070	O-RING, 1AP7.0	1							
19	1	24351-030750	O-RING, 1A3075	1							
20	1	26106-080162	BOLT, M8X 16 PLATED	1							
21	1	26106-080202	BOLT, M8X 20 PLATED	3							
22	1	26106-080452	BOLT, M8X 45 PLATED	3							
23	1	26306-100002	NUT, M10	4							
24	1	124160-01751	CAP, FILLER	1							
25	1	24311-000320	O-RING, 1AP32.0	1							
26	1	129951-01740	COVER	1							
27	1	26106-080202	BOLT, M8X 20 PLATED	1							
28	1	26106-080452	BOLT, M8X 45 PLATED	5							
29	1	26106-080752	BOLT, M8X 75 PLATED	1							
30	1	121023-26070	COVER, PUMP	1							
31	1	24321-000850	O-RING, 1AG85.0	1							
32	1	26106-100202	BOLT, M10X 20 PLATED	2							
33	1	729907-01559	COVER ASSY, GEAR CASE	1							
35	2	129916-01800	SEAL, OIL	1							
36	1	129900-01850	COVER ASSY, GEAR CASE	1							
37	2	129900-01870	SPONGE, GEAR CASE	1							
38	1	129001-91810	BOLT, M8X70	6							
39	1	26106-080162	BOLT, M8X 16 PLATED	3							
40	1	26106-080402	BOLT, M8X 40 PLATED	5							
41	1	129900-14140	BEARING, BALL 6205	1							
42	1	129900-26250	BEARING, BALL 6206C3	2							

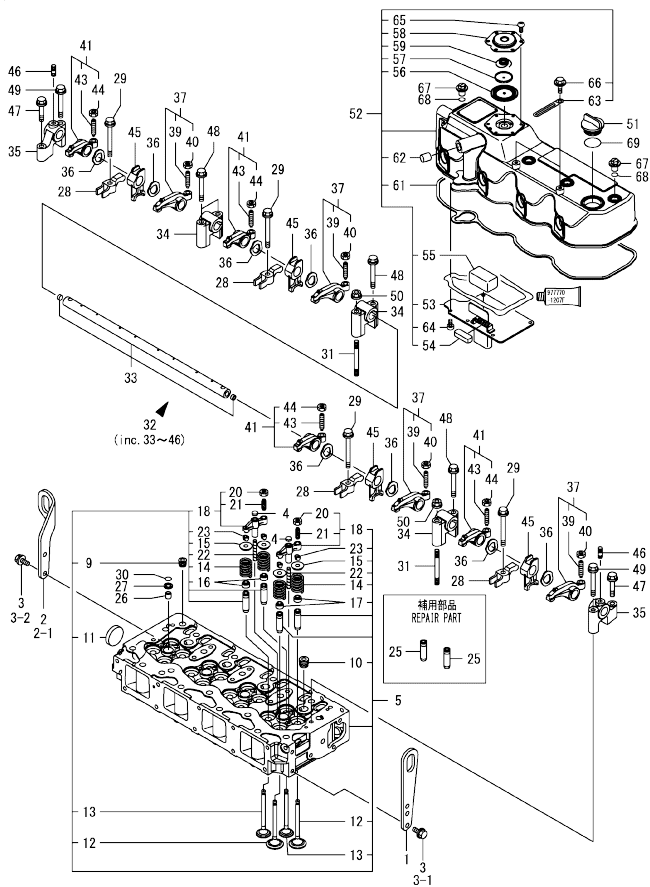
N:Old $\frac{100}{100}$ New, Q:Old $\frac{100}{100}$ New, R:Old $\frac{100}{100}$ New, S:Old $\frac{100}{100}$ New, W:Add, Z:Discontinued, F:Interchangeable by set, K:Q'ty Change
 Copyright (C) YANMAR GLOBAL CS CO., LTD. All Rights Reserved.

Fig.3. FLYWHEEL HOUSING & OIL SUMP



No.	Lev.	Parts No.	Description	Q'ty						I	R	
				(A)	(B)	(C)	(D)	(E)	(F)			
1	1	129100-01580	PIN, PARALLEL 8X16		2							
2	1	129900-01620	HOUSING, FLYWHEEL		1							
4	1	119620-01750	CAP		1							
5	1	26206-100352	BOLT, M10X 35 PLATED		9							
6	1	26206-100702	BOLT, M10X 70 PLATED		4							
7	1	129916-01790	SEAL, D115/95XT11		1							
8	1	129902-01710	OIL PAN ASSY		1							
9	2	119640-01640	PLUG, DRAIN M22		1							
11	2	22190-220002	WASHER, SEAL 22		1							
12	1	26106-080122	BOLT, M8X 12 PLATED		16							

Fig.4. CYLINDER HEAD & BONNET



(A)=4TNV98-ZPLYS
(B)=
(C)=

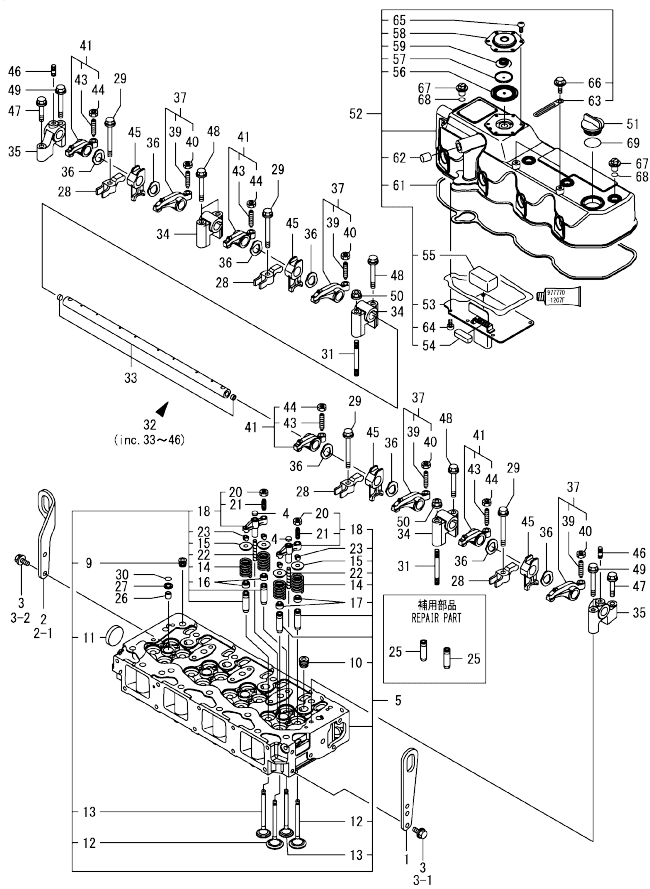
(D)=
(E)=
(F)=

No.	Lev.	Parts No.	Description	Q'ty						I	R
				(A)	(B)	(C)	(D)	(E)	(F)		
1	1	129900-07900	LIFTER, ENGINE	1							
2	1	129910-07900	LIFTER, ENGINE	1							
2-1	1	129944-07900	LIFTER, ENGINE	1							N
(A=EZZZZZ)											
3	1	26106-080162	BOLT, M8X 16 PLATED	4							
3-1	1	26106-080162	BOLT, M8X 16 PLATED	2							K
(A=EZZZZZ)											
3-2	1	26106-080182	BOLT, M8X 18 PLATED	2							W
(A=EZZZZZ)											
4	1	123907-11550	SEAT, VALVE BRIDGE	8							
5	1	129927-11700	HEAD ASSY, CYLINDER	1							
9	2	23876-020000	PLUG, R02	1							
10	2	23876-030000	PLUG, R03	4							
11	2	27241-400000	PLUG, 40	1							
12	2	129907-11100	VALVE, SUCTION	8							
13	2	129907-11110	VALVE, EXHAUST	8							
14	2	129907-11120	SPRING, VALVE	16							
15	2	119620-11180	RETAINER, SPRING	16							
16	2	119803-11340	SEAL, VALVE STEM	8							
17	2	124160-11340	SEAL, VALVE STEM	8							
18	2	129907-11510	BRIDGE ASSY, VALVE	8							
20	3	129150-11750	NUT, M8	8							
21	3	123907-11830	ADJUSTER	8							
22	2	123907-11820	GUIDE, BRIDGE	8							
23	2	27310-070001	COTTER, 7	16							
25	1	129907-11800	GUIDE, VALVE	16							1
26	1	119802-11870	PROTECTOR, NOZZLE	4							
27	1	119625-11880	SEAT, NOZZLE	4							
28	1	129907-11910	RETAINER, NOZZLE	4							
29	1	129907-11950	BOLT, M8X75	4							
30	1	24311-000120	O-RING, 1AP12.0	4							
31	1	119593-11301	BOLT, STUD M8X80	2							
32	1	129907-11341	SHAFT ASSY, ROCKER	1							
33	2	129907-11250	SHAFT, ROCKER ARM	1							
34	2	129907-11260	SUPPORT, ROCKER ARM	3							
35	2	129907-11270	SUPPORT, ROCKER ARM	2							
36	2	123907-11280	WASHER	8							
37	2	129907-11650	ARM ASSY, ROCKER	4							
39	3	129150-11230	SCREW, VALVE ADJUST	4							
40	3	129150-11750	NUT, M8	4							
41	2	129907-11660	ARM ASSY, ROCKER	4							
43	3	129150-11230	SCREW, VALVE ADJUST	4							
44	3	129150-11750	NUT, M8	4							
45	2	129907-11920	RETAINER, NOZZLE	4							
46	2	26226-080222	STUD, M8X 22	2							
47	1	26106-080402	BOLT, M8X 40 PLATED	2							
48	1	26106-080602	BOLT, M8X 60 PLATED	4							
49	1	26106-080602	BOLT, M8X 60 PLATED	2							
50	1	26306-080002	NUT, M8	2							
51	1	124160-01751	CAP, FILLER	1							
52	1	129927-11320	BONNET ASSY, HEAD	1							

Remarks
(1)Repair parts.

N:Old $\frac{100}{100}$ New, Q:Old $\frac{100}{100}$ New, R:Old $\frac{100}{100}$ New, S:Old $\frac{100}{100}$ New, W:Add, Z:Discontinued, F:Interchangeable by set, K:Q'ty Change
 ++ CONTINUE ++
 Copyright (C) YANMAR GLOBAL CS CO., LTD. All Rights Reserved.

Fig.4. CYLINDER HEAD & BONNET



(A)=4TNV98-ZPLYS
(B)=
(C)=

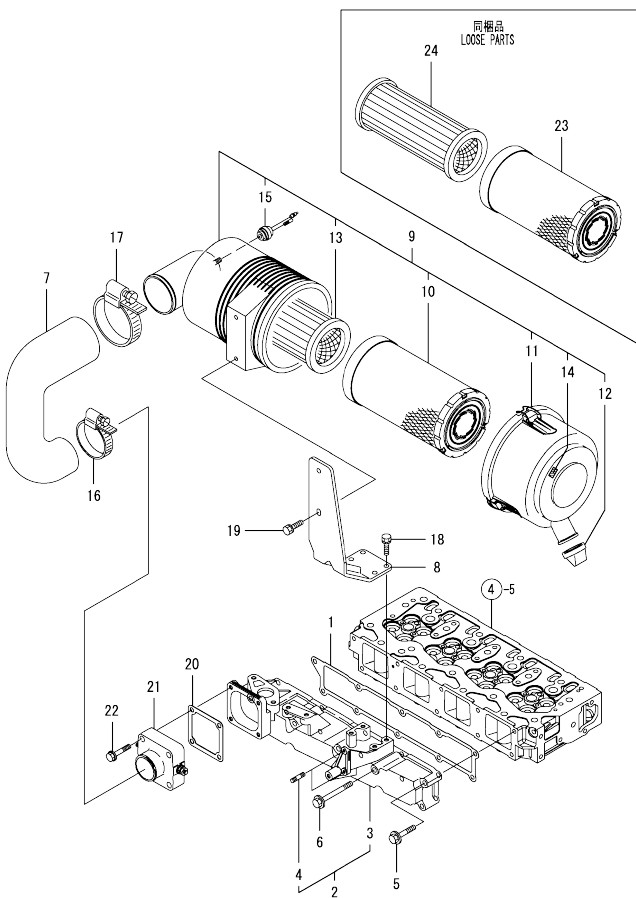
(D)=
(E)=
(F)=

No.	Lev.	Parts No.	Description	Qty						I	R
				(A)	(B)	(C)	(D)	(E)	(F)		
53	2	129907-03011	PLATE, BAFFLE	1							
54	2	129907-03061	BAFFLE, BREATHER	1							
55	2	129907-03070	BAFFLE, BREATHER	1							
56	2	123907-03100	DIAPHRAGM	1							
57	2	123907-03110	PLATE	1							
58	2	123907-03120	PLATE, BREATHER	1							
59	2	123907-03140	SPRING, DIAPHRAGM	1							
61	2	129933-11310	GASKET, BONNET	1							
62	2	119640-61400	PLUG	1							
63	2	175339-79700	CLIP	2							
64	2	22857-500100	SCREW, 5X10	6							
65	2	22857-500100	SCREW, 5X10	6							
66	2	26106-060122	BOLT, M6X 12 PLATED	2							
67	1	124160-11360	KNOB	4							
68	1	24311-000120	O-RING, 1AP12.0	4							
69	1	24311-000320	O-RING, 1AP32.0	1							

Remarks
(1)Repair parts.

N:Old $\frac{100}{100}$ New, Q:Old $\frac{100}{100}$ New, R:Old $\frac{100}{100}$ New, S:Old $\frac{100}{100}$ New, W:Add, Z:Discontinued, F:Interchangeable by set, K:Qty Change
Copyright (C) YANMAR GLOBAL CS CO., LTD. All Rights Reserved.

Fig.5. SUCTION MANIFOLD & AIR CLEANER

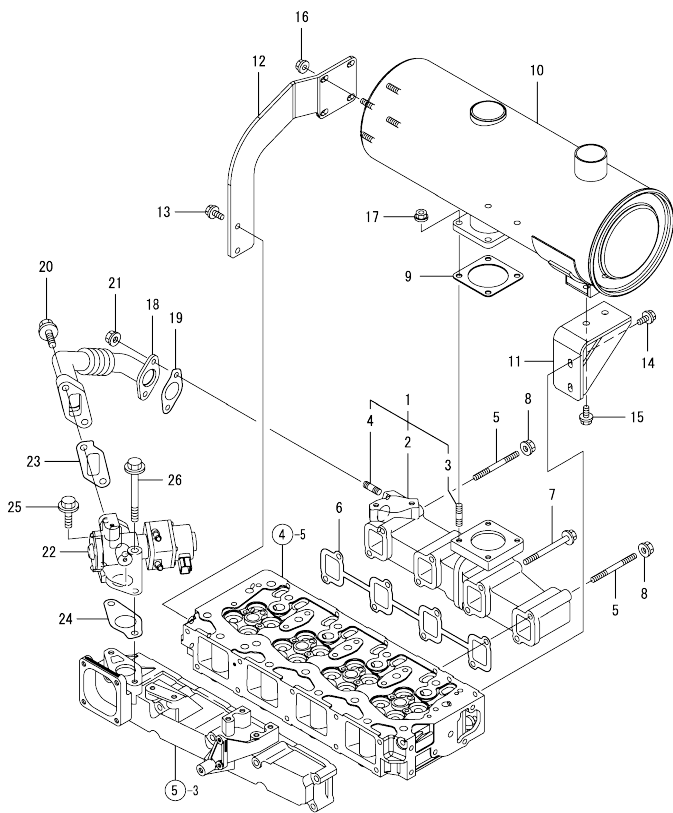


(A)=4TNV98-ZPLYS
(B)=
(C)=

(D)=
(E)=
(F)=

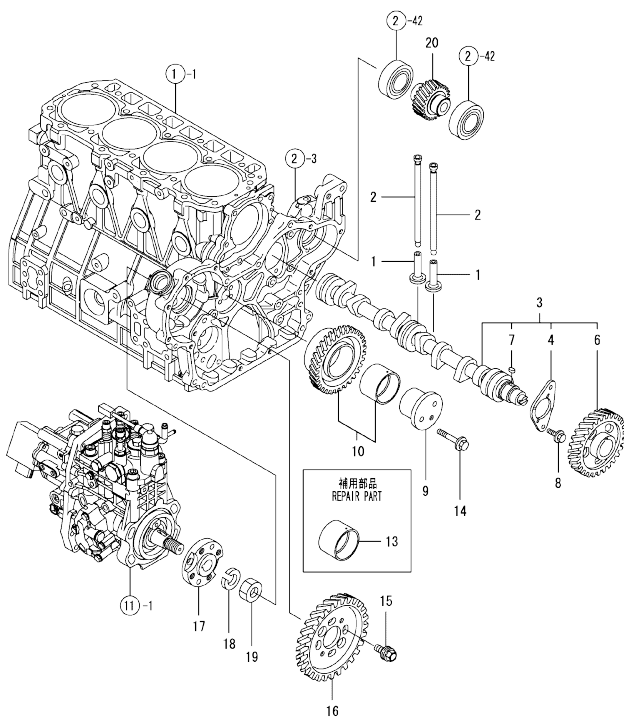
No.	Lev.	Parts No.	Description	Q'ty						I	R
				(A)	(B)	(C)	(D)	(E)	(F)		
1	1	129907-12110	GASKET, MANIFOLD	1							
2	1	129927-12150	MANIFOLD ASSY,INTAKE	1							
3	2	129927-12100	MANIFOLD, AIR INTAKE	1							
4	2	26216-060202	STUD, M6X 20	2							
5	1	26106-080452	BOLT, M8X 45 PLATED	6							
6	1	26106-080802	BOLT, M8X 80 PLATED	4							
7	1	129939-12070	HOSE, AIR INTAKE	1							
8	1	129927-12560	BRACKET, CLEANER	1							
9	1	129939-12570	AIR CLEANER ASSY	1							
10	2	129935-12520	ELEMENT, OUTER	1							
11	2	119160-12530	COVER ASSY	1							
12	2	119160-12540	VALVE	1							
13	2	119160-12570	ELEMENT, INNER	1							
14	2	129612-12650	LABEL, MARKING	1							
15	2	119140-12680	INDICATOR, CLEANER	1							
16	1	23000-080000	CLAMP, 80	1							
17	1	23000-090000	CLAMP, 90	1							
18	1	26013-080222	BOLT, SPRING M8X 22	4							
19	1	26013-080222	BOLT, SPRING M8X 22	2							
20	1	121850-77021	GASKET, AIR HEATER	1							
21	1	129915-77051	HEATER, AIR 12V	1							
22	1	26106-080352	BOLT, M8X 35 PLATED	4							
23	1	129935-12520	ELEMENT, OUTER	1							
24	1	119160-12570	ELEMENT, INNER	1							

Fig.6. EXHAUST MANIFOLD & SILENCER



No.	Lev.	Parts No.	Description	Q'ty						I	R
				(A)	(B)	(C)	(D)	(E)	(F)		
1	1	129927-13150	MANIFOLD ASSY, EXH.	1							
2	2	129927-13100	MANIFOLD, EXHAUST	1							
3	2	119131-18320	BOLT, STUD M8X22	4							
4	2	129418-18320	BOLT, STUD M8X20	2							
5	1	129263-13210	BOLT, STUD M8X90	2							
6	1	129900-13251	GASKET, EXH.MANIFOLD	1							
7	1	119802-13680	BOLT, M8X90 10.9T	6							
8	1	26306-080002	NUT, M8	2							
9	1	129400-13201	GASKET, SILENCER	1							
10	1	129944-13510	SILENCER	1							
11	1	129908-13650	STAY, SILENCER	1							
12	1	129944-13650	STAY, SILENCER	1							
13	1	26106-080162	BOLT, M8X 16 PLATED	2							
14	1	26106-080162	BOLT, M8X 16 PLATED	2							
15	1	26106-080202	BOLT, M8X 20 PLATED	2							
16	1	26306-080002	NUT, M8	4							
17	1	26306-080002	NUT, M8	4							
18	1	129927-13800	PIPE ASSY, EGR	1							
19	1	129927-13810	GASKET	1							
20	1	26106-100302	BOLT, M10X 30 PLATED	2							
21	1	26306-080002	NUT, M8	2							
22	1	129927-13900	VALVE, EGR	1							
23	1	129927-13910	GASKET, EGR	1							
24	1	129927-13920	GASKET, EGR	1							
25	1	26106-100302	BOLT, M10X 30 PLATED	1							
26	1	26106-100952	BOLT, M10X 95 PLATED	1							

Fig.7. CAMSHAFT & DRIVING GEAR



(A)=4TNV98-ZPLYS
(B)=
(C)=

(D)=
(E)=
(F)=

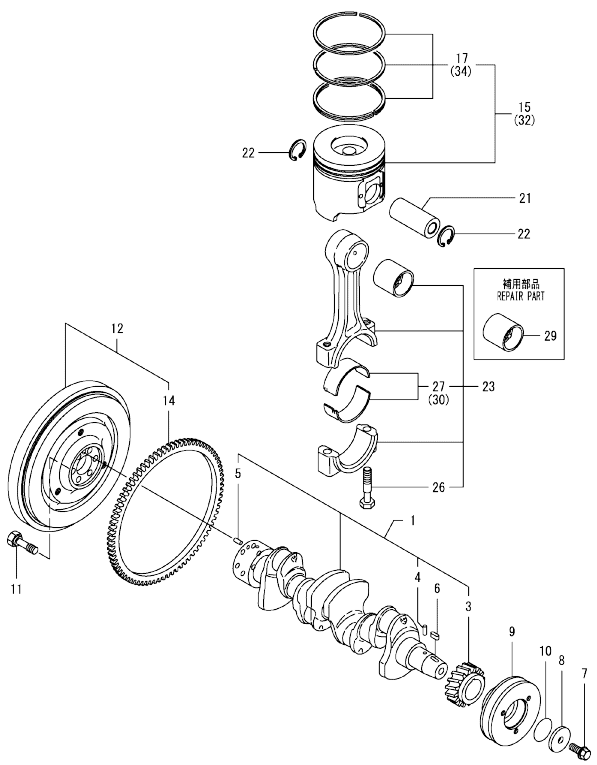
No.	Lev.	Parts No.	Description	Q'ty						I	R
				(A)	(B)	(C)	(D)	(E)	(F)		
1	1	129150-14200	TAPPET	8							
2	1	129907-14400	PUSH-ROD	8							
3	1	129908-14590	CAMSHAFT ASSY	1							
4	2	129150-02450	BEARING, THRUST	1							
6	2	129900-14110	GEAR, CAMSHAFT	1							
7	2	22512-070140	KEY, 7X 14	1							
8	1	26106-080162	BOLT, M8X 16 PLATED	2							
9	1	123900-25060	SHAFT, IDLE GEAR	1							
10	1	129900-25110	GEAR ASSY, IDLE	1							
13	1	129150-25920	BUSH, IDLE GEAR	1							1
14	1	26106-080552	BOLT, M8X 55 PLATED	3							
15	1	129953-25300	BOLT	4							
16	1	129907-25900	GEAR, PUMP	1							
17	1	158563-51150	FLANGE	1							
18	1	22217-180000	WASHER, SPRING 18	1							
19	1	26776-180002	NUT, LOCK M18	1							
20	1	129939-26010	GEAR ASSY, PUMP	1							
20-1	1	129900-26030	GEAR ASSY, PUMP	1							N

(A=2009.03.)

Remarks
(1)Repair parts.

N:Old $\frac{100}{100}$ New, Q:Old $\frac{100}{100}$ New, R:Old $\frac{100}{100}$ New, S:Old $\frac{100}{100}$ New, W:Add, Z:Discontinued, F:Interchangeable by set, K:Q'ty Change
Copyright (C) YANMAR GLOBAL CS CO., LTD. All Rights Reserved.

Fig.8. CRANKSHAFT & PISTON



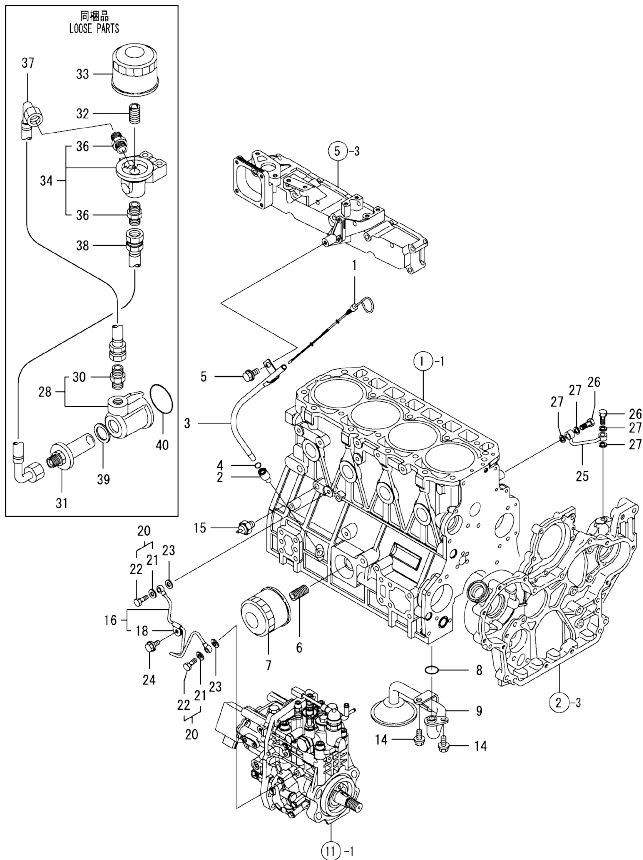
(A)=4TNV98-ZPLYS
(B)=
(C)=

(D)=
(E)=
(F)=

No.	Lev.	Parts No.	Description	Q'ty						I	R
				(A)	(B)	(C)	(D)	(E)	(F)		
1	1	129902-21050	CRANKSHAFT ASSY	1							
3	2	129900-21220	GEAR, CRANKSHAFT	1							
4	2	121850-21290	PIN	1							
5	2	121850-21920	PIN, PARALLEL 10X22	1							
6	1	22512-070140	KEY, 7X 14	1							
7	1	129916-21610	BOLT	1							
8	1	129960-21640	WASHER	1							
9	1	129944-21650	V-PULLEY, CRANK 130B	1							
10	1	24341-000530	O-RING, 1AS53.0	1							
11	1	121850-21130	BOLT, FLYWHEEL	6							
12	1	129953-21570	FLYWHEEL ASSY	1							
14	2	129900-21600	GEAR, RING	1							
15	1	129927-22080	PISTON ASSY	4							
17	2	129927-22050	RING SET, PISTON	4							
21	1	120130-22301	PIN, PISTON	4							
22	1	22252-000300	RING, 30	8							
23	1	129900-23001	ROD ASSY, CONNECTING	4							
26	2	129900-23200	BOLT, CONNECTING ROD	8							
27	2	129900-23601	BEARING, CRANK PIN	4							
29	1	129900-23911	BEARING, PISTON PIN	4							1
30	1	129900-23611	BEARING ASSY, 0.25US	4							2
32	1	729927-22900	PISTON ASSY, 0.25 OS	4							3
34	2	729927-22950	RING SET, 0.25 OS	4							3

Remarks
(1)Repair parts.
(2)Under-sized(U.S.=0.25) parts.
(3)Over-sized(O.S.=0.25) parts.

Fig.9. LUB. OIL SYSTEM



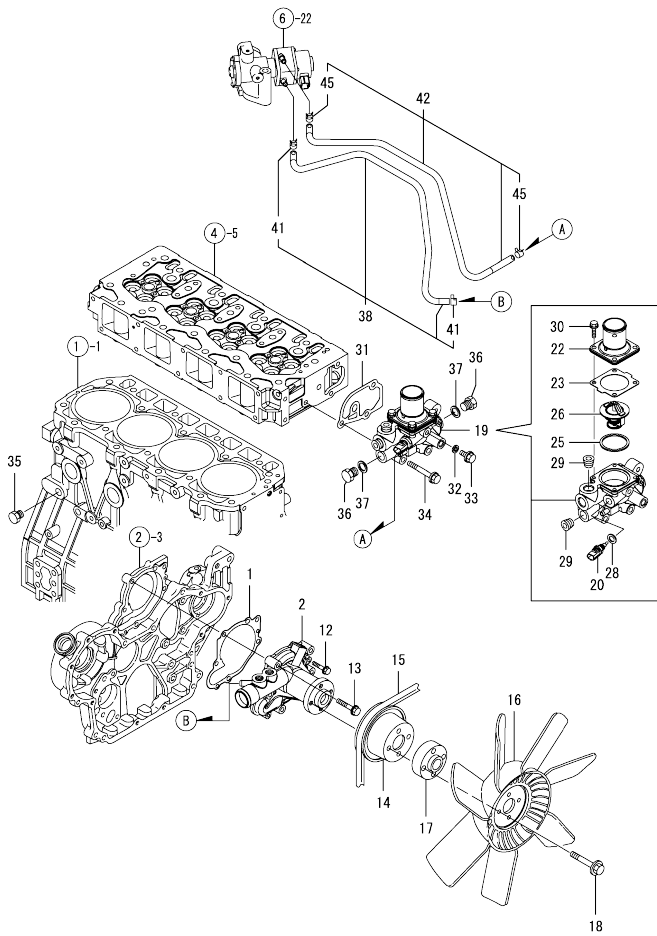
(A)=4TNV98-ZPLYS
(B)=
(C)=

(D)=
(E)=
(F)=

No.	Lev.	Parts No.	Description	Qty						I	R
				(A)	(B)	(C)	(D)	(E)	(F)		
1	1	129951-34801	DIPSTICK	1							
2	1	119260-34810	GUIDE, DIPSTICK	1							
3	1	129928-34850	GUIDE, DIPSTICK	1							
4	1	24311-240100	O-RING, 1AP10A	1							
5	1	26106-080162	BOLT, M8X 16 PLATED	1							
6	1	119000-35140	BOLT, STUD FILTER	1							
7	1	129150-35153	FILTER ASSY, D80X80L	1							1
8	1	129900-32030	O-RING, P20	1							
9	1	129900-35000	PIPE ASSY, OIL INLET	1							
14	1	26106-080122	BOLT, M8X 12 PLATED	2							
15	1	119761-39450	SWITCH, HYDRAULIC	1							
16	1	129927-39060	PIPE ASSY, OIL	1							
18	2	123907-39500	RETAINER, PIPE	1							
20	1	129005-59830	BOLT ASSY, JOINT M8	2							
21	2	22190-080002	WASHER, SEAL 6	2							
22	2	23857-030000	BOLT, JOINT 3	2							
23	1	22190-080002	WASHER, SEAL 6	2							
24	1	26106-080122	BOLT, M8X 12 PLATED	1							
25	1	129930-39050	PIPE, OIL	1							
26	1	105010-39140	BOLT, PIPE JOINT	2							
27	1	22190-080002	WASHER, SEAL 6	4							
28	1	129944-35110	CASE ASSY	1							
30	2	129953-39500	ADAPTER, R-G1/2	1							
31	1	129939-35130	RETAINER, CASE	1							
32	1	119000-35140	BOLT, STUD FILTER	1							
33	1	129150-35153	FILTER ASSY, D80X80L	1							1
34	1	129944-35210	BRACKET ASSY	1							
36	2	129953-39500	ADAPTER, R-G1/2	2							
37	1	129944-39101	PIPE, OIL	1							
38	1	129953-39101	HOSE ASSY, OIL	1							
39	1	22190-300002	WASHER, SEAL 30	1							
40	1	24321-000600	O-RING, 1AG60.0	1							

Remarks
(1)Repair parts.

Fig.10. COOLING WATER SYSTEM

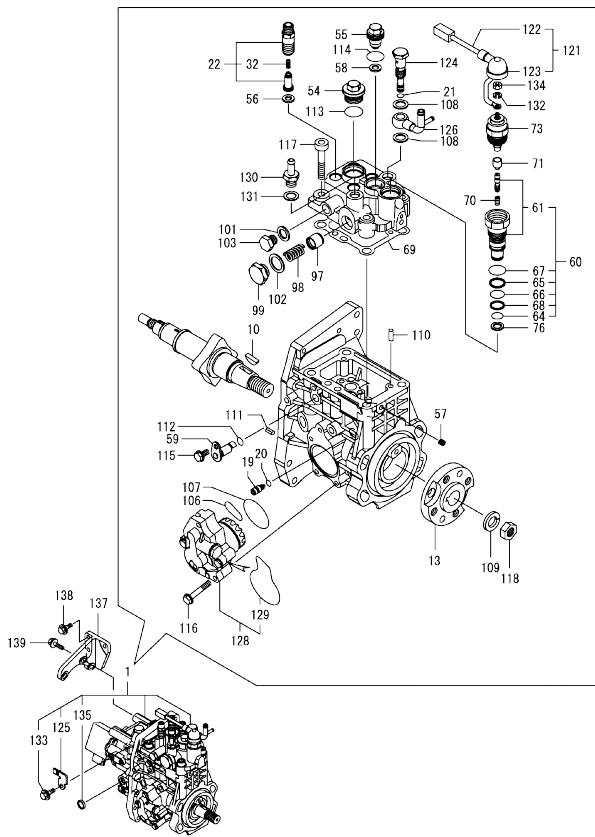


(A)=4TNV98-ZPLYS
(B)=
(C)=

(D)=
(E)=
(F)=

No.	Lev.	Parts No.	Description	Qty						I	R
				(A)	(B)	(C)	(D)	(E)	(F)		
1	1	129900-42020	GASKET, WATER PUMP	1							
2	1	129948-42100	PUMP ASSY, WATER	1							
12	1	26106-060302	BOLT, M6X 30 PLATED	2							
13	1	26106-080552	BOLT, M8X 55 PLATED	5							
14	1	123900-42470	V-PULLEY, C.W.PUMP	1							
15	1	129948-42240	V-BELT, B43.0	1							
16	1	123900-44740	FAN, COOLING D500	1							
17	1	123900-44761	SPACER, FAN	1							
18	1	26106-100452	BOLT, M10X 45 PLATED	4							
19	1	129927-49800	CASE ASSY,THERMOSTAT	1							
20	2	129927-44900	SENSOR, WATER TEMP.	1							
22	2	129916-49530	COVER, THERMOSTAT	1							
23	2	121850-49540	GASKET, THERMOSTAT	1							
25	2	121850-49550	GASKET, THERMOSTAT	1							
26	2	121850-49810	THERMOSTAT, 71C	1							
28	2	22190-120002	WASHER, SEAL 12	1							
29	2	23875-030000	PLUG, R03	2							
30	2	26106-060202	BOLT, M6X 20 PLATED	4							
31	1	129900-49870	GASKET, THERMOSTAT	1							
32	1	23414-080000	GASKET, 8X1.0	1							
33	1	26106-080122	BOLT, M8X 12 PLATED	1							
34	1	26106-080602	BOLT, M8X 60 PLATED	3							
35	1	171056-49120	PLUG, DRAIN R1/4	1							
36	1	121450-42450	PLUG, M16	2							
37	1	124465-44950	GASKET, 16	2							
38	1	129927-49610	HOSE ASSY, WATER	1							
41	2	23080-012000	CLAMP, 12	2							
42	1	129927-49620	HOSE ASSY, WATER	1							
45	2	23080-012000	CLAMP, 12	2							

Fig.11. FUEL INJECTION PUMP



(A)=4TNV98-ZPLYS
(B)=
(C)=

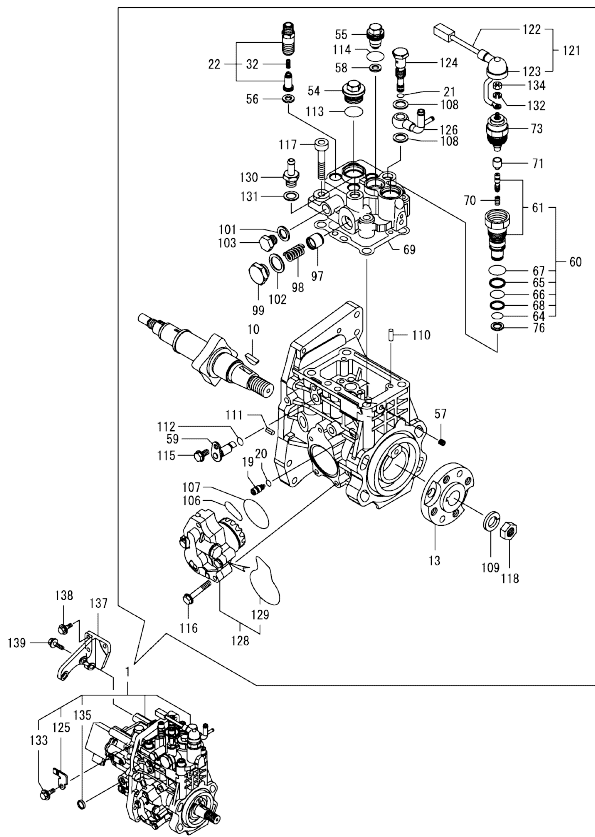
(D)=
(E)=
(F)=

No.	Lev.	Parts No.	Description	Q'ty						I	R
				(A)	(B)	(C)	(D)	(E)	(F)		
1	1	729939-51360	FIE ASSY	1							1
10	2	144626-51090	FEATHER KEY, 5X19	1							
13	2	158563-51150	FLANGE	1							
19	2	158600-51270	STOPPER, TAPPET	1							
20	2	158563-51281	O-RING, 4D S6	1							
21	2	158563-51281	O-RING, 4D S6	1							
22	2	129927-51390	VALVE ASSY, DELIVERY	4							
32	3	158563-51330	SPRING, DELIVERY	4							
54	2	158601-51550	PLUG, M22	1							
55	2	129907-51560	PLUG, M16	1							
56	2	158552-51571	GASKET, PLUG	4							
57	2	158557-51570	PLUG, RACK	1							
58	2	129906-51580	GASKET, PLUG	1							
59	2	158552-51580	LIFTER, LINK	1							
60	2	129657-51590	TIMER ASSY	1							
61	3	129657-51600	TIMER ASSY	1							
64	3	158553-51670	O-RING	1							
65	3	119802-51680	RING, BACKUP	1							
66	3	119802-51690	O-RING	1							
67	3	24356-010200	O-RING, 4D1020	1							
68	3	24372-000150	RING, BACK UP T2P15	1							
69	2	158560-51600	GASKET	1							
70	2	119852-51630	SPRING, TIMER	1							
71	2	119852-51640	CAP, TIMER	1							
73	2	119852-51650	VALVE ASSY, SOLENOID	1							
76	2	158553-51680	GASKET, TIMER	1							
97	2	158601-51770	PISTON, ACCUMULATOR	1							
98	2	158552-51781	SPRING, ACCUMULATOR	1							
99	2	158601-51790	PLUG	1							
101	2	22190-120002	WASHER, SEAL 12	1							
102	2	22190-180002	WASHER, SEAL 18	1							
103	2	23887-120002	PLUG, 12	1							
106	2	158552-52310	O-RING	1							
107	2	158552-52400	O-RING, 4E S42	1							
108	2	22190-120002	WASHER, SEAL 12	2							
109	2	22217-180000	WASHER, SPRING 18	1							
110	2	22312-050140	PIN, PARALLEL M5X14	2							
111	2	22351-050010	PIN, SPRING 5.0X10	2							
112	2	24311-000070	O-RING, 1AP7.0	1							
113	2	24356-010200	O-RING, 4D1020	1							
114	2	24356-020210	O-RING, 4D2021	1							
115	2	26106-060102	BOLT, M6X 10 PLATED	1							
116	2	26106-060352	BOLT, M6X 35 PLATED	4							
117	2	26450-100452	BOLT, M10X 45	4							
118	2	26776-180002	NUT, LOCK M18	1							
121	2	129927-51650	HARNES ASSY, WIRE	1							
122	3	129927-51660	HARNES	1							
123	3	129263-77941	CAP, RUBBER	1							
124	2	158601-51650	JOINT, OVER FLOW	1							
125	2	129927-51670	BRACKET	1							
126	2	158552-51670	JOINT, OVER FLOW	1							

Remarks
(1)Governor(Fig.12) is incorporated in this Fuel Injection Pump(No.1).
* Eco pump
Make sure to update the engines ECU information when replacing the Eco pump.
Failing to do so will result in engine malfunction.

N:Old $\frac{New}{Old}$ New, Q:Old $\frac{New}{Old}$ New, R:Old $\frac{New}{Old}$ New, S:Old $\frac{New}{Old}$ New, W:Add, Z:Discontinued, F:Interchangeable by set, K:Q'ty Change
++ CONTINUE ++
Copyright (C) YANMAR GLOBAL CS CO., LTD. All Rights Reserved.

Fig.11. FUEL INJECTION PUMP



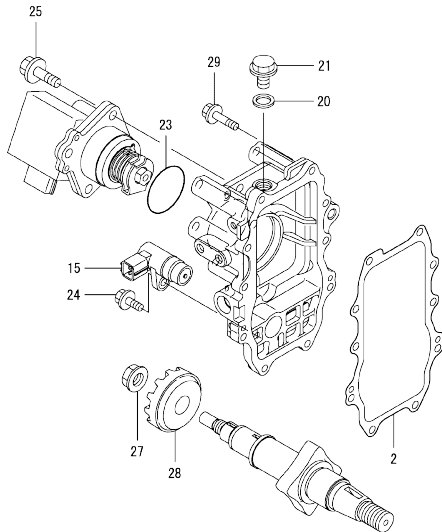
No.	Lev.	Parts No.	Description	Q'ty					
				(A)	(B)	(C)	(D)	(E)	(F)
128	2	158552-52100	PUMP ASSY, FUEL FEED	1					
129	3	158552-52500	O-RING	1					
130	2	119934-59910	JOINT, PIPE	1					
131	2	22190-120002	WASHER, SEAL 12	1					
132	2	22217-050000	WASHER, SPRING 5	1					
133	2	26106-060122	BOLT, M6X 12 PLATED	1					
134	2	26716-050002	NUT, M5	1					
135	2	27241-160000	PLUG, 16	1					
137	1	129927-51250	RETAINER, PUMP	1					
138	1	26106-080202	BOLT, M8X 20 PLATED	3					
139	1	26106-080302	BOLT, M8X 30 PLATED	3					

Remarks

(1)Governor(Fig.12) is incorporated in this Fuel Injection Pump(No.1).
 * Eco pump
 Make sure to update the engines ECU information when replacing the Eco pump.
 Failing to do so will result in engine malfunction.

0CW10-M41800 ENGINE
 Fig.12. GOVERNOR

0CW10-M41800 Fig.12



(A)=4TNV98-ZPLYS
 (B)=
 (C)=

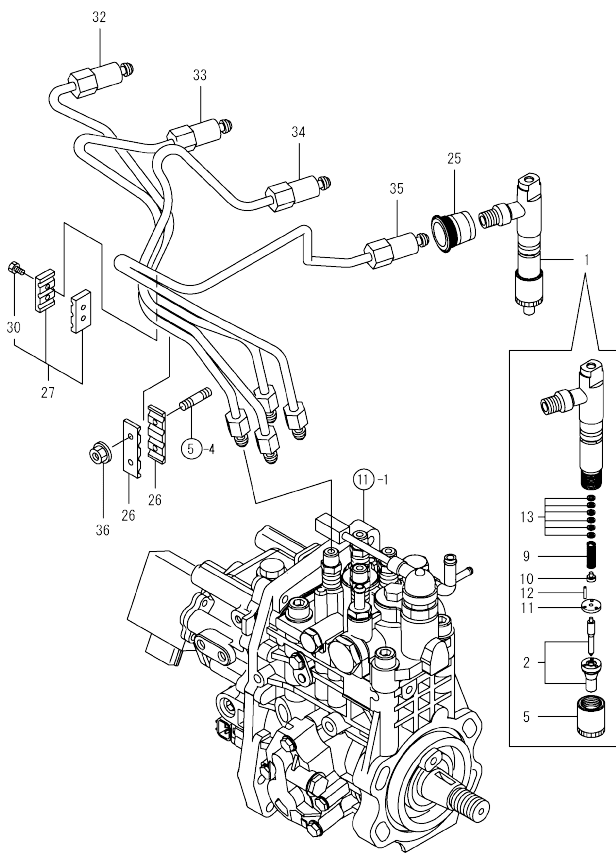
(D)=
 (E)=
 (F)=

No.	Lev.	Parts No.	Description	Q'ty					
				(A)	(B)	(C)	(D)	(E)	(F)
2	2	158560-61050	GASKET	1					
15	2	158557-61720	SENSOR	1					
20	2	23414-120000	GASKET, 12X1.0	1					
21	2	23887-120002	PLUG, 12	1					
23	2	24341-000480	O-RING, 1AS48.0	1					
24	2	26106-060162	BOLT, M6X 16 PLATED	1					
25	2	26106-080252	BOLT, M8X 25 PLATED	3					
27	2	129008-61301	NUT	1					
28	2	158553-61780	GEAR, SENSOR	1					
29	2	26106-060252	BOLT, M6X 25 PLATED	10					

Remarks
 * This figure(Governor) is incorporated in the Fuel Injection Pump(Fig.11).

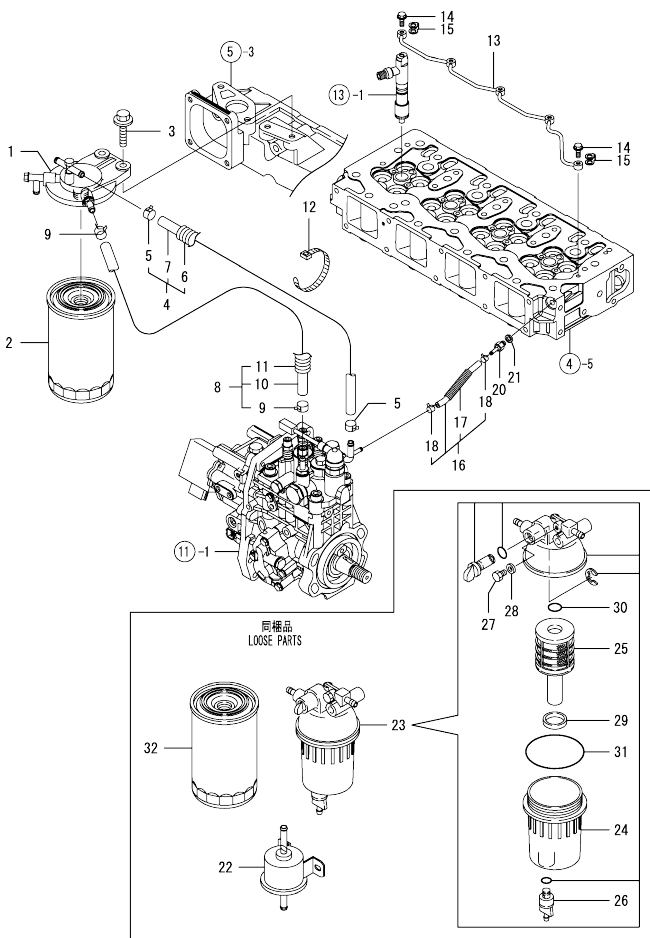
N:Old $\frac{New}{Old}$ New, Q:Old $\frac{New}{Old}$ New, R:Old $\frac{New}{Old}$ New, S:Old $\frac{New}{Old}$ New, W:Add, Z:Discontinued, F:Interchangeable by set, K:Q'ty Change
 Copyright (C) YANMAR GLOBAL CS CO., LTD. All Rights Reserved.

Fig.13. FUEL INJECTION VALVE



No.	Lev.	Parts No.	Description	Q'ty					
				(A)	(B)	(C)	(D)	(E)	(F)
1	1	729927-53100	FUEL INJECTOR ASSY	4					
2	2	129927-53000	NOZZLE ASSY, F.I.	4					
5	2	114250-53080	NUT, NOZZLE	4					
9	2	114250-53120	SPRING, NOZZLE	4					
10	2	114250-53130	SEAT, SPRING	4					
11	2	114250-53140	SPACER	4					
12	2	114250-53210	PIN	8					
13	2	114250-53400	SHIM SET	4					
25	1	123907-11601	SEAL, PIPE	4					
26	1	123472-59120	RETAINER, PIPE	2					
27	1	129150-59120	RETAINER, PIPE	1					
30	2	129150-59131	BOLT, M4X14	2					
32	1	129927-59810	PIPE ASSY, INJECTION	1					
33	1	129927-59820	PIPE ASSY, INJECTION	1					
34	1	129927-59830	PIPE ASSY, INJECTION	1					
35	1	129927-59840	PIPE ASSY, INJECTION	1					
36	1	26366-060002	NUT, M6	2					

Fig.14. FUEL PIPING

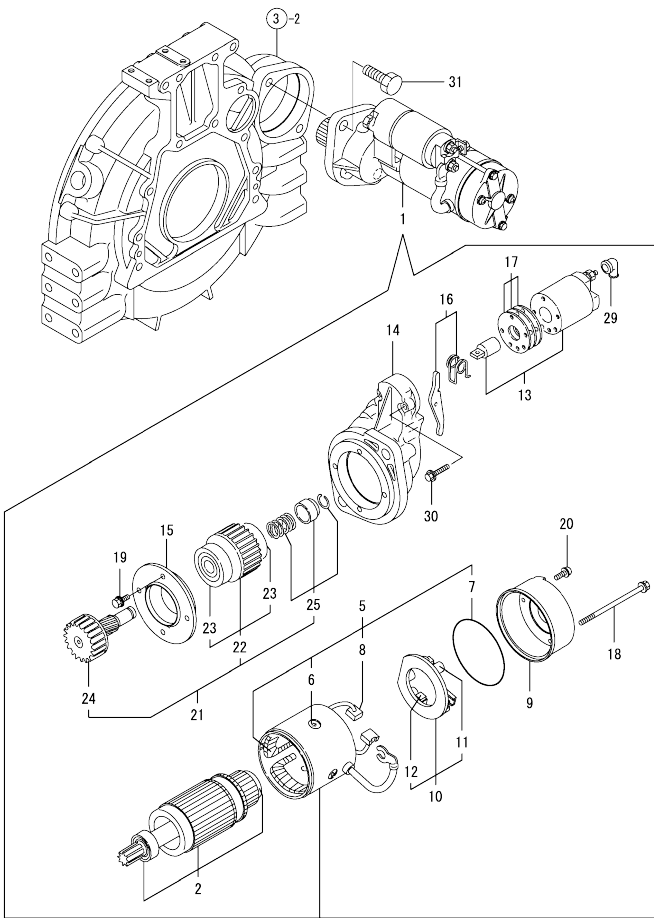


(A)=4TNV98-ZPLYS
(B)=
(C)=

(D)=
(E)=
(F)=

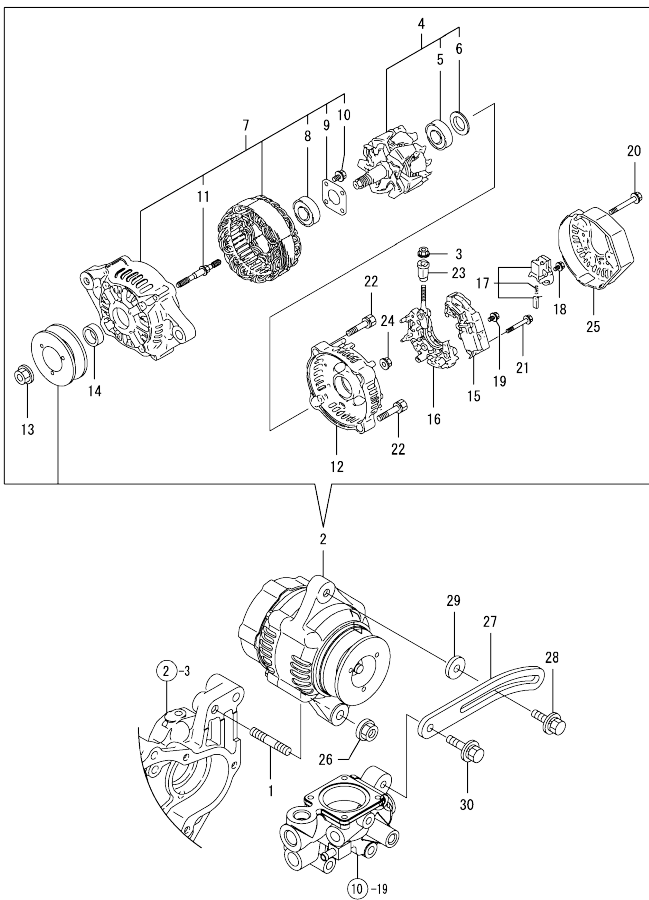
No.	Lev.	Parts No.	Description	Q'ty						I	R
				(A)	(B)	(C)	(D)	(E)	(F)		
1	1	129004-55612	BRACKET, FILTER	1							
2	1	129907-55801	FILTER, FUEL	1							
3	1	26106-080302	BOLT, M8X 30 PLATED	2							
4	1	129457-59010	HOSE ASSY, FUEL	1							
5	2	124766-59050	CLAMP, HOSE 11.5	2							
6	2	129957-59120	TUBE, CORRUGATED 15	1							
7	2	105025-59750	HOSE, FUEL	1							
8	1	129961-59310	HOSE ASSY, FUEL	1							
9	2	124766-59050	CLAMP, HOSE 11.5	2							
10	2	129136-59110	HOSE, D13/7.5X270	1							
11	2	129961-59110	TUBE, CORRUGATED 15	1							
12	1	121750-59890	BAND, NYLON	1							
13	1	129907-59140	PIPE ASSY, RETURN	1							
14	1	123907-59540	BOLT, PIPE JOINT M6	5							
15	1	123907-59550	GASKET	5							
16	1	129927-59550	HOSE ASSY RETURN	1							
17	2	129263-49750	TUBE, CORRUGATED	1							
18	2	124722-59050	CLAMP, HOSE 9	2							
20	1	123907-59560	JOINT, HOSE	1							
21	1	22190-080002	WASHER, SEAL 6	1							
22	1	119225-52102	PUMP, FUEL FEED	1							
23	1	129245-55700	SEPARATOR ASSY, WATER	1							
24	2	129245-55720	CUP ASSY, SEPARATOR	1							
25	2	129242-55730	ELEMENT, FUEL	1							
26	2	129242-55740	PLUG, DRAIN	1							
27	2	129242-55750	VALVE, AIR VENT	1							
28	2	129242-55760	GASKET, PLUG	1							
29	2	129242-55770	FLOAT	1							
30	2	24311-000160	O-RING, 1AP16.0	1							
31	2	24321-000750	O-RING, 1AG75.0	1							
32	1	129907-55801	FILTER, FUEL	1							

Fig.15. STARTER MOTOR



No.	Lev.	Parts No.	Description	Qty						I	R
				(A)	(B)	(C)	(D)	(E)	(F)		
1	1	129940-77010	STARTER ASSY	1							
2	2	129940-77100	ARMATURE ASSY	1							
5	2	129940-77130	COIL ASSY, FIELD	1							
6	3	129940-77140	SCREW, CORE SET	4							
7	3	129940-77150	O-RING	1							
8	3	129940-77160	BRUSH	2							
9	2	129940-77170	COVER	1							
10	2	129940-77180	HOLDER ASSY, BRUSH	1							
11	3	129940-77190	SPRING, BRUSH	1							
12	3	129940-77200	BRUSH	2							
13	2	129940-77210	SWITCH ASSY, MAGNET	1							
14	2	129940-77220	CASE, GEAR	1							
15	2	129940-77230	RETAINER, BEARING	1							
16	2	129940-77240	LEVER SET	1							
17	2	129940-77250	COVER KIT, DUST	1							
18	2	129940-77260	BOLT, THROUGH	2							
19	2	129940-77270	BOLT	4							
20	2	129940-77280	SCREW	2							
21	2	123900-77510	PINION ASSY	1							
22	3	123900-77520	CLUTCH ASSY	1							
23	4	X2240610100	BEARING, BALL	2							
24	3	123900-77540	SHAFT, PINION	1							
25	3	119131-77550	STOPPER SET, PINION	1							
29	2	121254-77810	COVER, TERMINAL	1							
30	2	114371-79070	BOLT	2							
31	1	26116-120252	BOLT, M12X 25 PLATED	2							

Fig.16. GENERATOR

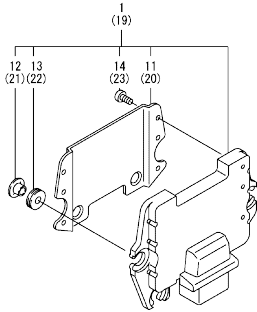


(A)=4TNV98-ZPLYS
(B)=
(C)=

(D)=
(E)=
(F)=

No.	Lev.	Parts No.	Description	Qty						I	R
				(A)	(B)	(C)	(D)	(E)	(F)		
1	1	129795-01900	BOLT, STUD M10X33	1							
2	1	123951-77200	GENERATOR ASSY, 55A	1							
3	2	X9490561001	NUT	1							
4	2	129052-77380	ROTOR ASSY	1							
5	3	125301-79240	BEARING, BALL	1							
6	3	119620-79250	COVER, BEARING	1							
7	2	129052-77421	FRAME ASSY	1							
8	3	119620-79200	BEARING, BALL	1							
9	3	119620-79210	RETAINER	1							
10	3	119620-79220	SCREW	4							
11	3	119620-79230	BOLT, STUD	2							
12	2	128401-77440	COVER	1							
13	2	119620-77470	NUT	1							
14	2	119620-77490	COLLAR	1							
15	2	119626-77710	REGULATOR ASSY	1							
16	2	129052-79260	HOLDER	1							
17	2	129052-79270	HOLDER, BRUSH	1							
18	2	119620-79290	SCREW	6							
19	2	119620-79300	SCREW	1							
20	2	119620-79310	BOLT	3							
21	2	119620-79320	SCREW	2							
22	2	119620-79330	BOLT	2							
23	2	119620-79340	BUSH, INSULATION	1							
24	2	119620-79350	NUT	2							
25	2	119626-77450	FRAME	1							
26	1	26306-100002	NUT, M10	1							
27	1	129916-77300	ADJUSTER, BELT	1							
28	1	119810-77340	BOLT, ADJUST L=30	1							
29	1	121236-77340	SPACER	1							
30	1	26014-080302	BOLT, M8X 30	1							

Fig.17. ELECTRONIC CONTROL UNIT(ECU)



No.	Lev.	Parts No.	Description	Q'ty						I	R
				(A)	(B)	(C)	(D)	(E)	(F)		
1	1	129939-75180	ECU ASSY	1							1
11	2	129927-77600	SHIELD, ECU	1							
12	2	129927-77680	COLLAR, CONTROL	3							
13	2	119578-91351	ABSORBER	3							
14	2	22877-500080	SCREW, 5X 8	6							
19	1	129927-75900	ECU ASSY, SERVICE	1							2
20	2	129927-77600	SHIELD, ECU	1							
21	2	129927-77680	COLLAR, CONTROL	3							
22	2	119578-91351	ABSORBER	3							
23	2	22877-500080	SCREW, 5X 8	6							

(A)=4TNV98-ZPLYS
(B)=
(C)=

(D)=
(E)=
(F)=

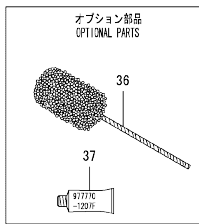
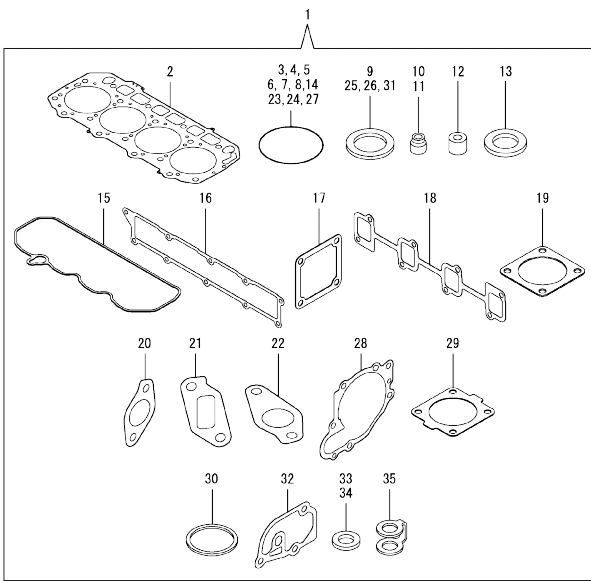
Remarks

- (1)Eco ECU
This part cannot be ordered.
- Replace the part using a Service ECU with the proper engine information installed.
- (2)Service ECU
If the proper information is not installed, the engine will not operate.
- To install proper information, go to an authorized distributor.

Fig.18. GASKET SET

(A)=4TNV98-ZPLYS
(B)=
(C)=

(D)=
(E)=
(F)=

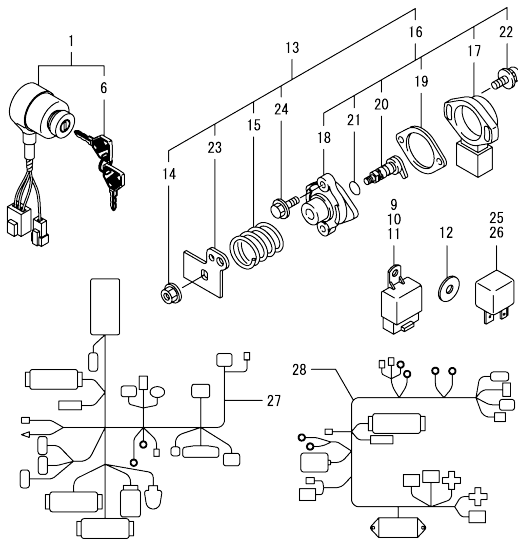


No.	Lev.	Parts No.	Description	Qty						I	R	
				(A)	(B)	(C)	(D)	(E)	(F)			
1	1	729927-92820	GASKET SET	1							1	
2	2	129907-01331	GASKET, HEAD	1								
3	2	129900-32030	O-RING, P20	2								
4	2	129900-32040	O-RING, P14	1								
5	2	24311-000070	O-RING, 1AP7.0	1								
6	2	24351-030750	O-RING, 1A3075	1								
7	2	24311-000320	O-RING, 1AP32.0	2								
8	2	24321-000850	O-RING, 1AG85.0	1								
9	2	22190-220002	WASHER, SEAL 22	1								
10	2	119803-11340	SEAL, VALVE STEM	8								
11	2	124160-11340	SEAL, VALVE STEM	8								
12	2	119802-11870	PROTECTOR, NOZZLE	4								
13	2	119625-11880	SEAT, NOZZLE	4								
14	2	24311-000120	O-RING, 1AP12.0	8								
15	2	129933-11310	GASKET, BONNET	1								
16	2	129907-12110	GASKET, MANIFOLD	1								
17	2	121850-77021	GASKET, AIR HEATER	1								
18	2	129900-13251	GASKET, EXH.MANIFOLD	1								
19	2	129400-13201	GASKET, SILENCER	1								
20	2	129927-13810	GASKET	1								
21	2	129927-13910	GASKET, EGR	1								
22	2	129927-13920	GASKET, EGR	1								
23	2	24341-000530	O-RING, 1AS53.0	1								
24	2	24311-240100	O-RING, 1AP10A	1								
25	2	22190-080002	WASHER, SEAL 6	9								
26	2	22190-300002	WASHER, SEAL 30	1								
27	2	24321-000600	O-RING, 1AG60.0	1								
28	2	129900-42020	GASKET, WATER PUMP	1								
29	2	121850-49540	GASKET, THERMOSTAT	1								
30	2	121850-49550	GASKET, THERMOSTAT	1								
31	2	22190-120002	WASHER, SEAL 12	1								
32	2	129900-49870	GASKET, THERMOSTAT	1								
33	2	23414-080000	GASKET, 8X1.0	1								
34	2	124465-44950	GASKET, 16	2								
35	2	123907-59550	GASKET	5								
36	1	129400-92450	HONE, FLEX	1								1
37	1	977770-1207F	GASKET,LIQUID	1								1

Remarks

(1)Optional parts.

Fig.19. BUNDLED ITEMS



(A)=4TNV98-ZPLYS
(B)=
(C)=

(D)=
(E)=
(F)=

No.	Lev.	Parts No.	Description	Q'ty					
				(A)	(B)	(C)	(D)	(E)	(F)
1	1	194940-52110	SWITCH, STARTING	1					
6	2	198360-52160	KEY ASSY, SPARE	1					
9	1	198461-52950	RELAY, CA TYPE C	1					
10	1	198461-52950	RELAY, CA TYPE C	1					
11	1	198461-52950	RELAY, CA TYPE C	1					
12	1	129927-77690	WASHER, ECU	3					
13	1	129938-77800	SENSOR ASSY, ACCEL	1					
14	2	194990-22130	NUT, M6	1					
15	2	119060-61990	SPRING, RETURN	1					
16	2	129054-77800	SENSOR ASSY, ACCEL	1					
17	3	185100-50070	BODY	1					
18	3	129054-77811	SUPPORT, SENSOR	1					
19	3	129054-77820	GASKET	1					
20	3	129054-77830	SHAFT ASSY	1					
21	3	24311-000070	O-RING, 1AP7.0	1					
22	3	26023-040202	SCREW, M4X20	2					
23	2	129938-77810	LEVER, SENSOR	1					
24	2	26106-060122	BOLT, M6X 12 PLATED	2					
25	1	129927-77920	RELAY, ISO 70A	1					
26	1	129927-77920	RELAY, ISO 70A	1					
27	1	129927-91040	HARNESS, WIRE	1					
28	1	129927-91050	HARNESS, WIRE	1					

Parts No. Index

Parts No.	Fig. No.	Ref. No.	Parts No.	Fig. No.	Ref. No.	Parts No.	Fig. No.	Ref. No.	Parts No.	Fig. No.	Ref. No.
105010-39140	9	26	119802-51680	11	65	124160-11340	4	17	129418-18320	6	4
105025-59750	14	7	119802-51690	11	66		18	11	129457-59010	14	4
114250-53080	13	5	119803-11340	4	16	124160-11360	4	67	129612-12650	5	14
114250-53120	13	9		18	10	124465-44950	10	37	129657-51590	11	60
114250-53130	13	10	119810-77340	16	28		18	34	129657-51600	11	61
114250-53140	13	11	119852-51630	11	70	124722-59050	14	18	129795-01900	16	1
114250-53210	13	12	119852-51640	11	71	124766-59050	14	5	129900-01200	1	27
114250-53400	13	13	119852-51650	11	73			9	129900-01250	1	4
114371-79070	15	30	119934-59910	11	130	125301-79240	16	5	129900-01620	3	2
119000-35140	9	6	120130-22301	8	21	128401-77440	16	12	129900-01850	2	36
		32	121023-26070	2	30	129001-91810	2	38	129900-01870	2	37
119060-61990	19	15	121236-77340	16	29	129004-55612	14	1	129900-02020	1	6
119131-18320	6	3	121254-77810	15	29	129005-59830	9	20	129900-02341	1	32
119131-77550	15	25	121450-42450	10	36	129008-61301	12	27	129900-02410	1	9
119140-12680	5	15	121750-59890	14	12	129052-77380	16	4	129900-02931	1	24
119160-12530	5	11	121850-21130	8	11	129052-77421	16	7	129900-02941	1	35
119160-12540	5	12	121850-21290	8	4	129052-79260	16	16	129900-07900	4	1
119160-12570	5	13	121850-21920	8	5	129052-79270	16	17	129900-13251	6	6
		24	121850-49540	10	23	129054-77800	19	16		18	18
119225-52102	14	22		18	29	129054-77811	19	18	129900-14110	7	6
119260-34810	9	2	121850-49550	10	25	129054-77820	19	19	129900-14140	2	41
119578-91351	17	13		18	30	129054-77830	19	20	129900-21220	8	3
		22	121850-49810	10	26	129100-01580	2	1	129900-21600	8	14
119593-11301	4	31	121850-77021	5	20		3	1	129900-23001	8	23
119620-01750	3	4		18	17	129136-59110	14	10	129900-23200	8	26
119620-11180	4	15	123472-59120	13	26	129150-02450	7	4	129900-23601	8	27
119620-77470	16	13	123900-25060	7	9	129150-11230	4	39	129900-23611	8	30
119620-77490	16	14	123900-42470	10	14			43	129900-23911	8	29
119620-79200	16	8	123900-44740	10	16	129150-11750	4	20	129900-25110	7	10
119620-79210	16	9	123900-44761	10	17			40	129900-26030	7	20
119620-79220	16	10	123900-77510	15	21			44	129900-26250	2	42
119620-79230	16	11	123900-77520	15	22	129150-14200	7	1	129900-32001	2	4
119620-79250	16	6	123900-77540	15	24	129150-25920	7	13	129900-32030	2	16
119620-79290	16	18	123907-03100	4	56	129150-35153	9	7		9	8
119620-79300	16	19	123907-03110	4	57			33		18	3
119620-79310	16	20	123907-03120	4	58	129150-59120	13	27	129900-32040	2	17
119620-79320	16	21	123907-03140	4	59	129150-59131	13	30		18	4
119620-79330	16	22	123907-11280	4	36	129242-55730	14	25	129900-35000	9	9
119620-79340	16	23	123907-11550	4	4	129242-55740	14	26	129900-42020	10	1
119620-79350	16	24	123907-11601	13	25	129242-55750	14	27		18	28
119625-11880	4	27	123907-11820	4	22	129242-55760	14	28	129900-49870	10	31
		18	123907-11830	4	21	129242-55770	14	29		18	32
119626-77450	16	25	123907-39500	9	18	129245-55700	14	23	129902-01710	3	8
119626-77710	16	15	123907-59540	14	14	129245-55720	14	24	129902-21050	8	1
119640-01640	3	9	123907-59550	14	15	129263-13210	6	5	129906-51580	11	58
119640-61400	4	62		18	35	129263-49750	14	17	129907-01331	1	28
119761-39450	9	15	123907-59560	14	20	129263-77941	11	123		18	2
119802-11870	4	26	123951-77200	16	2	129400-13201	6	9	129907-03011	4	53
		18	124160-01751	2	24		18	19	129907-03061	4	54
119802-13680	6	7		4	51	129400-92450	18	36	129907-03070	4	55

Parts No. Index

Parts No.	Fig. No.	Ref. No.
129907-11100	4	12
129907-11110	4	13
129907-11120	4	14
129907-11250	4	33
129907-11260	4	34
129907-11270	4	35
129907-11341	4	32
129907-11510	4	18
129907-11650	4	37
129907-11660	4	41
129907-11800	4	25
129907-11910	4	28
129907-11920	4	45
129907-11950	4	29
129907-12110	5	1
	18	16
129907-14400	7	2
129907-25900	7	16
129907-51560	11	55
129907-55801	14	2
		32
129907-59140	14	13
129908-13650	6	11
129908-14590	7	3
129910-07900	4	2
129915-77051	5	21
129916-01790	3	7
129916-01800	2	35
129916-21610	8	7
129916-49530	10	22
129916-77300	16	27
129927-11320	4	52
129927-11700	4	5
129927-12100	5	3
129927-12150	5	2
129927-12560	5	8
129927-13100	6	2
129927-13150	6	1
129927-13800	6	18
129927-13810	6	19
	18	20
129927-13900	6	22
129927-13910	6	23
	18	21
129927-13920	6	24
	18	22
129927-22050	8	17
129927-22080	8	15
129927-39060	9	16
129927-42140	2	17 A

Parts No.	Fig. No.	Ref. No.
129927-44900	10	20
129927-49610	10	38
129927-49620	10	42
129927-49800	10	19
129927-51250	11	137
129927-51390	11	22
129927-51650	11	121
129927-51660	11	122
129927-51670	11	125
129927-53000	13	2
129927-59550	14	16
129927-59810	13	32
129927-59820	13	33
129927-59830	13	34
129927-59840	13	35
129927-75900	17	19
129927-77600	17	11
		20
129927-77680	17	12
		21
129927-77690	19	12
129927-77920	19	25
		26
129927-91040	19	27
129927-91050	19	28
129928-34850	9	3
129930-39050	9	25
129933-11310	4	61
	18	15
129935-12520	5	10
		23
129938-77800	19	13
129938-77810	19	23
129939-01510	2	3
129939-12070	5	7
129939-12570	5	9
129939-26010	7	20
129939-35130	9	31
129939-75180	17	1
129940-77010	15	1
129940-77100	15	2
129940-77130	15	5
129940-77140	15	6
129940-77150	15	7
129940-77160	15	8
129940-77170	15	9
129940-77180	15	10
129940-77190	15	11
129940-77200	15	12
129940-77210	15	13

Parts No.	Fig. No.	Ref. No.
129940-77220	15	14
129940-77230	15	15
129940-77240	15	16
129940-77250	15	17
129940-77260	15	18
129940-77270	15	19
129940-77280	15	20
129944-07900	4	2 -1
129944-13510	6	10
129944-13650	6	12
129944-21650	8	9
129944-35110	9	28
129944-35210	9	34
129944-39101	9	37
129948-42100	10	2
129948-42240	10	15
129951-01740	2	26
129951-34801	9	1
129953-21570	8	12
129953-25300	7	15
129953-39101	9	38
129953-39500	9	30
		36
129957-59120	14	6
129960-21640	8	8
129961-59110	14	11
129961-59310	14	8
144626-51090	11	10
158552-51571	11	56
158552-51580	11	59
158552-51670	11	126
158552-51781	11	98
158552-52100	11	128
158552-52310	11	106
158552-52400	11	107
158552-52500	11	129
158553-51670	11	64
158553-51680	11	76
158553-61780	12	28
158557-51570	11	57
158557-61720	12	15
158560-51600	11	69
158560-61050	12	2
158563-51150	7	17
	11	13
158563-51281	11	20
		21
158563-51330	11	32
158600-51270	11	19
158601-51550	11	54

Parts No.	Fig. No.	Ref. No.
158601-51650	11	124
158601-51770	11	97
158601-51790	11	99
171051-01921	1	5
171056-49120	10	35
175339-79700	4	63
185100-50070	19	17
194940-52110	19	1
194990-22130	19	14
198360-52160	19	6
198461-52950	19	9
		10
		11
22190-080002	9	21
		23
		27
	14	21
	18	25
22190-120002	10	28
	11	101
		108
		131
	18	31
22190-180002	11	102
22190-220002	3	11
	18	9
22190-300002	9	39
	18	26
22217-050000	11	132
22217-180000	7	18
	11	109
22252-000300	8	22
22312-050140	11	110
22351-050010	11	111
22351-060012	1	11
22512-070140	7	7
	8	6
22857-500100	4	64
		65
22877-500080	17	14
		23
23000-080000	5	16
23000-090000	5	17
23080-012000	10	41
		45
23414-080000	10	32
	18	33
23414-120000	12	20
23857-030000	9	22
23875-030000	10	29

Parts No. Index

Parts No.	Fig. No.	Ref. No.
23876-020000	4	9
23876-030000	1	12
		13
		14
	4	10
23887-120002	11	103
	12	21
24311-000070	2	18
	11	112
	18	5
	19	21
24311-000120	4	30
		68
	18	14
24311-000160	14	30
24311-000320	2	25
	4	69
	18	7
24311-240100	9	4
	18	24
24321-000600	9	40
	18	27
24321-000750	14	31
24321-000850	2	31
	18	8
24341-000480	12	23
24341-000530	8	10
	18	23
24351-030750	2	19
	18	6
24356-010200	11	67
		113
24356-020210	11	114
24372-000150	11	68
26013-080222	5	18
		19
26014-080302	16	30
26023-040202	19	22
26106-060102	11	115
26106-060122	4	66
	11	133
	19	24
	12	24
26106-060162	10	30
26106-060202	12	29
26106-060252	10	12
26106-060302	11	116
26106-060352	3	12
26106-080122	9	14
		24

Parts No.	Fig. No.	Ref. No.
26106-080122	10	33
26106-080162	2	20
		39
	4	3
		3 -1
	6	13
		14
	7	8
	9	5
26106-080182	4	3 -2
26106-080202	2	21
		27
	6	15
	11	138
26106-080252	12	25
26106-080302	11	139
	14	3
26106-080352	5	22
26106-080402	2	40
	4	47
26106-080452	2	22
		28
	5	5
26106-080552	7	14
	10	13
26106-080602	4	48
		49
	10	34
26106-080752	2	29
26106-080802	5	6
26106-100202	2	32
26106-100302	6	20
		25
26106-100452	10	18
26106-100952	6	26
26116-120252	15	31
26206-100352	3	5
26206-100702	3	6
26216-060202	5	4
26216-100302	2	15
26226-080222	4	46
26306-080002	4	50
	6	8
		16
		17
		21
26306-100002	2	23
	16	26
26366-060002	13	36
26450-100452	11	117

Parts No.	Fig. No.	Ref. No.
26716-050002	11	134
26776-180002	7	19
	11	118
	11	135
27241-160000	1	10
27241-300000	4	11
27310-070001	4	23
729900-02801	1	29
729907-01559	2	33
729927-01560	1	1
729927-22900	8	32
729927-22950	8	34
729927-53100	13	1
729927-92820	18	1
729939-51360	11	1
977770-1207F	18	37
X2240610100	15	23
X9490561001	16	3

Parts No.	Fig. No.	Ref. No.
-----------	----------	----------